

US00D850274S

(12) **United States Design Patent**  
**Li**

(10) **Patent No.:** **US D850,274 S**

(45) **Date of Patent:** **\*\* Jun. 4, 2019**

(54) **BOTTLE**

(71) Applicant: **IMMANUEL INDUSTRIAL CO., LTD.**, Tainan (TW)

(72) Inventor: **Kun-Yi Li**, Tainan (TW)

(73) Assignee: **Immanuel Industrial Co., Ltd.**, Tainan (TW)

(\*\*) Term: **15 Years**

(21) Appl. No.: **29/627,519**

(22) Filed: **Nov. 28, 2017**

(51) **LOC (11) Cl.** ..... **09-01**

(52) **U.S. Cl.**  
USPC ..... **D9/546**

(58) **Field of Classification Search**  
USPC ..... D4/116; D6/515-516, 542-545;  
D7/300-322, 391-396.2, 509-511, 523,  
D7/589, 598, 612, 615, 619.1; D9/435,  
D9/436, 439, 440, 443, 447, 454, 500,  
D9/503-505, 516-575, 763-783;  
D24/197; D28/7, 57, 73, 76-91.1;  
215/40-55, 316-354, 370-385;  
220/574-575

CPC ..... B65D 1/00; B65D 1/02; B65D 1/0223;  
B65D 1/023; B65D 1/0276

See application file for complete search history.

(56) **References Cited**

**U.S. PATENT DOCUMENTS**

D39,897 S *	3/1909	Passano	.....	D9/544
D89,681 S *	4/1933	Crimmel et al.	.....	D9/544
D291,778 S *	9/1987	Rosenwinkel	.....	D9/542
D311,653 S *	10/1990	Lindauer	.....	D6/542
D481,957 S *	11/2003	Modjeski	.....	D9/560
D483,265 S *	12/2003	Maffei	.....	D9/500

D527,647 S *	9/2006	Blank	.....	D9/563
D529,813 S *	10/2006	Modjeski	.....	D9/546
D530,216 S *	10/2006	Modjeski	.....	D9/566
D537,725 S *	3/2007	Varlet	.....	D9/544
D545,206 S *	6/2007	Brown	.....	D9/544
D603,716 S *	11/2009	Rica	.....	D9/560
D604,629 S *	11/2009	Aebi	.....	D9/454
D642,927 S *	8/2011	Foster	.....	D9/558
D656,830 S *	4/2012	Rodrigeuz	.....	D9/520
D665,262 S *	8/2012	Regas	.....	D9/516
D724,438 S *	3/2015	Gaydon	.....	D9/544
D730,739 S *	6/2015	Ginzburg	.....	D9/574
D749,424 S *	2/2016	Carroll	.....	D9/544
D757,560 S *	5/2016	Venturini Fendi	.....	D9/435
D784,149 S *	4/2017	Funk	.....	D9/520
D790,087 S *	6/2017	Tyson	.....	D26/22
D795,360 S *	8/2017	Ahn	.....	D21/499
D796,962 S *	9/2017	Gonzalez Rodriguez	.....	D9/544
D798,726 S *	10/2017	Liu	.....	D9/566
D812,483 S *	3/2018	Hernandez	.....	D9/574

(Continued)

*Primary Examiner* — Cathron C Brooks

*Assistant Examiner* — Christian P. McLean

(74) *Attorney, Agent, or Firm* — Rosenberg, Klein & Lee

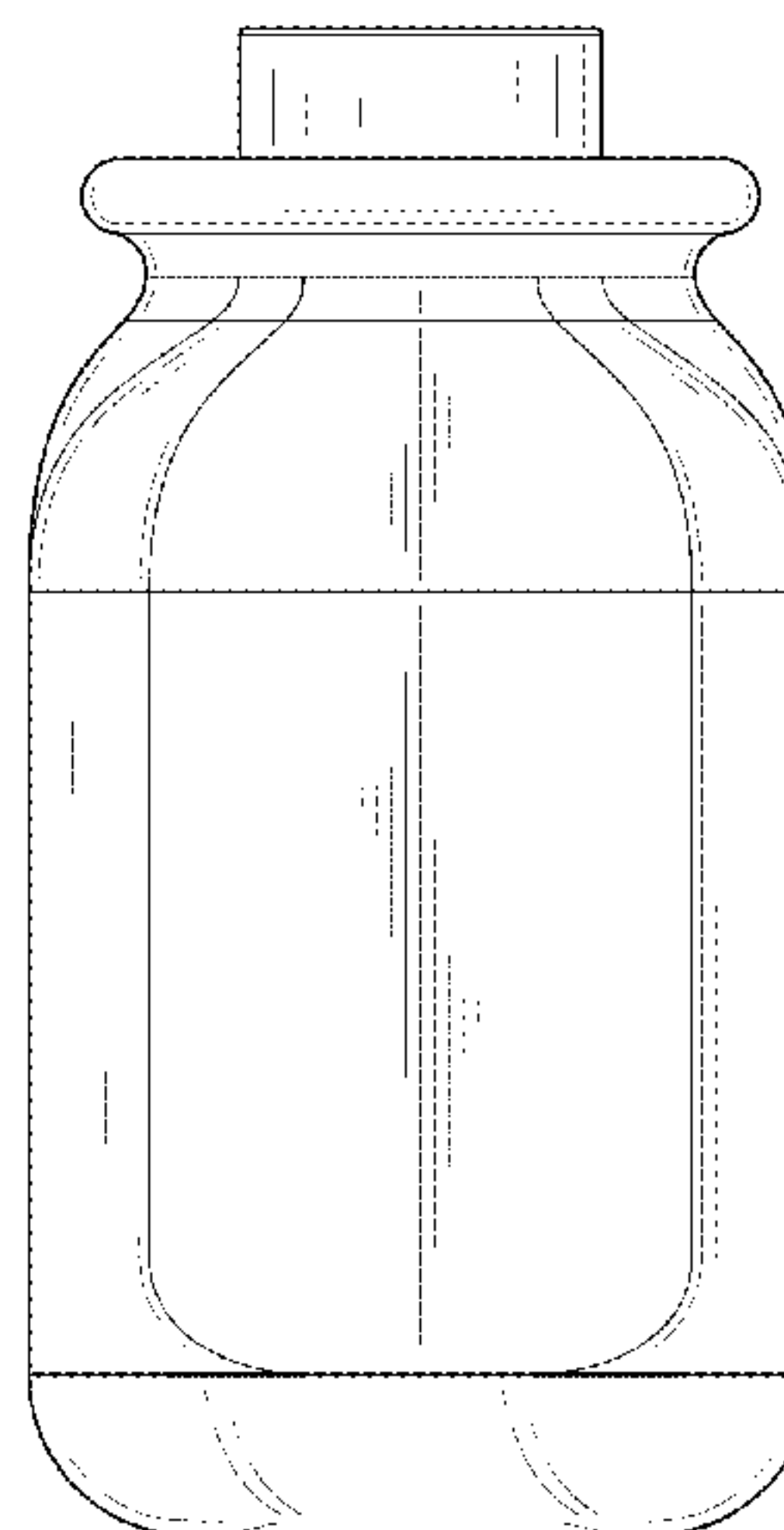
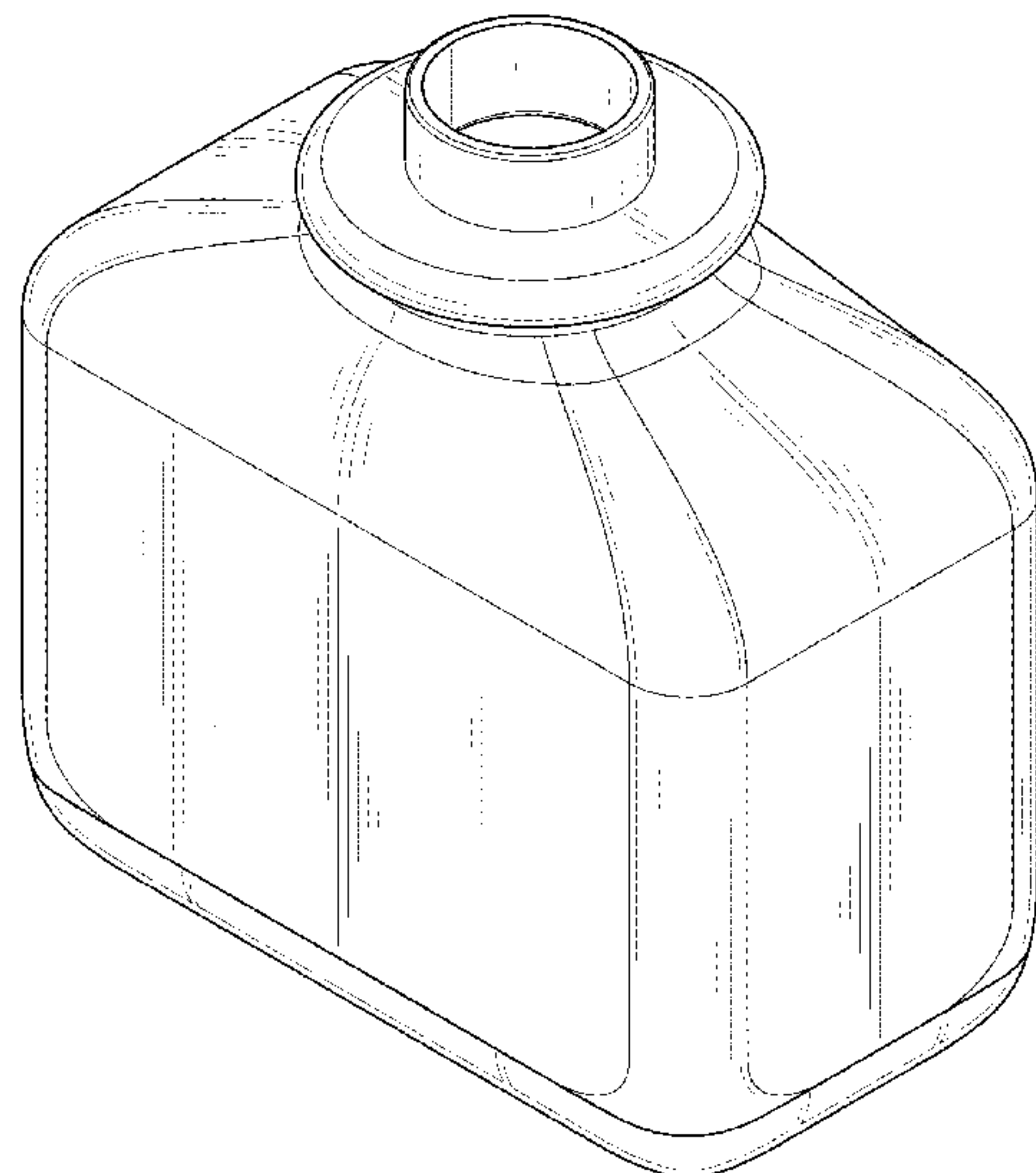
(57) **CLAIM**

The ornamental design for a bottle, as shown and described.

**DESCRIPTION**

FIG. 1 is a perspective view of my new design for a bottle;  
FIG. 2 is a front view thereof;  
FIG. 3 is a rear view thereof;  
FIG. 4 is a left view thereof;  
FIG. 5 is a right view thereof;  
FIG. 6 is a top plan view thereof;  
FIG. 7 is a bottom plan view thereof; and,  
FIG. 8 is a cutaway view for 8-8 in FIG. 6 thereof.  
The broken lines in the drawings form no part of the claimed design.

**1 Claim, 8 Drawing Sheets**



(56)

**References Cited**

U.S. PATENT DOCUMENTS

2013/0098863 A1\* 4/2013 Wilkes ..... B65D 75/5883  
215/44  
2013/0292355 A1\* 11/2013 Lausted ..... B65D 1/0292  
215/381

\* cited by examiner

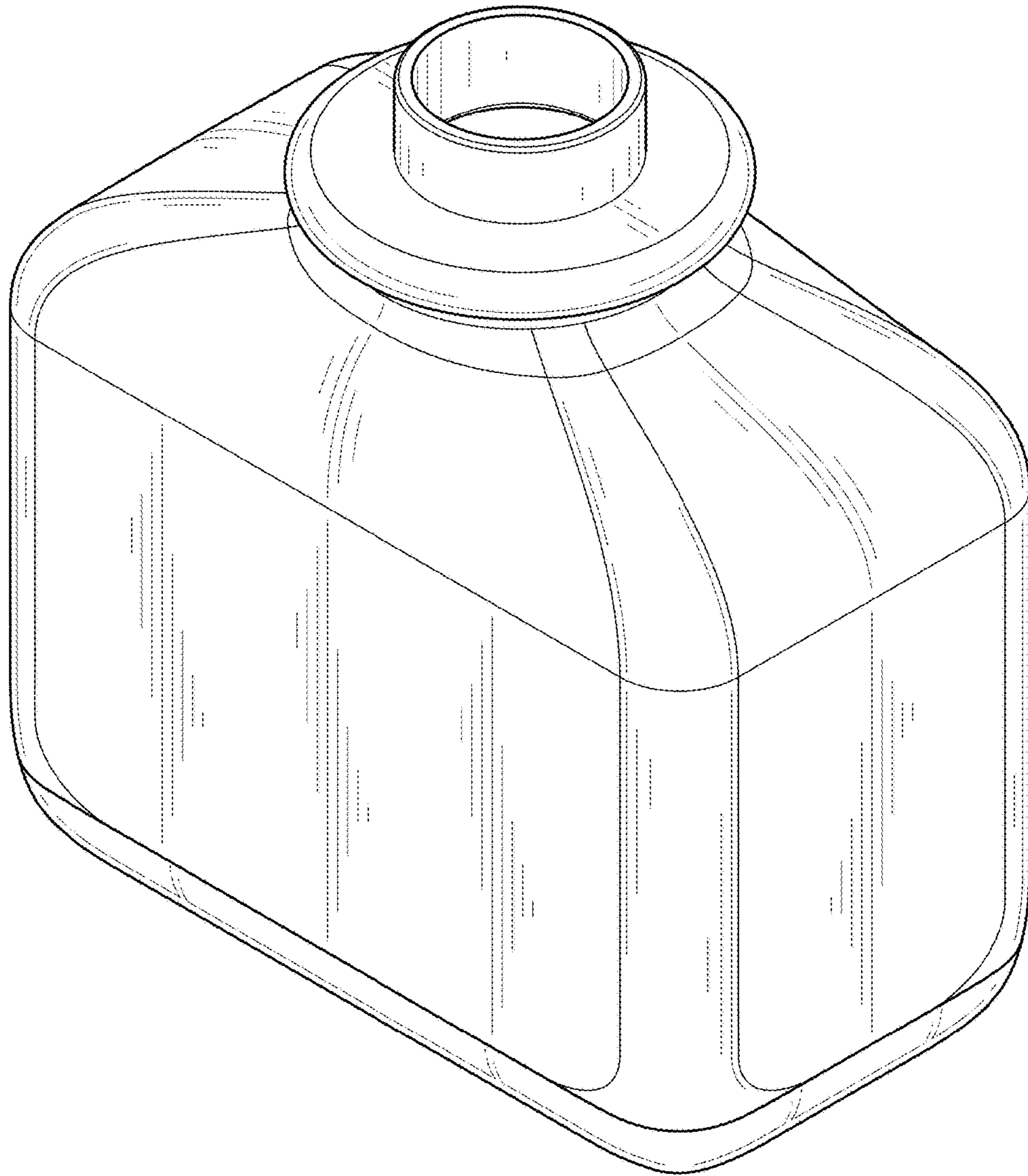


FIG. 1

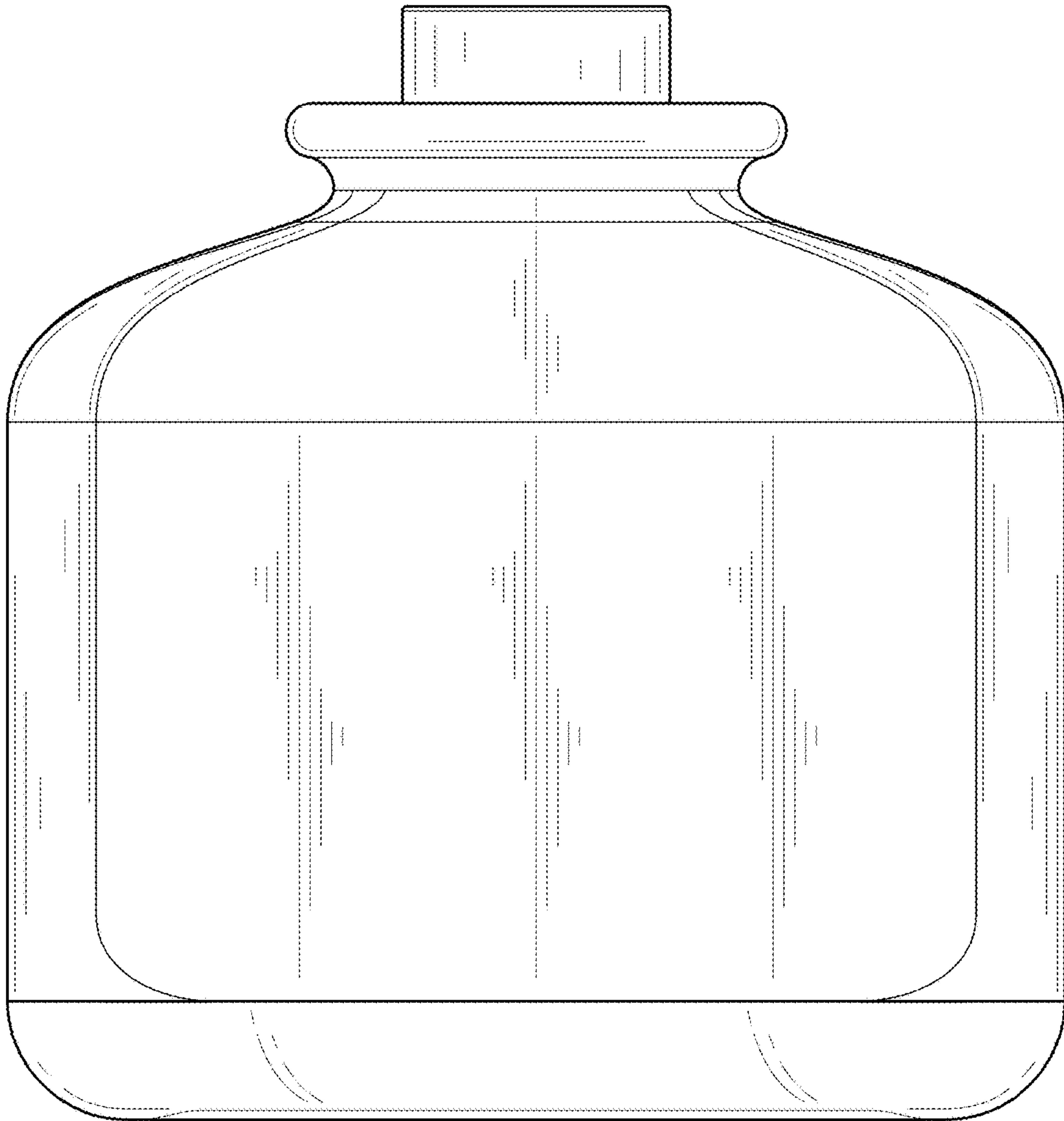


FIG. 2

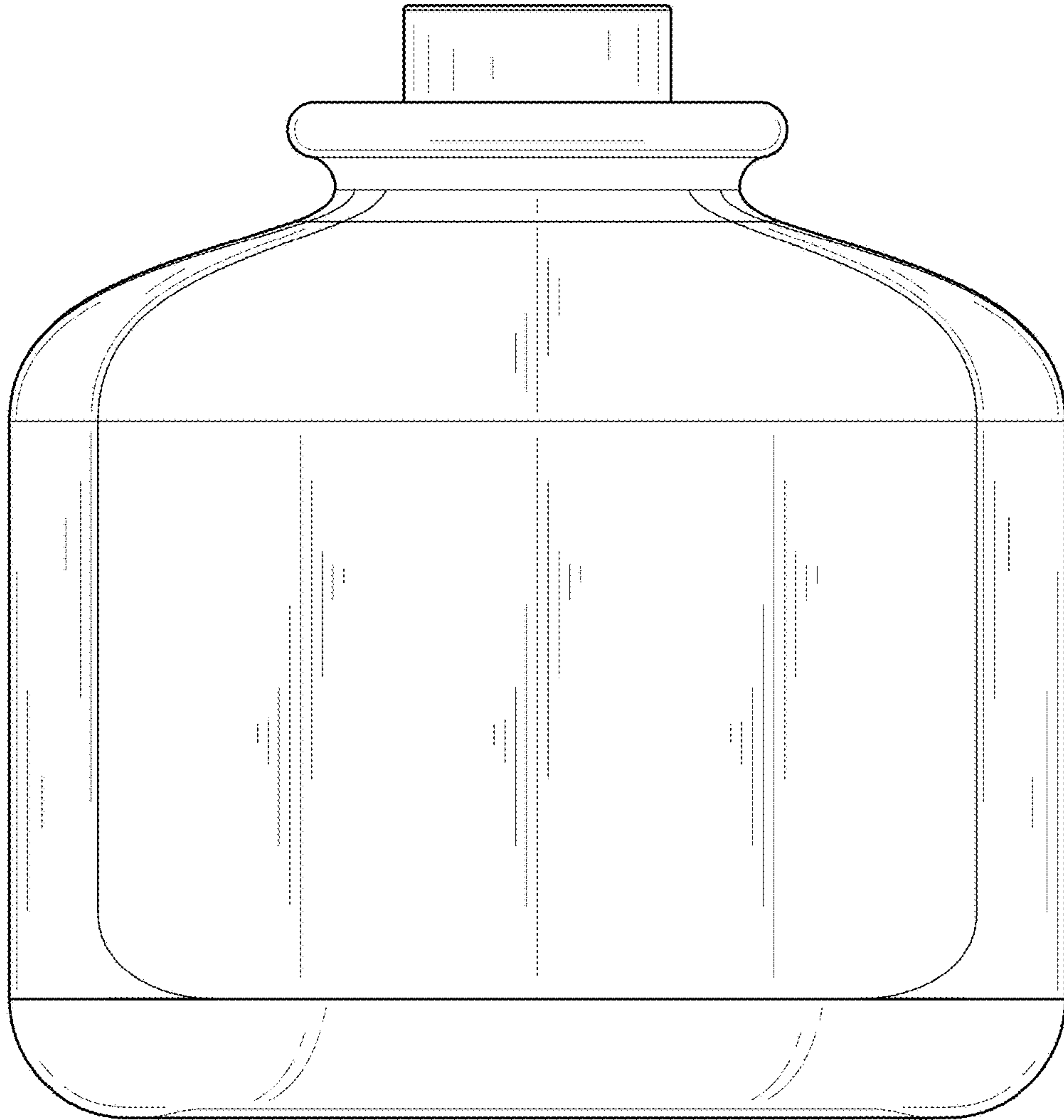


FIG. 3



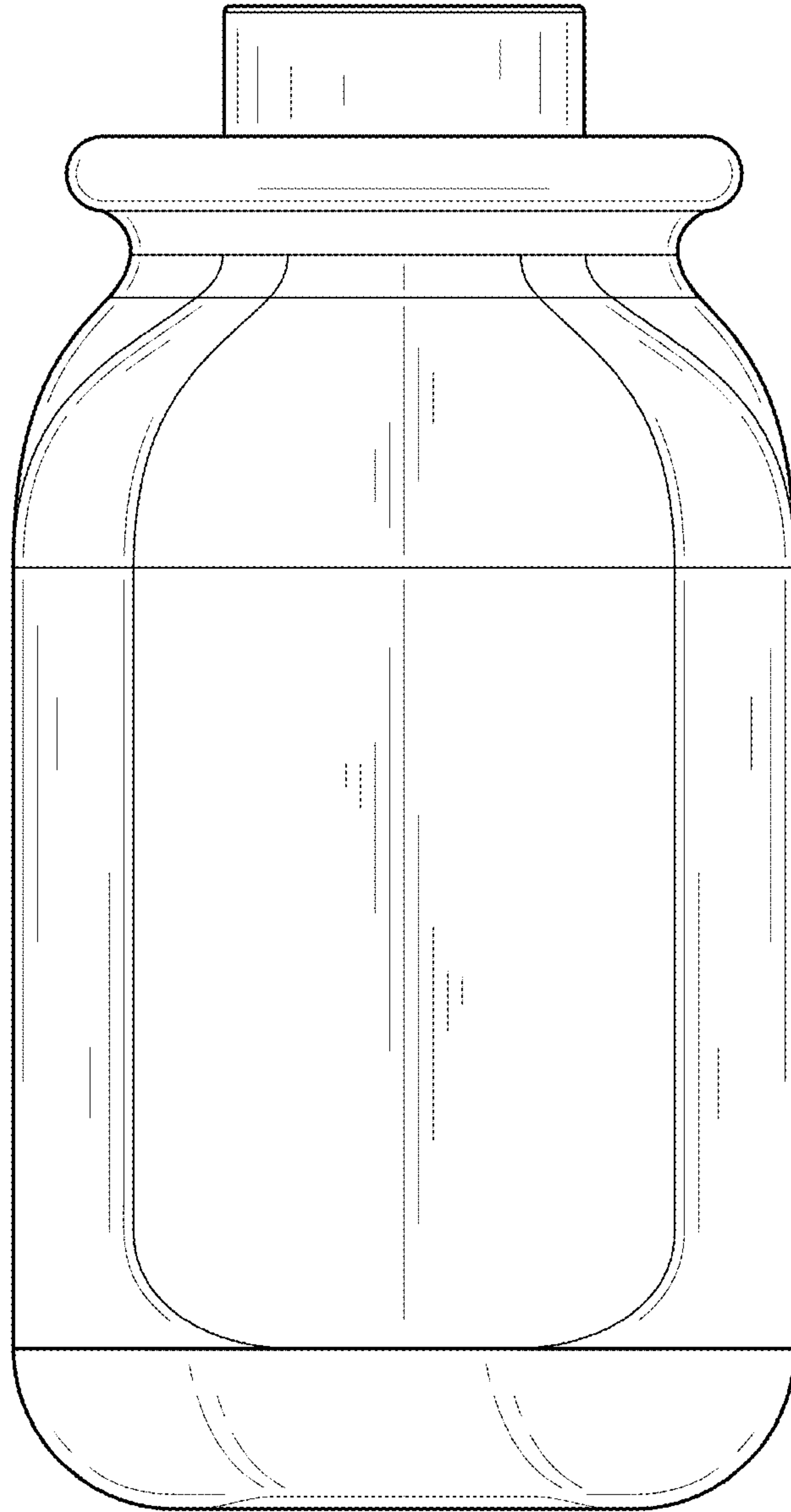


FIG. 4

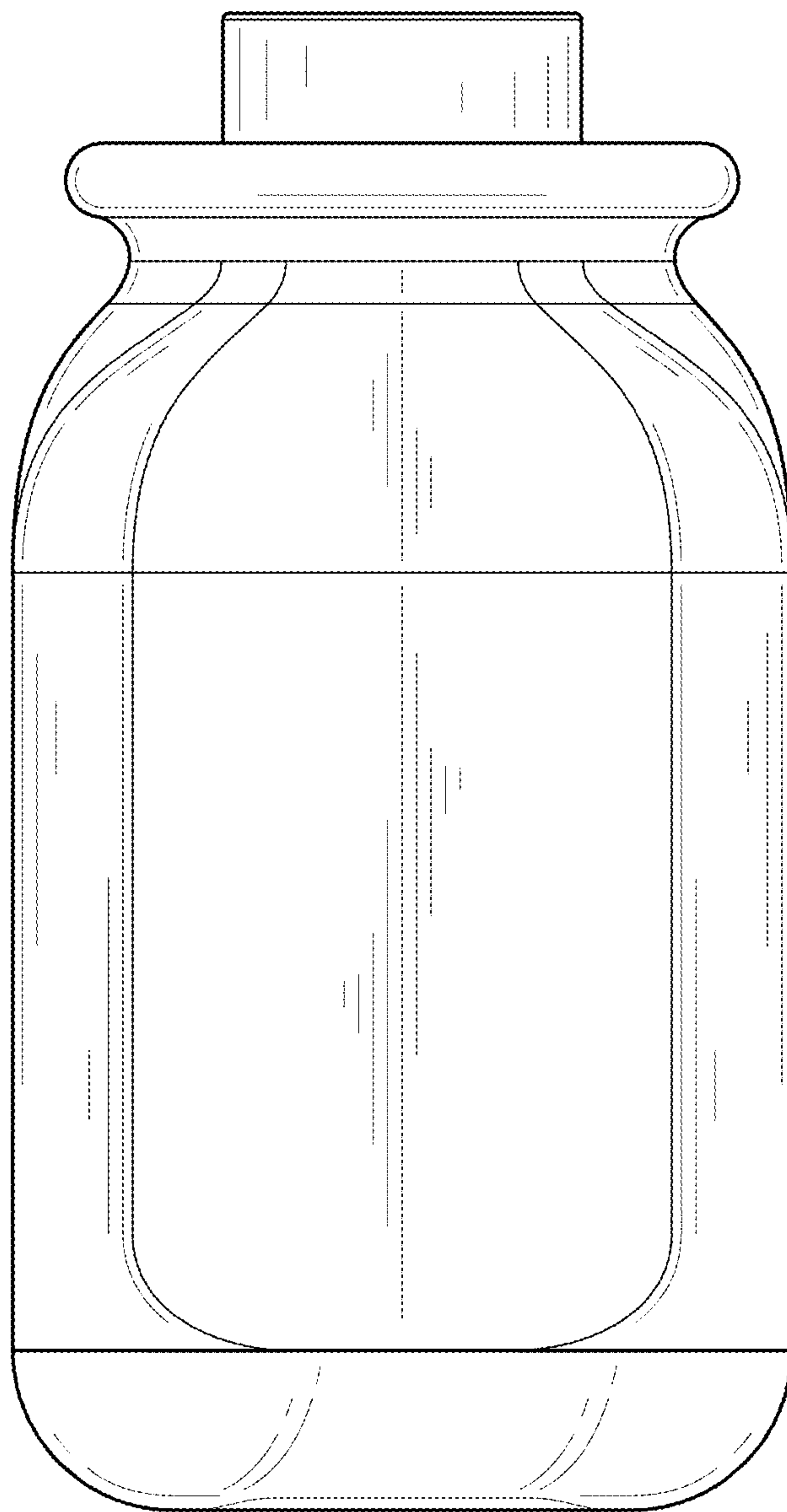


FIG. 5

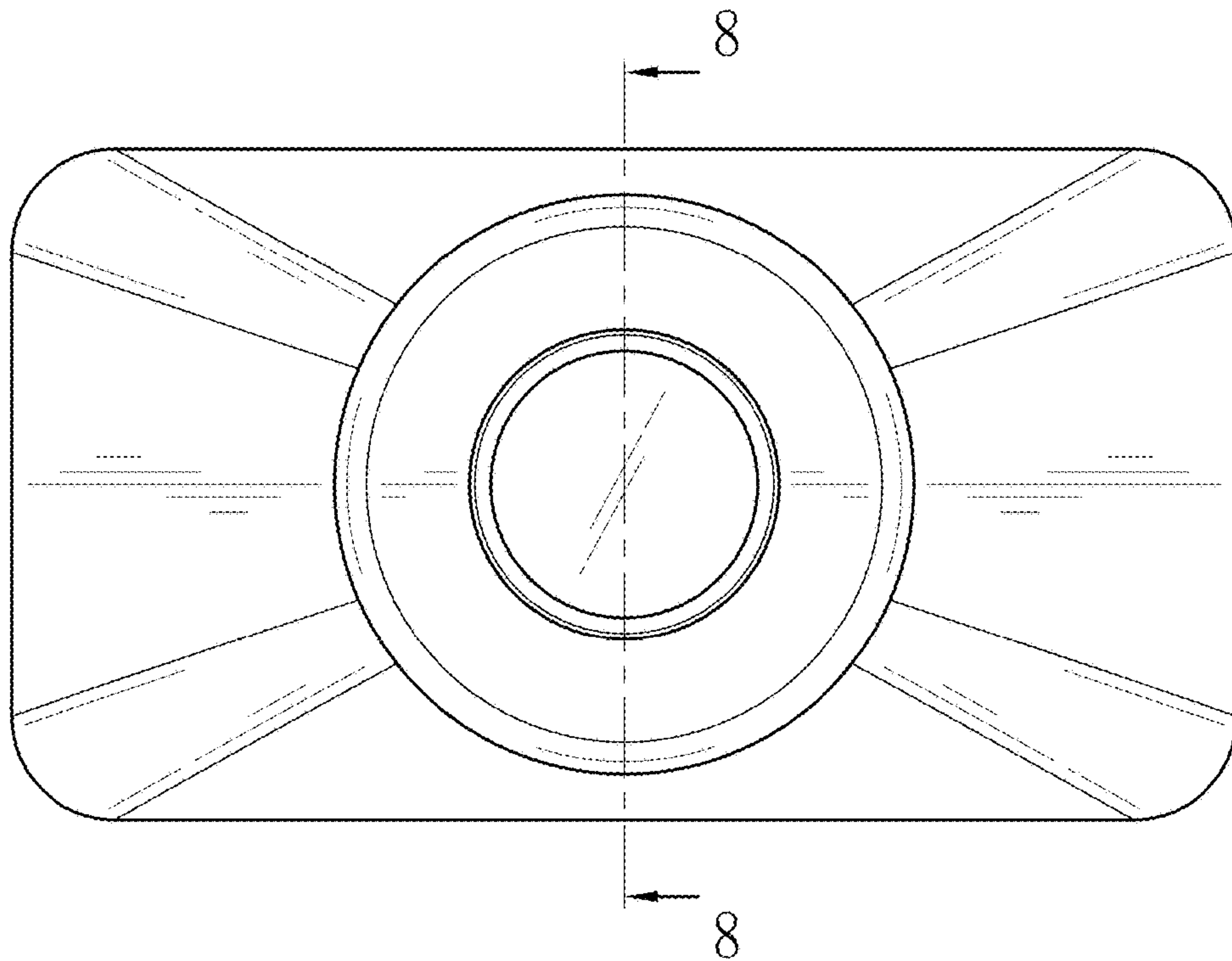


FIG. 6



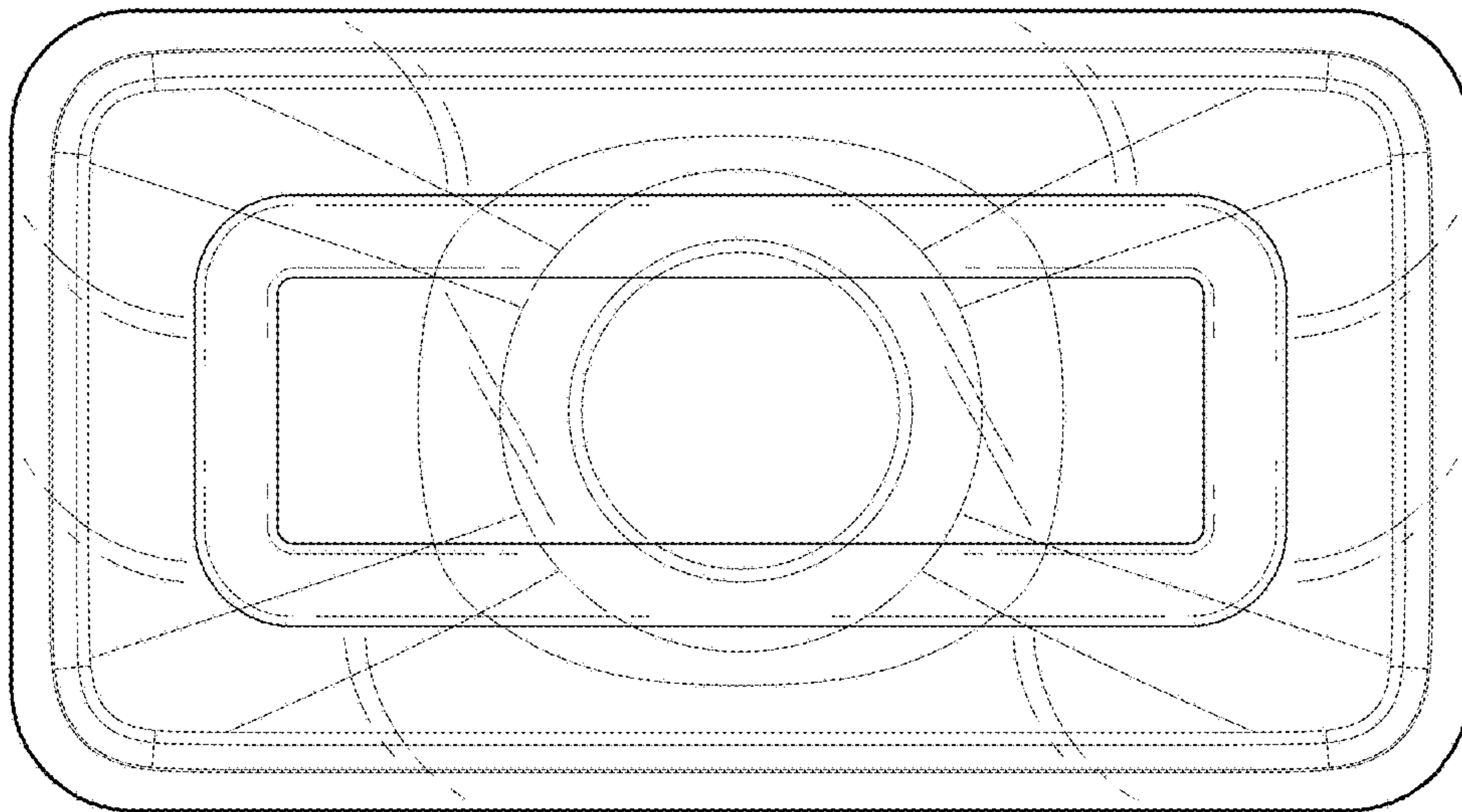


FIG. 7

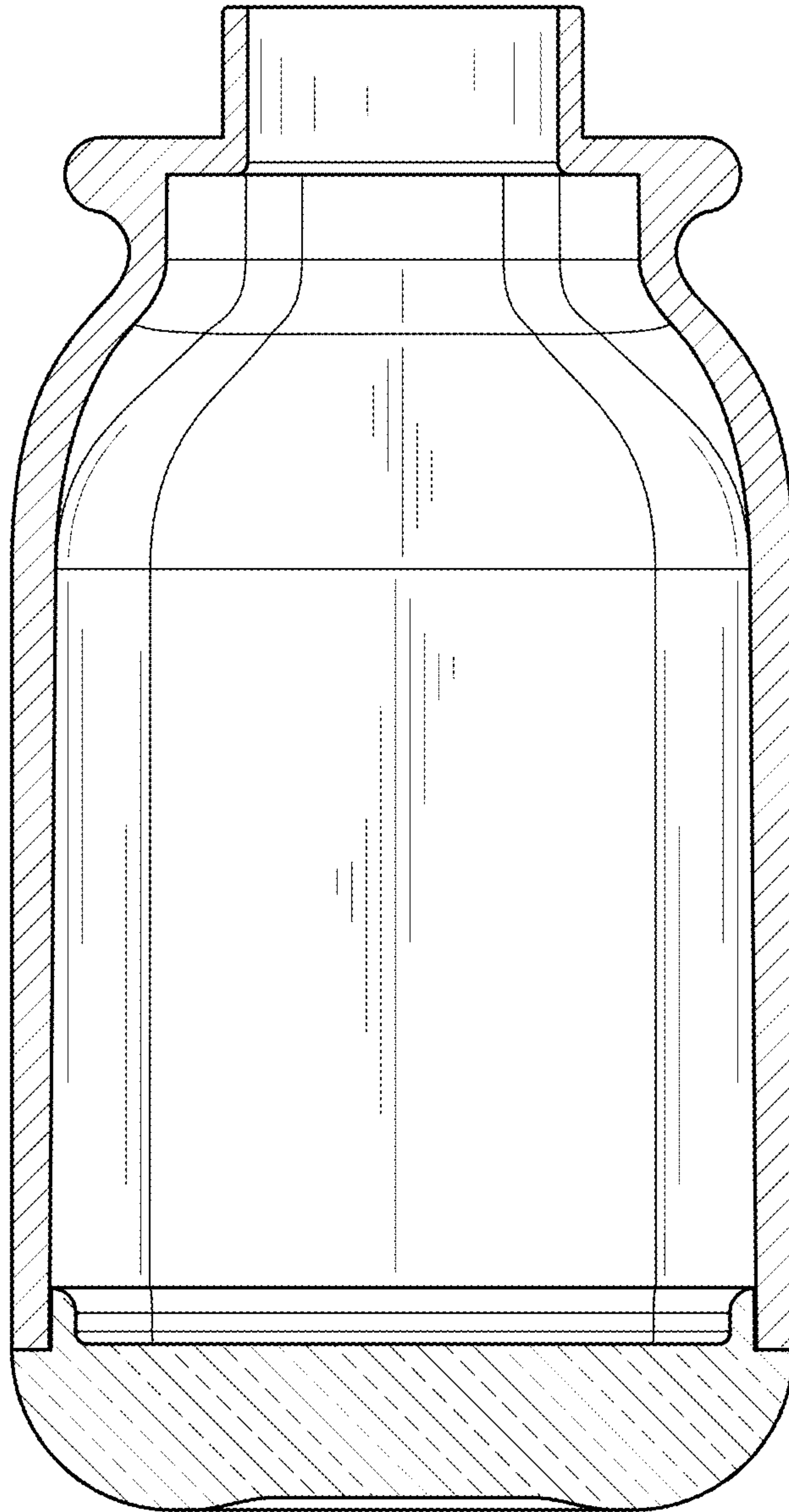


FIG. 8