



US00D850271S

(12) **United States Design Patent**
Shafel, Jr. et al.

(10) **Patent No.:** **US D850,271 S**

(45) **Date of Patent:** **** Jun. 4, 2019**

(54) **FLUID CONTAINER**

(71) Applicants: **James Joseph Shafel, Jr.**, Antigo, WI (US); **Lisa Marie Shafel**, Antigo, WI (US)

(72) Inventors: **James Joseph Shafel, Jr.**, Antigo, WI (US); **Lisa Marie Shafel**, Antigo, WI (US)

(**) Term: **15 Years**

(21) Appl. No.: **29/602,853**

(22) Filed: **May 4, 2017**

(51) **LOC (11) Cl.** **09-01**

(52) **U.S. Cl.**

USPC **D9/527**; D23/211.1; D9/575

(58) **Field of Classification Search**

USPC D9/516, 523, 526-528, 530, 531, 533, D9/560, 572, 575, 715, 719; D23/211.1

CPC . B65D 85/00; B65D 1/12; B65D 1/18; B65D 1/20; B65D 21/0237; F16N 3/04

See application file for complete search history.

(56) **References Cited**

U.S. PATENT DOCUMENTS

D251,129 S	*	2/1979	Behling	D23/212
D301,689 S	*	6/1989	Fick	D23/211.1
D305,504 S	*	1/1990	Fischer	D9/520
D333,177 S	*	2/1993	Poirier	D23/211.1
D338,158 S	*	8/1993	Poirier	D23/211.1
D340,640 S	*	10/1993	Ferguson	D23/211.1
D356,951 S	*	4/1995	Mitchell	D23/211.2

D498,420 S	*	11/2004	Cadotte	D9/524
D581,481 S	*	11/2008	Edwards	D23/211
D584,836 S	*	1/2009	Hakvoort	D29/126
D585,569 S	*	1/2009	Hakvoort	D29/126
D608,855 S	*	1/2010	Hatch	D23/211.1
D648,632 S	*	11/2011	Ferguson	D9/524
D656,401 S	*	3/2012	Hickey	D9/527
D729,900 S	*	5/2015	Hooper	D23/211.1
D809,093 S	*	1/2018	Kasper	D23/211

* cited by examiner

Primary Examiner — Ian Simmons

Assistant Examiner — Keith Frank

(74) *Attorney, Agent, or Firm* — Dunlap Bennett & Ludwig PLLC

(57) **CLAIM**

The ornamental design for a fluid container, as shown and described.

DESCRIPTION

FIG. 1 is a side rear perspective view of a fluid container, showing our new design;

FIG. 2 is a front elevation view thereof;

FIG. 3 is a rear elevation view thereof;

FIG. 4 is a left side elevation view thereof;

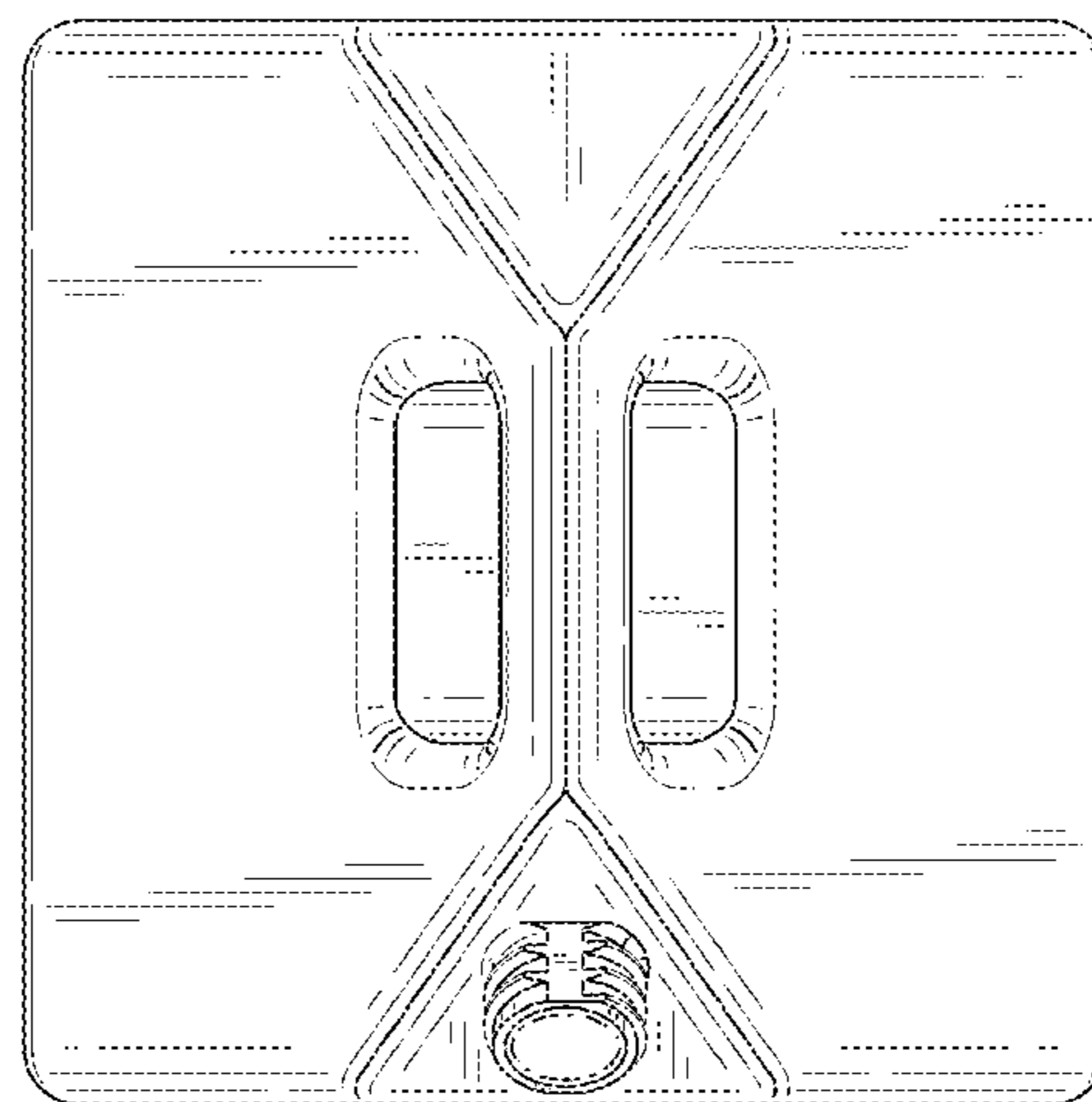
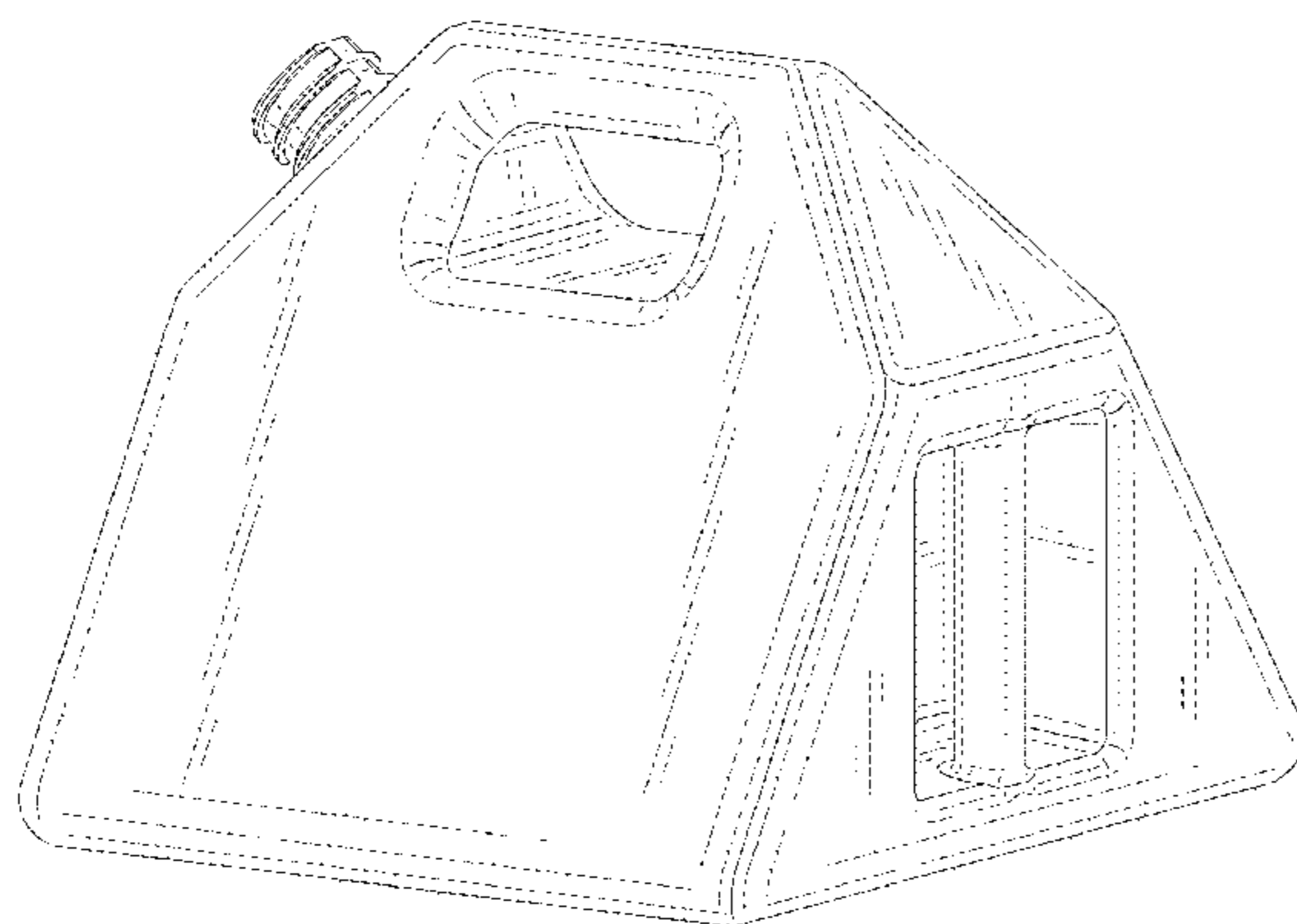
FIG. 5 is a right side elevation view thereof;

FIG. 6 is a top plan view thereof; and,

FIG. 7 is a bottom plan view thereof.

The broken lines shown in the drawings define boundaries of the claimed design.

1 Claim, 5 Drawing Sheets



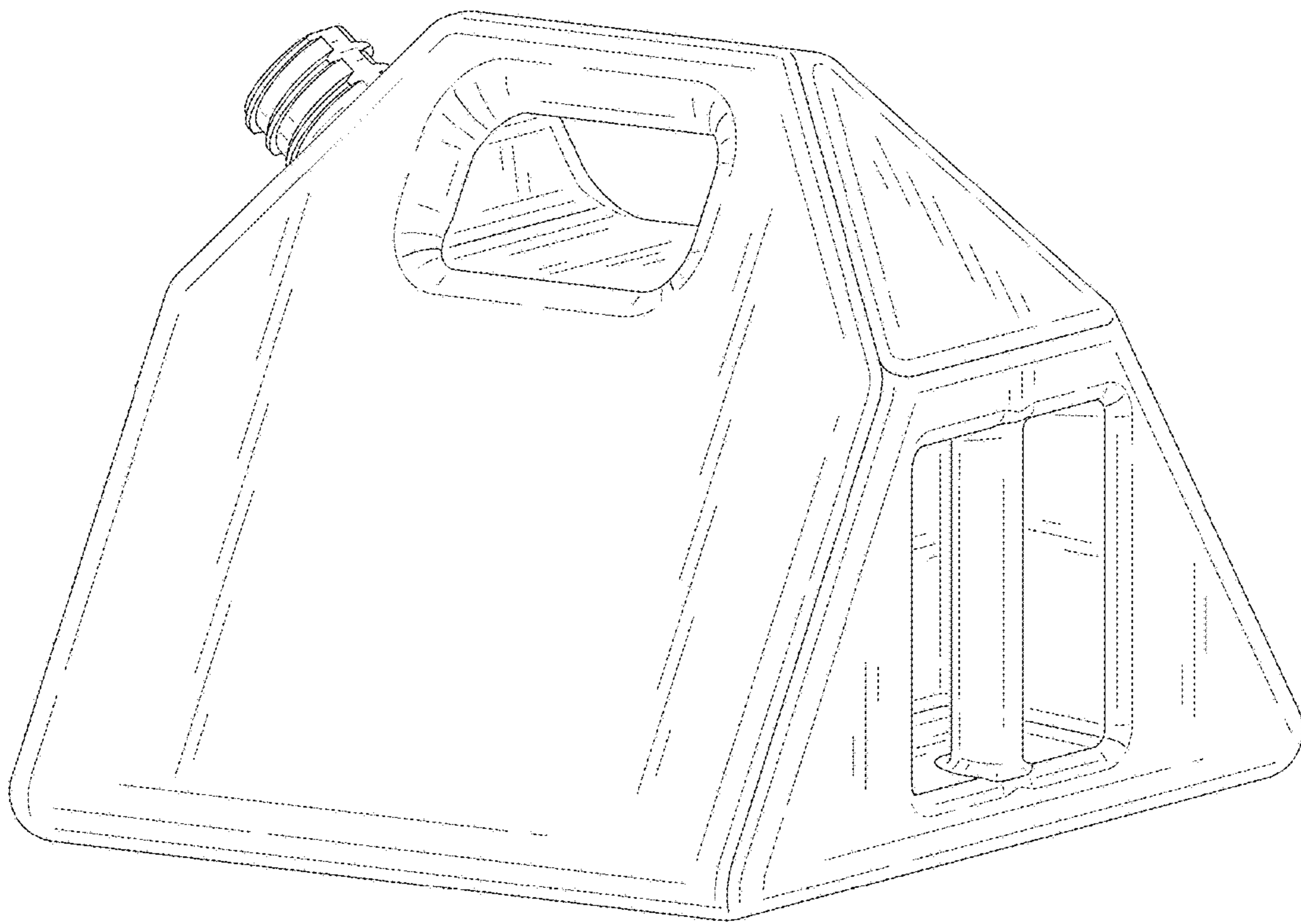


FIG. 1

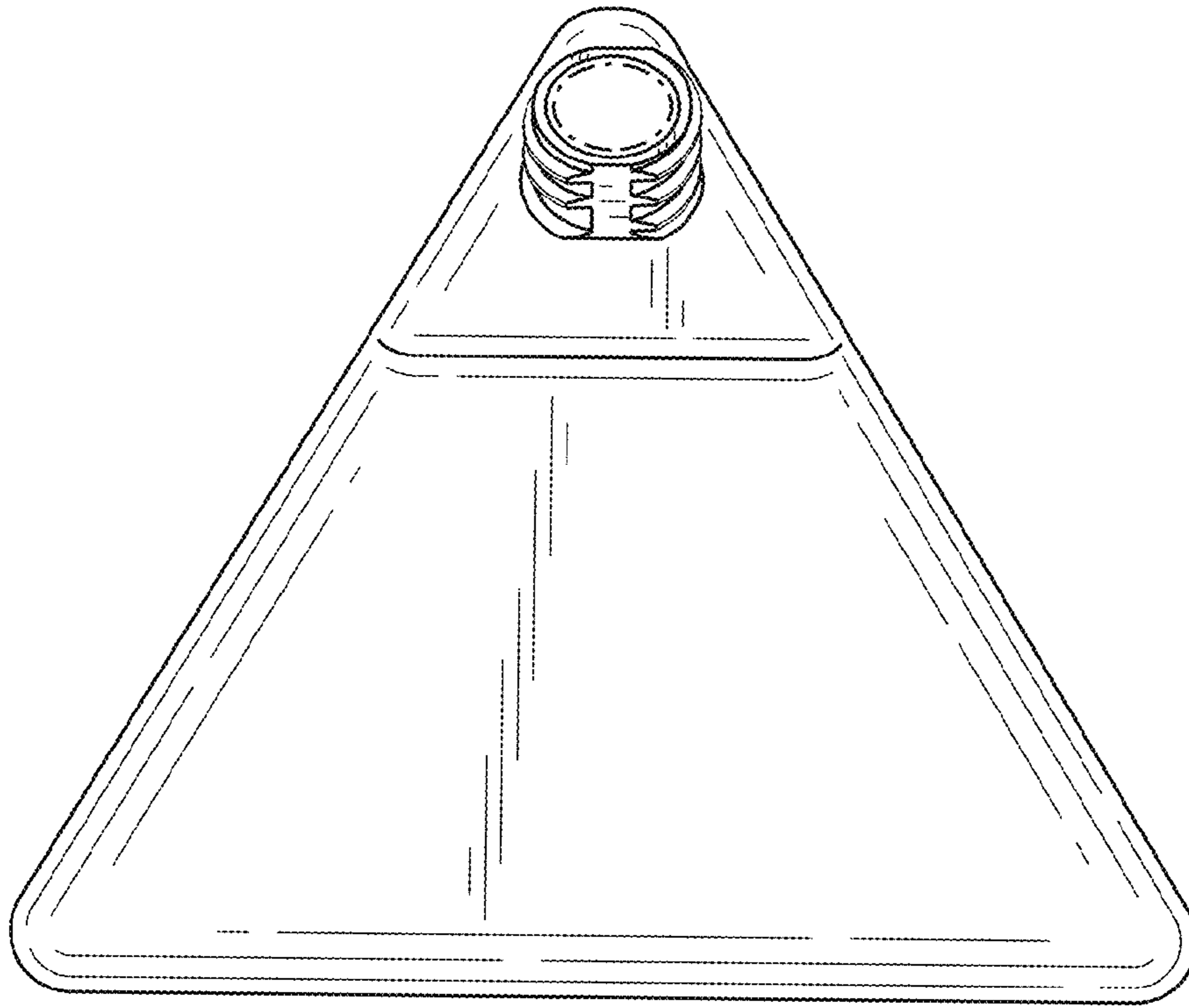


FIG. 2

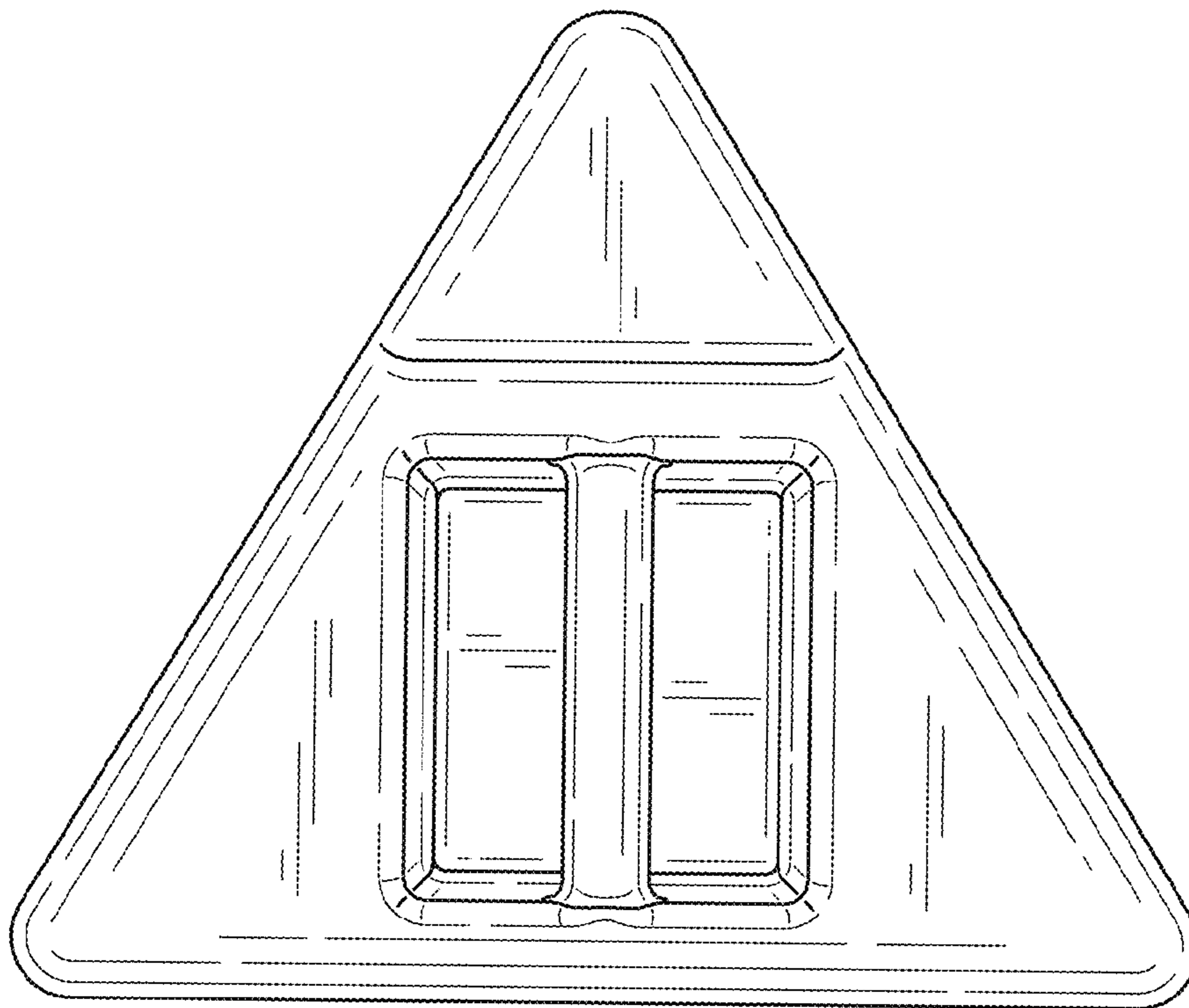


FIG. 3

3 / 5

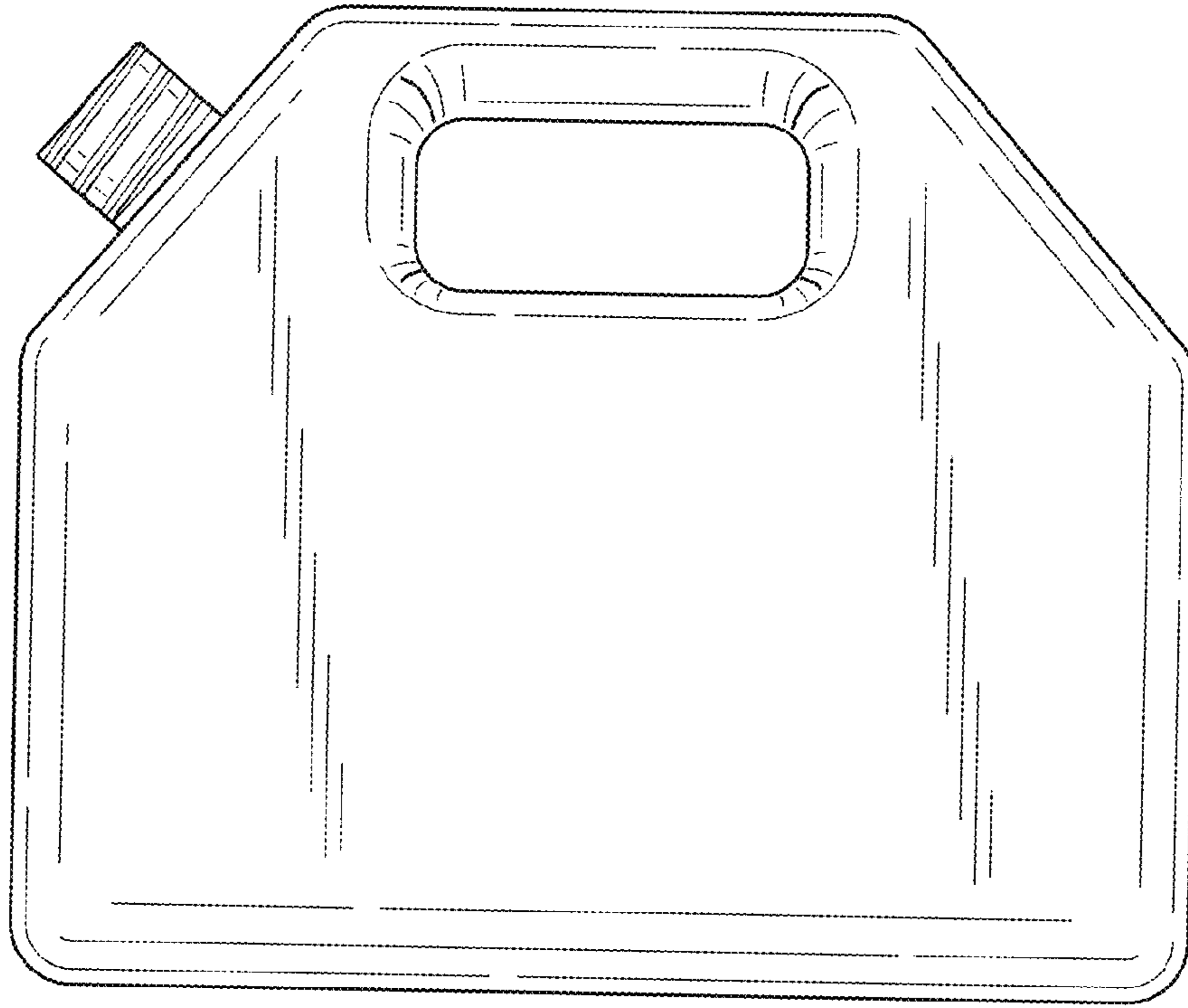


FIG. 4

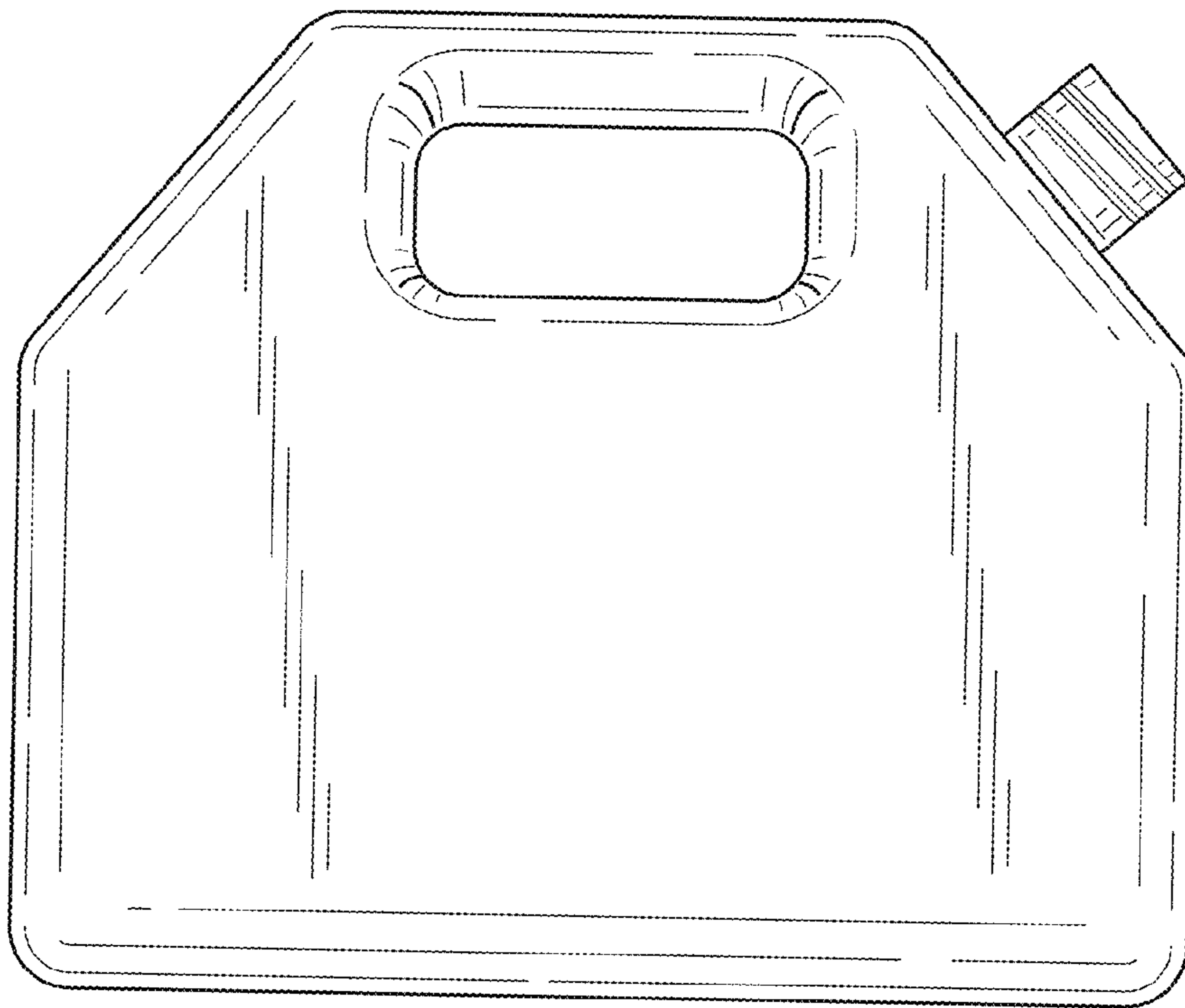


FIG. 5

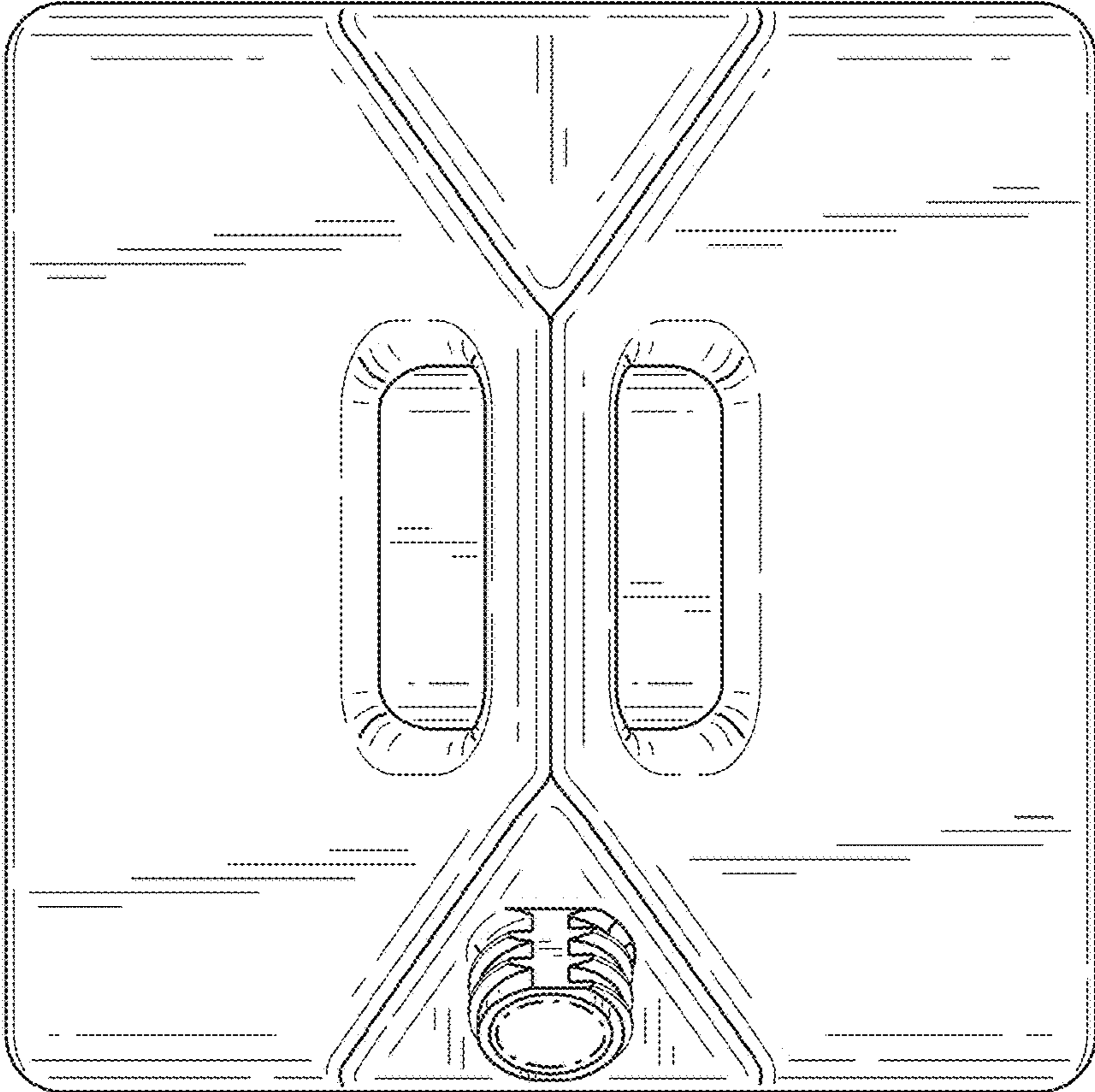


FIG. 6



FIG. 7