



US00D850269S

(12) **United States Design Patent**
Koenick et al.

(10) **Patent No.:** **US D850,269 S**
(45) **Date of Patent:** **** Jun. 4, 2019**

(54) **CONTAINER**

(71) Applicant: **Owens-Brockway Glass Container Inc.**, Perrysburg, OH (US)

(72) Inventors: **Lara Koenick**, Boyds, MD (US); **Raul Paredes**, Perrysburg, OH (US); **Douglas Laib**, Perrysburg, OH (US); **Paul Harris**, Toledo, OH (US); **Andrew Birkhoff**, Columbus, OH (US); **Young Lee**, Perrysburg, OH (US)

(73) Assignee: **Owens-Brockway Glass Container Inc.**, Perrysburg, OH (US)

(**) Term: **15 Years**

(21) Appl. No.: **29/647,321**

(22) Filed: **May 11, 2018**

(51) **LOC (11) Cl.** **09-01**

(52) **U.S. Cl.**
USPC **D9/516; D9/560**

(58) **Field of Classification Search**
USPC D9/500, 502–505, 516, 530, 537,
D9/539–540, 544–546, 549, 550, 558,
D9/560, 715, 719
CPC B65D 1/00; B65D 1/02; B65D 1/0223;
B65D 23/00; B65D 81/00; B65D
2501/00; B65D 2501/0009; B65D
2501/0081

See application file for complete search history.

(56) **References Cited**

U.S. PATENT DOCUMENTS

D41,559 S * 7/1911 Marsters D9/560
D46,683 S * 11/1914 Lehmann D9/546

D506,135 S * 6/2005 Breier D9/500
D522,366 S 6/2006 Scott
D530,214 S 10/2006 Scott
D622,608 S * 8/2010 Sansevero D9/544
D624,823 S * 10/2010 Brown D9/544
D683,228 S * 5/2013 Gonzalez Rodriguez D9/545
D687,302 S 8/2013 Reynolds
D692,761 S 11/2013 Staley
D697,405 S 1/2014 Ahlgren et al.
D713,250 S 9/2014 Perez-Cabrera
D766,092 S 9/2016 Maillet et al.
D828,175 S * 9/2018 Furneaux D9/544

* cited by examiner

Primary Examiner — Dana Meyrow

(57) **CLAIM**

We claim the ornamental design for a container, as shown and described.

DESCRIPTION

FIG. 1 is a perspective view of a container in accordance with our new design;

FIG. 2 is a front view of the container in FIG. 1, the rear and side views of the claimed design being identical to the front view of FIG. 2.

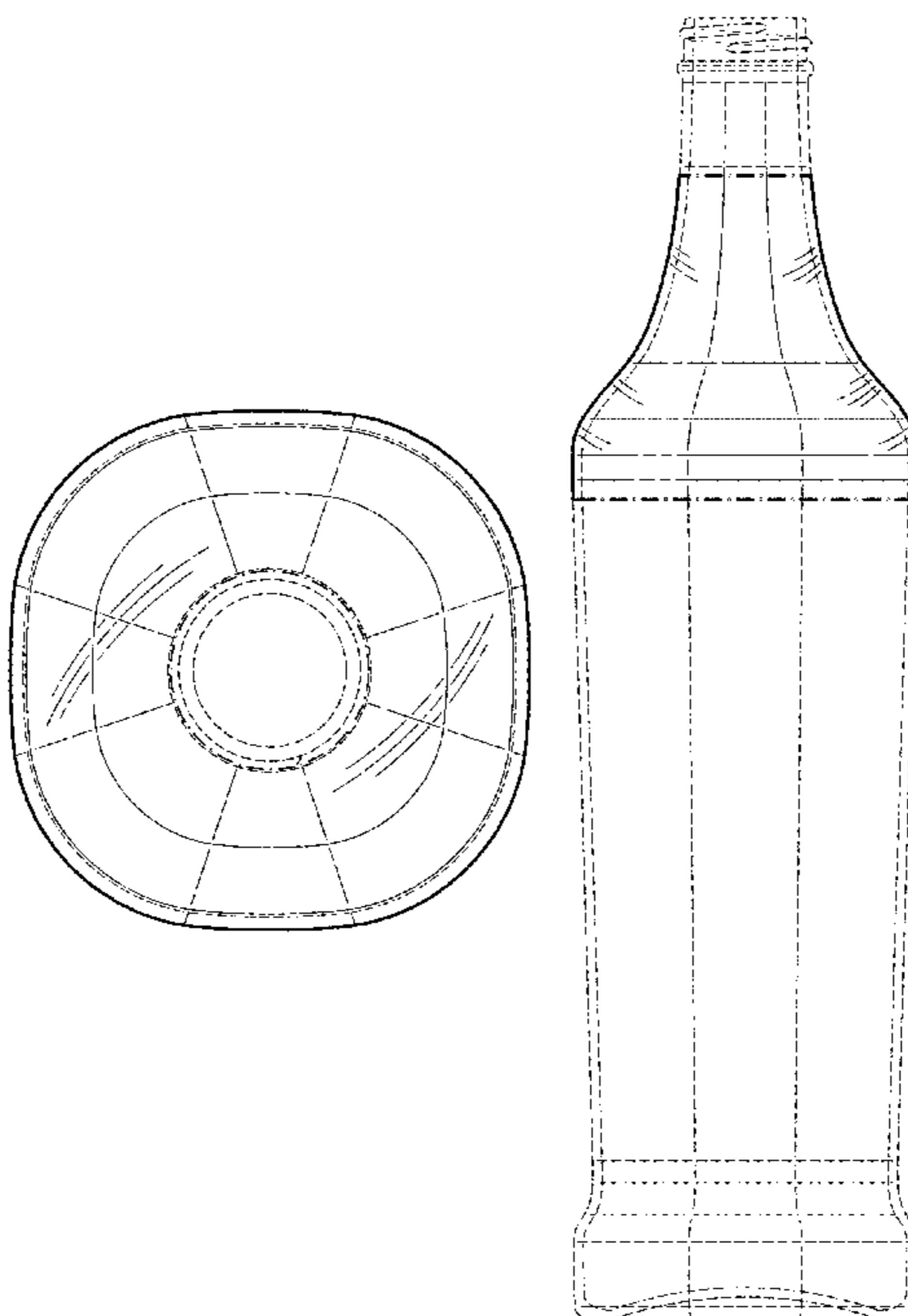
FIG. 3 is an enlarged top view of the container in FIG. 1; and,

FIG. 4 is an enlarged bottom view of the container in FIG. 1.

Dash-dash-dash broken lines shown in the drawings represent subject matter that is not part of the claimed design.

Dash-dot-dash broken lines shown in the drawings represent boundaries of the claimed design and are not part of the claimed design.

1 Claim, 2 Drawing Sheets



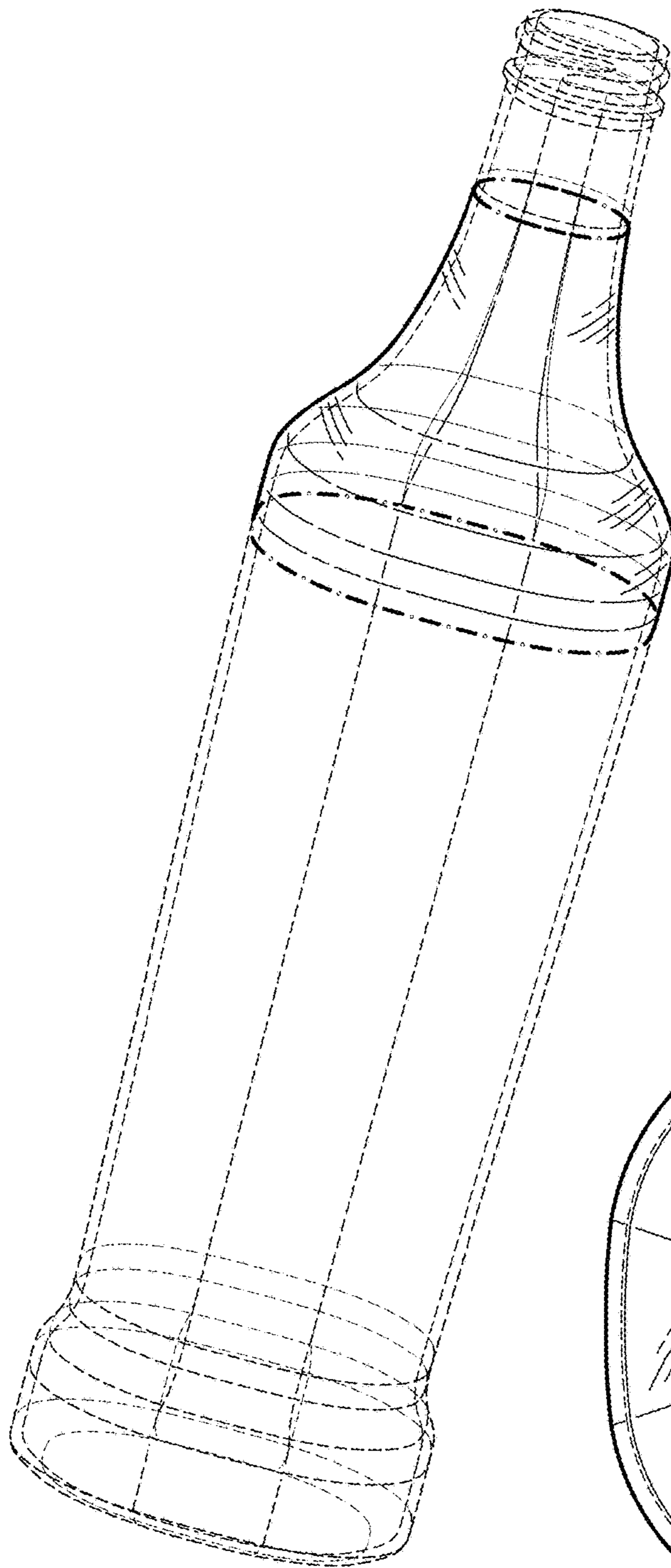


FIG. 1

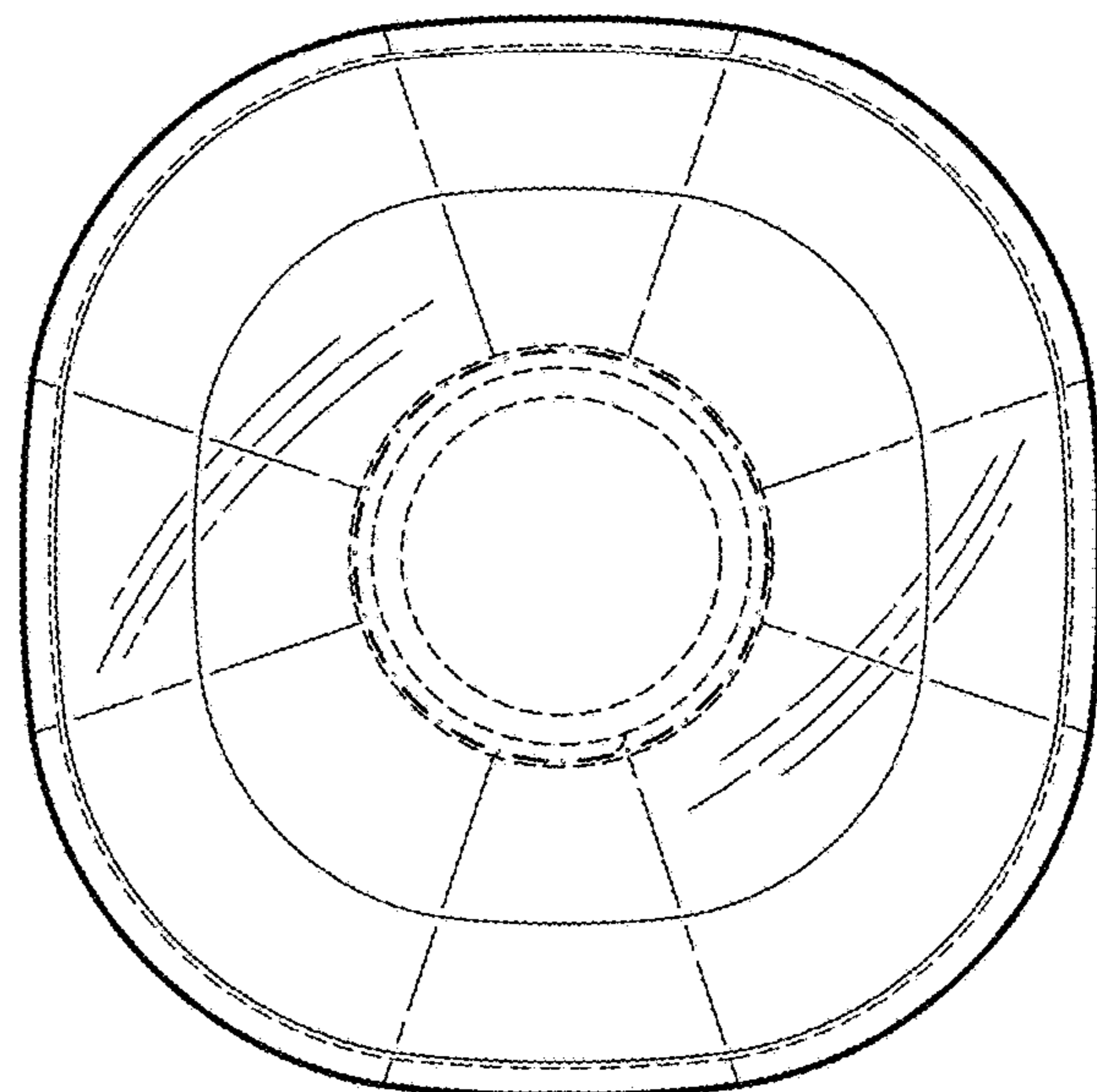


FIG. 2

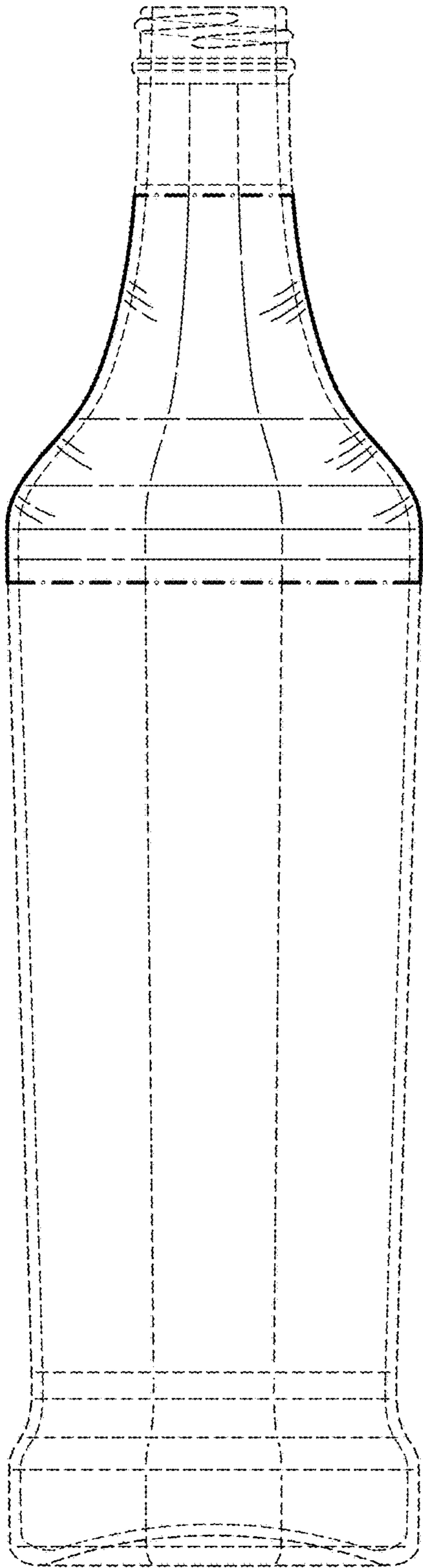


FIG. 3

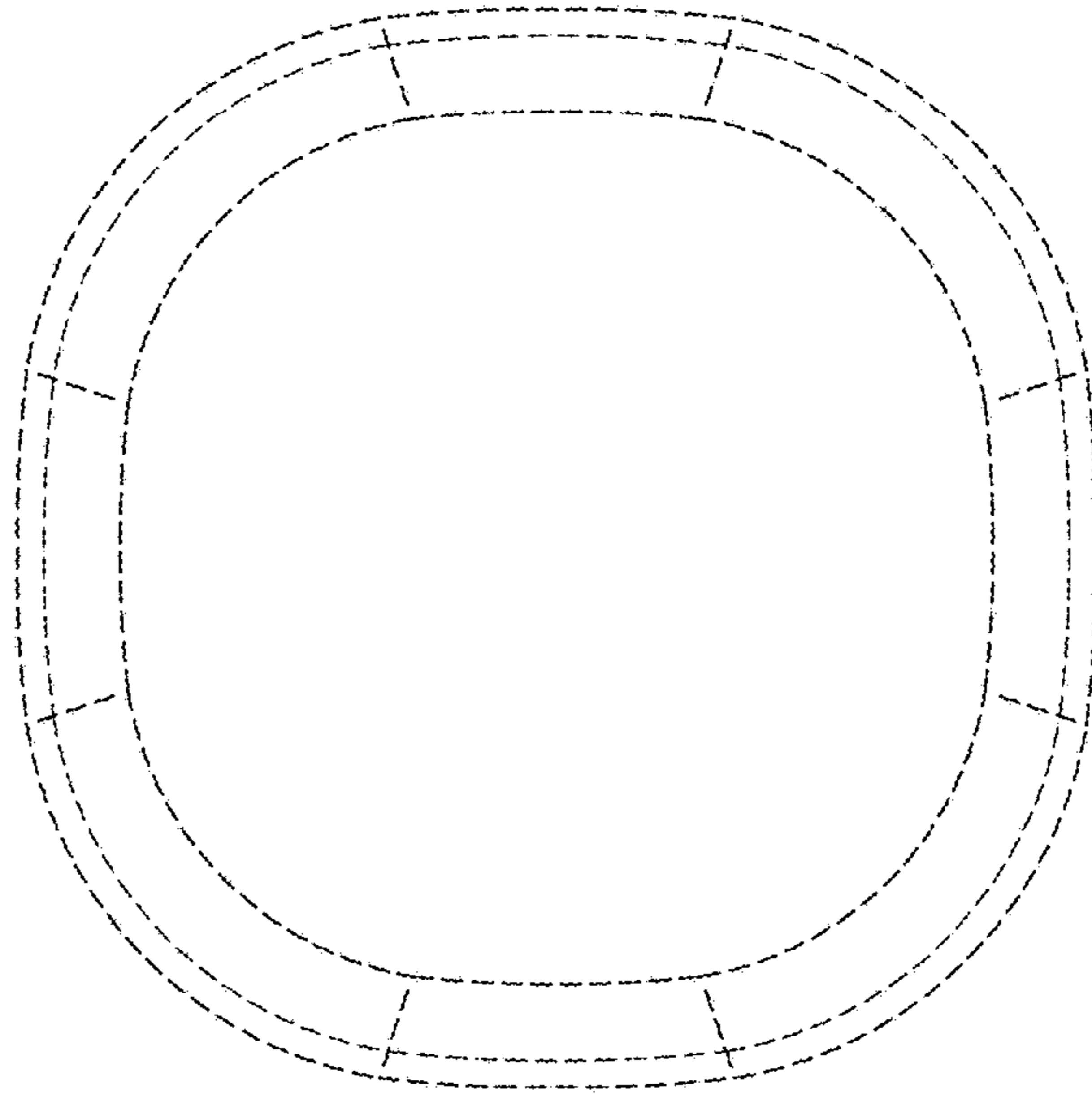


FIG. 4