



US00D850268S

(12) **United States Design Patent**  
**Paredes et al.**

(10) **Patent No.:** **US D850,268 S**

(45) **Date of Patent:** **\*\* Jun. 4, 2019**

(54) **CONTAINER**

(71) Applicant: **Owens-Brockway Glass Container Inc.**, Perrysburg, OH (US)

(72) Inventors: **Raul Paredes**, Perrysburg, OH (US);  
**Paul Harris**, Toledo, OH (US);  
**Douglas Laib**, Perrysburg, OH (US);  
**Andrew Birkhoff**, Columbus, OH (US);  
**Young Lee**, Perrysburg, OH (US); **Lara Koenick**, Boyds, MD (US)

(73) Assignee: **Owens-Brockway Glass Container Inc.**, Perrysburg, OH (US)

(\*\*) Term: **15 Years**

(21) Appl. No.: **29/629,637**

(22) Filed: **Dec. 14, 2017**

(51) **LOC (11) Cl.** ..... **09-01**

(52) **U.S. Cl.**  
USPC ..... **D9/516; D9/500**

(58) **Field of Classification Search**  
USPC ..... D9/500, 502–505, 516, 530, 537,  
D9/539–540, 544–546, 549, 550, 558,  
D9/715, 719  
CPC ..... B65D 1/00; B65D 1/02; B65D 1/0223;  
B65D 23/00; B65D 81/00; B65D  
2501/00; B65D 2501/0009  
See application file for complete search history.

(56) **References Cited**

**U.S. PATENT DOCUMENTS**

- D104,453 S \* 5/1937 Kihn ..... D9/538
- D132,052 S \* 4/1942 Trees ..... D9/500
- D250,879 S \* 1/1979 Marks ..... D9/551
- D414,417 S 9/1999 Alt
- D418,051 S \* 12/1999 van Wyk ..... D9/500
- D434,661 S \* 12/2000 Zambrano V. .... D9/500
- D476,571 S \* 7/2003 Lince ..... D9/500

- D522,869 S \* 6/2006 Leshyk ..... D9/538
- D623,534 S \* 9/2010 Shearsby ..... D9/503
- D626,419 S \* 11/2010 Adamson ..... D9/454
- 8,097,662 B2 \* 1/2012 Schmidt ..... A23L 3/3436  
523/100
- D657,245 S \* 4/2012 Delbon ..... D9/500
- 8,309,622 B2 \* 11/2012 Schmidt ..... A23L 3/3436  
523/100
- D697,405 S 1/2014 Ahlgren et al.
- D704,068 S \* 5/2014 Robin-Prevallee ..... D9/500

(Continued)

**FOREIGN PATENT DOCUMENTS**

EM 004005973-0009 5/2017

*Primary Examiner* — Dana Meyrow

(57) **CLAIM**

We claim the ornamental design for a container, as shown and described.

**DESCRIPTION**

FIG. 1 is a perspective view of a container in accordance with our new design;

FIG. 2 is a front view of the container in FIG. 1, the rear and side views of the claimed design being identical to the front view of FIG. 2.

FIG. 3 is an enlarged top view of the container in FIG. 1; and,

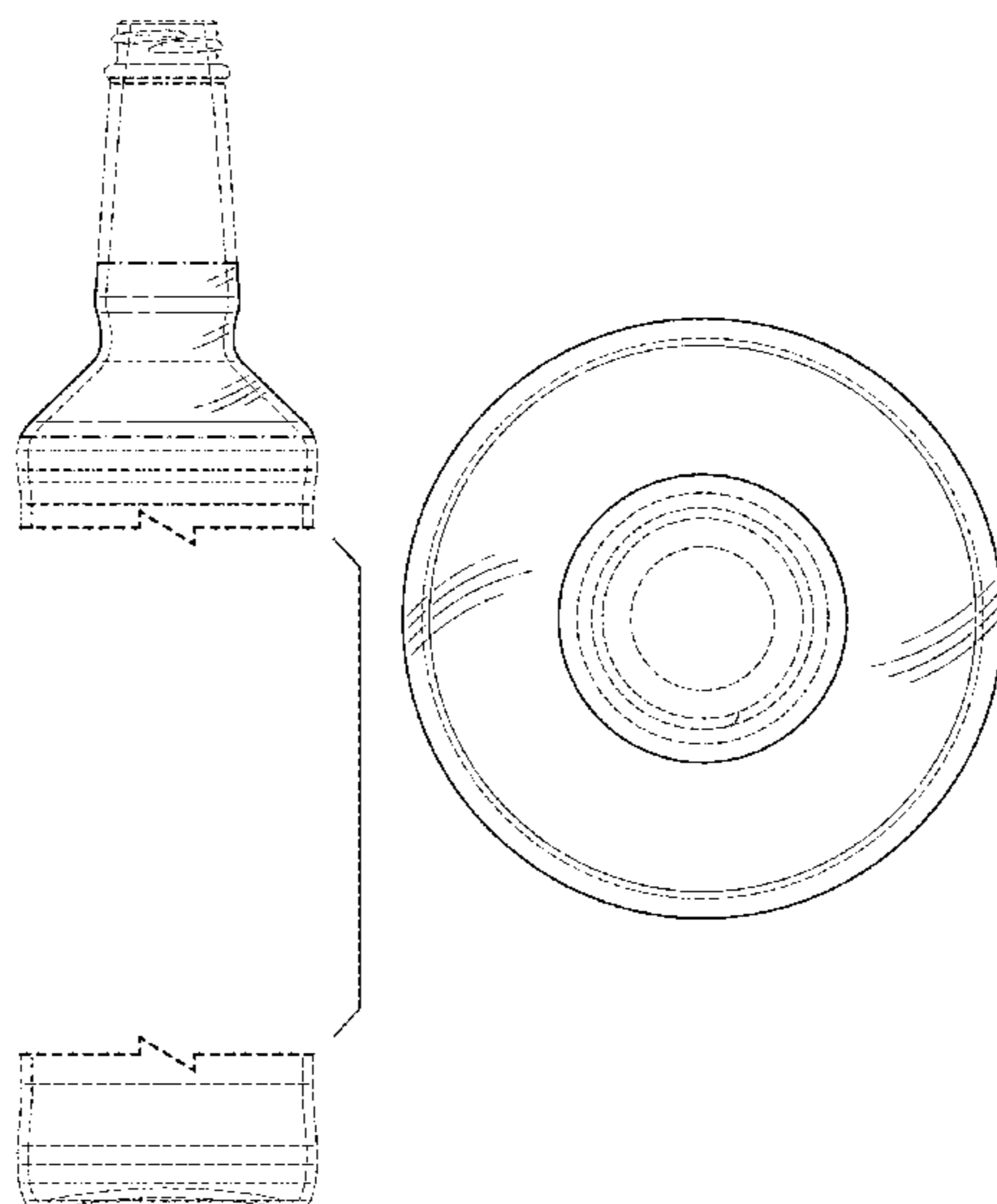
FIG. 4 is an enlarged bottom view of the container in FIG. 1.

Dash-dash-dash broken lines shown in the drawings represent subject matter that is not part of the claimed design.

Dash-dot-dash broken lines shown in the drawings represent boundaries of the claimed design and are not part of the claimed design.

The heavy-weight evenly-dashed broken break lines, the brackets between the break lines and any portion of the container between the break lines form no part of the claimed design.

**1 Claim, 2 Drawing Sheets**



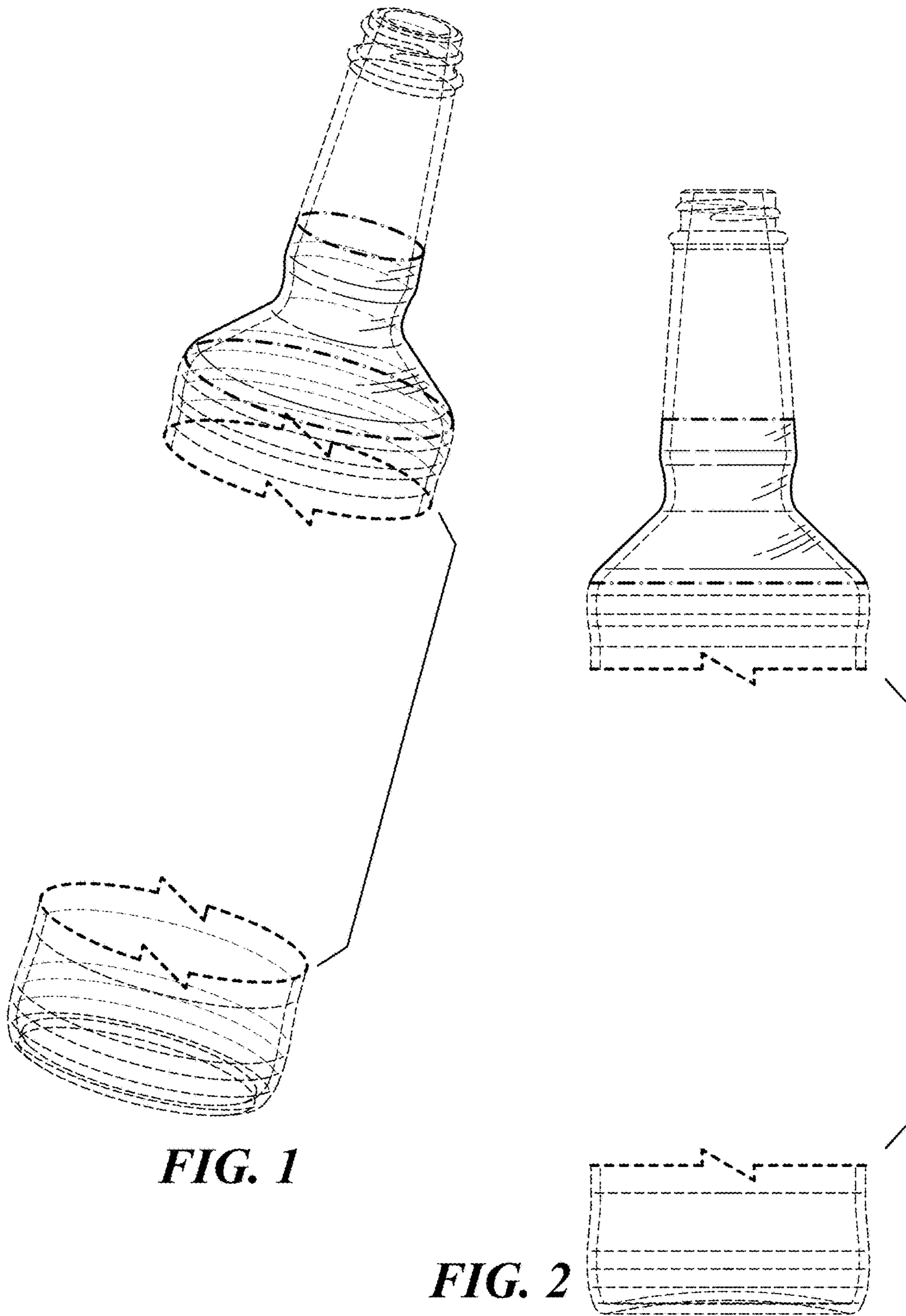
(56)

**References Cited**

U.S. PATENT DOCUMENTS

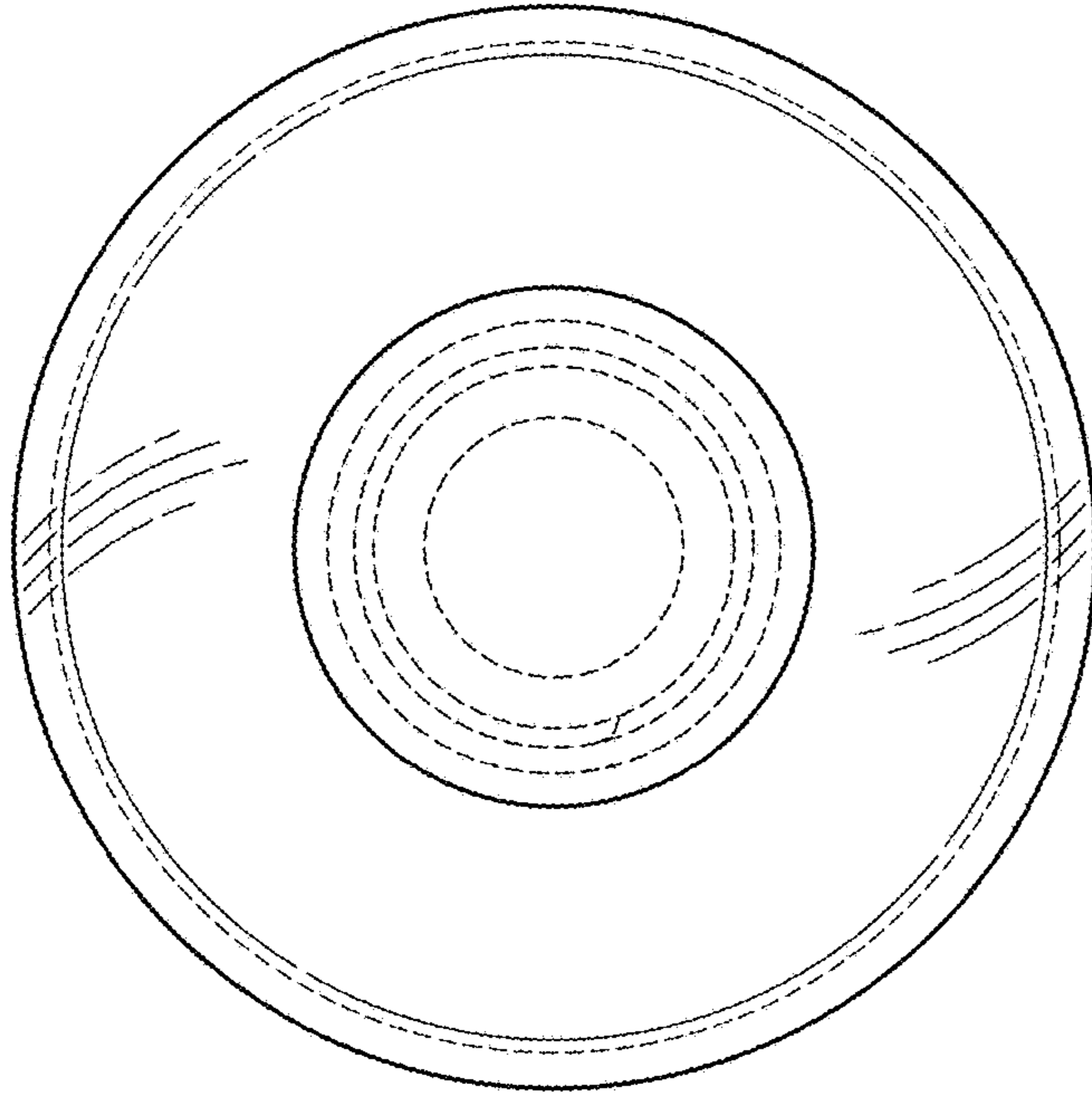
D713,250 S	9/2014	Perez-Cabrera	
D731,316 S	6/2015	Joblonska	
D786,076 S *	5/2017	Redondo .....	D9/500
D793,863 S *	8/2017	Huynen .....	D9/503

\* cited by examiner

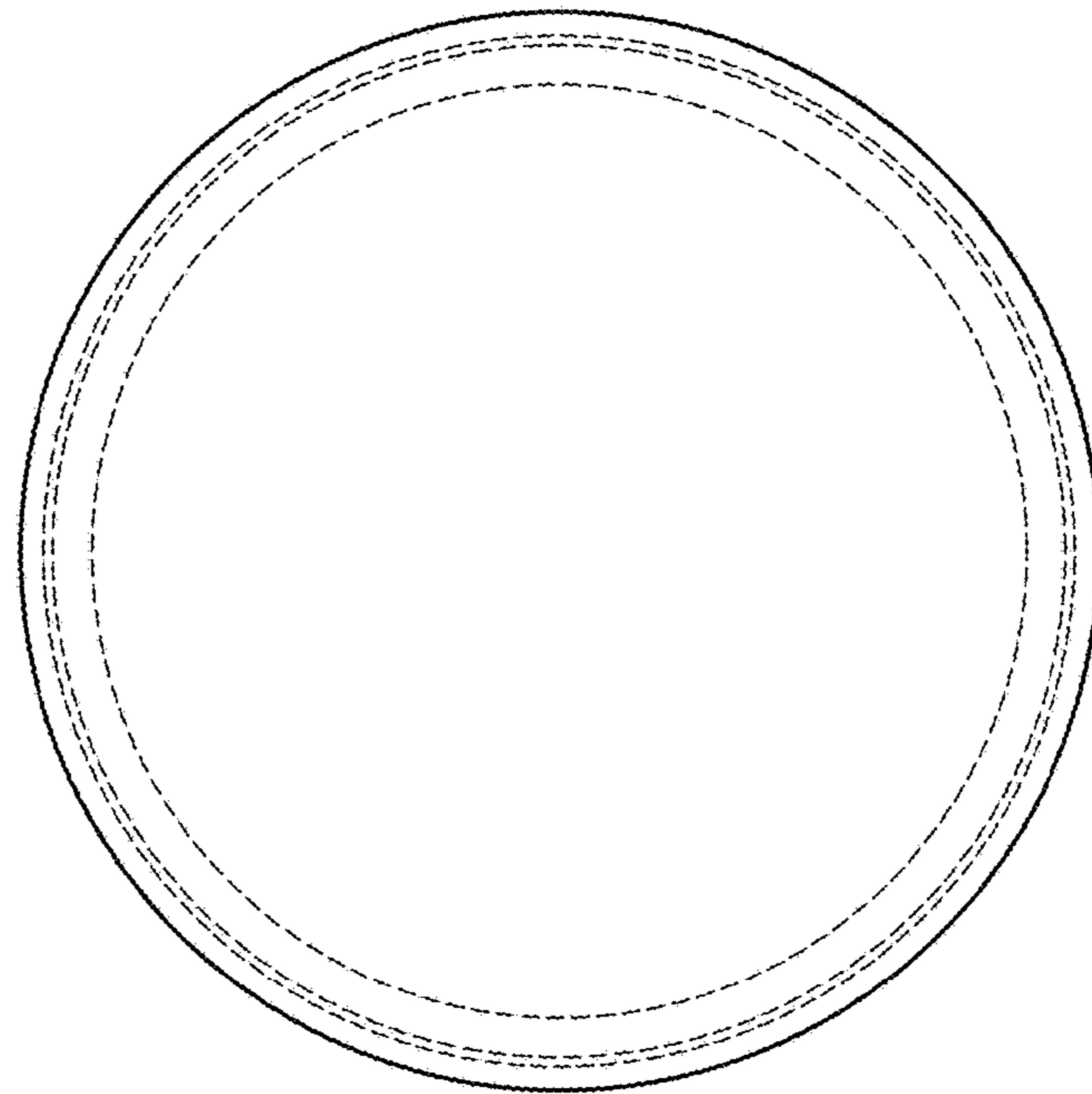


**FIG. 1**

**FIG. 2**



**FIG. 3**



**FIG. 4**