



US00D850267S

(12) **United States Design Patent**
Paredes et al.

(10) **Patent No.:** **US D850,267 S**
(45) **Date of Patent:** **** Jun. 4, 2019**

(54) **CONTAINER**

(71) Applicant: **Owens-Brockway Glass Container Inc.**, Perrysburg, OH (US)

(72) Inventors: **Raul Paredes**, Perrysburg, OH (US);
Paul Harris, Toledo, OH (US);
Douglas Laib, Perrysburg, OH (US);
Andrew Birkhoff, Columbus, OH (US);
Young Lee, Perrysburg, OH (US); **Lara Koenick**, Boyds, MD (US)

(73) Assignee: **Owens-Brockway Glass Container Inc.**, Perrysburg, OH (US)

(**) Term: **15 Years**

(21) Appl. No.: **29/629,636**

(22) Filed: **Dec. 14, 2017**

(51) **LOC (11) Cl.** **09-01**

(52) **U.S. Cl.**
USPC **D9/516**; D9/500

(58) **Field of Classification Search**
USPC D9/500, 502–505, 516, 530, 537,
D9/539–540, 544–546, 549, 550, 558,
D9/715, 719
CPC B65D 1/00; B65D 1/02; B65D 1/0223;
B65D 23/00; B65D 81/00; B65D
2501/00; B65D 2501/0009

See application file for complete search history.

(56) **References Cited**

U.S. PATENT DOCUMENTS

D85,233 S *	9/1931	Fuerst	D9/500
D102,569 S *	12/1936	Mas	D9/554
D105,235 S *	7/1937	Steelman	D9/545
D308,335 S *	6/1990	Rubinoff	D9/557
D330,861 S *	11/1992	Lower	D9/563
D363,026 S *	10/1995	Sillince	D9/500
D476,571 S	7/2003	Lince		

D484,415 S *	12/2003	Hadtke	D9/500
D691,482 S *	10/2013	Naumann	D9/550
D691,483 S *	10/2013	Fitts	D9/520
D692,761 S	11/2013	Staley		
D697,804 S	1/2014	Hanson et al.		
D706,633 S *	6/2014	Reisig	D9/500
D731,316 S	6/2015	Joblonska		

(Continued)

FOREIGN PATENT DOCUMENTS

EM	000962295-0009	7/2008
EM	001025464-0001	10/2008
EM	004005973-0009	* 5/2017

Primary Examiner — Dana Meyrow

(57) **CLAIM**

We claim the ornamental design for a container, as shown and described.

DESCRIPTION

FIG. 1 is a perspective view of a container in accordance with our new design;

FIG. 2 is a front view of the container in FIG. 1, the rear and side views of the claimed design being identical to the front view of FIG. 2.

FIG. 3 is an enlarged top view of the container in FIG. 1; and,

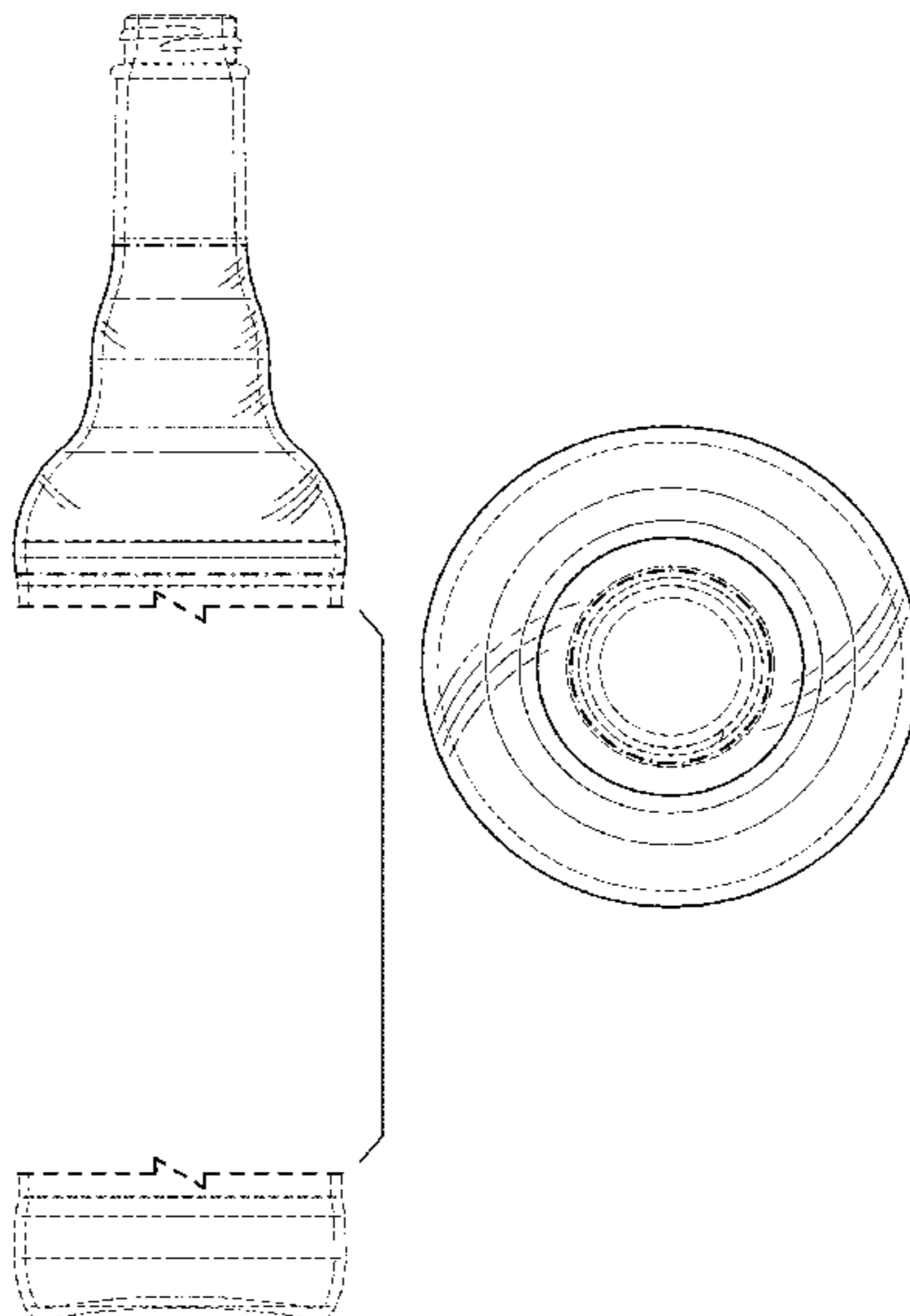
FIG. 4 is an enlarged bottom view of the container in FIG. 1.

Dash-dash-dash broken lines shown in the drawings represent subject matter that is not part of the claimed design.

Dash-dot-dash broken lines shown in the drawings represent boundaries of the claimed design and are not part of the claimed design.

The heavy-weight evenly-dashed broken break lines, the brackets between the break lines and any portion of the container between the break lines form no part of the claimed design.

1 Claim, 2 Drawing Sheets



(56)

References Cited

U.S. PATENT DOCUMENTS

D786,076 S * 5/2017 Redondo D9/500
D815,527 S * 4/2018 Harris D9/500

* cited by examiner

FIG. 1

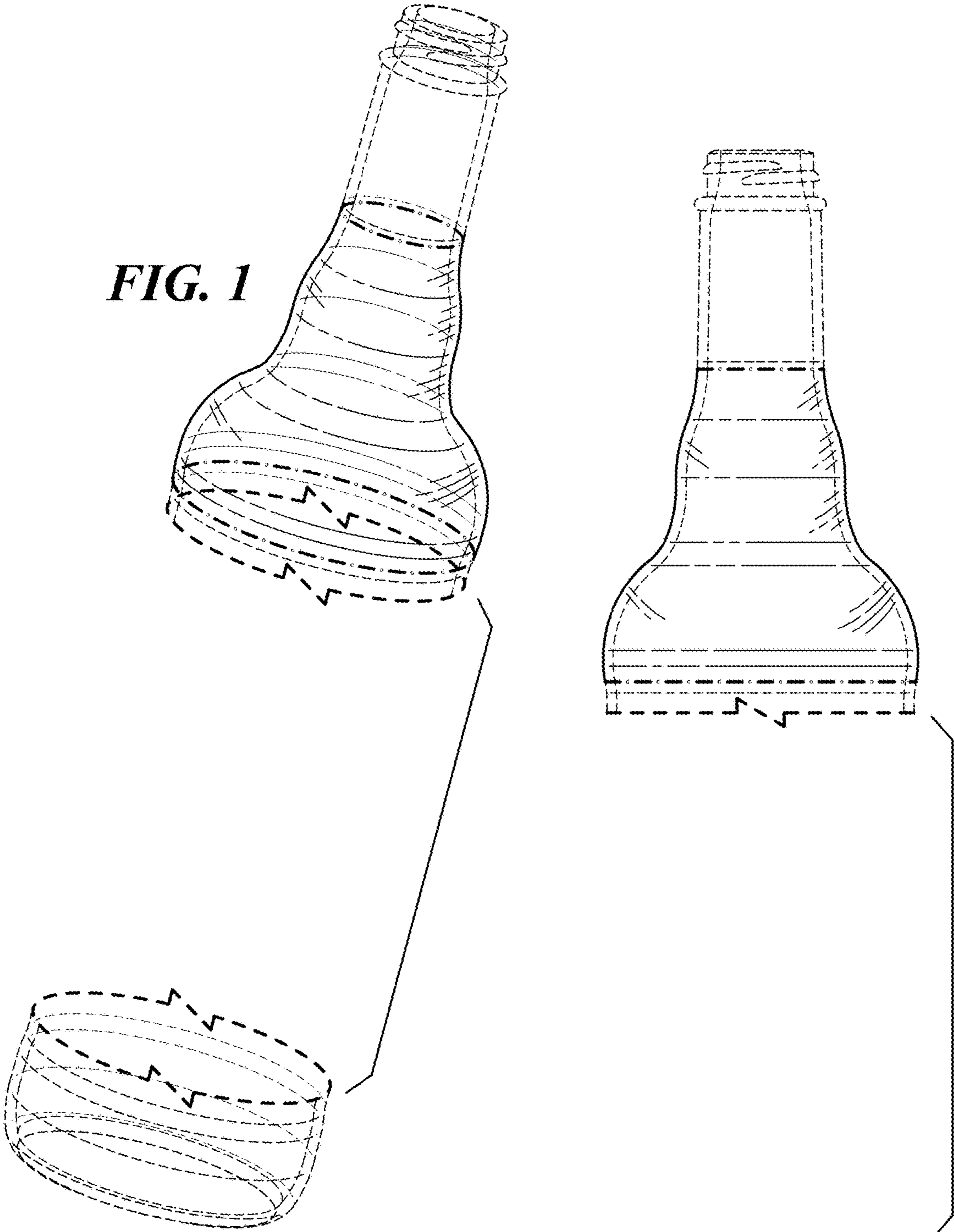
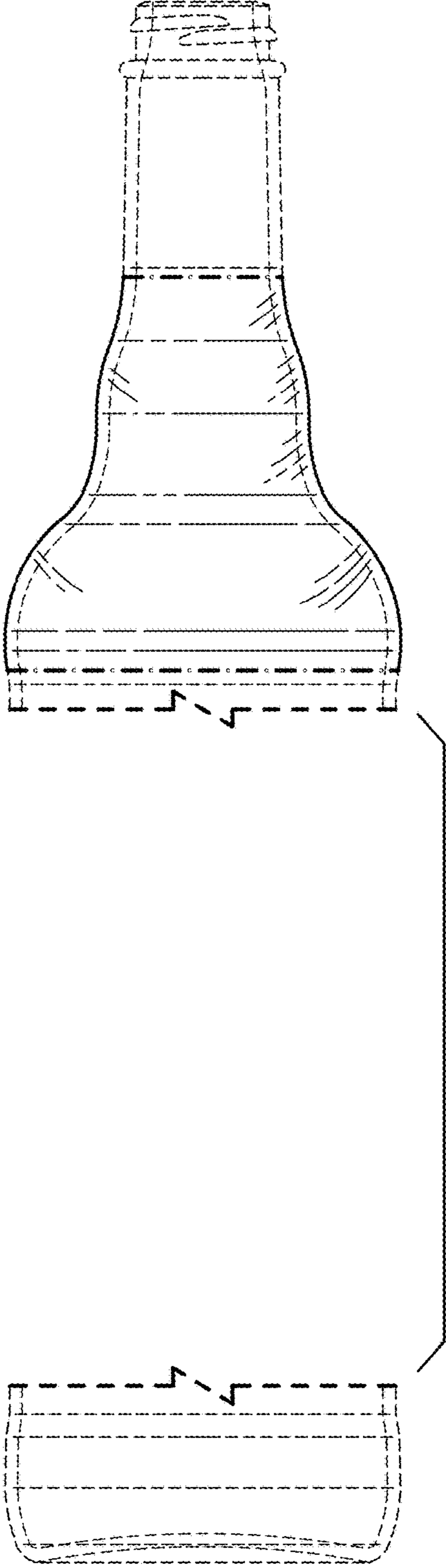


FIG. 2



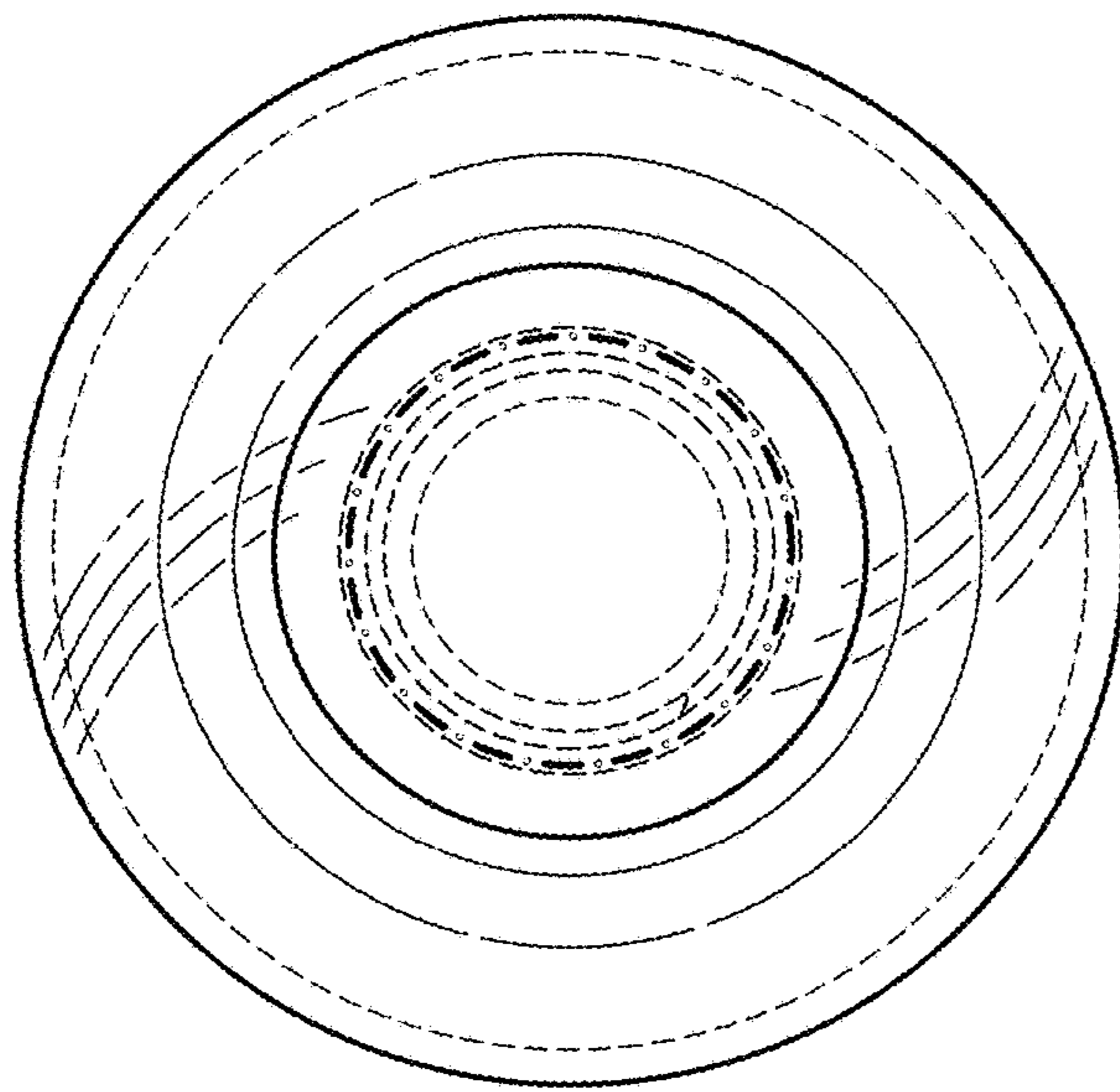


FIG. 3

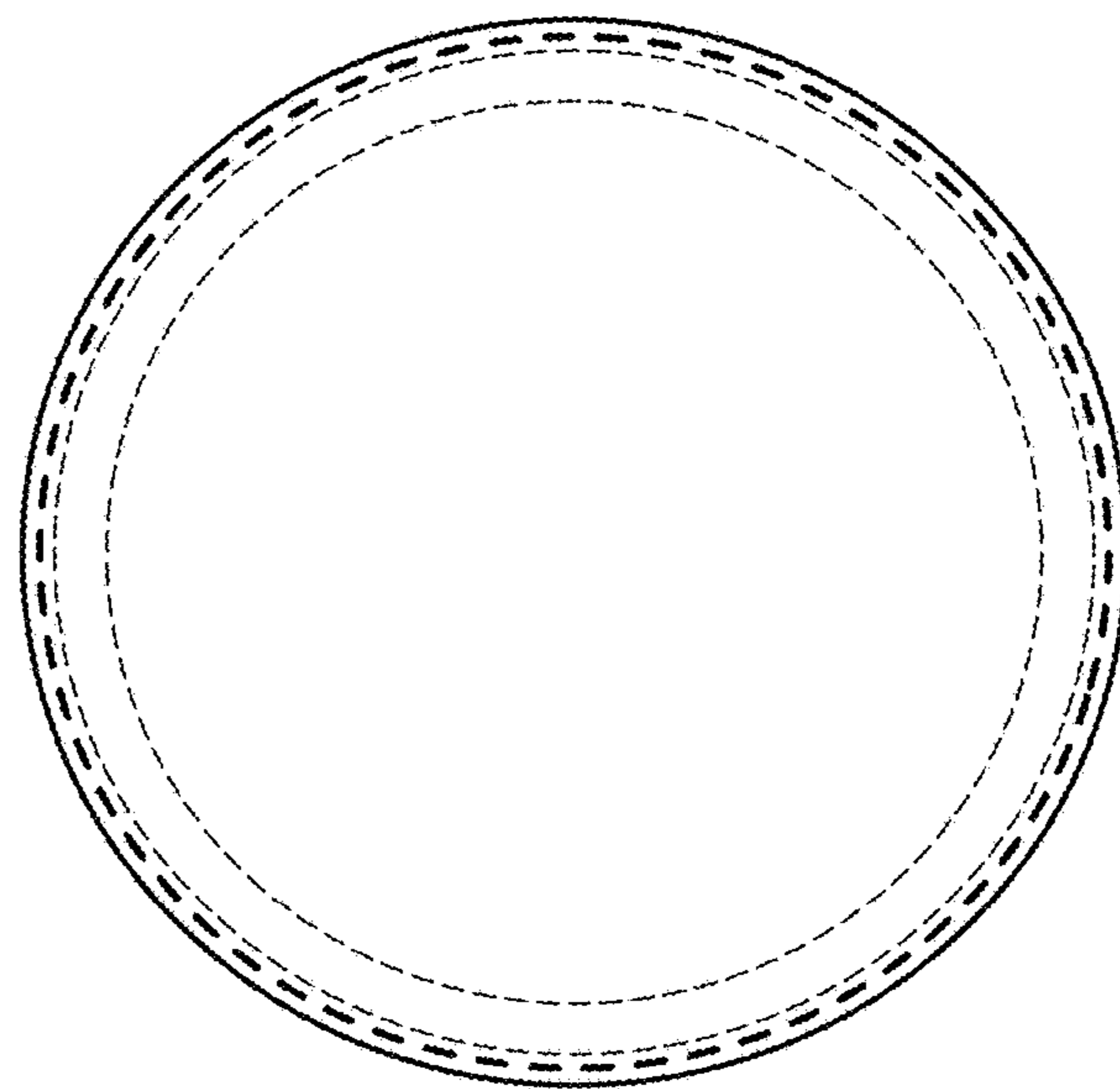


FIG. 4