



US00D850266S

(12) **United States Design Patent**
Harris et al.

(10) **Patent No.:** **US D850,266 S**
(45) **Date of Patent:** **** Jun. 4, 2019**

(54) **CONTAINER**

(71) Applicant: **Owens-Brockway Glass Container Inc.**, Perrysburg, OH (US)

(72) Inventors: **Paul Harris**, Toledo, OH (US); **Raul M Paredes**, Perrysburg, OH (US); **Douglas Laib**, Perrysburg, OH (US); **Lara Koenick**, Boyds, MD (US); **Andrew Birkhoff**, Columbus, OH (US); **Young Lee**, Perrysburg, OH (US)

(73) Assignee: **Owens-Brockway Glass Container Inc.**, Perrysburg, OH (US)

(**) Term: **15 Years**

(21) Appl. No.: **29/628,667**

(22) Filed: **Dec. 6, 2017**

(51) **LOC (11) Cl.** **09-01**

(52) **U.S. Cl.**
USPC **D9/516**; D9/500; D9/562

(58) **Field of Classification Search**
USPC D9/500, 502–505, 516, 530, 537,
D9/539–540, 544–546, 549, 550, 558,
D9/562, 715, 719
CPC B65D 1/00; B65D 1/02; B65D 1/0223;
B65D 23/00; B65D 81/00; B65D
2501/00; B65D 2501/0009
See application file for complete search history.

(56) **References Cited**

U.S. PATENT DOCUMENTS

D102,569 S	*	12/1936	Mas	D9/554
D153,586 S	*	5/1949	D’Addario	D9/502
D227,656 S	*	7/1973	Broadhead	D9/529
D234,291 S	*	2/1975	Broadhead	D9/500
D253,454 S	*	11/1979	Earle	D9/500
D360,363 S	*	7/1995	Minale	D9/562
D375,559 S	*	11/1996	Baxter	D24/224

D452,442 S	*	12/2001	Bowen	D9/503
D452,648 S	*	1/2002	Jakubiuk	D9/628
D470,057 S	*	2/2003	Bowen	D9/551
D476,571 S		7/2003	Lince		
D484,415 S		12/2003	Hadtke et al.		
D623,534 S		9/2010	Shearsby et al.		
D680,435 S		4/2013	Wanet		
D682,697 S		5/2013	Gonzalez Rodriguez		
D697,423 S	*	1/2014	Infahsaeng	D9/500
D697,804 S	*	1/2014	Hanson	D9/500
D706,633 S	*	6/2014	Reisig	D9/500

(Continued)

OTHER PUBLICATIONS

<http://beveragebusiness.com/2015/09/chivas-regal-12-year-old-new-packaging>, Sep. 2015.

Primary Examiner — Dana Meyrow

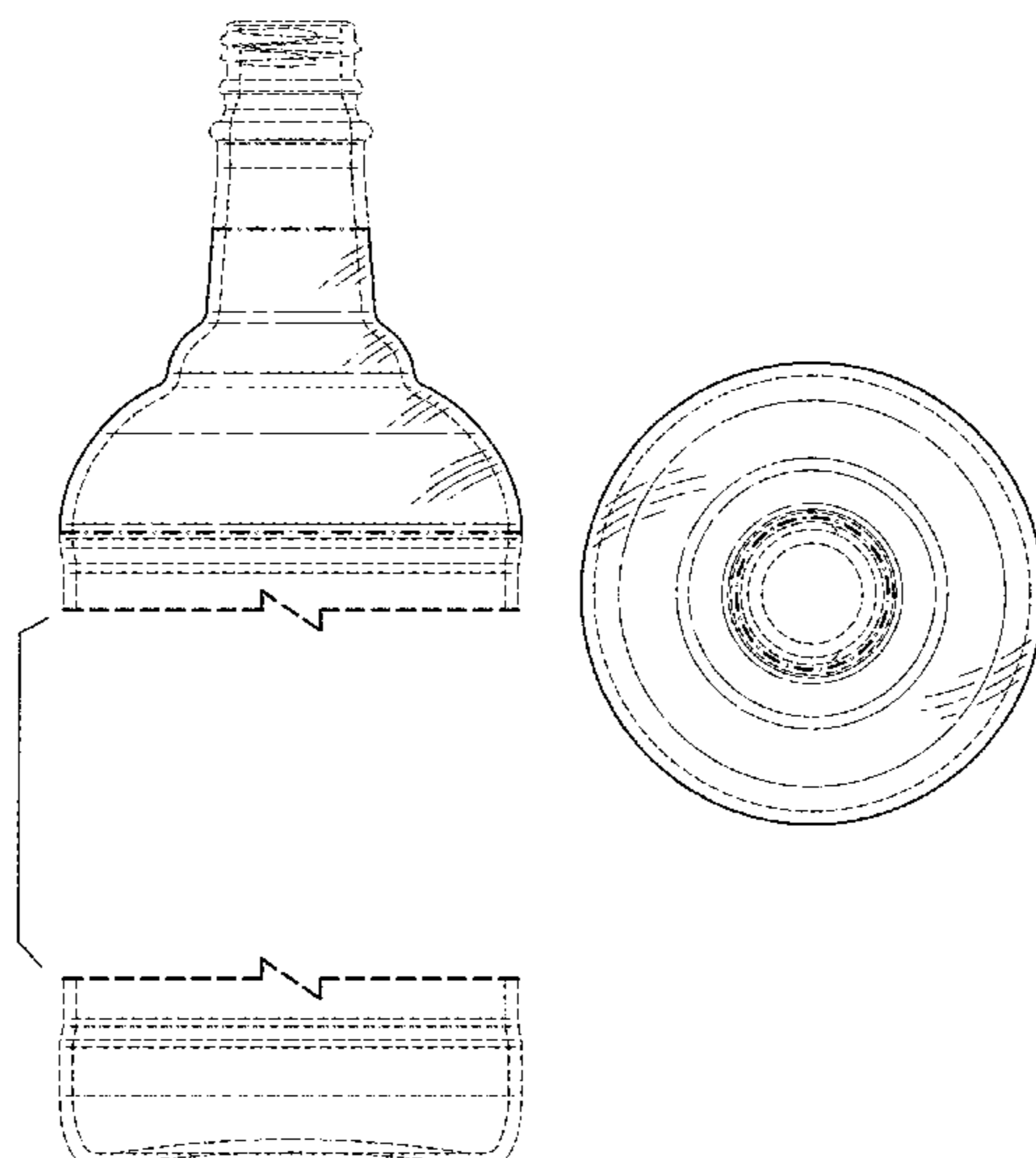
(57) **CLAIM**

We claim the ornamental design for a container, as shown and described.

DESCRIPTION

FIG. 1 is a perspective view of a container in accordance with our new design;
FIG. 2 is a front view of the container in FIG. 1, the rear and side views of the claimed design being identical to the front view of FIG. 2.
FIG. 3 is a top view of the container in FIG. 1; and,
FIG. 4 is a bottom view of the container in FIG. 1.
Dash-dash-dash broken lines shown in the drawings represent subject matter that is not part of the claimed design.
Dash-dot-dash broken lines shown in the drawings represent boundaries of the claimed design and are not part of the claimed design.
The heavy-weight evenly-dashed broken break lines, the brackets between the break lines and any portion of the container between the break lines form no part of the claimed design.

1 Claim, 2 Drawing Sheets



(56)

References Cited

U.S. PATENT DOCUMENTS

D709,968 S	7/2014	Thompson	
D720,235 S *	12/2014	Lindstedt	D9/500
D734,163 S *	7/2015	Infahsaeng	D9/500
D787,332 S	5/2017	Peneda	
D790,968 S	7/2017	Thompson	

* cited by examiner

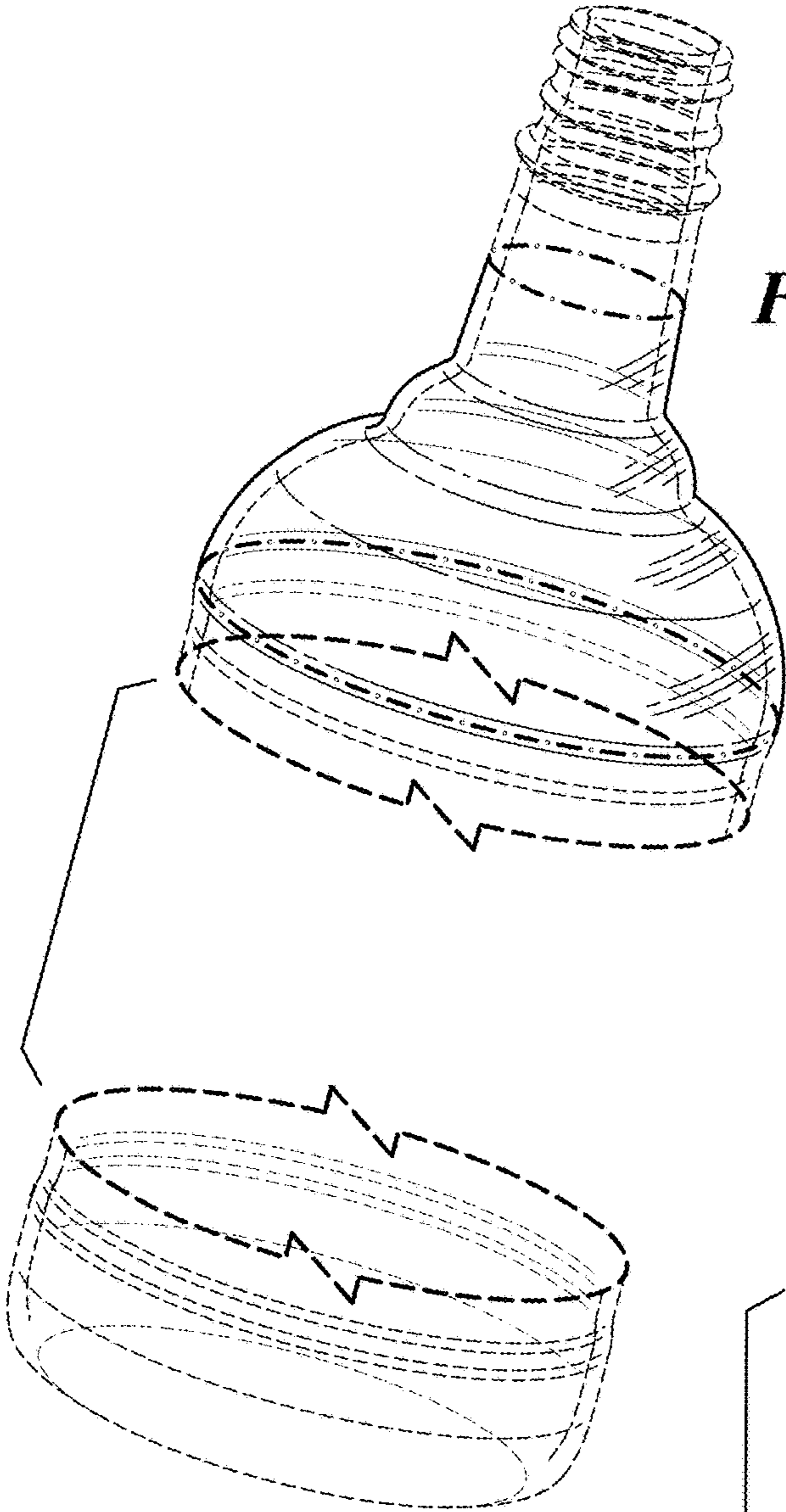


FIG. 1

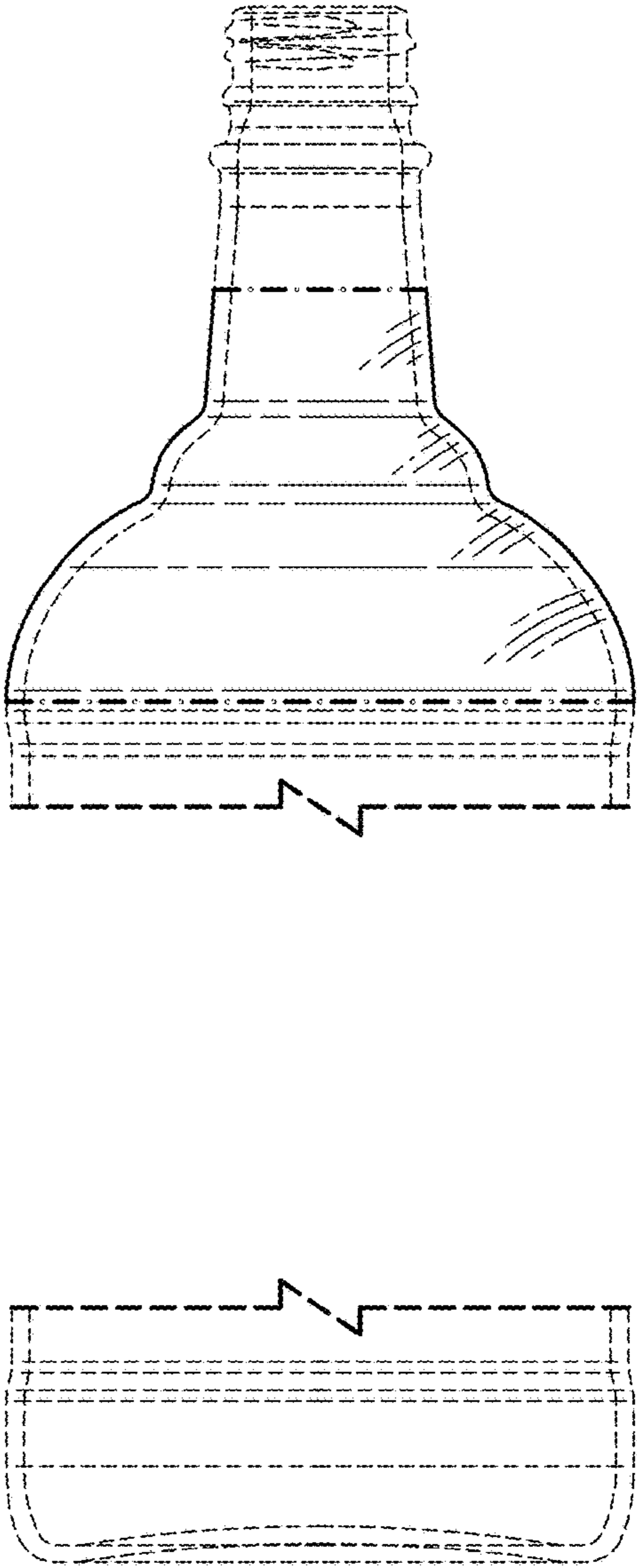


FIG. 2

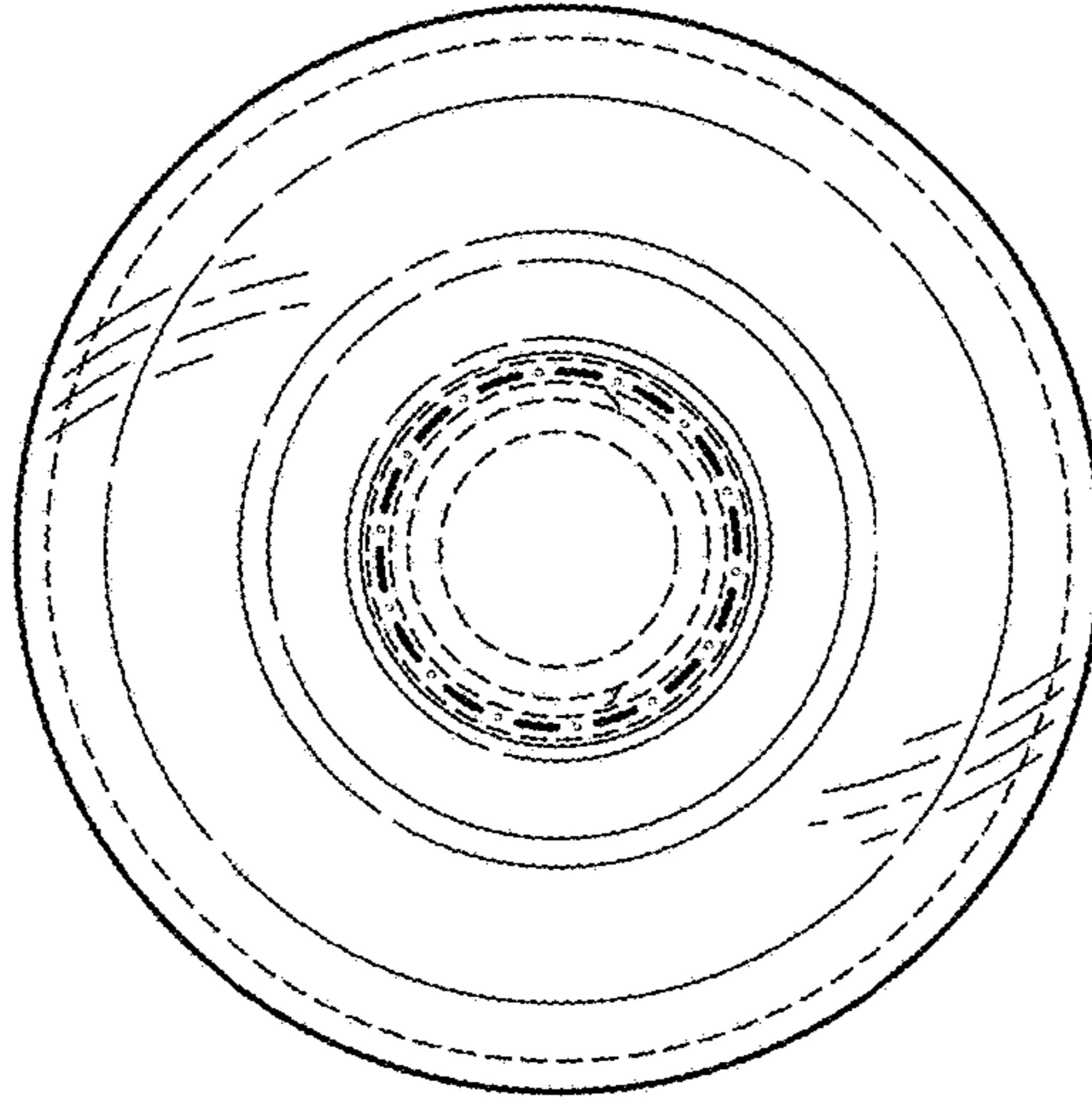


FIG. 3

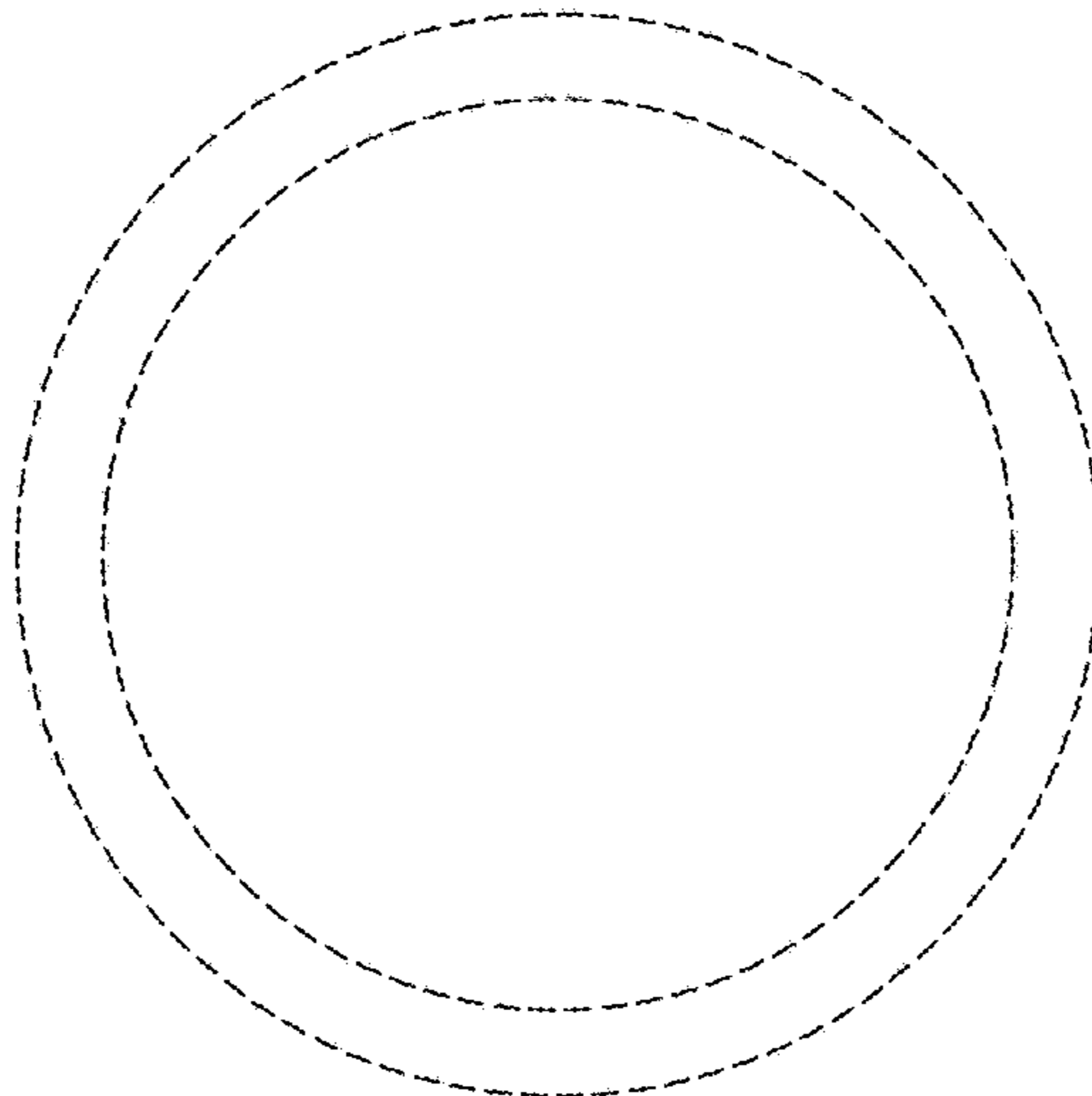


FIG. 4