



US00D850264S

(12) **United States Design Patent**
Luu

(10) **Patent No.:** **US D850,264 S**

(45) **Date of Patent:** **** Jun. 4, 2019**

(54) **BOTTLE**

(71) Applicant: **LeChat**, Hercules, CA (US)

(72) Inventor: **Newton Luu**, Hercules, CA (US)

(73) Assignee: **LeChat**, Hercules, CA (US)

(**) Term: **15 Years**

(21) Appl. No.: **29/644,917**

(22) Filed: **Apr. 20, 2018**

(51) **LOC (11) Cl.** **09-01**

(52) **U.S. Cl.**

USPC **D9/503**; D9/452; D9/454

(58) **Field of Classification Search**

USPC D9/434-435, 447, 452, 454, 500,
D9/503-504, 516, 549, 558, 715, 719;
D4/116

CPC B65D 1/00; B65D 1/02; B65D 1/0223;
B65D 23/00; B65D 51/32; B65D
2501/00; B65D 2501/0009

See application file for complete search history.

(56) **References Cited**

U.S. PATENT DOCUMENTS

D126,234 S * 4/1941 Barbiers D9/502
D253,454 S * 11/1979 Earle D9/500

D259,252 S * 5/1981 Acker D4/116
D449,228 S * 10/2001 Nosella D9/500
D471,108 S * 3/2003 Calderone, Jr. D9/520
D637,915 S * 5/2011 Huang D9/542
D758,737 S * 6/2016 Tan D4/116
D769,124 S * 10/2016 Wieland D9/560
D770,284 S * 11/2016 Luu D9/452
D770,285 S * 11/2016 Luu D9/454
D770,295 S * 11/2016 Luu D9/452
D770,901 S * 11/2016 Luu D9/452
D802,420 S * 11/2017 Luu D9/452
D803,055 S * 11/2017 Luu D9/452
D805,910 S * 12/2017 Luu D9/560
D836,444 S * 12/2018 Tan D9/500

* cited by examiner

Primary Examiner — Dana Meyrow

(74) *Attorney, Agent, or Firm* — Aka Chan LLP

(57) **CLAIM**

The ornamental design for a bottle, as shown and described.

DESCRIPTION

FIG. 1 is a perspective view of a bottle showing my new design;

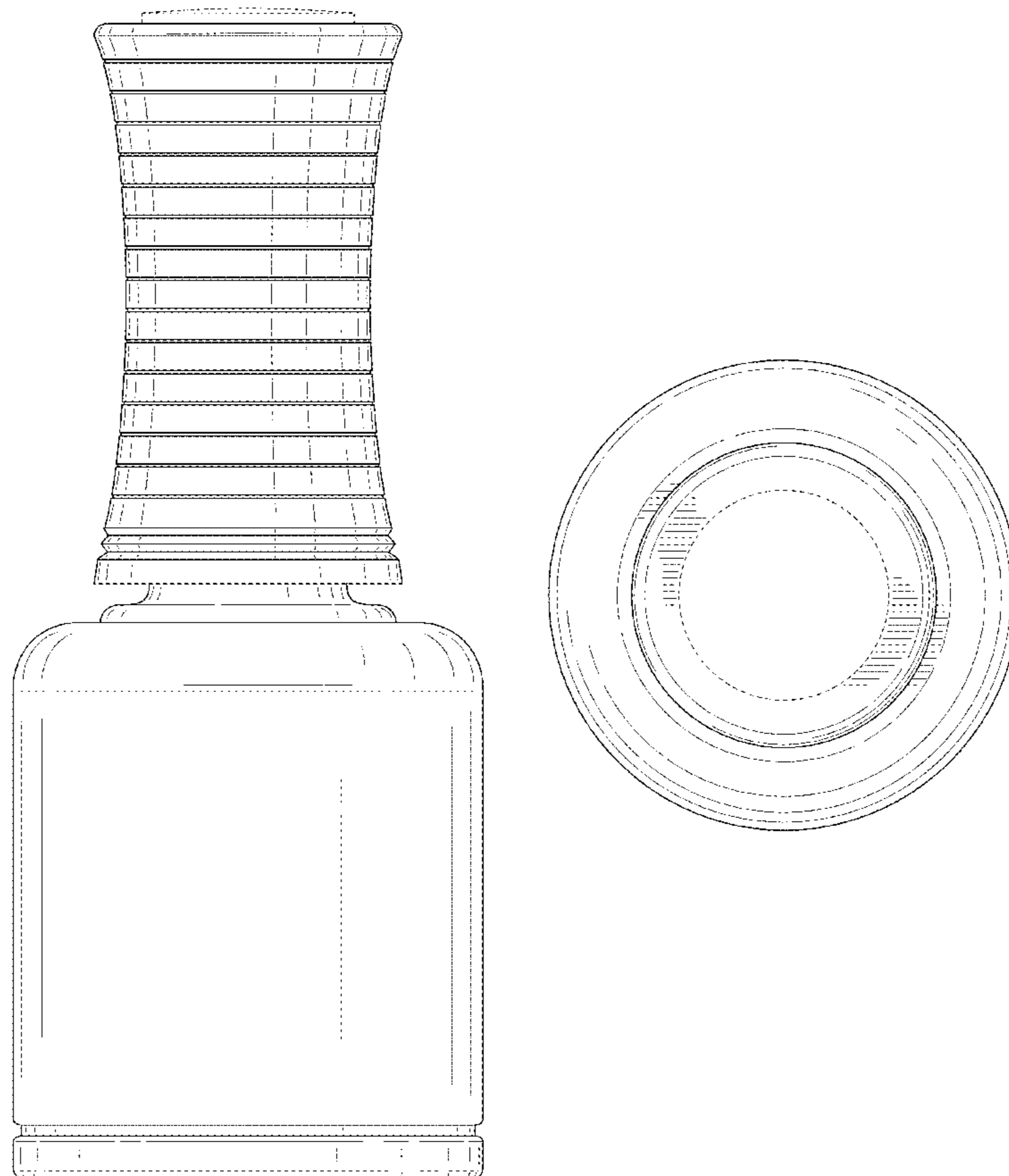
FIG. 2 is a side view thereof;

FIG. 3 is a top view thereof; and,

FIG. 4 is a bottom plan view thereof.

The broken lines in the drawings illustrate the portions of the bottle that form no part of the claim.

1 Claim, 3 Drawing Sheets



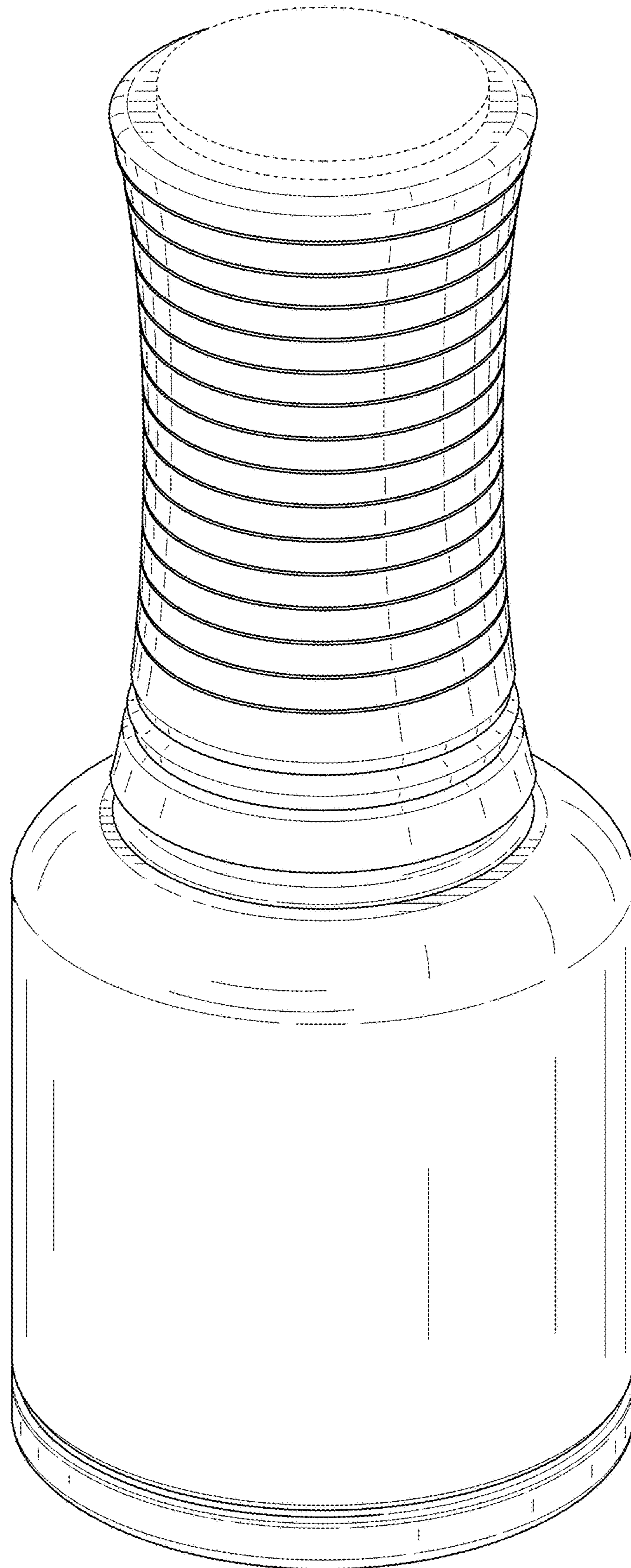


FIG. 1

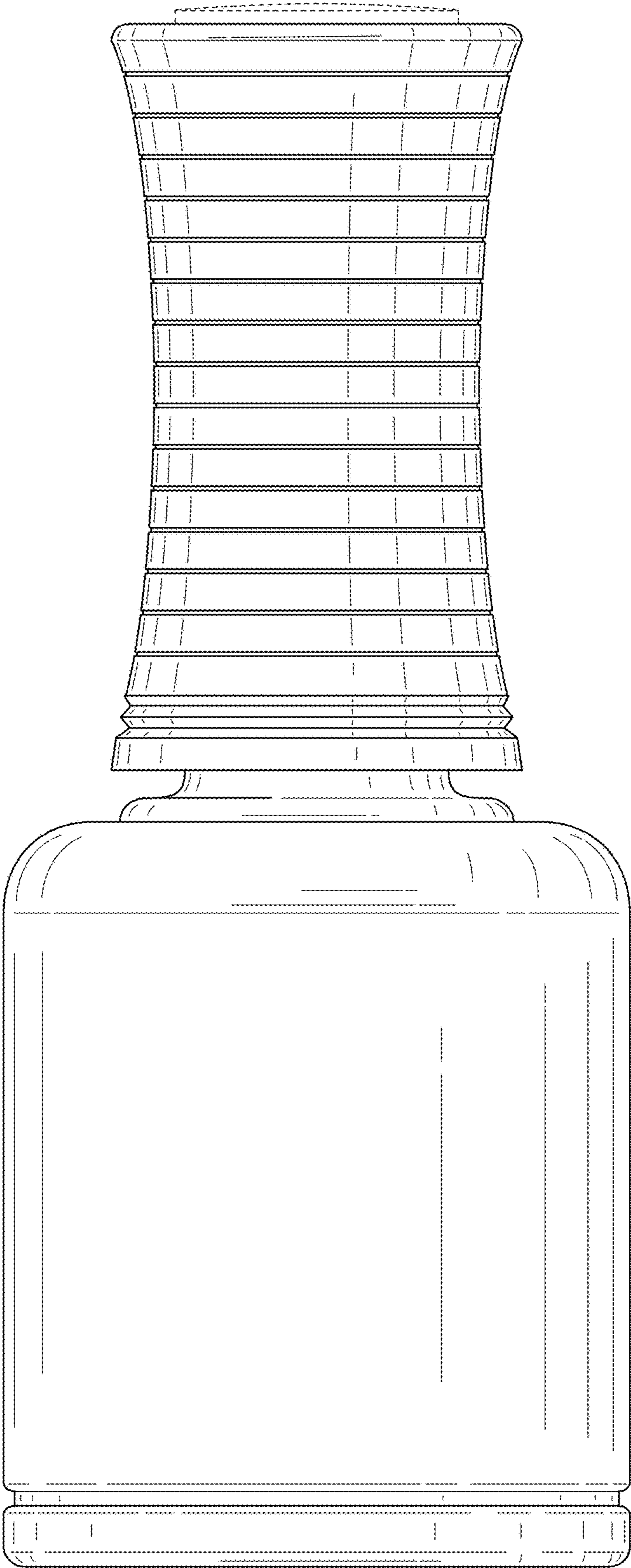


FIG. 2

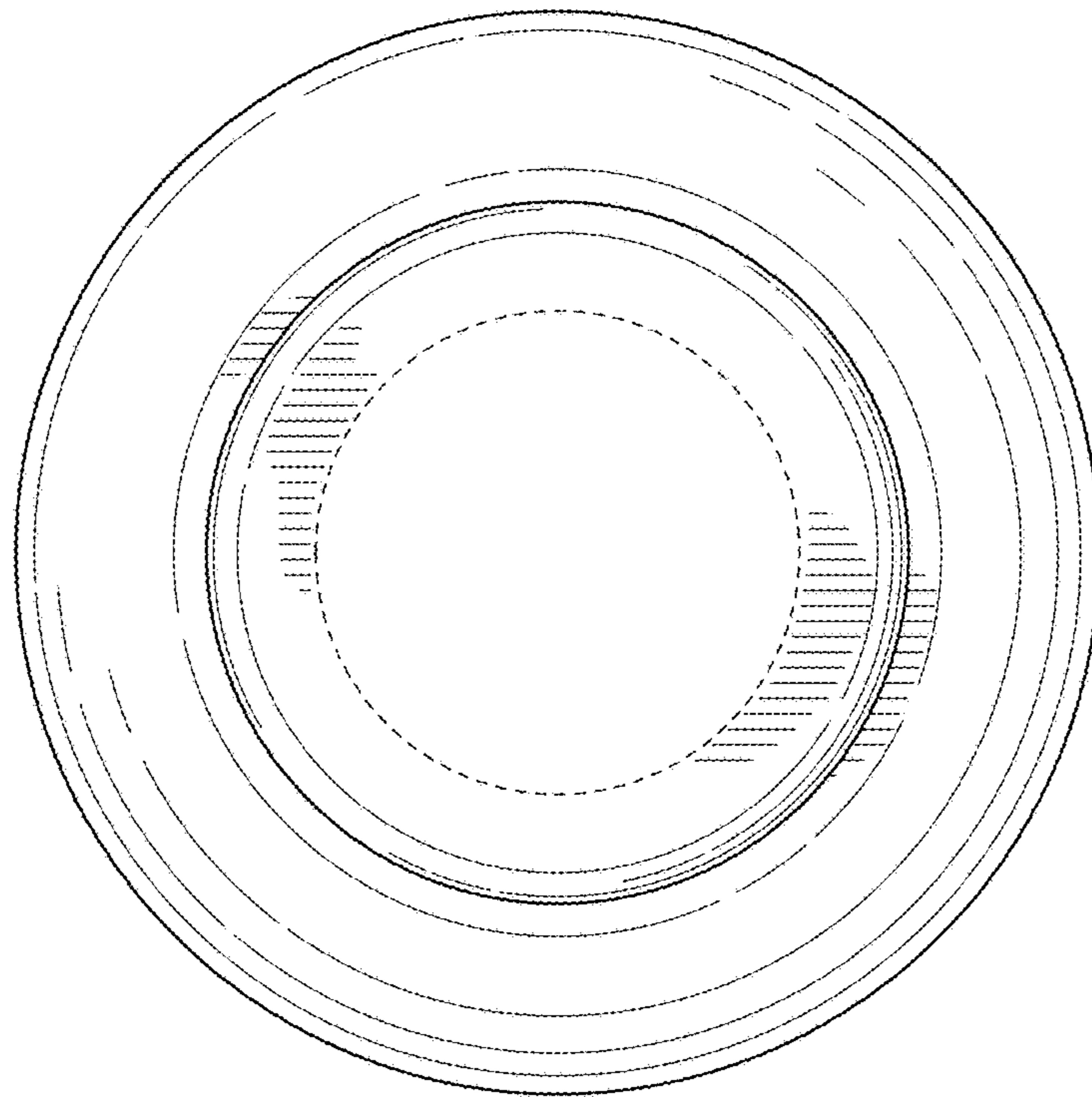


FIG. 3

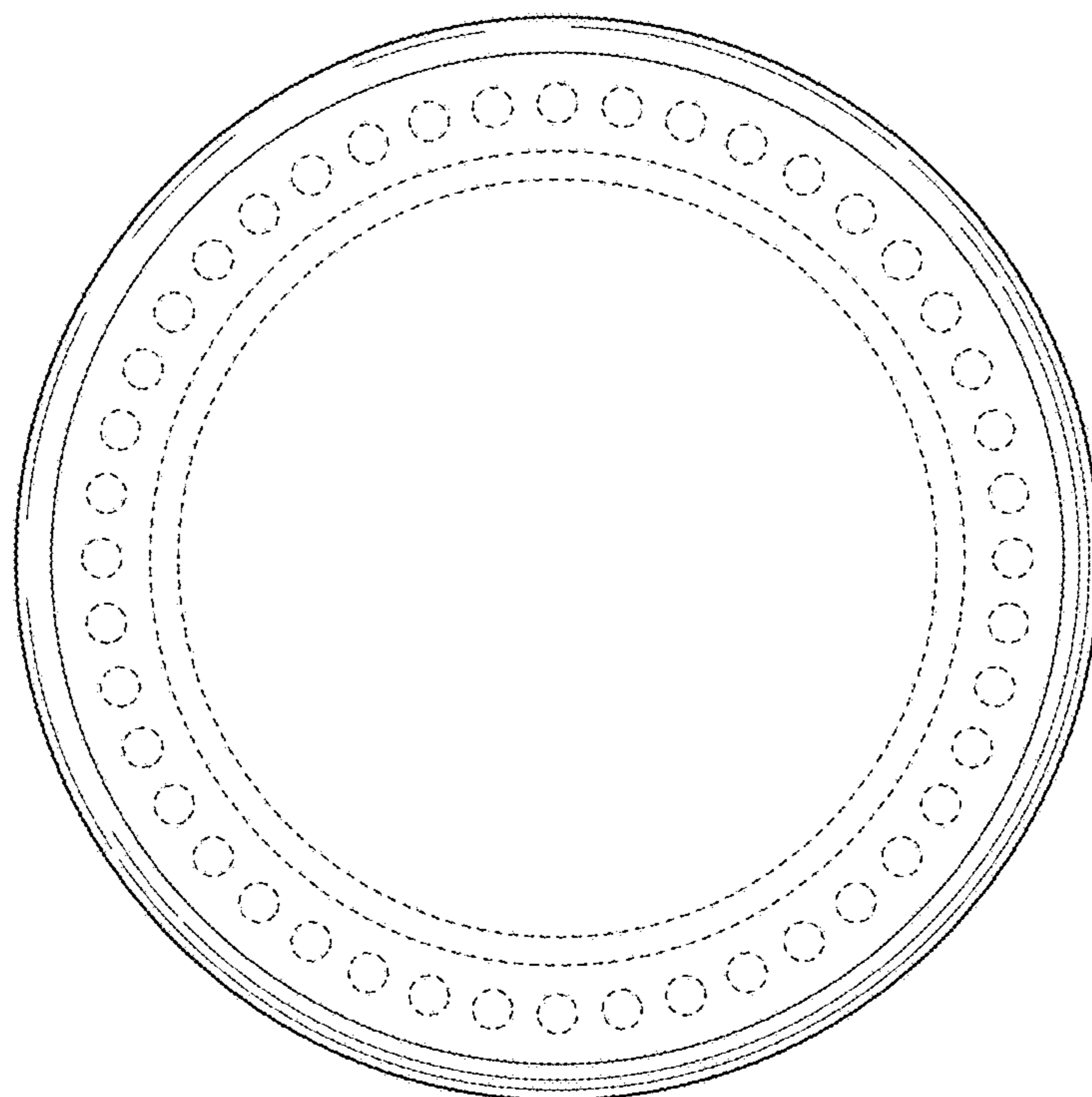


FIG. 4