



US00D850262S

(12) **United States Design Patent**
Matthews et al.

(10) **Patent No.:** **US D850,262 S**
(45) **Date of Patent:** **** Jun. 4, 2019**

(54) **TRAY FOR A PACKAGING CONTAINER**

2501/24165; B65D 2501/24152; B65D
85/30; B65D 85/32; B65D 81/05; B65D
81/053; B65D 81/054; B65D 81/24;
B65D

(71) Applicant: **Who-Rae Australia, LLC**, Compton,
CA (US)

(Continued)

(72) Inventors: **Giles Frederick Matthews**, Hawthorn
(AU); **Elizabeth Helen Christmas**,
Pascoe Vale (AU); **Lorin Megan**
Windahl, Spotswood (AU)

(56) **References Cited**

U.S. PATENT DOCUMENTS

(73) Assignee: **CA Acquisitions, LLC**, Richmond, IL
(US)

3,251,460 A * 5/1966 Edmonds B65D 11/00
206/523
D230,657 S * 3/1974 Begun D28/76

(**) Term: **15 Years**

(Continued)

(21) Appl. No.: **29/614,137**

Primary Examiner — Jennifer Rivard

Assistant Examiner — Catherine S Posthauer

(22) Filed: **Aug. 16, 2017**

(74) *Attorney, Agent, or Firm* — Wood Herron & Evans
LLP

Related U.S. Application Data

(62) Division of application No. 29/504,832, filed on Oct.
9, 2014, now Pat. No. Des. 804,307.

(57) **CLAIM**

We claim the ornamental design for a tray for a packaging
container, as shown and described.

(30) **Foreign Application Priority Data**

Jul. 22, 2014 (AU) 201413581
Jul. 22, 2014 (AU) 201413582
Jul. 22, 2014 (AU) 201413583
Jul. 22, 2014 (AU) 201413584

DESCRIPTION

(51) **LOC (11) Cl.** **09-07**

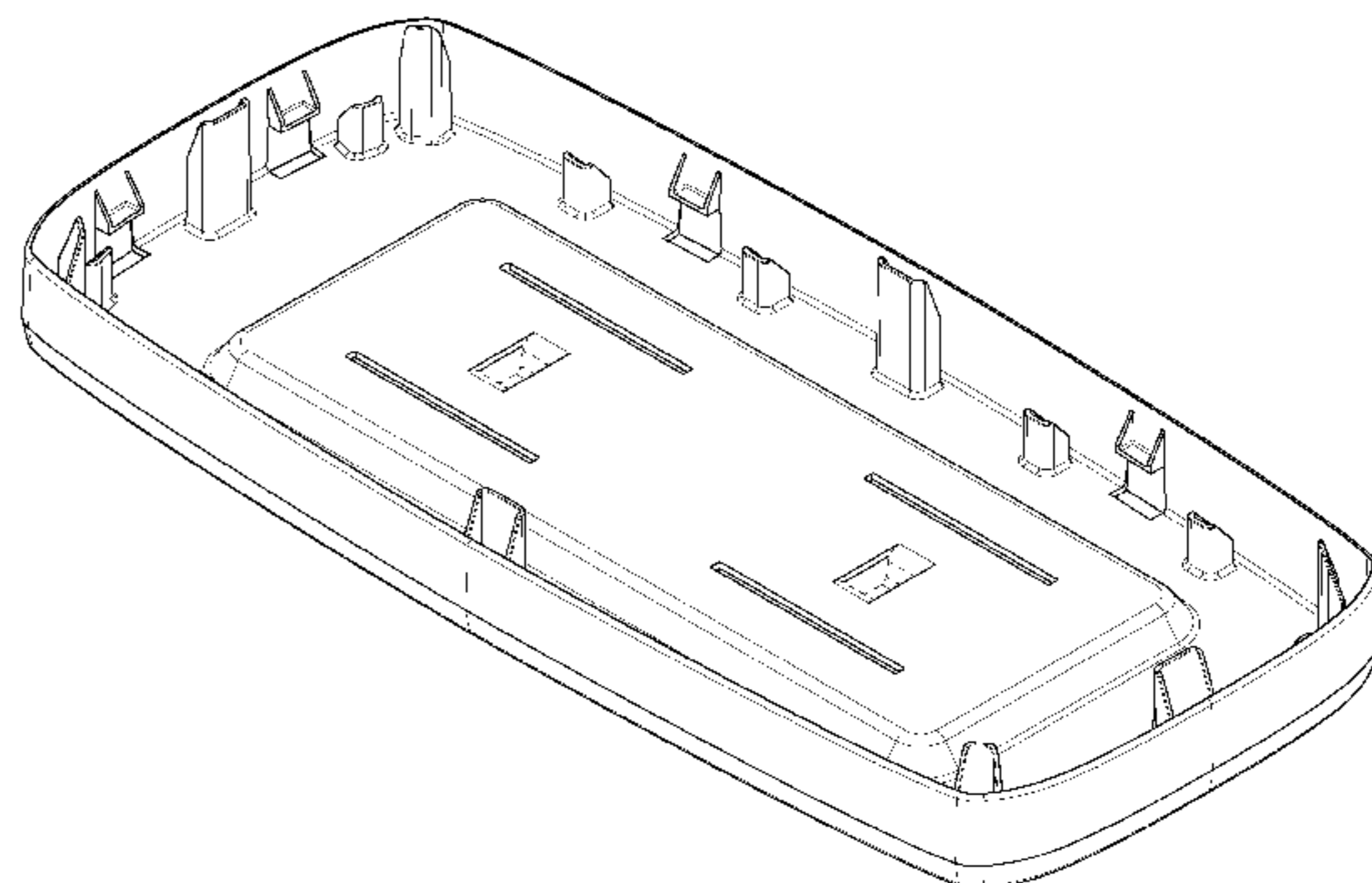
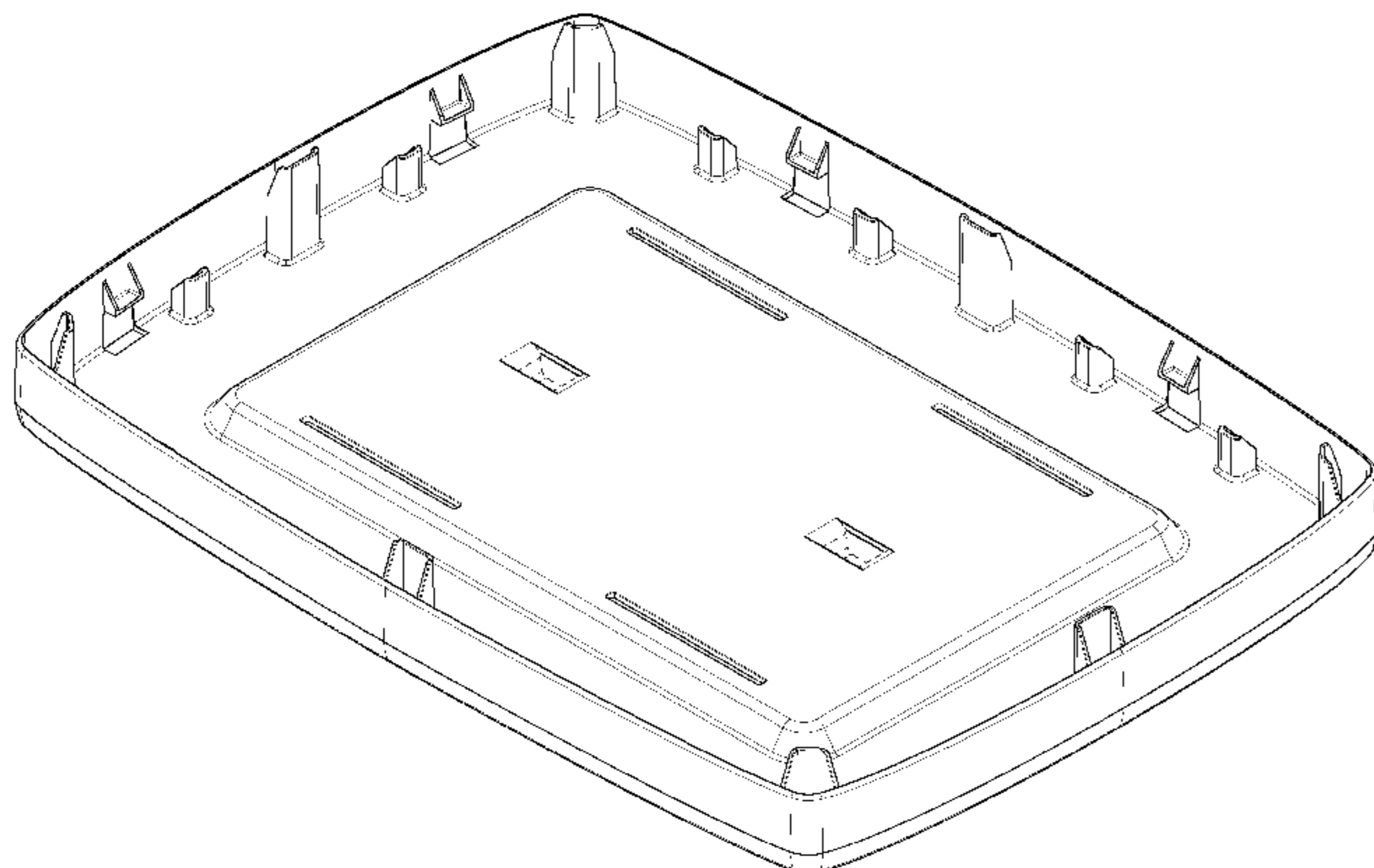
(52) **U.S. Cl.**
USPC **D9/456**

(58) **Field of Classification Search**
USPC D3/272, 273, 302, 304, 310, 313, 315,
D3/319, 901; D6/512, 515-525;
D7/552.1, 553.1, 553.2, 554.1, 600.1,
D7/602, 614, 701, 704; D9/414, 418,
D9/420-424, 427, 430-435, 455, 456,
D9/517, 737, 738, 739, 740, 741, 744,
D9/745; D14/248, 251, 253; D19/1, 27;
D24/227-229, 232; D32/55, 58
CPC B65D 11/00; B65D 11/18; B65D 5/5097;
B65D 15/22; B65D 2585/6882; B65D
2585/6837; B65D 2501/24019; B65D

FIG. 1 is a front view of one embodiment of our new design
for a tray for a packaging container;
FIG. 2 is a bottom view thereof;
FIG. 3 is a side view thereof;
FIG. 4 is a perspective view thereof;
FIG. 5 is a top view thereof;
FIG. 6 is a front view of another embodiment of our new
design for a tray for a packaging container;
FIG. 7 is a bottom view thereof;
FIG. 8 is a side view thereof;
FIG. 9 is a perspective view thereof; and,
FIG. 10 is a top view thereof.

The broken lines are shown for the purpose of illustrating
parts of the tray for a packaging container that form no part
of the claim.

1 Claim, 10 Drawing Sheets



(58) **Field of Classification Search**

CPC 81/127; Y10S 206/811; G02F 1/133308;
B65B 1/04

See application file for complete search history.

(56) **References Cited**

U.S. PATENT DOCUMENTS

D283,104 S * 3/1986 Bigando D6/634
D326,777 S * 6/1992 Newby, Sr. D3/319
D328,102 S * 7/1992 Buzak D19/78
D333,028 S 2/1993 Lux, Jr.
5,651,461 A 7/1997 Apps et al.
D440,118 S * 4/2001 Claffy D7/553.1
D453,871 S * 2/2002 Perry D34/38
D465,417 S * 11/2002 Apps D9/456
D479,414 S * 9/2003 Sparkowski D9/456
D484,697 S 1/2004 McCoy et al.
D510,704 S * 10/2005 Koizumi D9/456
D589,798 S * 4/2009 Liipola D9/456
D620,605 S 7/2010 Reitze
D634,541 S * 3/2011 Gutierrez D3/313
D645,156 S 9/2011 Reitze
D661,188 S * 6/2012 Fahy D9/456
D661,189 S * 6/2012 Fahy D9/456
D674,709 S * 1/2013 Akana D9/432
D676,321 S * 2/2013 Jones D9/456
D708,347 S * 7/2014 Lober D24/227
D723,920 S * 3/2015 Wakeham D9/456
D749,417 S * 2/2016 Bate D9/456
D752,437 S 3/2016 Heintzelman et al.
2004/0124112 A1 * 7/2004 Kuhn B65D 81/1275
206/521
2014/0166522 A1 * 6/2014 Kuo B65D 85/30
206/454

* cited by examiner

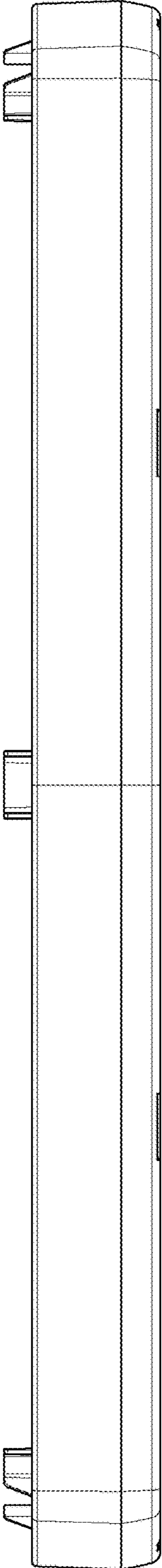
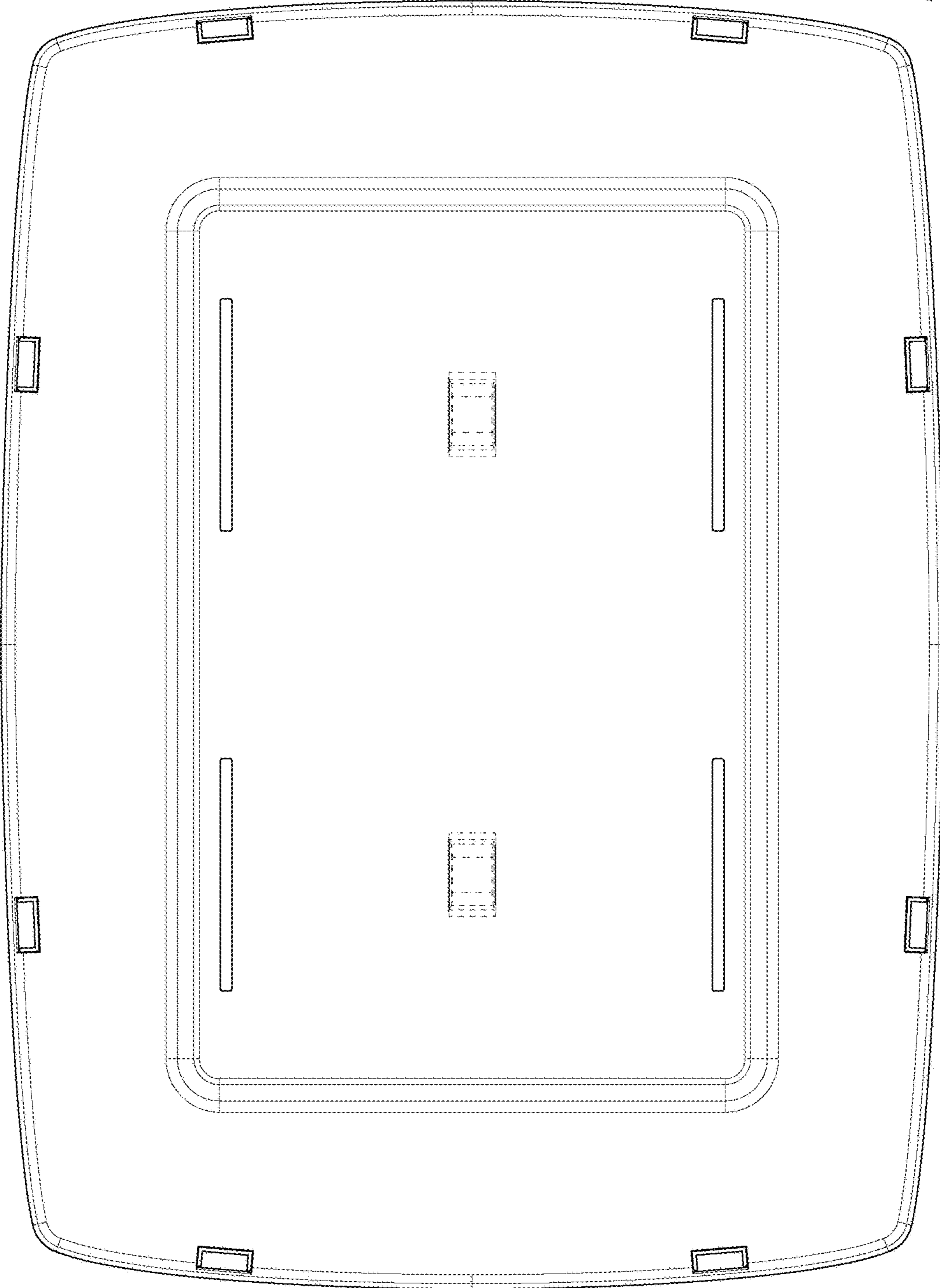


FIG. 1

FIG. 2



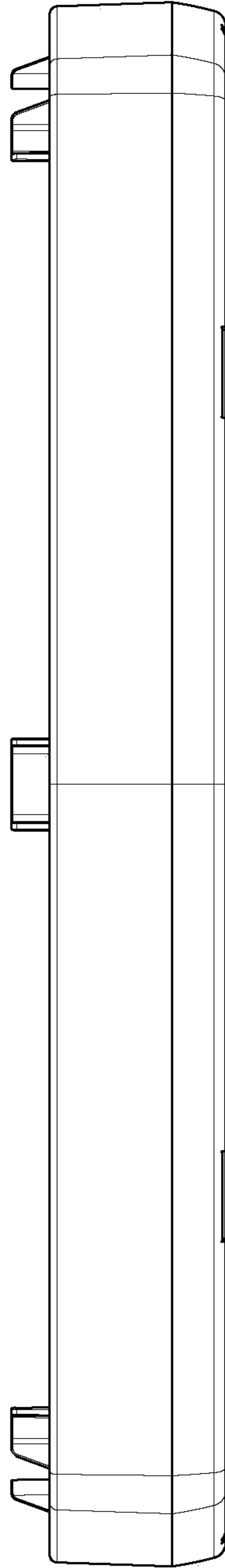


FIG. 3

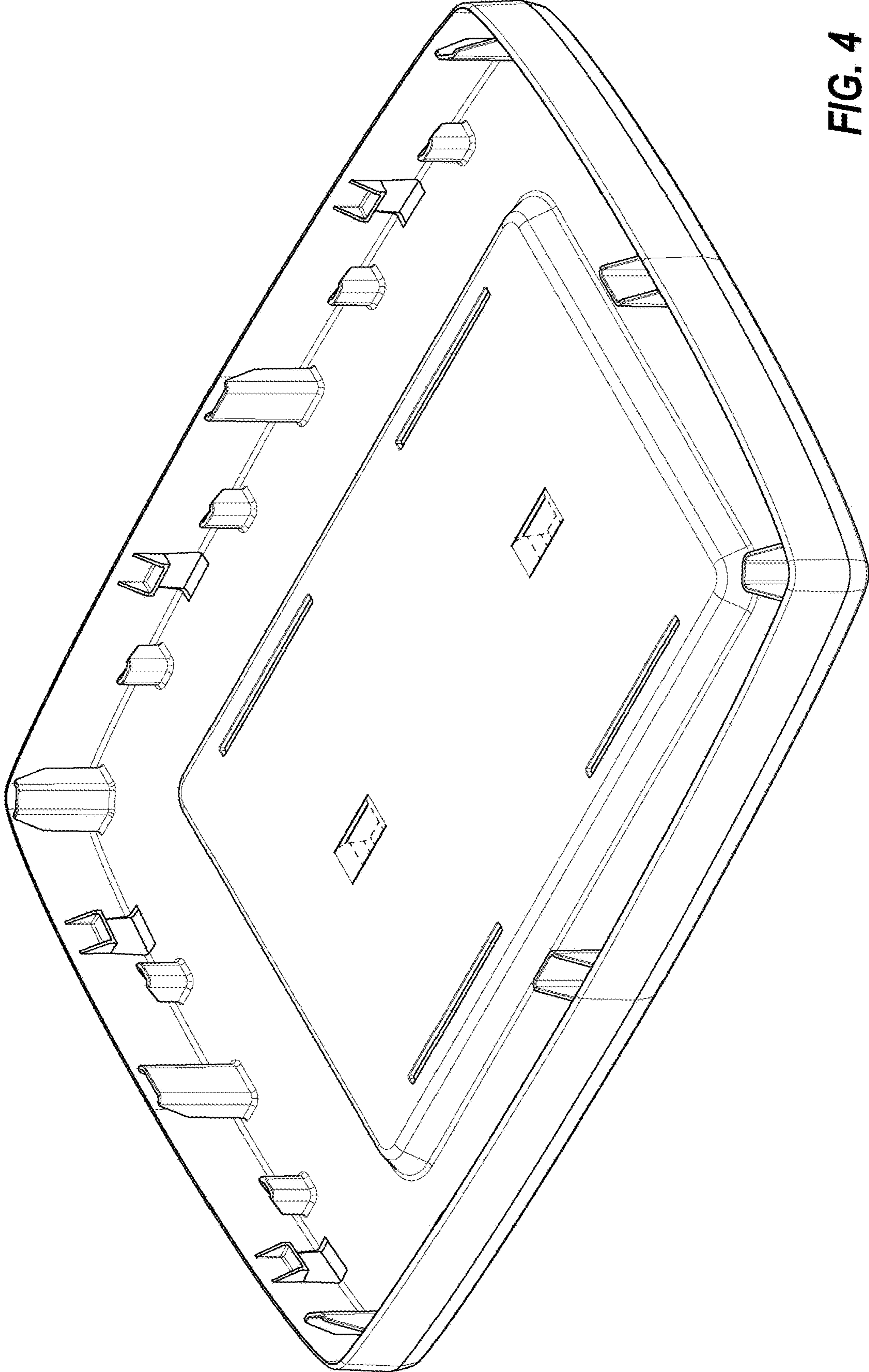


FIG. 4

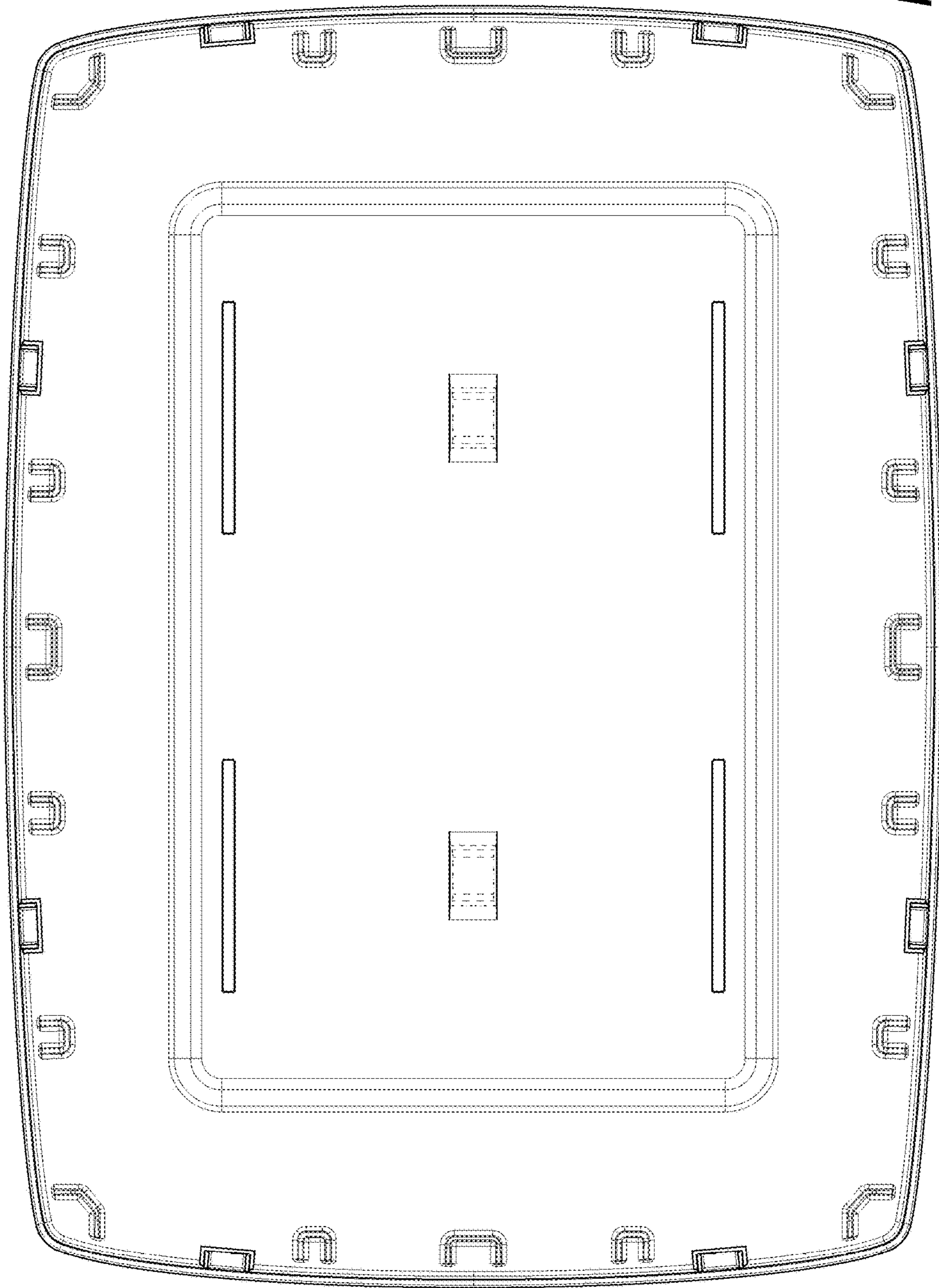


FIG. 5

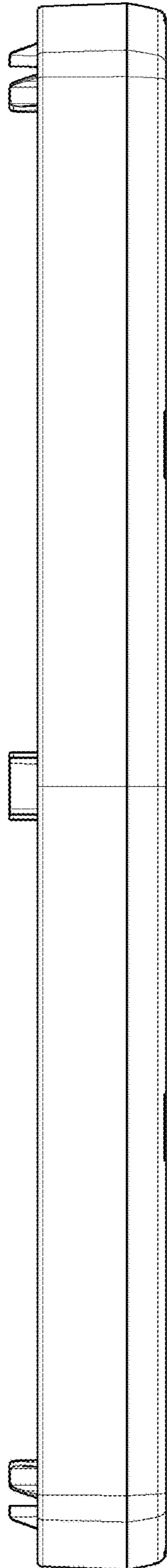


FIG. 6

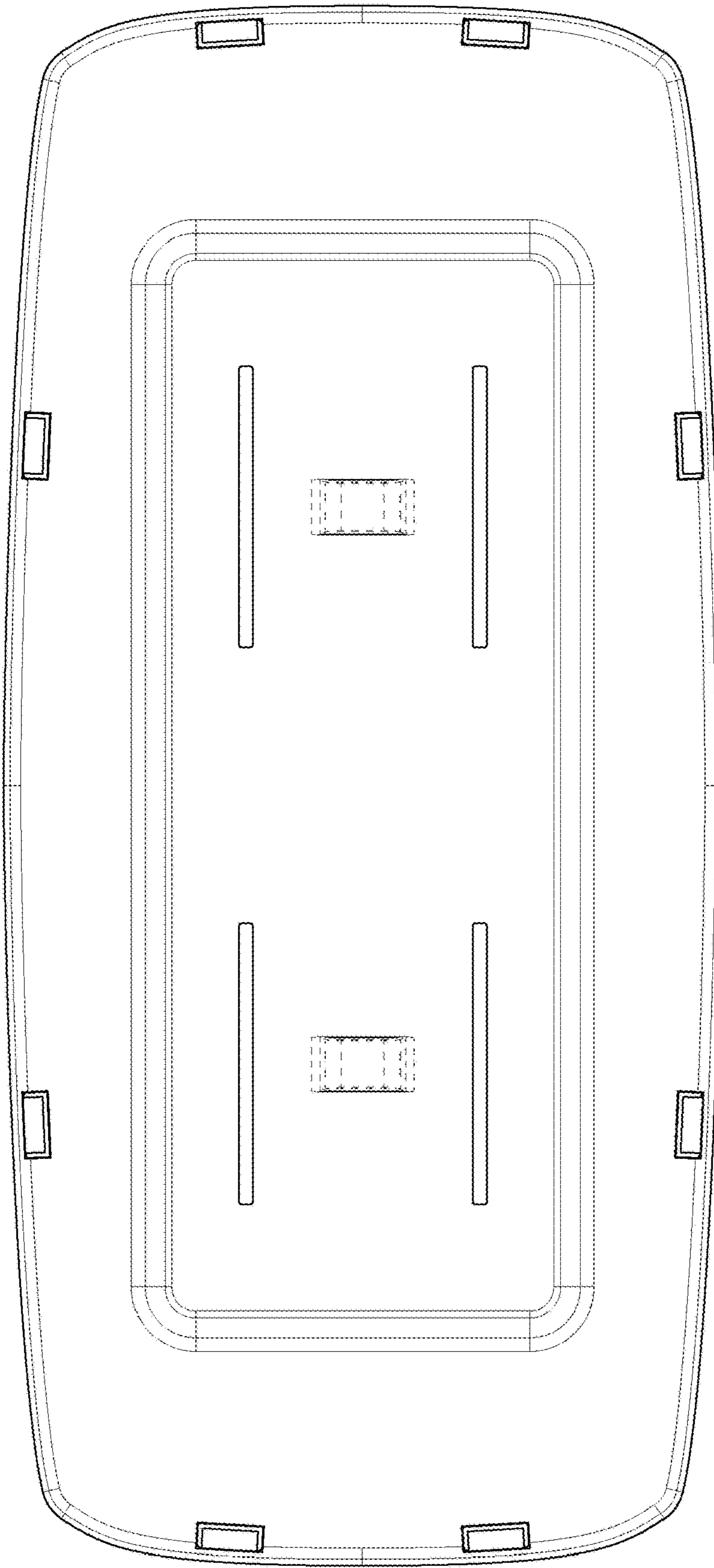


FIG. 7

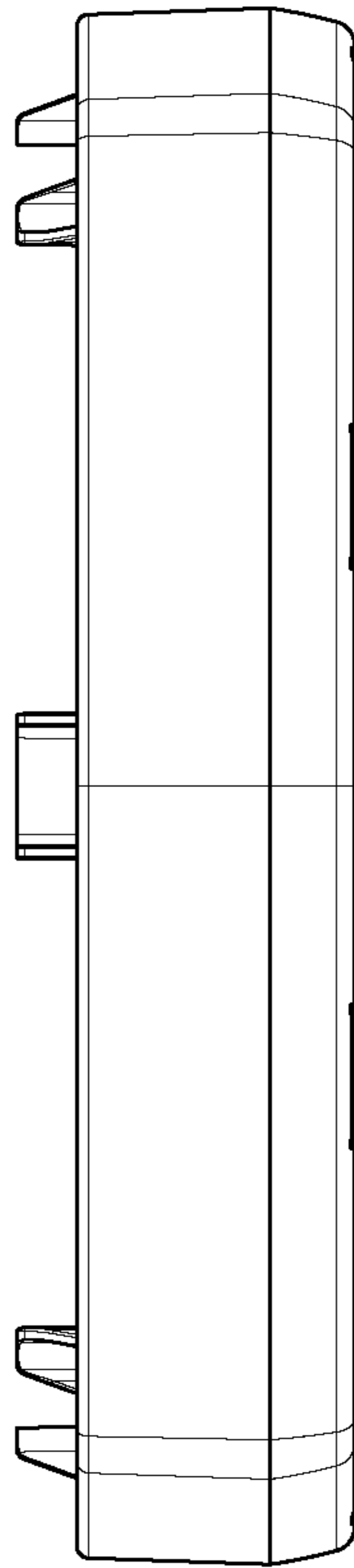


FIG. 8

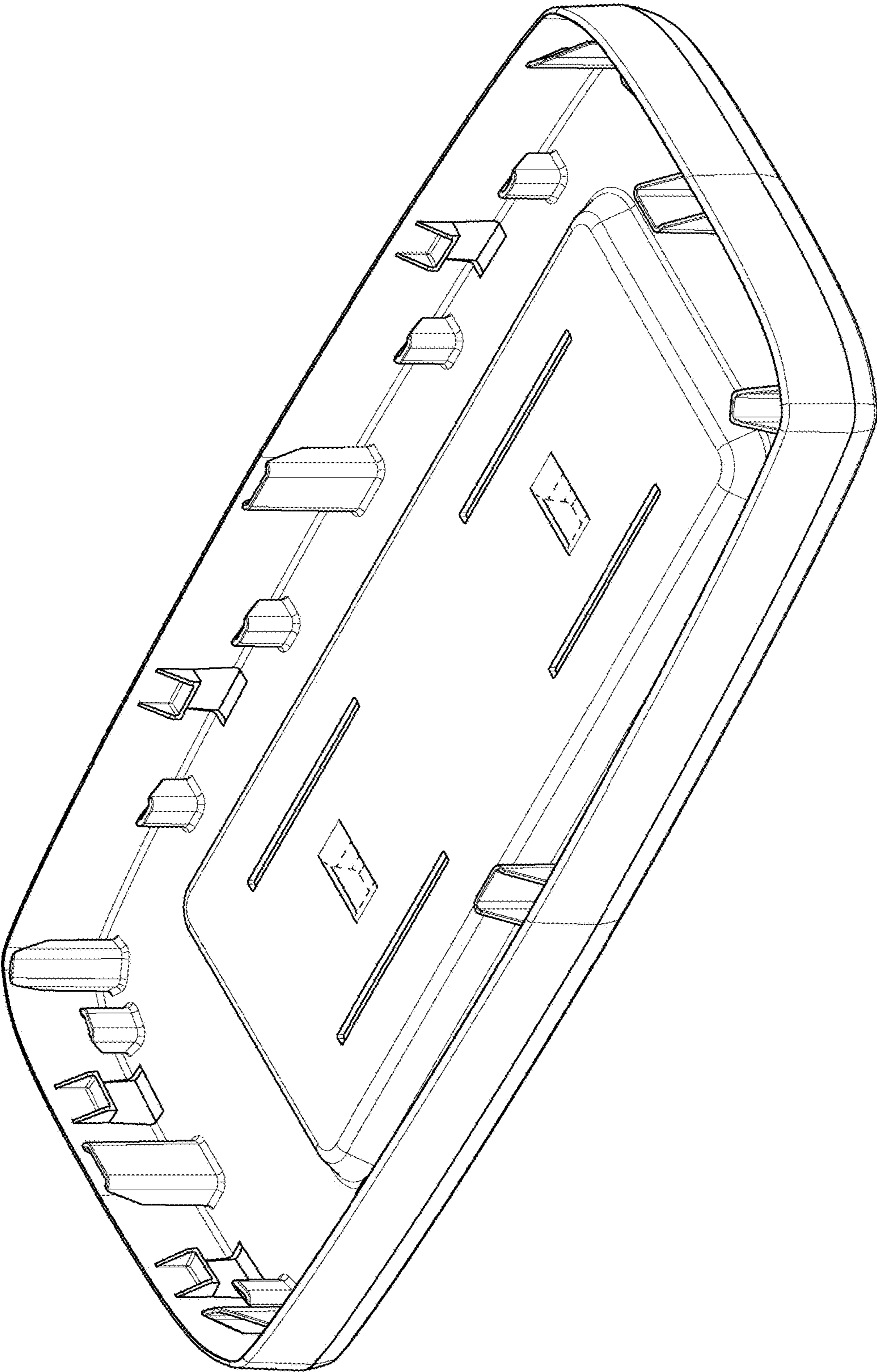


FIG. 9

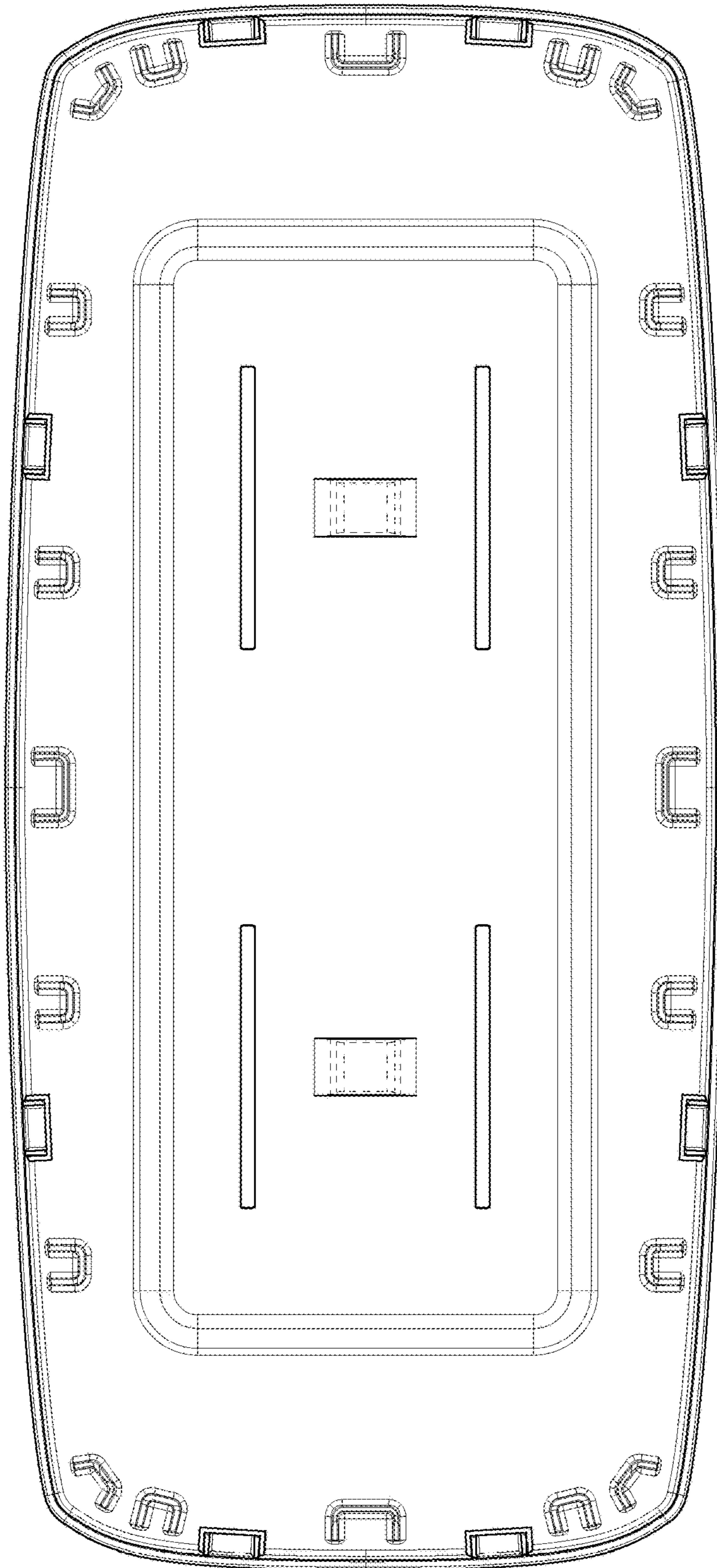


FIG. 10