



US00D850259S

(12) **United States Design Patent**
Wiggins

(10) **Patent No.:** **US D850,259 S**
(45) **Date of Patent:** **** Jun. 4, 2019**

- (54) **LID WITH FLIP TOP CAP**
- (71) Applicant: **Dart Industries Inc.**, Orlando, FL (US)
- (72) Inventor: **James Michael Wiggins**, Orlando, FL (US)
- (73) Assignee: **Dart Industries Inc.**, Orlando, FL (US)
- (**) Term: **15 Years**
- (21) Appl. No.: **29/625,713**
- (22) Filed: **Nov. 13, 2017**

5,299,604 A * 4/1994 Pierce B65D 47/089
141/18
D355,121 S * 2/1995 Kohl D9/447
D409,488 S * 5/1999 Mohary D9/449
D411,745 S * 6/1999 Mohary D9/449
6,098,830 A * 8/2000 Jamieson B65D 17/4014
220/259.1
D447,693 S * 9/2001 Warner D9/450
D482,936 S 12/2003 Miller et al.
D516,425 S * 3/2006 Haffner D9/449

(Continued)

Primary Examiner — Michael A. Pratt
Assistant Examiner — Wendy L Arminio
(74) *Attorney, Agent, or Firm* — Taylor J. Ross

Related U.S. Application Data

- (62) Division of application No. 29/548,544, filed on Dec. 15, 2015, now Pat. No. Des. 809,918.
- (51) **LOC (11) Cl.** **09-07**
- (52) **U.S. Cl.**
USPC **D9/449**
- (58) **Field of Classification Search**
USPC D9/434, 435, 443–450, 454, 499, 682, D9/685, 686; D7/387, 392, 392.1, 393, D7/396.2, 396.3, 396.4, 401.1, 507, D7/509–511, 538, 900; D3/202, 203.2, D3/318; D28/91.1
CPC .. A61J 1/00; A61J 1/1412; B65D 1/00; B65D 1/02; B65D 1/10; B65D 1/46; B65D 2585/56; B65D 41/00; B65D 41/38; B65D 41/56; B65D 41/62; B65D 47/00; B65D 47/06; B65D 47/08; B65D 2543/00046; B65D 2543/00092; B65D 2543/00296; B65D 5/46; B65D 2251/00
See application file for complete search history.

(57) **CLAIM**

The ornamental design for a lid with flip top cap, as shown and described.

DESCRIPTION

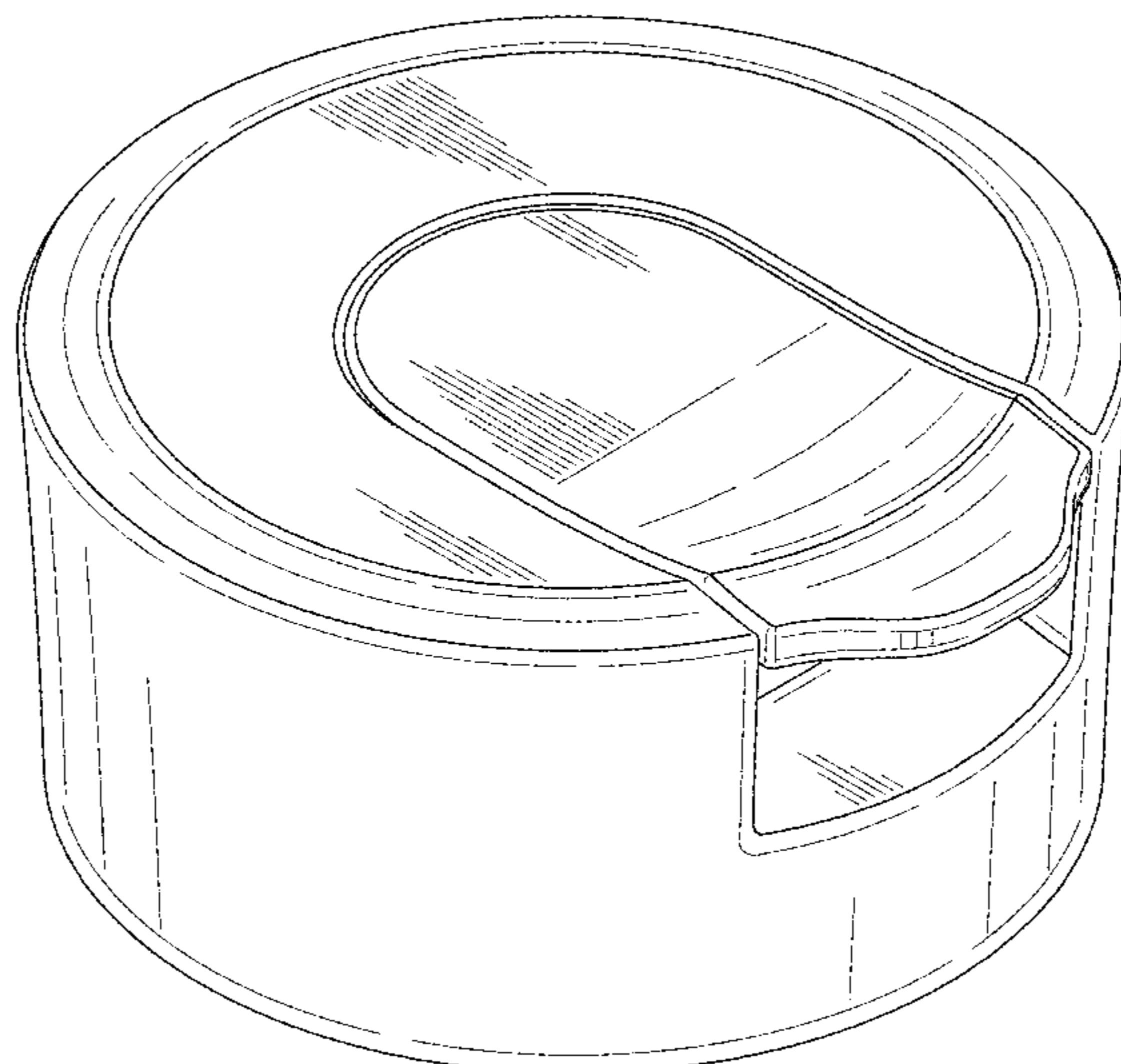
This application is related to co-pending Ser. No. 29/548,544, filed Dec. 15, 2015.
FIG. 1 is a top, front and right side perspective view of a lid with flip top cap, with the flip top cap in the closed position; FIG. 2 is a top, front and right side perspective view of a lid with flip top cap, with the flip top cap in the open position; FIG. 3 is a bottom, rear and right side perspective view thereof, with the flip top cap in the closed position; FIG. 4 is a top plan view thereof; FIG. 5 is a bottom plan view thereof; FIG. 6 is a right side elevation view, the left side being a mirror image thereof; FIG. 7 is a front elevation view thereof; and, FIG. 8 is a rear elevation view thereof.
The broken lines depict portions of the lid with flip top cap that form no part of the claimed design.

1 Claim, 5 Drawing Sheets

(56) **References Cited**

U.S. PATENT DOCUMENTS

- 4,170,724 A * 10/1979 Waterbury B65D 17/506
206/807
- 4,989,746 A * 2/1991 Pierce B65D 47/0895
220/254.3



(56)

References Cited

U.S. PATENT DOCUMENTS

D529,379	S *	10/2006	Mengeu	D9/447
D542,132	S *	5/2007	Pugne	D9/449
D558,401	S *	12/2007	Hadtke	D28/66
D592,915	S *	5/2009	Olivari	D7/590
D609,092	S	2/2010	Laib et al.	
D647,532	S *	10/2011	Busch	D14/480.3
D650,672	S *	12/2011	Krallmann	D9/449
D667,268	S	9/2012	Pallotto	
D673,807	S *	1/2013	Grider	D7/391
D676,713	S	2/2013	Jalet	
D731,851	S	6/2015	Yessin et al.	
D732,337	S *	6/2015	Coon	D7/392.1
D752,381	S *	3/2016	Wahl	D7/392.1
D778,113	S *	2/2017	Ni	D7/507
D788,583	S *	6/2017	Tu	D7/392.1
D794,458	S *	8/2017	Lloyd	D9/449
D796,256	S *	9/2017	Stover	D7/396.2
2010/0127011	A1 *	5/2010	Britto	B65D 47/0852
				220/810
2015/0083724	A1 *	3/2015	Lagace	B65D 47/0847
				220/258.4
2015/0164255	A1 *	6/2015	Coon	B65D 47/241
				220/254.3
2017/0253396	A1 *	9/2017	Coon	B65D 47/0866

* cited by examiner

FIG. 1

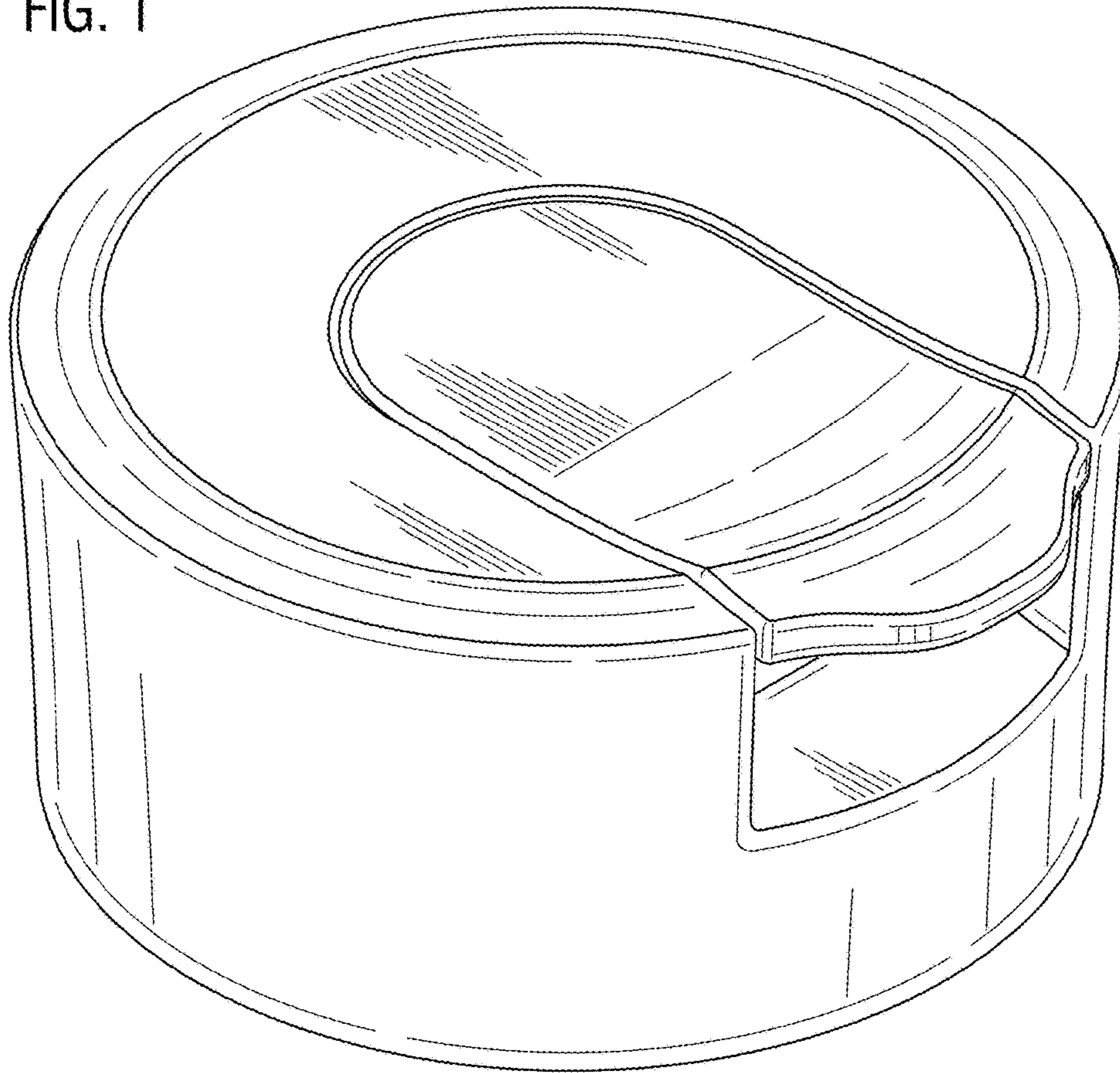


FIG. 6

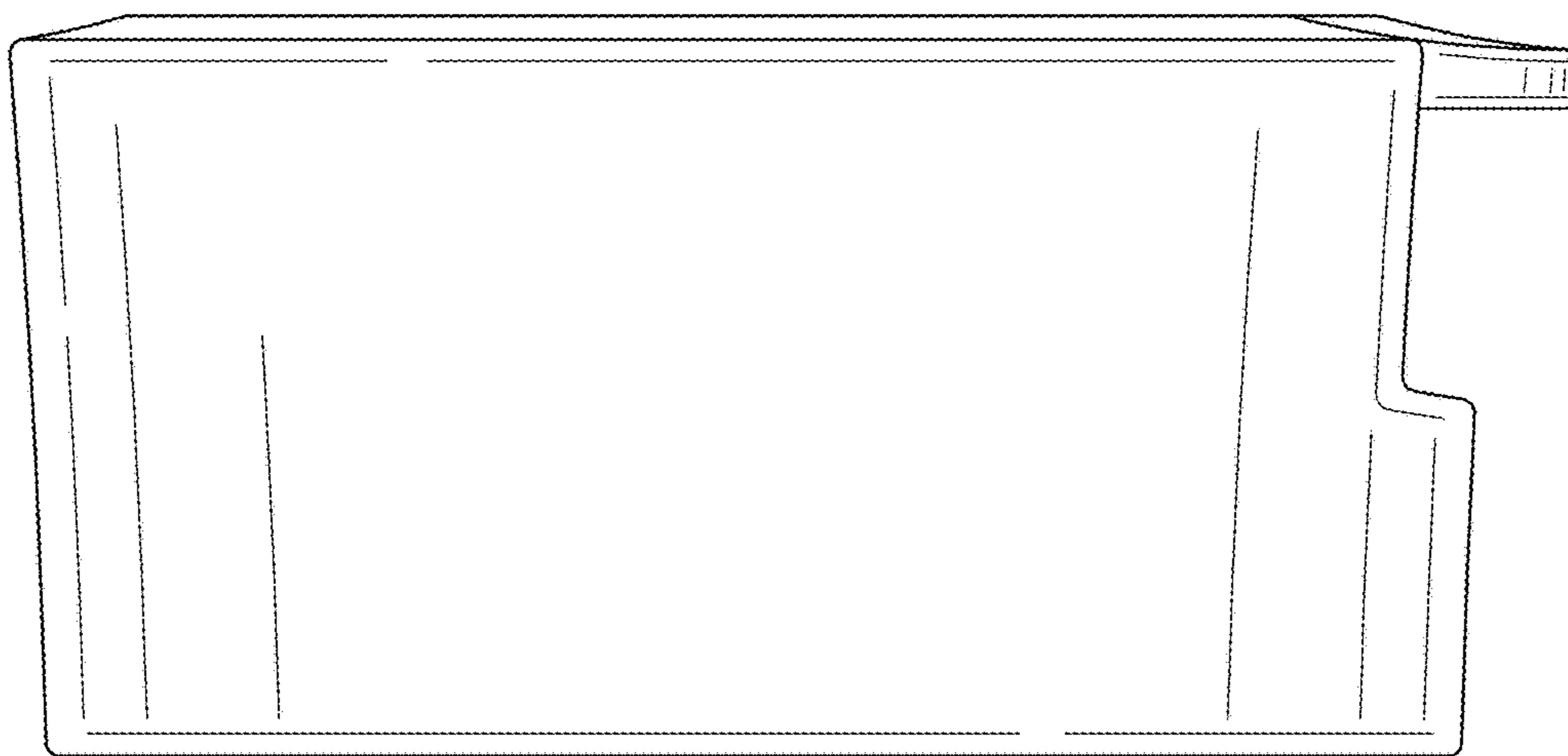


FIG. 2

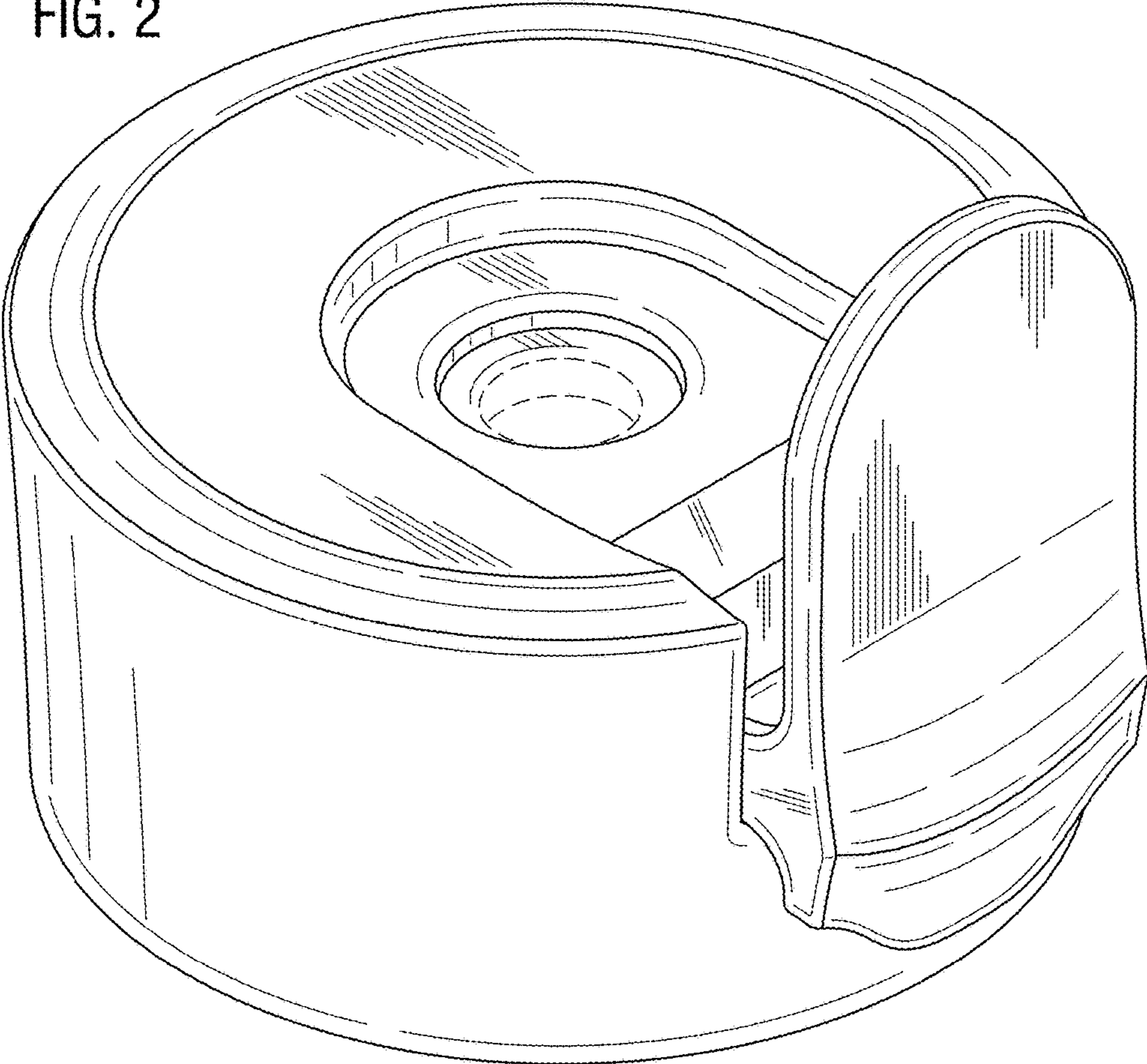


FIG. 7

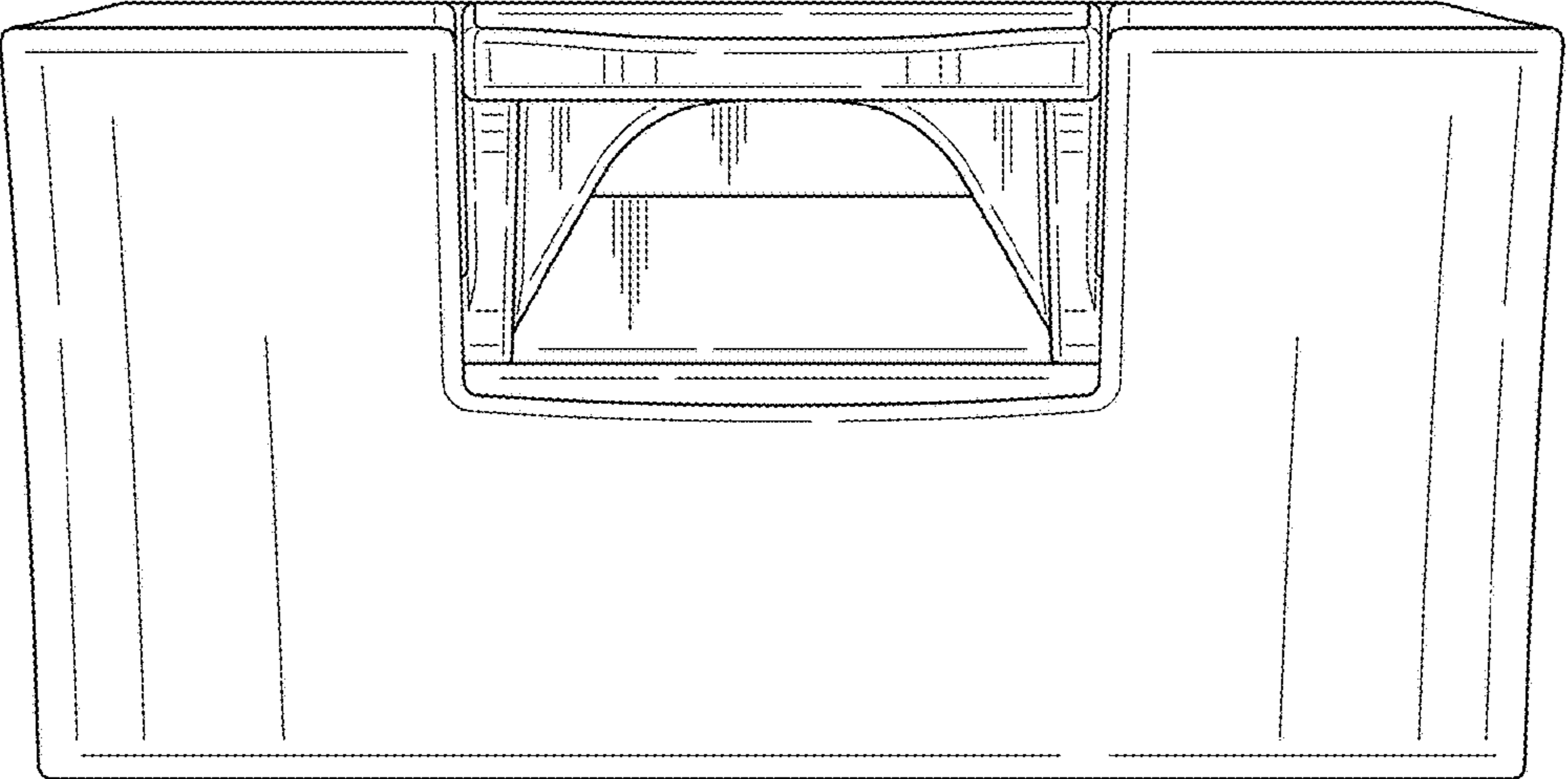


FIG. 3

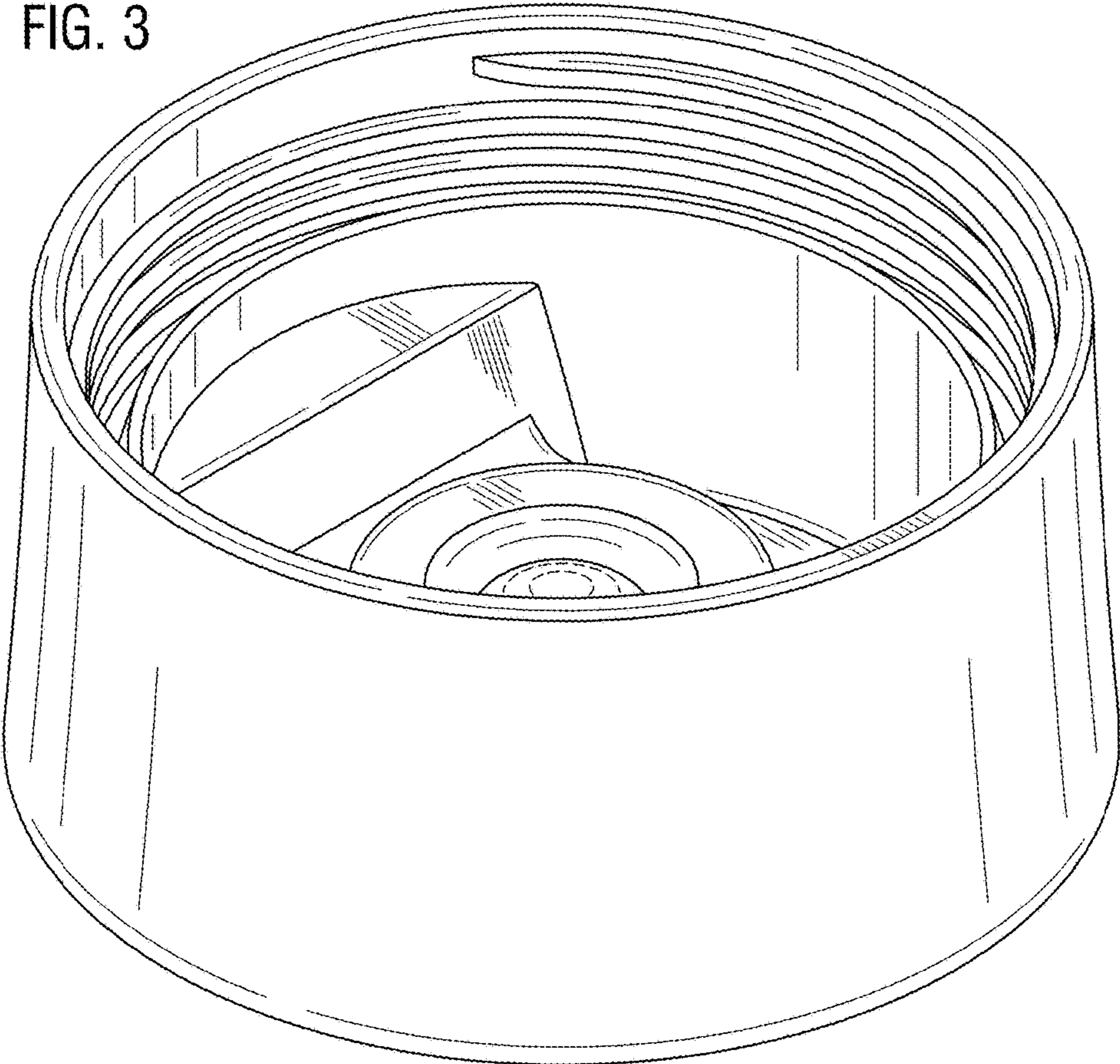


FIG. 8

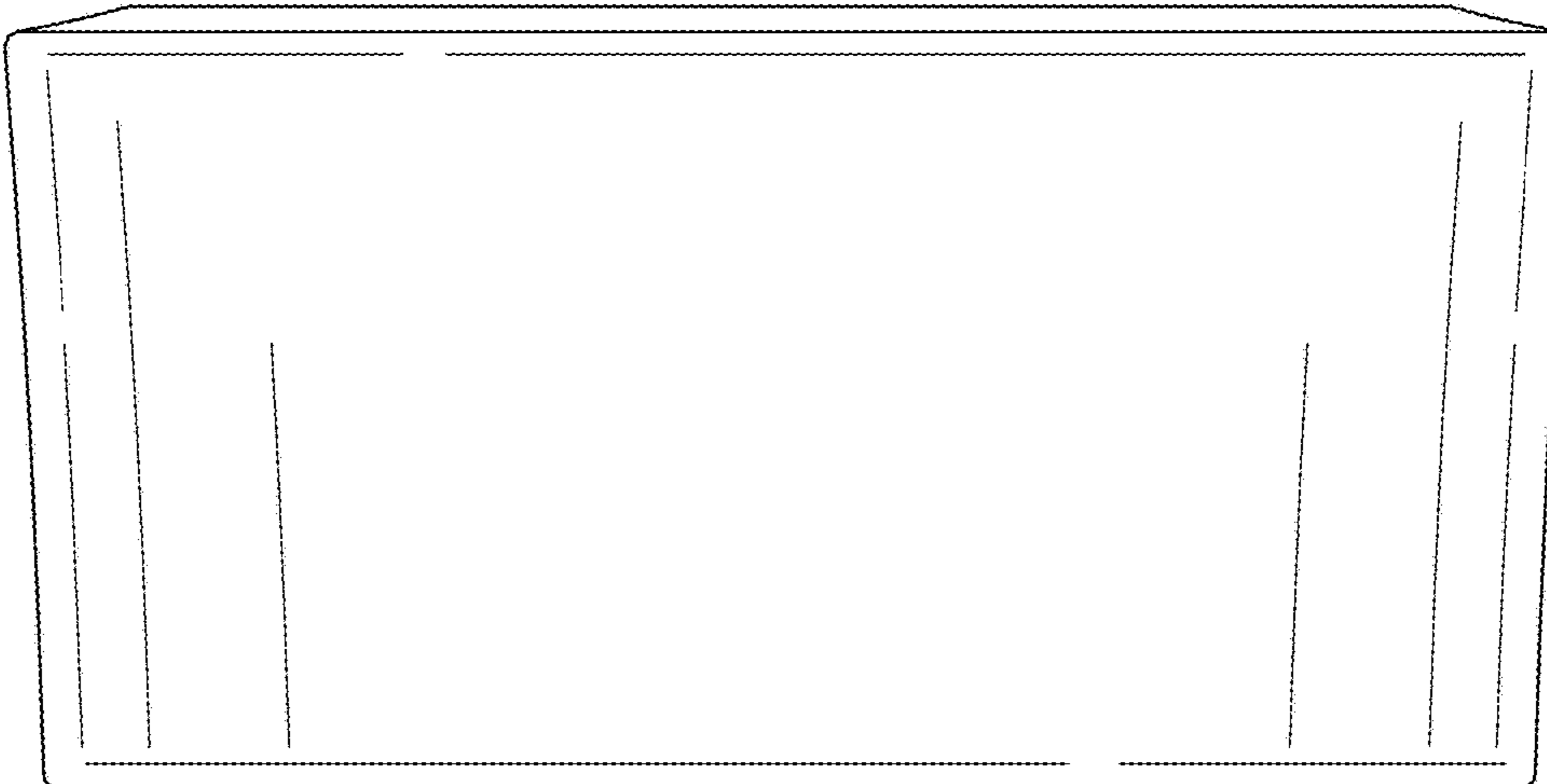


FIG. 4

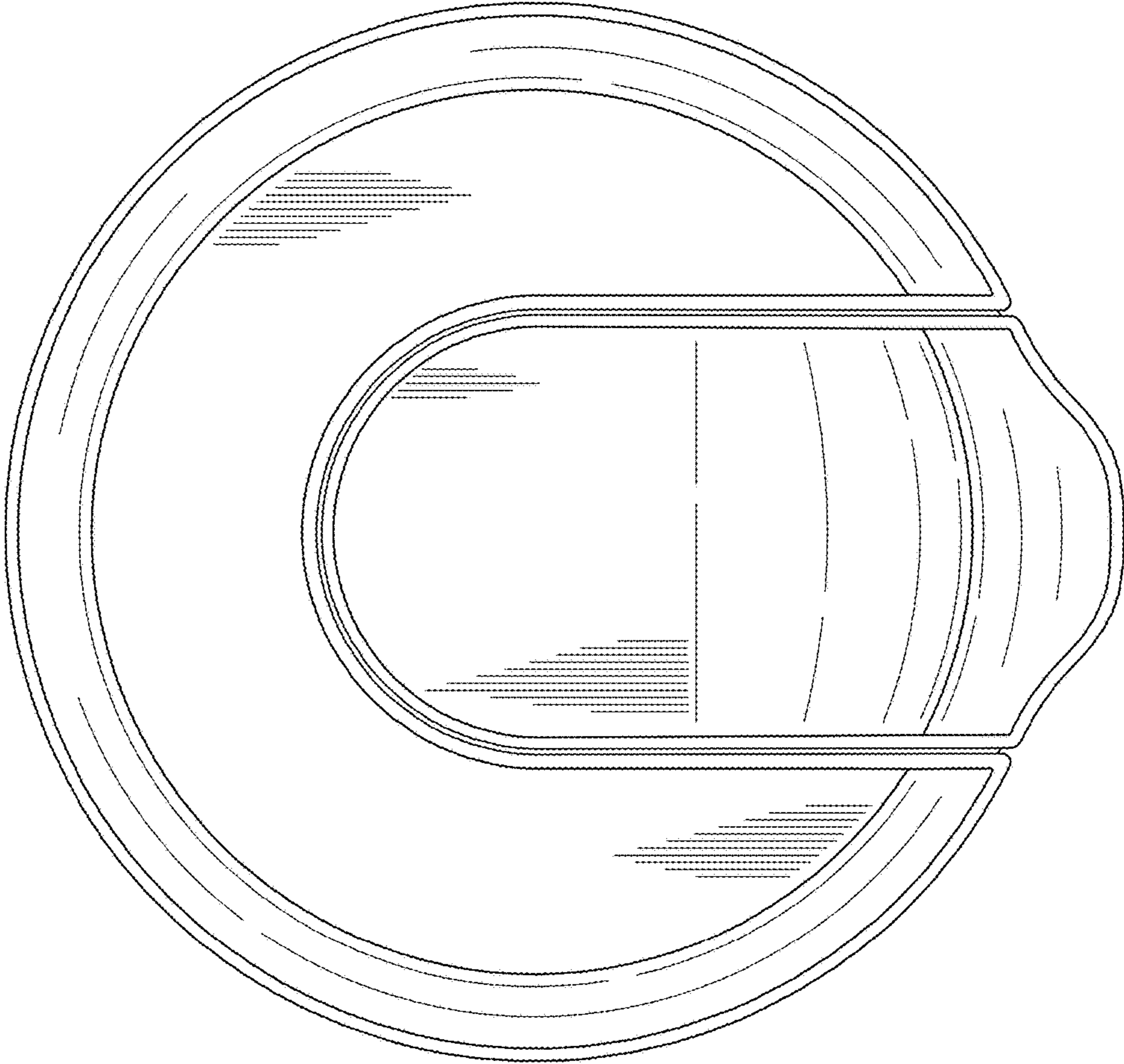


FIG. 5

