



US00D850257S

(12) **United States Design Patent**
Hazelton et al.

(10) **Patent No.:** **US D850,257 S**
(45) **Date of Patent:** **** Jun. 4, 2019**

- (54) **BOTTLE CAP**
- (71) Applicants: **Lance Eric Hazelton**, West New York, NJ (US); **Paul Lacotta**, Tenafly, NM (US)
- (72) Inventors: **Lance Eric Hazelton**, West New York, NJ (US); **Paul Lacotta**, Tenafly, NM (US)
- (73) Assignee: **HELEN OF TROY LIMITED**, St. Michael (BB)
- (**) Term: **15 Years**
- (21) Appl. No.: **29/677,954**
- (22) Filed: **Jan. 24, 2019**

- D356,597 S * 3/1995 Gray 347/87
- D384,149 S * 9/1997 Usher D24/110
- D406,533 S * 3/1999 Maus D9/449
- D425,195 S * 5/2000 Hellstrom D24/115
- D436,539 S * 1/2001 Spreitzer D9/503
- D487,227 S * 3/2004 Haley D9/434
- D524,649 S * 7/2006 Samartgis D9/446
- D547,181 S * 7/2007 Miller D9/435
- D628,483 S * 12/2010 McKinney D9/449
- D675,540 S * 2/2013 Montminy D24/114
- D682,612 S * 5/2013 Rzepecki D7/392.1
- D691,849 S * 10/2013 Cetera D7/392.1
- D692,319 S * 10/2013 Moreau D9/724
- D726,553 S * 4/2015 Koptis D9/724
- D731,324 S * 6/2015 Li D9/552
- D779,872 S * 2/2017 Bergstrom D7/392.1
- D801,830 S * 11/2017 Zhang D9/724
- D820,038 S * 6/2018 Sorensen D7/392.1
- D826,068 S * 8/2018 Aboabdo D9/724
- D830,119 S * 10/2018 Sorensen D7/392.1
- 10,179,678 B2 * 1/2019 Oliveira B65D 47/106

(Continued)

Related U.S. Application Data

- (62) Division of application No. 29/603,933, filed on May 13, 2017.
- (51) **LOC (11) Cl.** **09-06**
- (52) **U.S. Cl.**
USPC **D9/446; D9/453**
- (58) **Field of Classification Search**
USPC D7/300–302, 313, 318, 398, 490, 491, D7/598, 600, 619.1, 621, 665; D9/435, D9/438, 446, 449, 453, 682; D3/202; D24/121, 217, 224
CPC ... B67D 1/0412; B67D 1/0418; B67D 1/0406
See application file for complete search history.

(56) **References Cited**

U.S. PATENT DOCUMENTS

- D136,452 S * 10/1943 Trump D8/DIG. 2
- D221,132 S * 7/1971 Schiavone D24/115
- D226,555 S * 3/1973 Weber D9/446

Primary Examiner — Ian Simmons
Assistant Examiner — Keith Frank

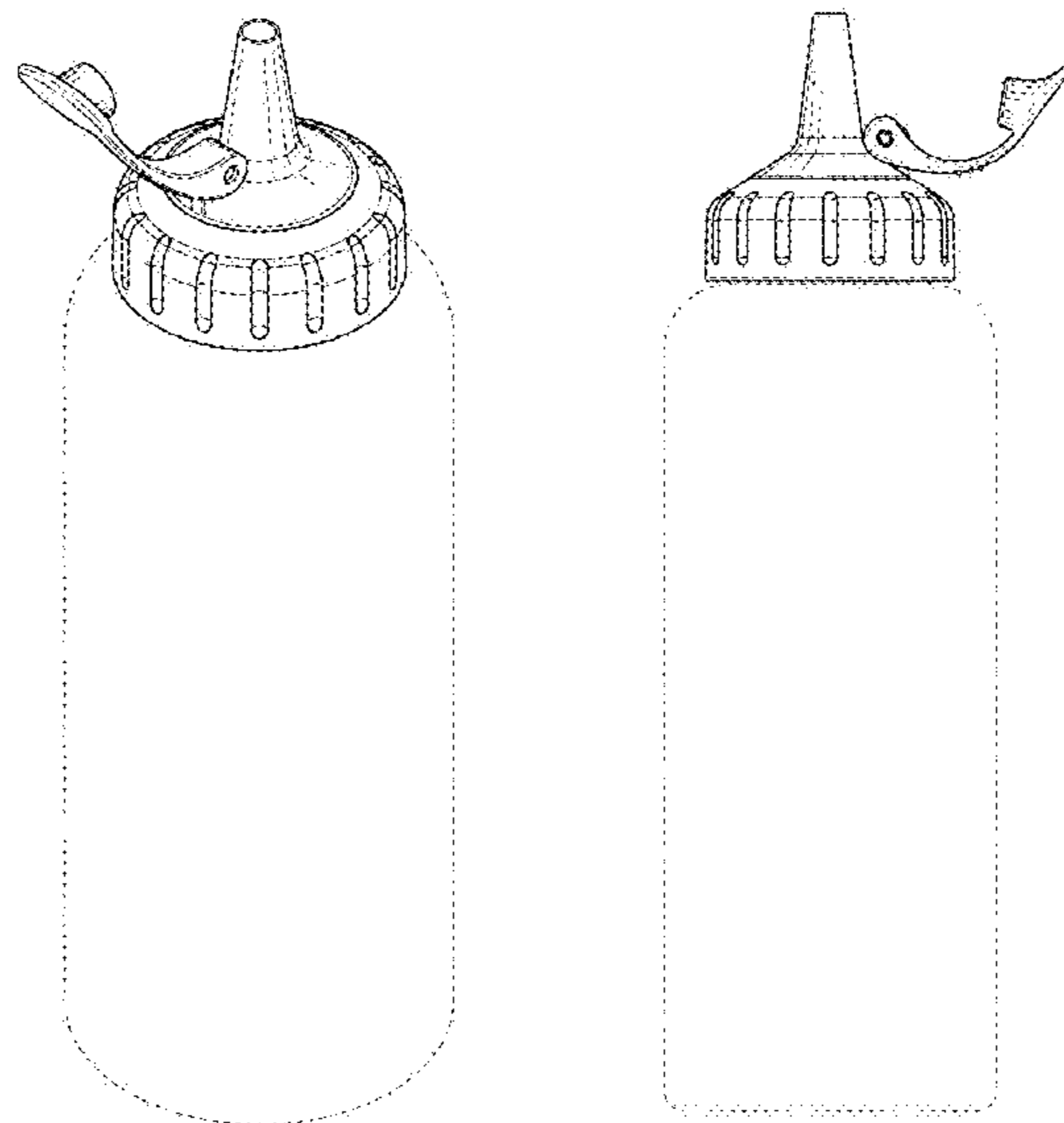
(57) **CLAIM**

The ornamental design for a bottle cap, as shown, and described.

DESCRIPTION

FIG. 1 is a perspective view of a bottle cap in an open position;
FIG. 2 is a left side view thereof, with the right side view being a mirror image thereof;
FIG. 3 is a rear elevation view thereof;
FIG. 4 is a front elevation view;
FIG. 5 is a top plan view thereof; and,
FIG. 6 is a bottom plan view thereof.
The broken lines depict environment and form no part of the claimed design.

1 Claim, 6 Drawing Sheets



(56)

References Cited

U.S. PATENT DOCUMENTS

D839,674 S * 2/2019 Lyu D7/511
2010/0032432 A1 * 2/2010 Stull, Sr. B65D 47/10
220/257.1

* cited by examiner

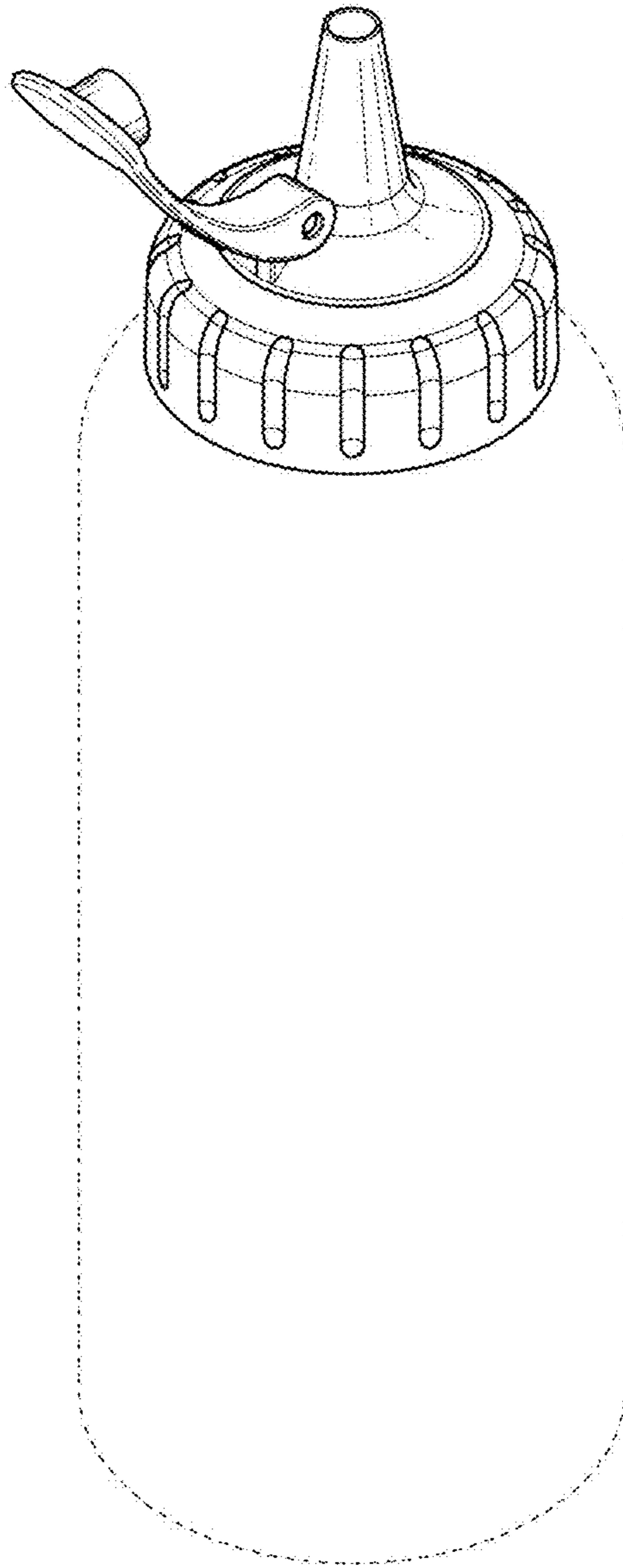


FIG. 1

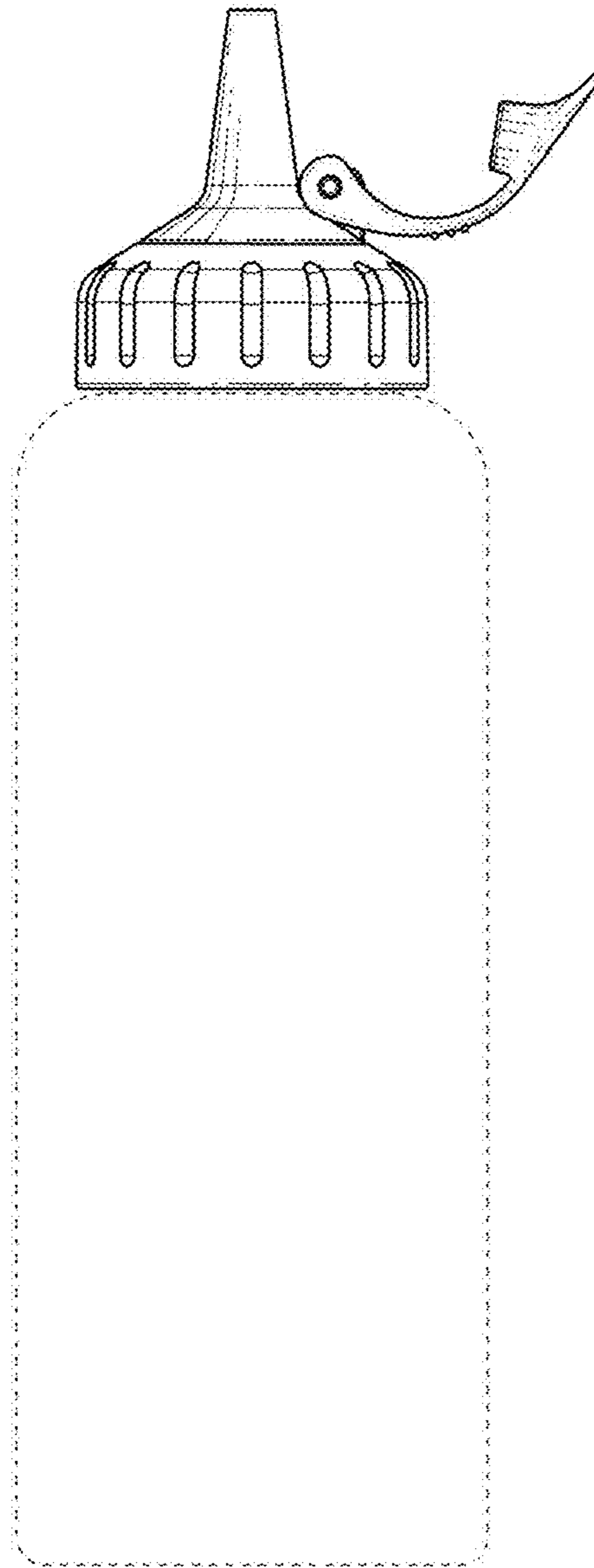


FIG. 2

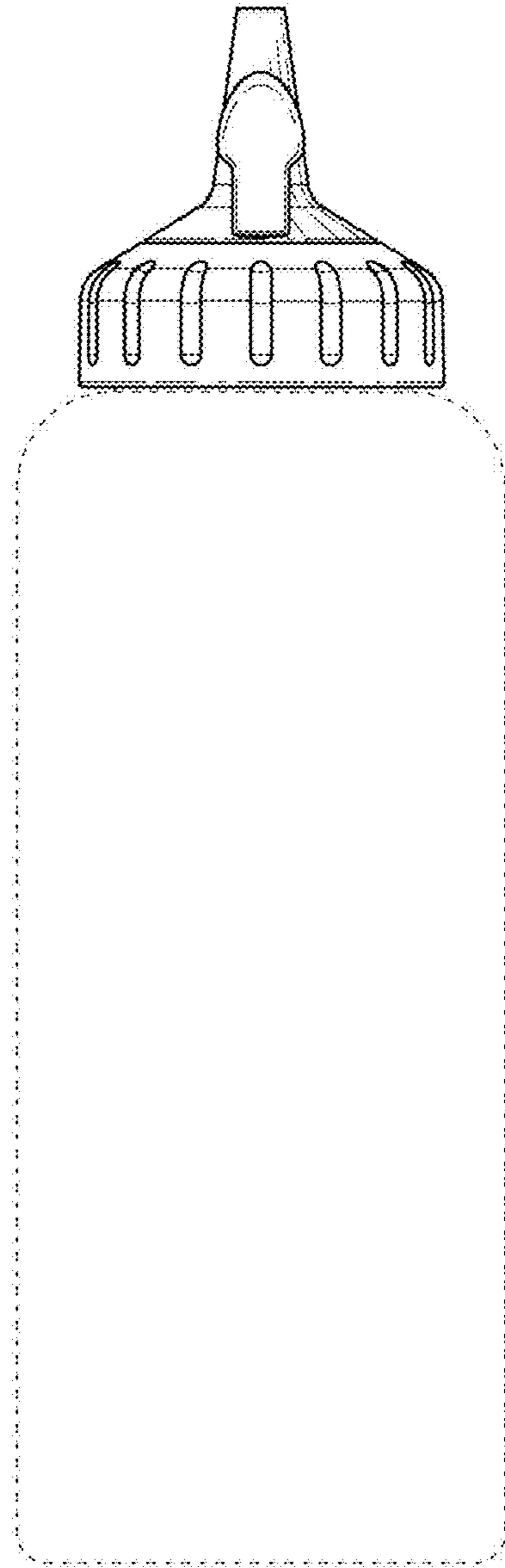


FIG. 3

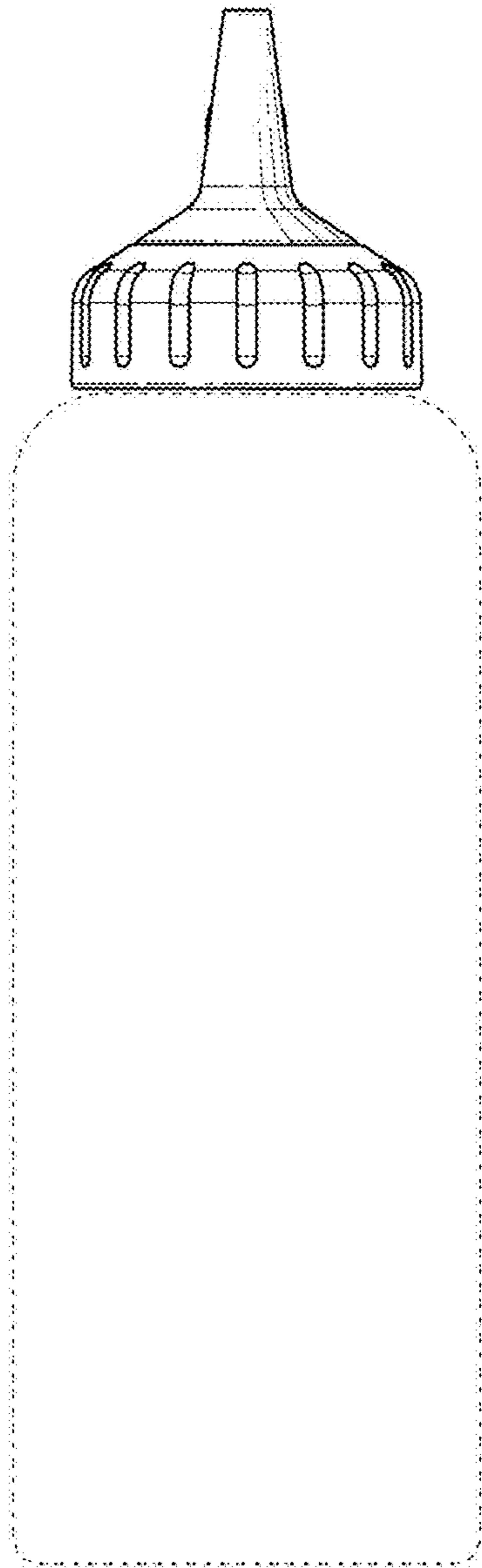


FIG. 4

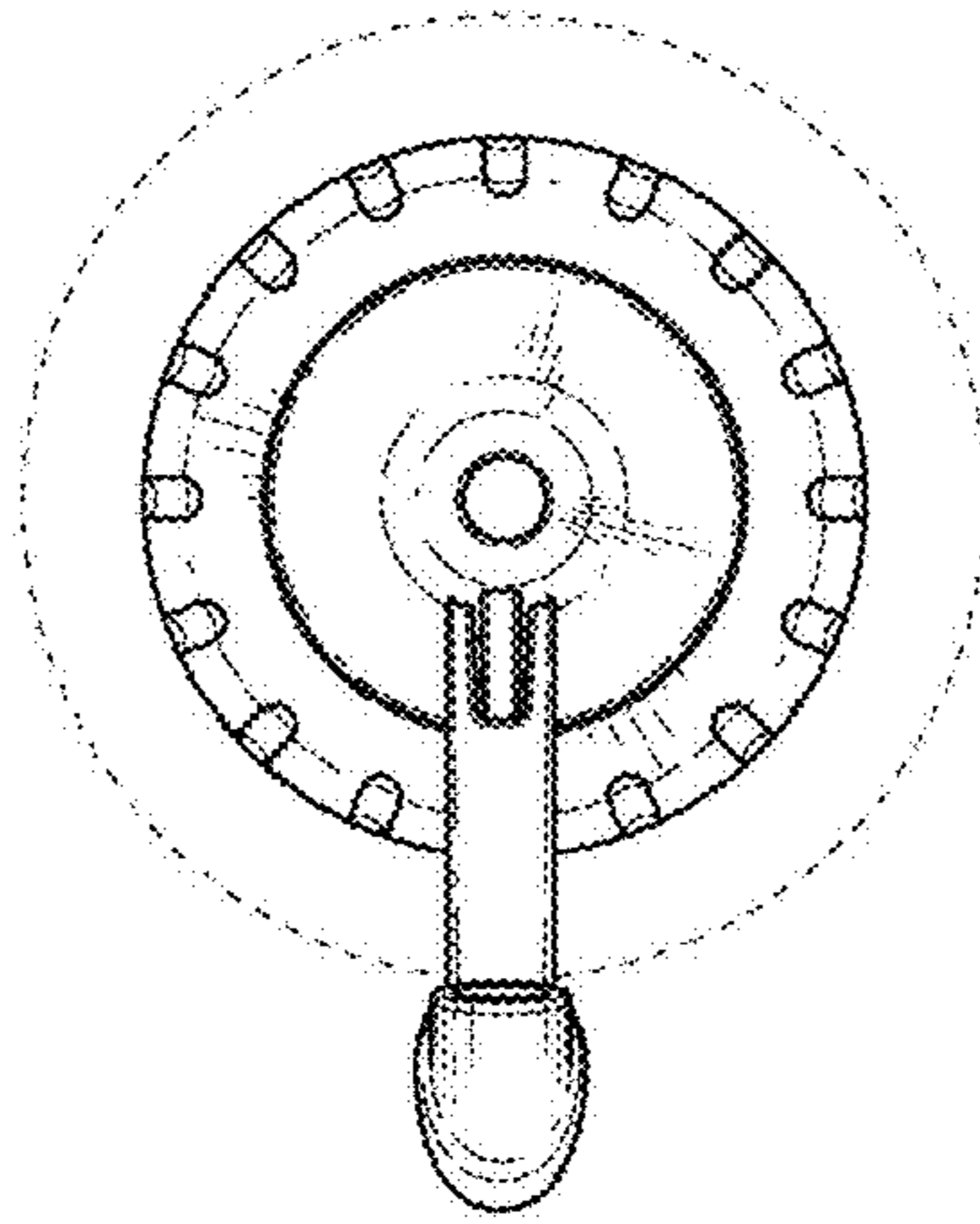


FIG. 5

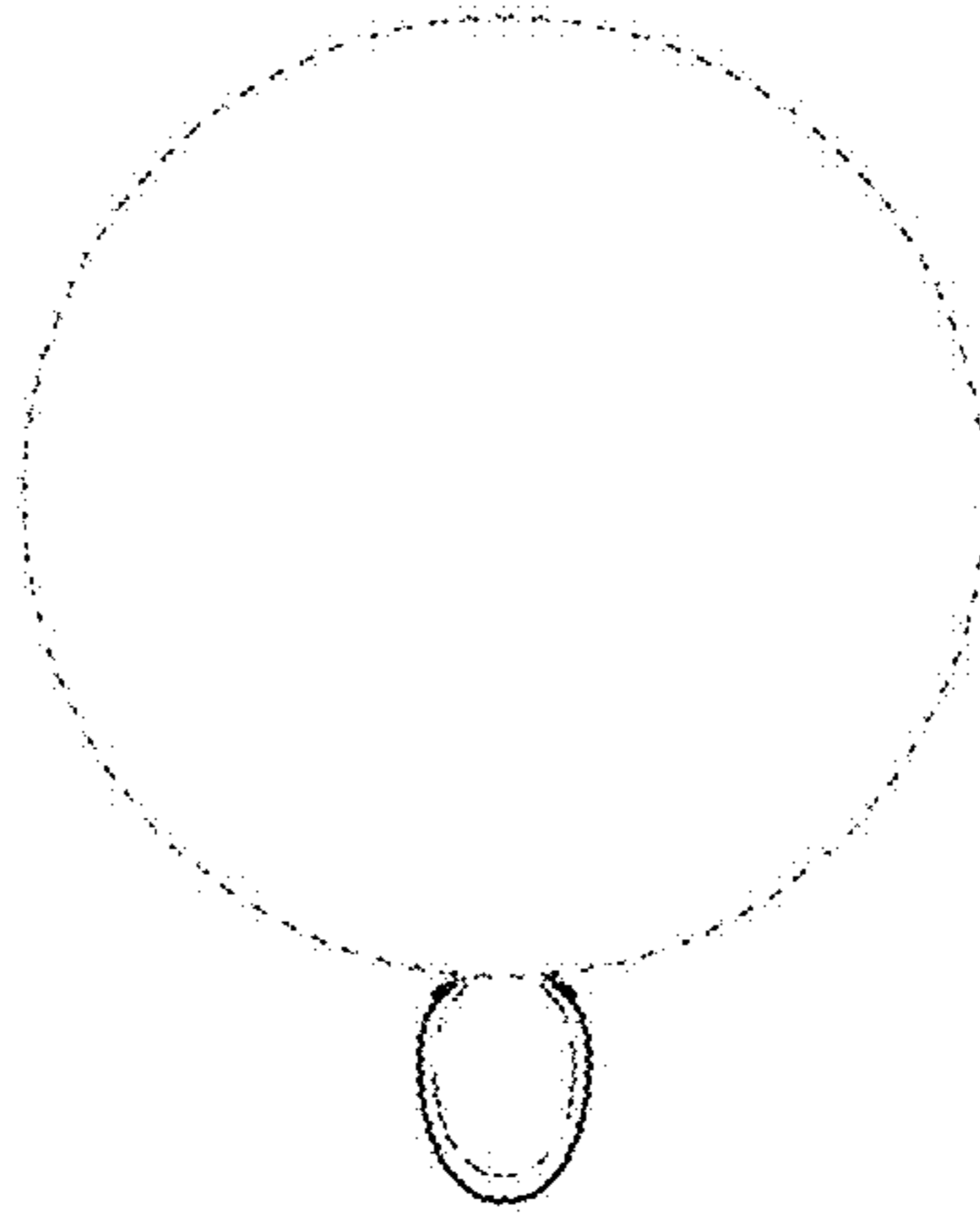


FIG. 6