



US00D850256S

(12) **United States Design Patent**
Ryszawy

(10) **Patent No.:** **US D850,256 S**
(45) **Date of Patent:** **** Jun. 4, 2019**

(54) **TWO-PART CLOSURE FOR THICK, INFLEXIBLE BAGS**

(71) Applicant: **Edyta Ryszawy**, Buffalo Grove, IL (US)

(72) Inventor: **Edyta Ryszawy**, Buffalo Grove, IL (US)

(**) Term: **15 Years**

(21) Appl. No.: **29/606,479**

(22) Filed: **Jun. 5, 2017**

(51) **LOC (11) Cl.** **09-07**

(52) **U.S. Cl.**
USPC **D9/443; D9/449**

(58) **Field of Classification Search**
USPC D7/387, 392, 392.1, 396.1, 396.2, 316, D7/397, 510, 511; D9/434, 435, 499, D9/454, 436, 440, 443, 447, 449, D9/437-439, 450, 455, 456; D23/390; D8/394
CPC B65D 77/14; B65D 77/12; B65D 33/16; B65D 2543/00046
See application file for complete search history.

(56) **References Cited**

U.S. PATENT DOCUMENTS

2,524,030	A *	10/1950	Allen	B65D 77/12 383/210.1
3,707,271	A *	12/1972	Sanchez	B65B 7/02 248/101
3,722,786	A *	3/1973	Honn	B65B 61/14 383/29
D239,919	S *	5/1976	Wilson	D9/434
D264,689	S *	6/1982	Miller	D9/434
D287,099	S *	12/1986	Cory	D8/382
5,000,747	A *	3/1991	Cardo	A61F 5/4407 24/30.5 R
D317,571	S *	6/1991	Henriksson	D8/394

(Continued)

OTHER PUBLICATIONS

Click On Way. 18Pc Bag Seal Clip for Keeping Food Fresh for Home Kitchen by Celebration. May 12, 2018 [earliest online date], [site visited Sep. 13, 2018]. Available from Internet, <URL:https://bit.ly/2xfVyVx>. (Year: 2018).*

(Continued)

Primary Examiner — George D. Kirschbaum
Assistant Examiner — Darcey E Gottschalk

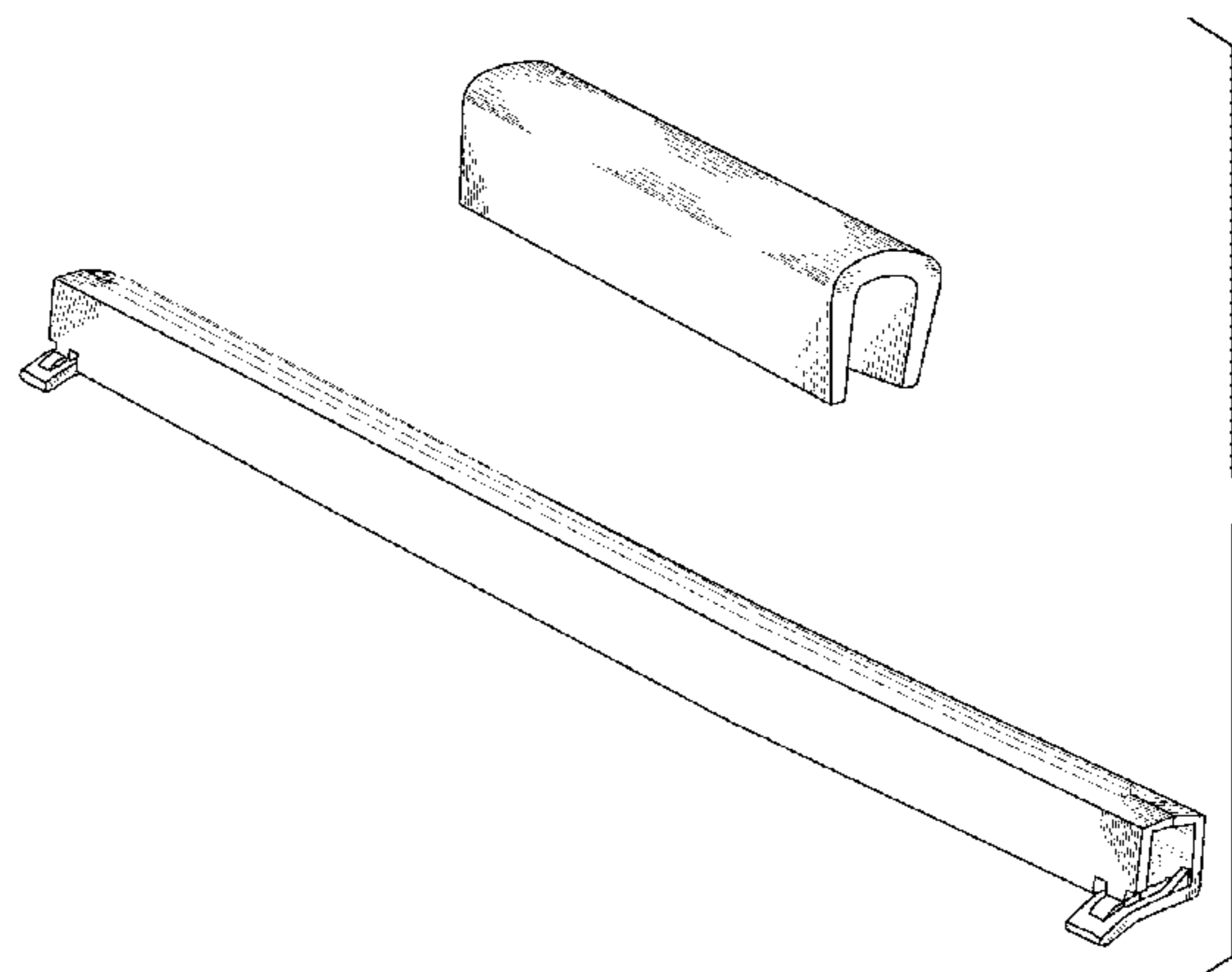
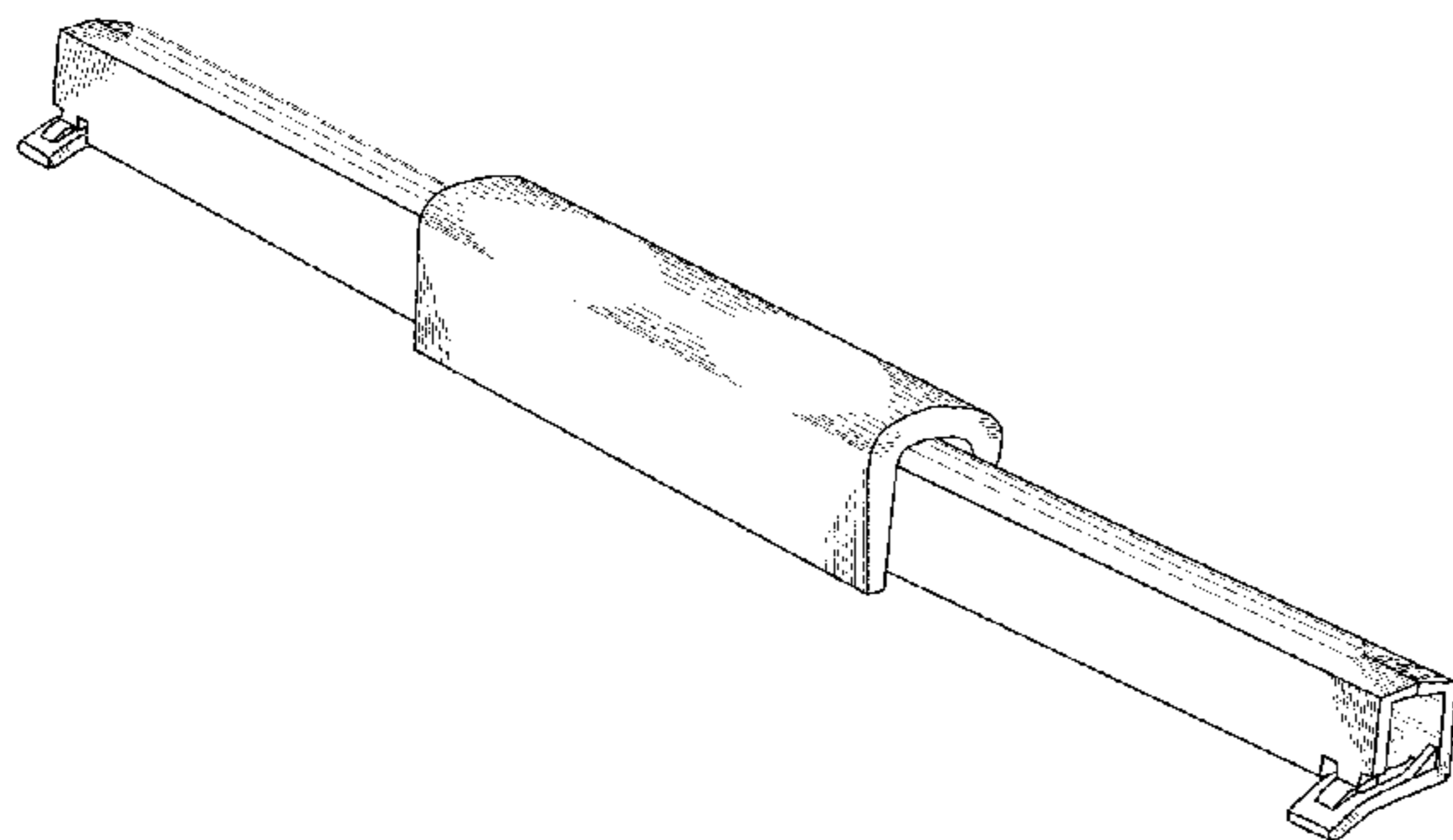
(57) **CLAIM**

The ornamental design for a two-part closure for thick, inflexible bags, as shown and described.

DESCRIPTION

FIG. 1 is a front perspective view of a two-part closure for thick, inflexible bags showing my new design; FIG. 2 is an exploded front perspective view thereof; FIG. 3 is a front elevational view thereof; FIG. 4 is an exploded front elevational view thereof; FIG. 5 is a rear elevational view thereof; FIG. 6 is an exploded rear elevational view thereof; FIG. 7 is a top plan view thereof; FIG. 8 is bottom plan view thereof; FIG. 9 is an enlarged right-side elevational view thereof; FIG. 10 is an enlarged left-side elevational view thereof; FIG. 11 is a rear perspective view thereof; FIG. 12 is an exploded rear perspective view thereof; FIG. 13 is a bottom perspective view thereof; and, FIG. 14 is an exploded bottom perspective view thereof. In the drawings, the broken lines depict portions of the two-part closure for thick, inflexible bags that form no part of the claim; and in FIGS. 3-6, the broken lines show portions of a silicone bag that forms no part thereof. My new design for a two-part closure for thick inflexible bags, in particular for silicone bags, is characterized by a clip with snaps and a slider.

1 Claim, 14 Drawing Sheets



(56)

References Cited

U.S. PATENT DOCUMENTS

D350,696	S	*	9/1994	Naslund	D9/434
D400,439	S	*	11/1998	Dawson	D9/434
D423,353	S	*	4/2000	Blanchard	D9/435
D474,968	S	*	5/2003	Hicks	D9/435
D482,968	S	*	12/2003	Henriksson	D9/435
D502,872	S	*	3/2005	Fleming	D9/434
D564,352	S	*	3/2008	Rice	D9/434
D583,664	S	*	12/2008	Franzone, Jr.	D9/434
D625,174	S	*	10/2010	Karekar	D8/394
D642,913	S	*	8/2011	Osborn	D9/434
D694,098	S	*	11/2013	Byron	D8/394
D715,642	S	*	10/2014	Comstock	D9/434
D724,429	S	*	3/2015	Weber, Sr.	D9/434
D781,693	S	*	3/2017	Roan	D8/394
2018/0208384	A1	*	7/2018	Ryszawy	B65D 33/1658

OTHER PUBLICATIONS

Amazon. OXO Good Grips Bag Clips. Aug. 15, 2004 [earliest online date], [site visited Sep. 13, 2018]. Available from Internet, <URL:<https://www.amazon.com/OXO-Good-Grips-Clip-Pack/dp/B0002YTG5Y>>. (Year: 2004).*

* cited by examiner

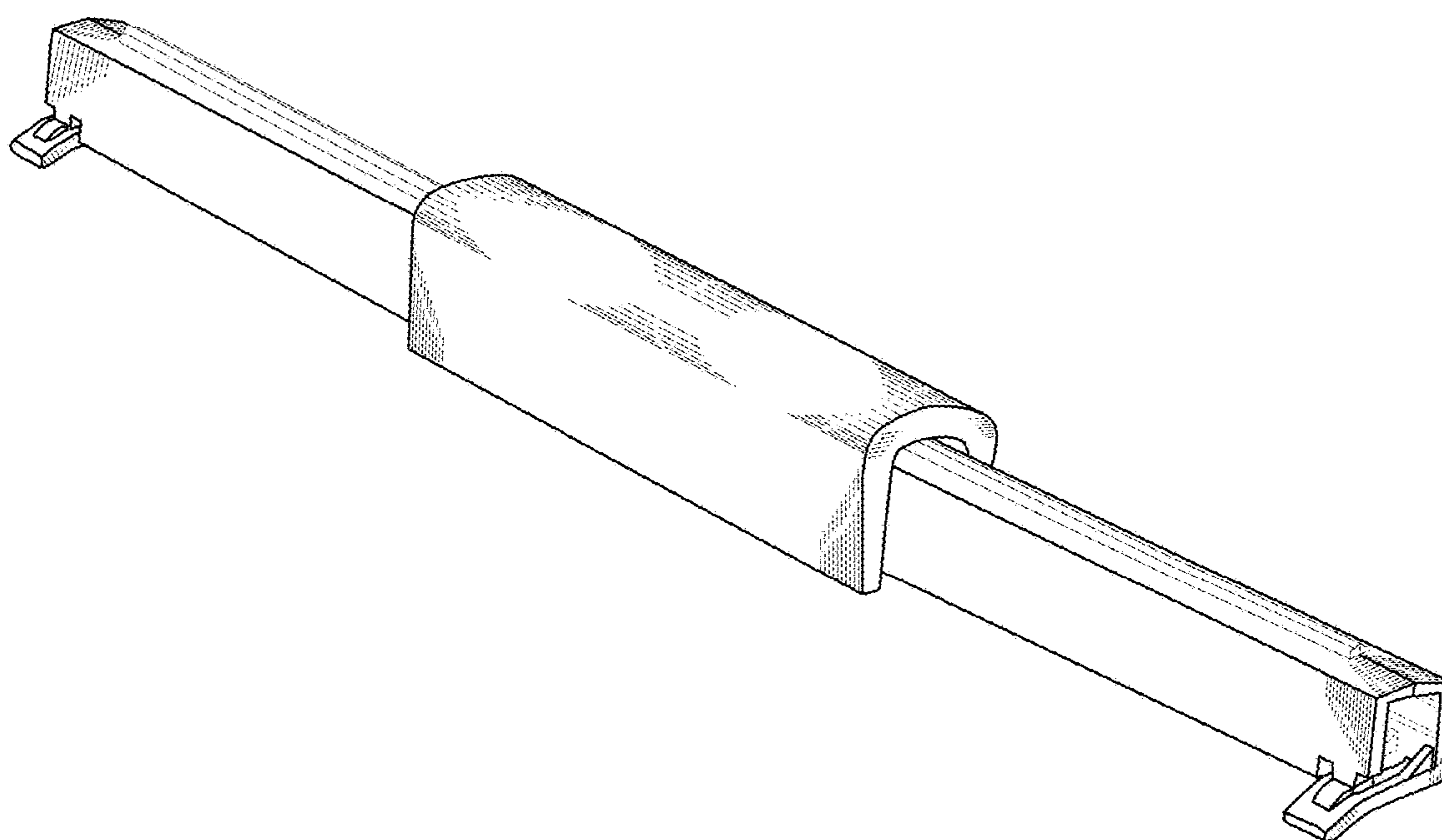


FIG. 1

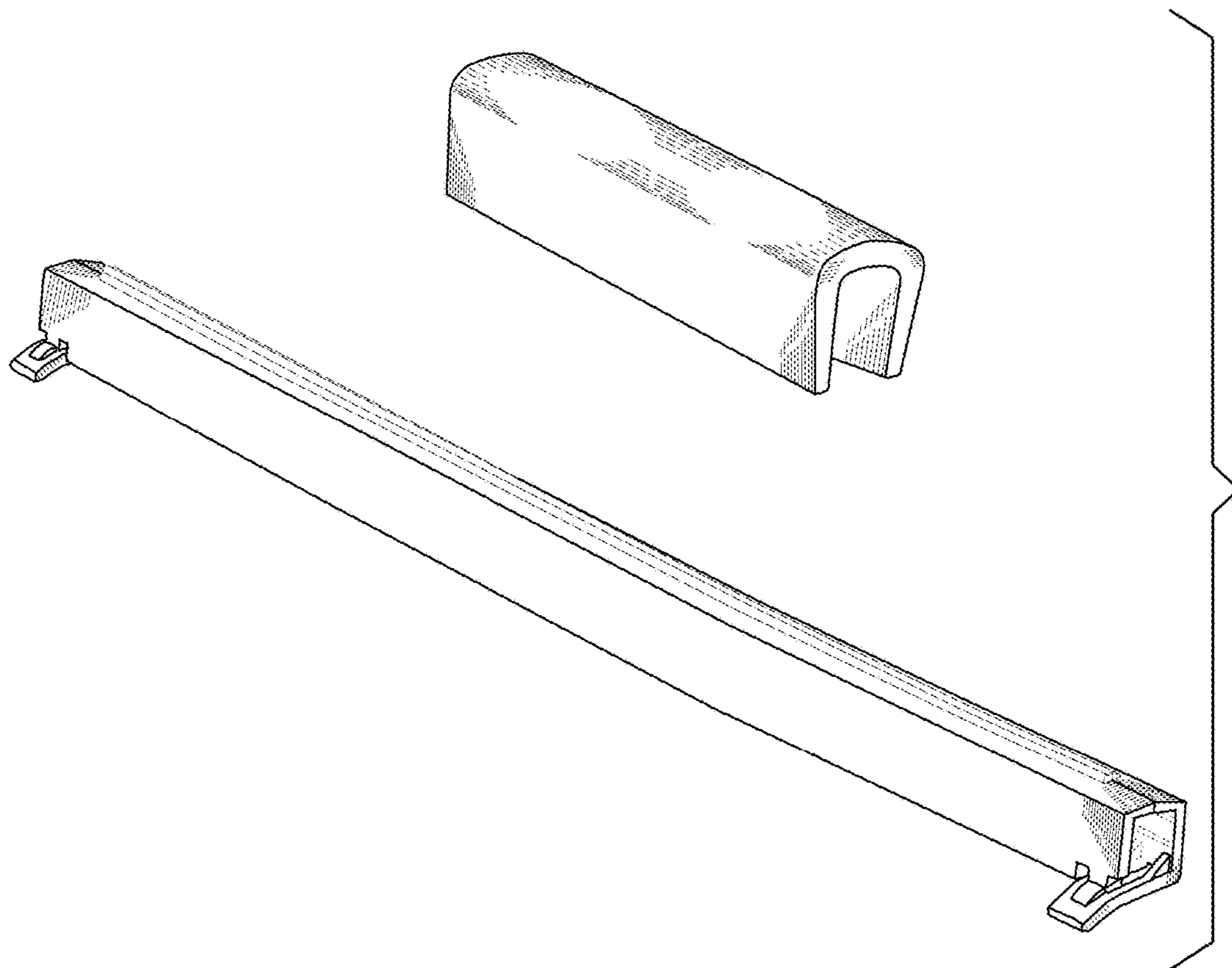


FIG. 2

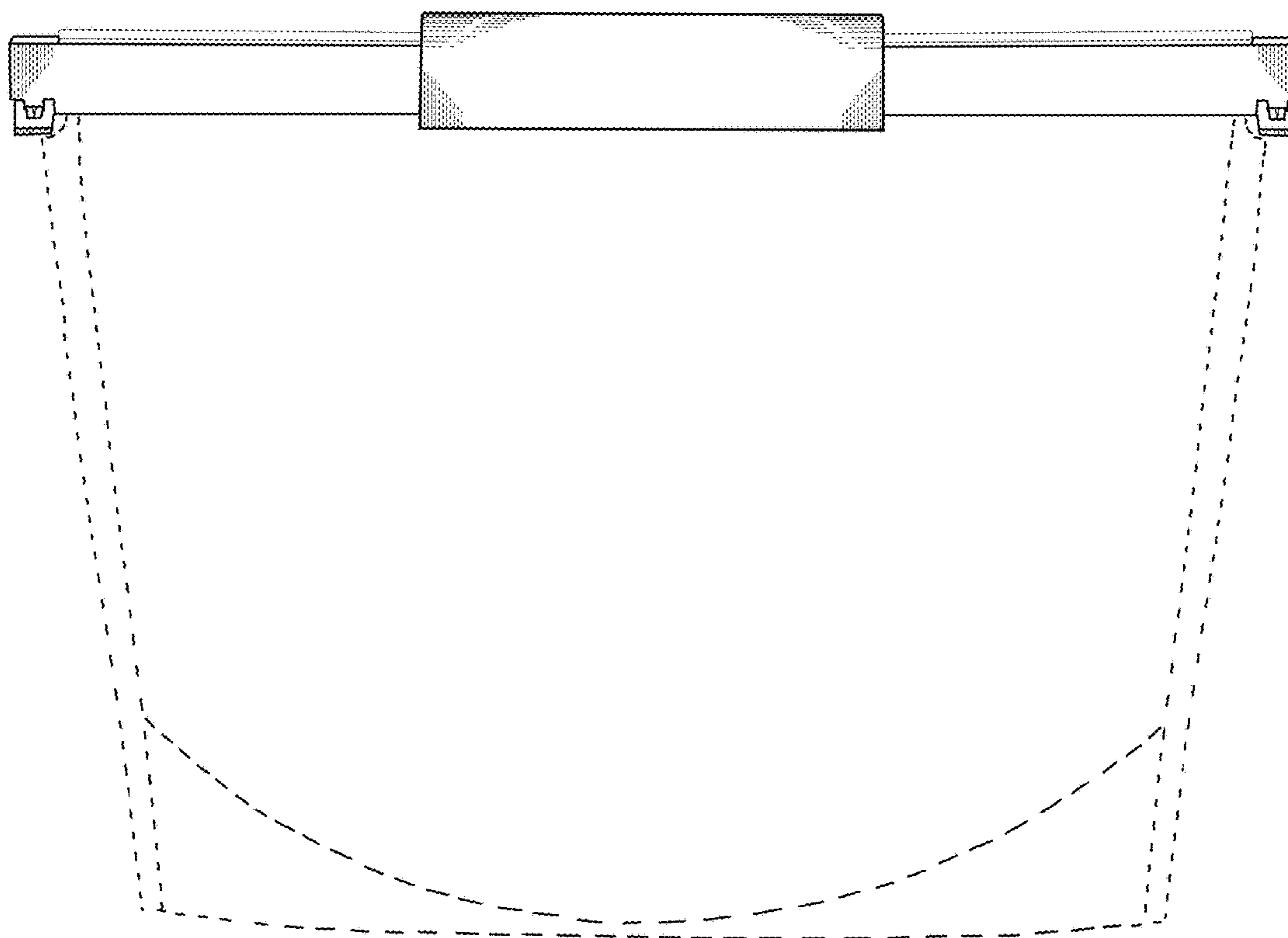


FIG. 3

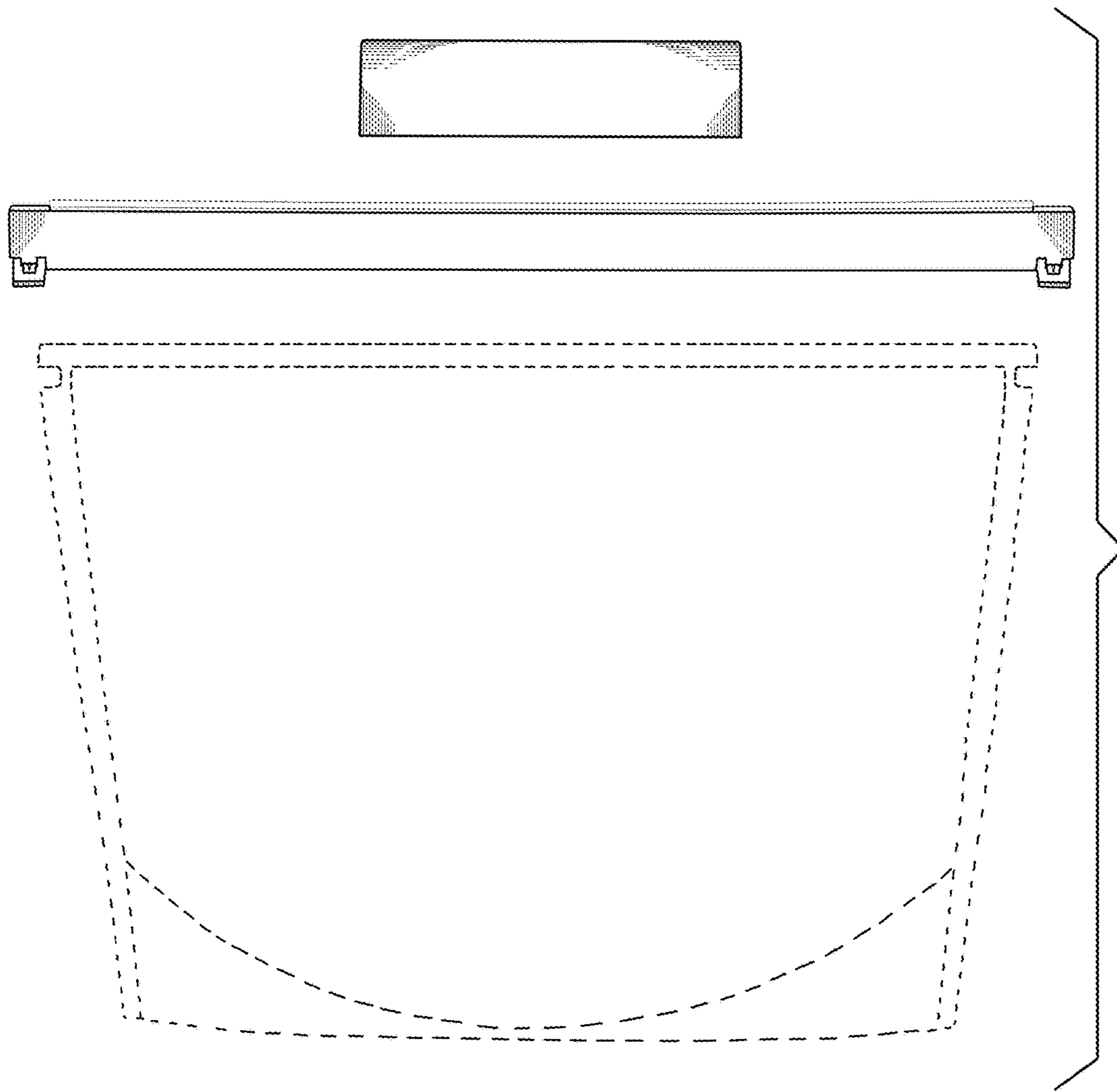


FIG. 4

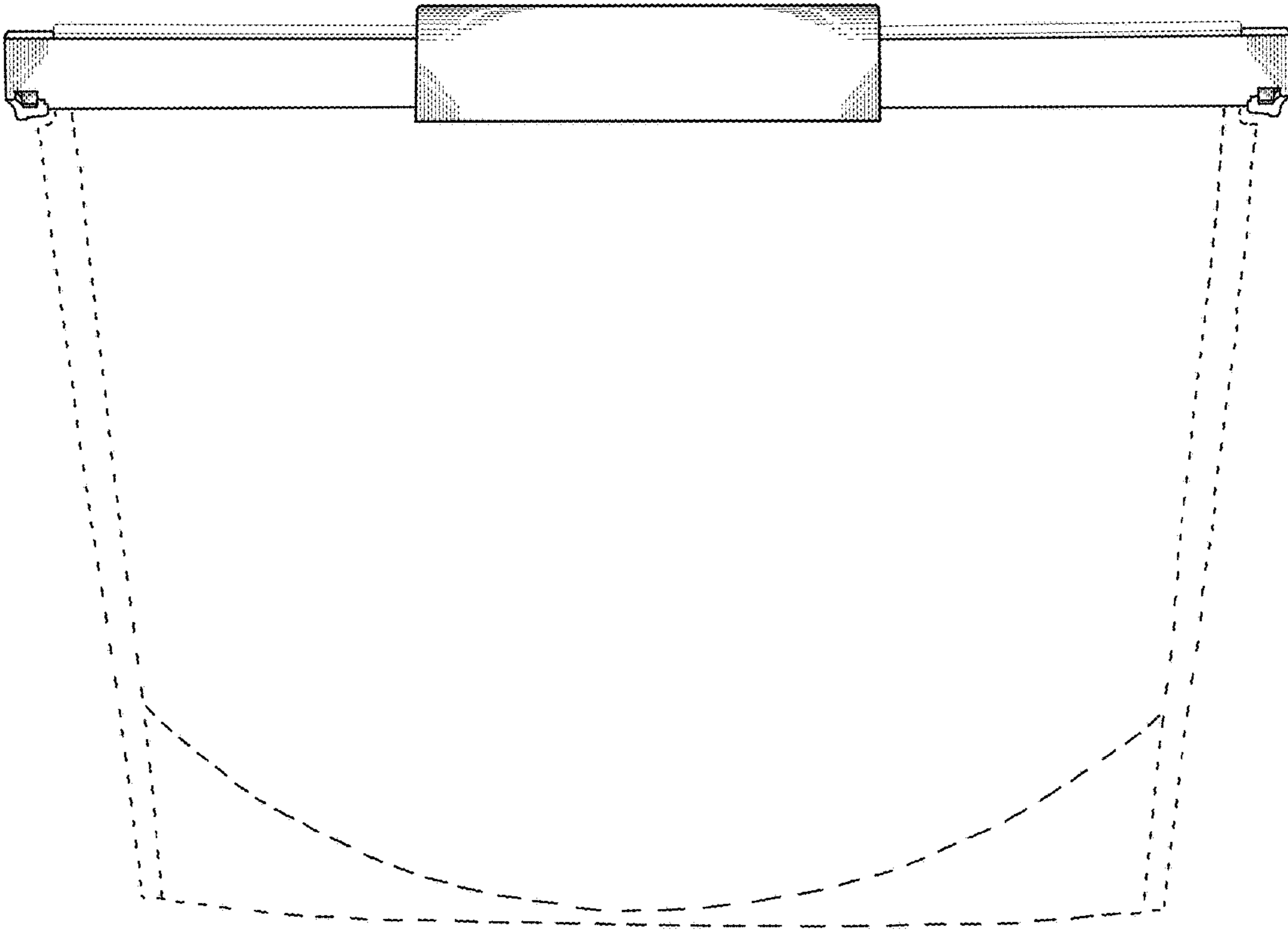


FIG. 5

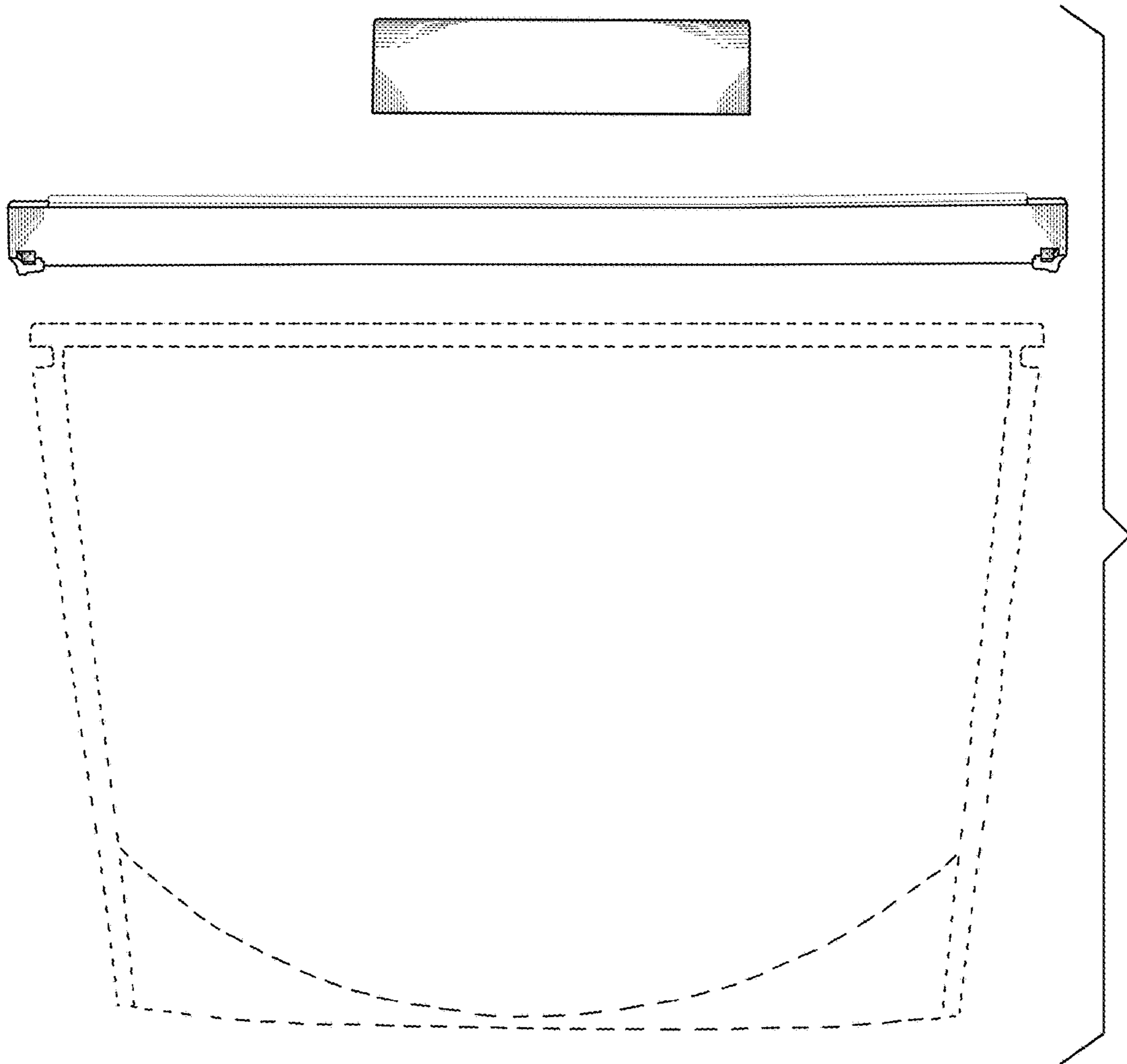


FIG. 6



FIG. 7



FIG. 8

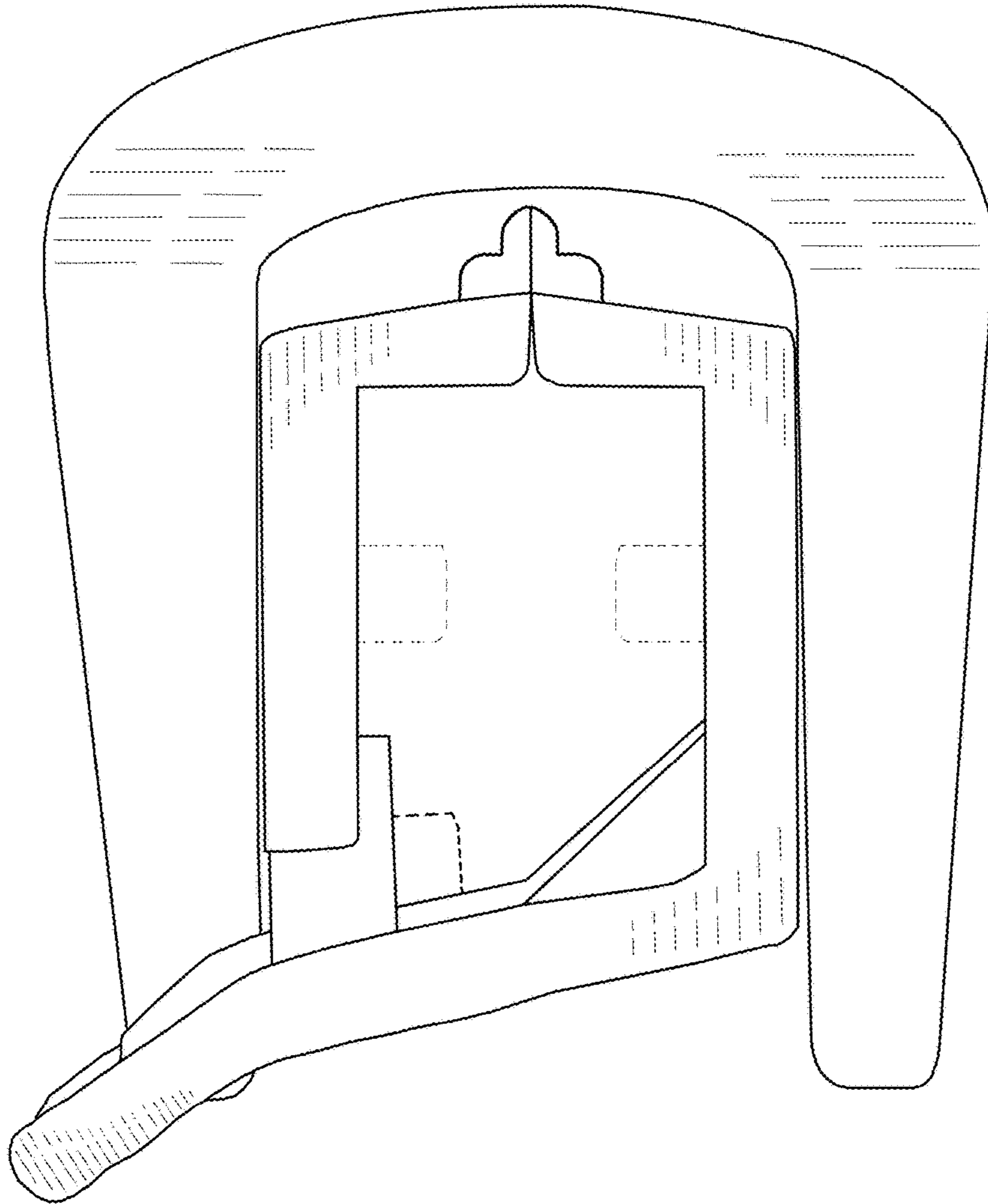


FIG. 9

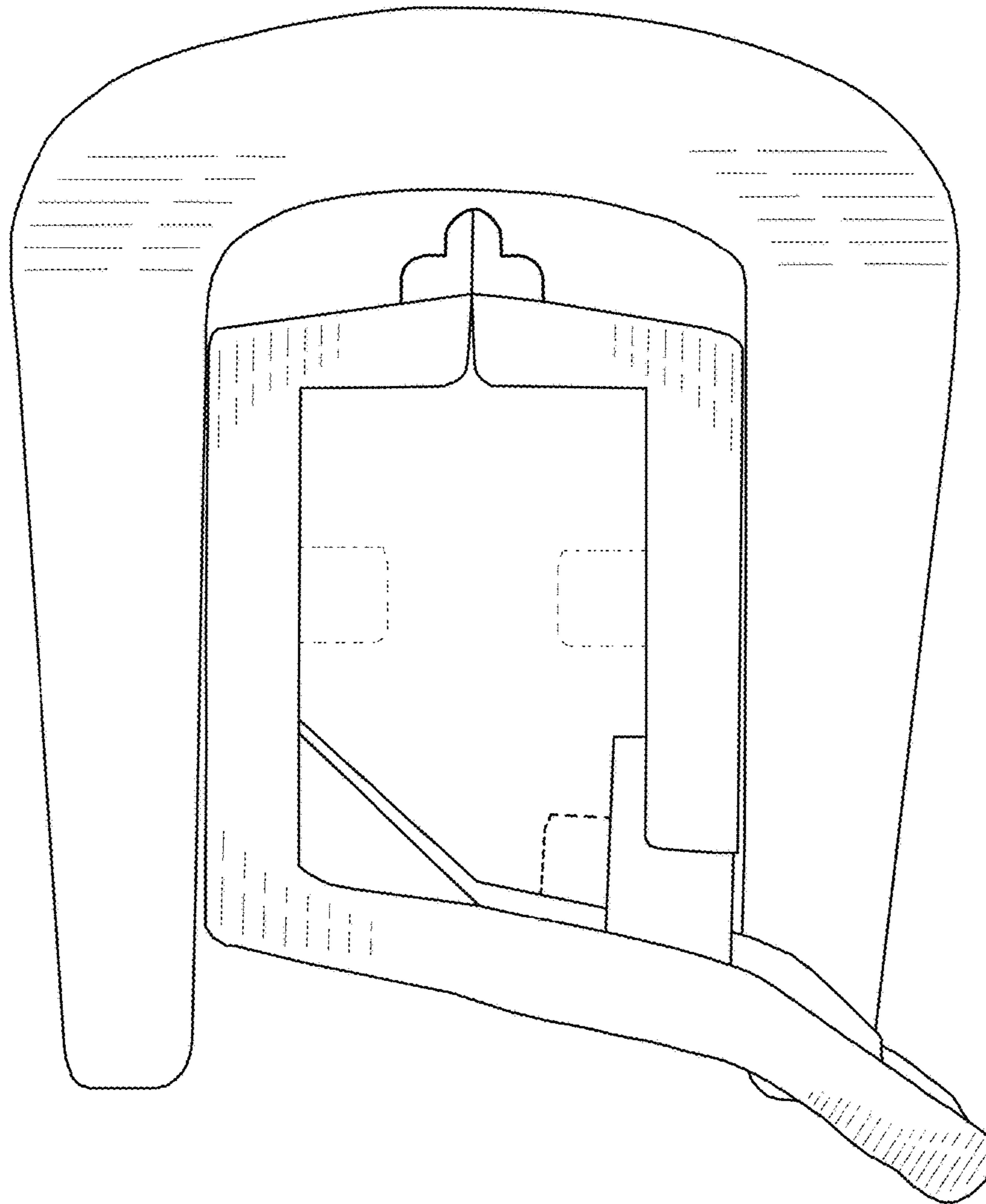


FIG. 10

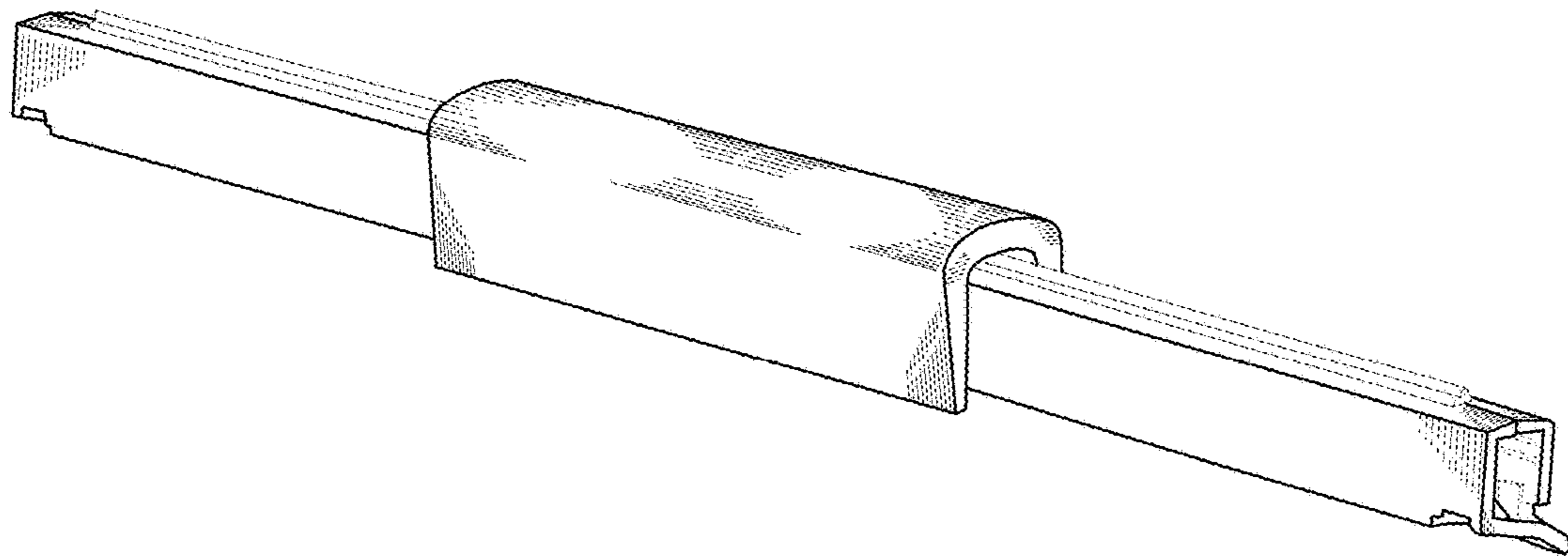


FIG. 11

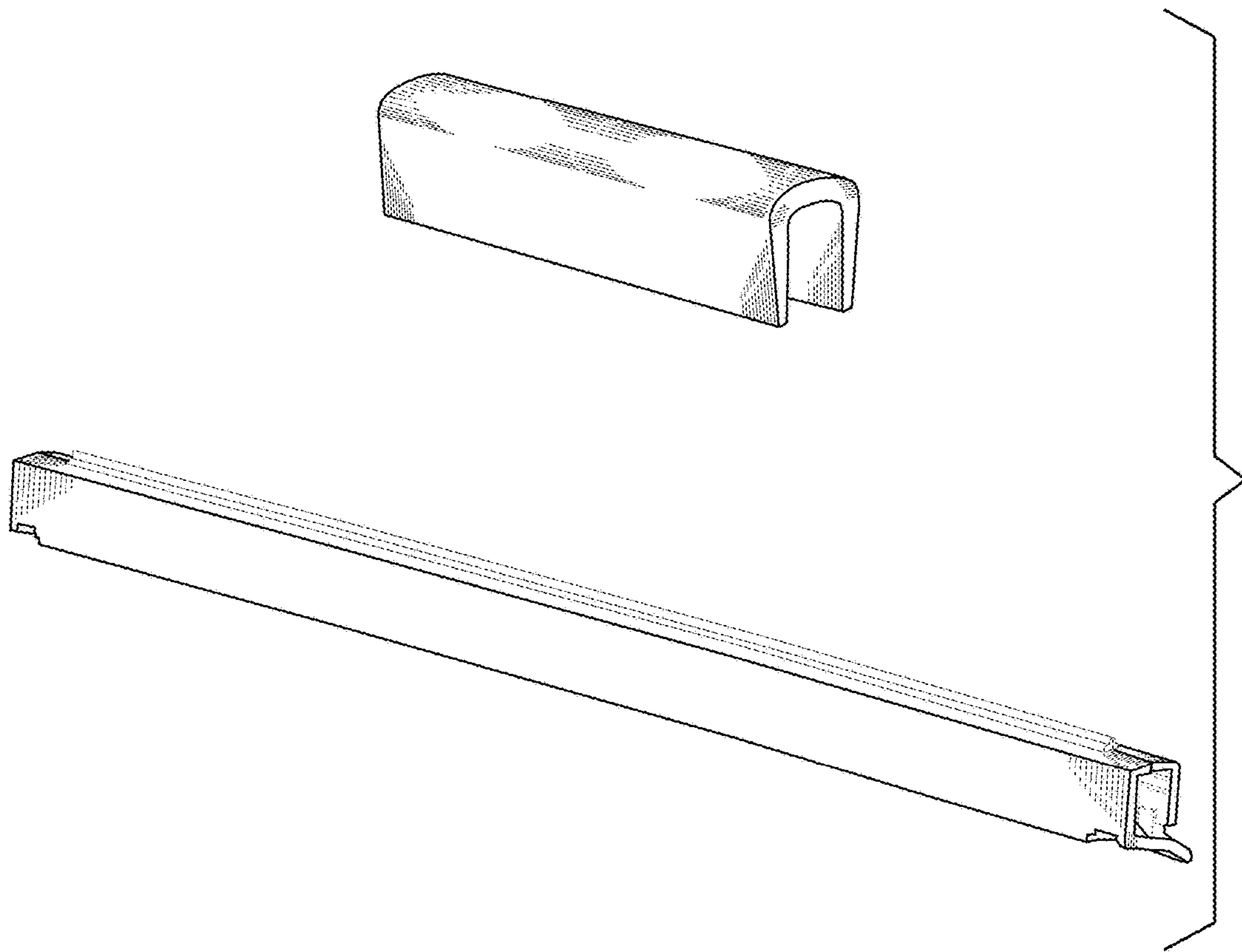


FIG. 12

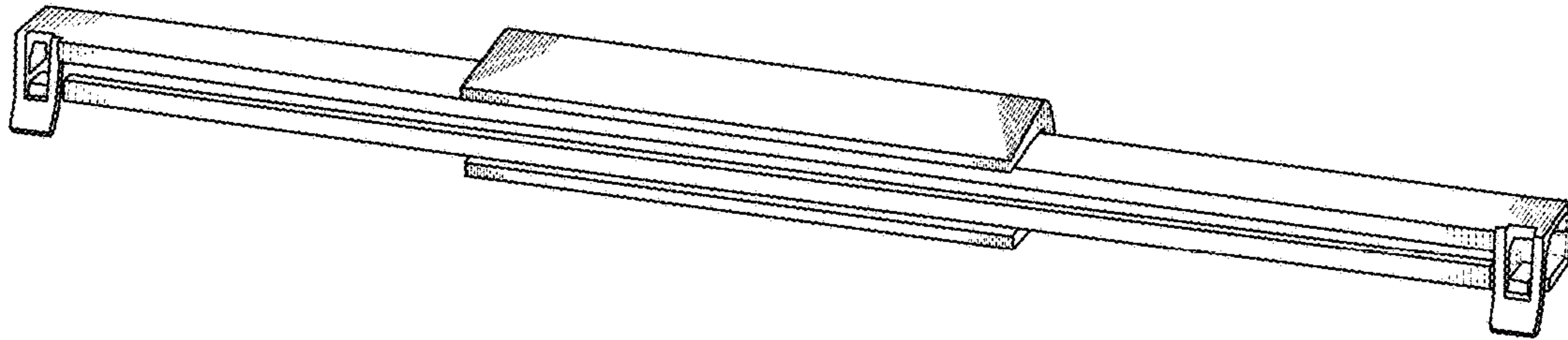


FIG. 13

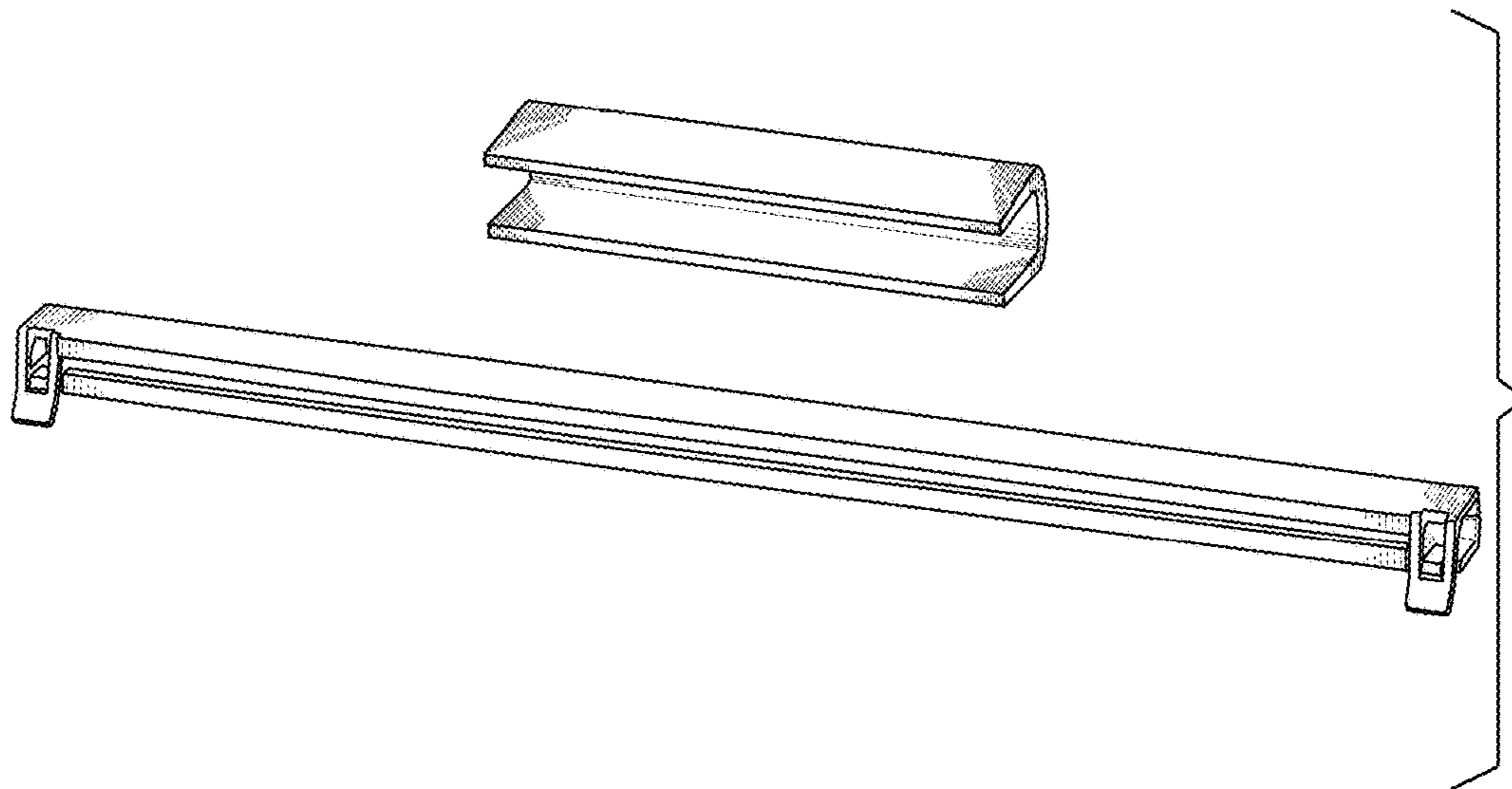


FIG. 14