



US00D850253S

(12) **United States Design Patent**
Mason

(10) **Patent No.:** **US D850,253 S**
(45) **Date of Patent:** **** Jun. 4, 2019**

(54) **PACKAGING CONTAINER**

(71) Applicant: **JLS Automation**, York, PA (US)

(72) Inventor: **James L. Mason**, York, PA (US)

(73) Assignee: **JLS Automation**, York, PA (US)

(**) Term: **15 Years**

(21) Appl. No.: **29/612,010**

(22) Filed: **Jul. 27, 2017**

(51) **LOC (11) Cl.** **09-03**

(52) **U.S. Cl.**
USPC **D9/432**; D9/433

(58) **Field of Classification Search**
USPC D9/414-420, 421-432, 614-624, 433,
D9/434, 661-664, 721, 722; D7/601,
D7/602, 612, 709; D3/273, 276, 309,
D3/290, 304, 305, 315; D20/10, 22, 27,
D20/40, 42
CPC B65D 5/00; B65D 5/001; B65D 5/0015;
B65D 5/0227-5/0254; B65D 5/18; B65D
5/38; B65D 5/40; B65D 5/2033; B65D
1/22; B65D 71/16; B65D 1/24; B65D
1/34; B65D 5/20; B65D 5/30; B65D
5/321; B65D 5/322; B65B 5/06
See application file for complete search history.

(56) **References Cited**

U.S. PATENT DOCUMENTS

1,344,147	A *	6/1920	Potter	B65D 5/5014
					206/422
D257,718	S *	12/1980	Dutcher	D9/433
D286,987	S *	12/1986	Golan	D9/433
D303,090	S *	8/1989	Armor	D9/433
6,247,593	B1 *	6/2001	Ruble	B65D 5/001
					206/509
D505,069	S *	5/2005	Keberlein	D9/416

(Continued)

Primary Examiner — Susan Bennett Hattan
Assistant Examiner — Omeed Agilee
(74) *Attorney, Agent, or Firm* — Barley Snyder

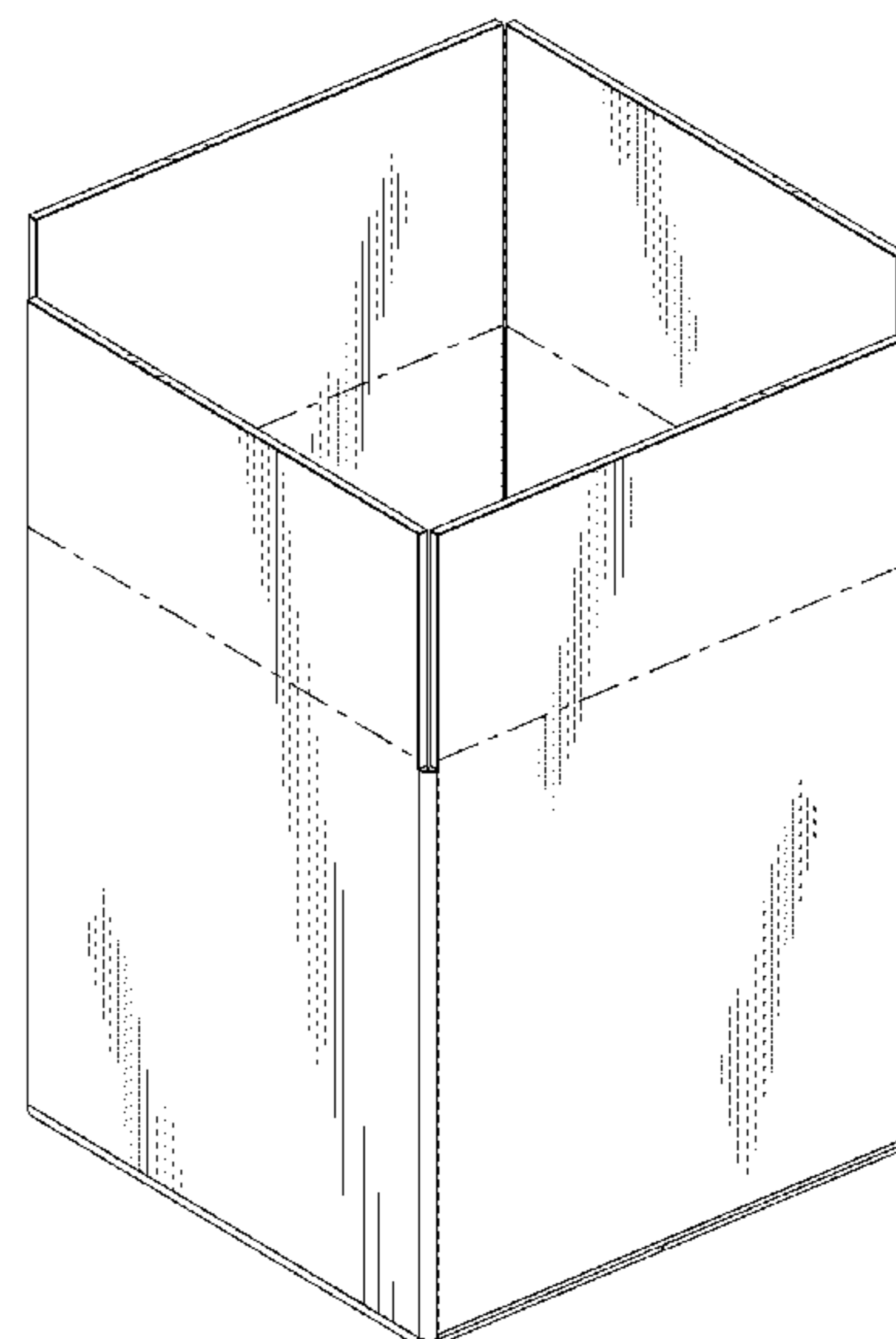
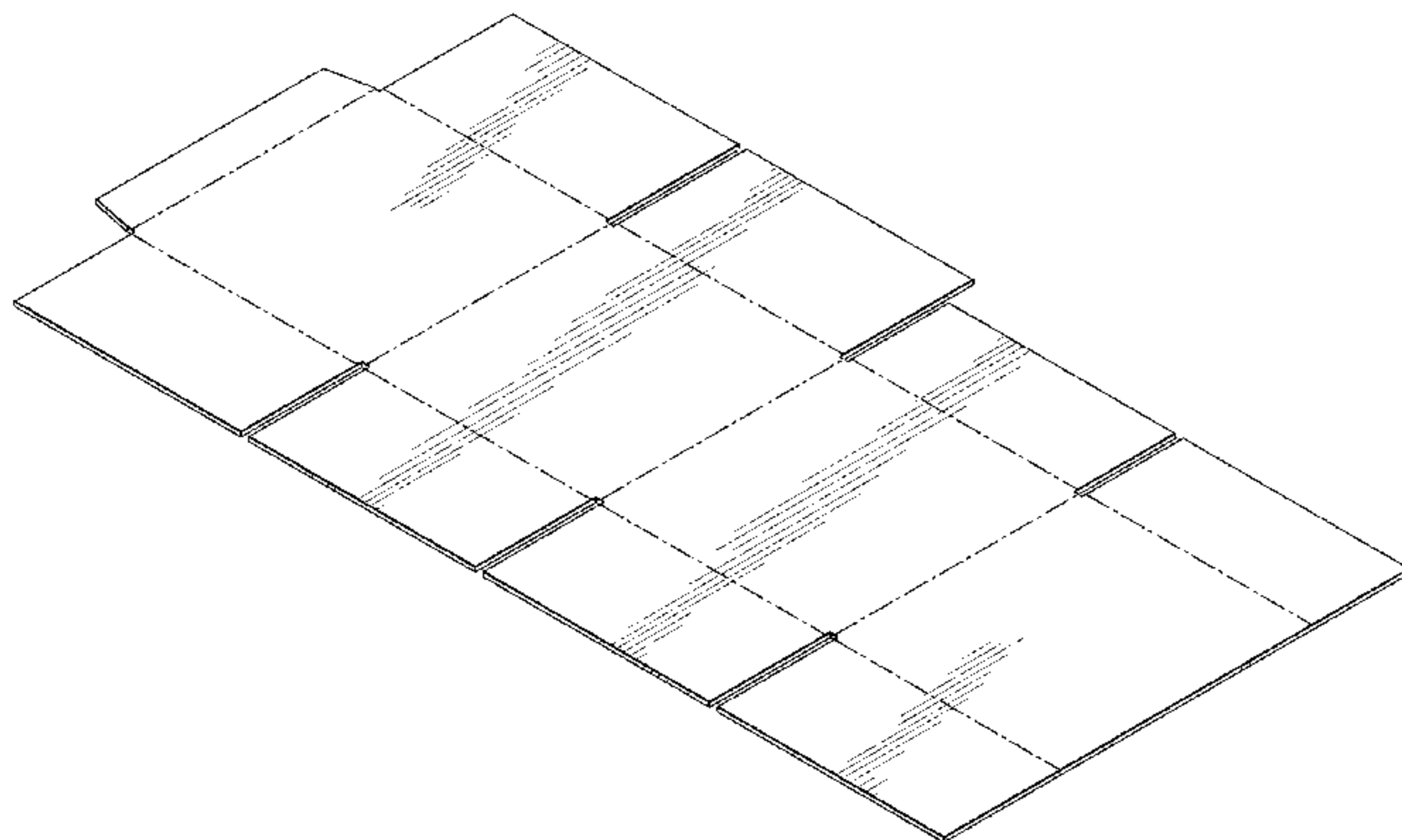
(57) **CLAIM**

The ornamental design for a packaging container, as shown and described.

DESCRIPTION

FIG. 1 is a top, front and right side perspective view of a packaging container, showing the new design;
FIG. 2 is a front elevation view thereof;
FIG. 3 is a top plan view thereof;
FIG. 4 is a bottom plan view thereof;
FIG. 5 is a rear elevation view thereof;
FIG. 6 is a left side elevation view thereof;
FIG. 7 is a right side elevation view thereof;
FIG. 8 is a top, rear and right side perspective view thereof;
FIG. 9 is a top, front and right side perspective view of a packaging container, showing the new design as assembled;
FIG. 10 is a front elevation view of the packaging container of FIG. 9;
FIG. 11 is a top plan view of the packaging container of FIG. 9;
FIG. 12 is a bottom plan view of the packaging container of FIG. 9;
FIG. 13 is a rear elevation view of the packaging container of FIG. 9;
FIG. 14 is a left side elevation view of the packaging container of FIG. 9;
FIG. 15 is a right side elevation view of the packaging container of FIG. 9;
FIG. 16 is a top, rear and right side perspective view of the packaging container of FIG. 9; and,
FIG. 17 is a bottom, front and right side perspective view of the packaging container of FIG. 9.
The centerline style lines (i.e. dot-dash-dot) in the drawings depict claimed fold lines.

1 Claim, 13 Drawing Sheets



(56)

References Cited

U.S. PATENT DOCUMENTS

D514,928	S *	2/2006	Keberlein	206/233
D638,307	S *	5/2011	Rossi	D9/721
D656,406	S *	3/2012	Boyer	D9/432
D724,940	S *	3/2015	Kim	D9/423
9,193,521	B2 *	11/2015	Wilhelm	B65D 88/522
D778,723	S *	2/2017	Valenzuela	D9/433
9,567,130	B1 *	2/2017	Drouet	B65D 5/52
D804,302	S *	12/2017	Larkin	D9/432
10,076,887	B2 *	9/2018	Aganovic	B65D 21/023
2008/0135445	A1 *	6/2008	Juliano	B65D 5/503
					206/592
2009/0152335	A1 *	6/2009	McClure	B65D 5/5035
					229/120
2013/0119122	A1 *	5/2013	Spivey, Sr.	B65D 71/36
					229/117.12
2014/0021071	A1 *	1/2014	Alexander	B65B 5/024
					206/139
2016/0052664	A1 *	2/2016	Ward, Jr.	B65D 5/18
					229/143
2016/0229580	A1 *	8/2016	Guardiola	B65D 5/0227
2018/0170602	A1 *	6/2018	Mainz	B65B 55/10

* cited by examiner

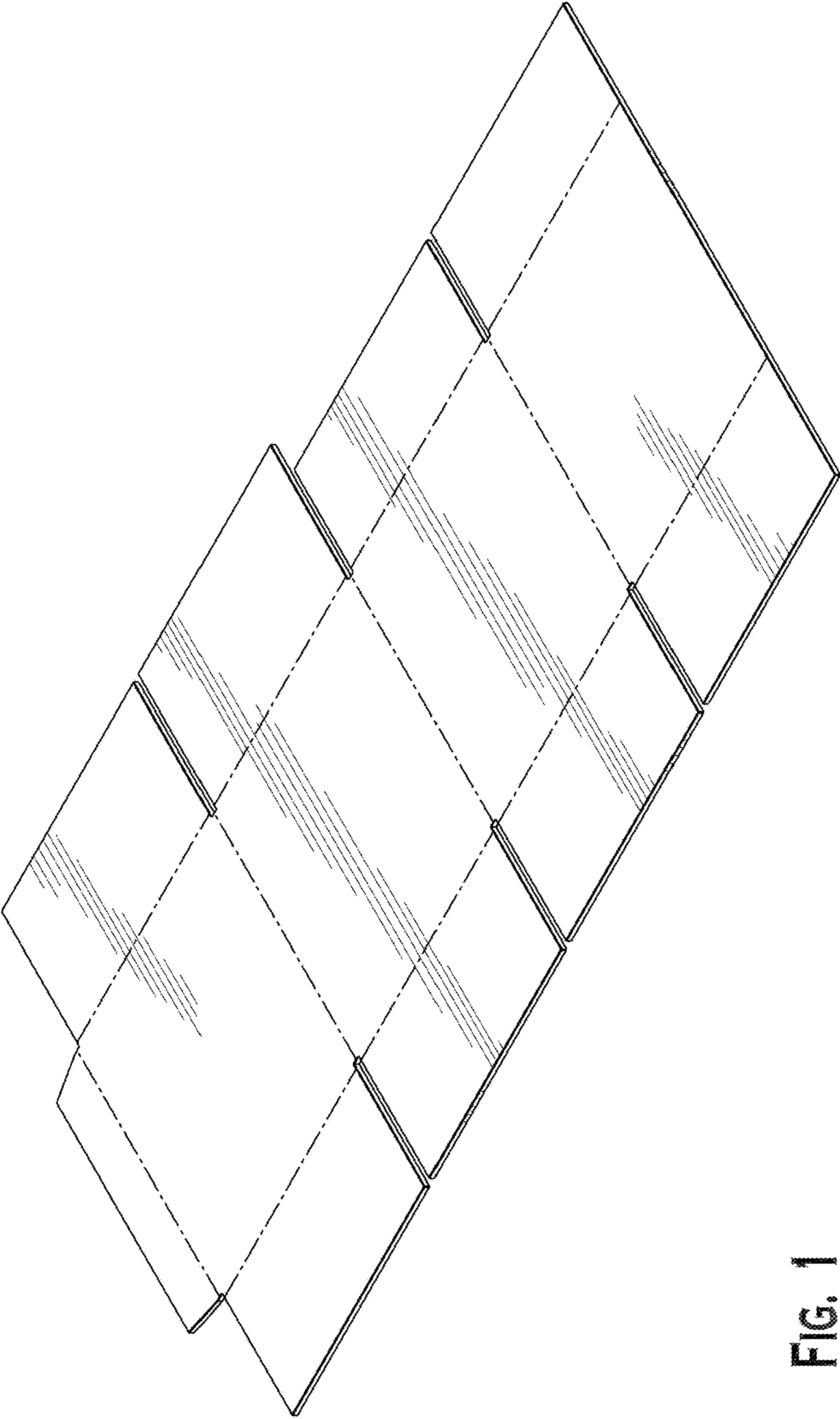


FIG. 1



FIG. 2

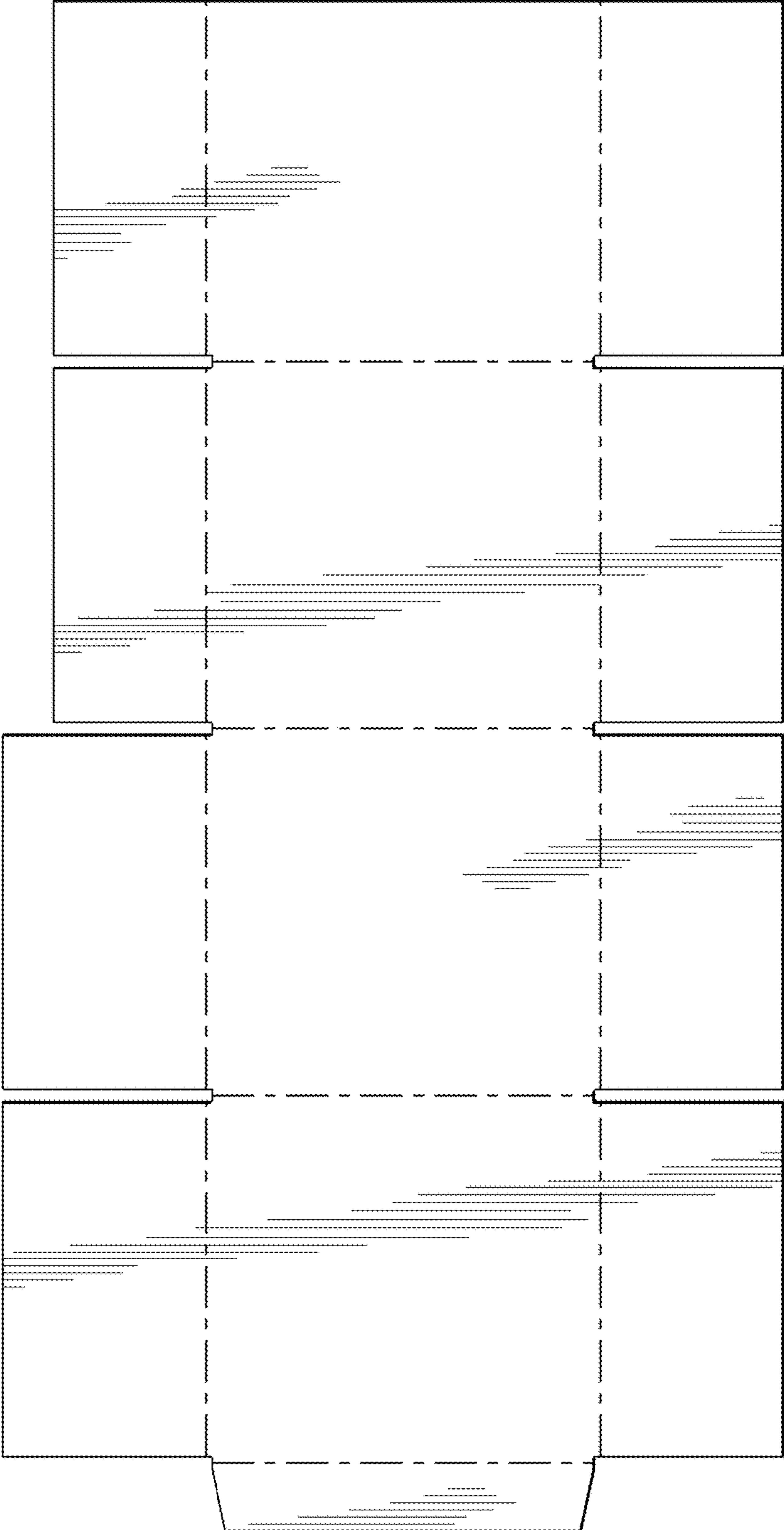


FIG. 3

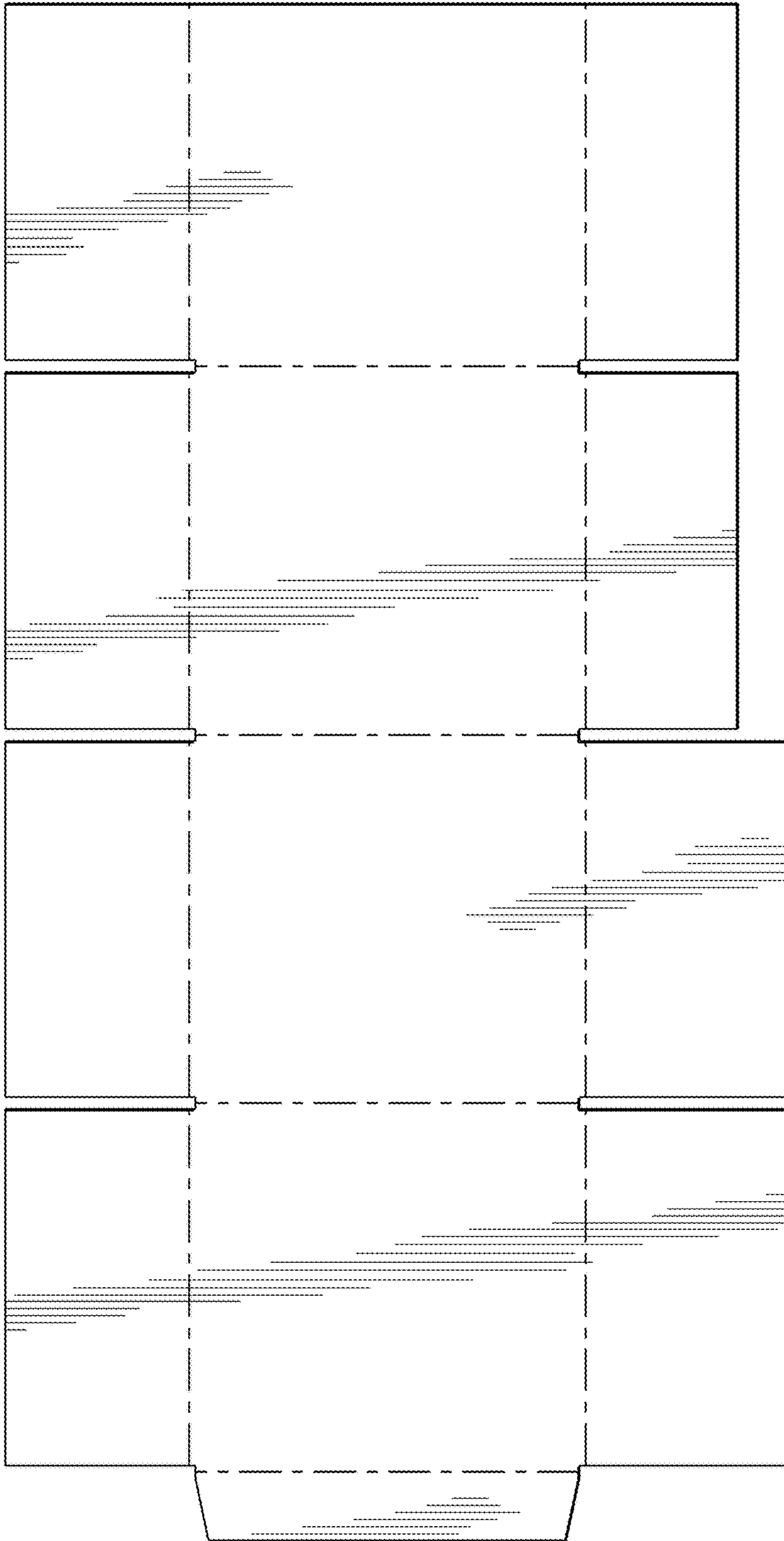


FIG. 4



FIG. 5



FIG. 6



FIG. 7

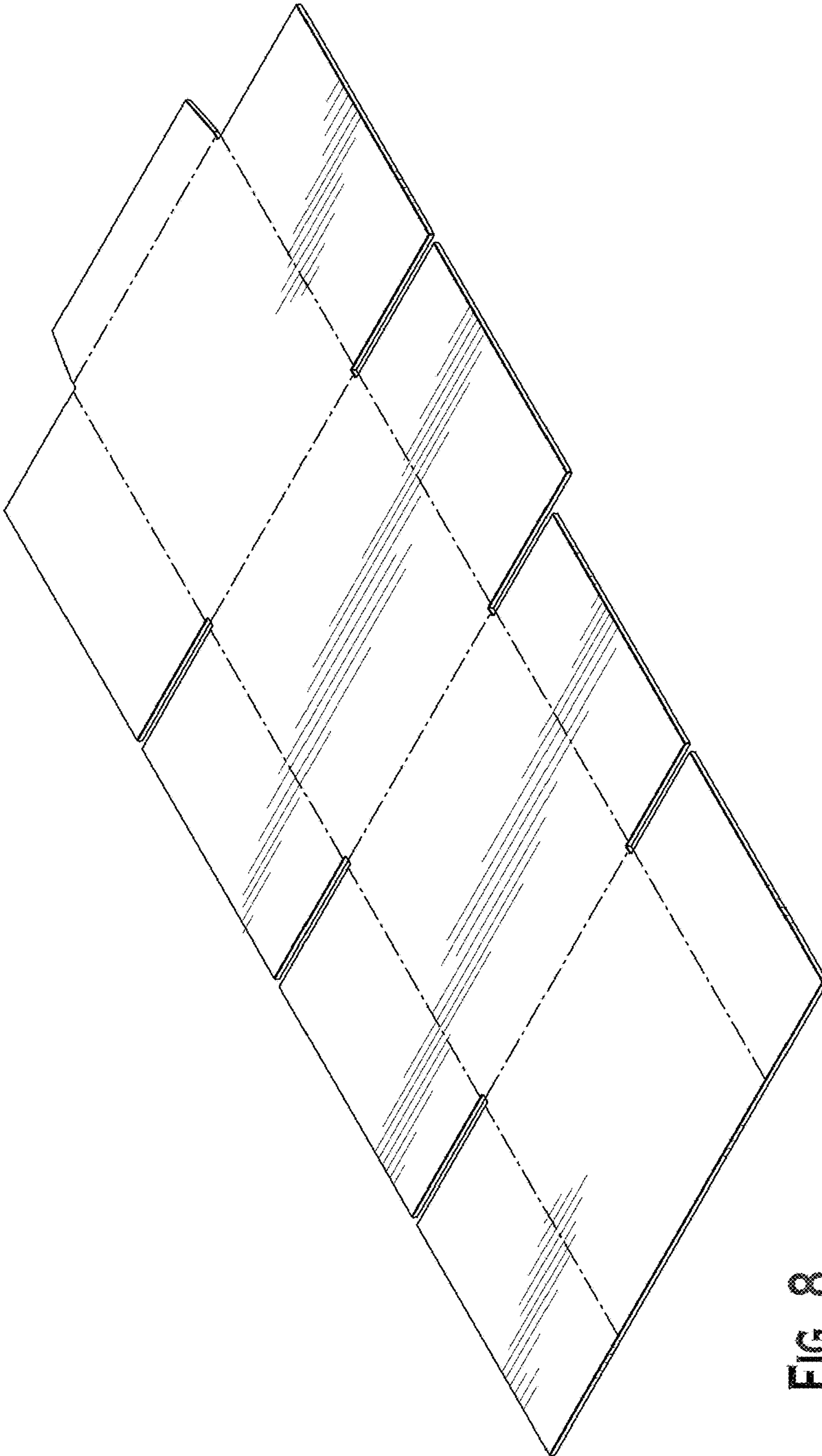


FIG. 8

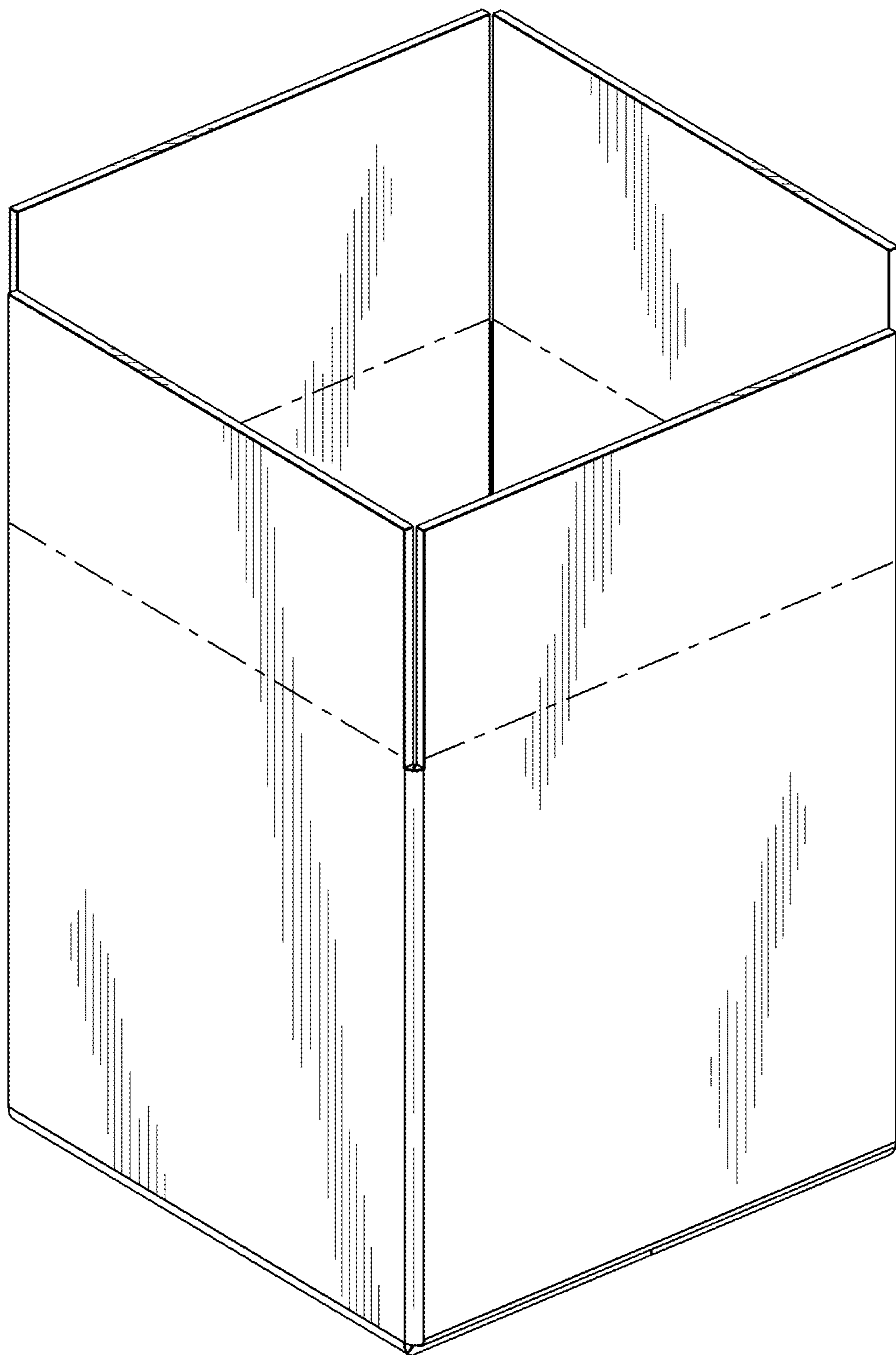


FIG. 9

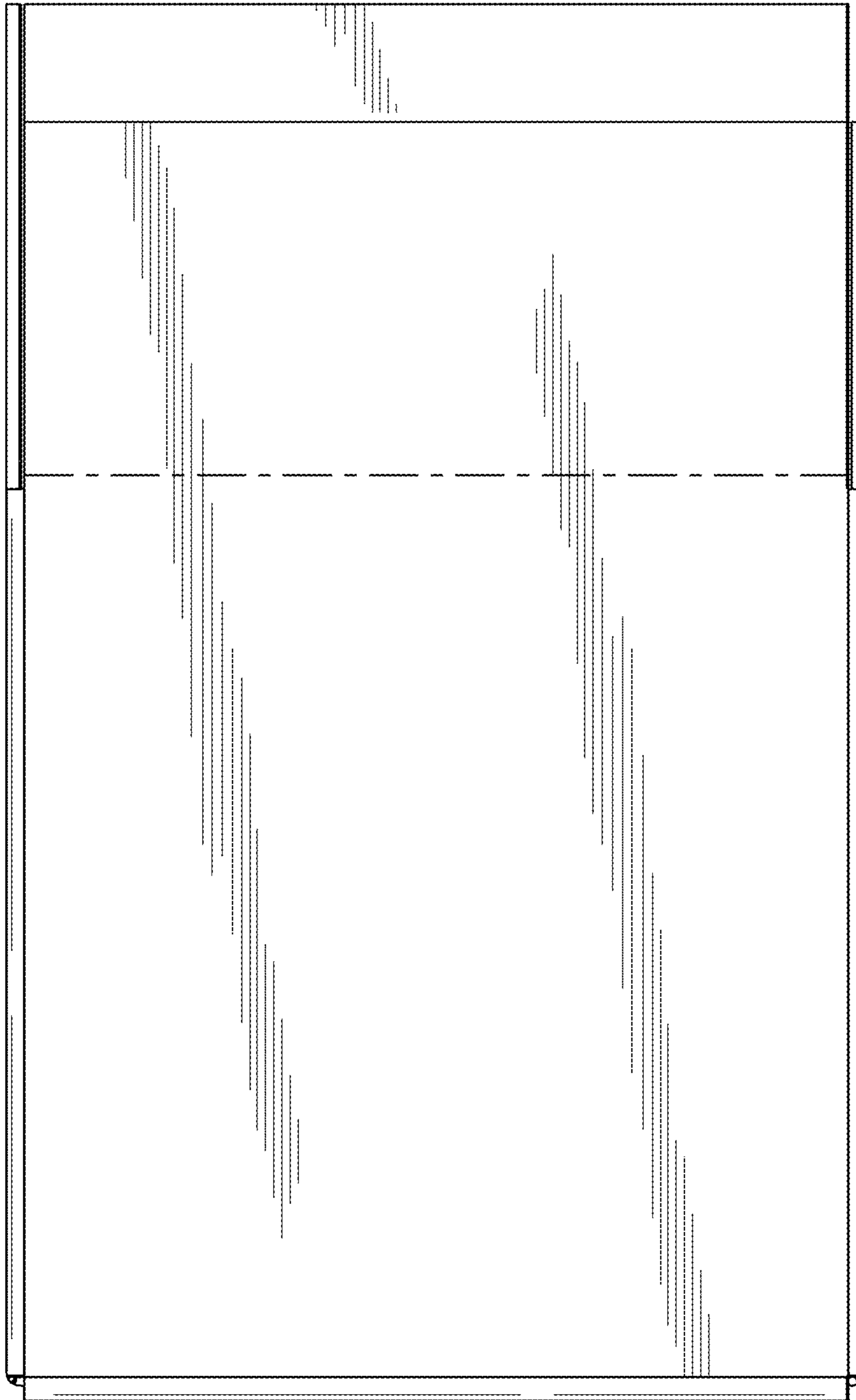


FIG. 10

FIG. 11

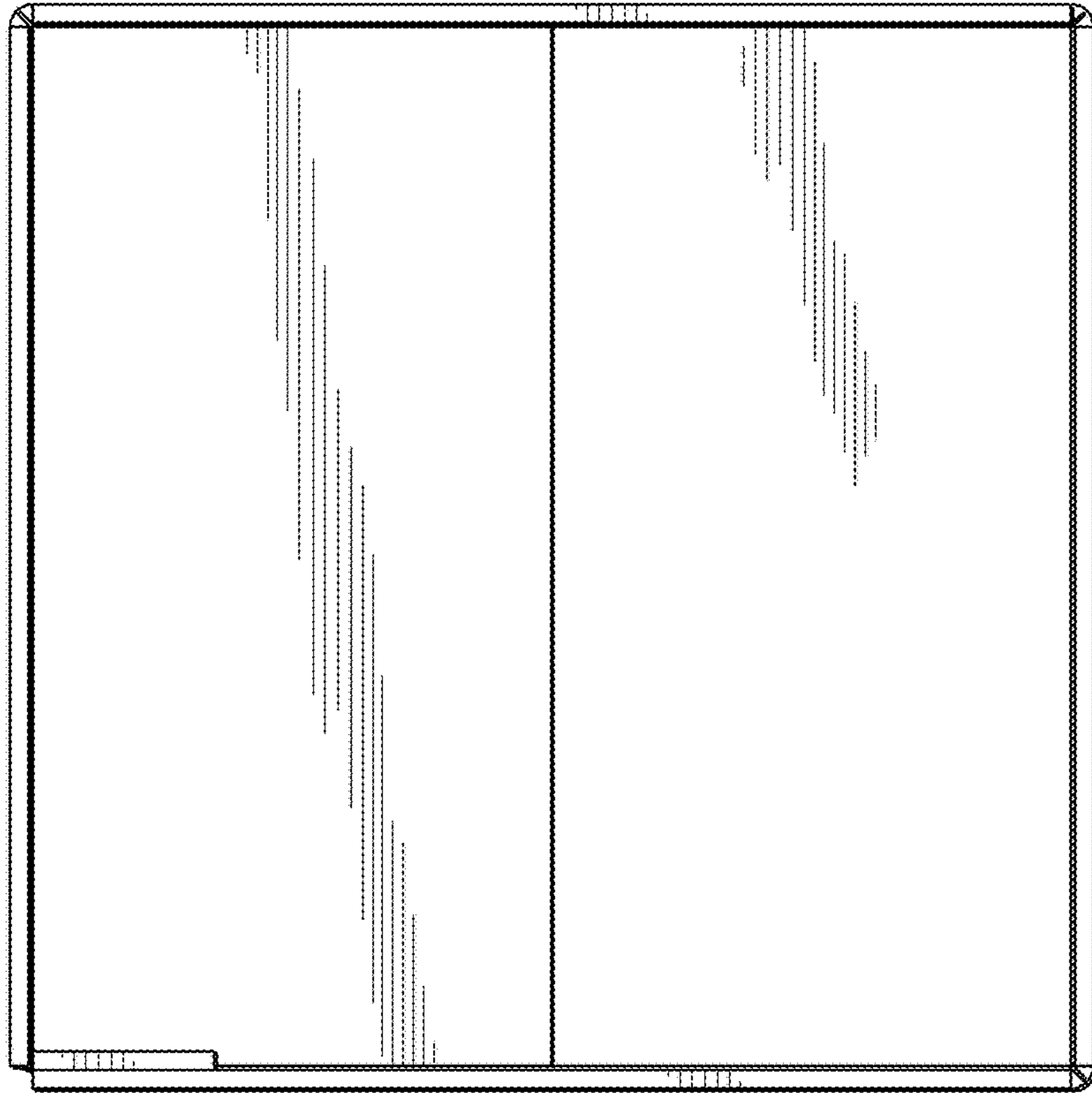
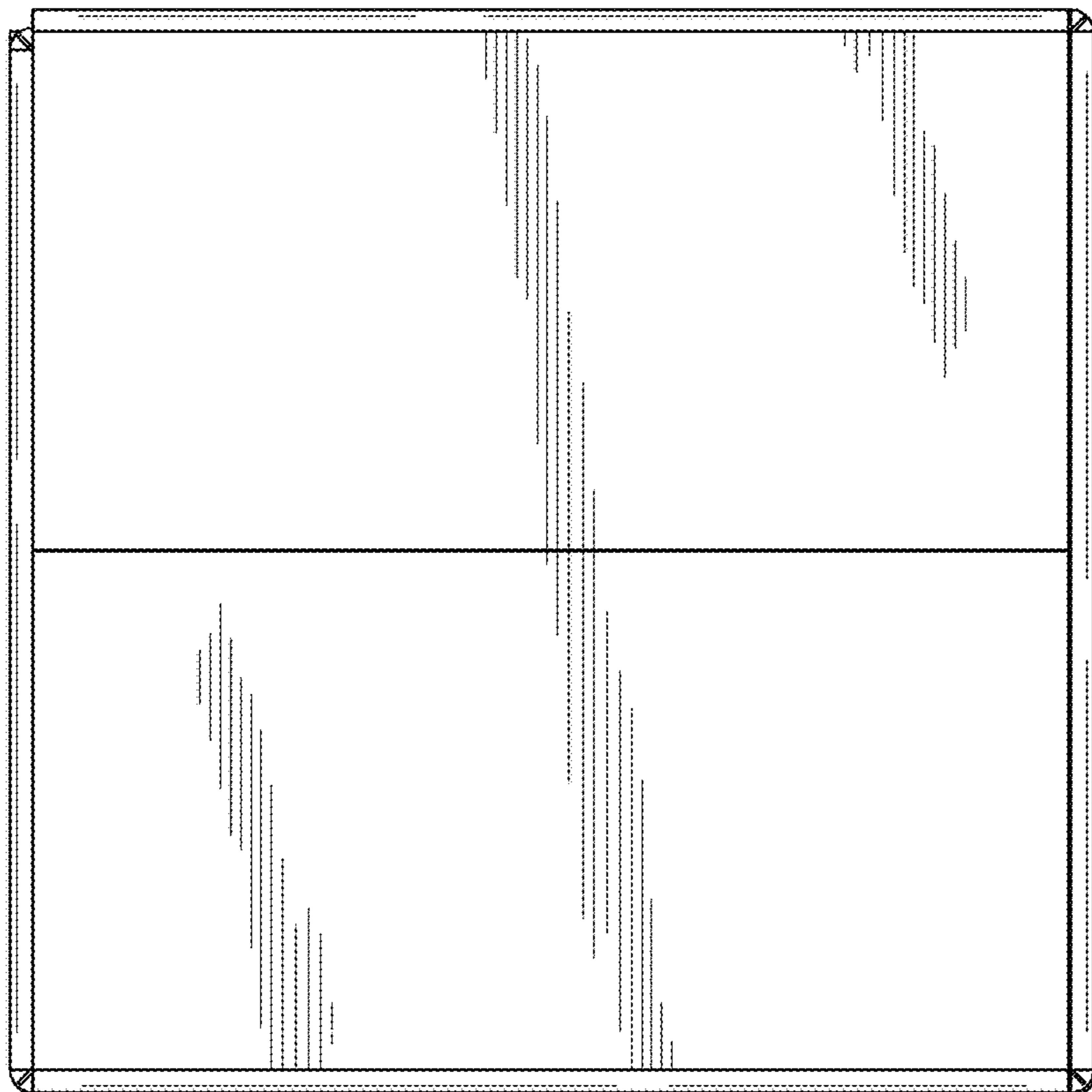


FIG. 12



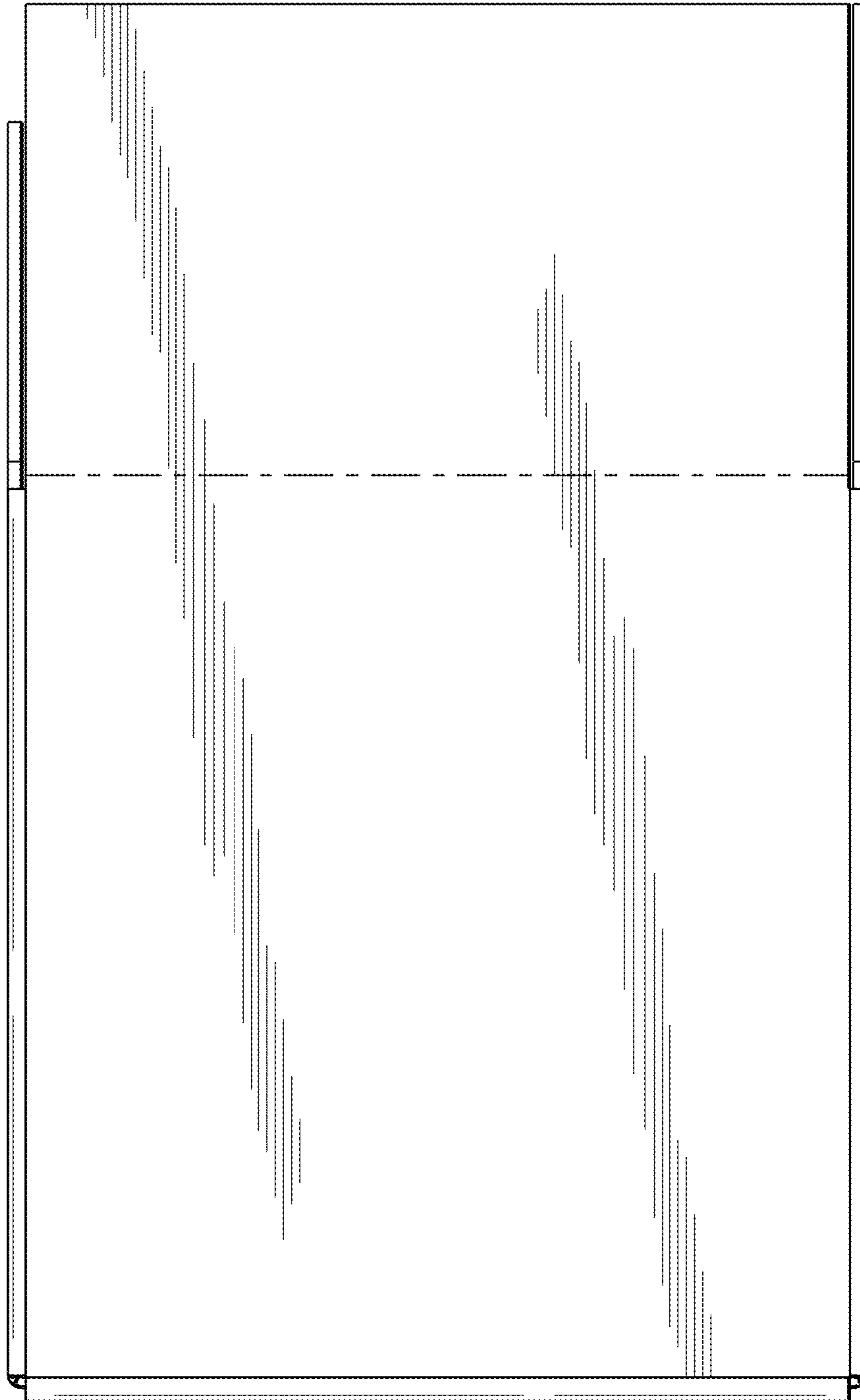


FIG. 13

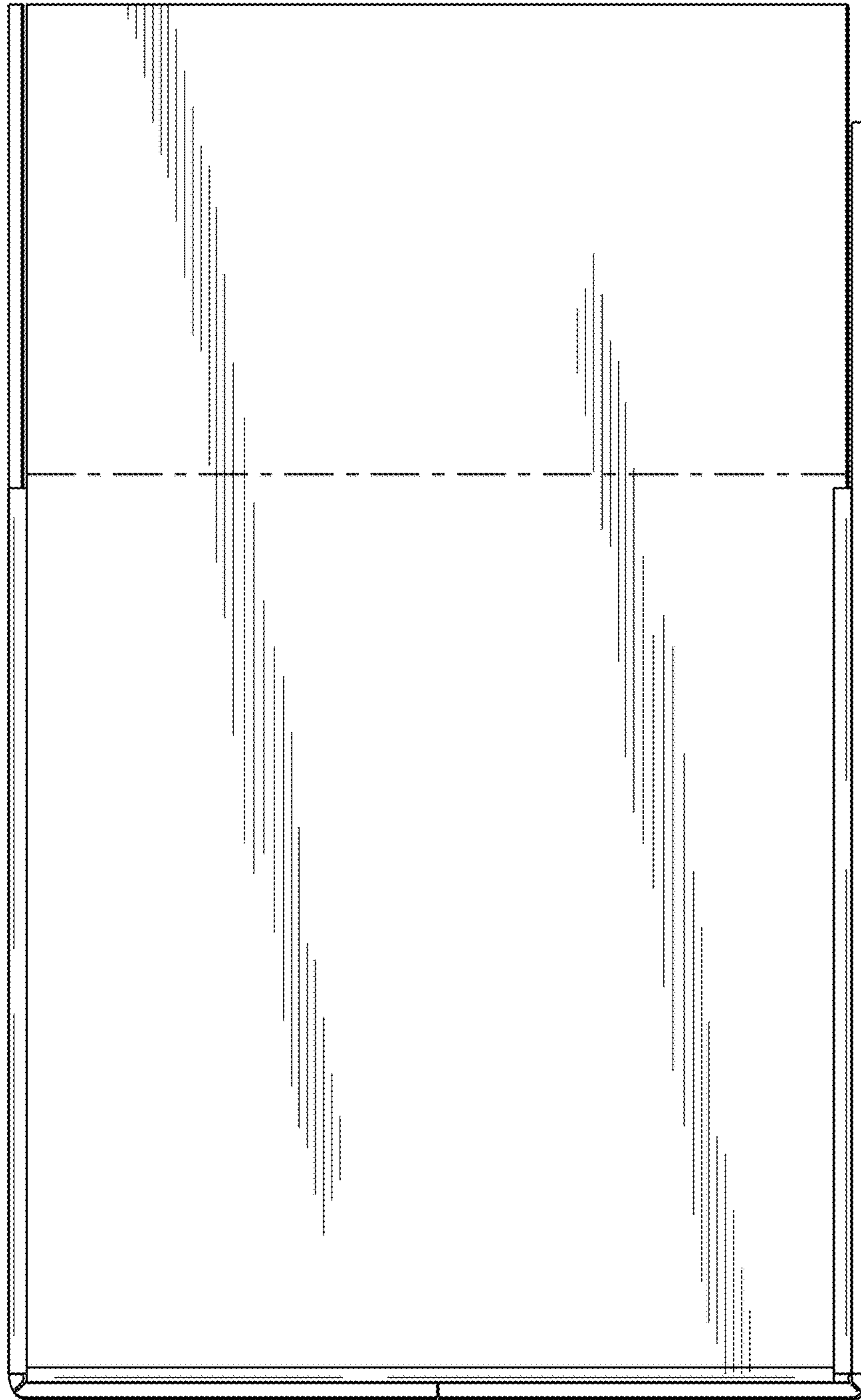


FIG. 14

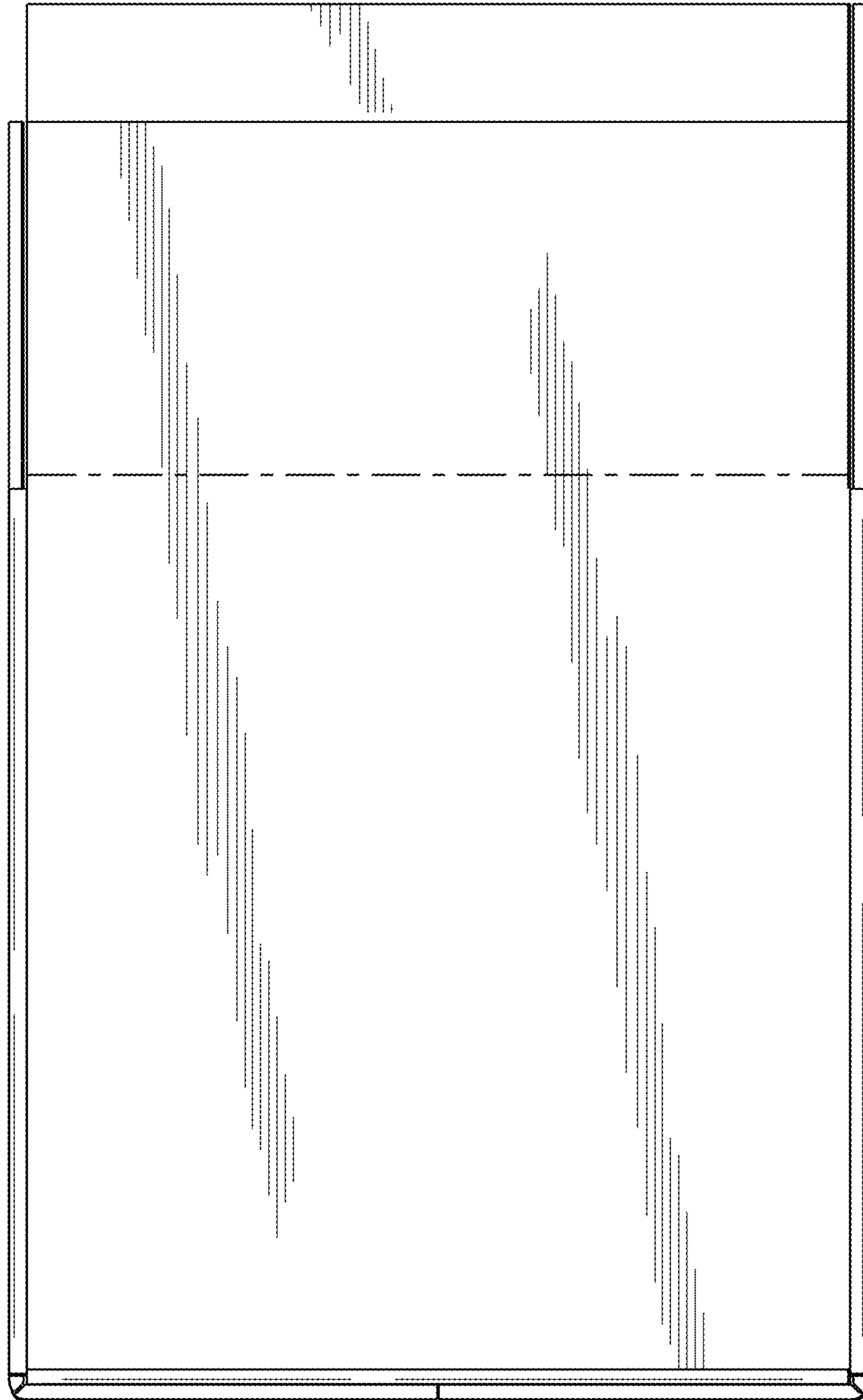


FIG. 15

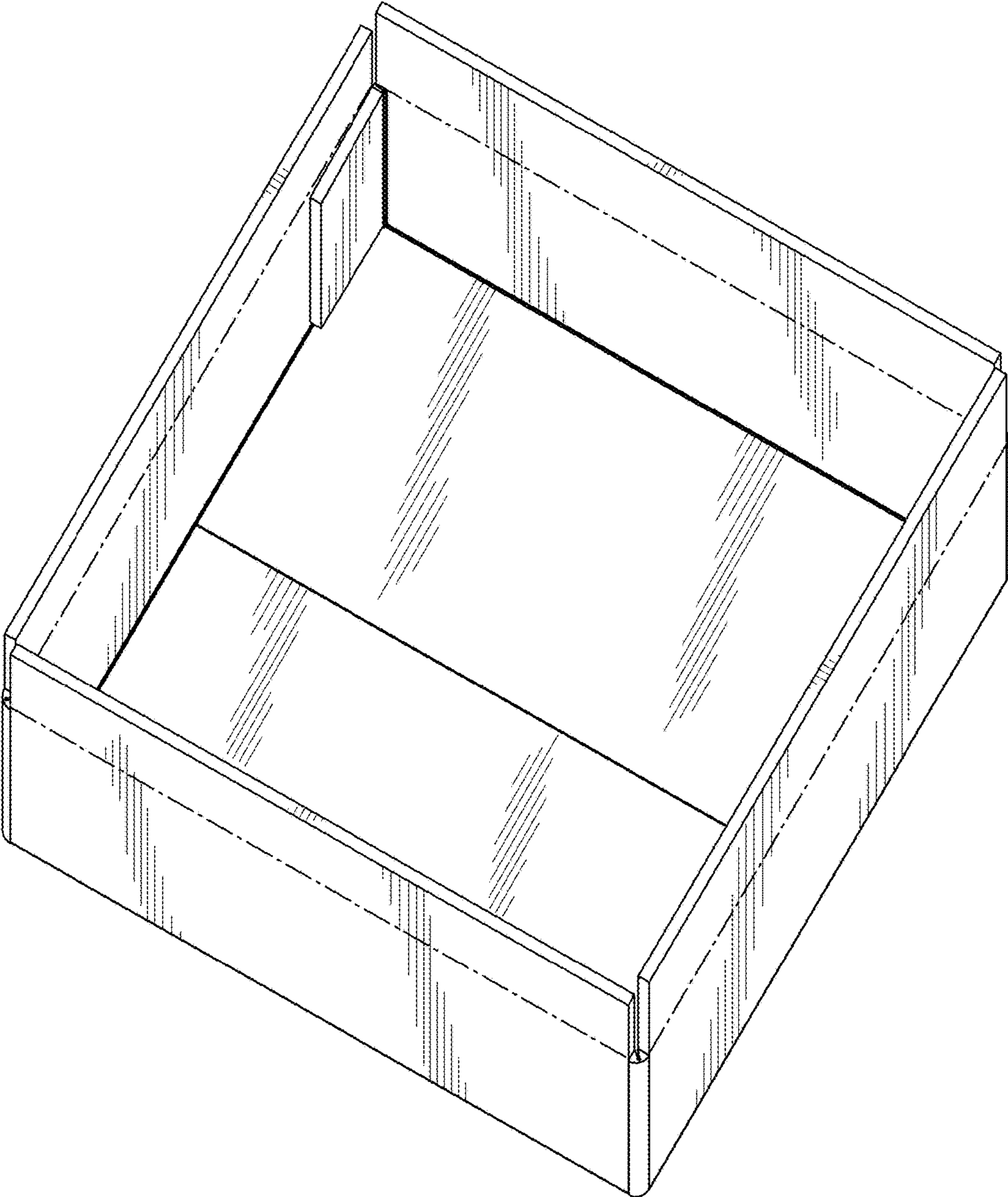


FIG. 16

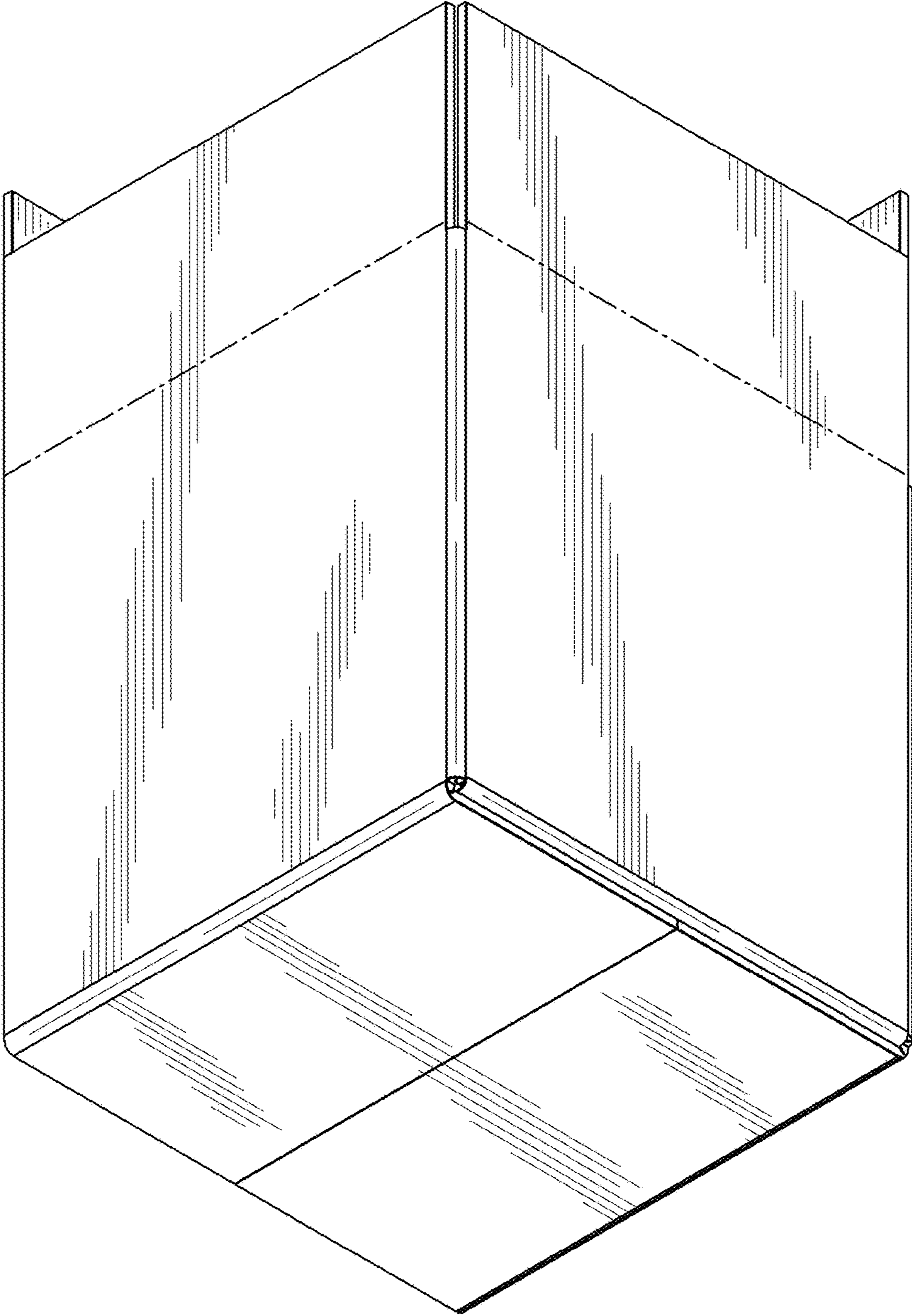


FIG. 17