



US00D850251S

(12) **United States Design Patent**
Lin

(10) **Patent No.:** **US D850,251 S**
(45) **Date of Patent:** **** Jun. 4, 2019**

(54) **CONTAINER**

(71) Applicant: **Yun Lin**, Huizhou (CN)

(72) Inventor: **Yun Lin**, Huizhou (CN)

(**) Term: **15 Years**

(21) Appl. No.: **29/625,707**

(22) Filed: **Nov. 12, 2017**

(51) **LOC (11) Cl.** **09-03**

(52) **U.S. Cl.**

USPC **D9/428**

(58) **Field of Classification Search**

USPC D7/400, 601, 608; D9/416, 417, 420,
D9/425-429, 430, 432, 761; 206/499,
206/501, 502, 821; 220/625, 656, 669,
220/670, 674; 229/123.1, 123.2, 125.33,
229/125.35, 400-407, 915, 939
CPC . B65D 1/26; B65D 1/40; B65D 5/243; B65D
81/3453; B65D 2581/34; B65D
2581/3404; B65D 2581/3456

See application file for complete search history.

(56) **References Cited**

U.S. PATENT DOCUMENTS

D239,999 S * 5/1976 Christian D7/584
D474,110 S * 5/2003 Sweeney D9/425
D549,050 S * 8/2007 Spencer D7/538
D649,871 S * 12/2011 Noer D9/428
D702,510 S * 4/2014 Segal D7/629

D761,061 S * 7/2016 McConnell D7/587
9,657,155 B2 * 5/2017 O'Brien C08K 3/34
2007/0102425 A1 * 5/2007 Richardson B65D 15/14
219/734

OTHER PUBLICATIONS

Fit Meal Prep 8 Oz. Food Storage Containers, announced Aug. 2016, [online], site visited Jan. 1, 2019. Available from Internet, URL: <http://www.amazon.com> (Year: 2016).*

* cited by examiner

Primary Examiner — Derrick E Holland

Assistant Examiner — Janice Patyk

(74) *Attorney, Agent, or Firm* — Ming Jiang; MM IP Services LLC

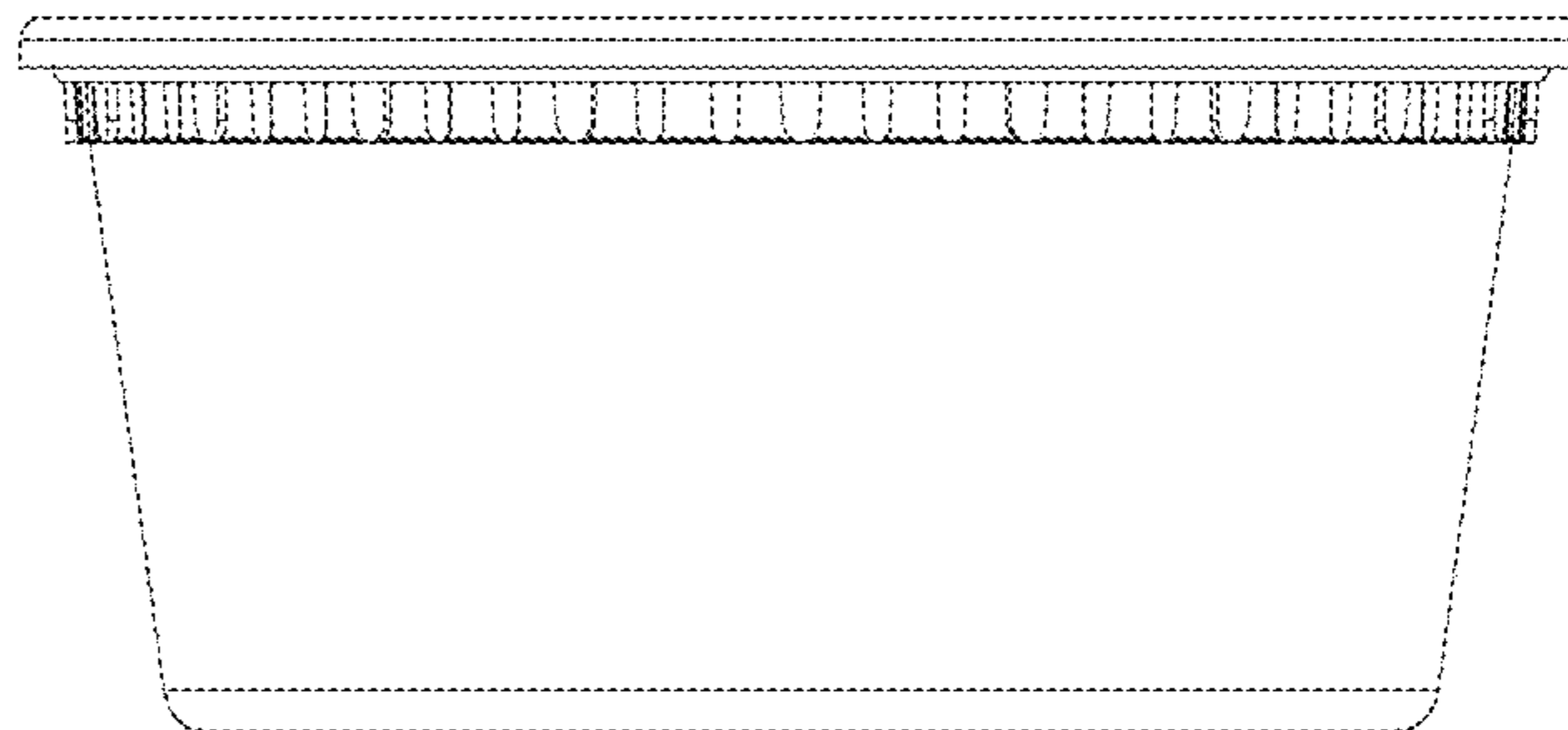
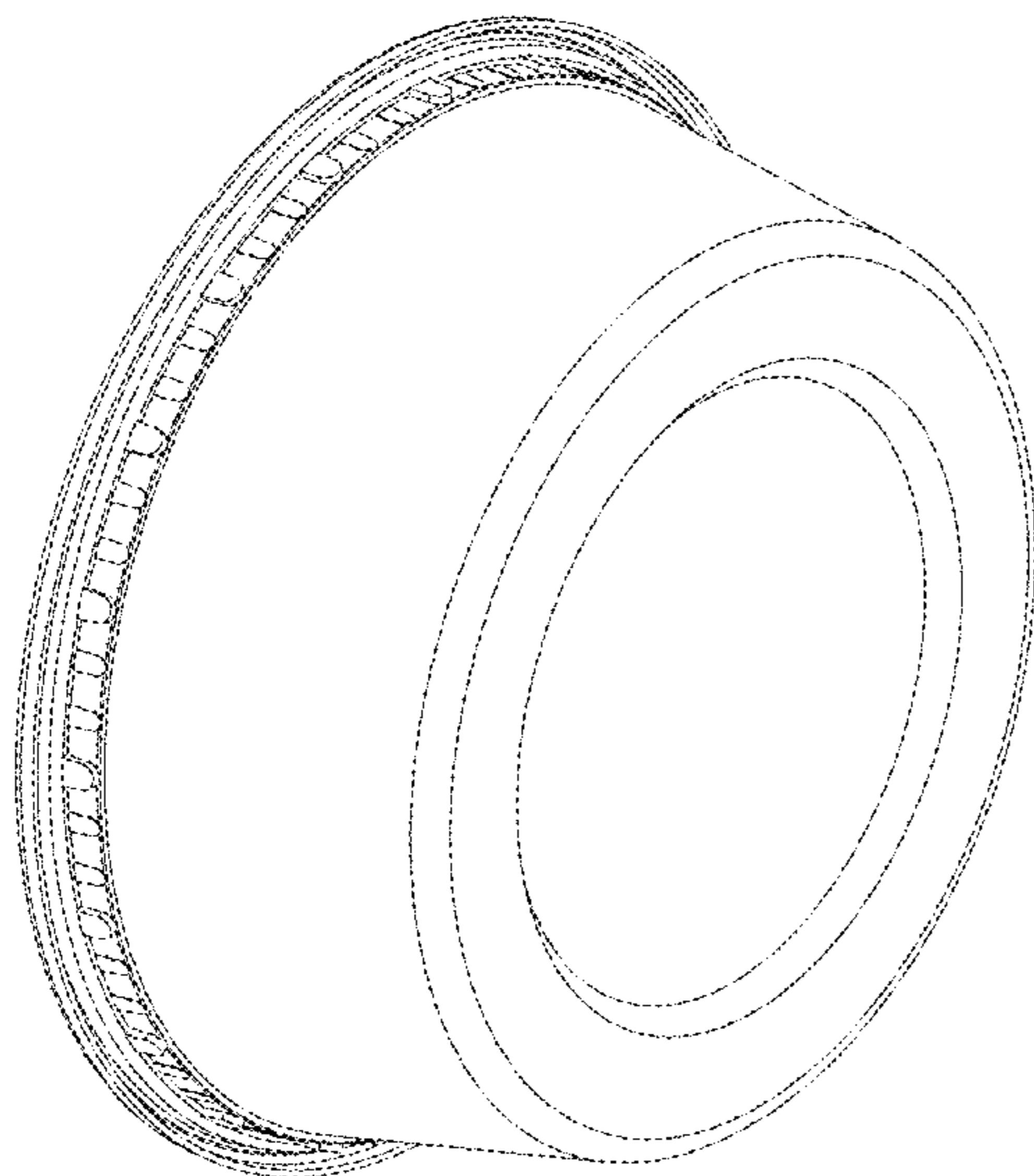
(57) **CLAIM**

The ornamental design for a container, as shown and described.

DESCRIPTION

FIG. 1 is a left side, top perspective view of a container, showing my new design;
FIG. 2 is a top plan view thereof;
FIG. 3 is a bottom plan view thereof; and,
FIG. 4 is a left side view thereof, the right side, front, and rear views being mirror images thereof.
The broken lines in the figures illustrate the portions of the container that form no part of the claimed design.

1 Claim, 4 Drawing Sheets



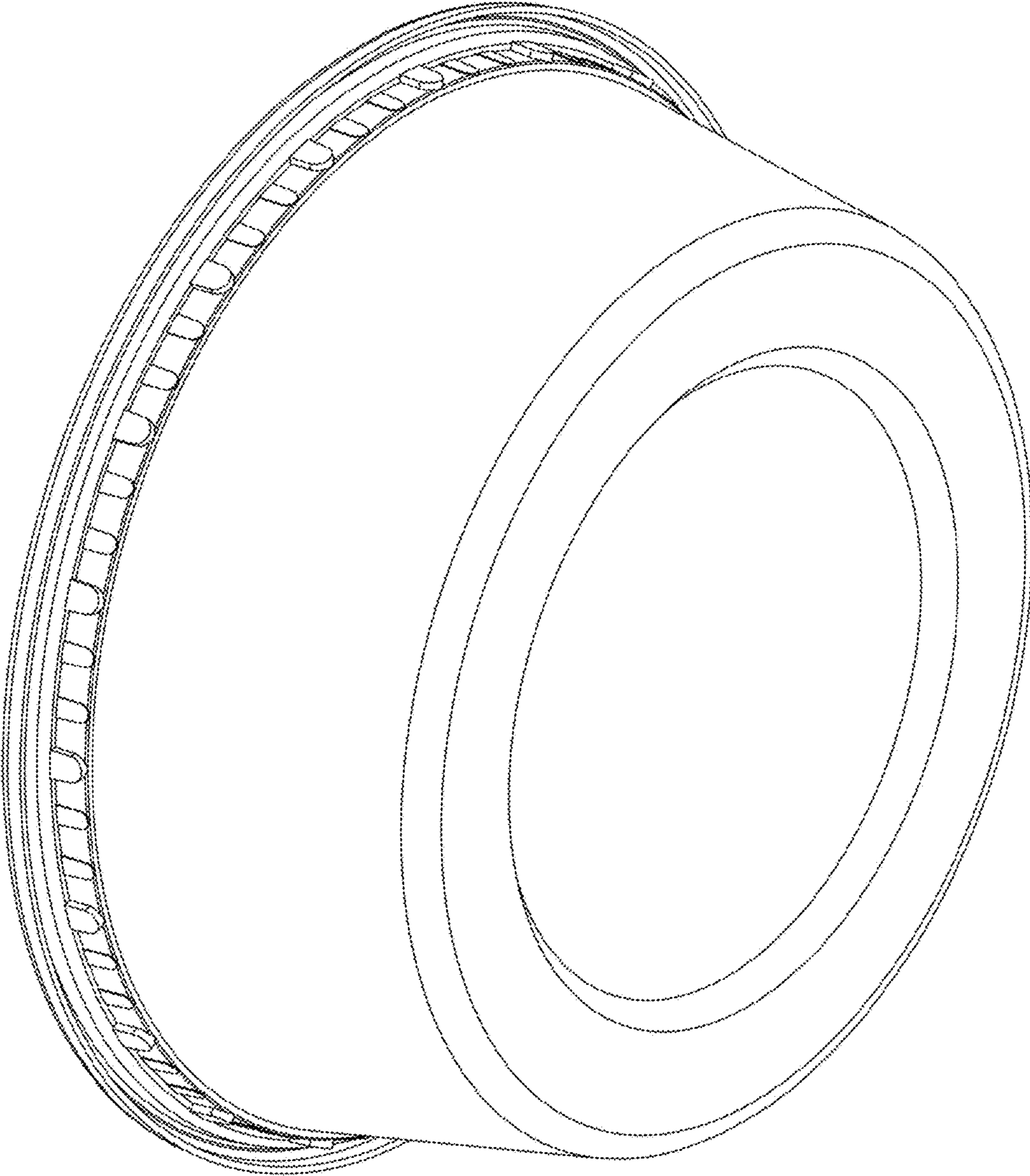


FIG. 1

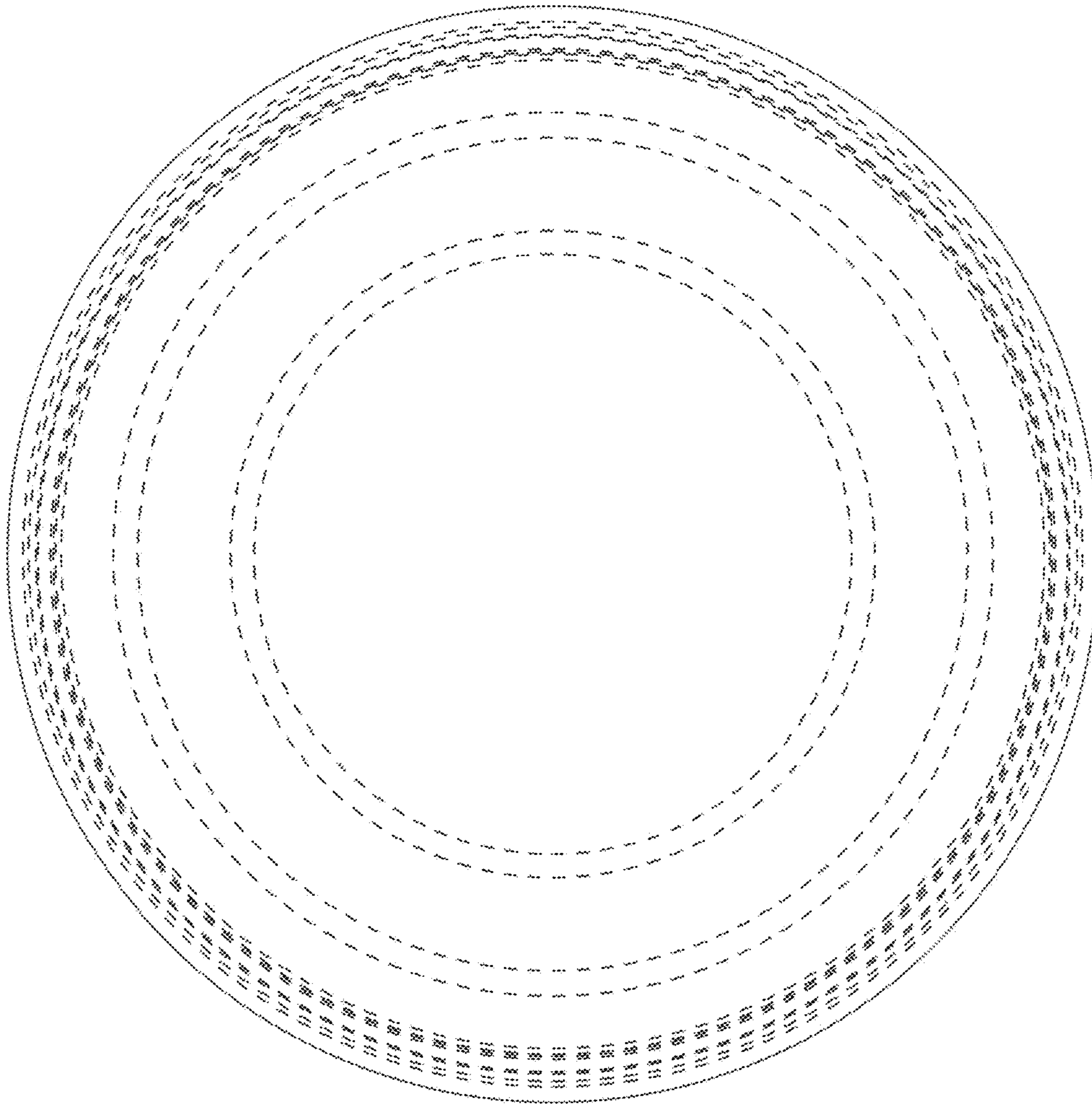


FIG. 2

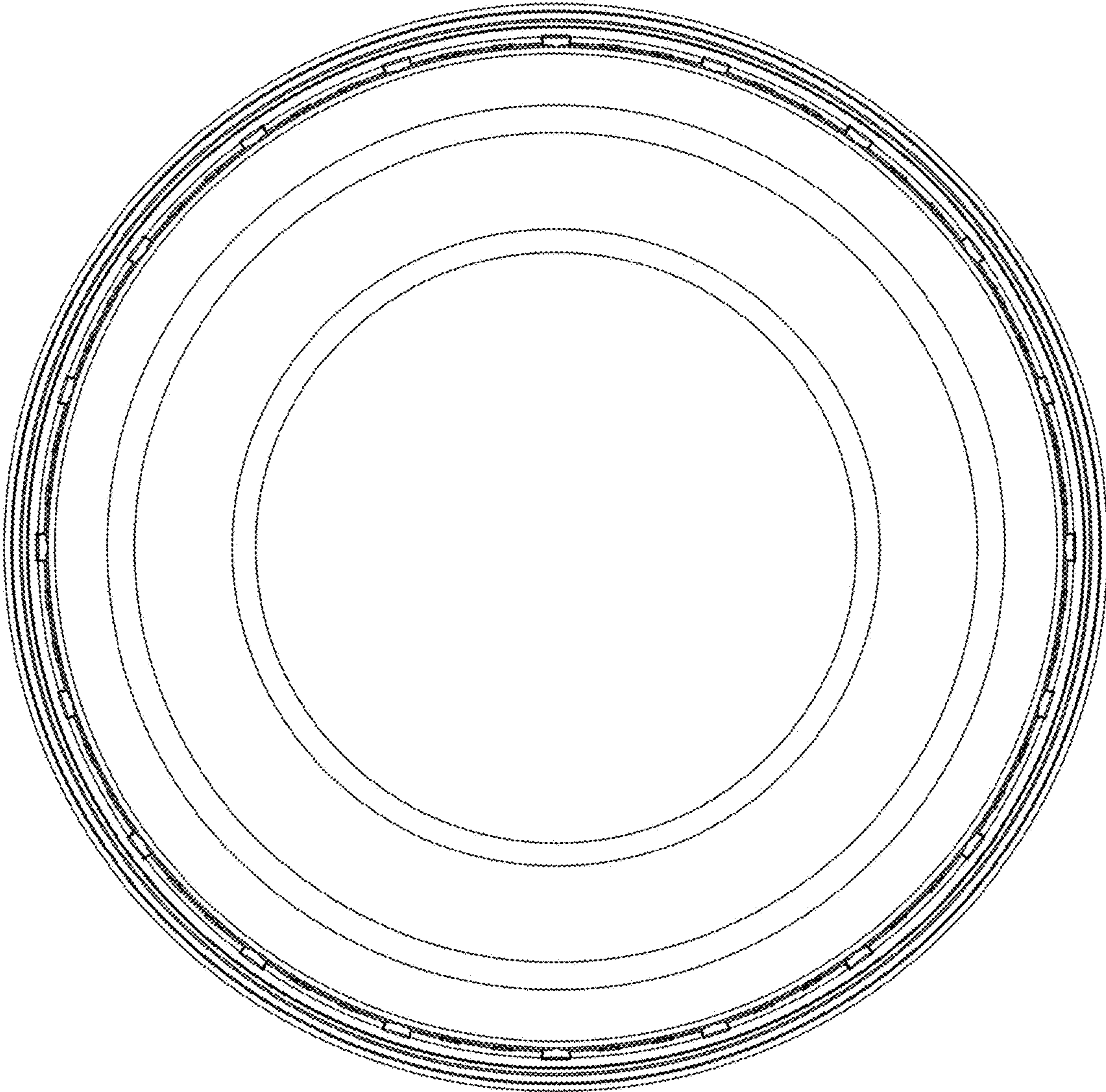


FIG. 3

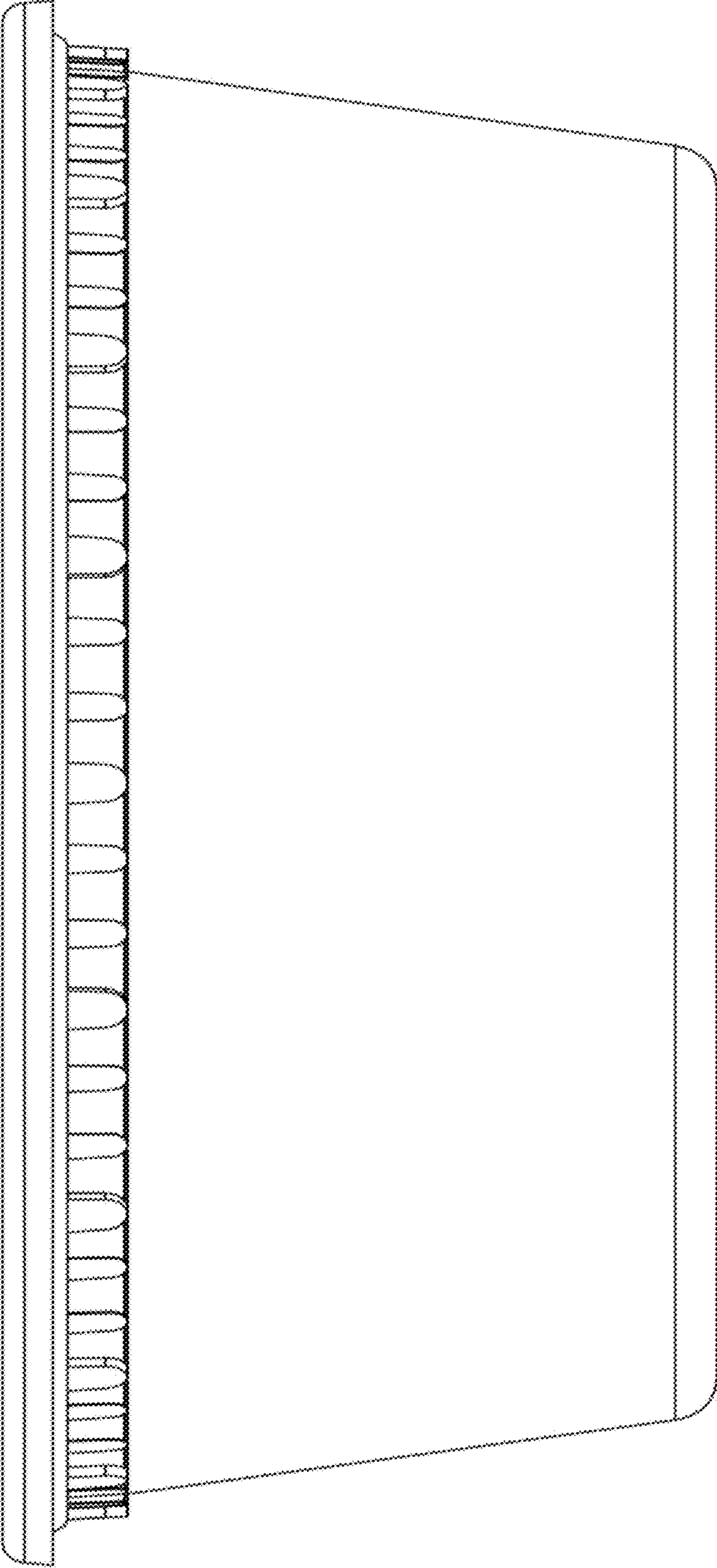


FIG. 4