



US00D850249S

(12) **United States Design Patent**
D'Alessandro et al.

(10) **Patent No.:** **US D850,249 S**
(45) **Date of Patent:** **** Jun. 4, 2019**

(54) **PAGODA CONTAINER**

DESCRIPTION

- (71) Applicant: **Inline Plastics Corp.**, Shelton, CT (US)
- (72) Inventors: **Roman D'Alessandro**, Brookfield, CT (US); **Victor Ivenitsky**, South Salem, NY (US)
- (73) Assignee: **Inline Plastics Corp.**, Shelton, CT (US)
- (**) Term: **15 Years**
- (21) Appl. No.: **29/651,209**
- (22) Filed: **Feb. 16, 2018**
- (51) **LOC (11) Cl.** **09-03**
- (52) **U.S. Cl.**
USPC **D9/423**
- (58) **Field of Classification Search**
USPC D9/418, 420, 424, 425, 426, 430, 431, D9/432, 433, 438, 449, 629, 711, 737;
(Continued)

FIG. 1 is a perspective view showing the pagoda container of the subject disclosure in the open configuration;
 FIG. 2 is a perspective view showing the pagoda container of FIG. 1 in the closed configuration;
 FIG. 3 is a right side view of the pagoda container of FIG. 1 in the open configuration;
 FIG. 4 is a right side view of the pagoda container of FIG. 1 in the closed configuration;
 FIG. 5 is a front side view of the pagoda container of FIG. 1 in the closed configuration;
 FIG. 6 is a top plan view of the pagoda container of FIG. 1 in the open configuration;
 FIG. 7 is a top plan view of the pagoda container of FIG. 1 in the closed configuration;
 FIG. 8 is a perspective view of another embodiment of the pagoda container of the subject disclosure in the open configuration;
 FIG. 9 is a perspective view showing the pagoda container of FIG. 8 in the closed configuration;
 FIG. 10 is a right side view of the pagoda container of FIG. 8 in the open configuration;
 FIG. 11 is a right side view of the pagoda container of FIG. 8 in the closed configuration;
 FIG. 12 is a front side view of the pagoda container of FIG. 8 in the closed configuration;
 FIG. 13 is a top plan view of the pagoda container of FIG. 8 in the open configuration;
 FIG. 14 is a top plan view of the pagoda container of FIG. 8 in the closed configuration;
 FIG. 15 is a perspective view of another embodiment of the pagoda container of the subject disclosure;
 FIG. 16 is a perspective view showing the pagoda container of FIG. 15 in the closed configuration;
 FIG. 17 is a right side view of the pagoda container of FIG. 15 in the open configuration;
 FIG. 18 is a right side view of the pagoda container of FIG. 15 in the closed configuration;
 FIG. 19 is a front side view of the pagoda container of FIG. 15 in the closed configuration;
 FIG. 20 is a top plan view of the pagoda container of FIG. 15 in the open configuration; and

(Continued)

(56) **References Cited**

U.S. PATENT DOCUMENTS

- D219,132 S * 11/1970 Latham et al. D9/423
 - D241,820 S * 10/1976 Congleton D9/423
- (Continued)

OTHER PUBLICATIONS

Inline Safe-T-Fresh Pagodaware Brochure; retrieved from <https://www.inlineplastics.com/>; retrieved on Jan. 14, 2019. Posted Aug. 15, 2018. (Year: 2018).*

(Continued)

Primary Examiner — Wan Laymon

Assistant Examiner — Clint A Samuel

(74) *Attorney, Agent, or Firm* — McCarter & English, LLP; David J. Silvia

(57) **CLAIM**

The ornamental design for a pagoda container, as shown and described.

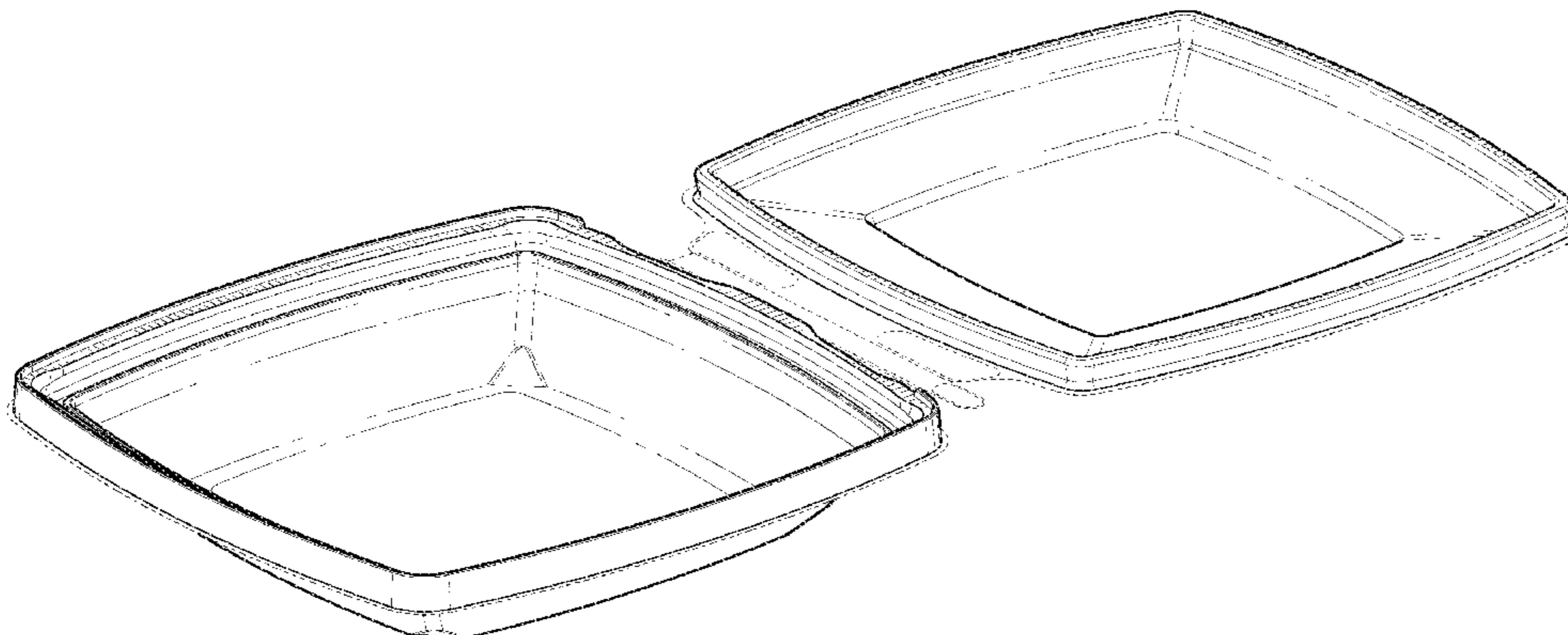


FIG. 21 is a top plan view of the pagoda container of FIG. 15 in the closed configuration;
 FIG. 22 is a perspective view of another embodiment of the pagoda container of the subject disclosure;
 FIG. 23 is a perspective view showing the pagoda container of FIG. 22 in the closed configuration;
 FIG. 24 is a right side view of the pagoda container of FIG. 22 in the open configuration;
 FIG. 25 is a right side view of the pagoda container of FIG. 22 in the closed configuration;
 FIG. 26 is a front side view of the pagoda container of FIG. 22 in the closed configuration;
 FIG. 27 is a top plan view of the pagoda container of FIG. 22 in the open configuration; and
 FIG. 28 is a top plan view of the pagoda container of FIG. 22 in the closed configuration.
 FIG. 29 is a perspective view of another embodiment of the pagoda container of the subject disclosure;
 FIG. 30 is a perspective view showing the pagoda container of FIG. 29 in the closed configuration;
 FIG. 31 is a right side view of the pagoda container of FIG. 29 in the open configuration;
 FIG. 32 is a right side view of the pagoda container of FIG. 29 in the closed configuration;
 FIG. 33 is a front side view of the pagoda container of FIG. 29 in the closed configuration;
 FIG. 34 is a top plan view of the pagoda container of FIG. 29 in the open configuration; and,
 FIG. 35 is a top plan view of the pagoda container of FIG. 29 in the closed configuration.
 The regular dot-dot-dash lines are included for the purpose of illustrating portions of the pagoda container that form no part of the claimed design. The bold dot-dash-dash lines represent boundaries of the claimed design.

1 Claim, 32 Drawing Sheets

(58) **Field of Classification Search**

USPC D7/546, 549, 538, 553, 601, 602, 615,
 D7/701; 229/111, 112, 222, 230, 902,
 229/904
 CPC . B65D 5/00; B65D 5/66; B65D 5/325; B65D
 5/5253; B65D 5/5246; B65D 5/6644;
 B65D 1/34; B65D 81/3813; B65D
 43/163; B65D 21/00

See application file for complete search history.

(56)

References Cited

U.S. PATENT DOCUMENTS

D241,821	S	*	10/1976	Jewell	D9/431
D241,822	S	*	10/1976	Jewell	D9/423
D277,167	S	*	1/1985	Dart	D9/414
D278,412	S	*	4/1985	Yeung	D9/420
4,576,330	A	*	3/1986	Schepp B65D	43/162 220/315
5,860,530	A	*	1/1999	Simmons B65D	43/021 206/557
D407,014	S	*	3/1999	McCann	D9/423
D410,840	S	*	6/1999	Wyslowsky	D9/418
D420,584	S	*	2/2000	Hopkins	D9/415
D503,336	S	*	3/2005	Tucker	D9/423
D527,956	S		9/2006	Doliwa		
D541,649	S		5/2007	Ramirez et al.		
D554,498	S		11/2007	Lovett		
D556,569	S		12/2007	Stein et al.		
D557,601	S	*	12/2007	Minidis	D9/425
D573,411	S		7/2008	Lovett		
D601,014	S		9/2009	Petitjean		
D606,812	S	*	12/2009	Wu	D7/629
D628,474	S		12/2010	Snedden et al.		
D628,475	S		12/2010	Snedden et al.		
D631,742	S	*	2/2011	Hubbard, Jr.	D9/431
D640,544	S	*	6/2011	Sifuentes	D9/425
D641,256	S	*	7/2011	Fisher	D9/425
D651,479	S	*	1/2012	Nie	D7/629
D657,237	S	*	4/2012	Allers	D9/423
D663,633	S	*	7/2012	Rivera	D9/423
D664,425	S	*	7/2012	Krupa	D9/420
D668,536	S	*	10/2012	Sanfilippo	D9/423
D668,950	S	*	10/2012	Sanfilippo	D9/423
D668,965	S	*	10/2012	Crawford	D9/711
D678,763	S		3/2013	Tyberghein		
D681,450	S	*	5/2013	Wichmann	D9/432
D684,466	S	*	6/2013	Wichmann	D9/426
D701,457	S		3/2014	Murphy et al.		
D706,623	S		6/2014	Murphy et al.		
D717,161	S		11/2014	Liu		
D760,036	S	*	6/2016	Hucuptan	D9/416
D795,015	S	*	8/2017	Segal	D7/542
D798,736	S	*	10/2017	Shoshan	D9/711
D821,820	S	*	7/2018	Chen	D7/542
D826,039	S	*	8/2018	Vialle	D9/423
D837,647	S	*	1/2019	Tamshe	D9/420

OTHER PUBLICATIONS

“Anchor Packaging Sep. 2017 Catalog”, Sep. 1, 2017, p. 19 (2 pages).
 Lacerta Group, Inc. “Fresh Food, Meet Your Perfect Match”, Fresh N’ Sealed Brochure, available at least as early as Sep. 1, 2017 (8 pages).

* cited by examiner

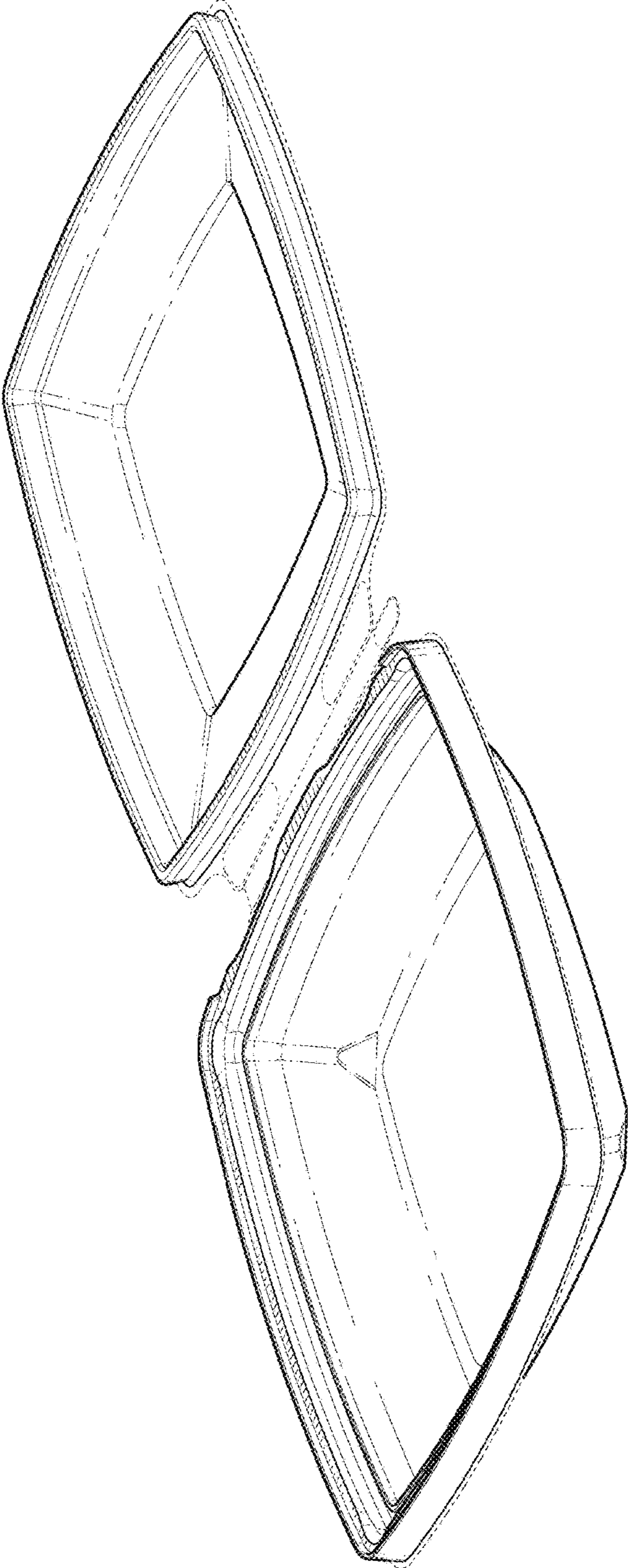


FIG. 1

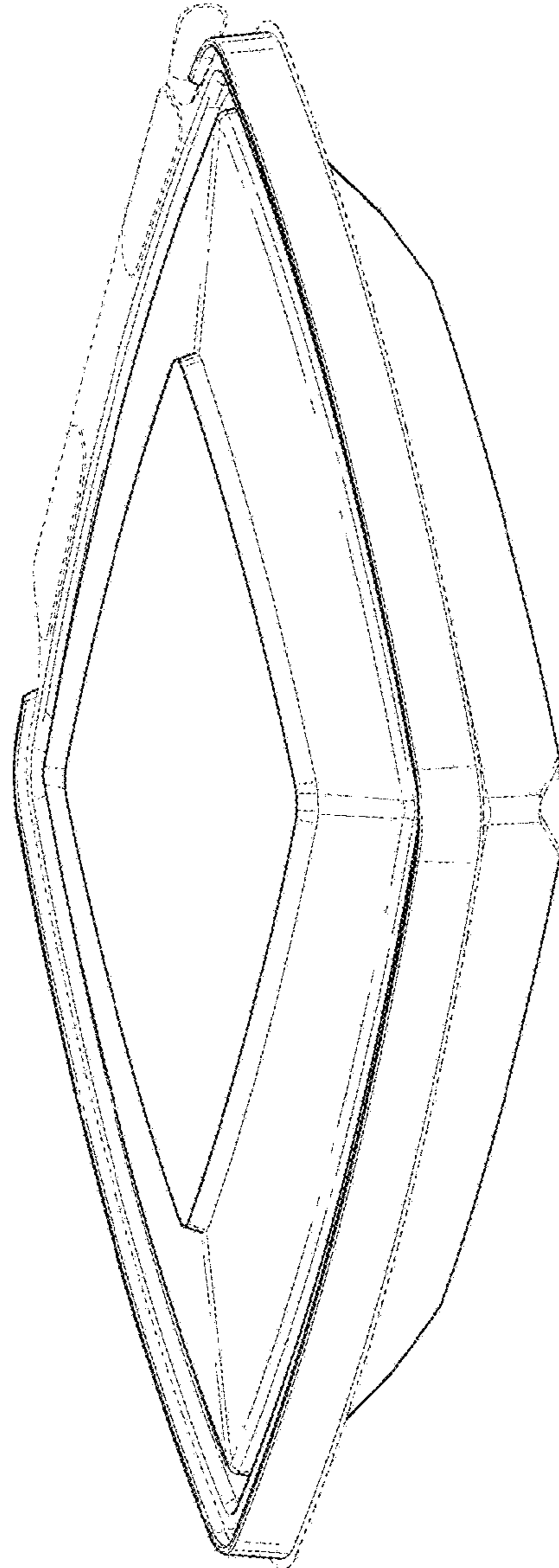


FIG. 2

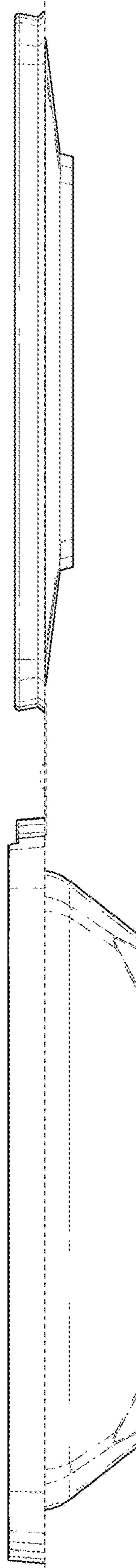


FIG. 3

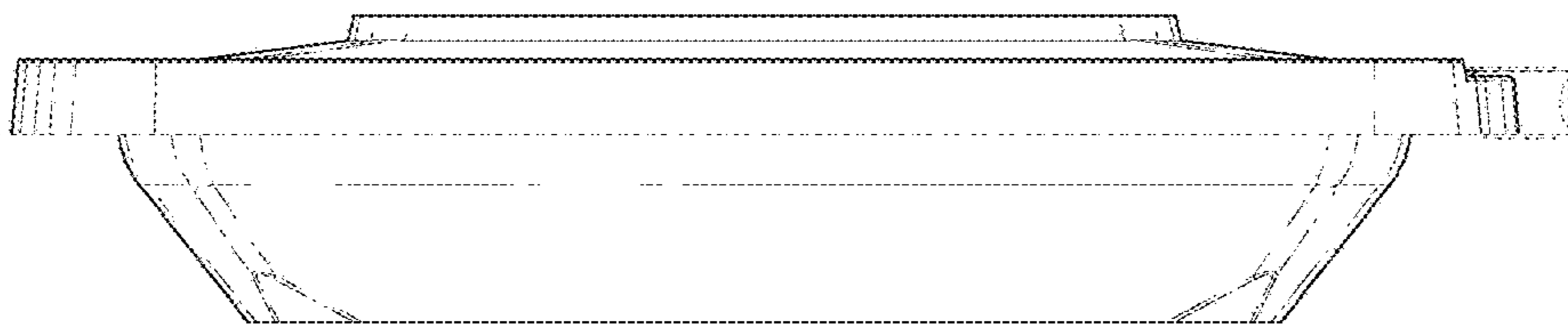


FIG. 4

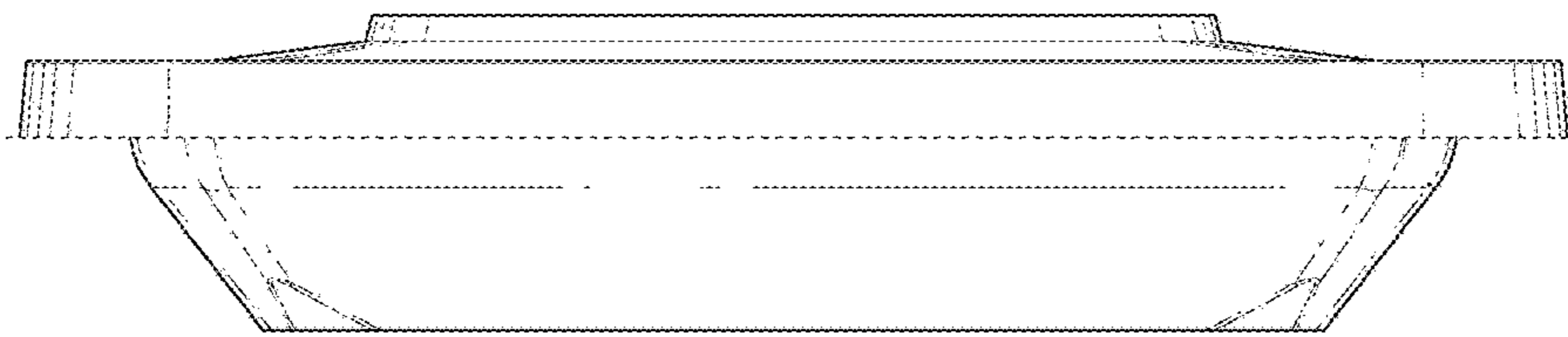


FIG. 5

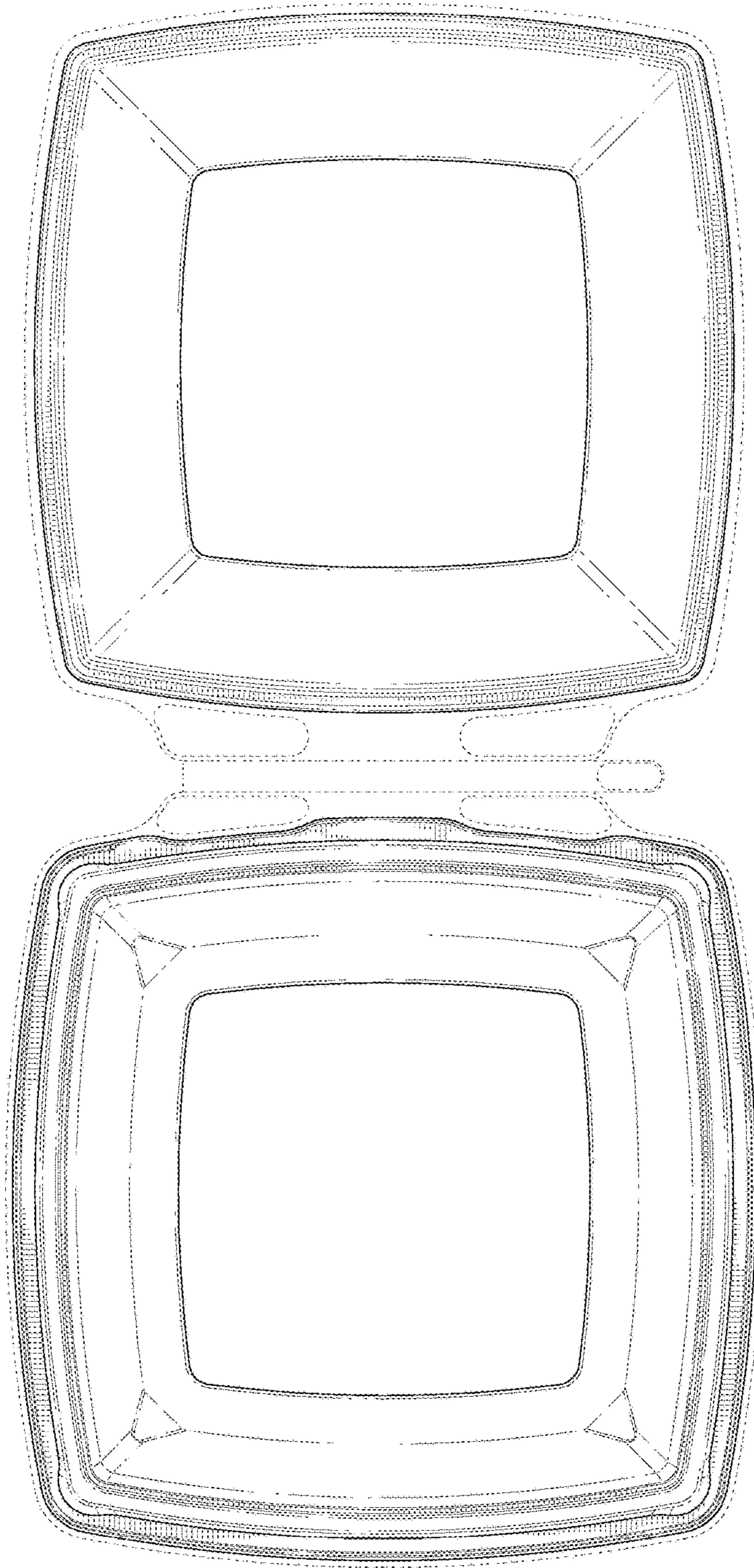


FIG. 6

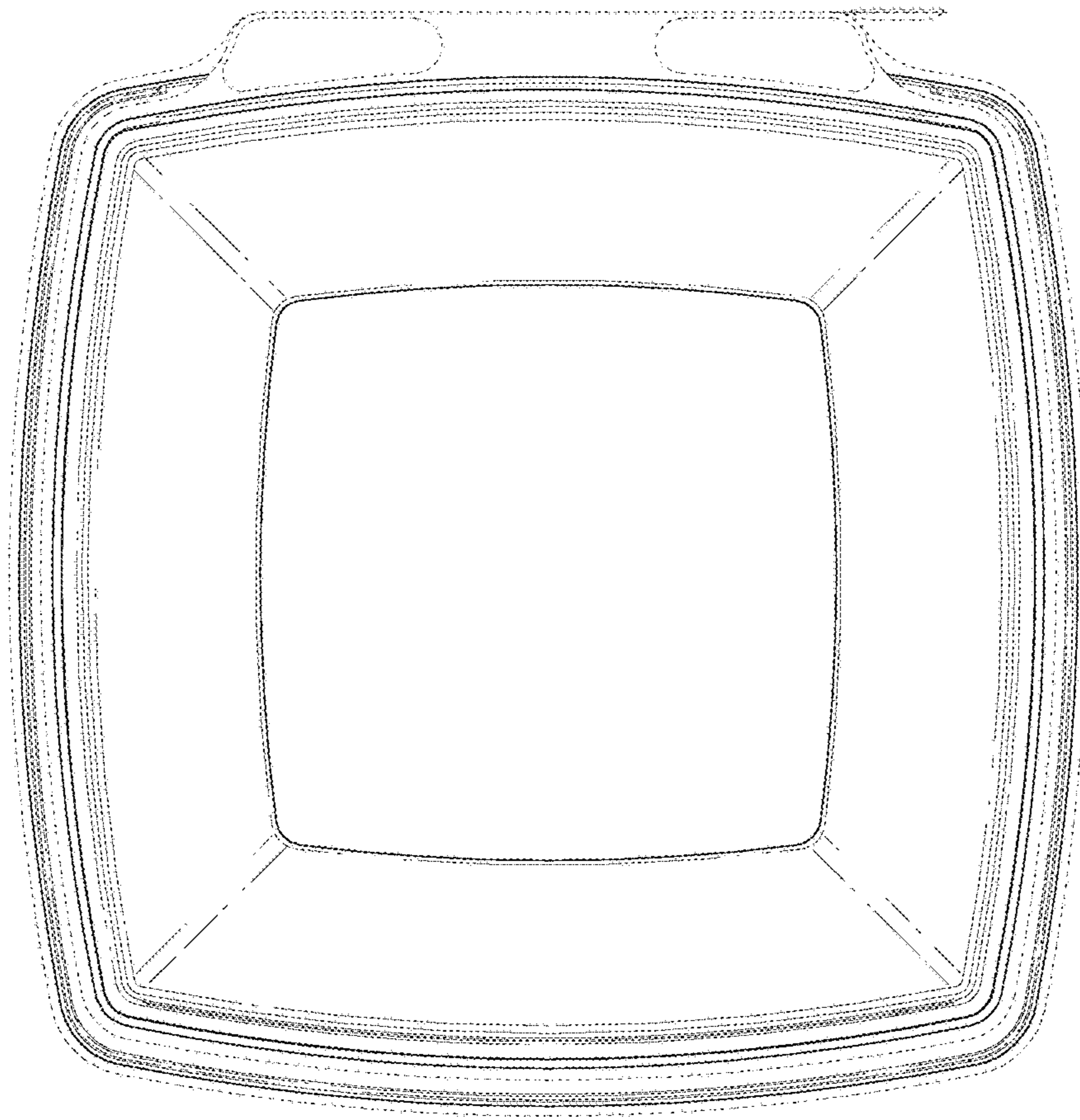


FIG. 7

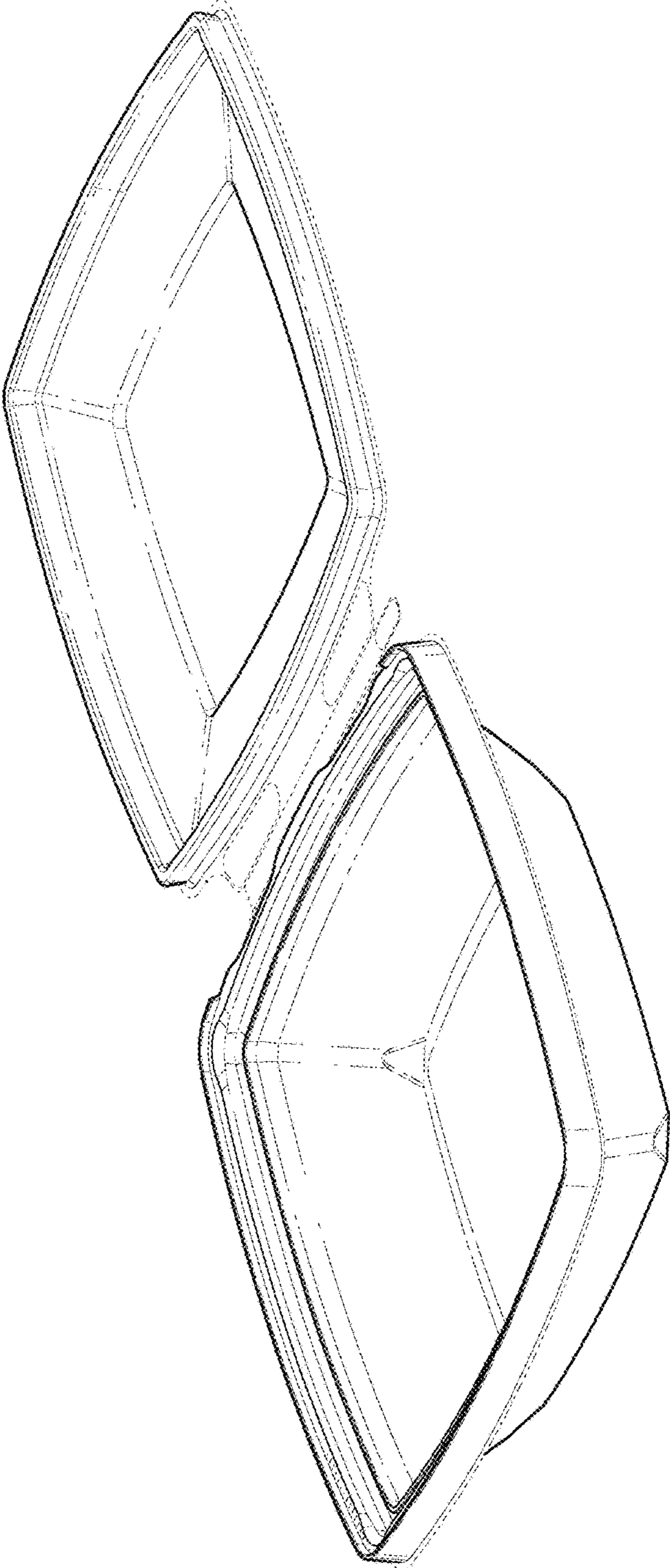


FIG. 8

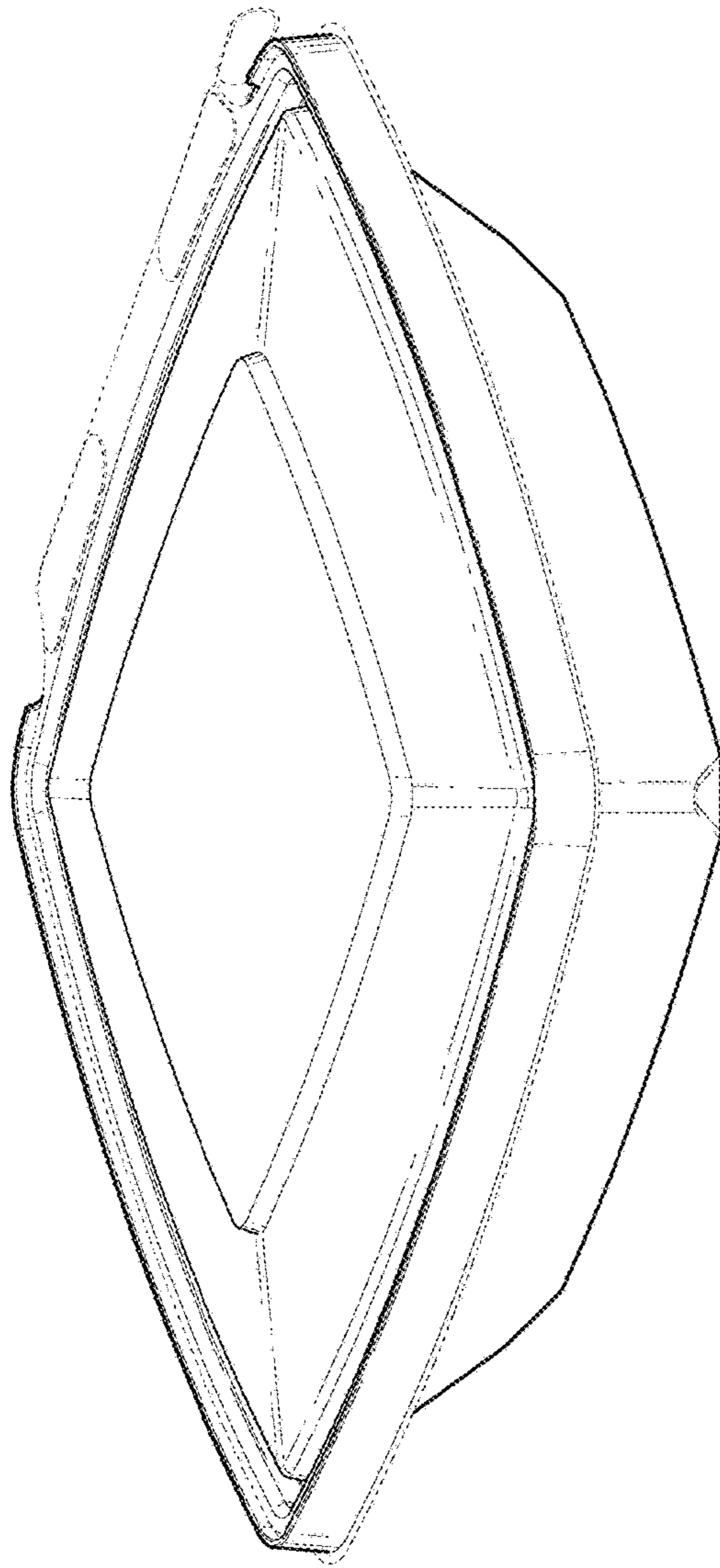


FIG. 9

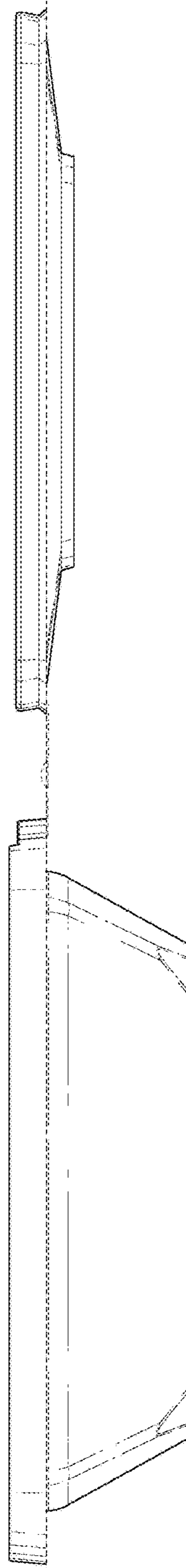


FIG. 10

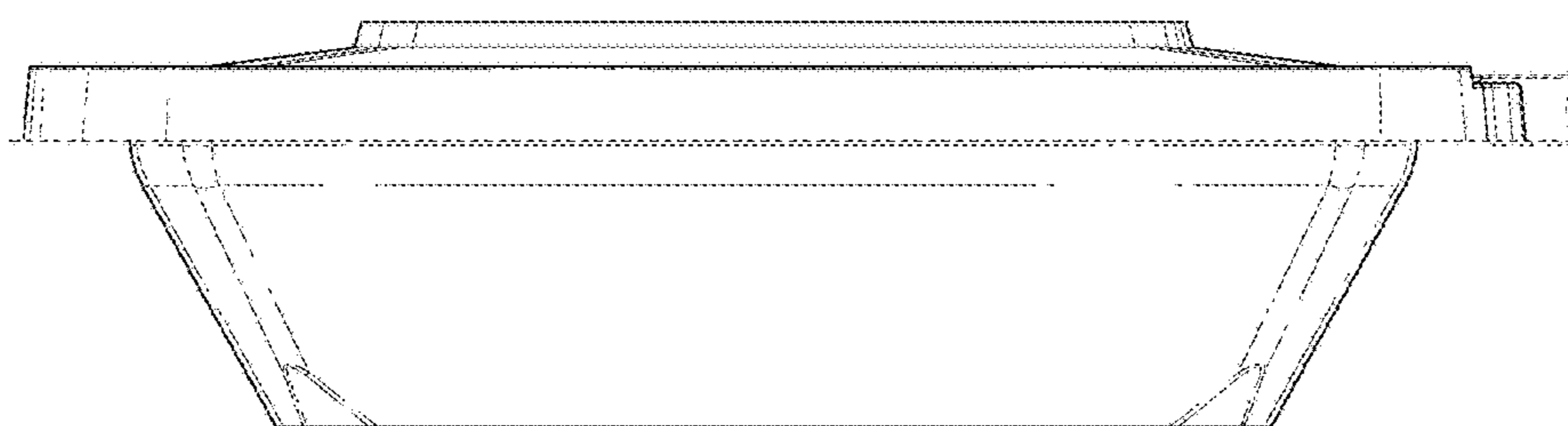


FIG. 11

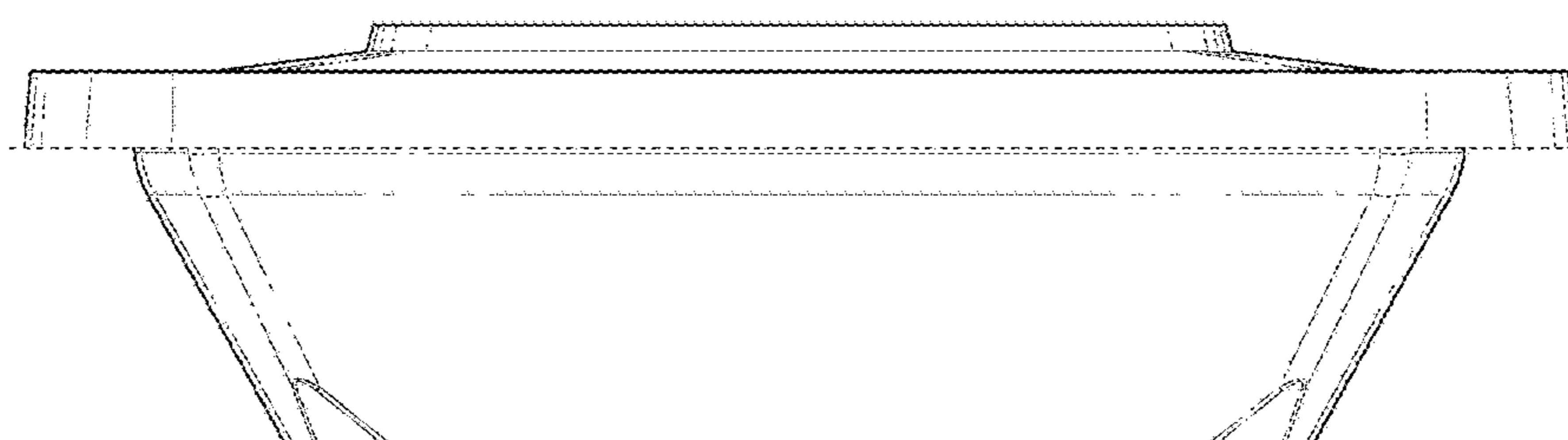


FIG. 12

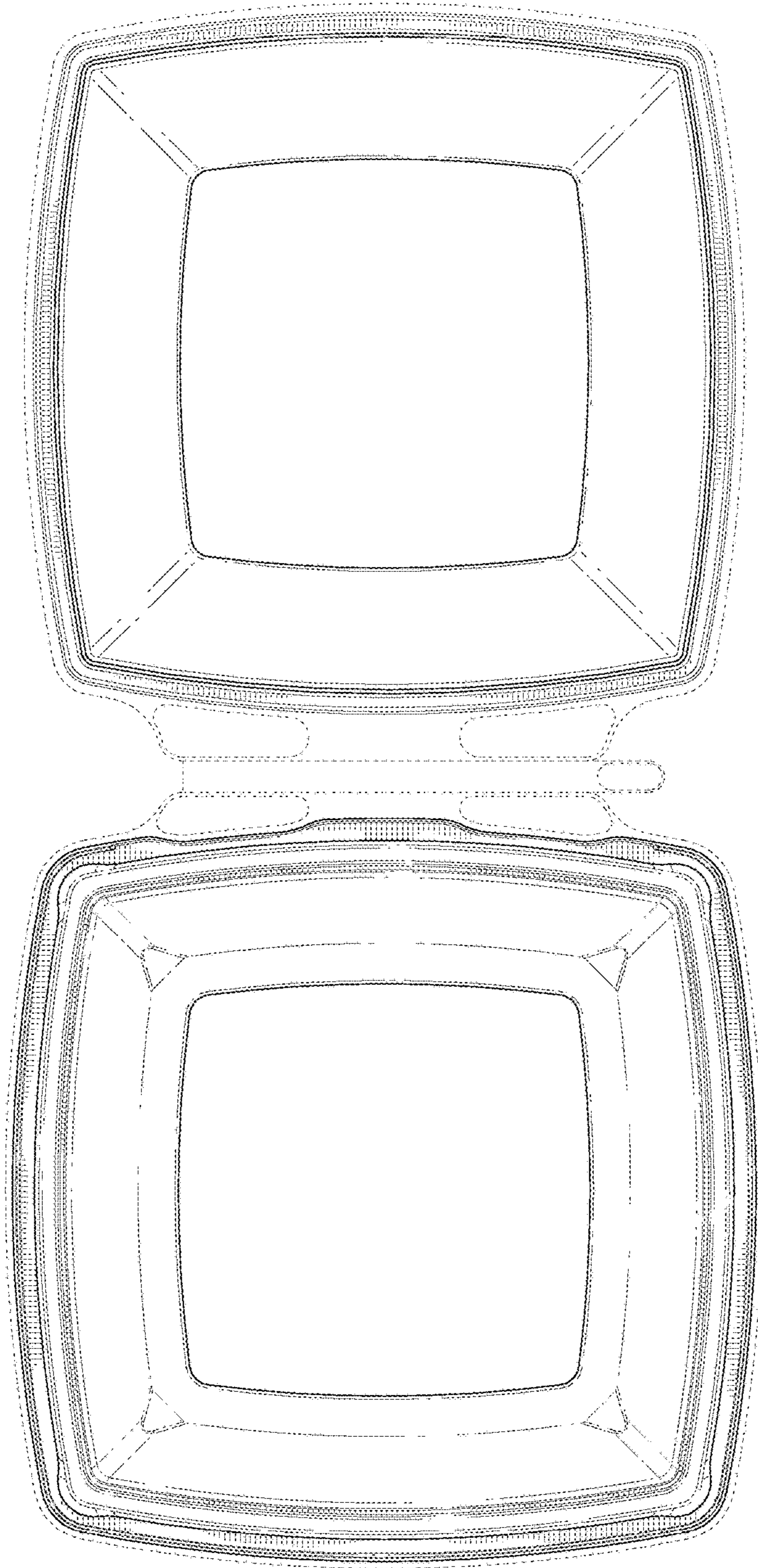


FIG. 13

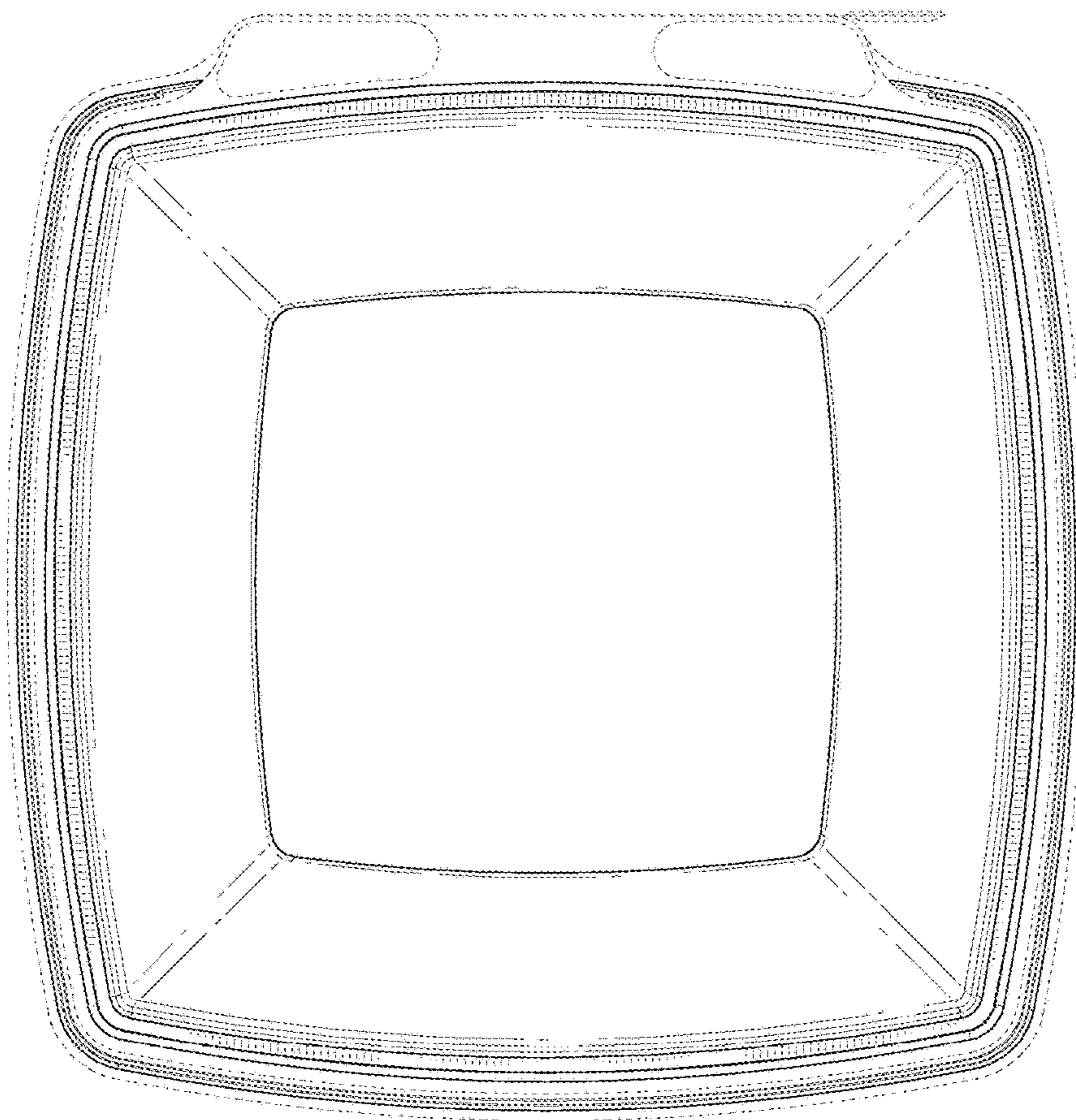


FIG. 14

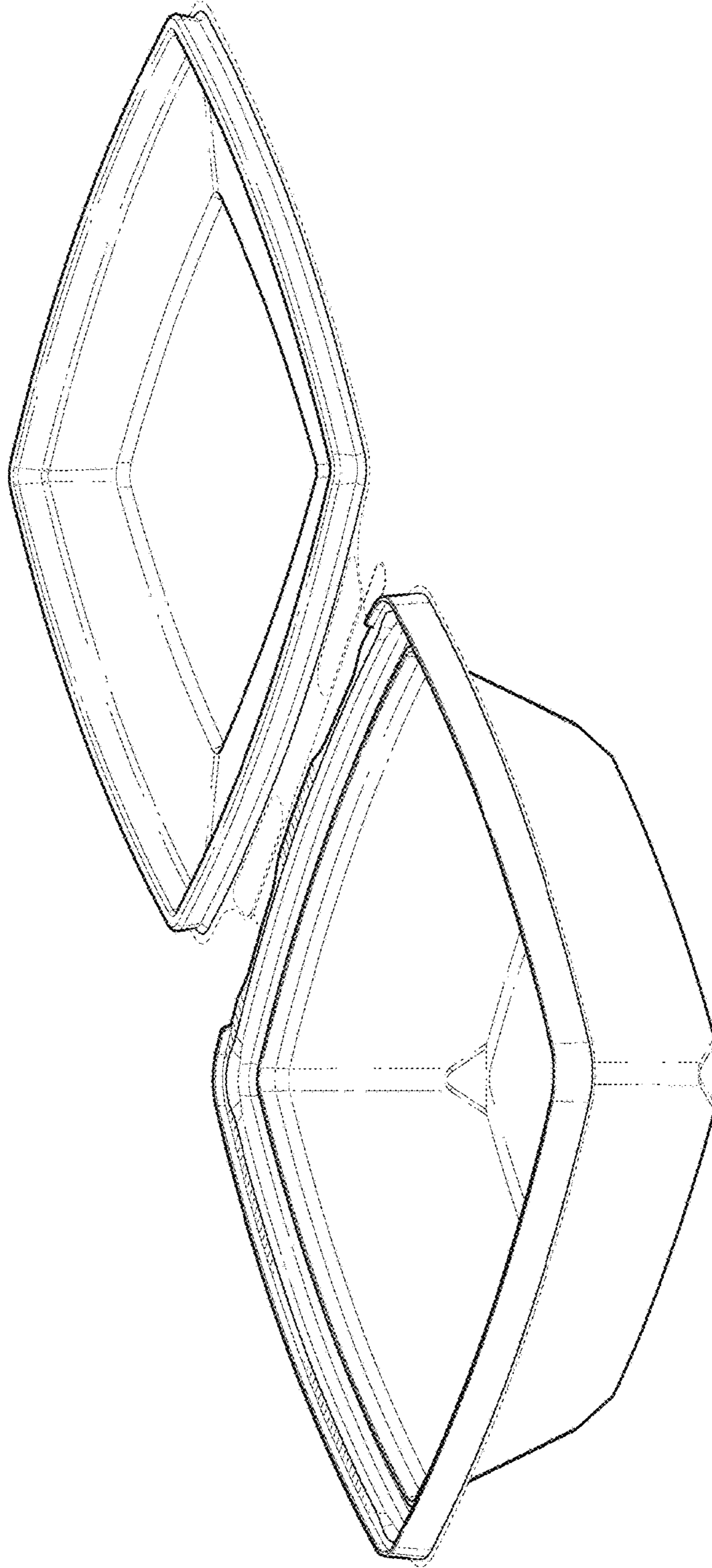


FIG. 15

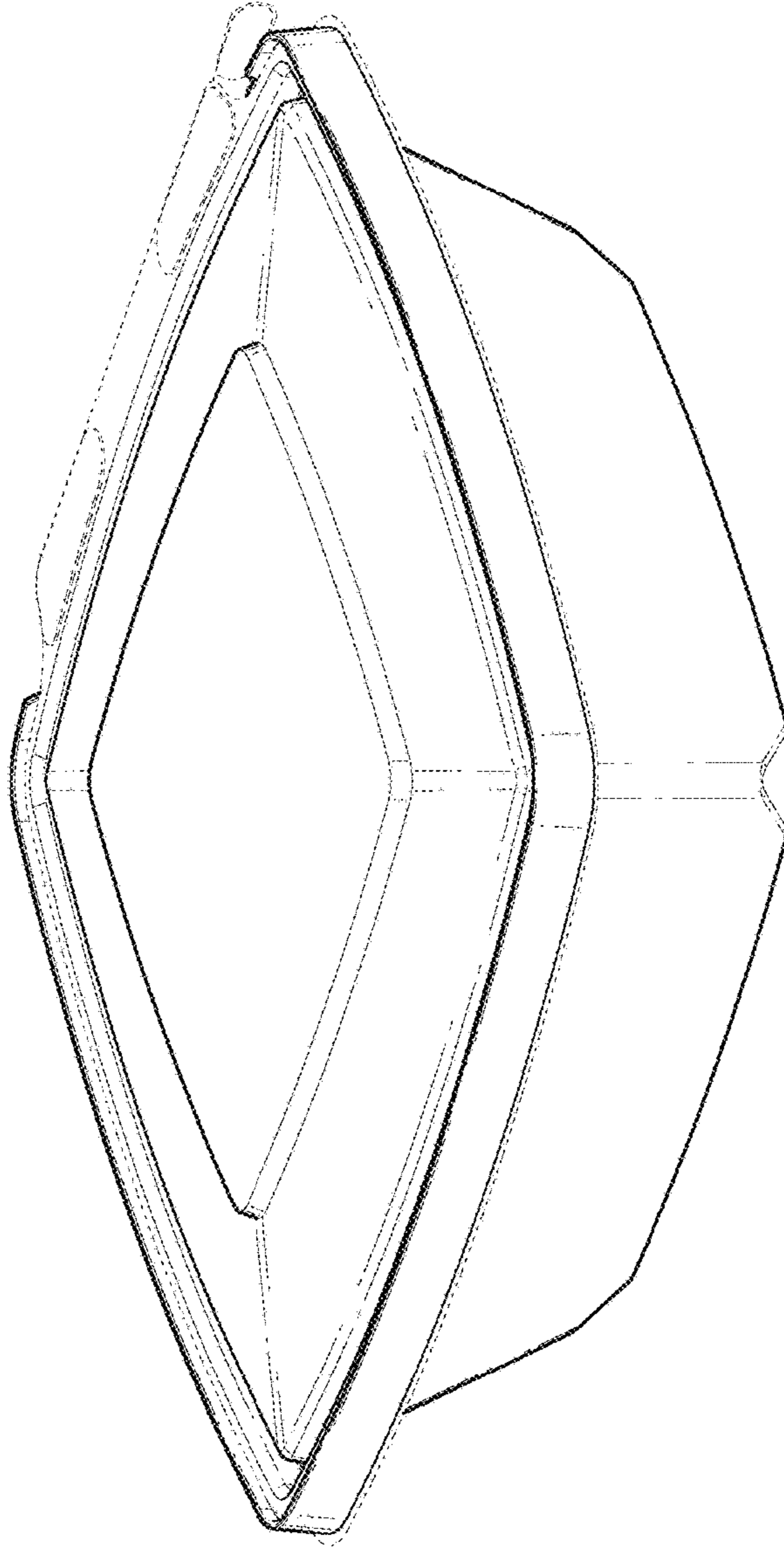


FIG. 16

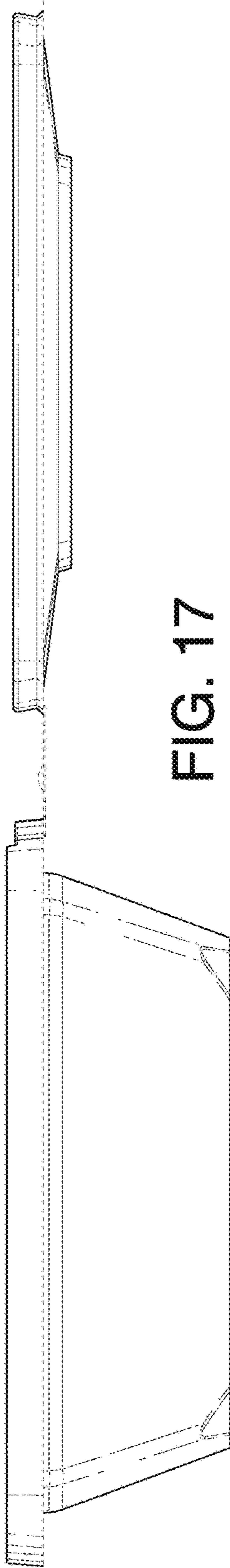


FIG. 17

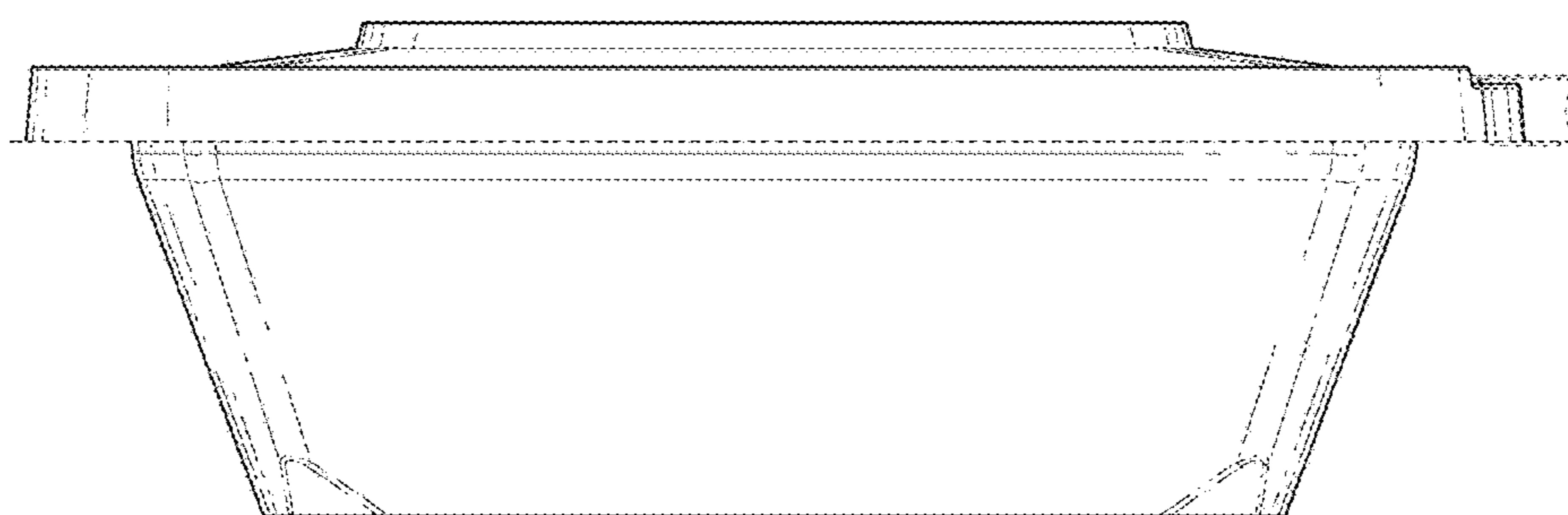


FIG. 18

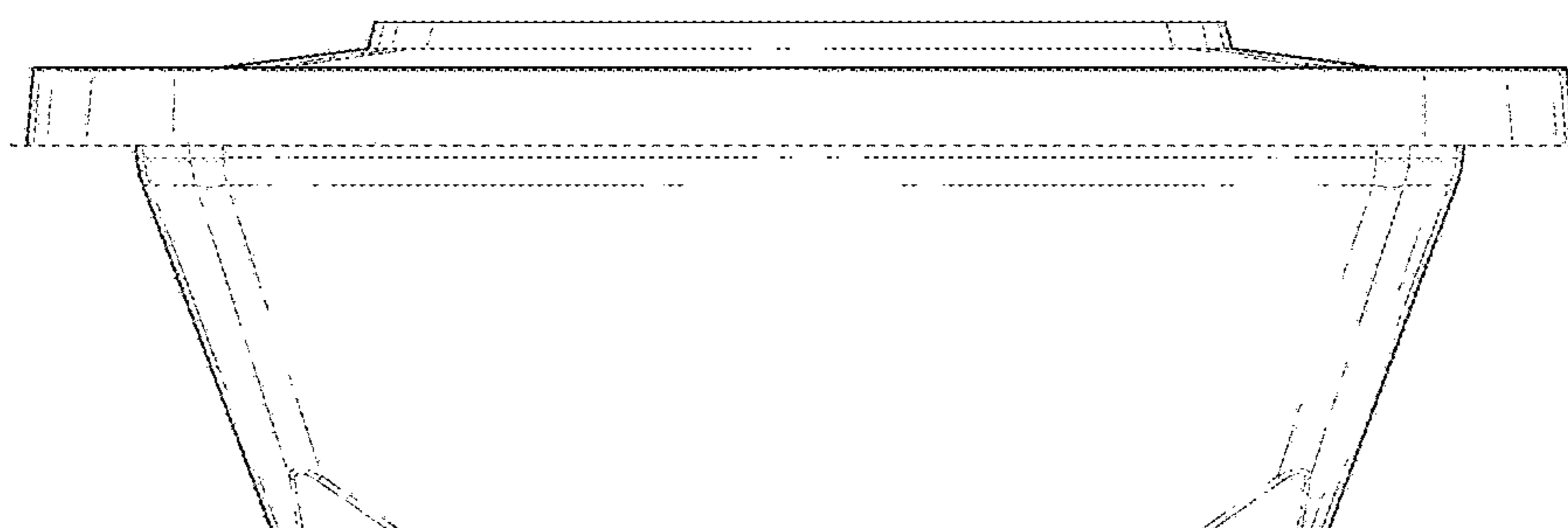


FIG. 19

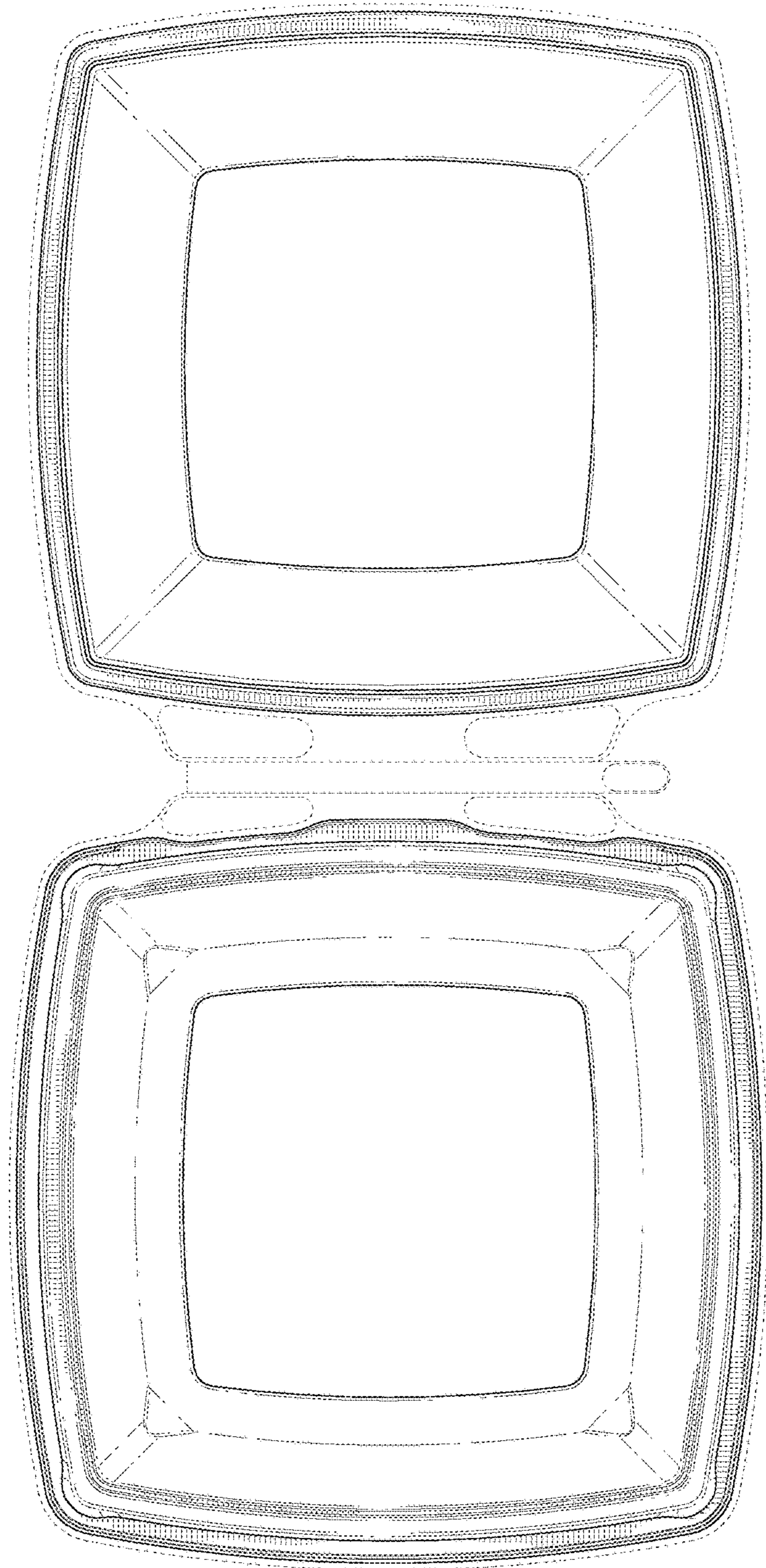


FIG. 20

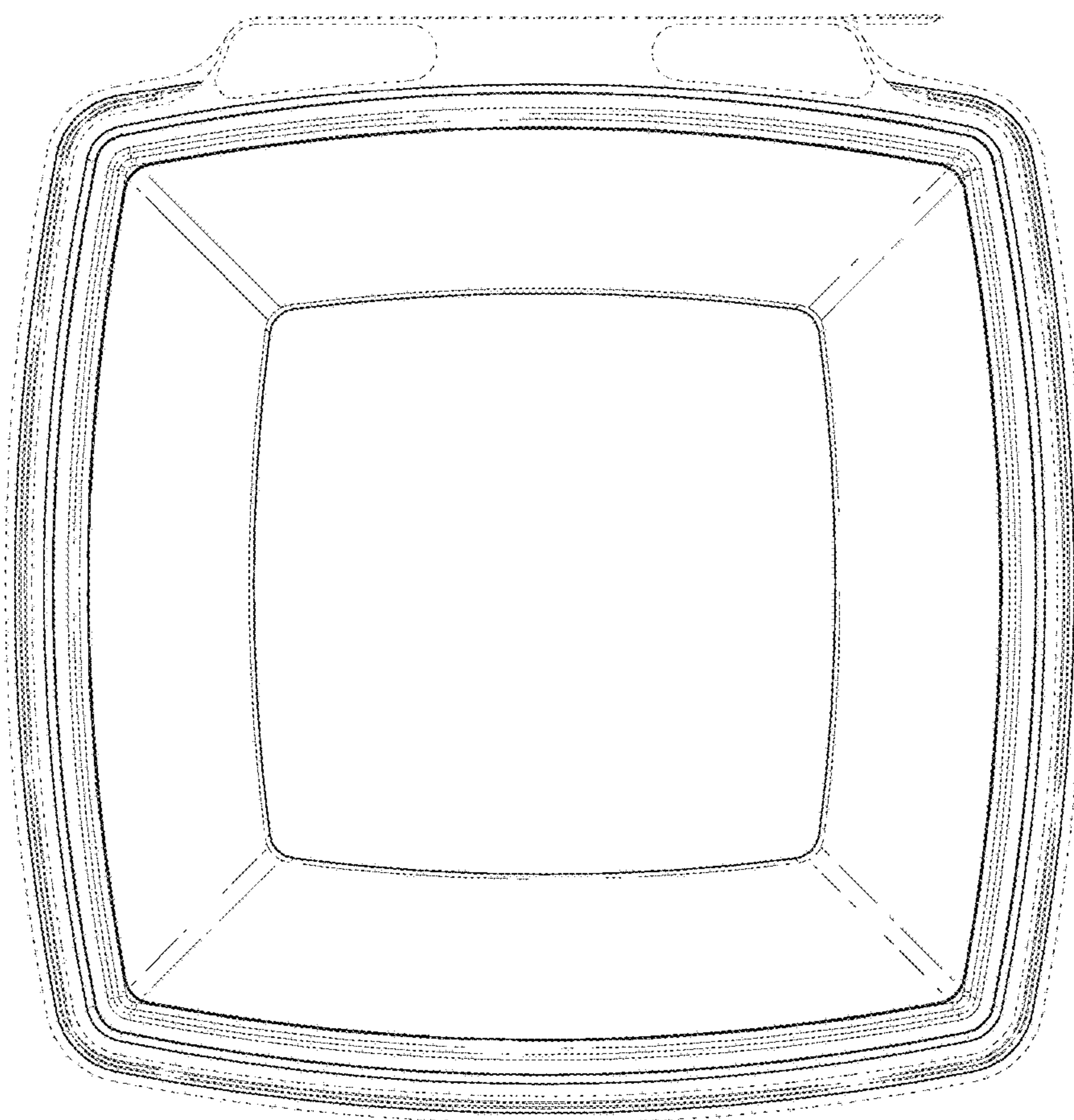


FIG. 21

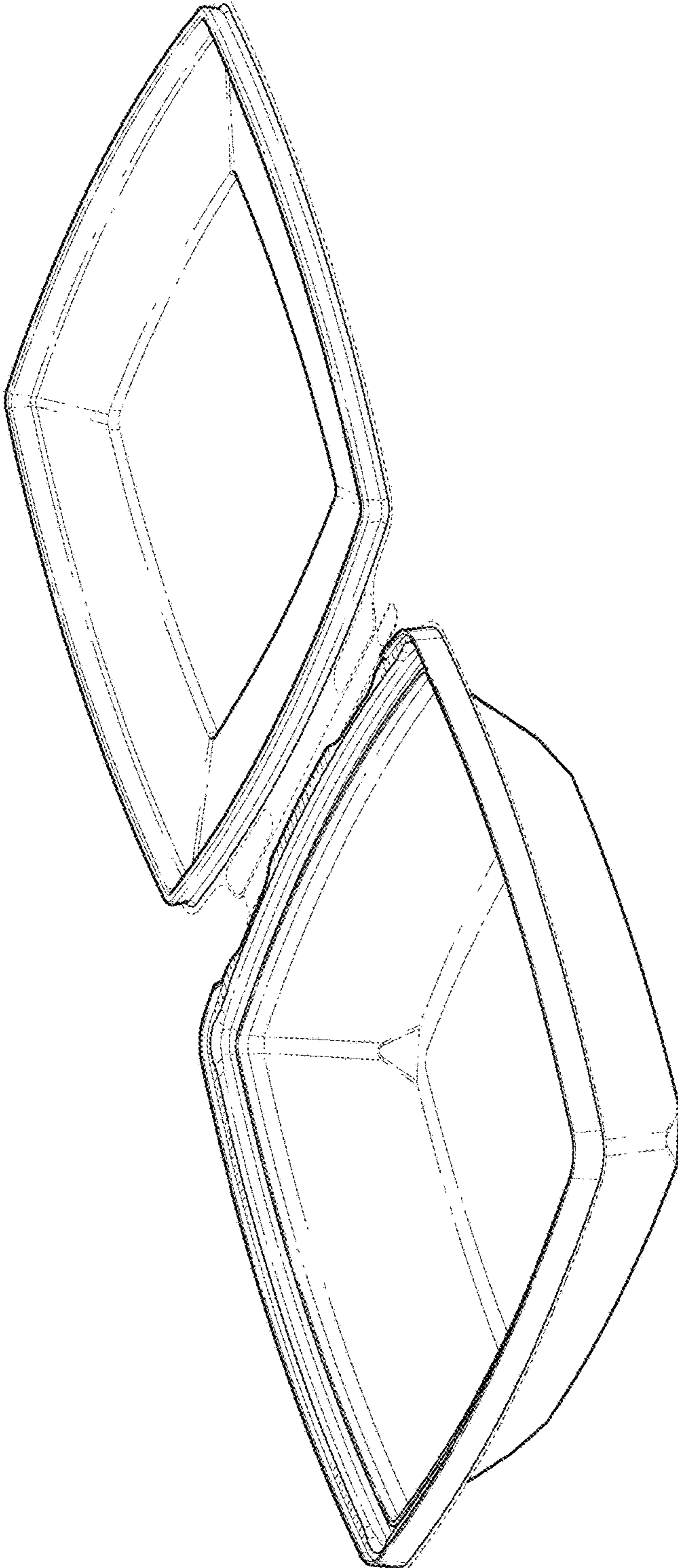


FIG. 22

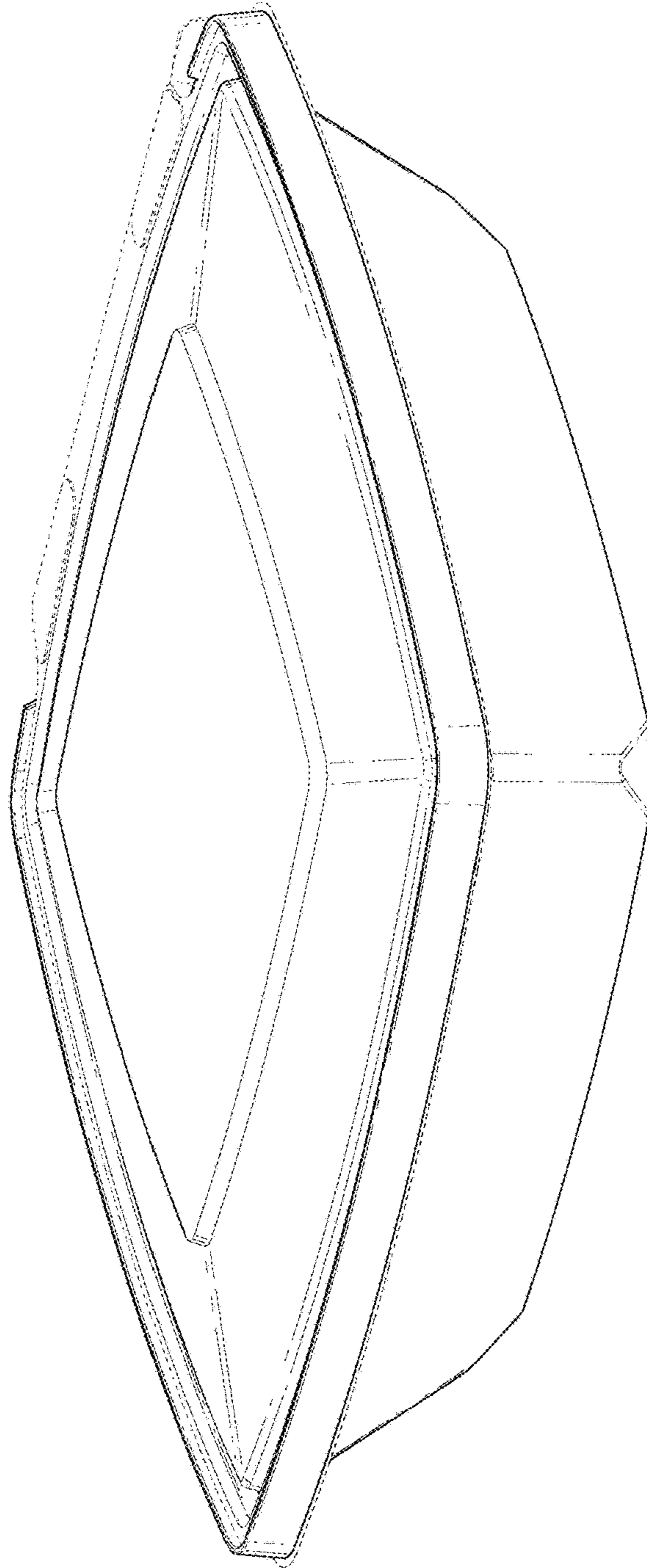


FIG. 23

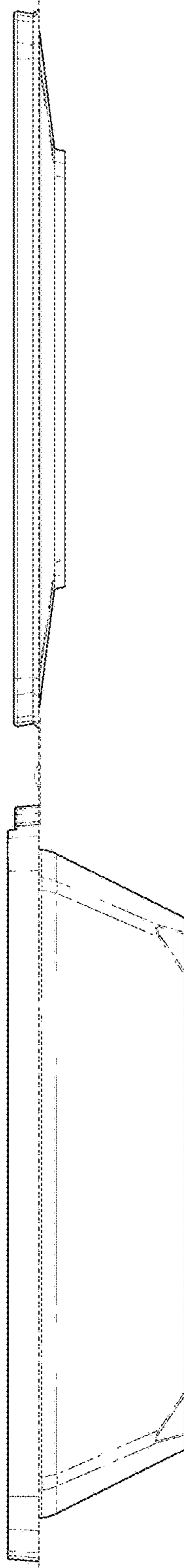


FIG. 24

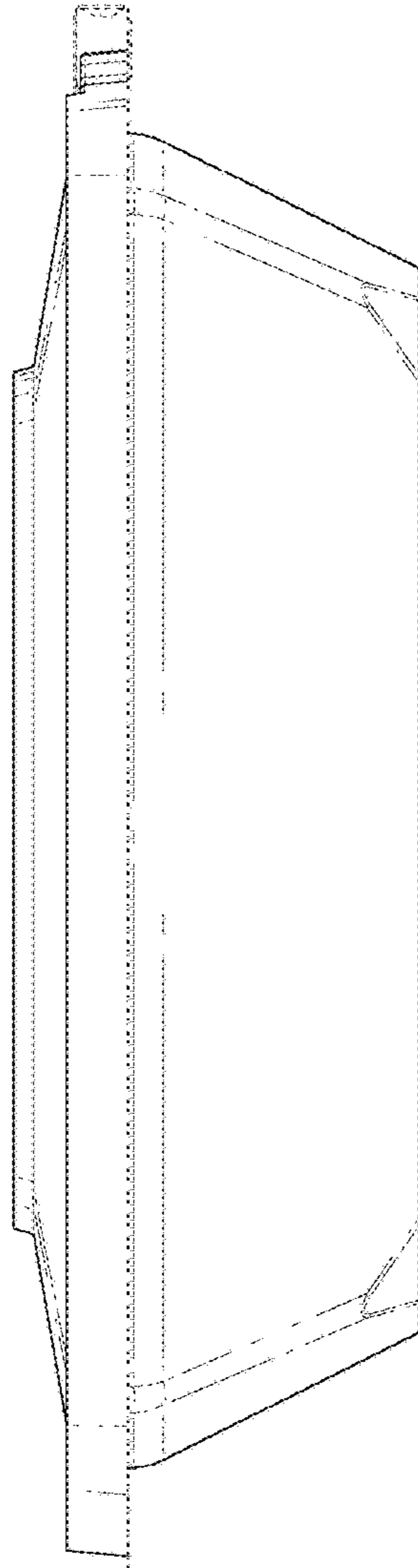


FIG. 25

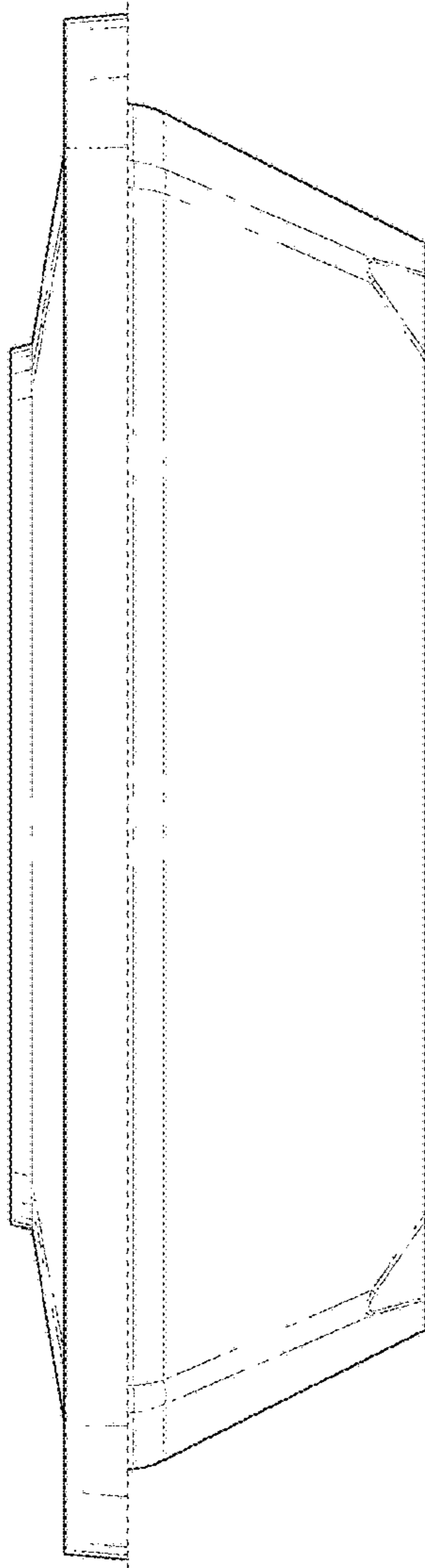


FIG. 26

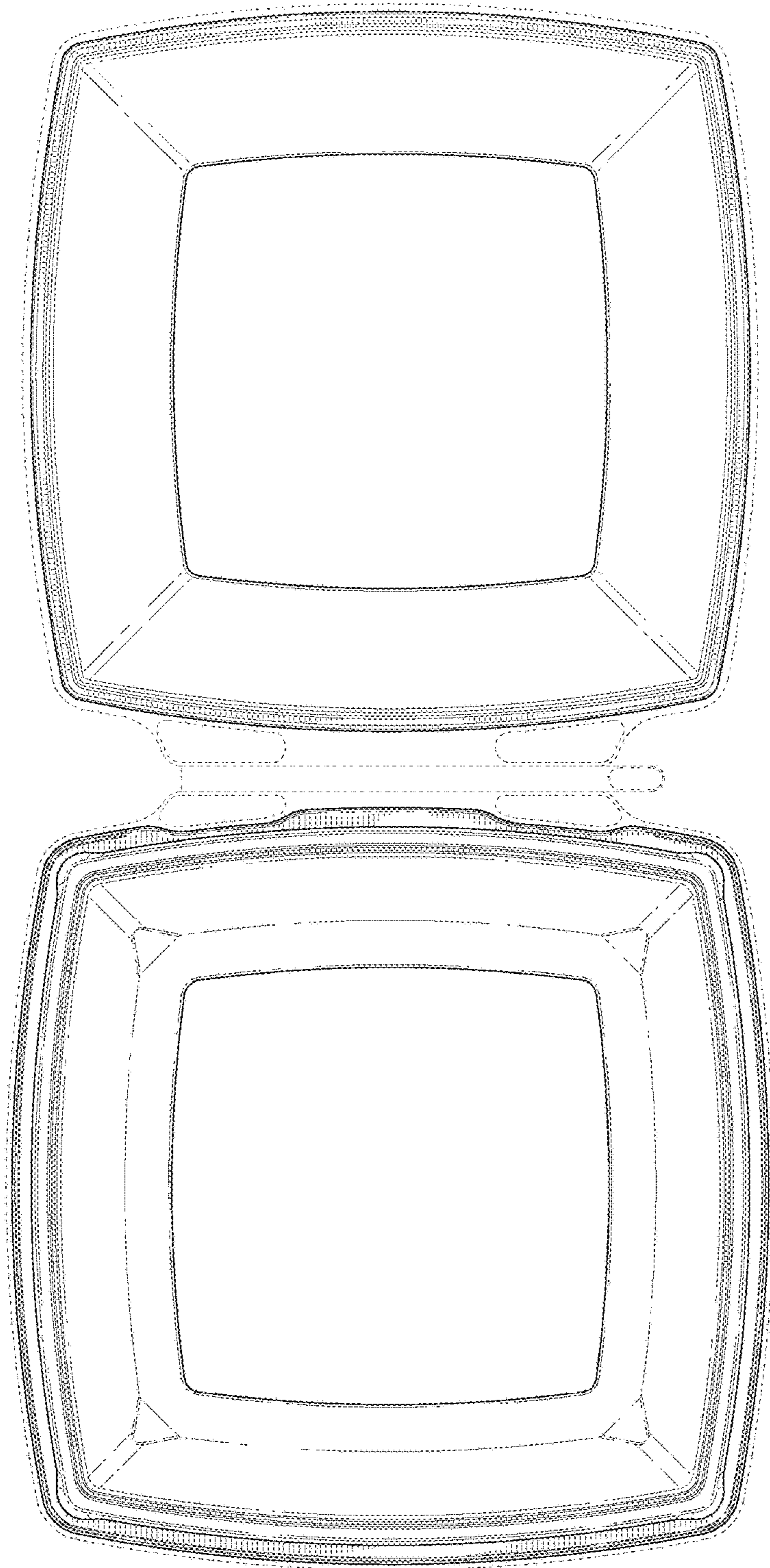


FIG. 27

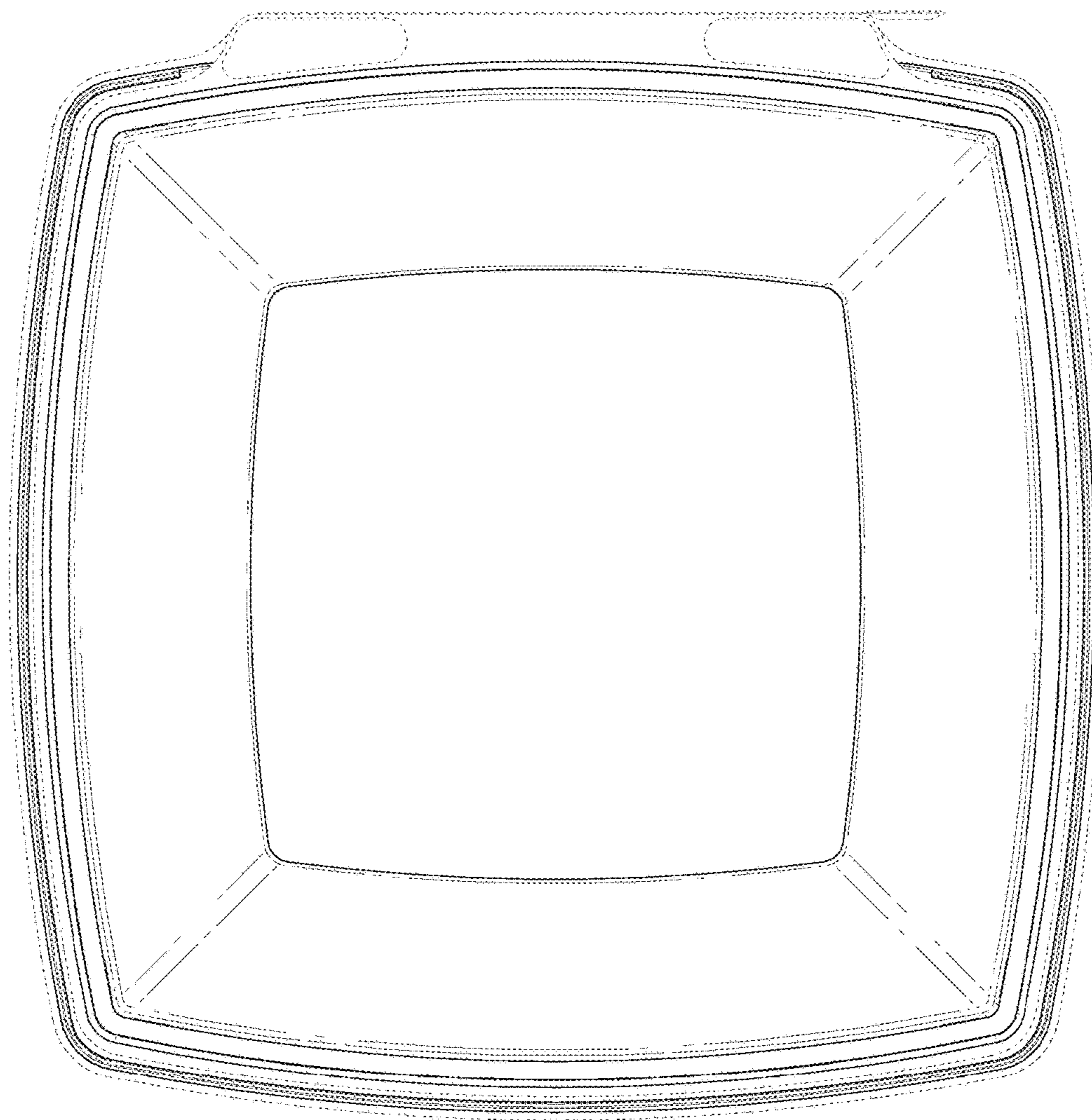


FIG. 28

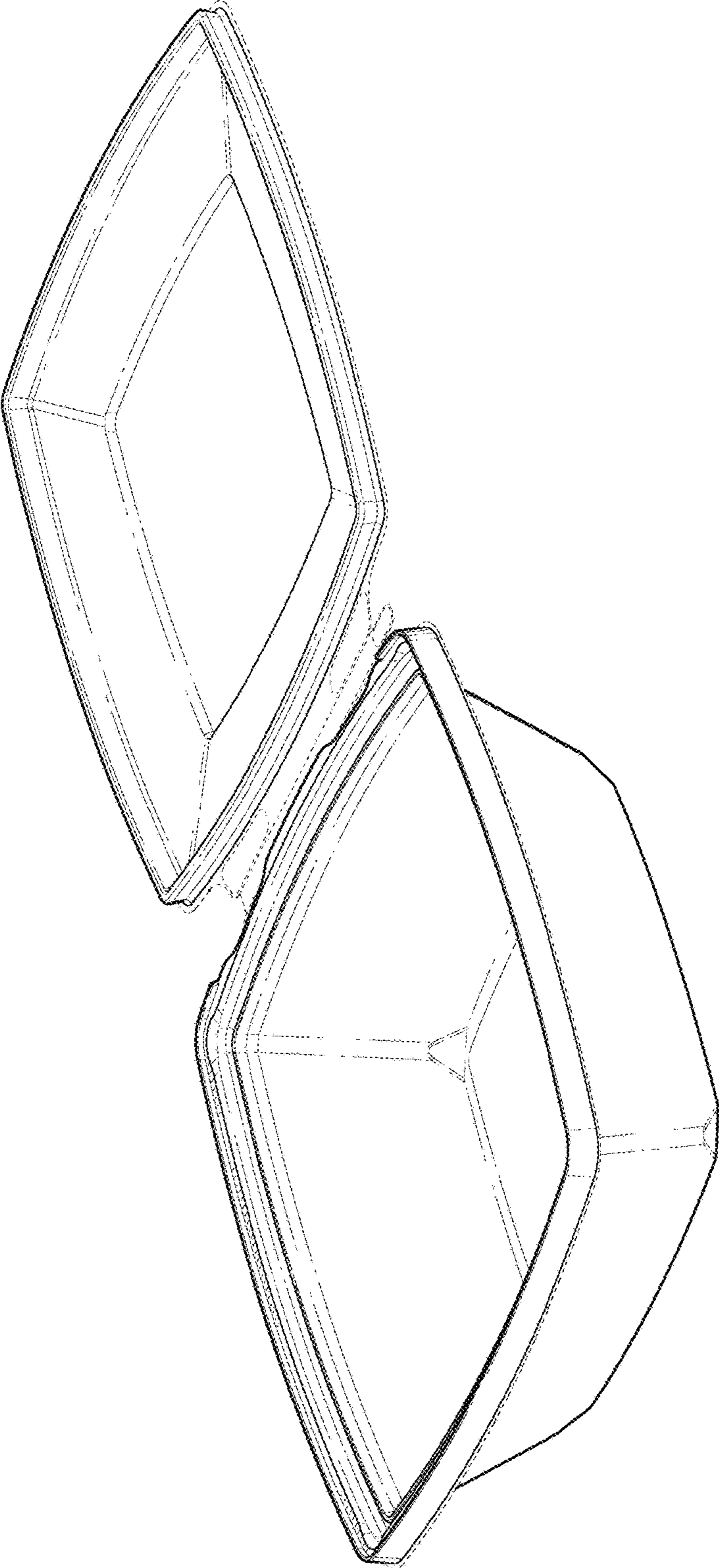


FIG. 29

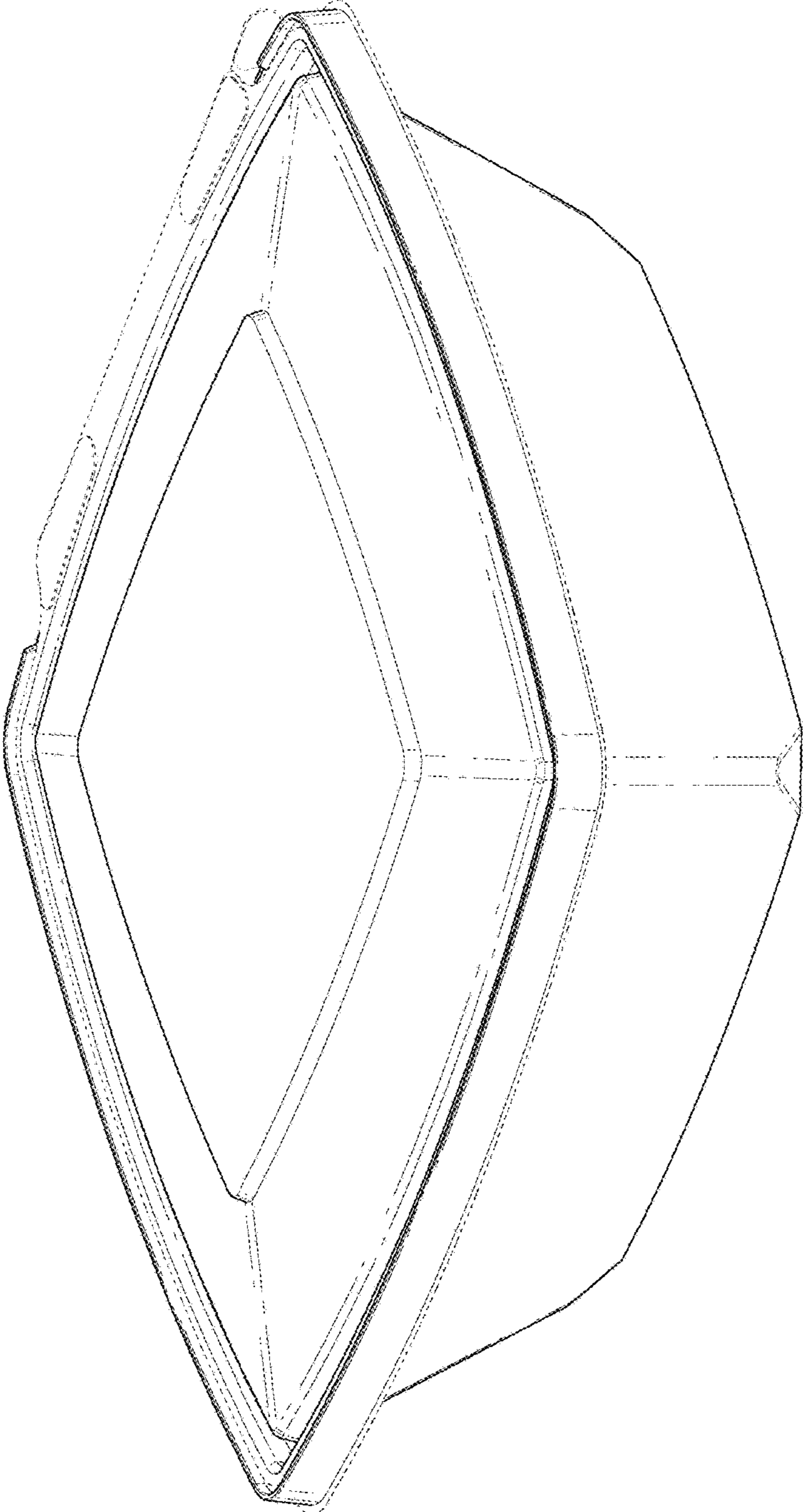


FIG. 30

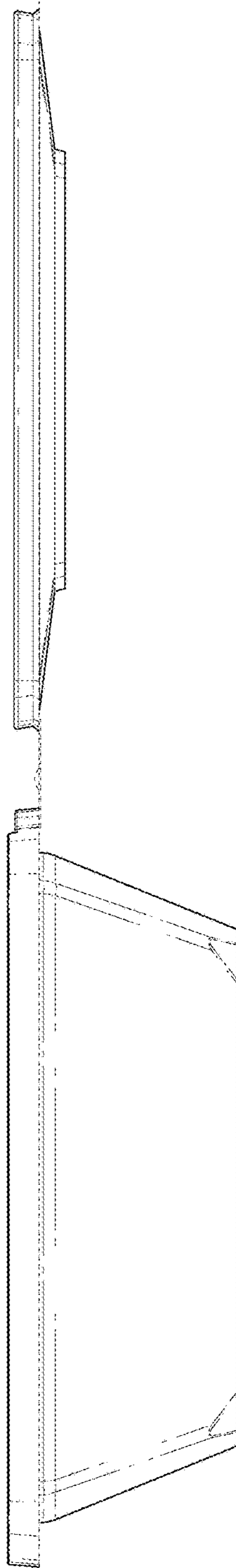


FIG. 31

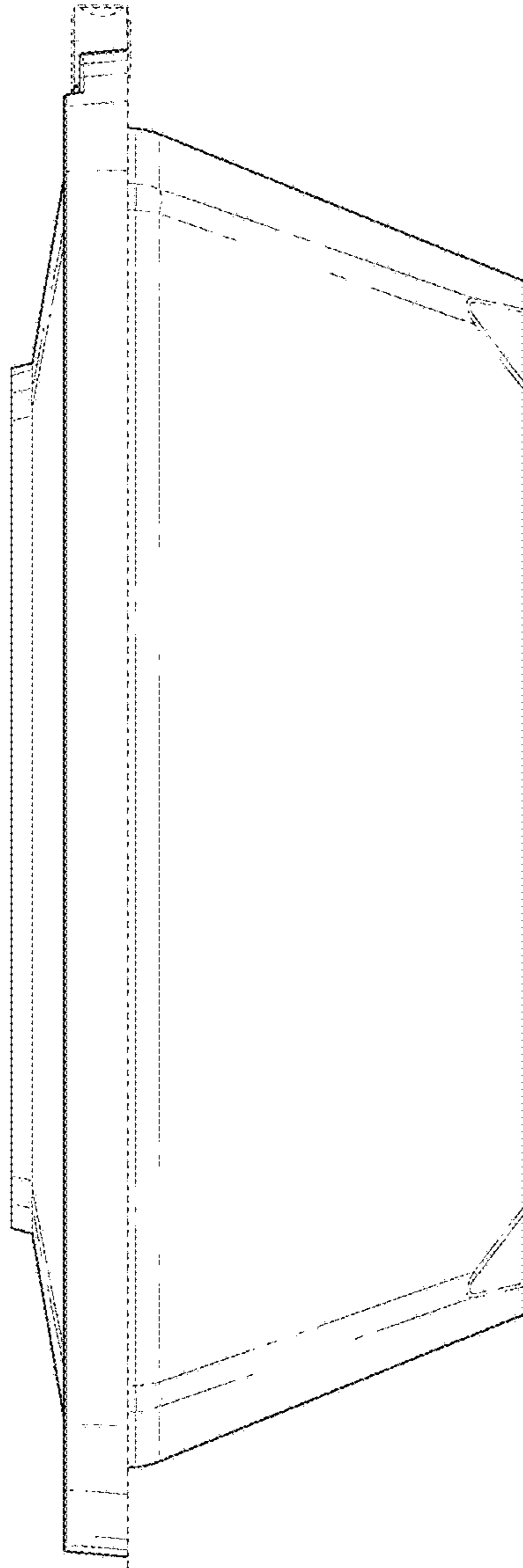


FIG. 32

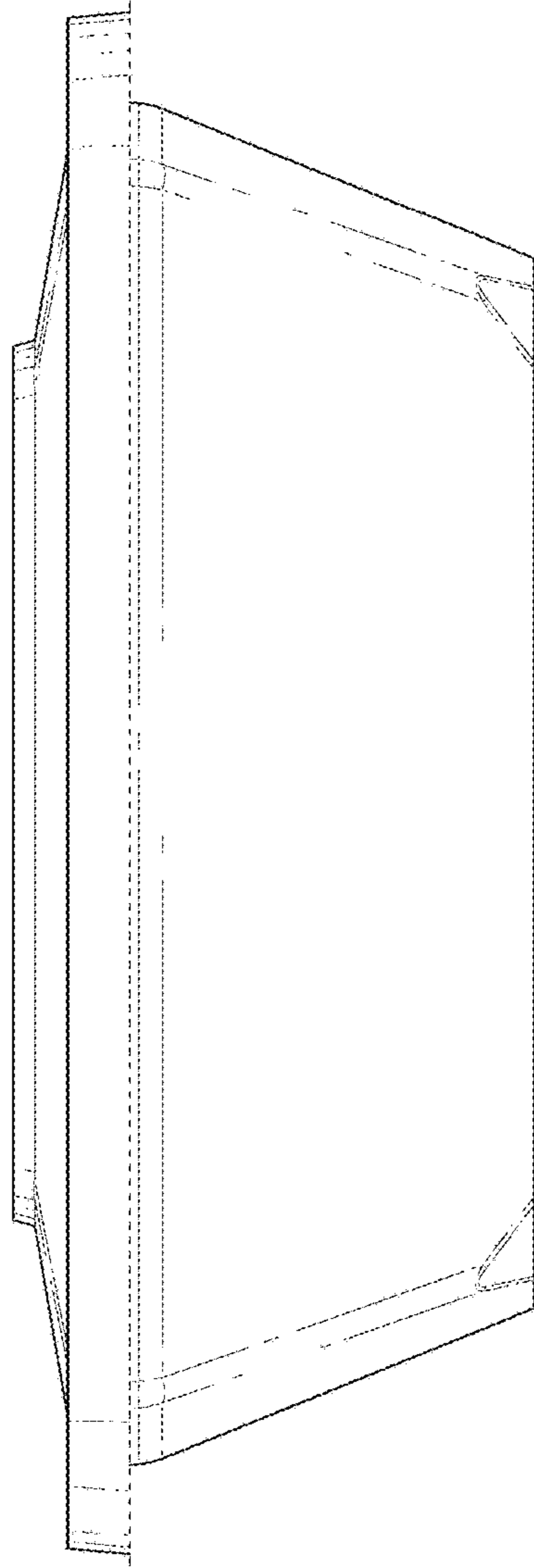


FIG. 33

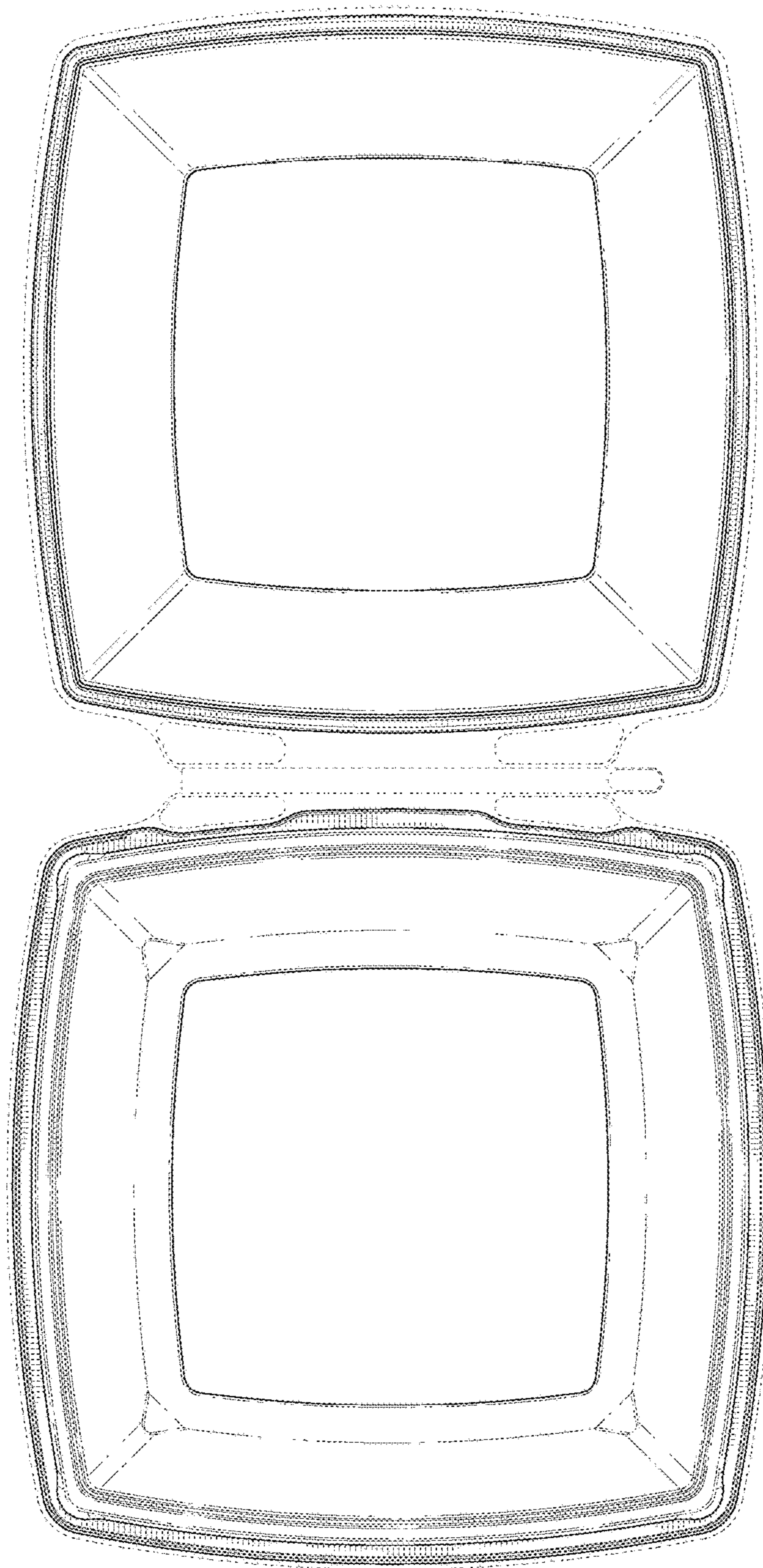


FIG. 34

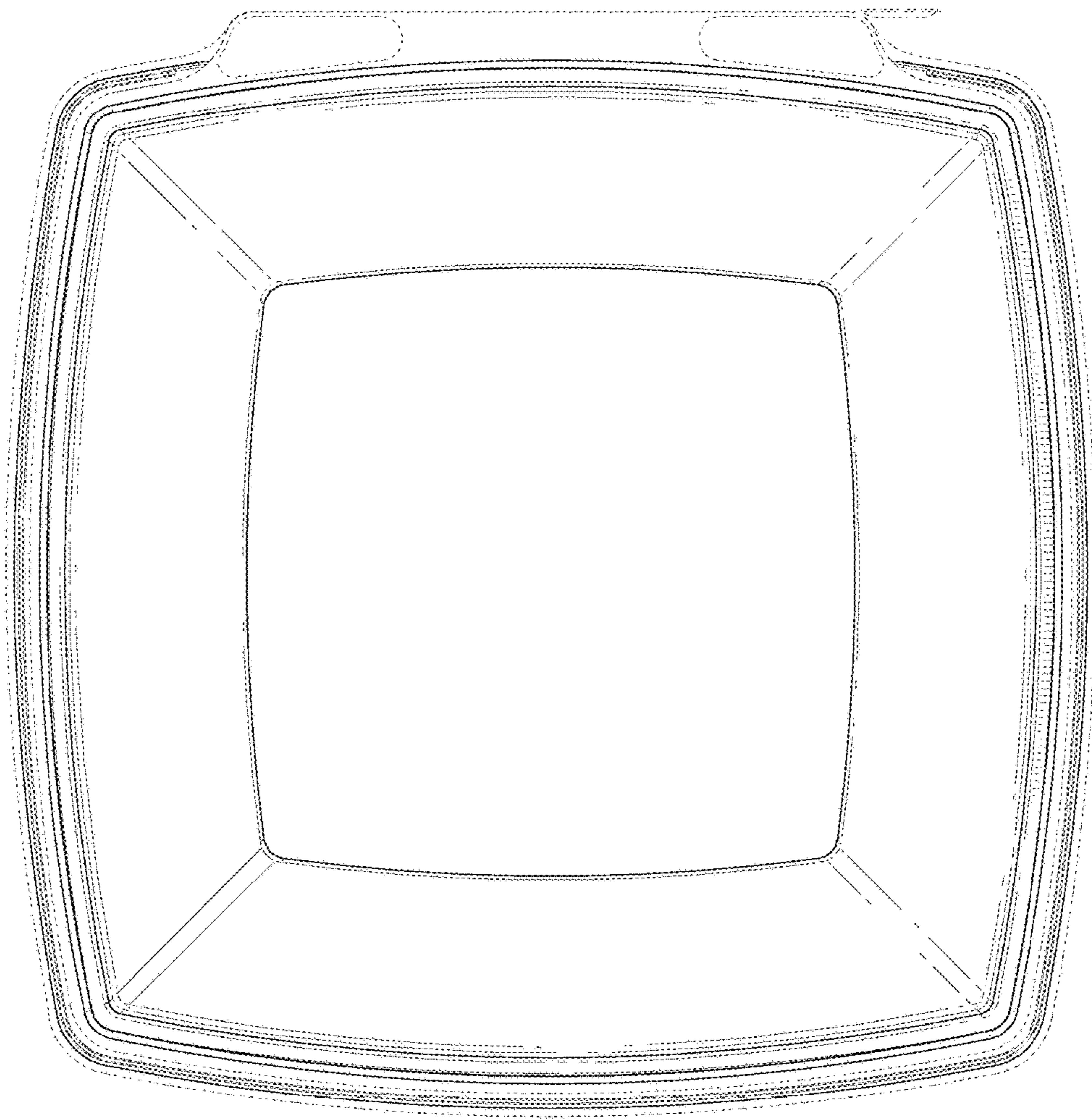


FIG. 35