



US00D850248S

(12) **United States Design Patent** (10) **Patent No.:** **US D850,248 S**
Byerly et al. (45) **Date of Patent:** **** Jun. 4, 2019**

(54) **HOSE SUPPORT BRACKET COLLAR**
(71) Applicant: **NORDSON CORPORATION**,
Westlake, OH (US)
(72) Inventors: **David J. Byerly**, Lawrenceville, GA
(US); **Justin A. Clark**, Suwanee, GA
(US); **Duane J. Fisher**, Cumming, GA
(US)
(73) Assignee: **Nordson Corporation**, Westlake, OH
(US)
(**) Term: **15 Years**

D344,672 S * 3/1994 Current D8/373
5,354,021 A * 10/1994 Farrell F16L 3/233
D8/396
D414,405 S * 9/1999 Tompkins D8/396
D424,922 S * 5/2000 Sherman D8/395
D427,052 S * 6/2000 Nagato D8/396
D436,028 S * 1/2001 Wagner D8/396
D438,783 S * 3/2001 Elliott F16L 23/10
D8/396
D473,129 S 4/2003 Warner et al.
D475,612 S * 6/2003 Wagner D8/396
D536,607 S * 2/2007 Bekkevold D8/396
D537,334 S * 2/2007 Lee D8/396
D540,158 S * 4/2007 Smith D8/396
D546,666 S * 7/2007 Mohlin D8/396
D550,075 S * 9/2007 Tung D8/396

(Continued)

(21) Appl. No.: **29/613,641**
(22) Filed: **Aug. 11, 2017**

Primary Examiner — Cynthia Ramirez
Assistant Examiner — Michael A Maharajh
(74) *Attorney, Agent, or Firm* — Baker & Hostetler LLP

Related U.S. Application Data

(62) Division of application No. 29/536,433, filed on Aug.
17, 2015, now Pat. No. Des. 798,700.
(51) **LOC (11) Cl.** **08-08**
(52) **U.S. Cl.**
USPC **D8/396**
(58) **Field of Classification Search**
USPC D8/396, 349, 394, 395; 248/75, 79, 121,
248/122.1, 125.1, 200, 228.6, 309.1, 313,
248/316.1, 500, 510, 689, 690
CPC F16B 2/08; F16L 3/08
See application file for complete search history.

(57) **CLAIM**

The ornamental design for a hose support bracket collar, as shown and described.

DESCRIPTION

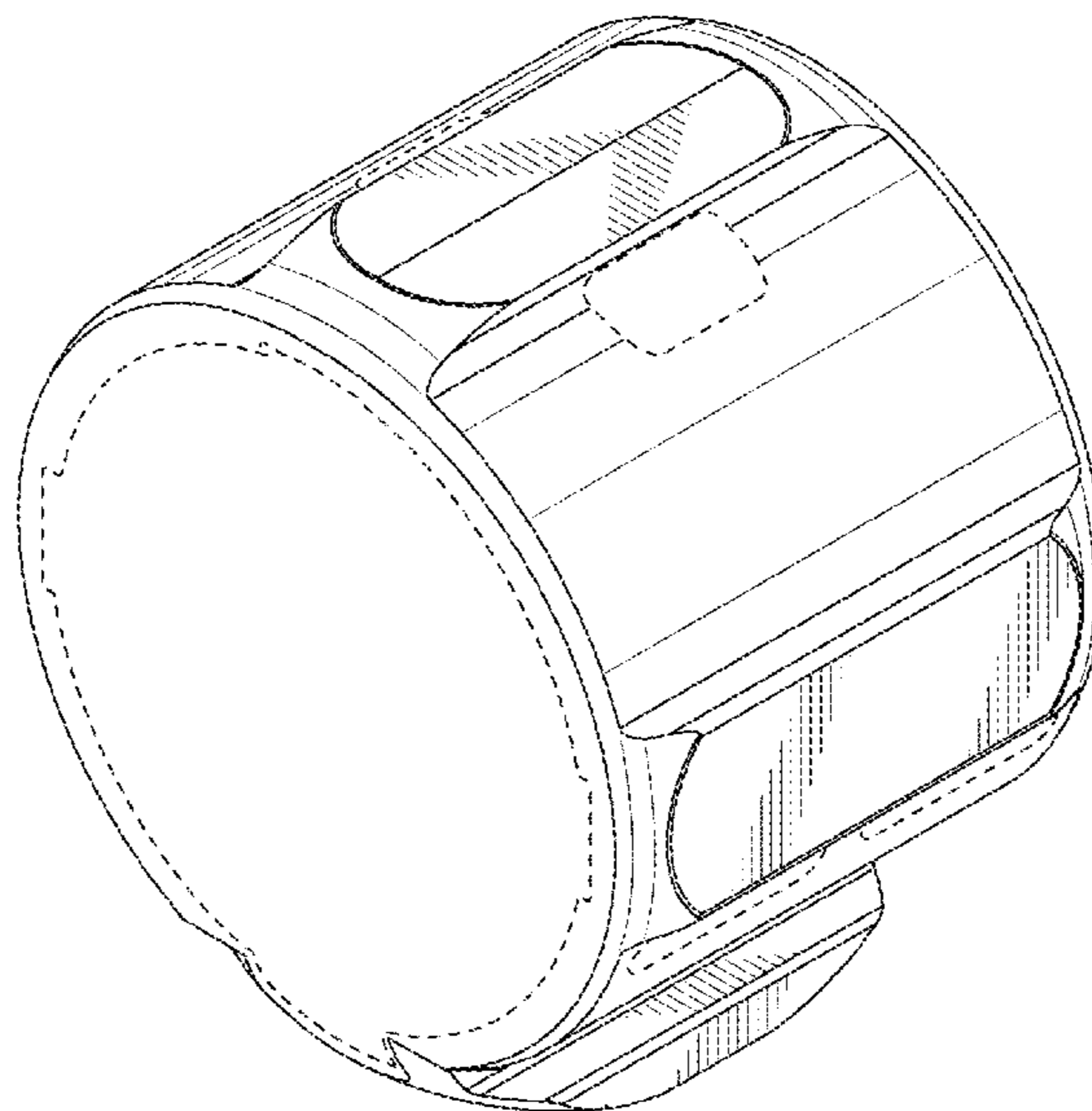
FIG. 1 is a front top isometric view of a hose support bracket collar showing our new design;
FIG. 2 is a rear bottom isometric view of the hose support bracket collar;
FIG. 3 is a front view of the hose support bracket collar, with the rear view being a mirror image thereof;
FIG. 4 is a right side view of the hose support bracket collar, the left side view being a mirror image thereof;
FIG. 5 is a top view of the hose support bracket collar; and,
FIG. 6 is a bottom view of the hose support bracket collar.
The broken lines in the figures are for the purpose of illustrating portions of the hose support bracket collar and form no part of the claimed design.

(56) **References Cited**

U.S. PATENT DOCUMENTS

D276,134 S * 10/1984 Ericsson D8/396
D285,171 S * 8/1986 Russell D8/396
D298,802 S * 12/1988 Tekirian D8/396
D307,541 S * 5/1990 Tres D8/396
D322,026 S * 12/1991 Kanao D8/396

1 Claim, 3 Drawing Sheets



(56)

References Cited

U.S. PATENT DOCUMENTS

D574,228 S	8/2008	Johansson et al.	
D576,870 S	9/2008	Eason et al.	
D577,423 S *	9/2008	Dole	D8/396
D584,604 S *	1/2009	Baldwin	D8/396
D594,318 S *	6/2009	Fell	D8/396
D614,947 S *	5/2010	Hennon	D8/380
D619,452 S *	7/2010	Ollila	D8/396
D625,175 S *	10/2010	Balcell Comas	D8/396
D632,555 S	2/2011	Sarkissian	
D648,620 S *	11/2011	Wagner	D8/396
D692,294 S *	10/2013	Koeniger	D8/396
D695,100 S *	12/2013	Whitaker	D8/396
D700,835 S	3/2014	Langlois et al.	
D702,113 S *	4/2014	Weger	D8/396
D703,033 S *	4/2014	Karlsson	D8/396
D708,053 S *	7/2014	Marini	D8/394
D710,190 S *	8/2014	Weger	D8/396
D711,730 S	8/2014	Mckiernan	
D731,299 S *	6/2015	Sugiura	D8/396
D735,025 S	7/2015	Mathien	
D738,191 S *	9/2015	Nas	D8/349
D742,213 S	11/2015	Sasanecki	
D754,530 S *	4/2016	Schroeder	D8/396
D758,177 S	6/2016	Riccione	
D761,100 S	7/2016	Divers et al.	
D761,101 S	7/2016	Seo et al.	
D766,711 S	9/2016	Babbage	
D775,519 S	1/2017	May	
D798,699 S *	10/2017	Roiser	D8/396
D798,700 S *	10/2017	Byerly	D8/396
D813,025 S *	3/2018	Yesavage	D8/395
D820,074 S *	6/2018	Huettemann	D8/394
D820,076 S *	6/2018	Ramirez	D8/396
D828,748 S *	9/2018	Bancroft	D8/396
D833,265 S *	11/2018	Meola	D8/396
D834,932 S *	12/2018	Babbage	D8/394
D836,185 S *	12/2018	Lippka	D8/394

* cited by examiner

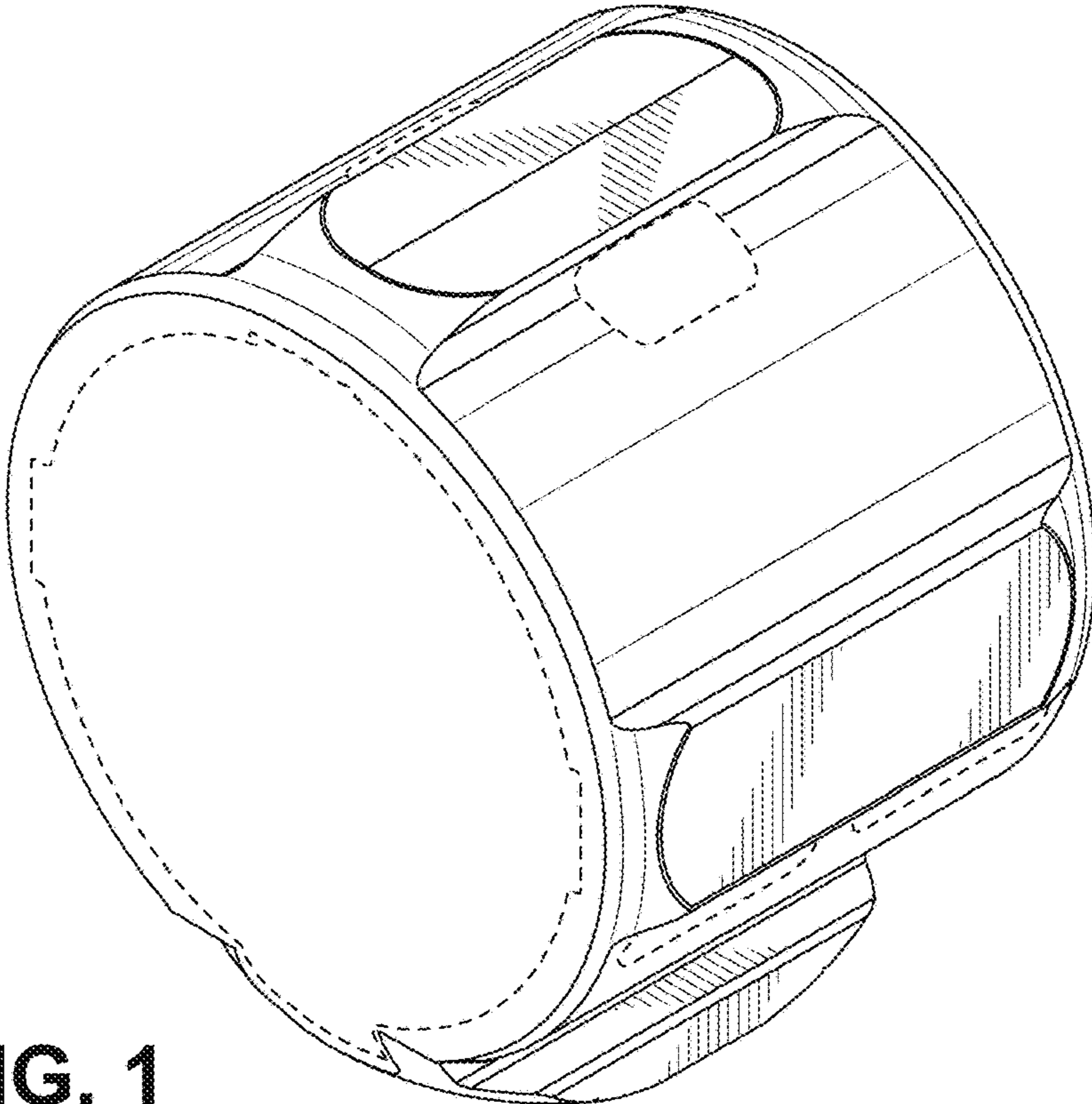


FIG. 1

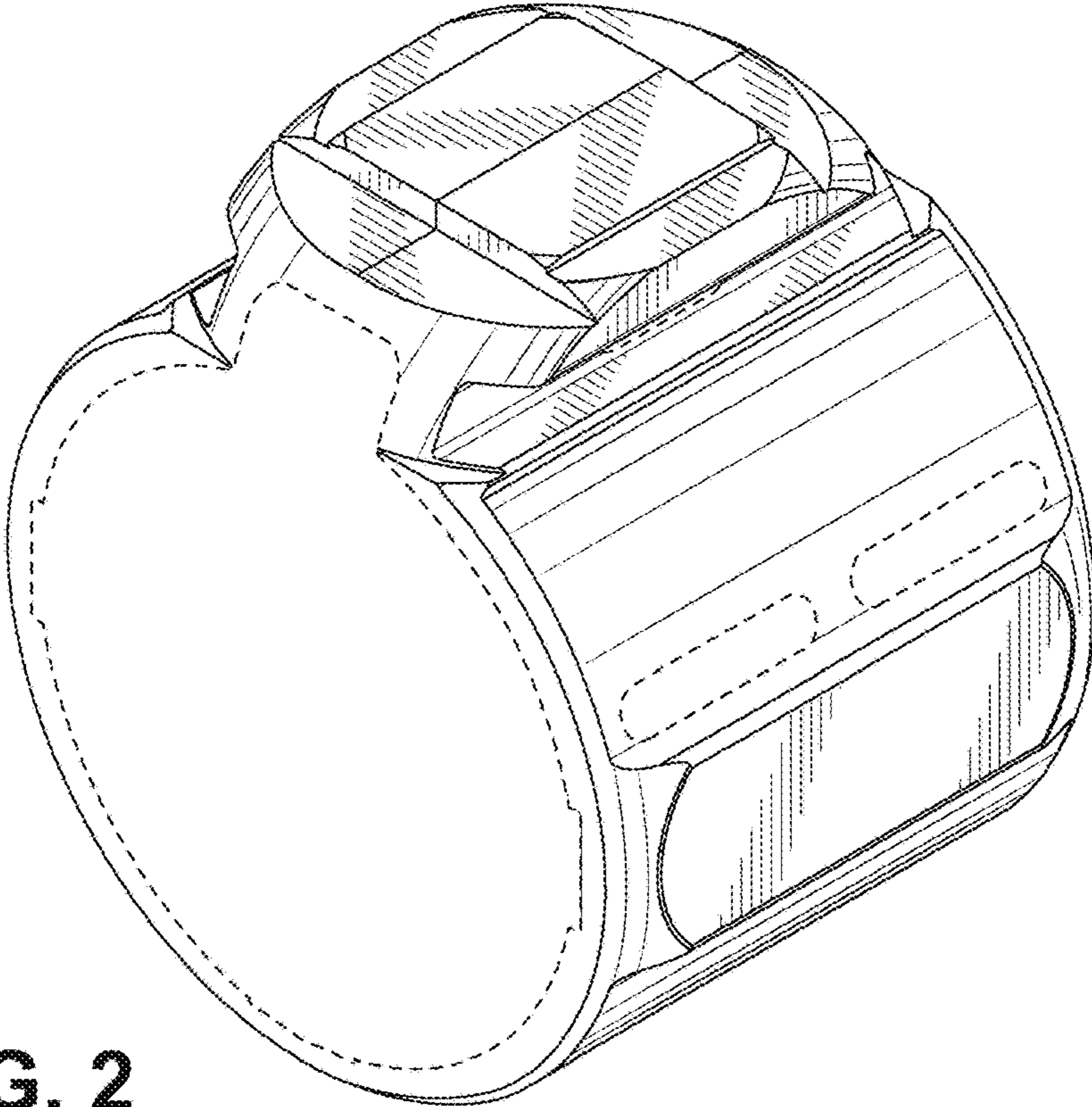


FIG. 2

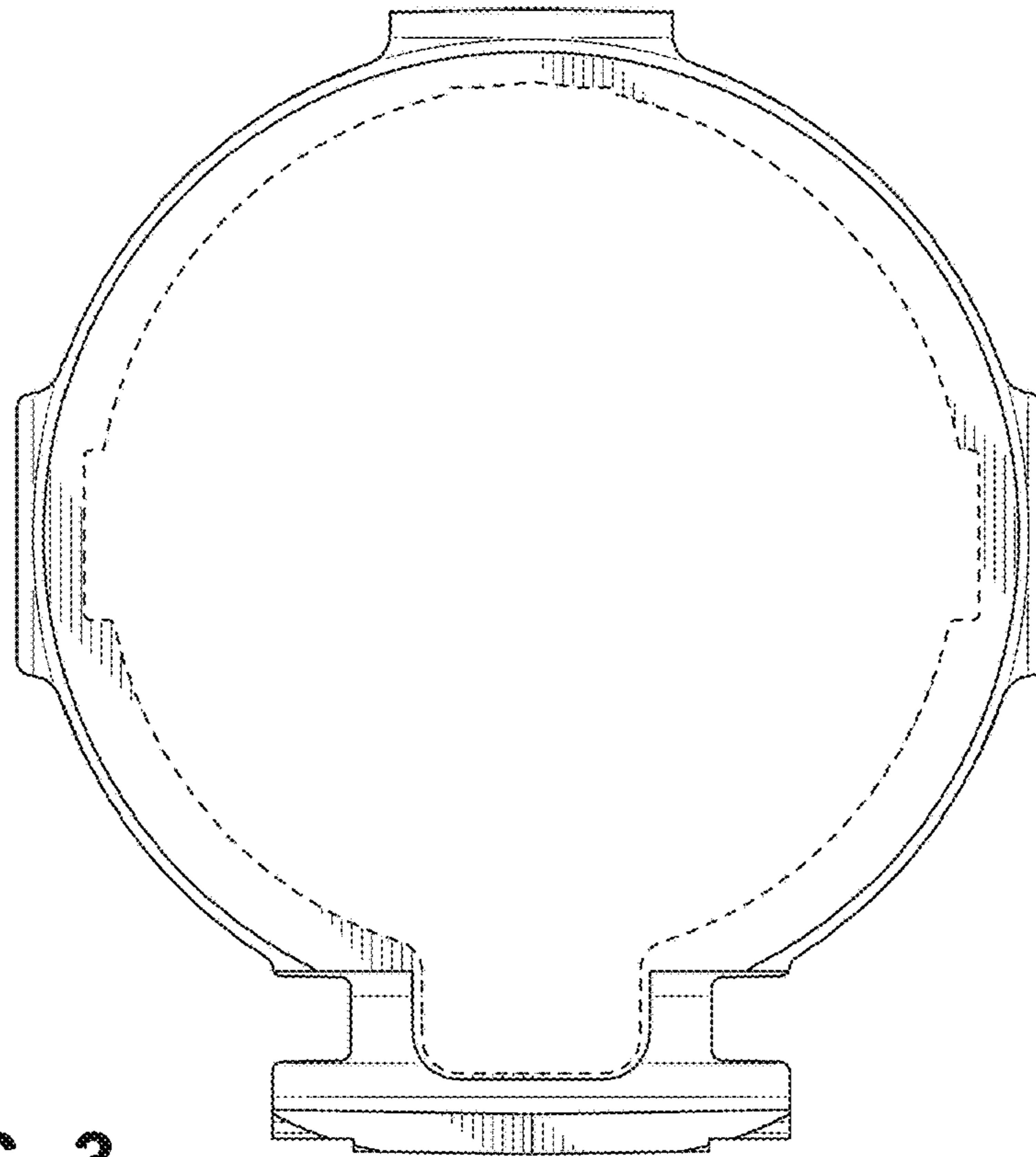


FIG. 3

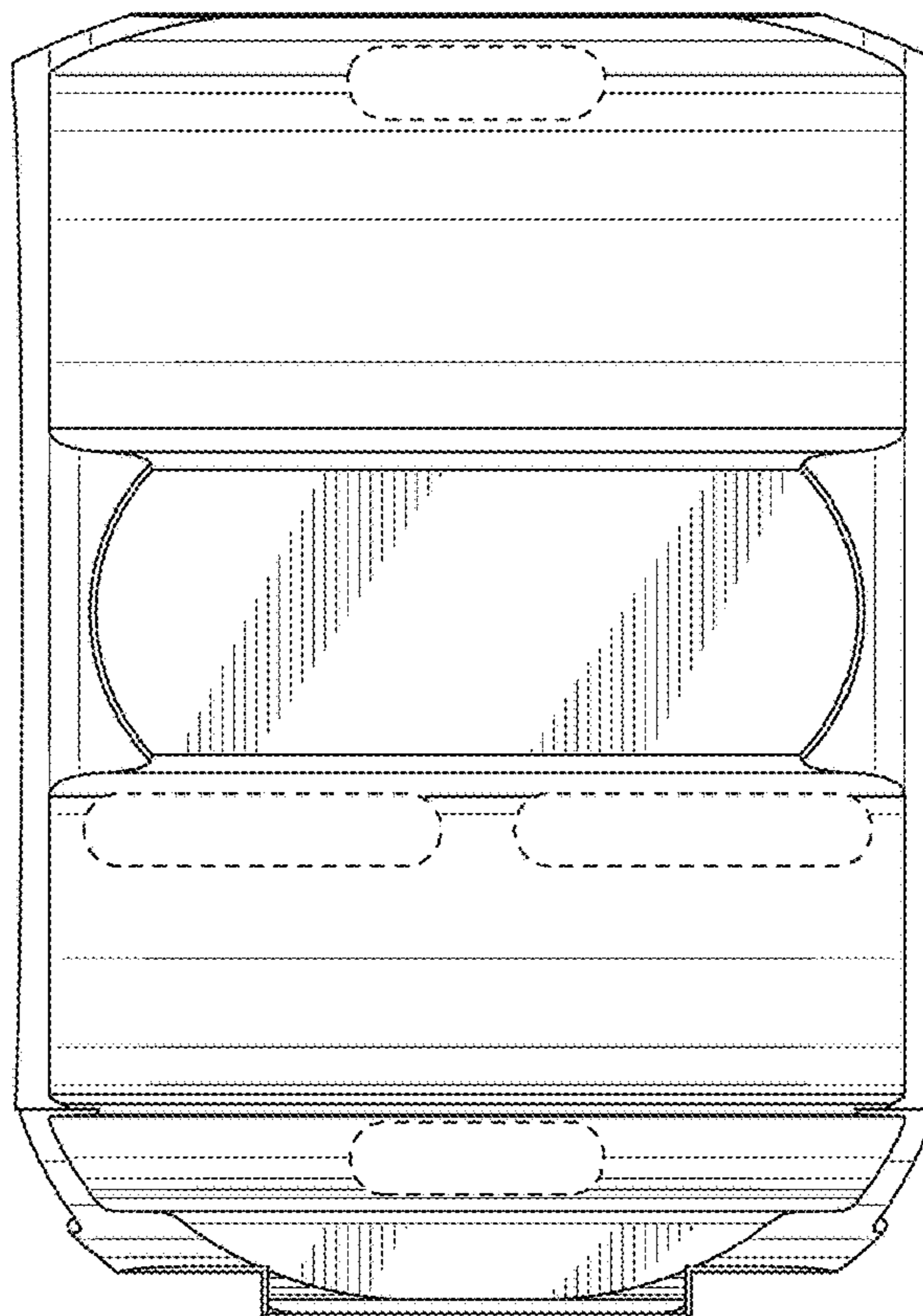


FIG. 4

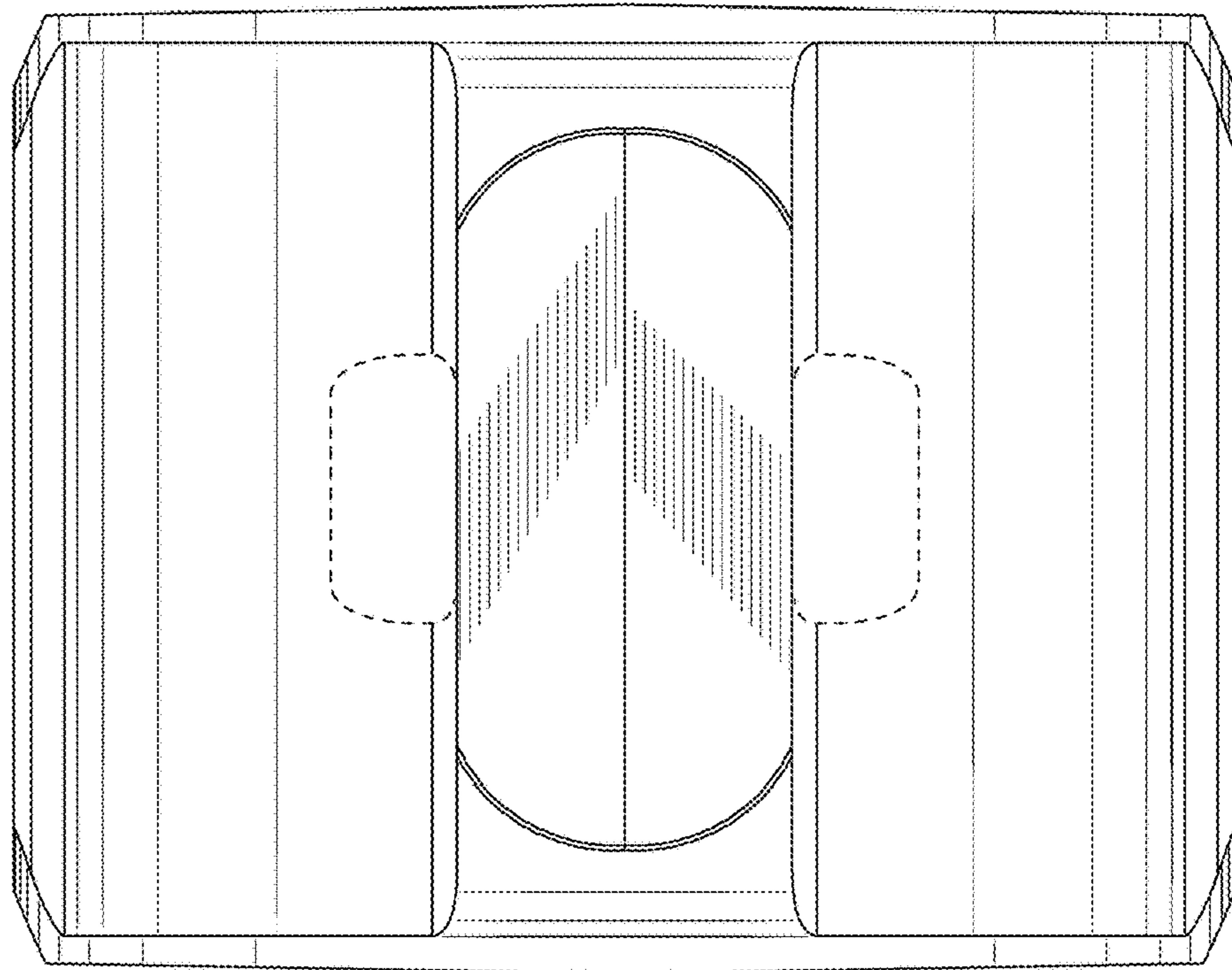


FIG. 5

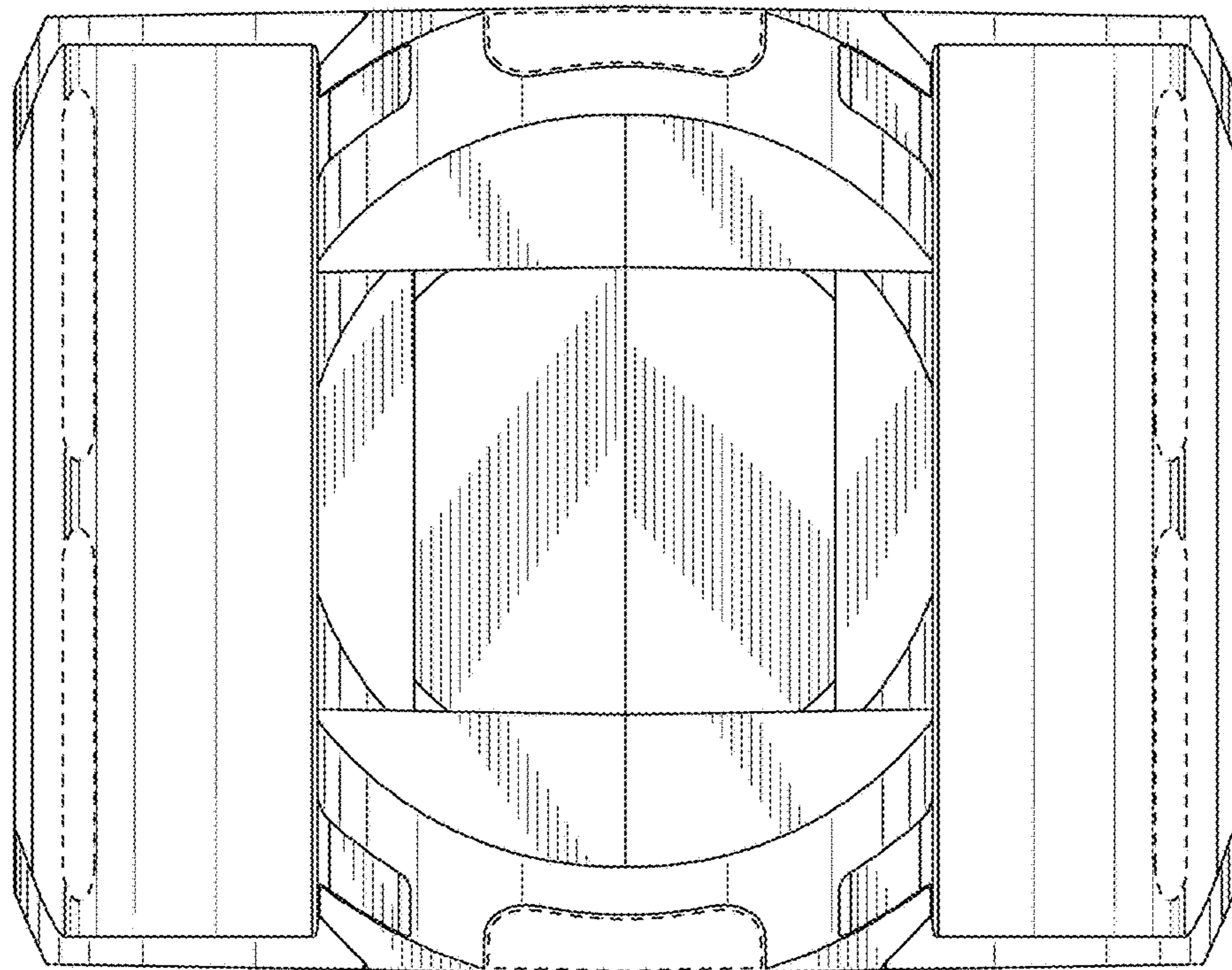


FIG. 6