



US00D850246S

(12) **United States Design Patent**
Nagaki et al.

(10) **Patent No.:** **US D850,246 S**
(45) **Date of Patent:** **** Jun. 4, 2019**

(54) **WIRE GRIPPER**

(71) Applicant: **NAGAKI SEIKI CO., LTD.**, Daito-shi, Osaka (JP)

(72) Inventors: **Takayuki Nagaki**, Daito (JP); **Tamotsu Iwama**, Daito (JP)

(73) Assignee: **NAGAKI SEIKI CO., LTD.**, Daito-Shi, Osaka (JP)

(**) Term: **15 Years**

(21) Appl. No.: **29/570,151**

(22) Filed: **Jul. 5, 2016**

(30) **Foreign Application Priority Data**

Jan. 6, 2016	(JP)	2016-001102
Mar. 16, 2016	(JP)	2016-052458
Jun. 15, 2016	(JP)	2016-118721
Jun. 16, 2016	(JP)	2016-012910

(51) **LOC (11) Cl.** **08-08**

(52) **U.S. Cl.**
USPC **D8/394**

(58) **Field of Classification Search**
USPC D8/394-396
See application file for complete search history.

(56) **References Cited**

U.S. PATENT DOCUMENTS

D411,298	S *	6/1999	Godwin	D24/128
D633,783	S *	3/2011	Iwama	D8/383
D651,072	S *	12/2011	Boucher-Gagne	D8/394
D657,663	S *	4/2012	Boucher-Gagne	D8/394
D658,050	S *	4/2012	Boucher-Gagne	D8/394
D757,533	S *	5/2016	Ormsbee	D8/395
D763,674	S *	8/2016	Nagaki	D8/394
D764,268	S *	8/2016	Nagaki	D8/396
9,434,587	B2 *	9/2016	Nagaki	B66F 19/00
2015/0232314	A1 *	8/2015	Nagaki	B66F 19/00
					294/135
2015/0244154	A1 *	8/2015	Nagaki	H02G 7/056
					254/134.6
2016/0218493	A1 *	7/2016	Iwama	H02G 1/04
2016/0336724	A1 *	11/2016	Nagaki	H02G 1/06

FOREIGN PATENT DOCUMENTS

CN 301316697 * 8/2010

OTHER PUBLICATIONS

Amazon.com : American Power Pull Fence and Wire Grip, oldest review 2014, https://www.amazon.com/American-Power-Pull-Pp7008-Fence/dp/B00DIRTYSG/ref=cm_cr_ar_p_d_product_top?ie=UTF8, [site visited Sep. 12, 2017 2:12: 04 AM].*

Zoro wire grips, website 2017, site visited Sep. 12, 2017, <https://www.zoro.com/search?categoryl3=Cable+Pulling+Grips&categoryl1=Hand+Tools&q=&categoryl2=Electrical+Tools&page=1>.*

* cited by examiner

Primary Examiner — John Windmuller

Assistant Examiner — John R Yeh

(74) *Attorney, Agent, or Firm* — Rabin & Berdo, P.C.

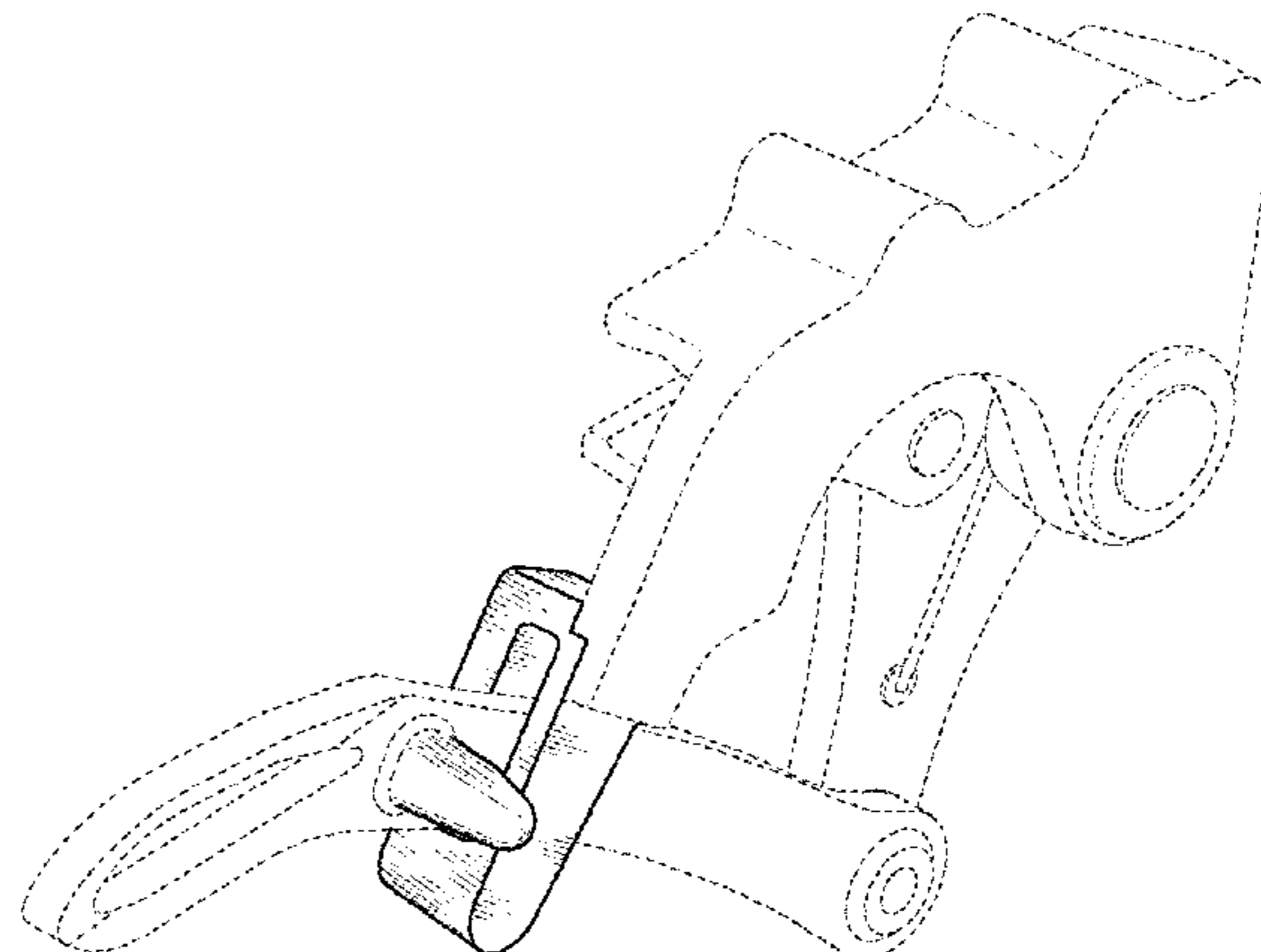
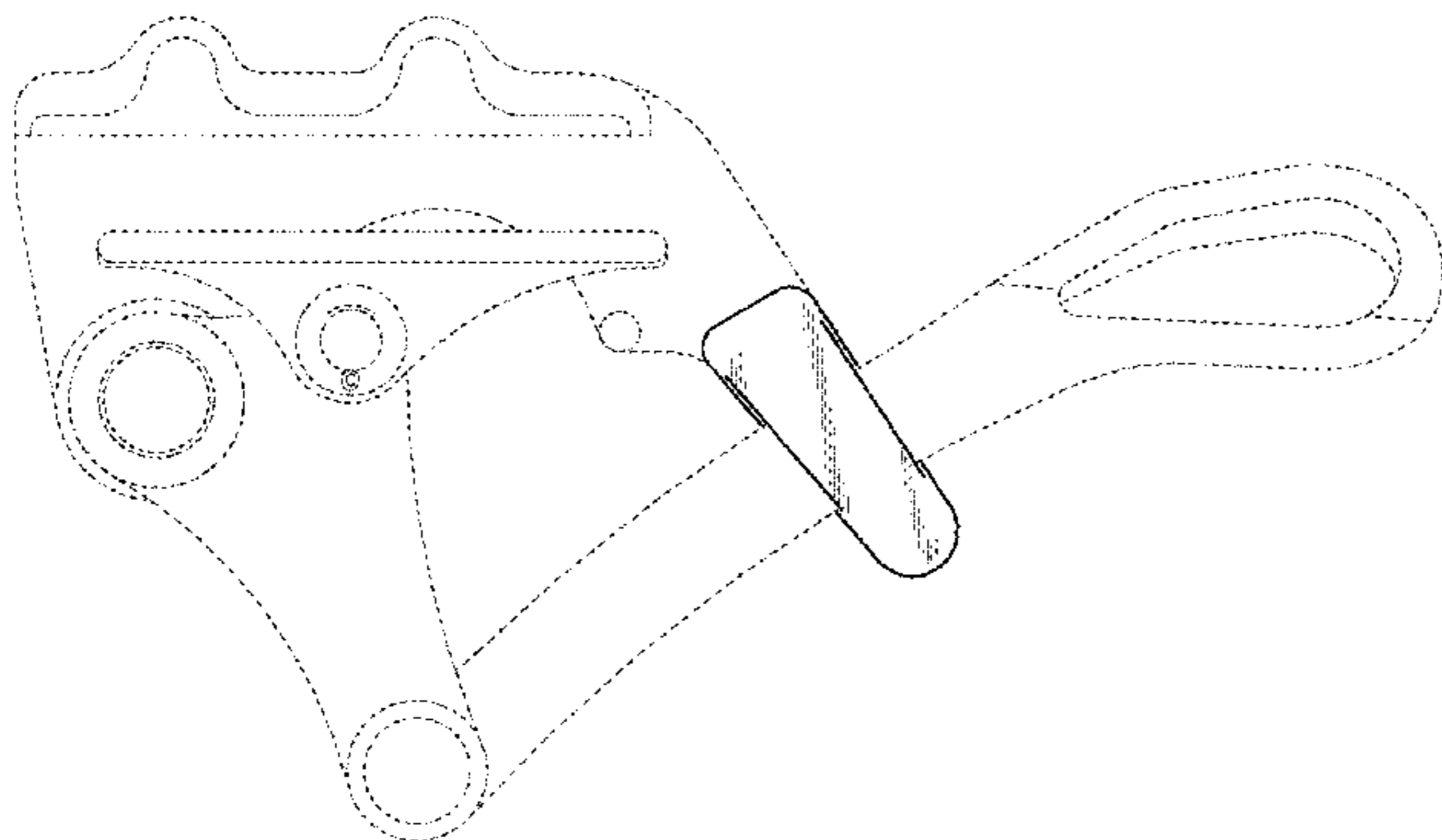
(57) **CLAIM**

The ornamental design for a wire gripper, as shown and described.

DESCRIPTION

FIG. 1 is a front view of the wire gripper;
FIG. 2 is a rear view thereof;
FIG. 3 is a top view thereof;
FIG. 4 is a bottom view thereof;
FIG. 5 is a right side view thereof;
FIG. 6 is a left side view thereof;
FIG. 7 is a reference view showing a state of use thereof;
FIG. 8 is another reference view showing a state of use thereof;
FIG. 9 is another reference view showing a state of use thereof;
FIG. 10 is a perspective view thereof; and,
FIG. 11 is another perspective view thereof.

1 Claim, 10 Drawing Sheets



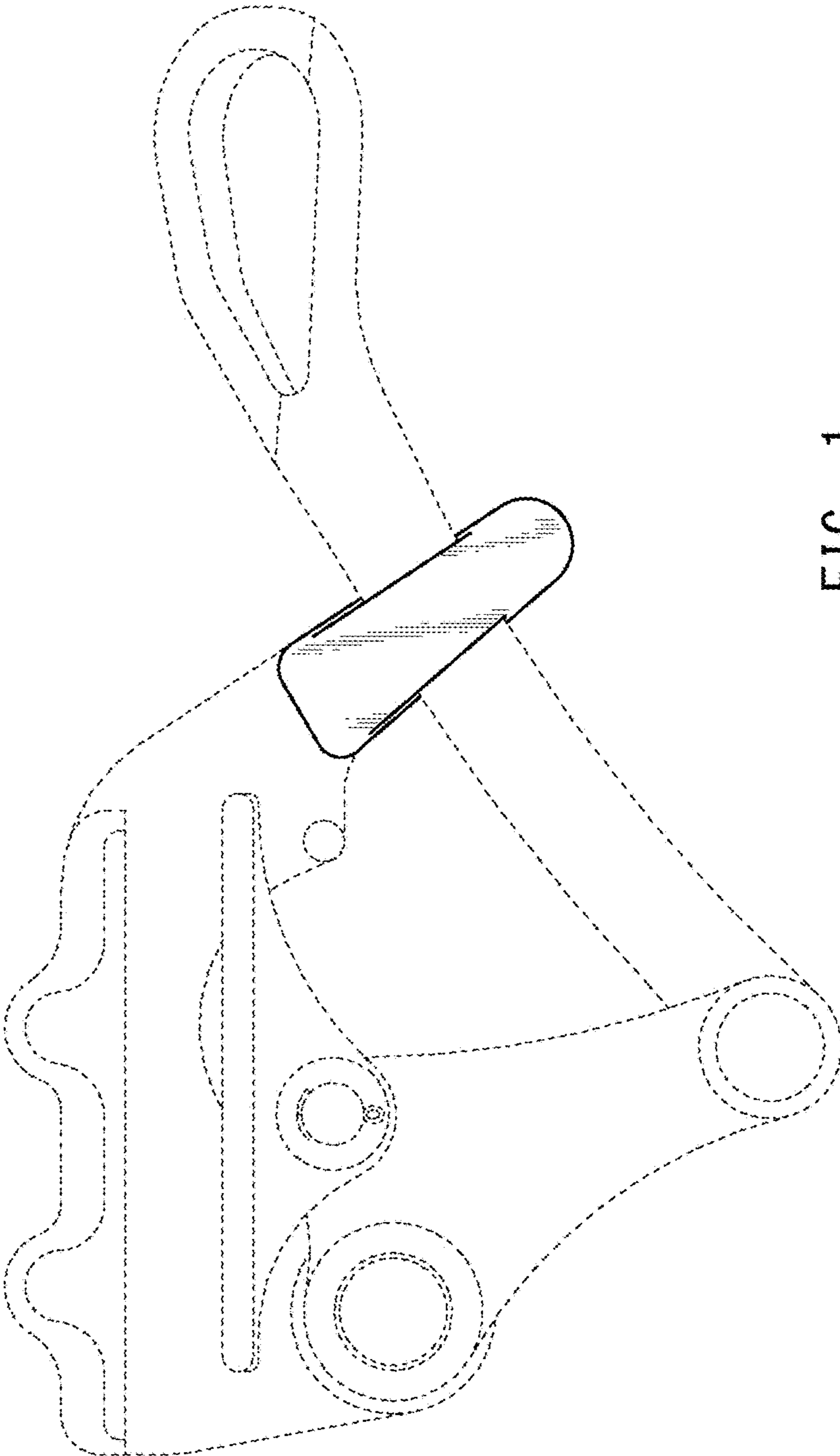


FIG. 1

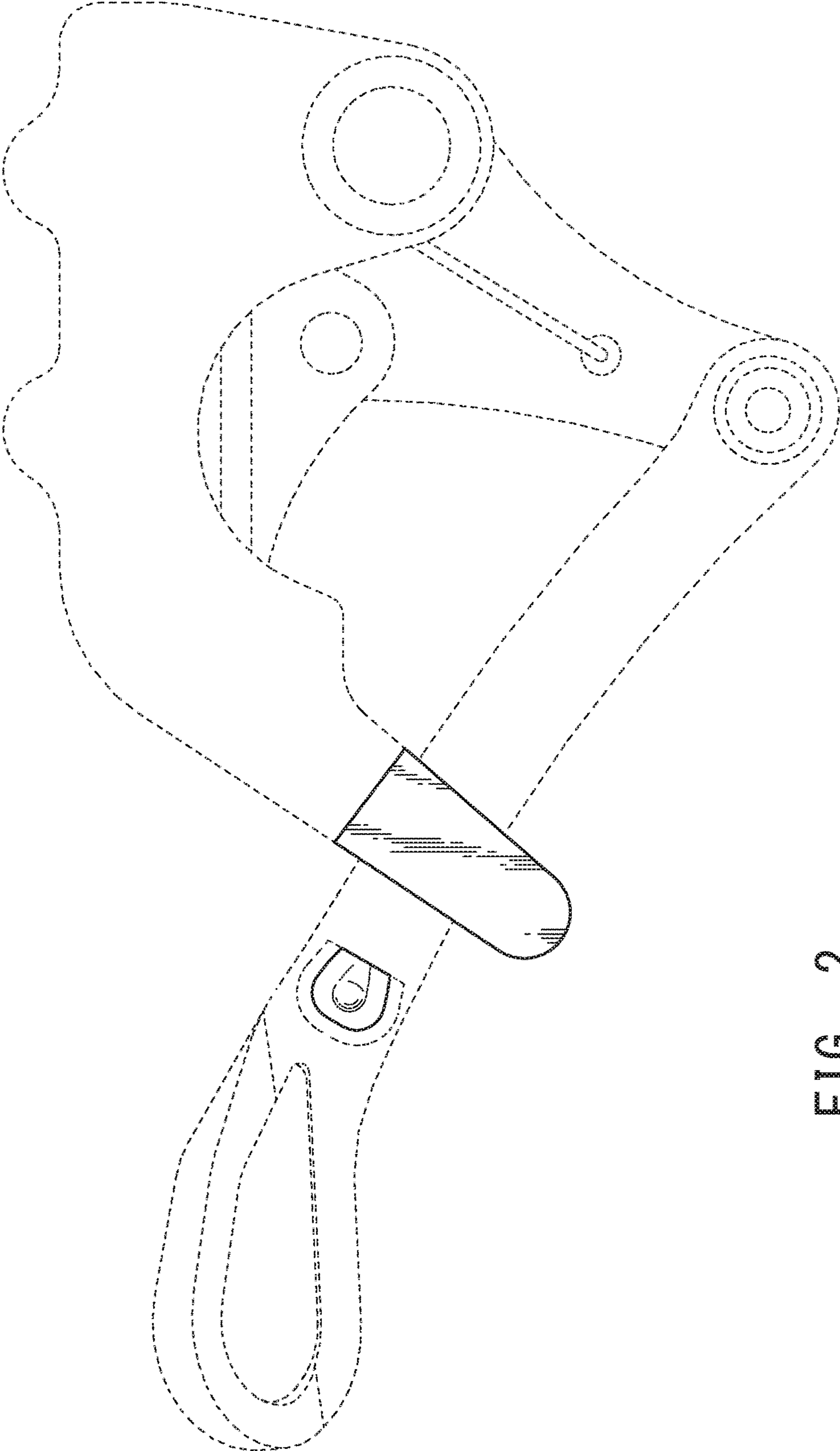


FIG. 2

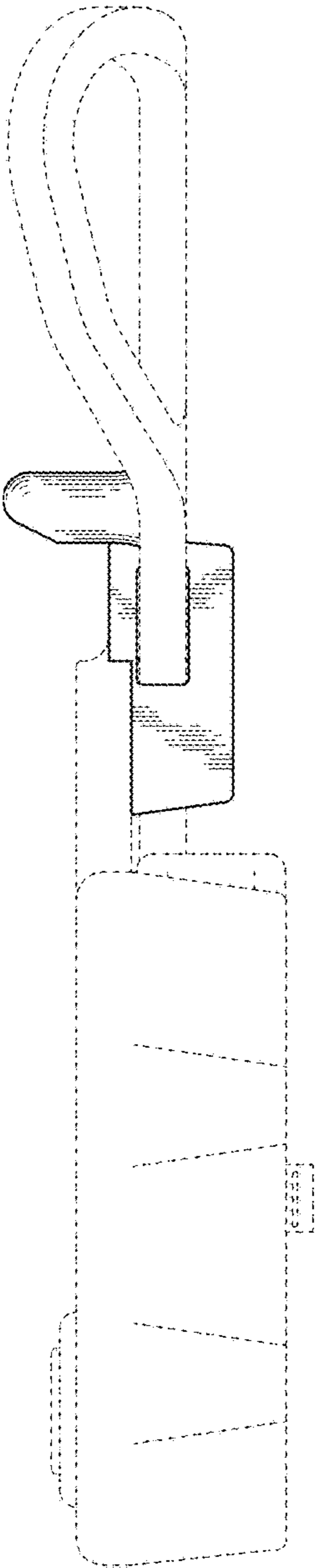


FIG. 3

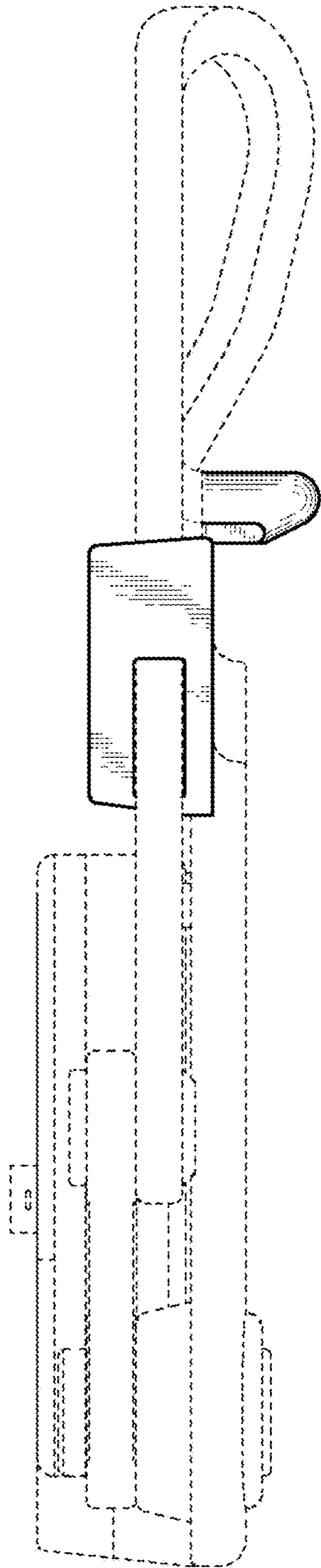


FIG. 4

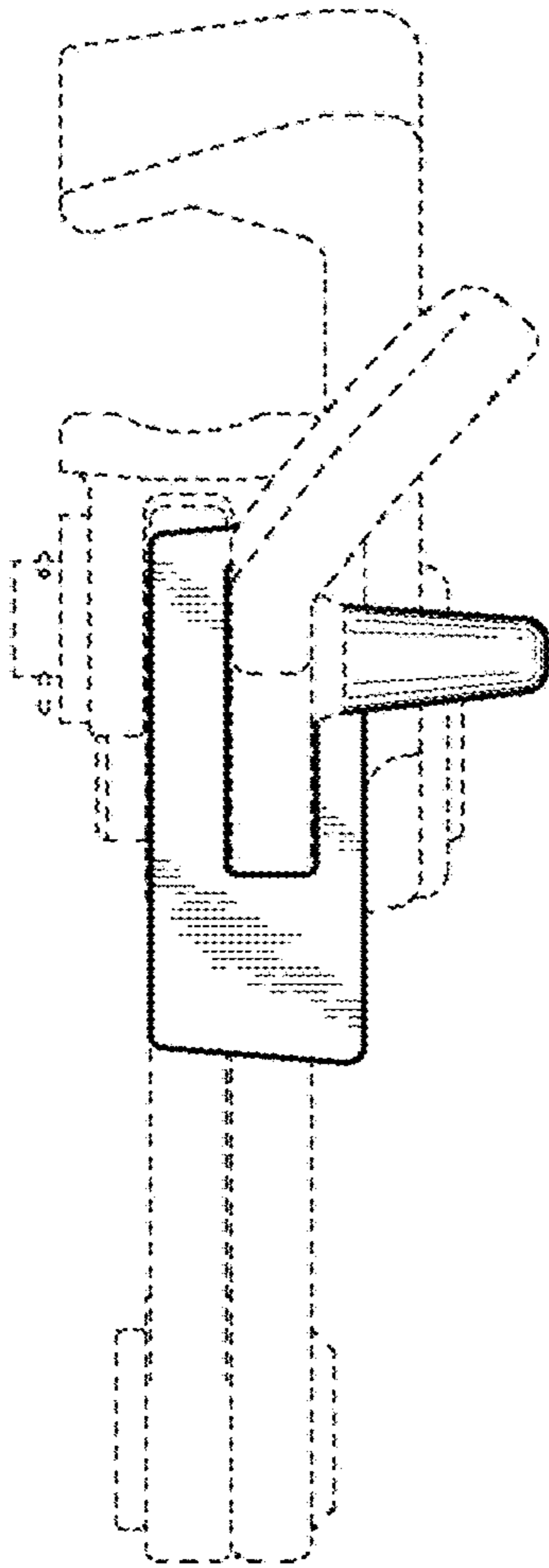


FIG. 5

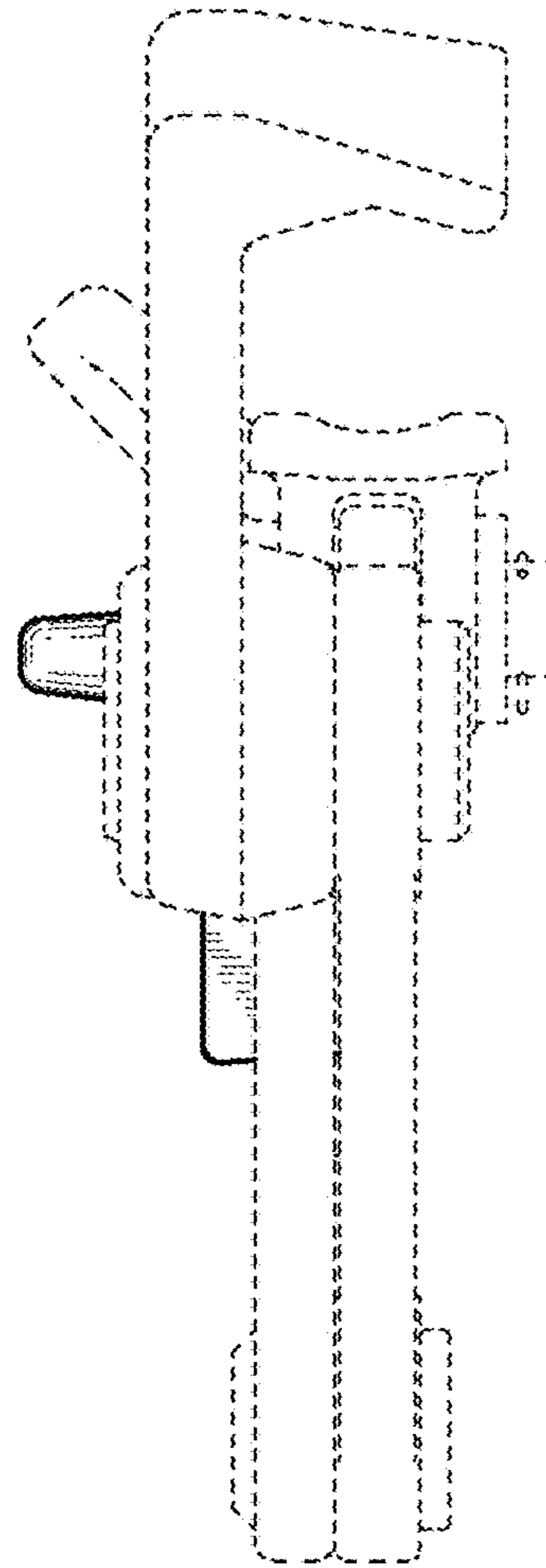


FIG. 6

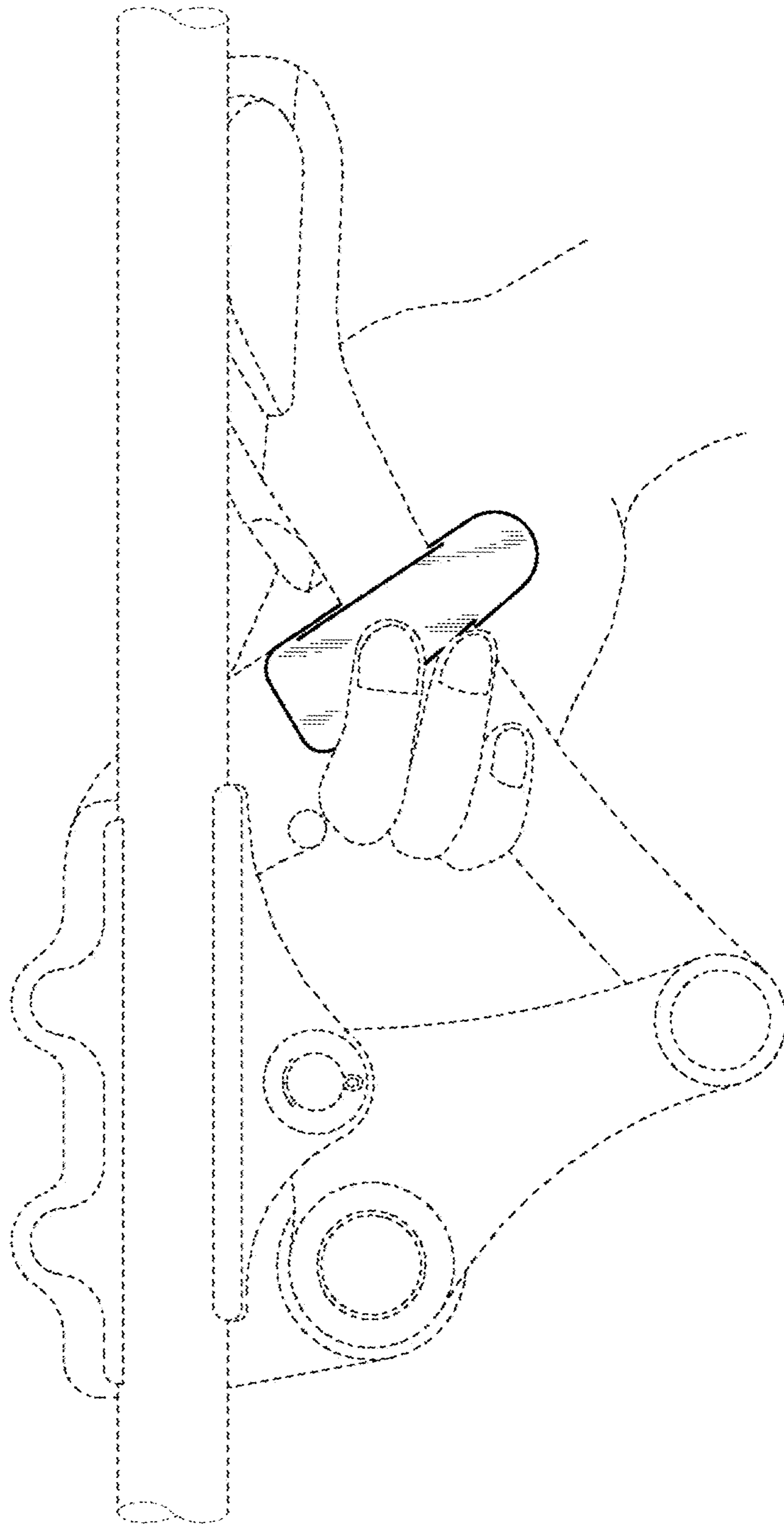


FIG. 7

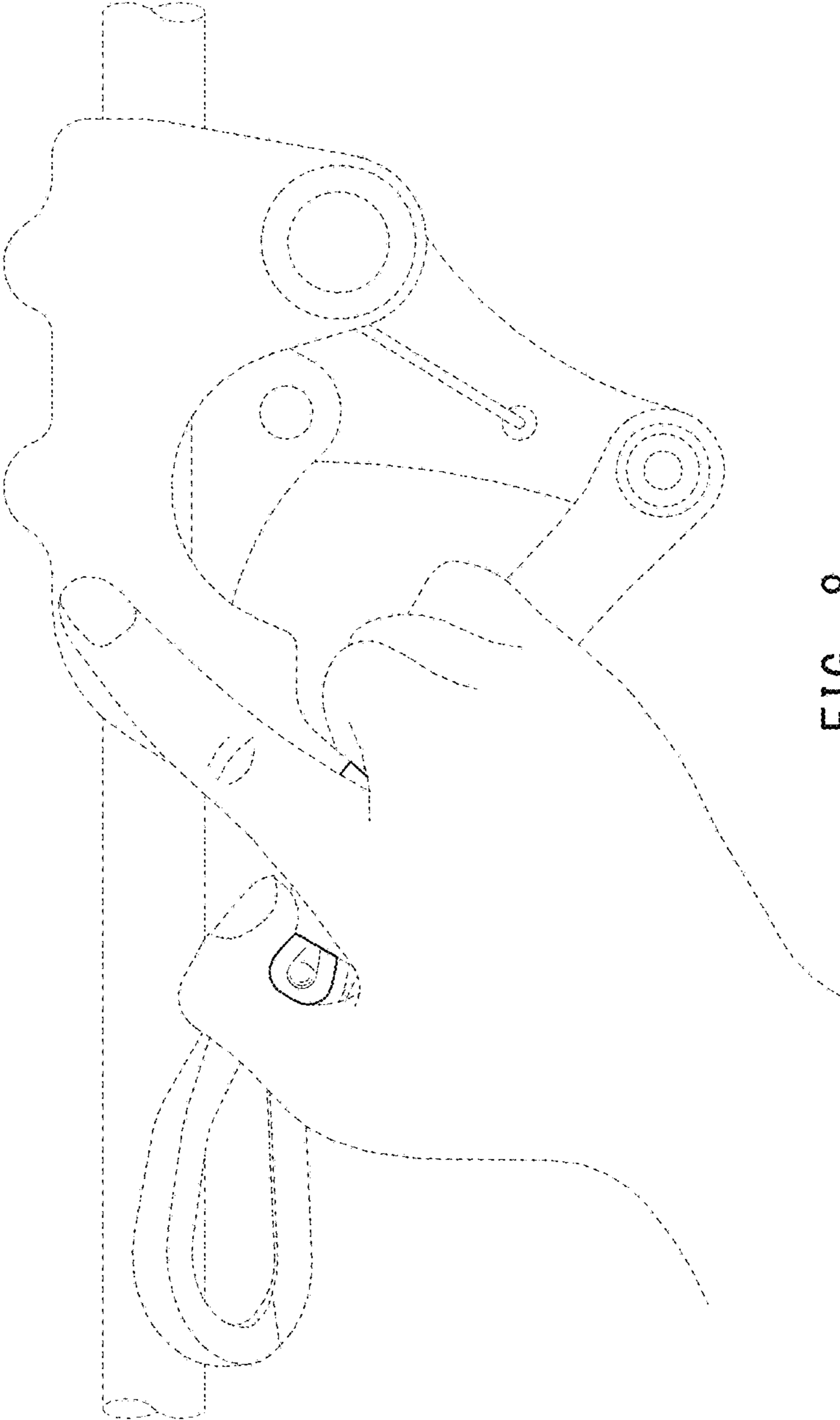


FIG. 8

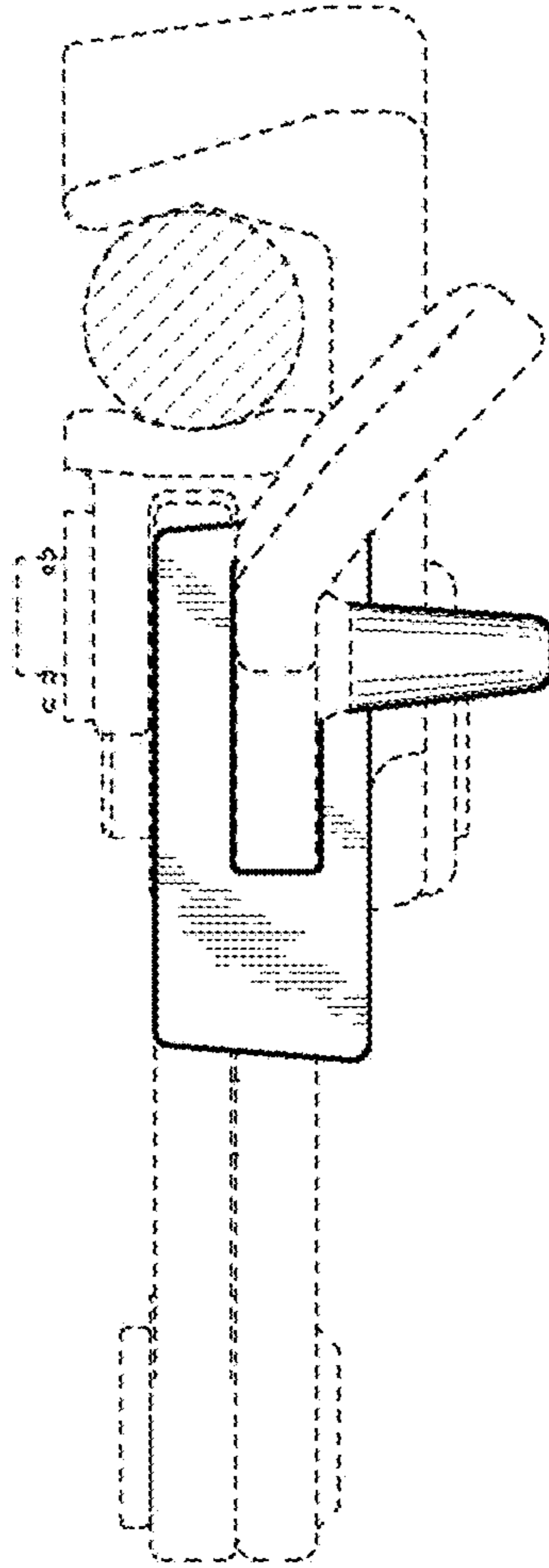


FIG. 9

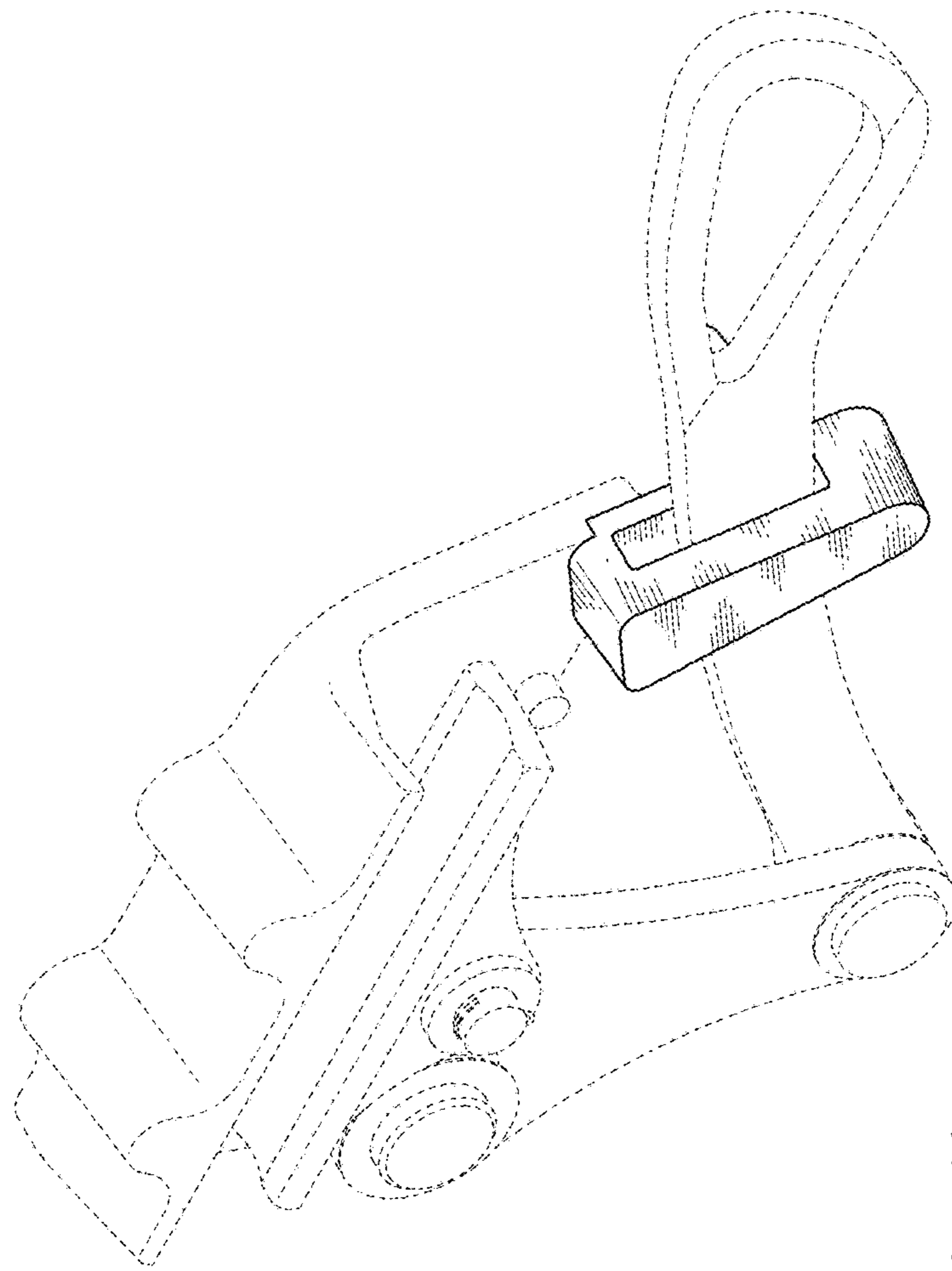


FIG. 10

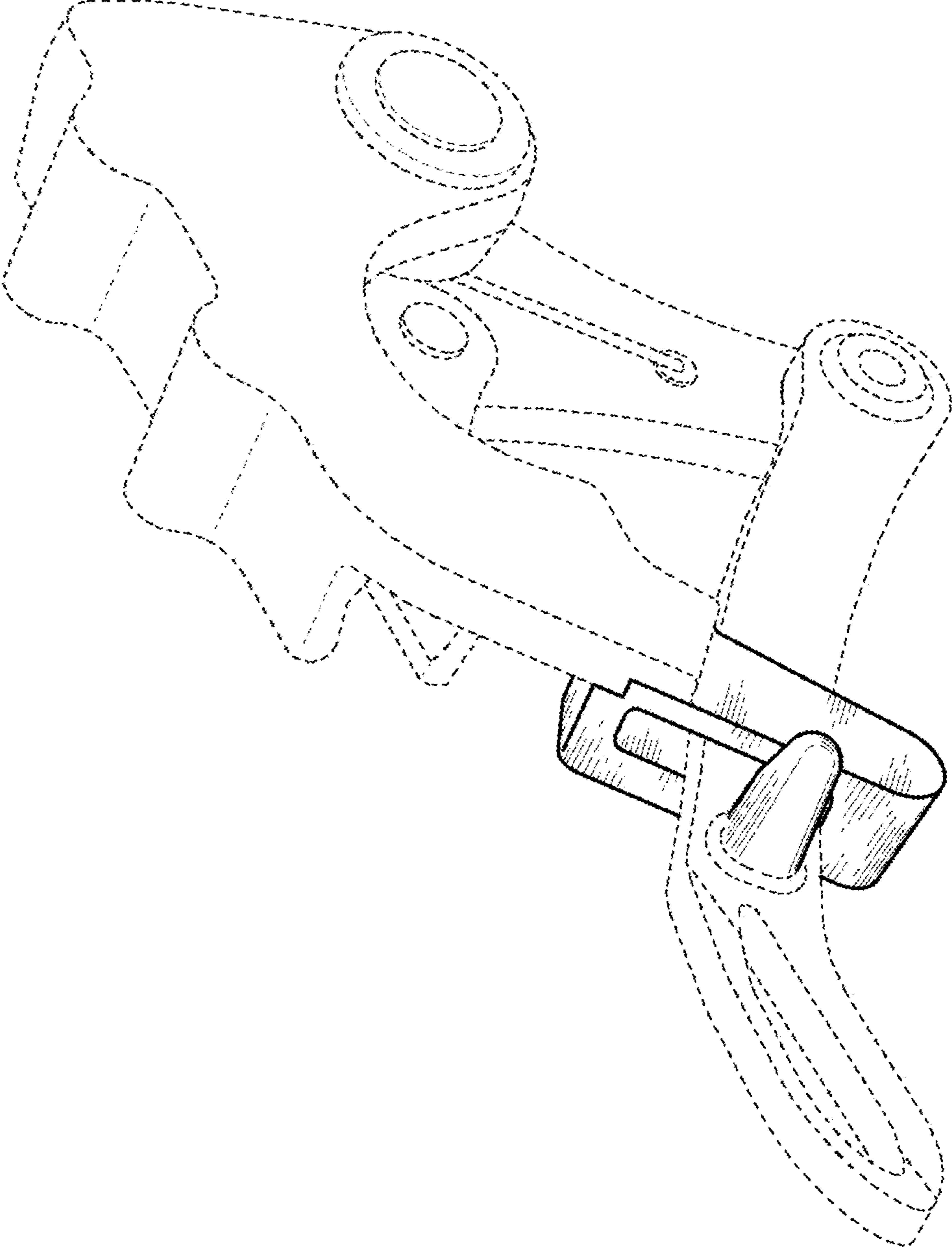


FIG. 11