

US00D850241S

(12) **United States Design Patent**
Ormsbee et al.

(10) **Patent No.:** **US D850,241 S**
(45) **Date of Patent:** **** Jun. 4, 2019**

(54) **DUAL CARABINER**

(71) Applicant: **NITE IZE, INC.**, Boulder, CO (US)

(72) Inventors: **Bowden Ormsbee**, Longmont, CO (US); **Rex W. Stevens**, Longmont, CO (US)

(73) Assignee: **Nite Ize, Inc.**, Boulder, CO (US)

(**) Term: **15 Years**

(21) Appl. No.: **29/610,795**

(22) Filed: **Jul. 14, 2017**

(51) **LOC (11) Cl.** **09-06**

(52) **U.S. Cl.**
USPC **D8/356**

(58) **Field of Classification Search**
USPC D8/367, 356, 354, 349
CPC B65H 57/16; B63B 21/045; F16B 45/02;
F16B 1/00
See application file for complete search history.

(56) **References Cited**

U.S. PATENT DOCUMENTS

4,274,252	A *	6/1981	Cavender	F16G 15/08
					59/86
D337,935	S *	8/1993	Hawley	D8/367
D649,018	S *	11/2011	Kope	D8/367
8,172,476	B2 *	5/2012	Berney	F16B 45/00
					403/164
D686,058	S *	7/2013	Paik	D8/356
D698,626	S *	2/2014	Ormsbee	D8/356
9,255,602	B2 *	2/2016	Liang	F16B 45/02
D753,986	S *	4/2016	Petzl	D8/367
9,429,182	B2 *	8/2016	Maurice	F16B 45/04
D769,104	S *	10/2016	Reid	D8/356
10,111,545	B1 *	10/2018	Shapiro	F16B 45/02

D837,636	S *	1/2019	Wersland	D8/356
2009/0000086	A1 *	1/2009	Bing	F16B 45/06
					24/592.11
2009/0208274	A1 *	8/2009	Liang	F16G 15/08
					403/164
2019/0017535	A1 *	1/2019	Ormsbee	F16B 45/02

* cited by examiner

Primary Examiner — Cynthia R Underwood

(74) *Attorney, Agent, or Firm* — Haynes and Boone, LLP

(57) **CLAIM**

The ornamental design for the dual carabiner, as shown and described.

DESCRIPTION

FIG. 1 shows a front perspective view of a dual carabiner; FIG. 2 shows a rear perspective view of the dual carabiner of FIG. 1; FIG. 3 shows a right side view of the dual carabiner of FIG. 1; FIG. 4 shows a left side view of the dual carabiner of FIG. 1; FIG. 5 shows a front view of the dual carabiner of FIG. 1; FIG. 6 shows a rear view of the dual carabiner of FIG. 1; FIG. 7 shows a top view of the dual carabiner of FIG. 1; FIG. 8 shows a bottom view of the dual carabiner of FIG. 1; FIG. 9 shows a split apart view of the dual carabiner of FIG. 1; FIG. 10 shows a view towards cut 10 in the direction shown in FIG. 9 of one-half of the dual carabiner shown in FIG. 1; and, FIG. 11 shows a view towards cut 11 in the direction shown in FIG. 9 of one-half of the dual carabiner shown in FIG. 1.

1 Claim, 7 Drawing Sheets

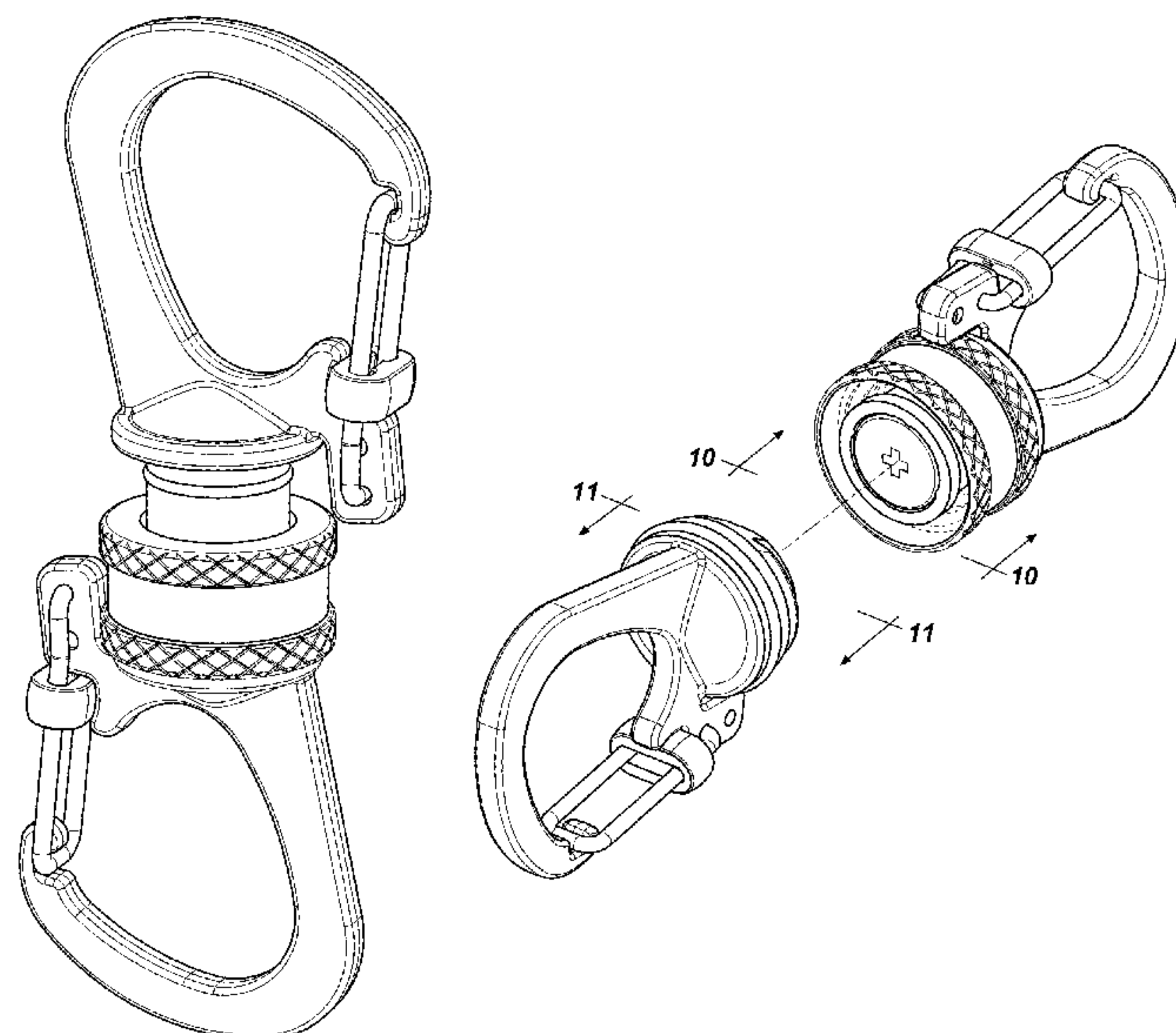


FIG. 1

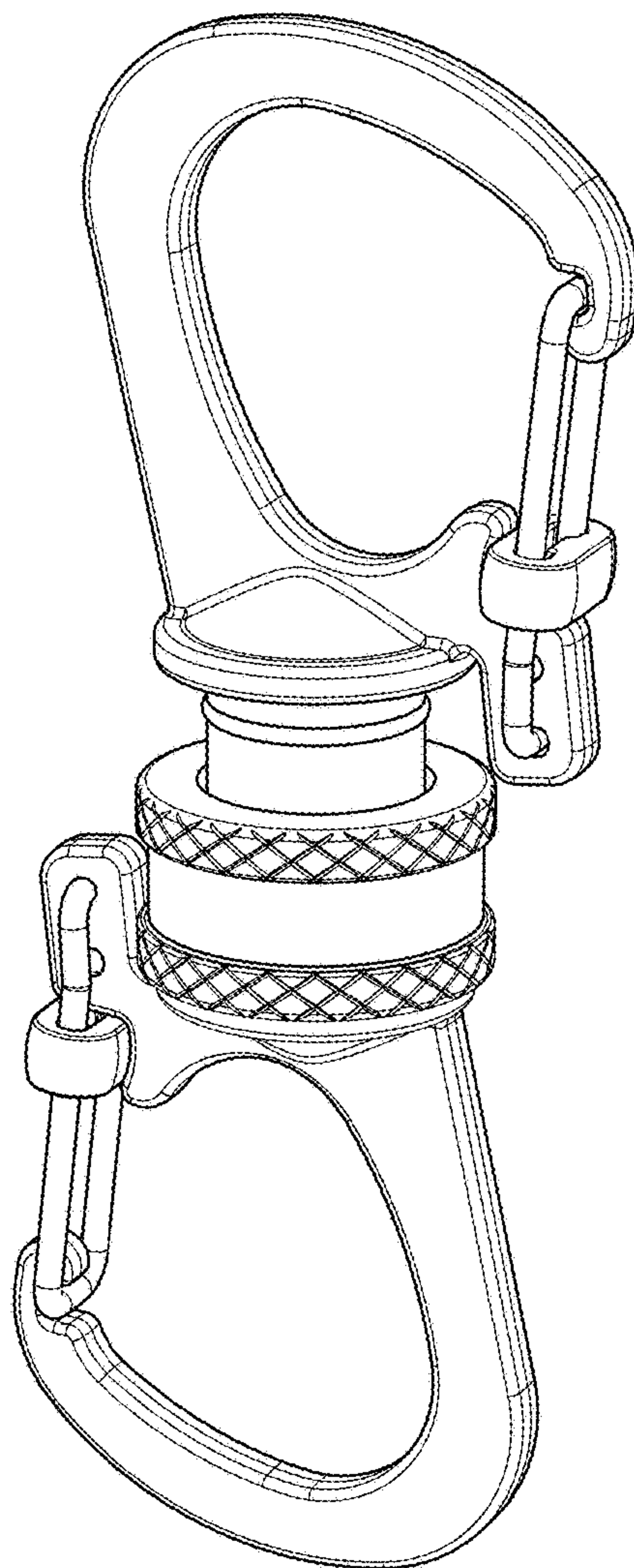


FIG. 2

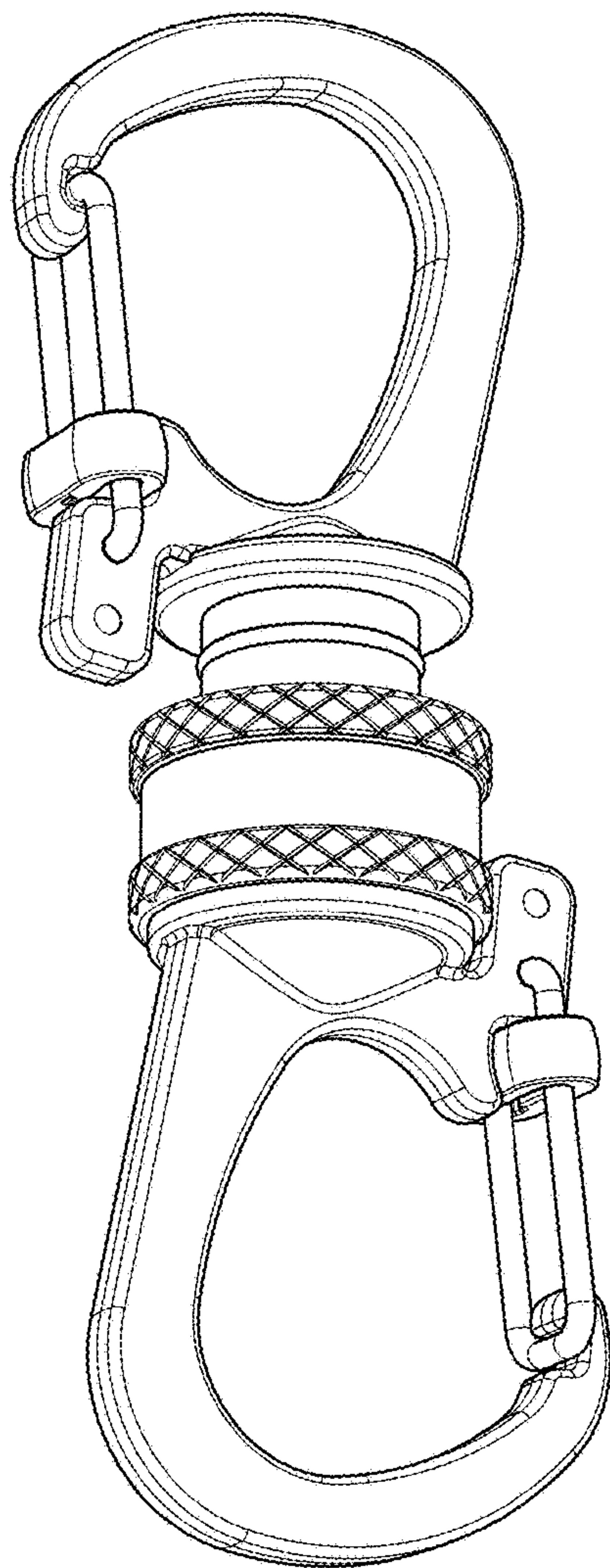


FIG. 3

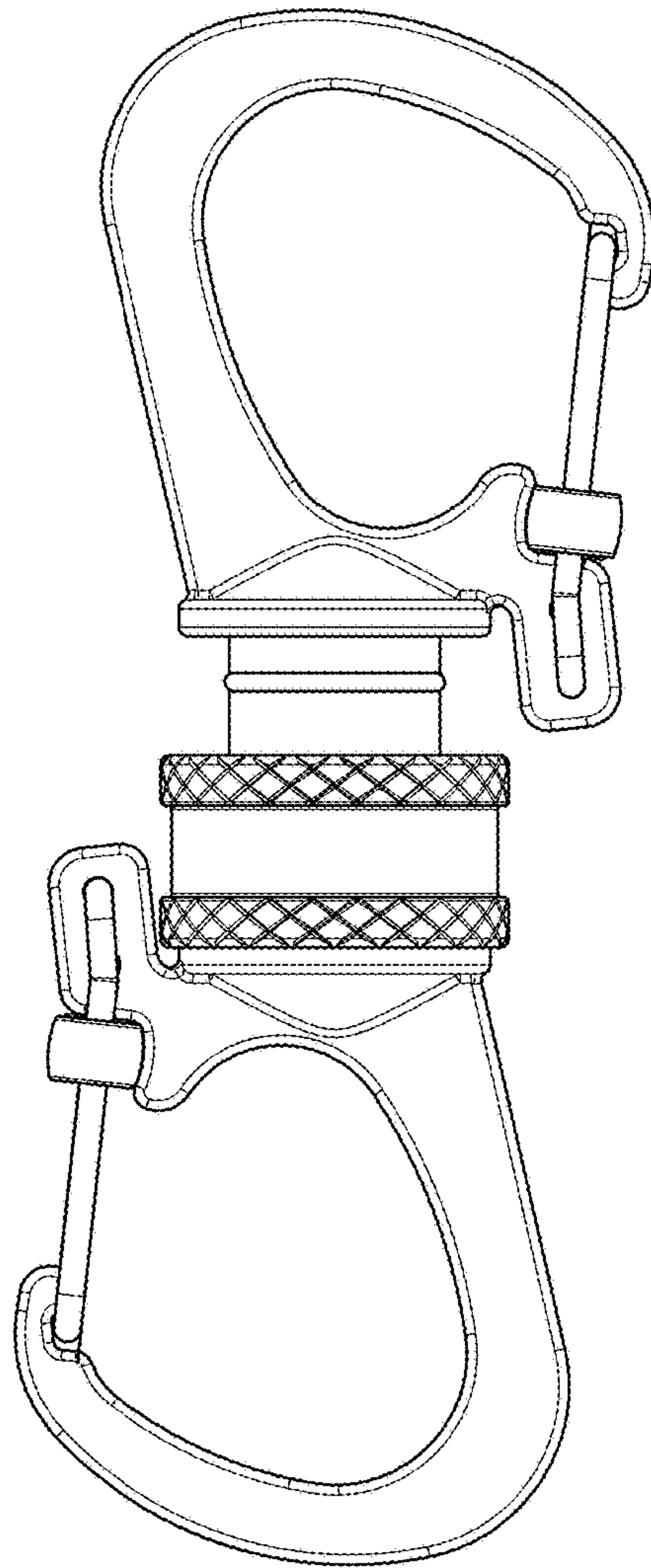


FIG. 4

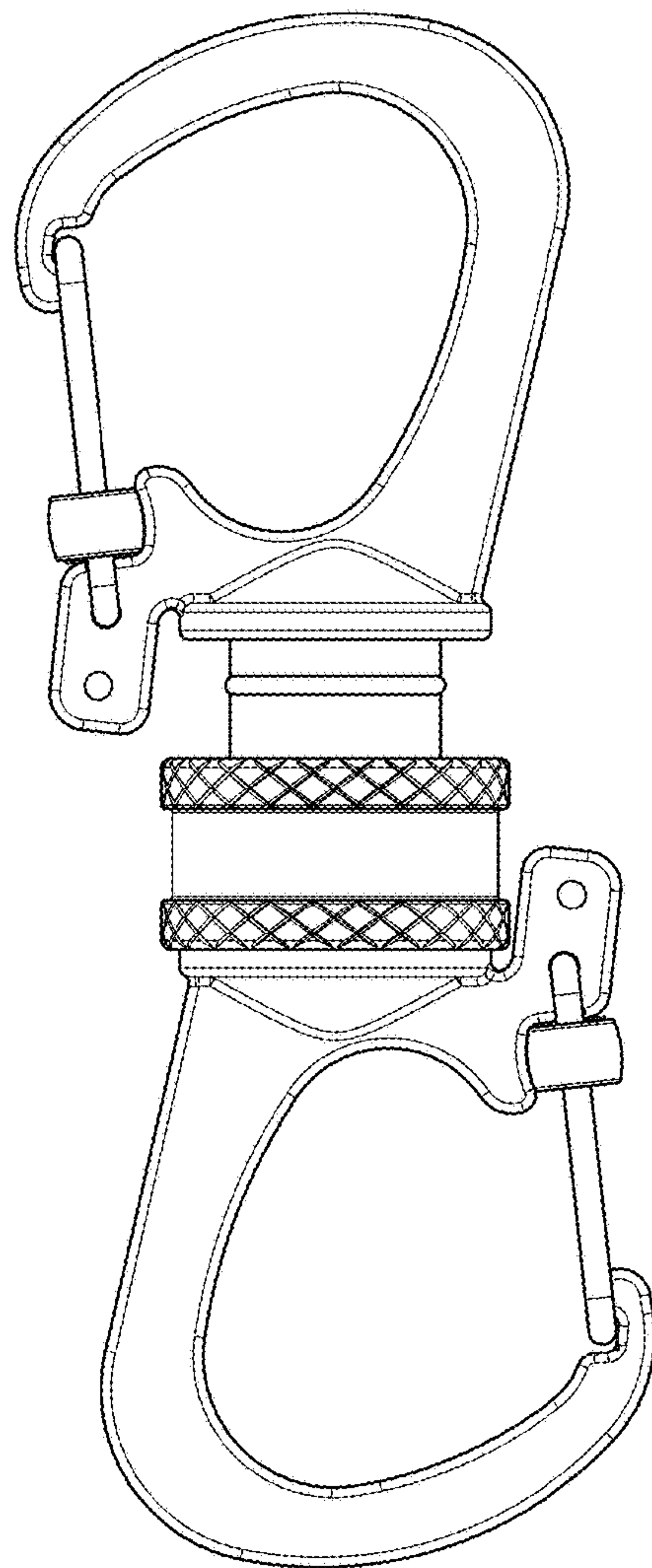


FIG. 5

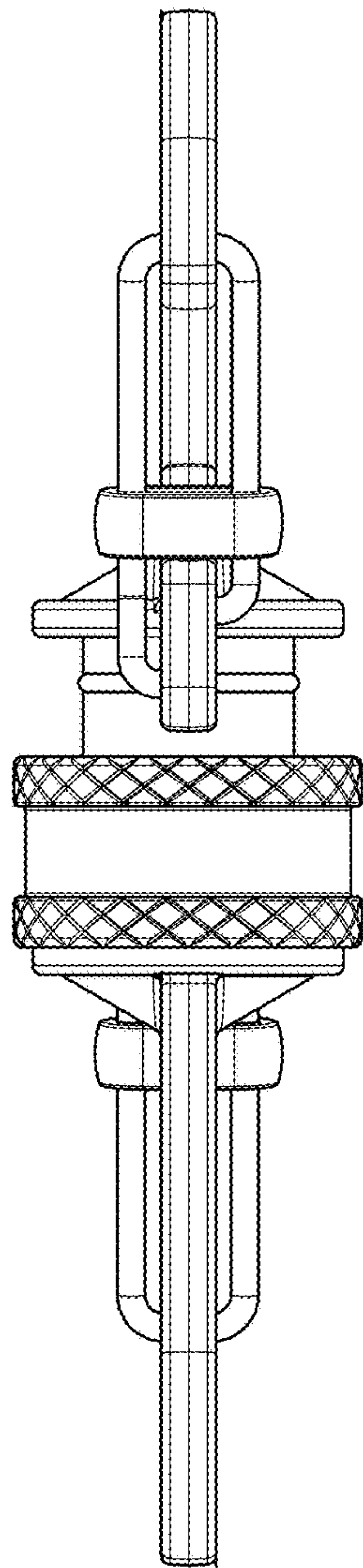


FIG. 6

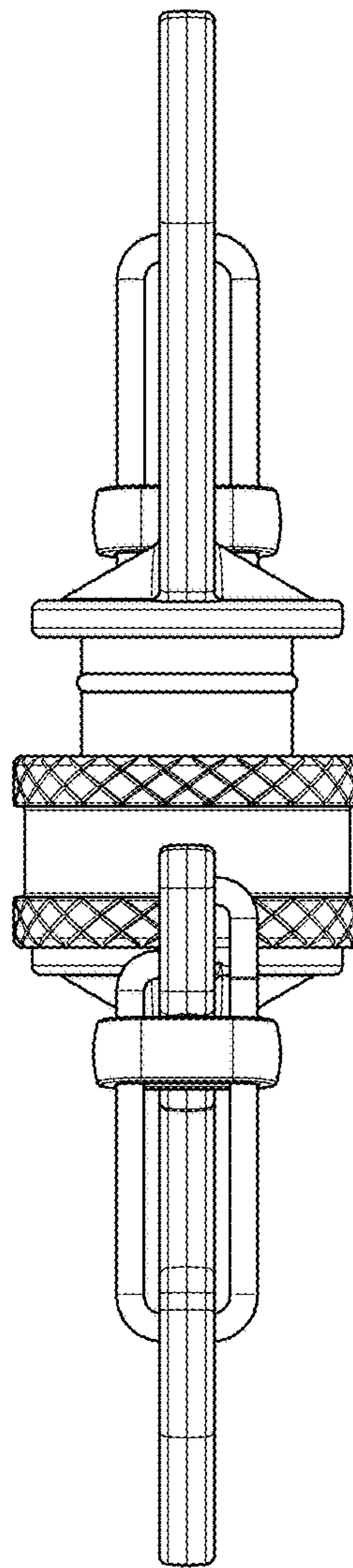


FIG. 7

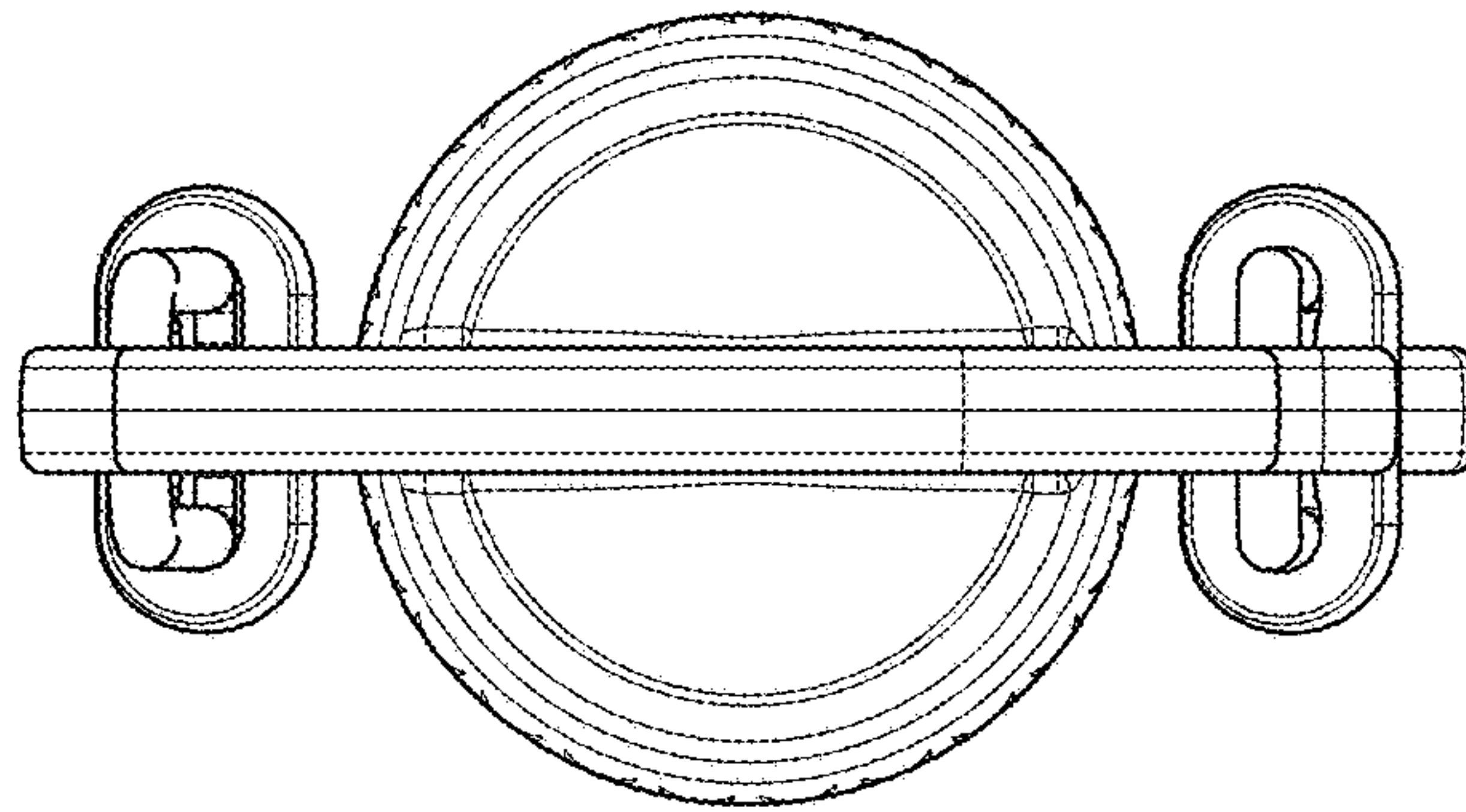


FIG. 8

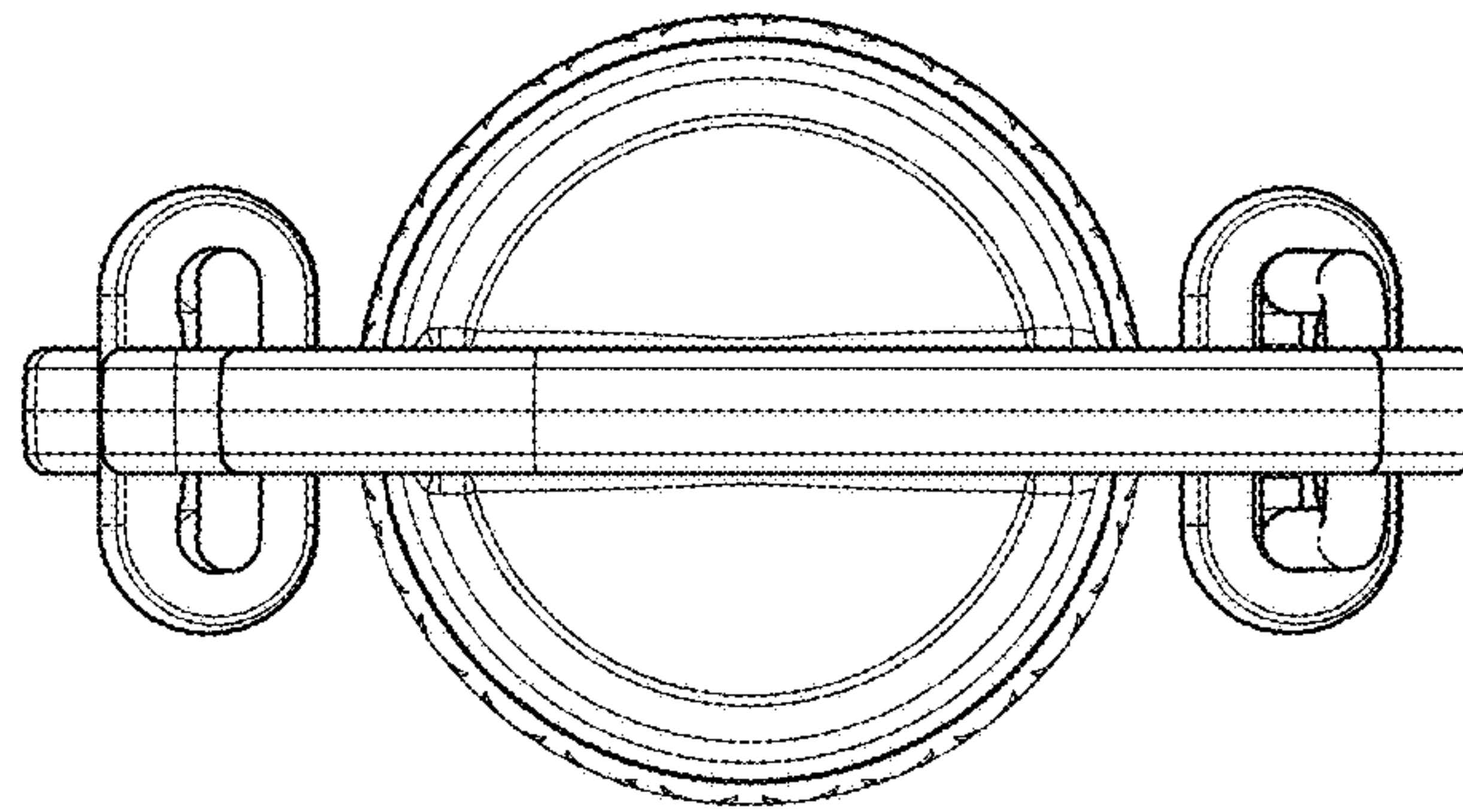


FIG. 9

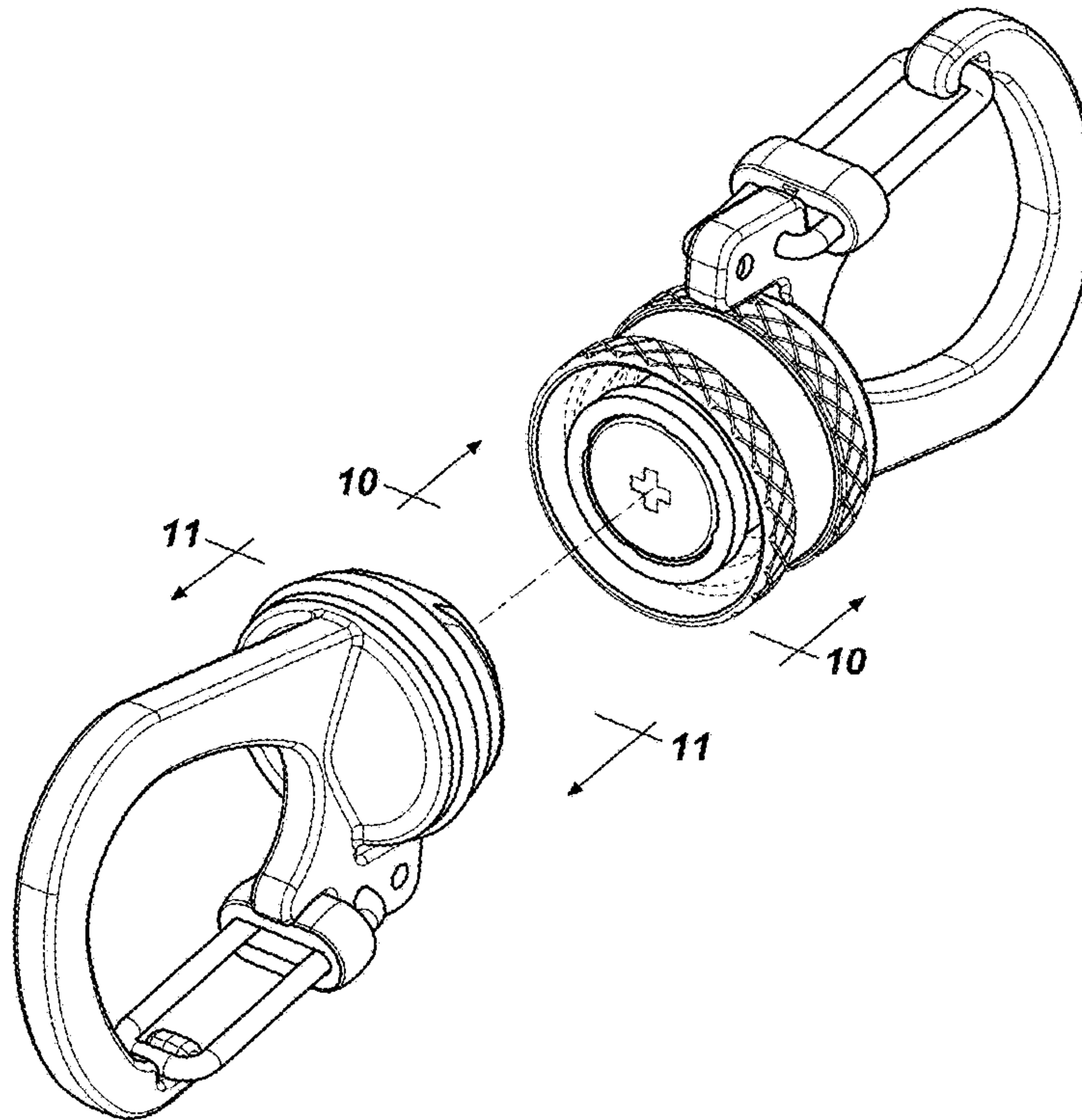


FIG. 10

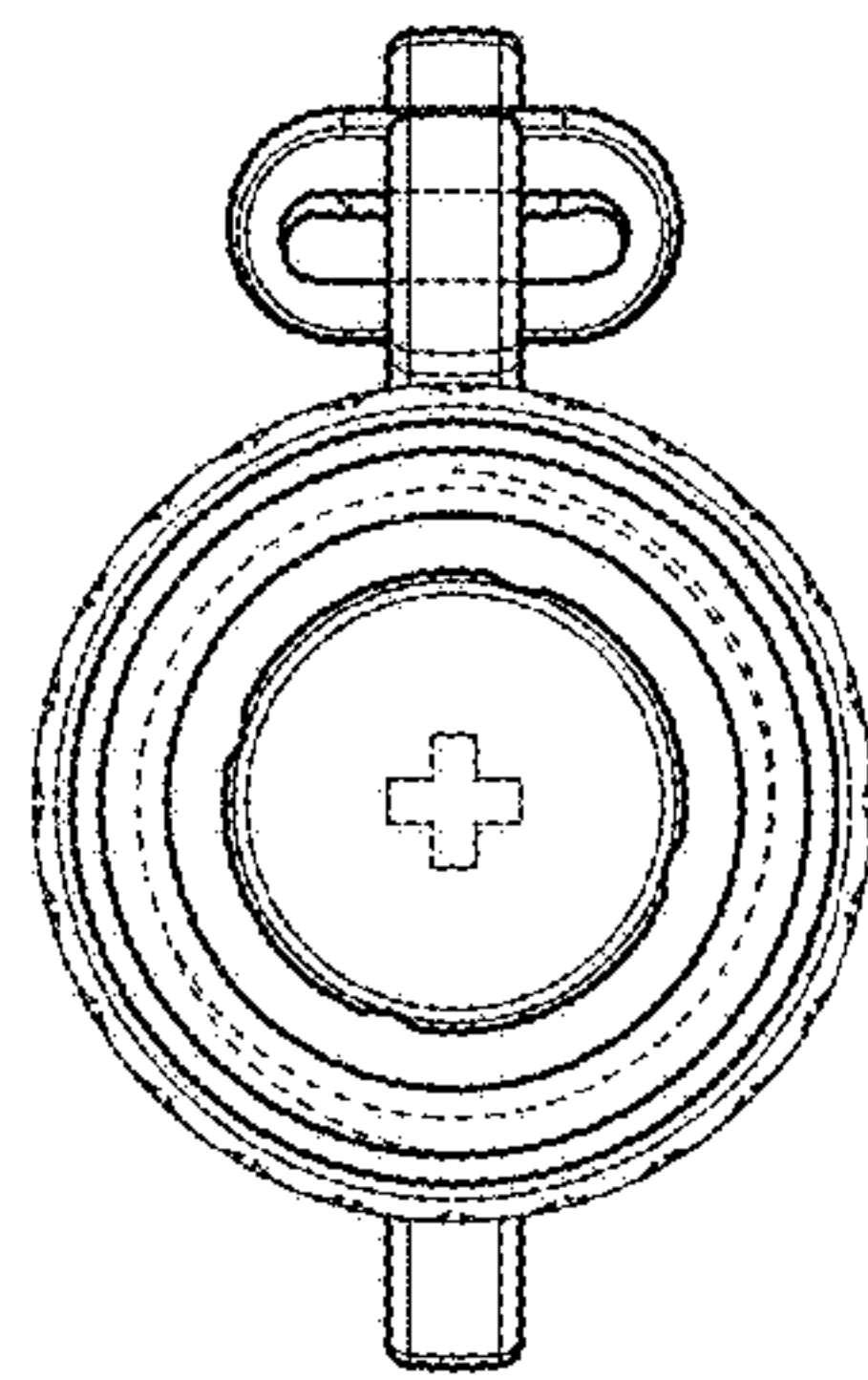


FIG. 11

