



US00D850236S

(12) **United States Design Patent** (10) **Patent No.:** **US D850,236 S**
Yu (45) **Date of Patent:** **** Jun. 4, 2019**

(54) **HANDLE** 85/12; E05B 85/10; E05B 7/00; E05B 1/0053; E05B 77/265

(71) Applicant: **TAIWAN FU HSING INDUSTRIAL CO., LTD.**, Kaohsiung (TW) See application file for complete search history.

(72) Inventor: **Sheng-Shun Yu**, Kaohsiung (TW)

(73) Assignee: **TAIWAN FU HSING INDUSTRIAL CO., LTD.**, Kaohsiung (TW)

(**) Term: **15 Years**

(21) Appl. No.: **29/642,834**

(22) Filed: **Apr. 2, 2018**

(30) **Foreign Application Priority Data**

Nov. 10, 2017 (TW) 106306607

(51) **LOC (11) Cl.** **08-06**

(52) **U.S. Cl.**
USPC **D8/308**

(58) **Field of Classification Search**
USPC D8/300-302, 307-309, 310, 311, 10; D23/250, 252
CPC Y10T 16/44; Y10T 74/20612; Y10T 74/20732; Y10T 16/458; Y10T 16/498; Y10T 16/469; Y10T 16/476; Y10T 74/20744; Y10T 74/20864; Y10T 16/4628; Y10T 74/20642; Y10T 16/473; Y10T 74/20762; Y10T 74/2042; Y10T 74/20828; Y10T 16/459; Y10T 16/4713; Y10T 74/2014; Y10T 16/50; Y10T 74/20438; Y10T 74/20582; Y10T 74/20738; Y10T 16/48; Y10T 74/20618; Y10T 74/20684; Y10T 74/20624; Y10T 74/20468; Y10T 16/61; Y10T 16/4719; Y10T 16/86; Y10S 16/30; Y10S 292/31; Y10S 292/53; Y10S 16/12; Y10S 292/23; Y10S 292/27; Y10S 292/30; Y10S 292/63; E05B 85/16; E05B 1/0015; E05B 77/06; E05B 79/06; E05B 85/18; E05B

(56) **References Cited**

U.S. PATENT DOCUMENTS

D65,214 S * 7/1924 Auld D8/308
D81,761 S * 8/1930 Schnell D8/308
D91,088 S * 11/1933 Schnell D8/308
2,729,485 A * 1/1956 Schlage E05B 3/065
267/150
D315,087 S * 3/1991 Jans D8/308

(Continued)

FOREIGN PATENT DOCUMENTS

TW D159259 3/2014
TW D169367 8/2015

OTHER PUBLICATIONS

Taiwanese Notice of Allowance dated May 1, 2018 for Taiwanese Design Patent Application No. 106306607, 3 pages.

Primary Examiner — Lauren R Calve
(74) *Attorney, Agent, or Firm* — Jackson IPG PLLC; Demian K. Jackson

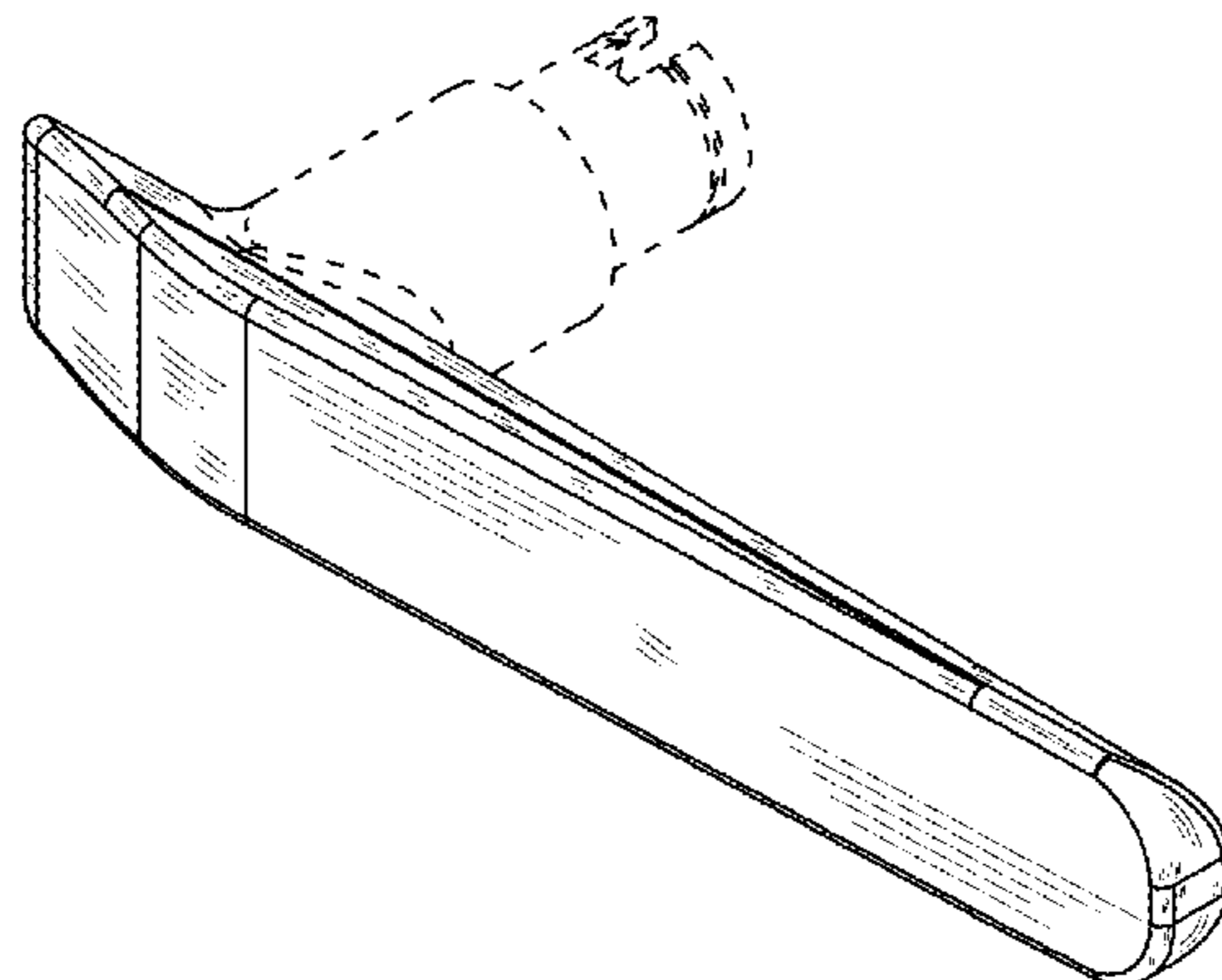
(57) **CLAIM**

The ornamental design for a handle, as shown and described.

DESCRIPTION

FIG. 1 is a perspective view of a handle showing my new design;
FIG. 2 is a front view thereof;
FIG. 3 is a rear view thereof;
FIG. 4 is a left side view thereof;
FIG. 5 is a right side view thereof;
FIG. 6 is a top view thereof; and,
FIG. 7 is a bottom view thereof.

(Continued)



The broken lines shown represent unclaimed subject matter and form no part of the claimed design.

1 Claim, 4 Drawing Sheets

(56)

References Cited

U.S. PATENT DOCUMENTS

D520,855 S *	5/2006	Osiecki	D8/308
D532,279 S *	11/2006	Bouroullec	D8/308
D725,992 S *	4/2015	Scheffler	D8/300
D811,193 S *	2/2018	Hsu	D8/308
D824,235 S *	7/2018	Schneider	D8/308
D828,741 S *	9/2018	Shargh	D8/308
2004/0169379 A1 *	9/2004	Hemping	E05B 1/003 292/336.3
2017/0107739 A1 *	4/2017	Ruff	E05B 17/22

* cited by examiner

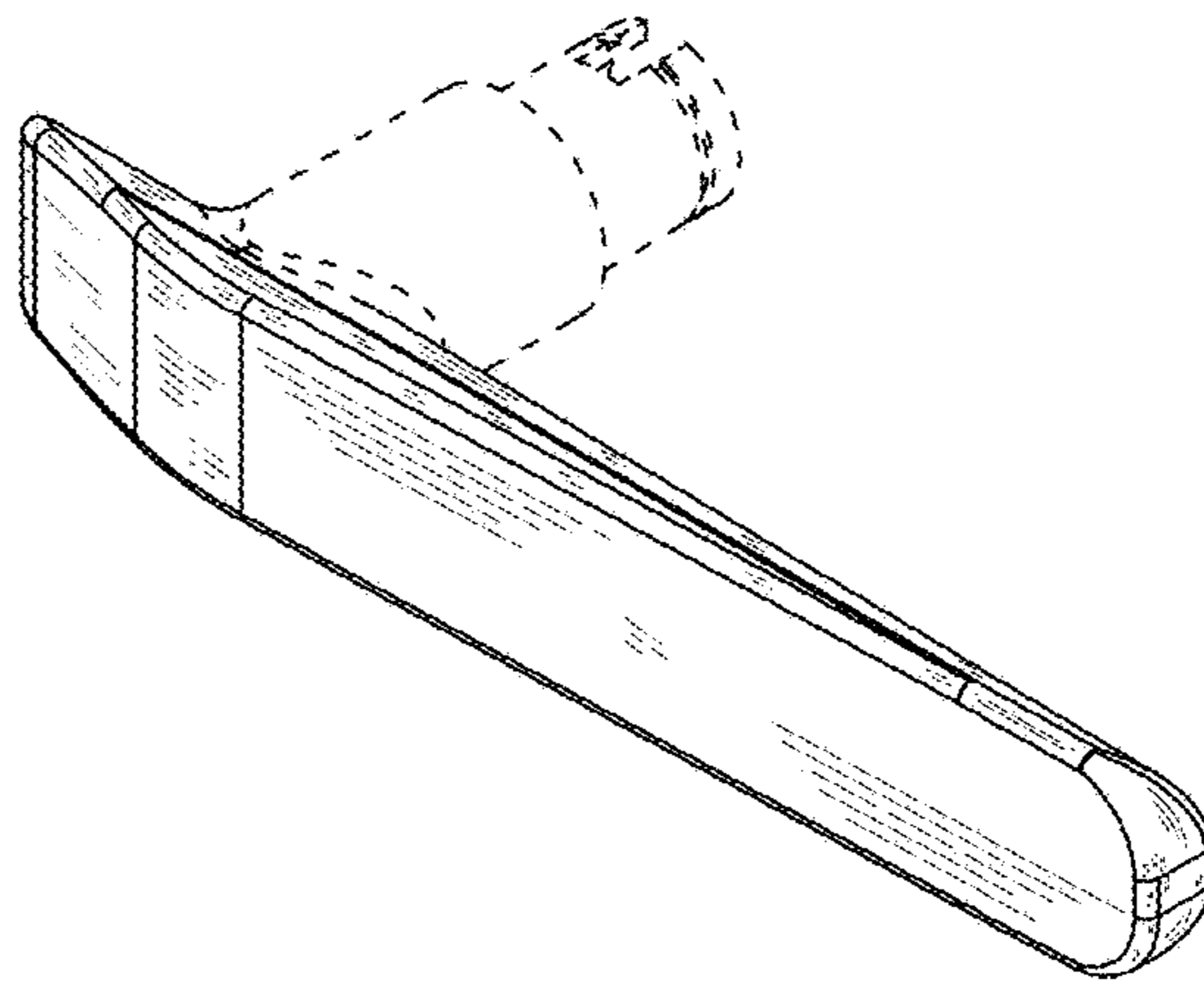


FIG. 1



FIG. 2

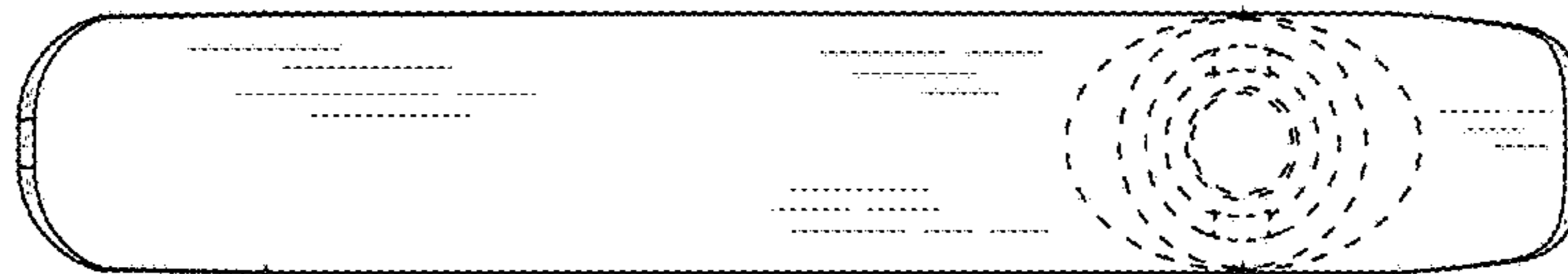


FIG. 3

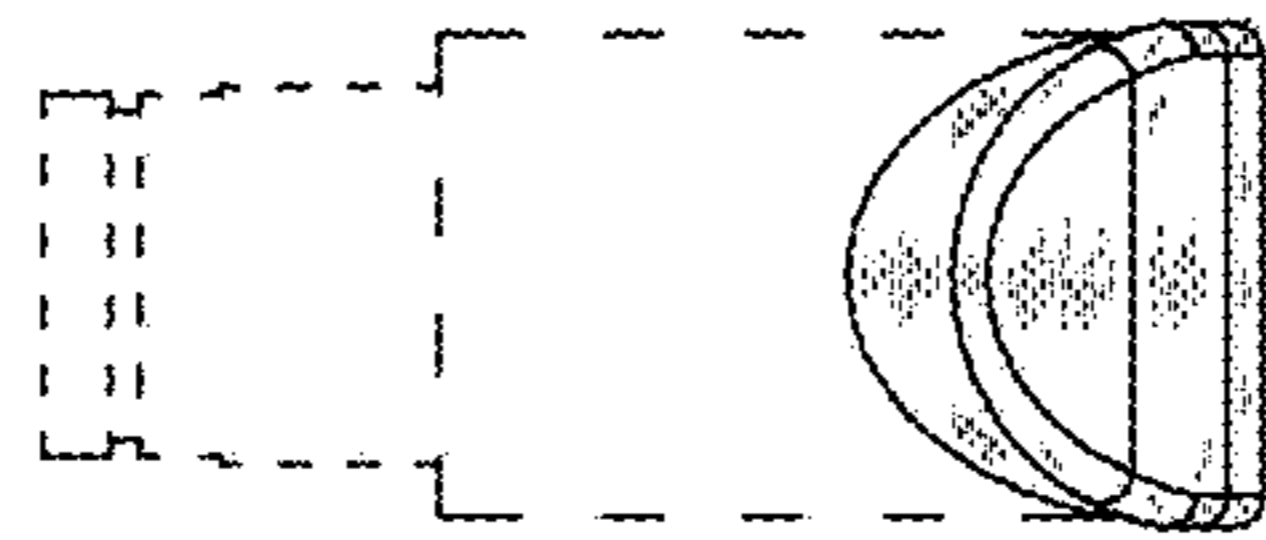


FIG. 4

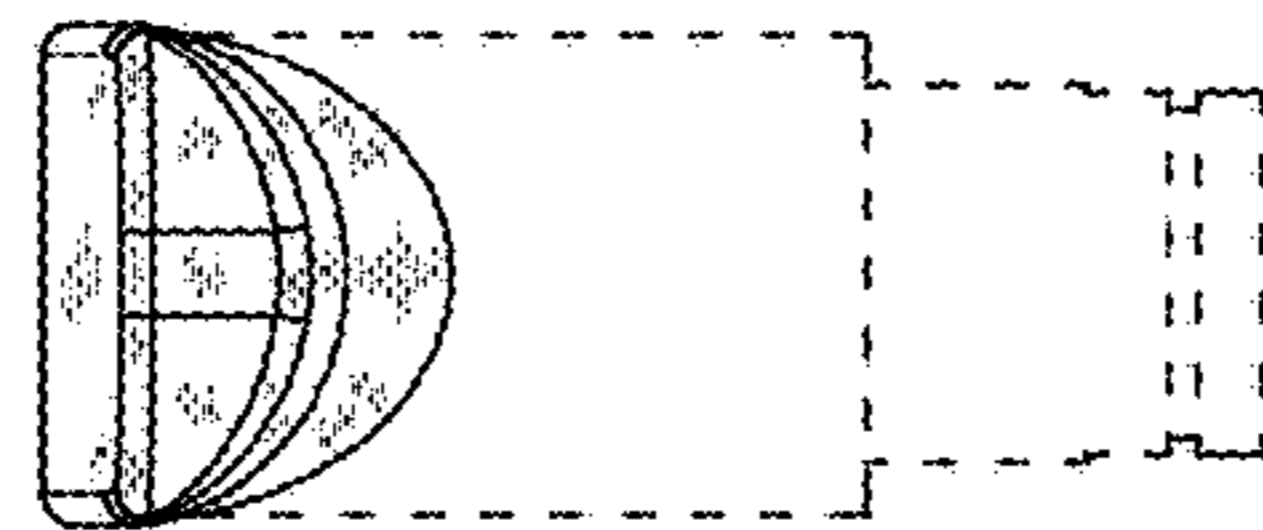


FIG. 5

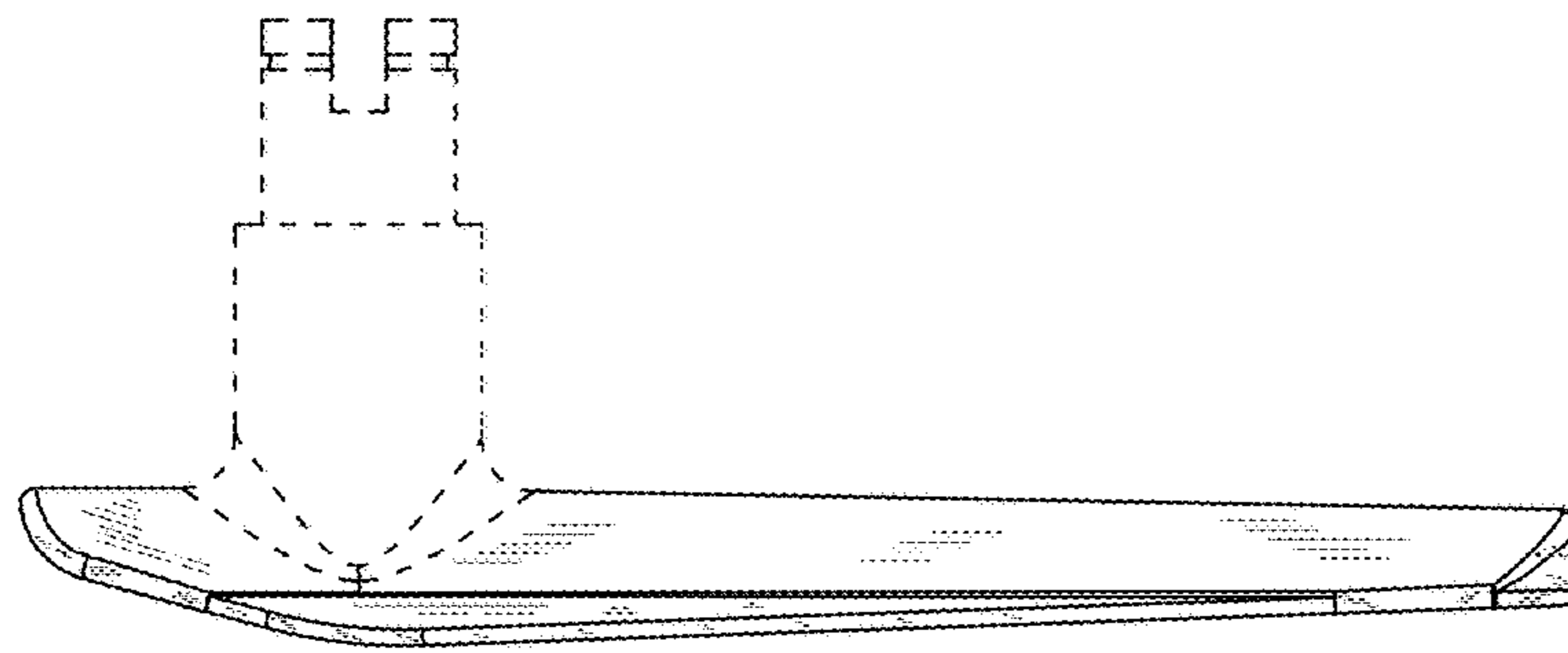


FIG. 6

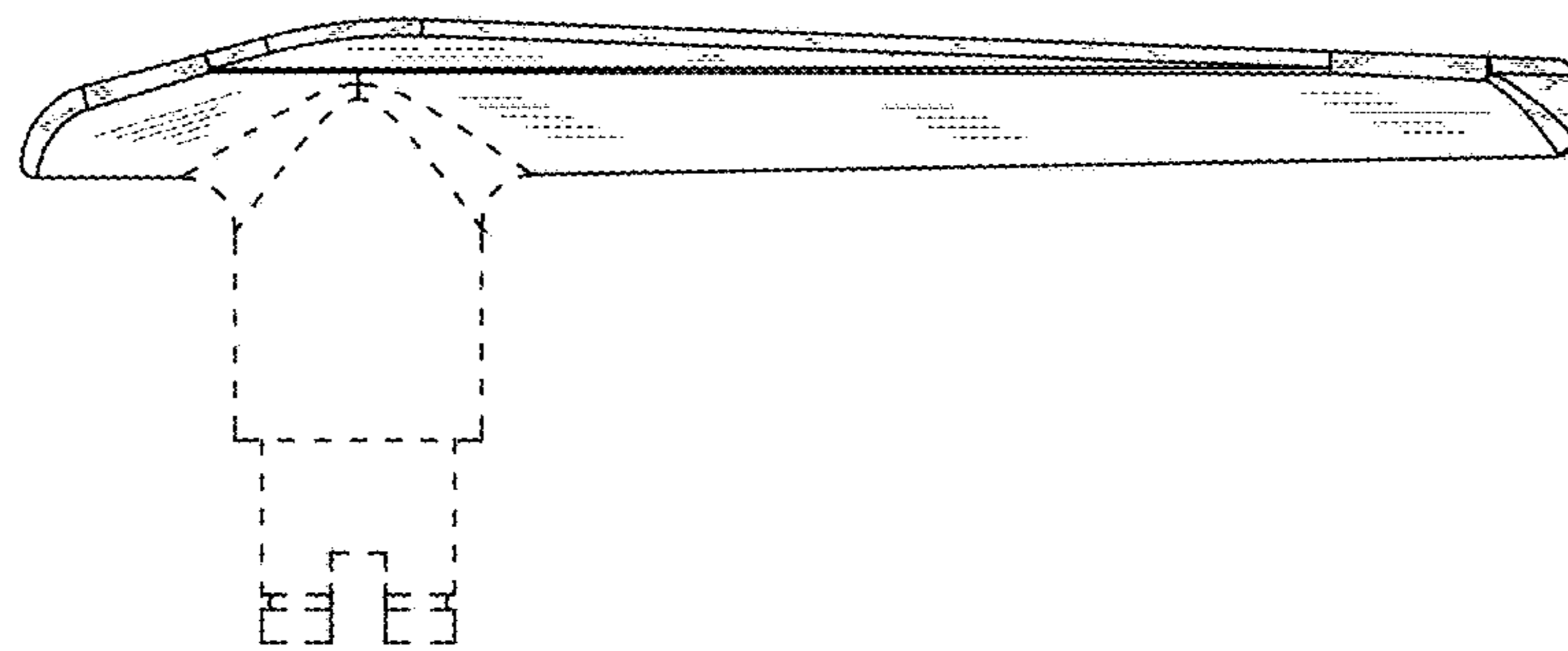


FIG. 7