



US00D850235S

(12) **United States Design Patent** (10) **Patent No.:** **US D850,235 S**
Lindo (45) **Date of Patent:** **** Jun. 4, 2019**

(54) **ACTUATOR KNOB FOR ROD AND TUBE ASSEMBLY**

(71) Applicant: **Southco, Inc.**, Concordville, PA (US)

(72) Inventor: **Benjamin Gerald Lindo**, Philadelphia, PA (US)

(73) Assignee: **Southco, Inc.**, Concordville, PA (US)

(**) Term: **15 Years**

(21) Appl. No.: **29/555,911**

(22) Filed: **Feb. 25, 2016**

(51) **LOC (11) Cl.** **08-06**

(52) **U.S. Cl.**
USPC **D8/303; D8/302**

(58) **Field of Classification Search**
USPC D8/107, 300, 302, 303, 307; D14/412, D14/415, 416; D15/10; D12/179
CPC H01H 13/14; H01H 25/041; H01H 25/008; H01H 2221/012; H01H 2025/043; H01H 13/705; H01H 2025/046; H01H 2239/006; H01H 2215/006; H01H 2003/0293; H01H 3/12; H01H 13/84; H01H 2205/002; H01H 9/0214; H01H 9/0235; B62D 1/12; B62D 11/183; B62D 1/046; B62D 11/006; Y10T 74/20201; Y10T 74/20012; Y10T 74/20396; Y10T 74/20256; Y10T 74/20612; Y10T 74/20073; Y10T 137/87072; Y10T 74/20207; Y10T 74/2014; Y10T 74/2042; G05G 9/047; G05G 2009/04774
See application file for complete search history.

(56) **References Cited**

U.S. PATENT DOCUMENTS

D187,842 S * 5/1960 Jeys D3/16
D188,534 S * 8/1960 Howard D12/179
D393,583 S * 4/1998 Nagano D8/303

D409,463 S * 5/1999 McMullin D8/21
5,988,587 A * 11/1999 Duchon G05G 1/04
251/129.04
D441,632 S * 5/2001 Raab D8/107
D572,563 S * 7/2008 McRoberts D8/107
D633,355 S * 3/2011 McCray D8/107
8,042,427 B2 * 10/2011 Kawakami B62K 23/06
74/489
D672,544 S * 12/2012 Muller D3/10
D743,238 S * 11/2015 Badollet D8/303
D771,466 S * 11/2016 Cote D8/107
D782,897 S * 4/2017 Harvey D8/303

(Continued)

OTHER PUBLICATIONS

Japanese Office Action dated Sep. 6, 2016 for Japanese Application No. 2016-018089, including translation, 2 pages.

Primary Examiner — Lauren R Calve

(74) *Attorney, Agent, or Firm* — RatnerPrestia

(57) **CLAIM**

The ornamental design for an actuator knob for a rod and tube assembly, as shown and described.

DESCRIPTION

FIG. 1 is a top isometric view of an actuator knob for rod and tube assembly;

FIG. 2 is a bottom isometric view thereof;

FIG. 3 is a top view thereof;

FIG. 4 is a bottom view thereof;

FIG. 5 is a front view thereof;

FIG. 6 is a rear view thereof;

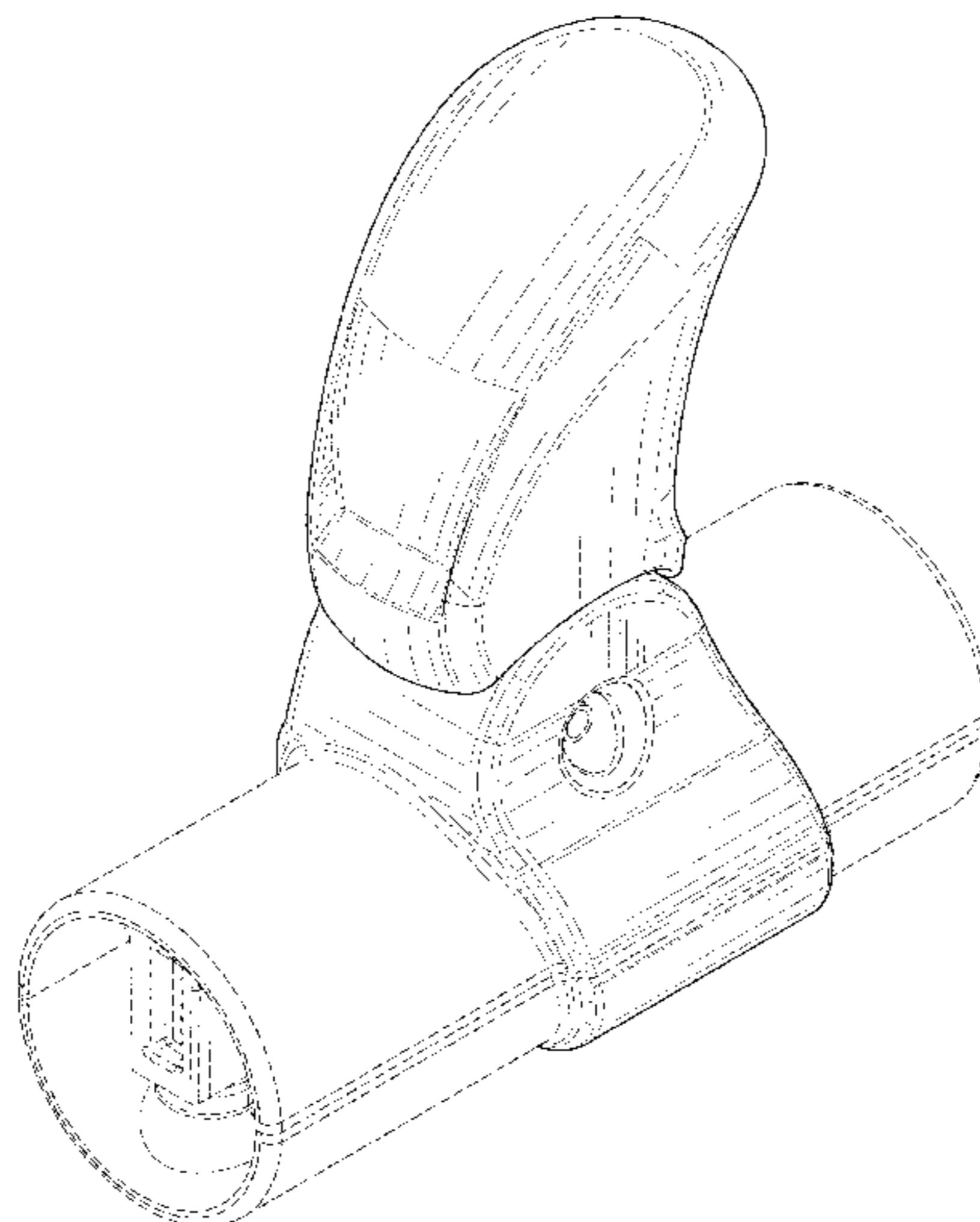
FIG. 7 is a right side view thereof;

FIG. 8 is a left side view thereof; and,

FIG. 9 is a right side view thereof shown in an alternate position.

The broken line showing of the knob is for the purpose of illustrating portions of the knob and forms no part of the claimed design.

1 Claim, 7 Drawing Sheets



(56)

References Cited

U.S. PATENT DOCUMENTS

2012/0137821 A1* 6/2012 Badollet B62K 21/26
74/551.9
2013/0263438 A1* 10/2013 Burns A61B 8/44
29/592.1
2013/0276844 A1* 10/2013 Moulton A61H 3/02
135/67
2014/0310917 A1* 10/2014 Harvey B25G 1/01
16/421
2015/0362064 A1* 12/2015 Nishijima G05G 1/06
74/473.3
2016/0023262 A1* 1/2016 Chen B21D 43/003
72/393
2018/0004310 A1* 1/2018 Drum G06F 3/0338

* cited by examiner

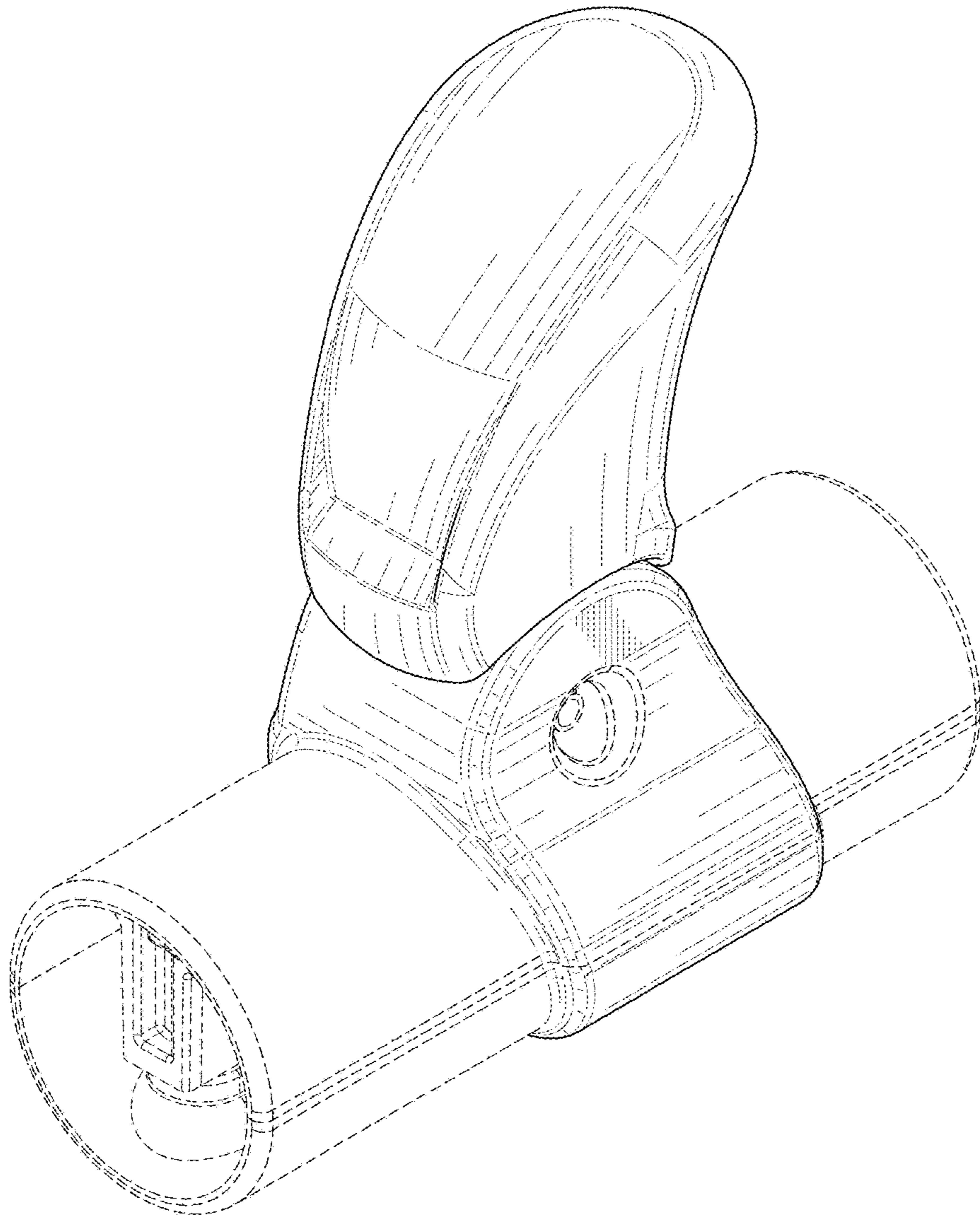


FIG. 1

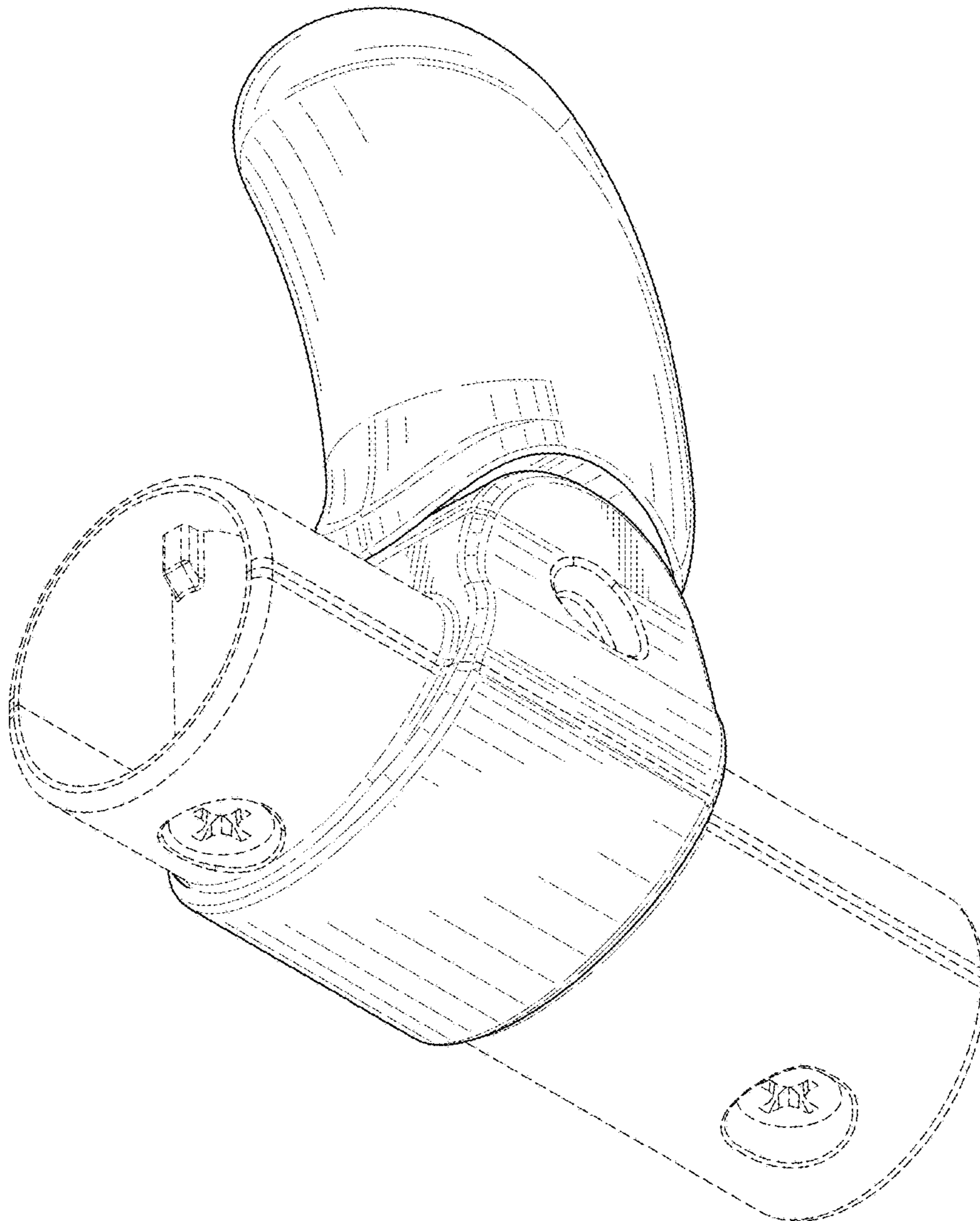


FIG. 2

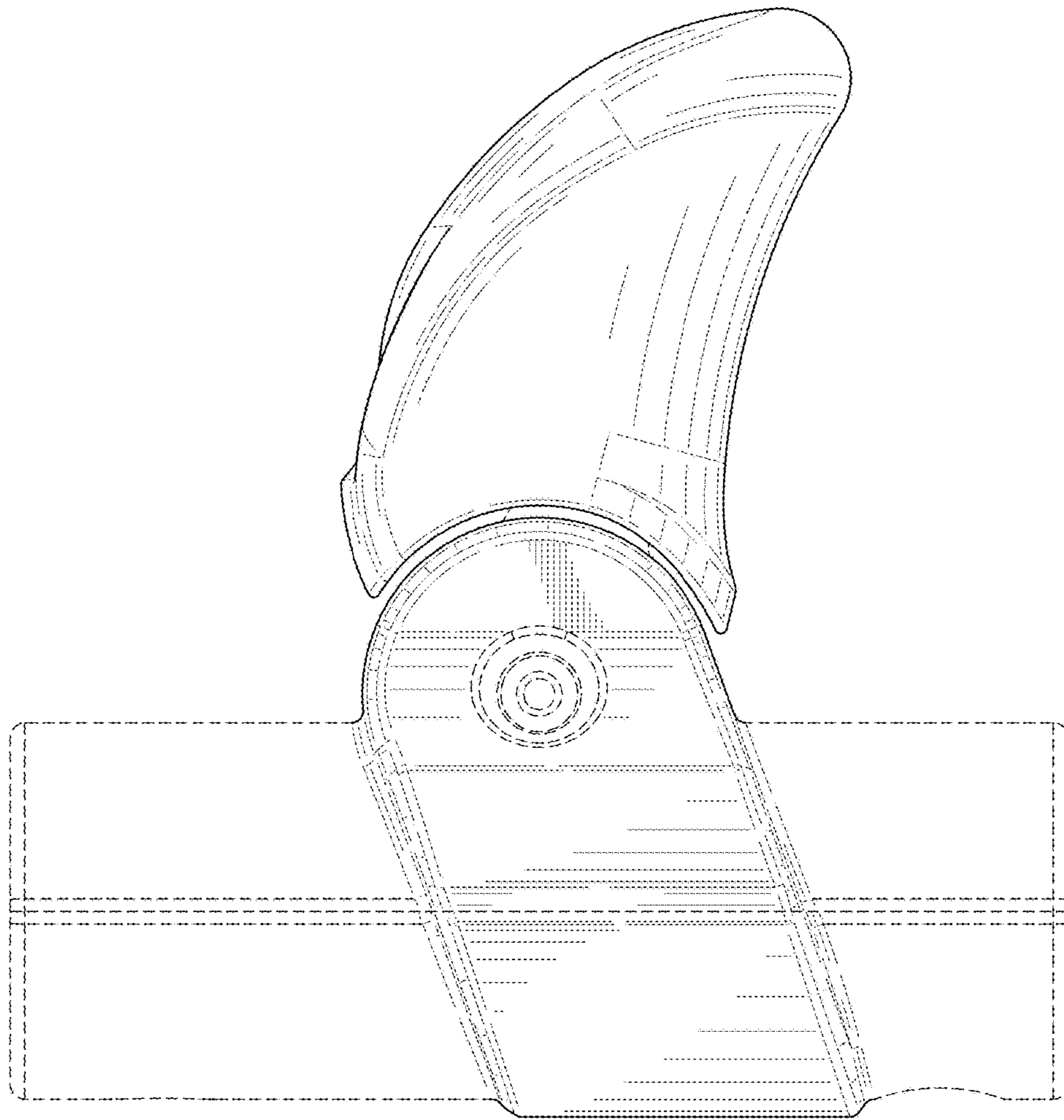


FIG. 3

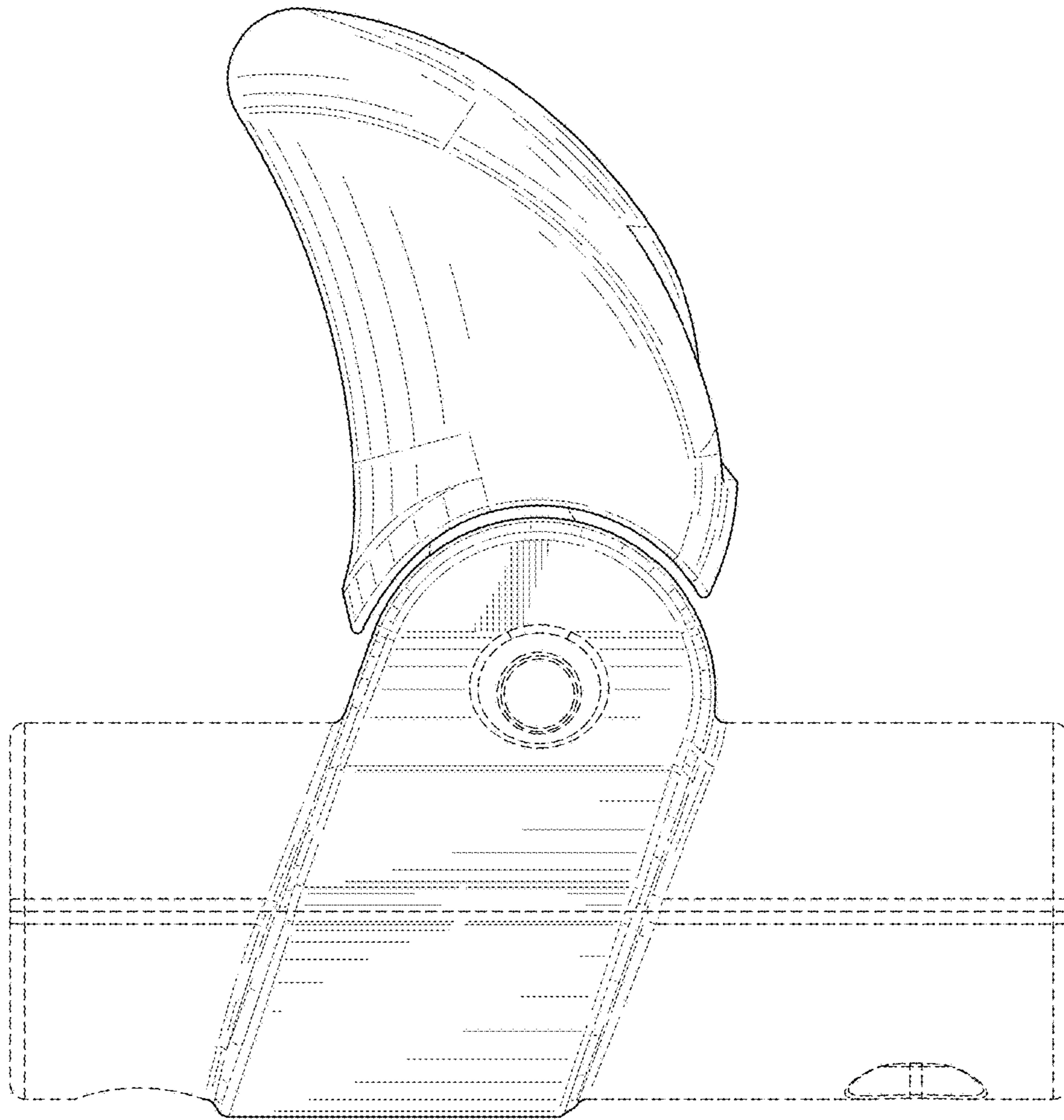


FIG. 4

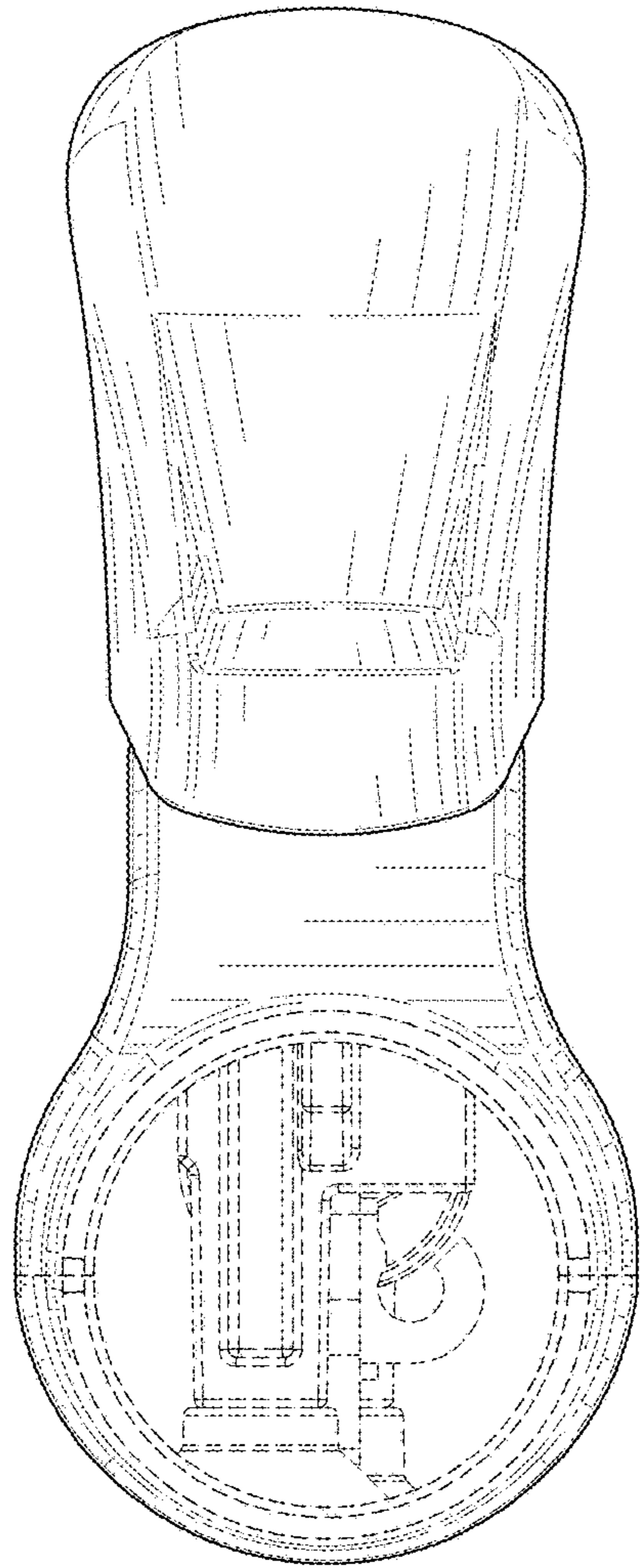


FIG. 5

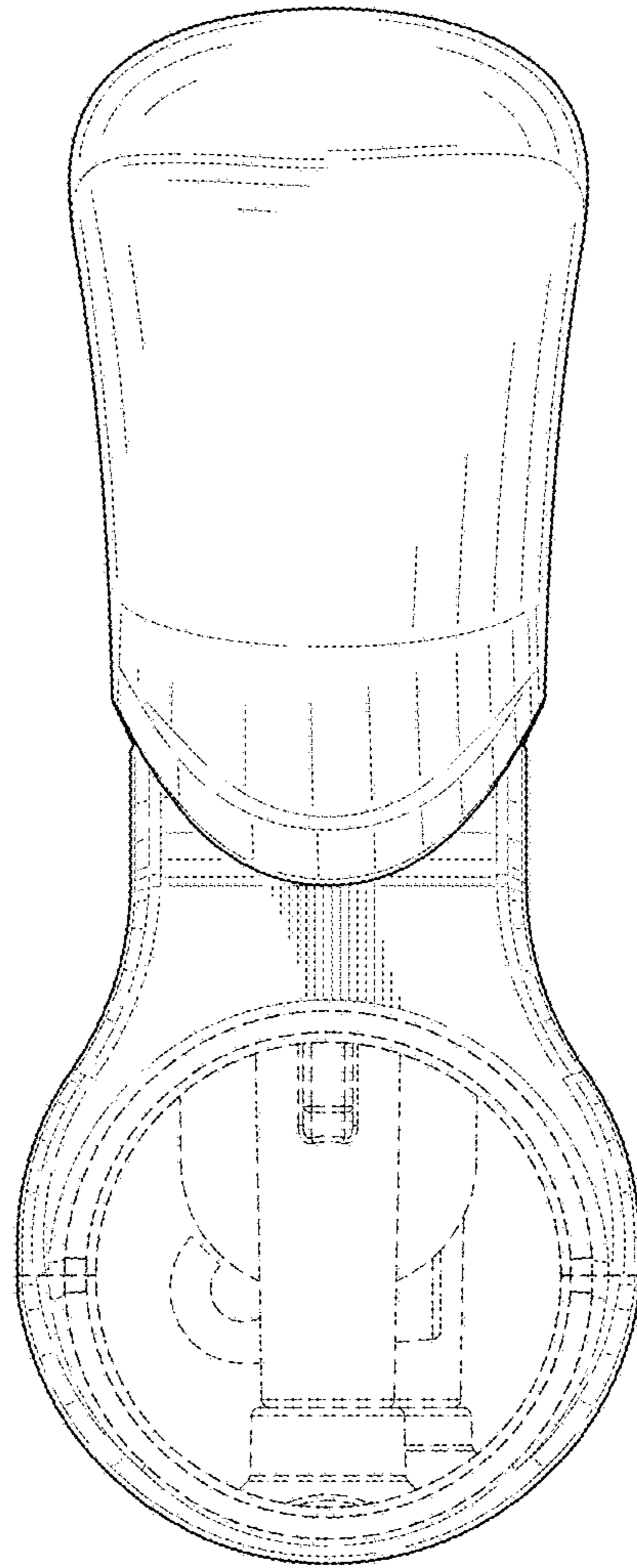


FIG. 6

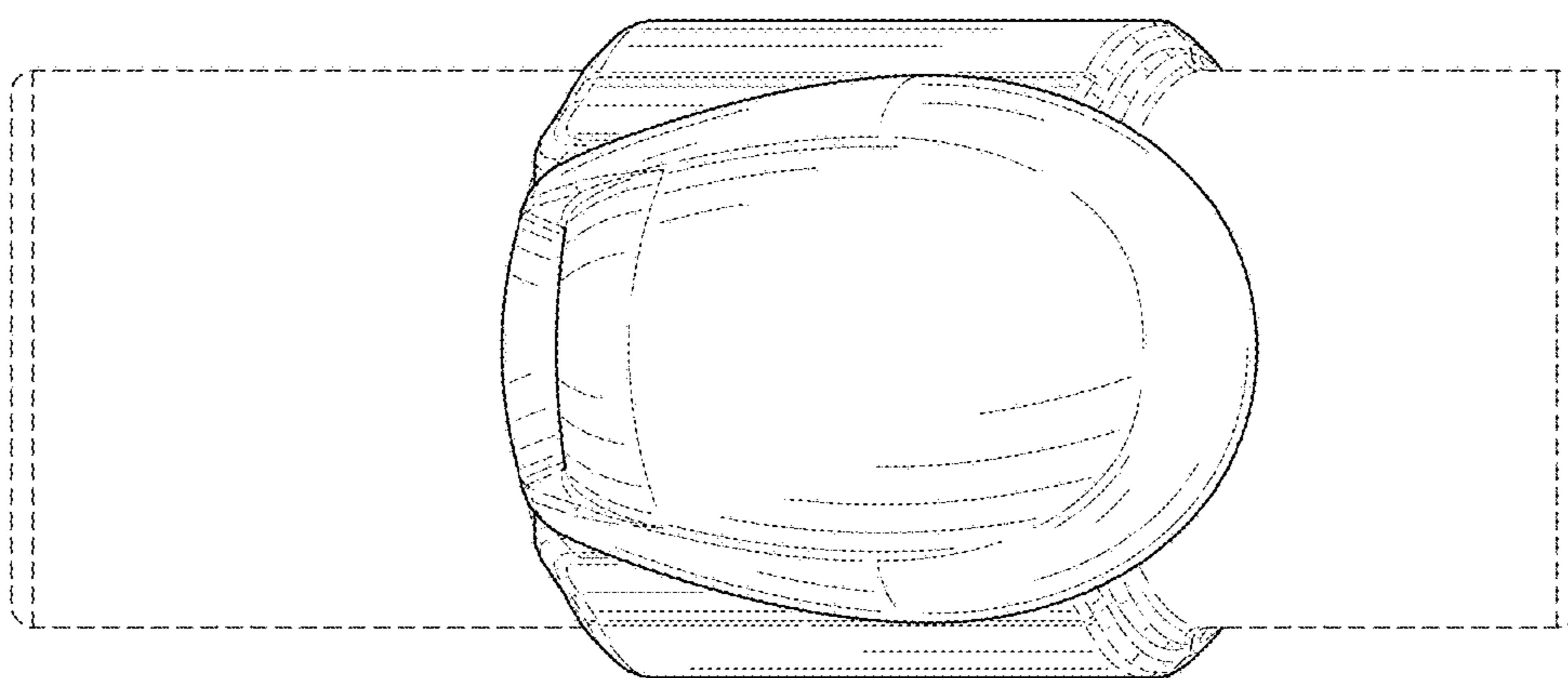


FIG. 7

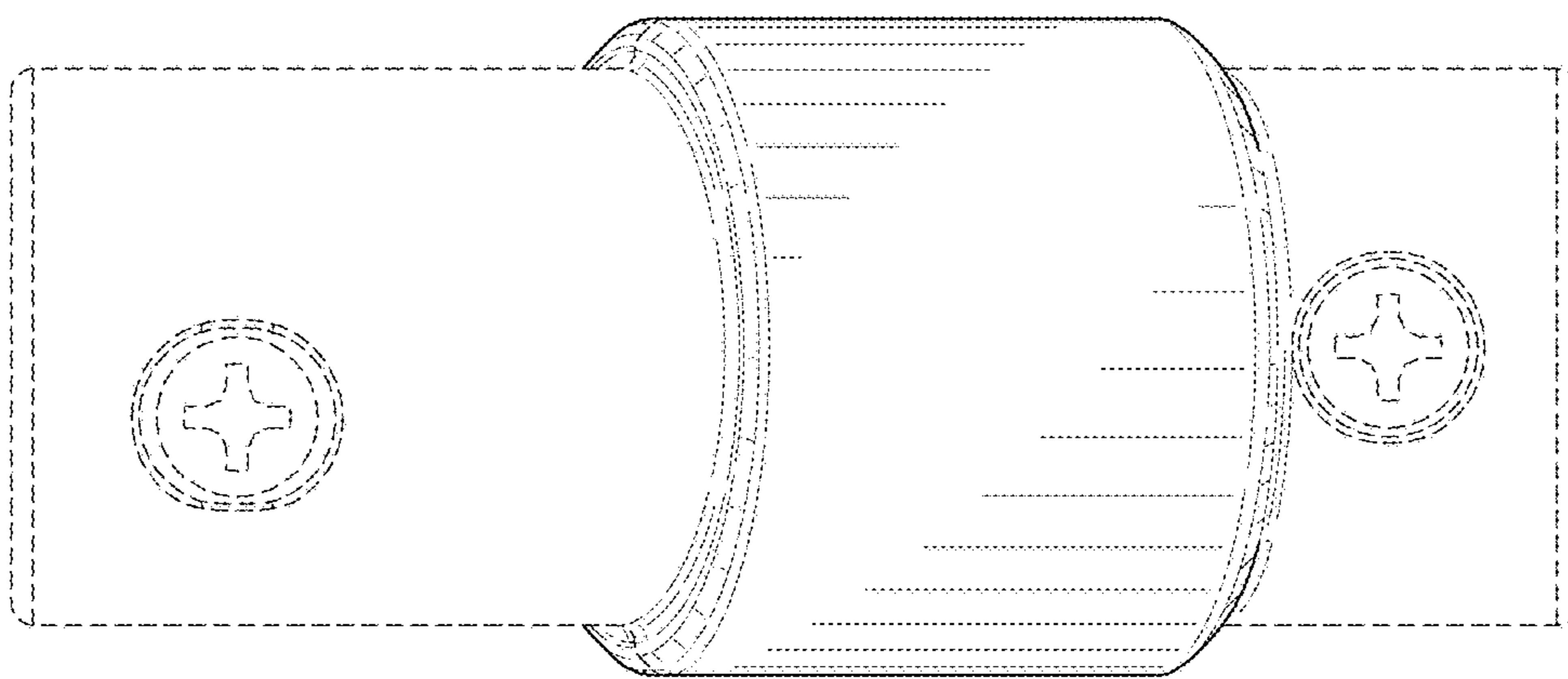


FIG. 8

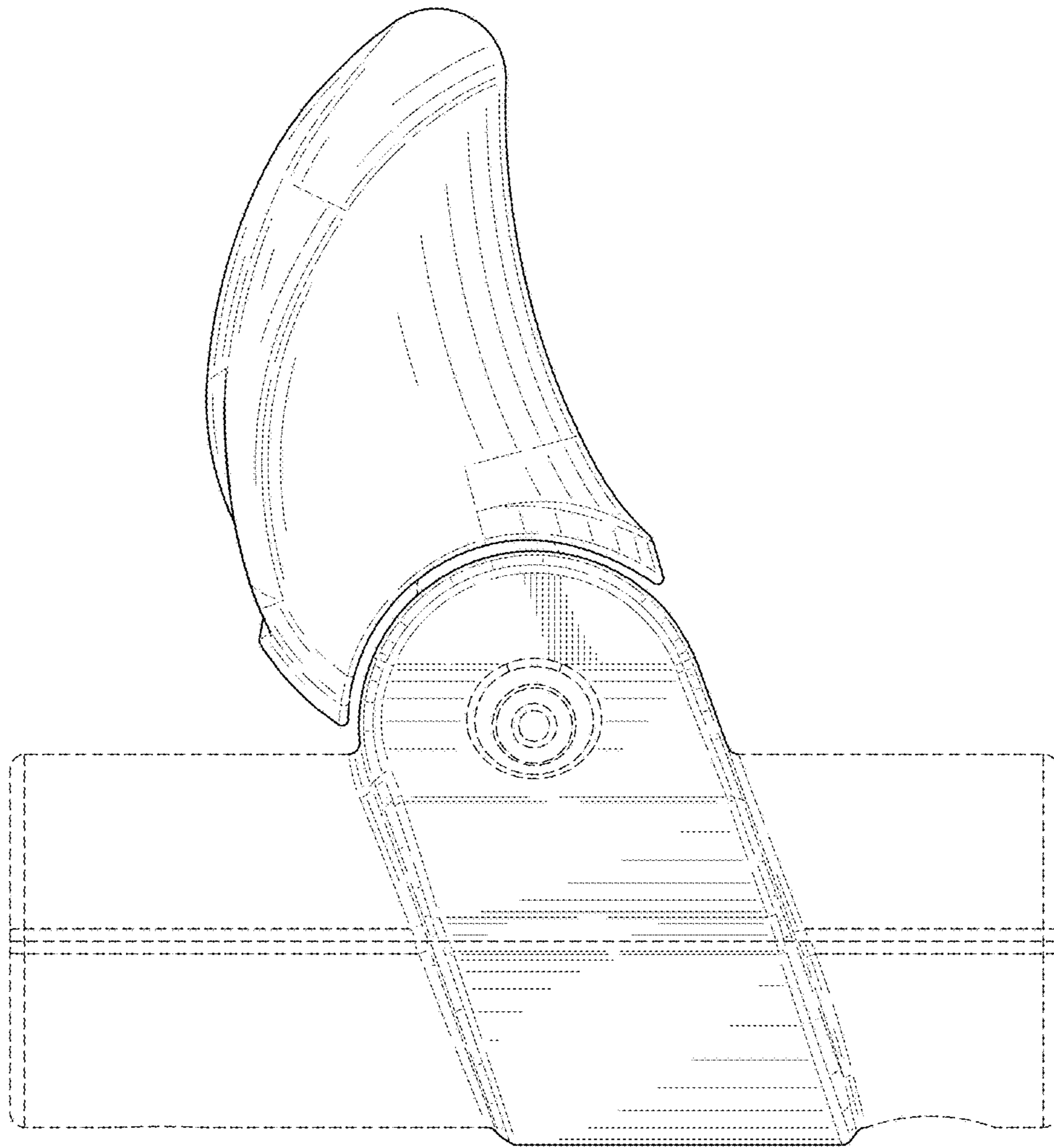


FIG. 9