



US00D850234S

(12) **United States Design Patent**  
**Heine et al.**

(10) **Patent No.:** **US D850,234 S**

(45) **Date of Patent:** **\*\* Jun. 4, 2019**

(54) **HANDLE FOR A CUTTING TOOL FOR TREE PRUNING**

(71) Applicant: **Fiskars Finland Oy Ab**, Helsinki (FI)

(72) Inventors: **Mikko Heine**, Helsinki (FI); **Kari Kunnas**, Helsinki (FI); **Sami Lyytikäinen**, Helsinki (FI); **Petteri Masalin**, Helsinki (FI)

(73) Assignee: **Fiskars Finland Oy Ab**, Helsinki (FI)

(\*\*) Term: **15 Years**

(21) Appl. No.: **29/602,507**

(22) Filed: **May 1, 2017**

(30) **Foreign Application Priority Data**

Nov. 7, 2016 (EM) ..... 003451434

(51) **LOC (11) Cl.** ..... **08-06**

(52) **U.S. Cl.**  
USPC ..... **D8/107**

(58) **Field of Classification Search**  
USPC ..... D8/1, 4, 5, 51, 52, 53, 54, 56, 58, 107  
CPC ..... A01G 3/02; A01G 3/021; A01G 3/0475;  
A01G 3/025; A01G 3/0255; A01G  
3/0335; A01G 3/033; A01G 3/037; A01G  
3/08; A01G 3/081; A01G 3/083; A01G  
3/085; B25G 1/00; B25G 3/02; B25G  
3/04; B25G 3/28; B26B 15/00  
See application file for complete search history.

(56) **References Cited**

**U.S. PATENT DOCUMENTS**

875,159 A \* 12/1907 Crow ..... B25G 3/02  
285/404  
967,502 A \* 8/1910 Cooper ..... B25G 1/00  
279/99

1,557,853 A \* 10/1925 Lipscomb ..... B25G 1/00  
81/492  
1,697,749 A \* 1/1929 Billings ..... B25D 7/00  
125/43  
2,795,034 A \* 6/1957 Forgette ..... B25G 1/00  
279/102  
D295,017 S \* 4/1988 Evenson ..... D8/107  
4,949,461 A 8/1990 Van Der Merwe et al.  
D321,816 S 11/1991 Fushiya et al.  
D329,796 S \* 9/1992 Olson ..... D8/107  
D367,416 S \* 2/1996 Gustafson ..... D8/107  
D379,422 S \* 5/1997 Yates ..... D8/1  
5,950,315 A 9/1999 Linden  
D429,130 S \* 8/2000 Fallandy ..... D8/51  
D487,386 S 3/2004 Clivio  
6,748,663 B2 6/2004 Linden  
D494,039 S \* 8/2004 Tsai ..... D8/107  
D519,821 S \* 5/2006 Tsai ..... D8/107  
D551,530 S \* 9/2007 Hirsch ..... D8/107

(Continued)

*Primary Examiner* — Sandra S Snapp

*Assistant Examiner* — Ieisha N Price

(74) *Attorney, Agent, or Firm* — Leason Ellis LLP

(57) **CLAIM**

We claim the ornamental design for a handle for a cutting tool for tree pruning, as shown and described.

**DESCRIPTION**

FIG. 1 is a top perspective view of an embodiment of the claimed design;

FIG. 2 is front view thereof;

FIG. 3 is a rear view thereof;

FIG. 4 is a left side view thereof;

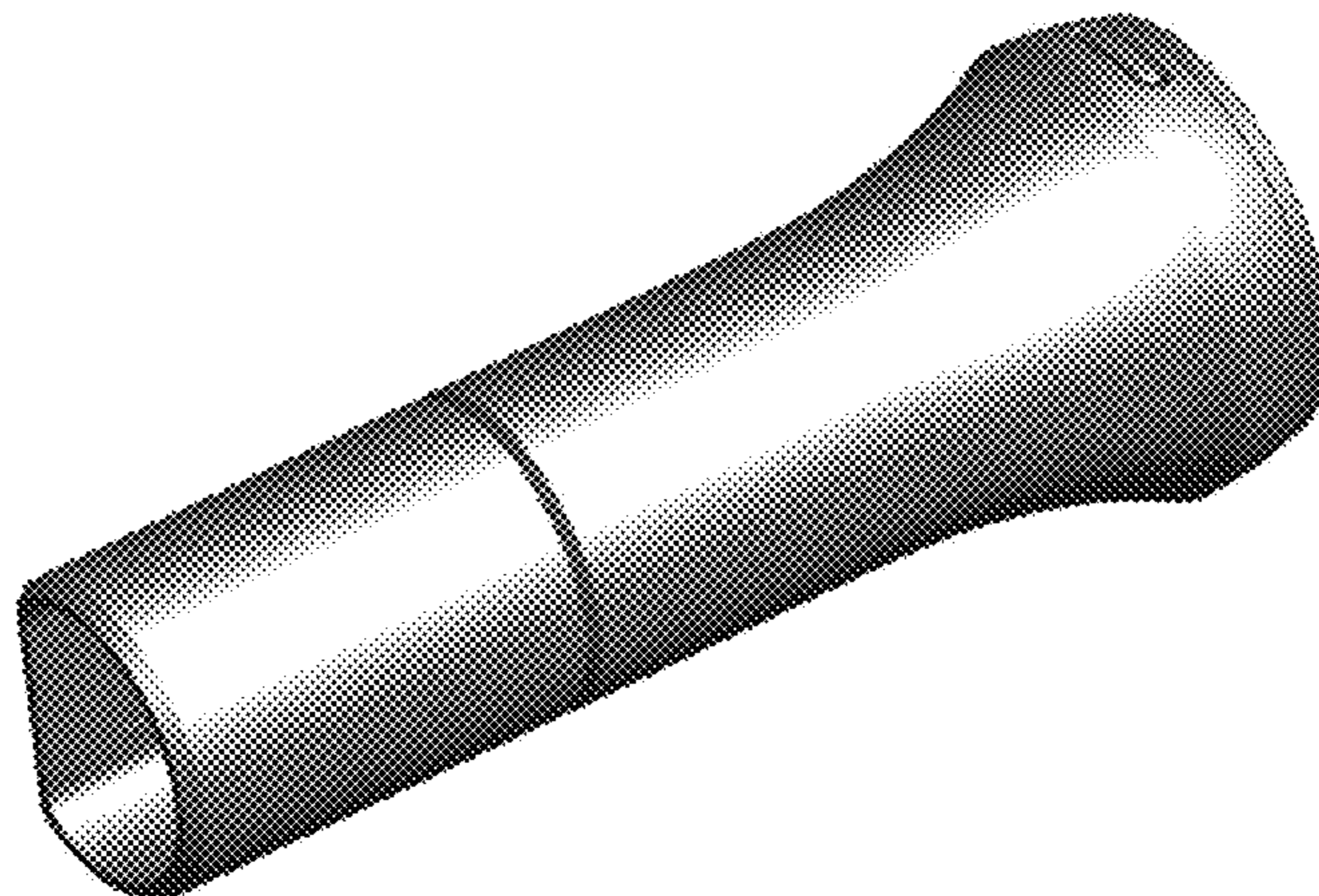
FIG. 5 is a right side view thereof;

FIG. 6 is a top view thereof; and,

FIG. 7 is a bottom view thereof.

The superimposed areas, encased in broken lines, in the drawings illustrate portions of the handle for a cutting tool for tree pruning and form no part of the claimed design.

**1 Claim, 6 Drawing Sheets**



(56)

## References Cited

## U.S. PATENT DOCUMENTS

D570,659 S \* 6/2008 Lin ..... D8/51  
D592,482 S \* 5/2009 Gregory ..... D8/107  
D599,172 S \* 9/2009 Wang ..... D7/642  
D599,626 S \* 9/2009 Wang ..... D7/642  
D630,927 S \* 1/2011 Huang ..... D8/107  
D632,858 S \* 2/2011 Sgroi ..... D32/41  
D636,956 S \* 4/2011 Sgroi, Jr. .... D32/40  
8,069,573 B2 12/2011 Wu  
D655,815 S \* 3/2012 Miller ..... D24/133  
8,683,704 B2 4/2014 Scott et al.  
D743,770 S \* 11/2015 Hsieh ..... D8/107  
D754,517 S \* 4/2016 Henderson ..... D8/107  
D773,276 S \* 12/2016 Ou ..... D8/107  
D806,489 S 1/2018 Fancelli et al.  
9,872,591 B2 \* 1/2018 Casavan ..... A47L 1/16  
2004/0031156 A1 2/2004 Linden  
2004/0055164 A1 3/2004 Molins  
2004/0194320 A1 10/2004 Hsieh  
2006/0225289 A1 \* 10/2006 Glodowski ..... B25G 1/00  
30/294  
2009/0038162 A1 2/2009 Shan  
2010/0186559 A1 \* 7/2010 Pell ..... B25B 23/0021  
81/489  
2010/0199502 A1 8/2010 Linden et al.  
2011/0107606 A1 5/2011 Shan  
2011/0271532 A1 11/2011 Wu  
2012/0167396 A1 7/2012 Wu  
2017/0099780 A1 4/2017 Linden et al.

\* cited by examiner

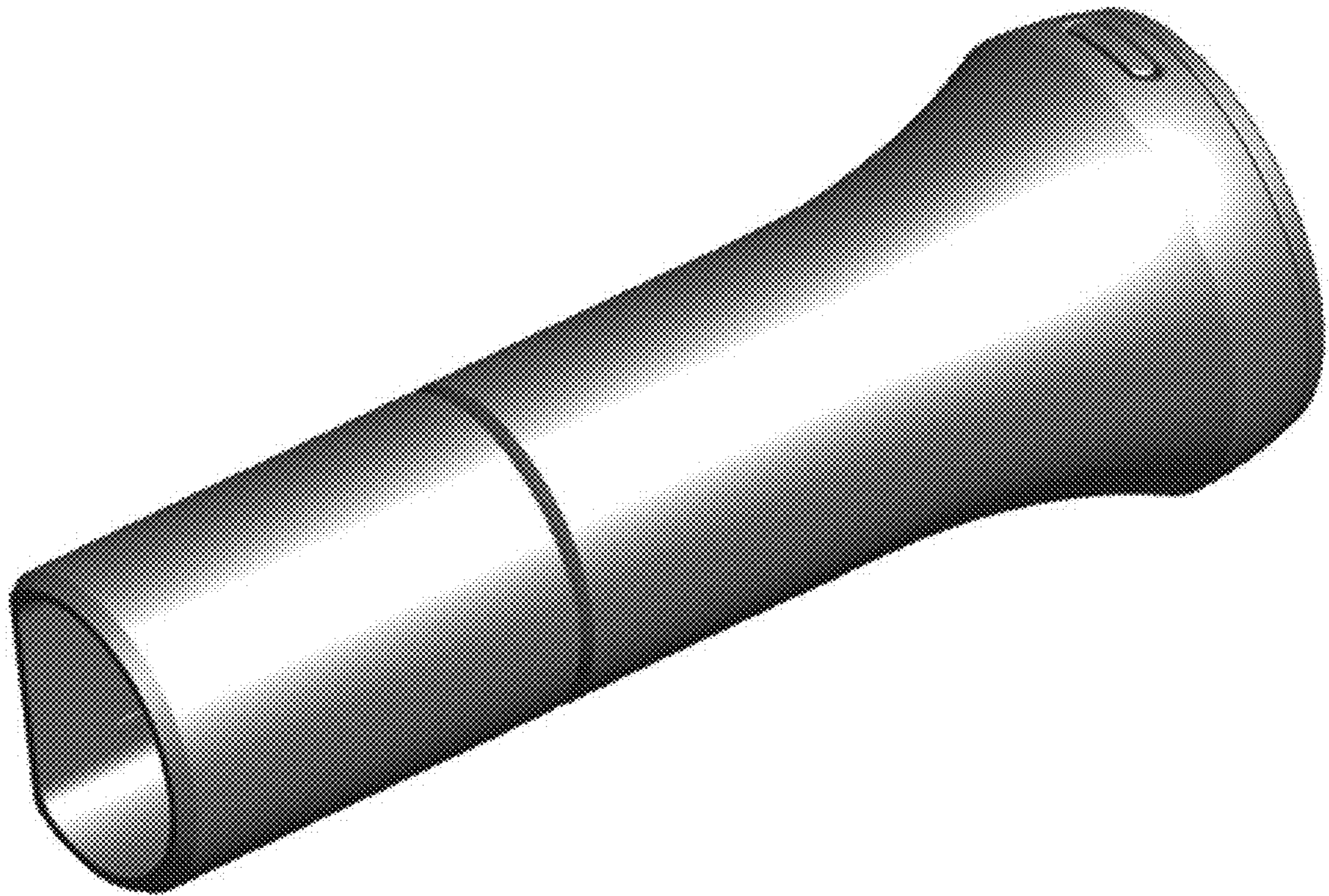


FIG. 1

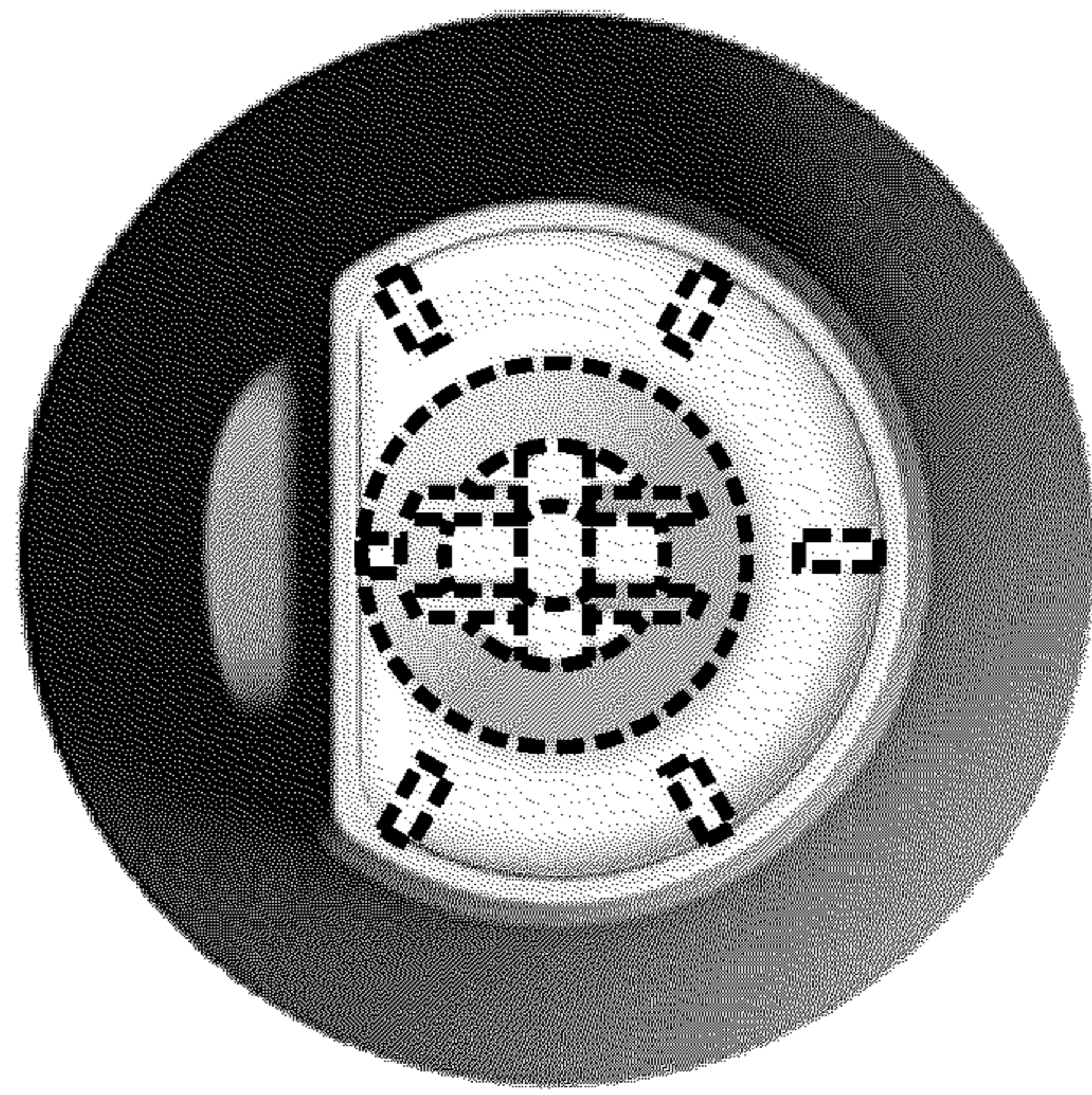


FIG. 2

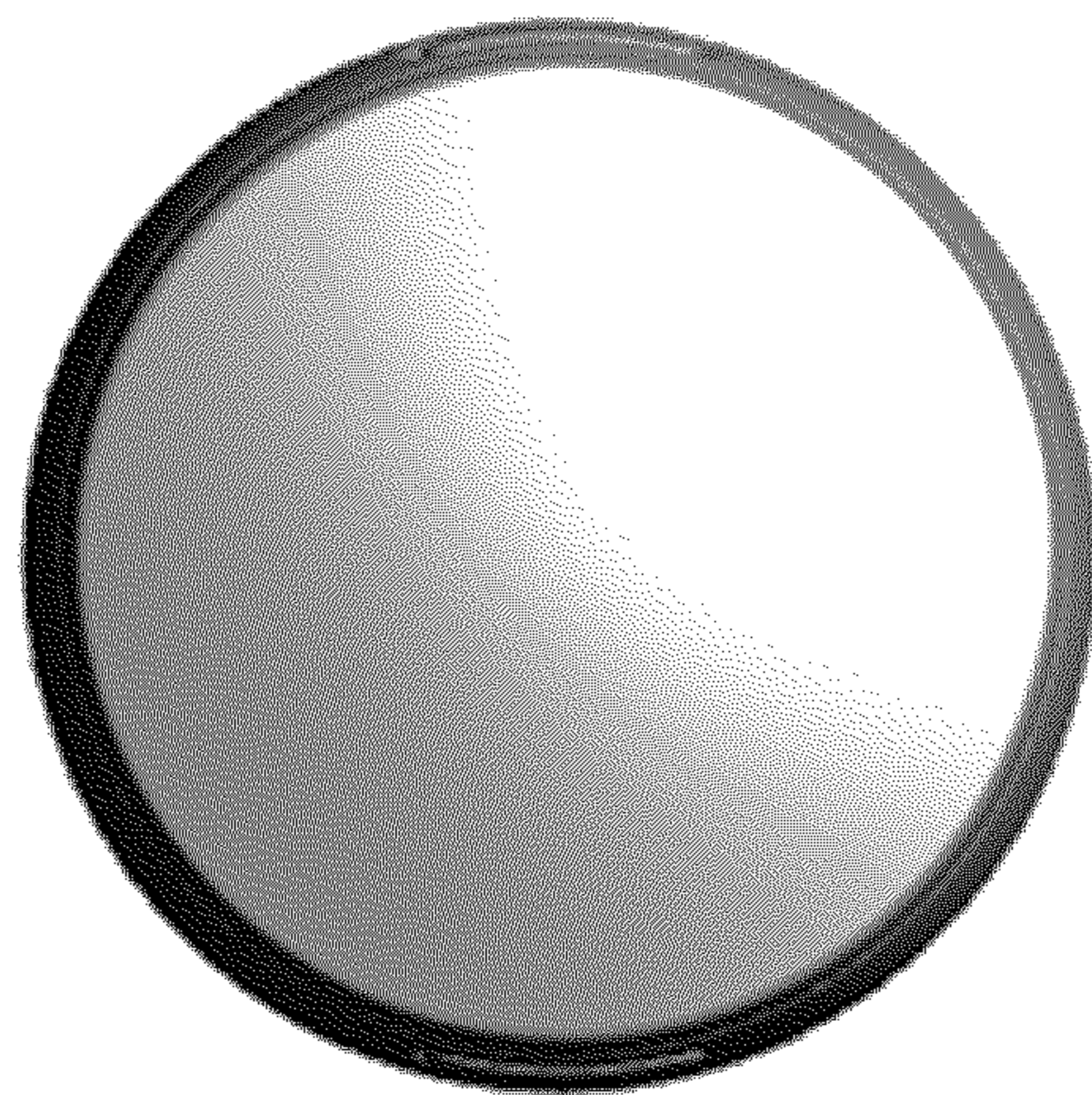


FIG. 3

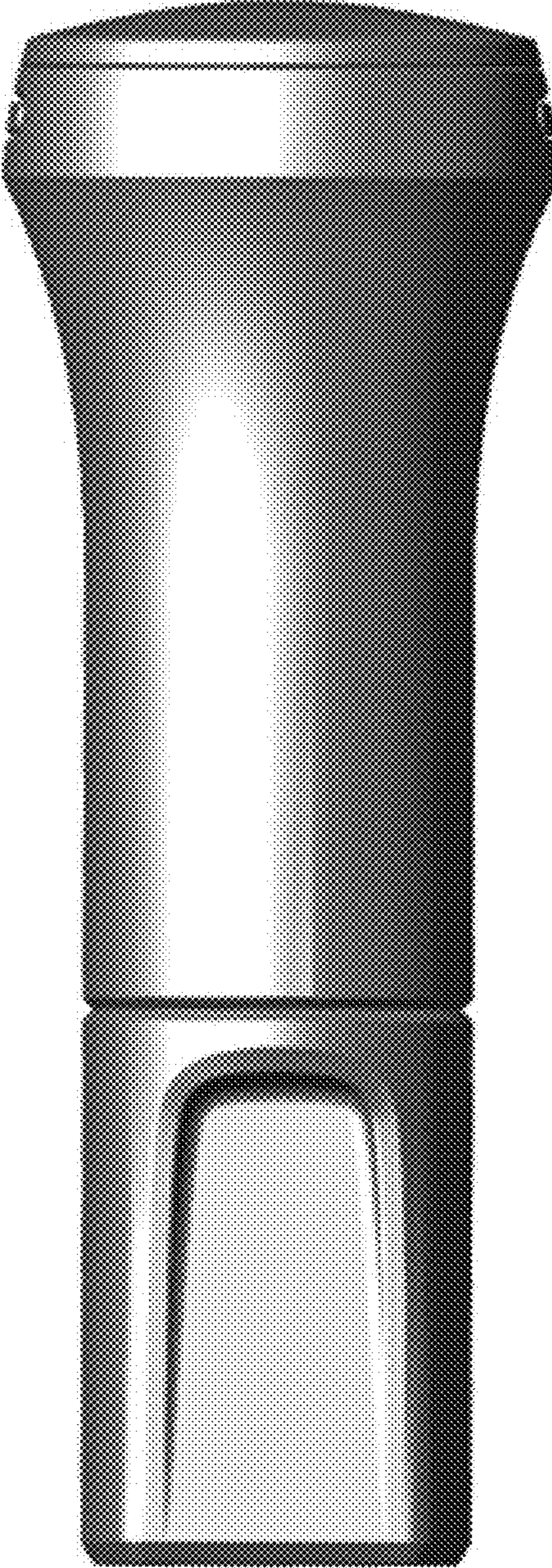


FIG. 4

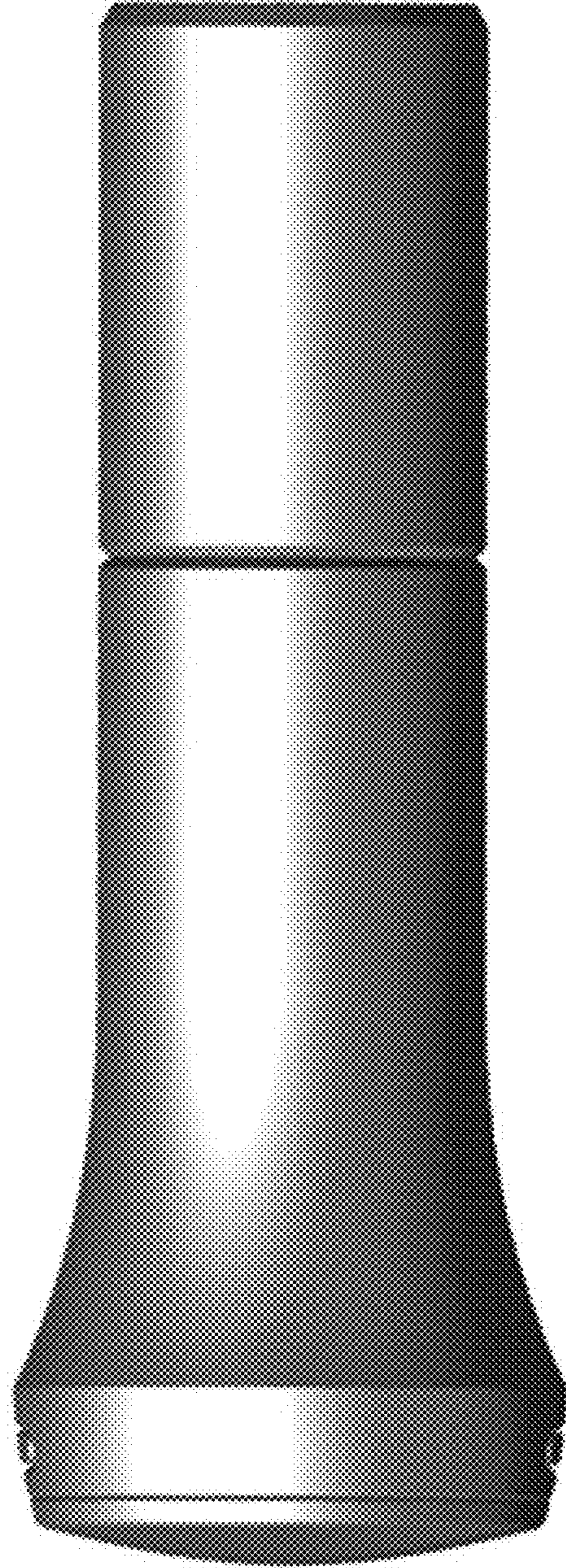


FIG. 5



FIG. 6



FIG. 7