



US00D850232S

(12) **United States Design Patent**
Watson et al.

(10) **Patent No.:** **US D850,232 S**

(45) **Date of Patent:** **** Jun. 4, 2019**

(54) **FOLDABLE BLADE SHARPENER**
(71) Applicant: **ACME UNITED CORPORATION**,
Fairfield, CT (US)
(72) Inventors: **Stanley A. Watson**, Franklin, MA (US);
Richard S. Constantine, Monroe, CT
(US)

(73) Assignee: **ACME United Corporation**, Fairfield,
CT (US)

(**) Term: **15 Years**

(21) Appl. No.: **29/629,491**

(22) Filed: **Dec. 13, 2017**

(51) **LOC (11) Cl.** **08-05**

(52) **U.S. Cl.**
USPC **D8/93**

(58) **Field of Classification Search**
USPC D8/63, 90, 91, 92, 93
CPC B24B 3/54; B24B 3/36; B24B 3/58; B24B
3/00; B24B 23/08; B24B 15/00; B24B
15/06; B24B 15/063; B24B 15/08
See application file for complete search history.

(56) **References Cited**

U.S. PATENT DOCUMENTS

D365,008 S * 12/1995 Sparks D8/90
D578,581 S * 10/2008 Smith D21/667

8,221,199 B2 * 7/2012 Smith B24B 3/54
451/461
D711,721 S * 8/2014 Kujawski D8/105
D731,278 S * 6/2015 Cavanaugh D8/105
D804,272 S * 12/2017 Chalfant D8/91
D811,846 S * 3/2018 Johnson D8/93
2014/0127984 A1* 5/2014 Smith B25F 1/00
451/461

* cited by examiner

Primary Examiner — Philip S Hyder

(74) *Attorney, Agent, or Firm* — Bond Schoeneck &
King, PLLC; George R. McGuire

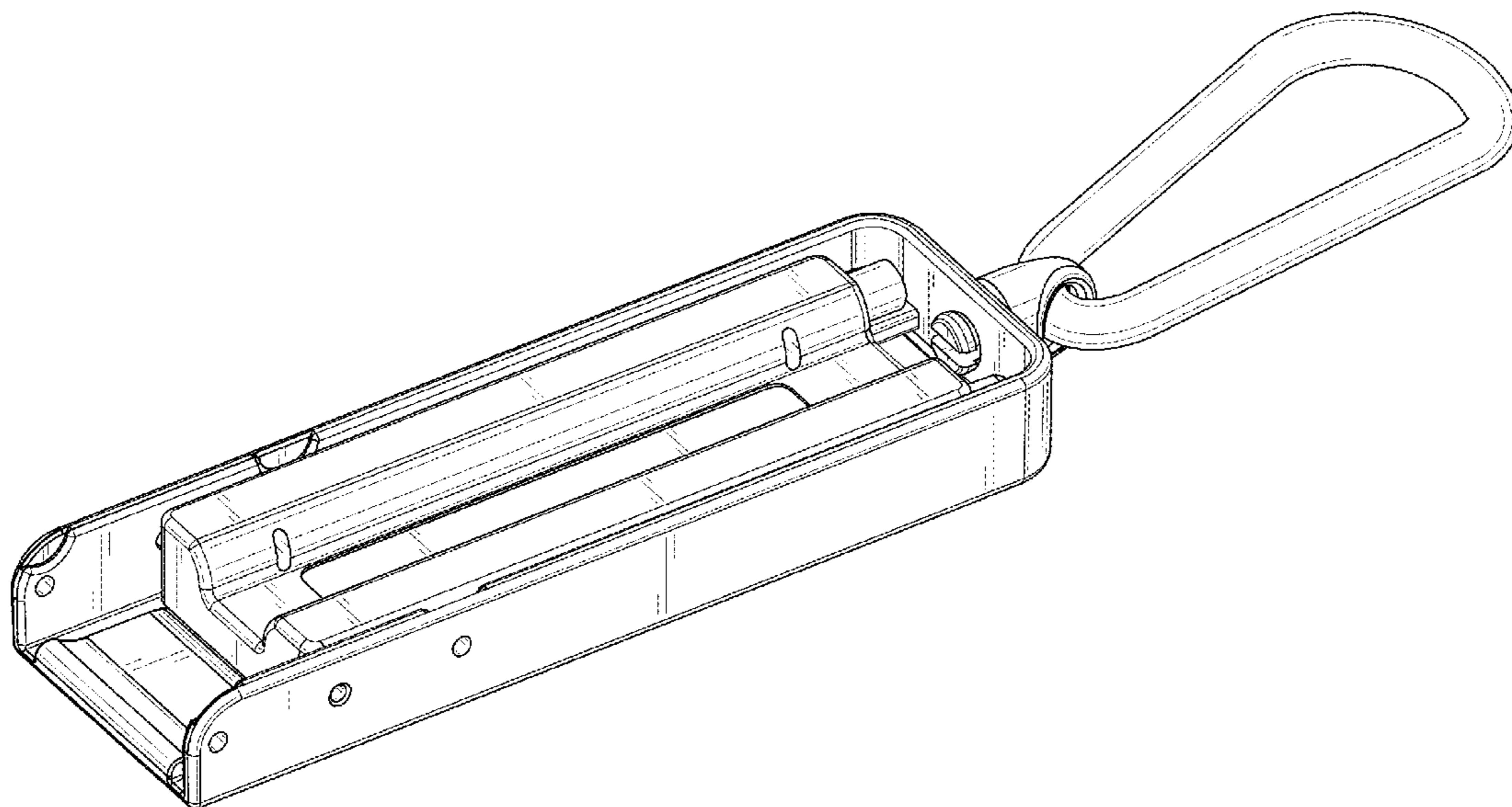
(57) **CLAIM**

The ornamental design for a foldable blade sharpener, as
shown and described.

DESCRIPTION

FIG. 1 is a first perspective view of a new and ornamental
design for a foldable blade sharpener;
FIG. 2 is a top plan view thereof;
FIG. 3 is a bottom plan view thereof;
FIG. 4 is a front elevation view thereof;
FIG. 5 is a rear elevation view thereof;
FIG. 6 is a first side elevation view thereof; and,
FIG. 7 is a second side elevation view thereof.

1 Claim, 5 Drawing Sheets



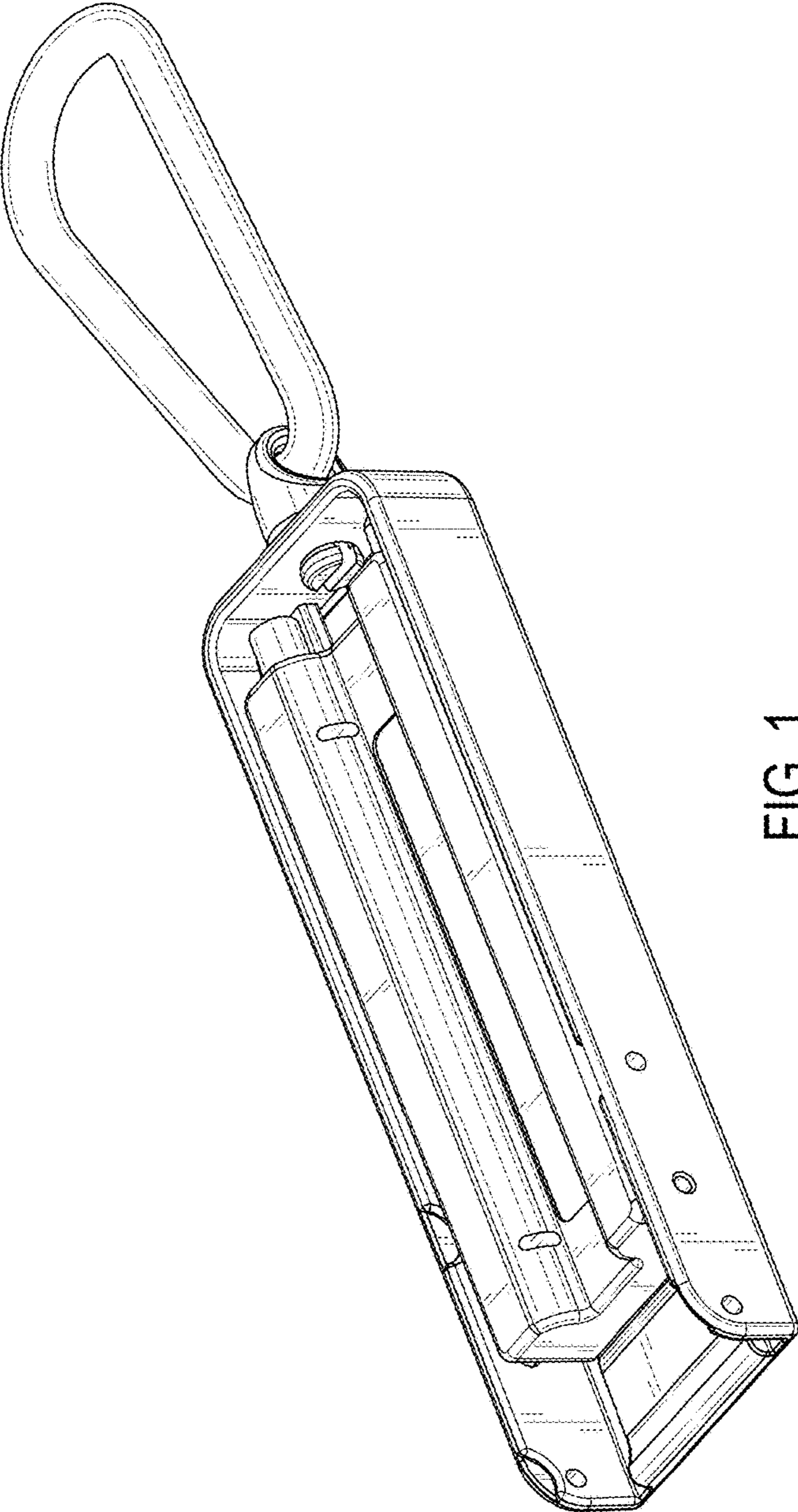


FIG. 1

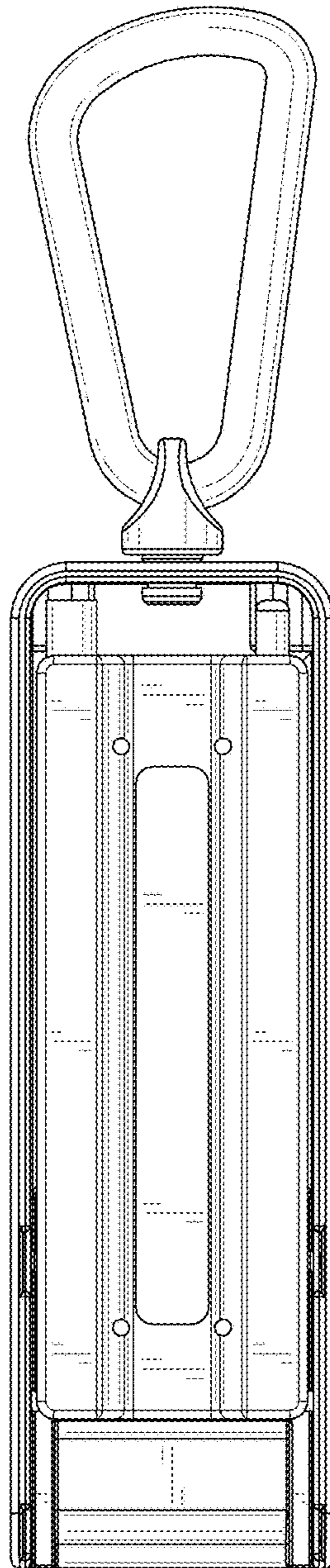


FIG. 2

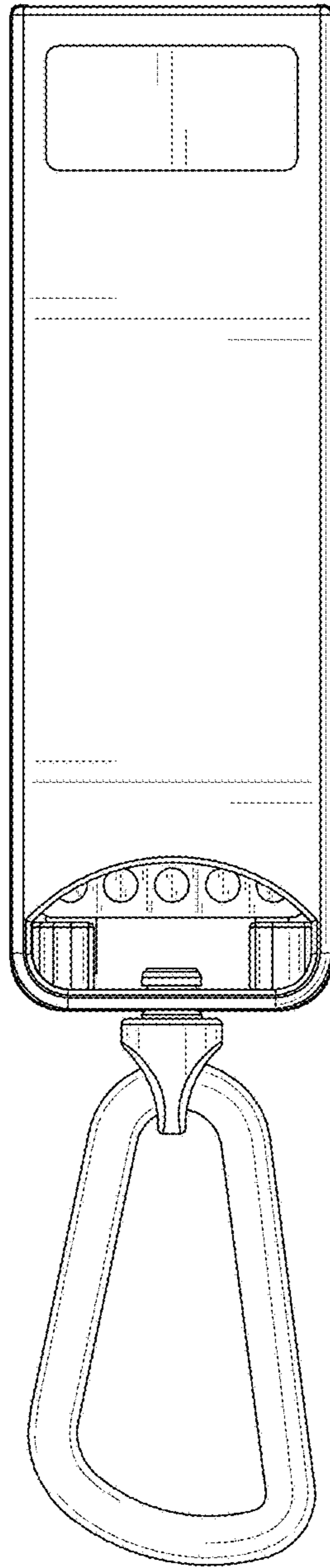


FIG. 3

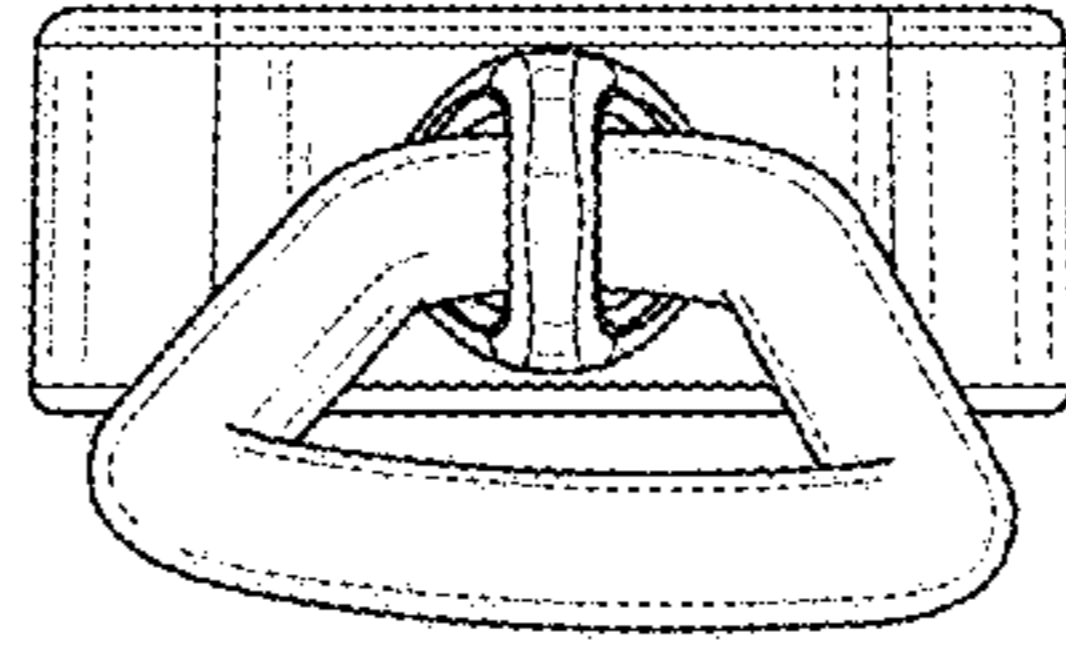


FIG. 5

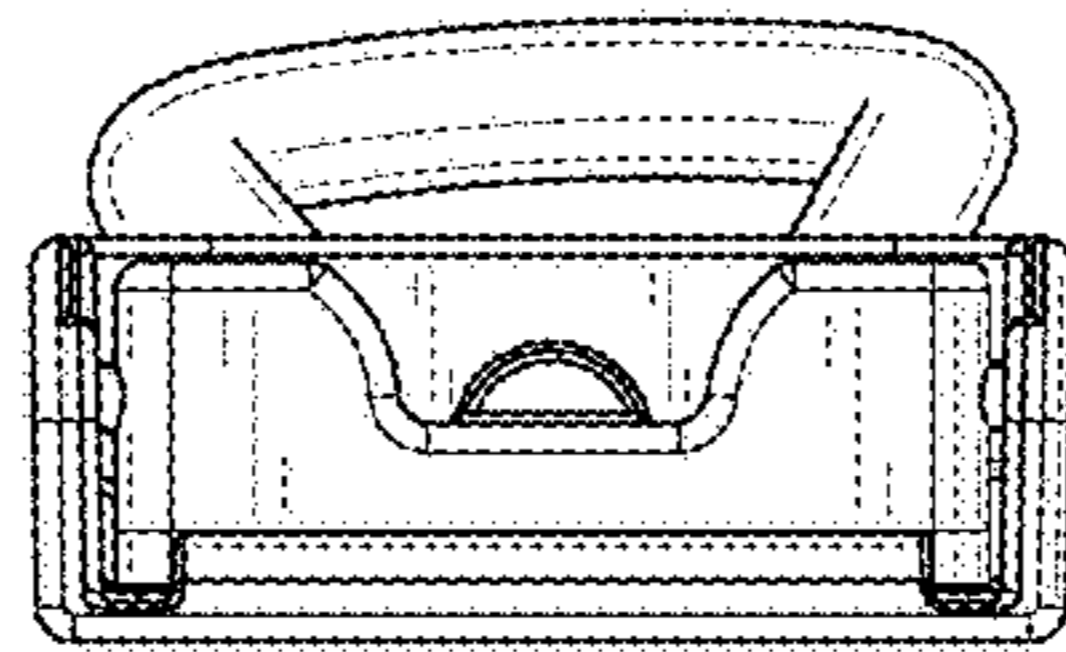


FIG. 4

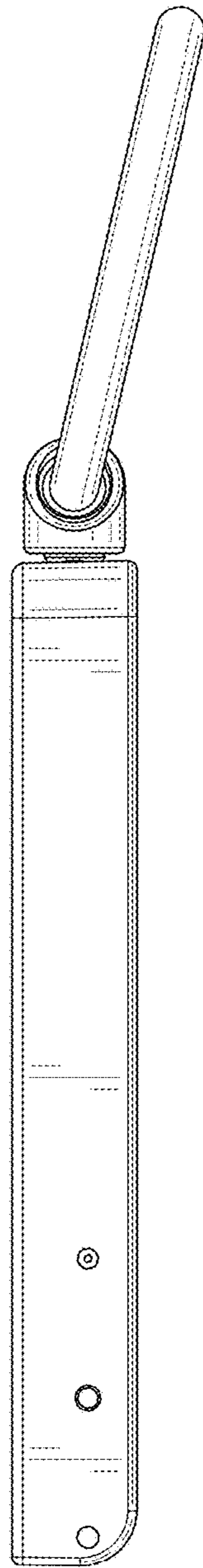


FIG. 6

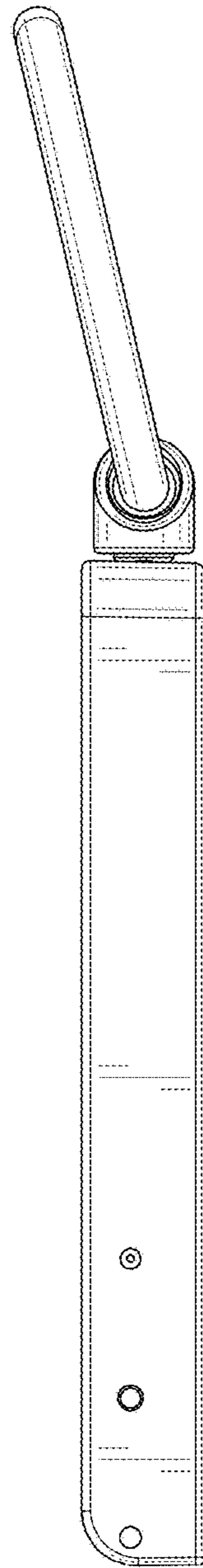


FIG. 7