



US00D850230S

(12) **United States Design Patent** (10) **Patent No.:** **US D850,230 S**
Votel et al. (45) **Date of Patent:** **** Jun. 4, 2019**

(54) **ANCHOR POINT FOR DRILL**
(71) Applicant: **Tenacious Holdings, Inc.**, St. Paul, MN (US)
(72) Inventors: **Thomas Votel**, Sunfish Lake, MN (US); **Ian Forte**, Crystal, MN (US); **Nathan Bohmbach**, Lakeville, MN (US); **Paul Goudreau**, Edina, MN (US)
(73) Assignee: **Tenacious Holdings, Inc.**, St. Paul, MN (US)
(**) Term: **15 Years**

D522,351 S * 6/2006 Taylor D24/110
D553,970 S * 10/2007 Allsopp D8/395
D576,478 S * 9/2008 Mead D8/395
D576,479 S * 9/2008 Alexander D8/384
D600,543 S * 9/2009 Coles D8/395
D606,851 S * 12/2009 Boyd D8/395
D624,805 S 10/2010 Clarke
D662,809 S * 7/2012 Zhang D8/380
D670,159 S * 11/2012 Bitarchas D8/394
D697,394 S * 1/2014 Lengacher D8/394
D705,029 S 5/2014 Gangakhedkar et al.
D735,564 S 8/2015 Goodman et al.
D781,689 S 3/2017 Darby
D782,290 S 3/2017 Darby
(Continued)

(21) Appl. No.: **29/616,695**
(22) Filed: **Sep. 7, 2017**
(51) **LOC (11) Cl.** **08-05**
(52) **U.S. Cl.**
USPC **D8/72**
(58) **Field of Classification Search**
USPC D8/71-74, 394-399, 59; 248/63, 72, 248/74.1, 689, 124.2; 81/487, 385, 386, 81/388-390; 269/3, 4, 6, 143, 165, 240, 269/243, 246-249, 254 R, 147-149; 29/256, 257, 276; 408/103, 104-109
CPC B25B 1/00; B25B 5/00
See application file for complete search history.

FOREIGN PATENT DOCUMENTS

NZ 21033 9/1986
Primary Examiner — David G Muller
(74) *Attorney, Agent, or Firm* — Skaar Ulbrich Macari, P.A.

(57) **CLAIM**

The ornamental design for an anchor point for drill, as shown and described.

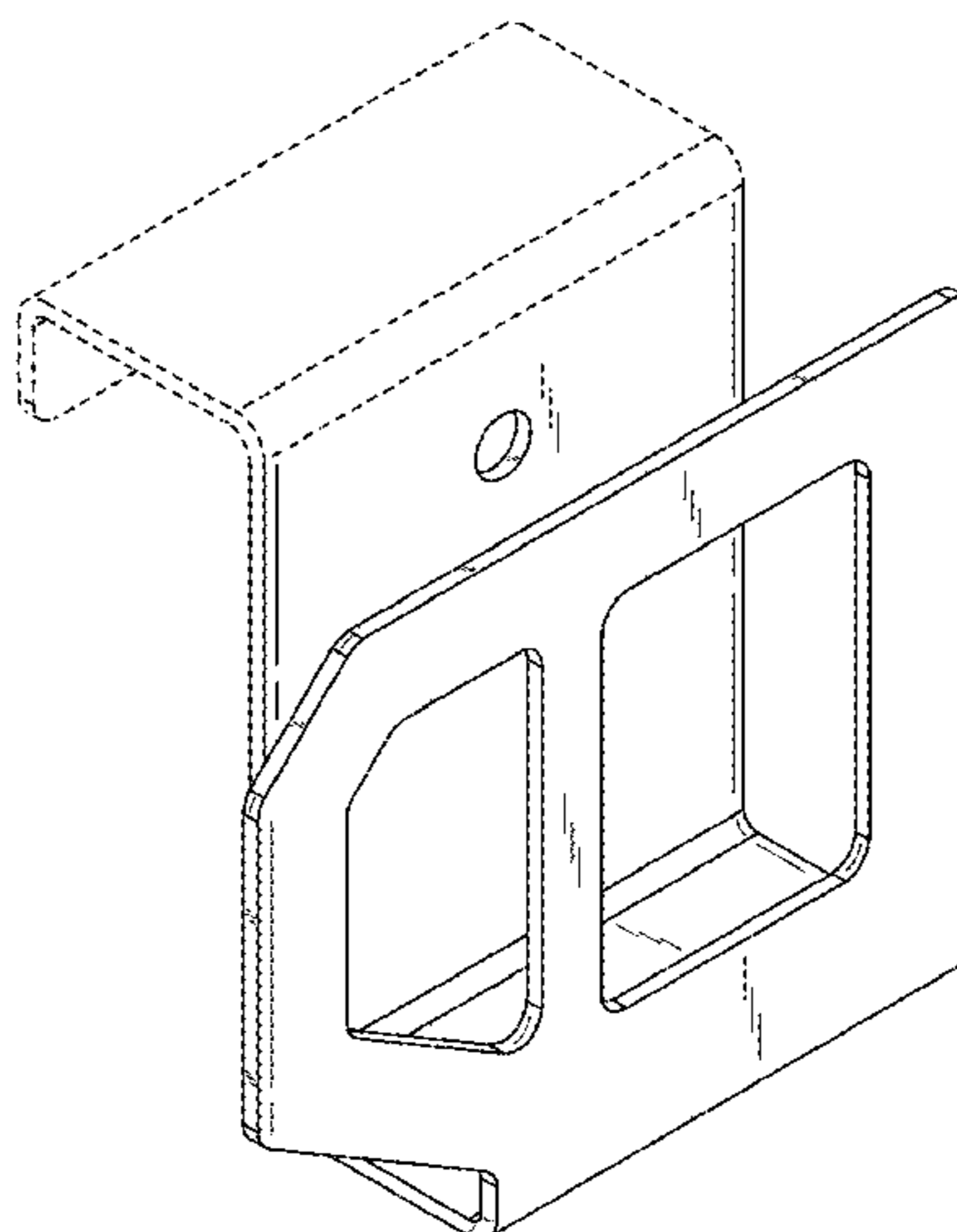
DESCRIPTION

FIG. 1 is a perspective view of an anchor point for drill showing our new design;
FIG. 2 is a front elevation view thereof;
FIG. 3 is a rear elevation view thereof;
FIG. 4 is a left side elevation view thereof;
FIG. 5 is a right side elevation view thereof;
FIG. 6 is a top plan view thereof;
FIG. 7 is a bottom plan view thereof; and,
FIG. 8 is a perspective view thereof in use.
The broken lines shown in the figures illustrate structures for illustrative purposes only and form no part of the claimed design.

(56) **References Cited**
U.S. PATENT DOCUMENTS

D248,026 S 5/1978 Gostomski
D308,446 S 6/1990 Henley
D318,608 S 7/1991 Schenker
D420,274 S 2/2000 Lappin et al.
D468,998 S 1/2003 Zadak
6,520,705 B2 * 2/2003 Stasney, Jr. F16B 2/065
403/258
D473,775 S * 4/2003 Janiszewski D8/71
D491,442 S 6/2004 Cordero et al.

1 Claim, 8 Drawing Sheets



(56)

References Cited

U.S. PATENT DOCUMENTS

D783,380 S * 4/2017 Szucs D8/71
D806,529 S * 1/2018 Olenick D8/399

* cited by examiner

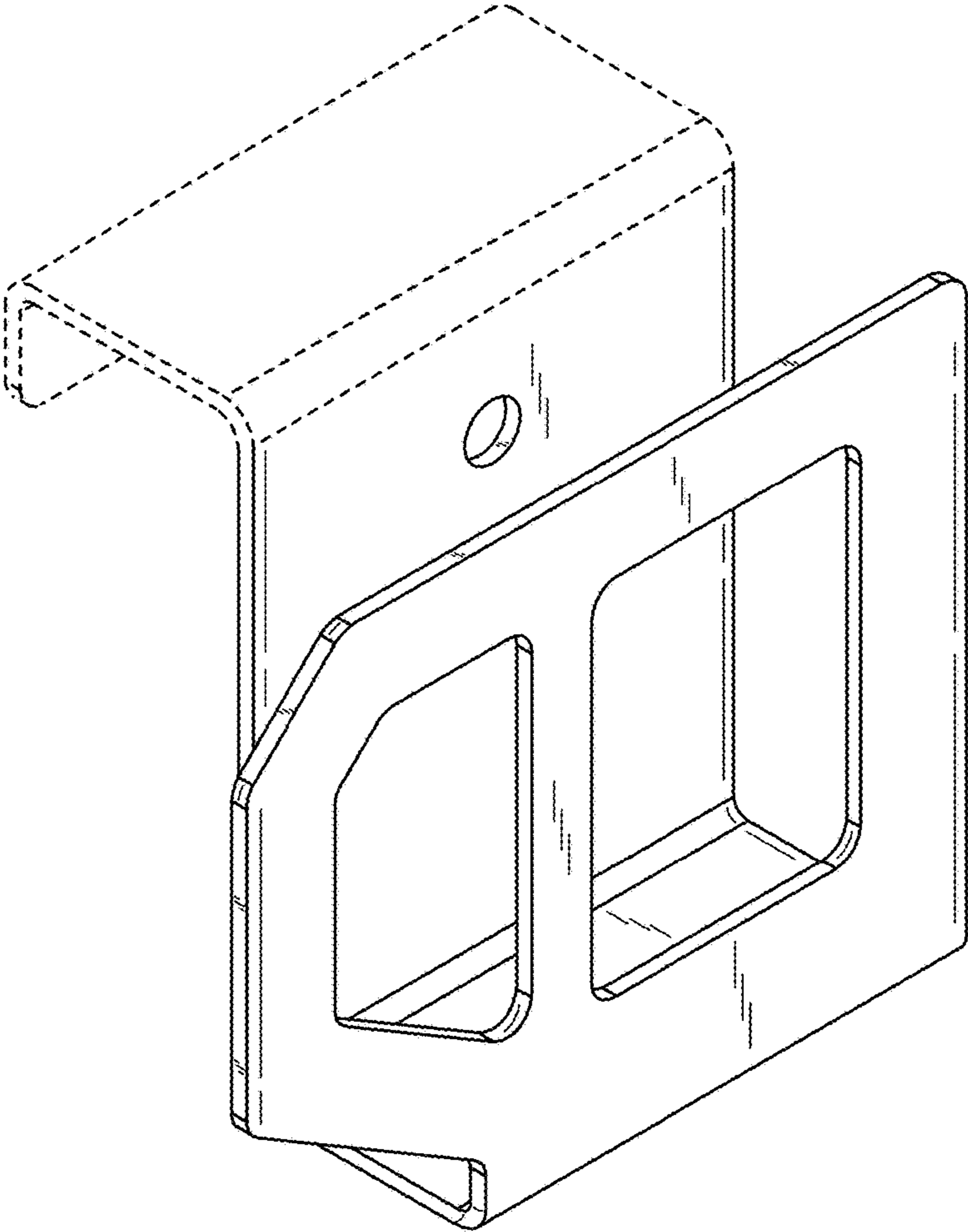


FIG. 1

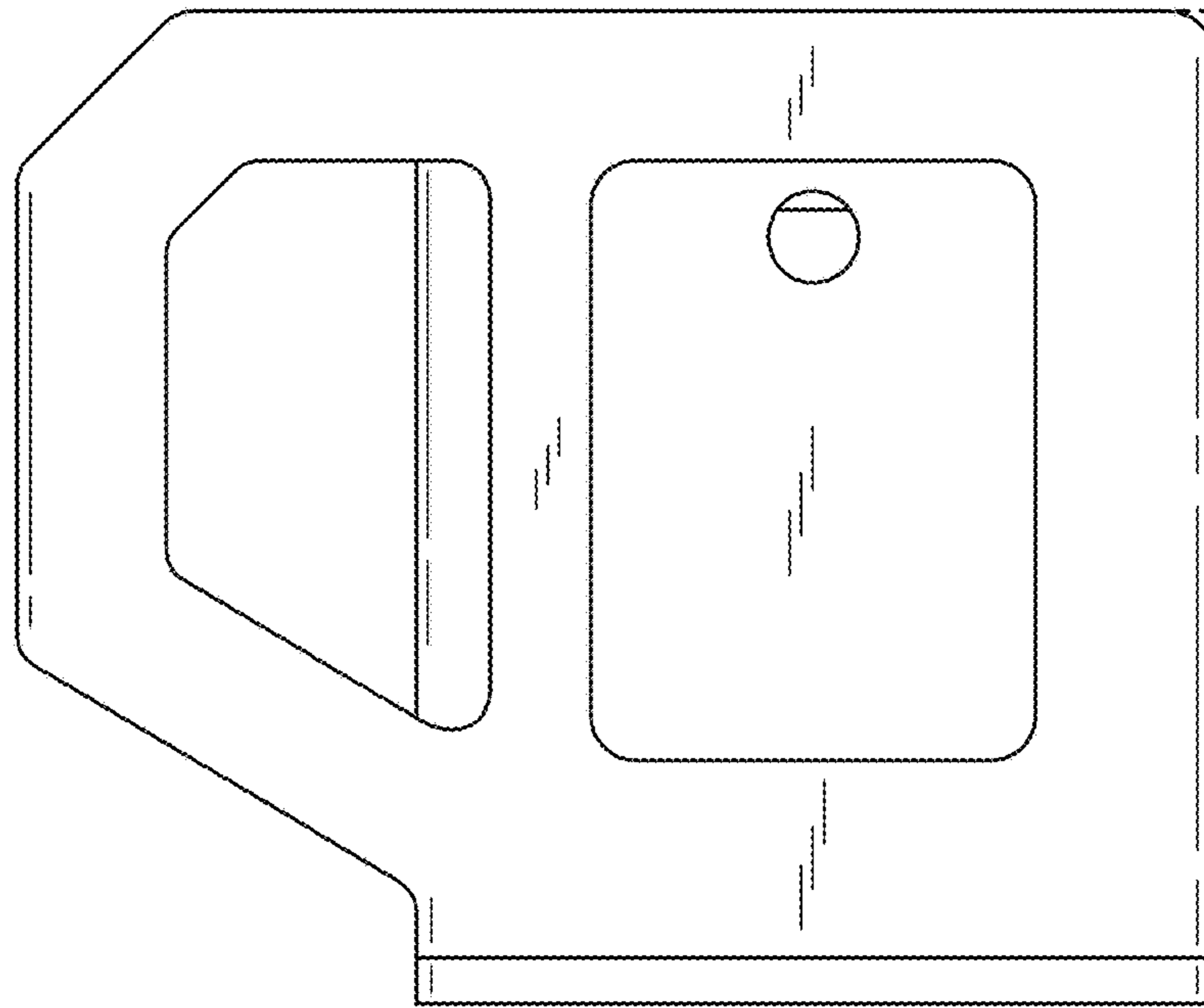


FIG. 2

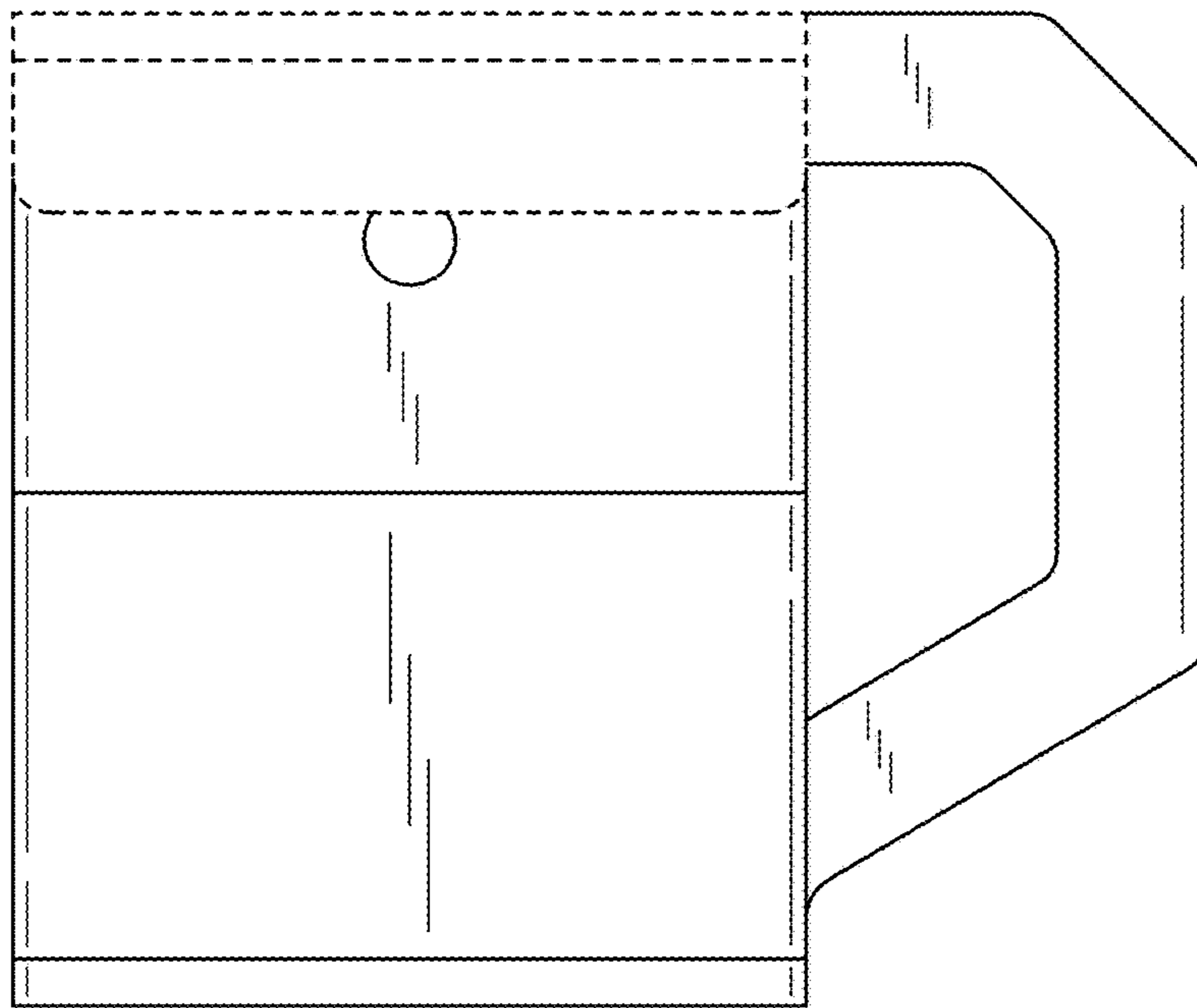


FIG. 3

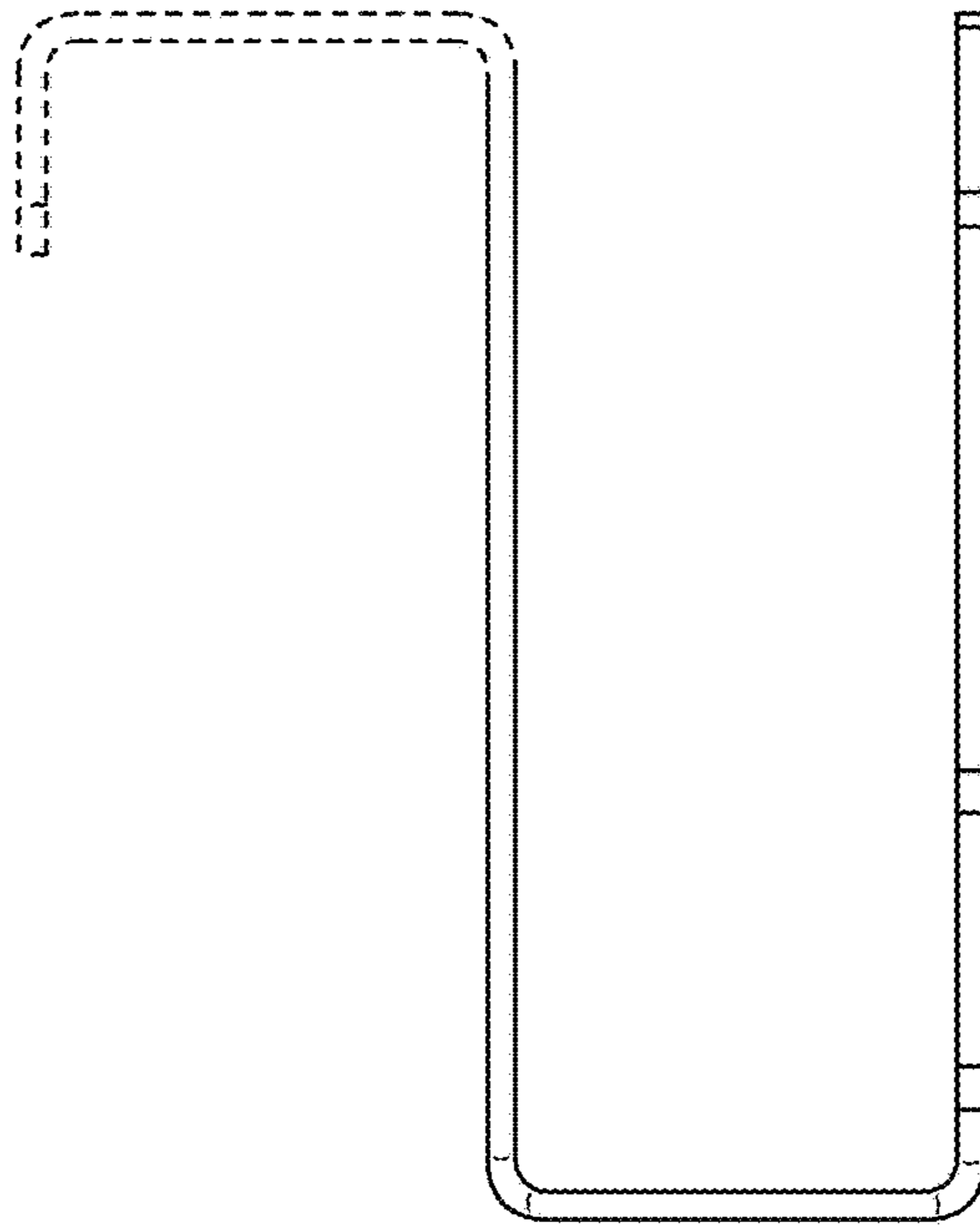


FIG. 4

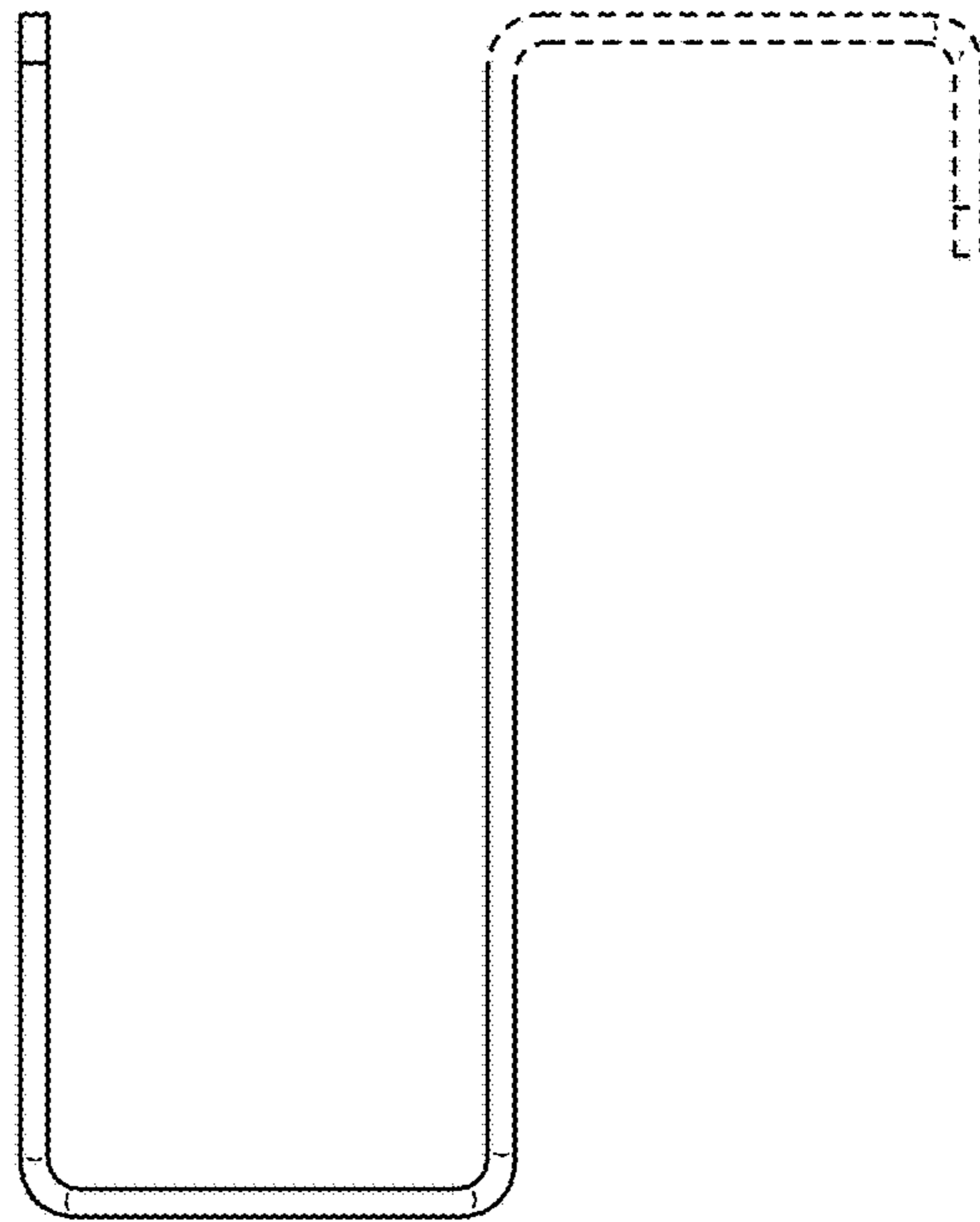


FIG. 5

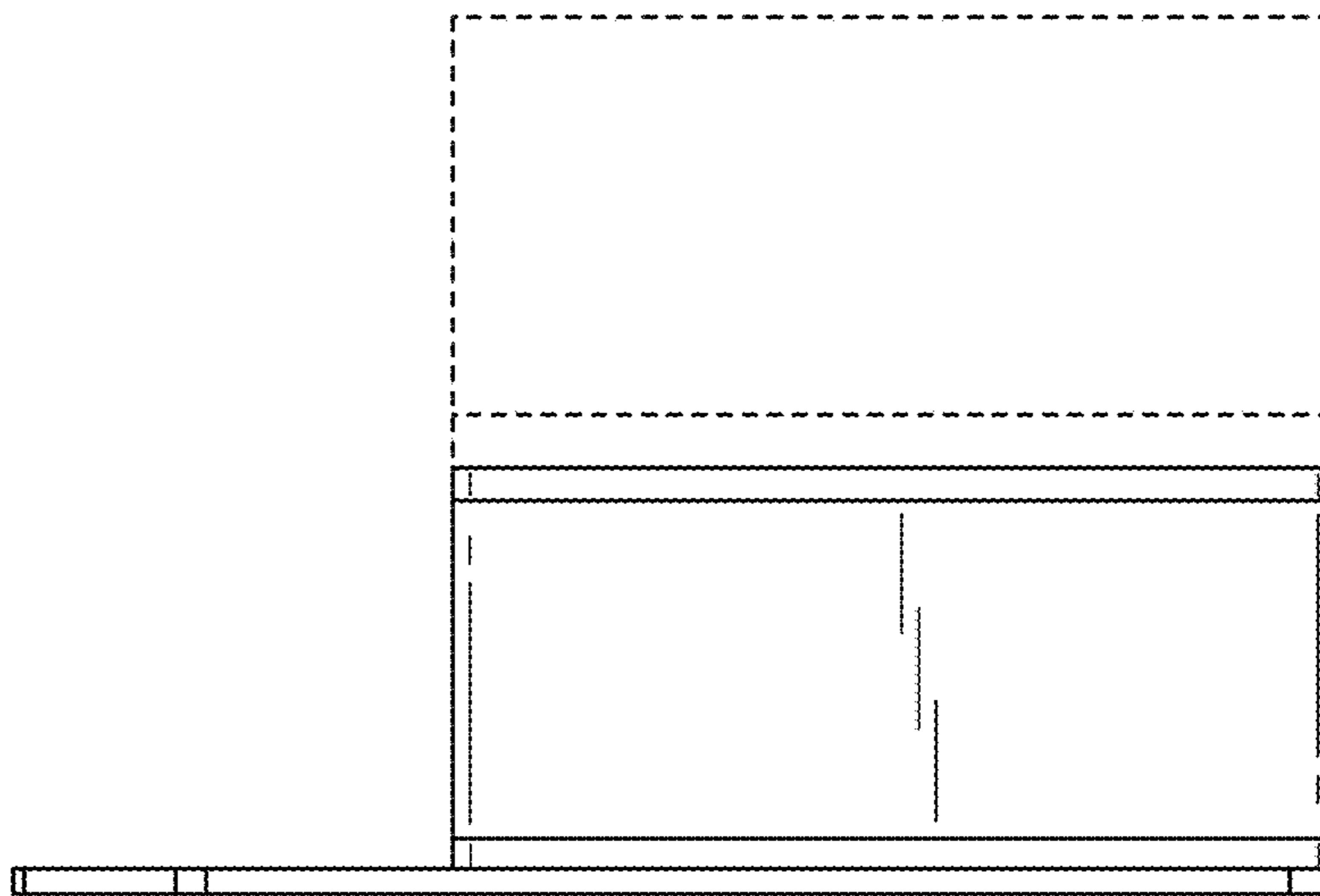


FIG. 6

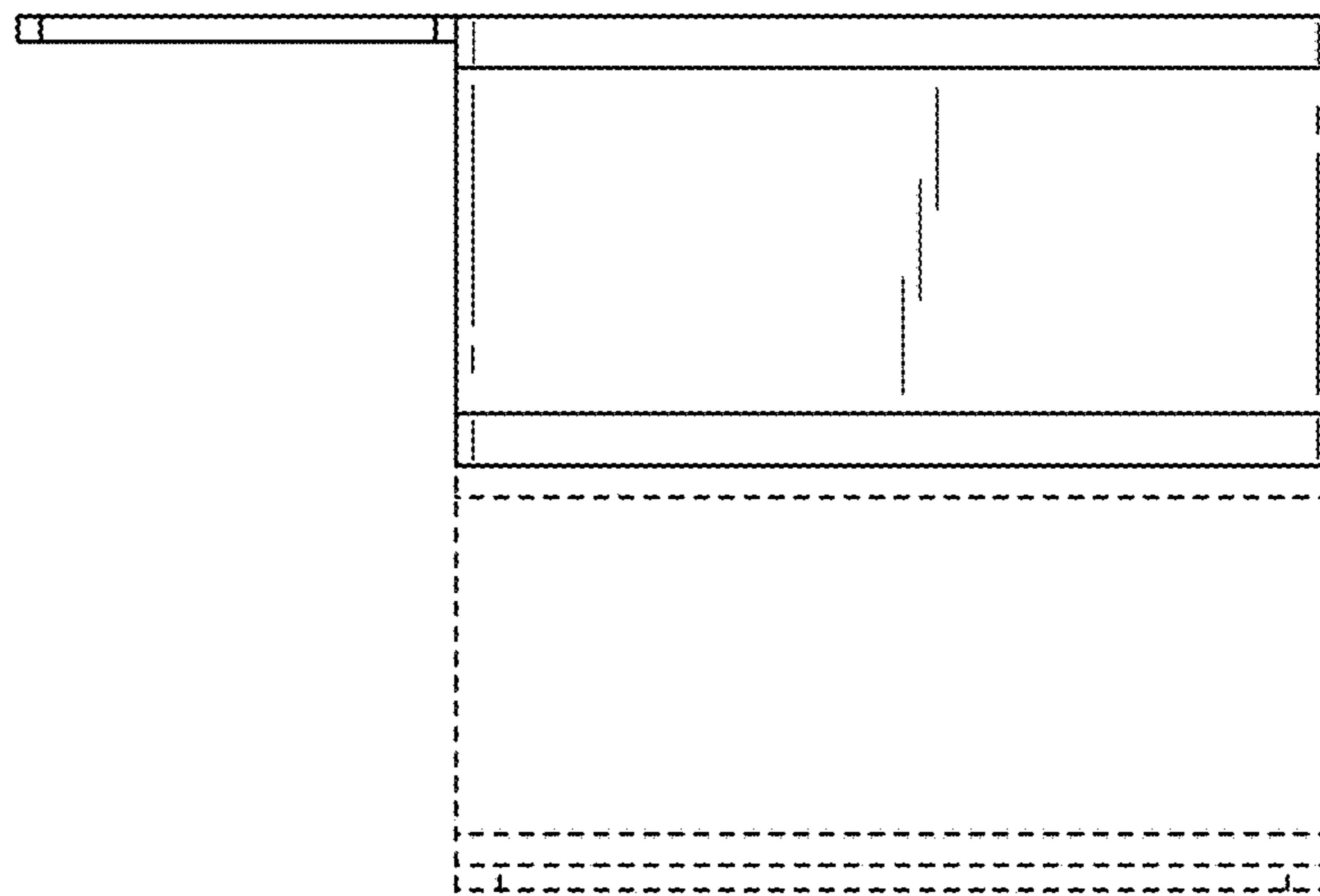


FIG. 7

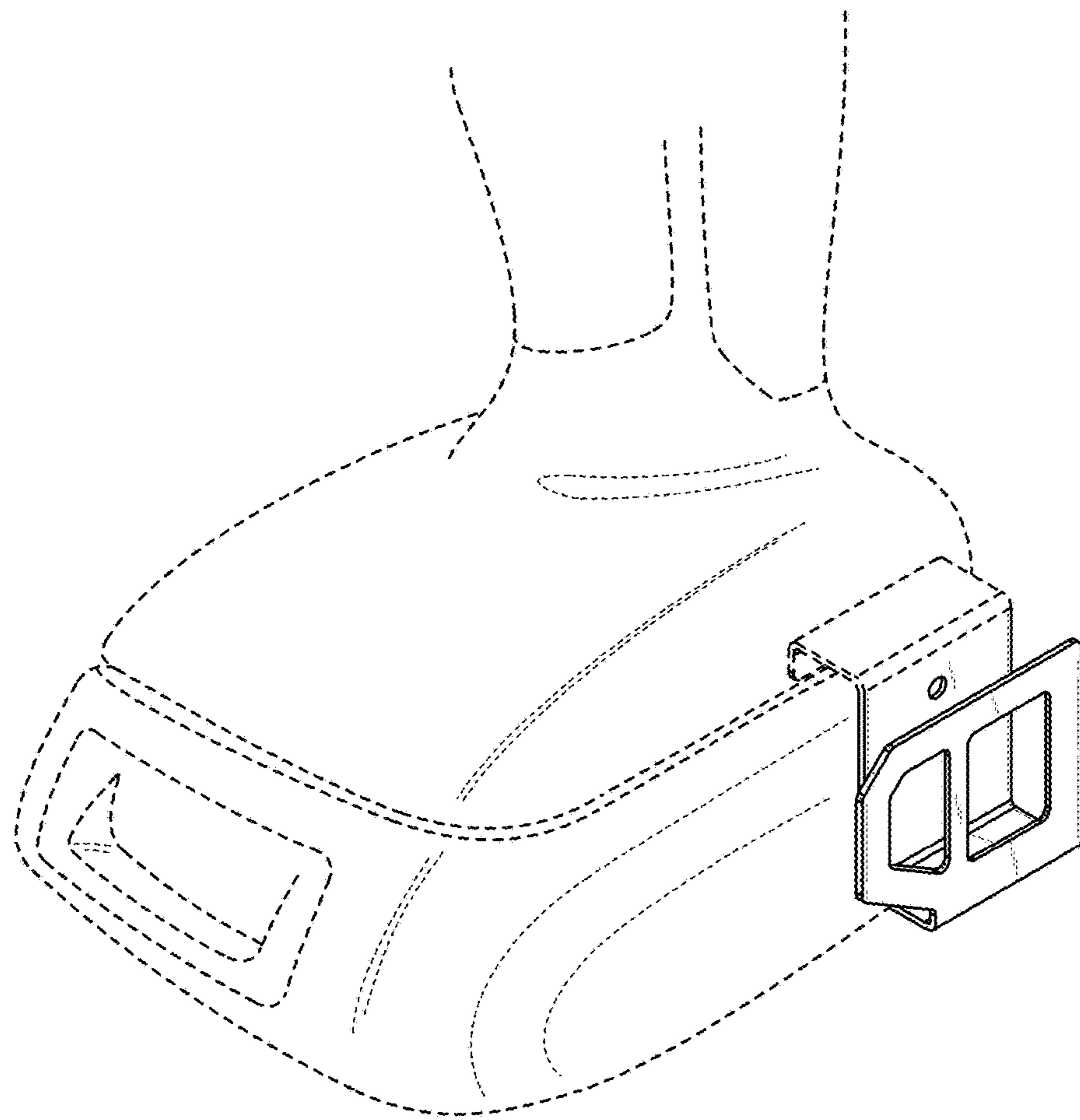


FIG. 8