



US00D850229S

(12) **United States Design Patent**
Goodman

(10) **Patent No.:** **US D850,229 S**
(45) **Date of Patent:** **** Jun. 4, 2019**

(54) **CASE TRIMMER**
(71) Applicant: **Larry Goodman**, Cerritos, CA (US)
(72) Inventor: **Larry Goodman**, Cerritos, CA (US)
(**) Term: **15 Years**
(21) Appl. No.: **29/608,274**
(22) Filed: **Jun. 20, 2017**
(51) **LOC (11) Cl.** **08-05**
(52) **U.S. Cl.**
USPC **D8/70**
(58) **Field of Classification Search**
USPC D8/70, 71; D15/131, 138, 140
CPC B23B 5/168; B23B 31/00; B23B 31/123;
B23B 31/1238; B23B 31/1253; F42B
33/10; F42B 35/02
See application file for complete search history.

4,486,131 A * 12/1984 Eckle B23B 5/167
407/39
4,742,606 A 5/1988 Burby et al.
4,813,827 A * 3/1989 Dugger B23B 5/168
408/211
5,054,970 A 10/1991 Steiner
5,076,122 A * 12/1991 Katzenburger B23B 5/163
407/113
5,309,813 A 5/1994 Henley
5,758,996 A 6/1998 Loudon
6,101,915 A 8/2000 Sinclair
6,484,616 B1 11/2002 Giraud
D481,046 S * 10/2003 Gainer D15/139
6,957,936 B2 * 10/2005 Kress B23B 5/168
408/181
D612,406 S * 3/2010 Jackson D15/131
D643,864 S * 8/2011 Jackson D15/140
8,408,112 B2 * 4/2013 Keska F42B 35/02
86/24

(Continued)

FOREIGN PATENT DOCUMENTS

CH 561576 5/1975
DE 2736819 2/1978
SU 1351706 11/1987

Primary Examiner — Darlington Ly
(74) *Attorney, Agent, or Firm* — Kenneth L. Green;
Averill & Green

(56) **References Cited**
U.S. PATENT DOCUMENTS

433,615 A 8/1890 Brown
2,402,650 A 6/1942 Maffia
2,302,869 A 11/1942 Jewell
2,398,491 A 4/1946 Bell
3,069,932 A 12/1962 Sweeny et al.
3,174,390 A 3/1965 Jacobsen
3,199,168 A 8/1965 Rhine
3,234,974 A * 2/1966 Ray B23D 57/0076
142/32
3,274,661 A 9/1966 Westbrook
3,304,597 A 2/1967 Kezran
3,324,529 A 6/1967 McCreery
3,818,563 A 6/1974 Beaulieu
3,875,831 A * 4/1975 Beauloye B23B 5/163
82/113
3,999,452 A 12/1976 Larsen
4,135,846 A * 1/1979 Nowakowski B23B 5/163
408/157

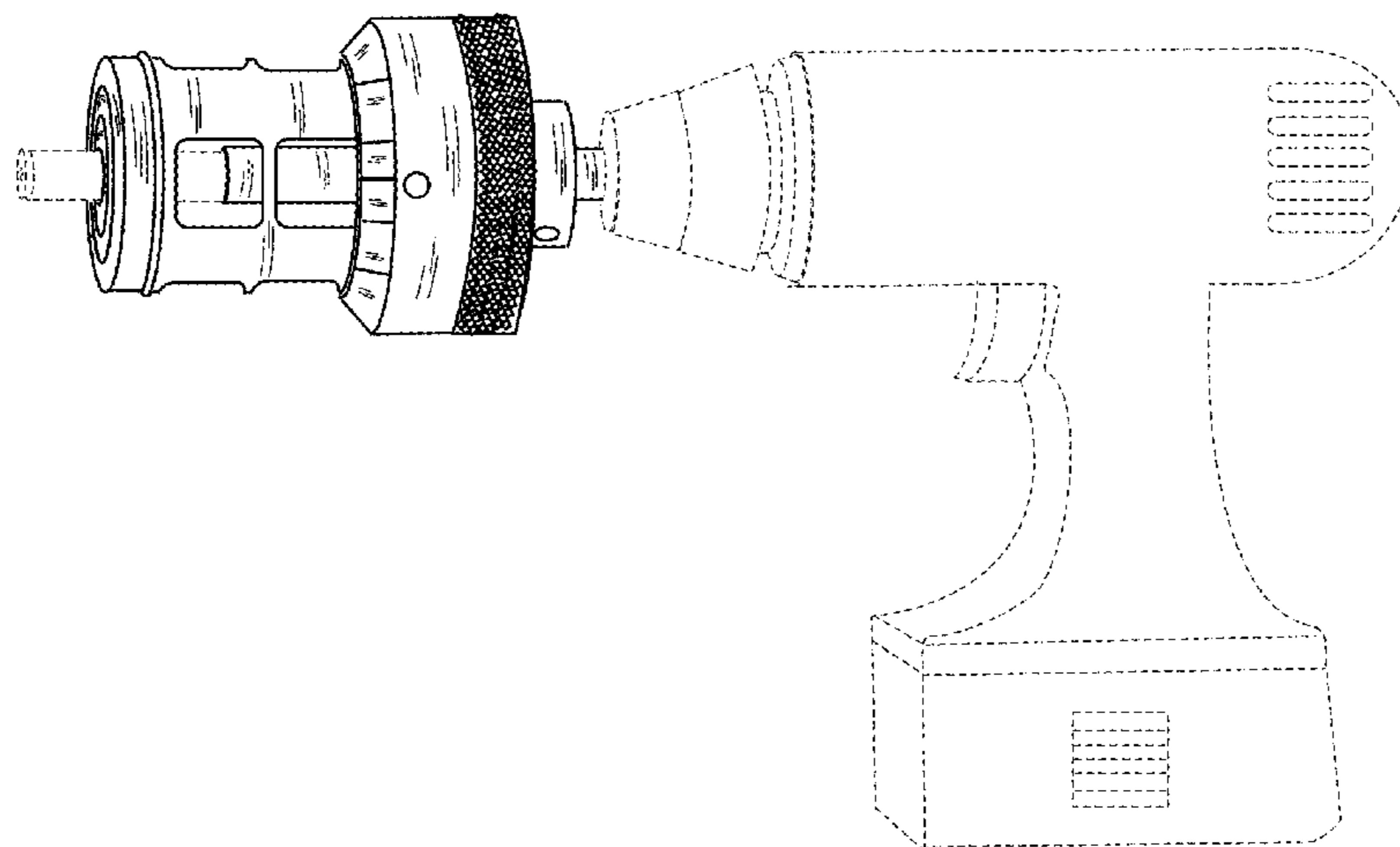
(57) **CLAIM**

The ornamental design for a case trimmer, as shown and described.

DESCRIPTION

FIG. 1 is a perspective view of a case trimmer showing my new design;
FIG. 2 is a top plan view thereof;
FIG. 3 is a left side elevation view thereof;
FIG. 4 is a front elevation view thereof; and,
FIG. 5 is a rear elevation view thereof.

1 Claim, 2 Drawing Sheets



(56)

References Cited

U.S. PATENT DOCUMENTS

8,827,607	B1 *	9/2014	Goodman	B23B 5/168
					408/202
9,022,704	B1 *	5/2015	Goodman	B23B 5/168
					408/1 R
1,153,673	A1	9/2015	Bryant		
9,440,292	B1 *	9/2016	Feinberg	B23B 5/16
9,459,082	B2 *	10/2016	Giraud	F42B 33/10
2016/0018204	A1 *	1/2016	Giraud	F42B 33/10
					86/24

* cited by examiner

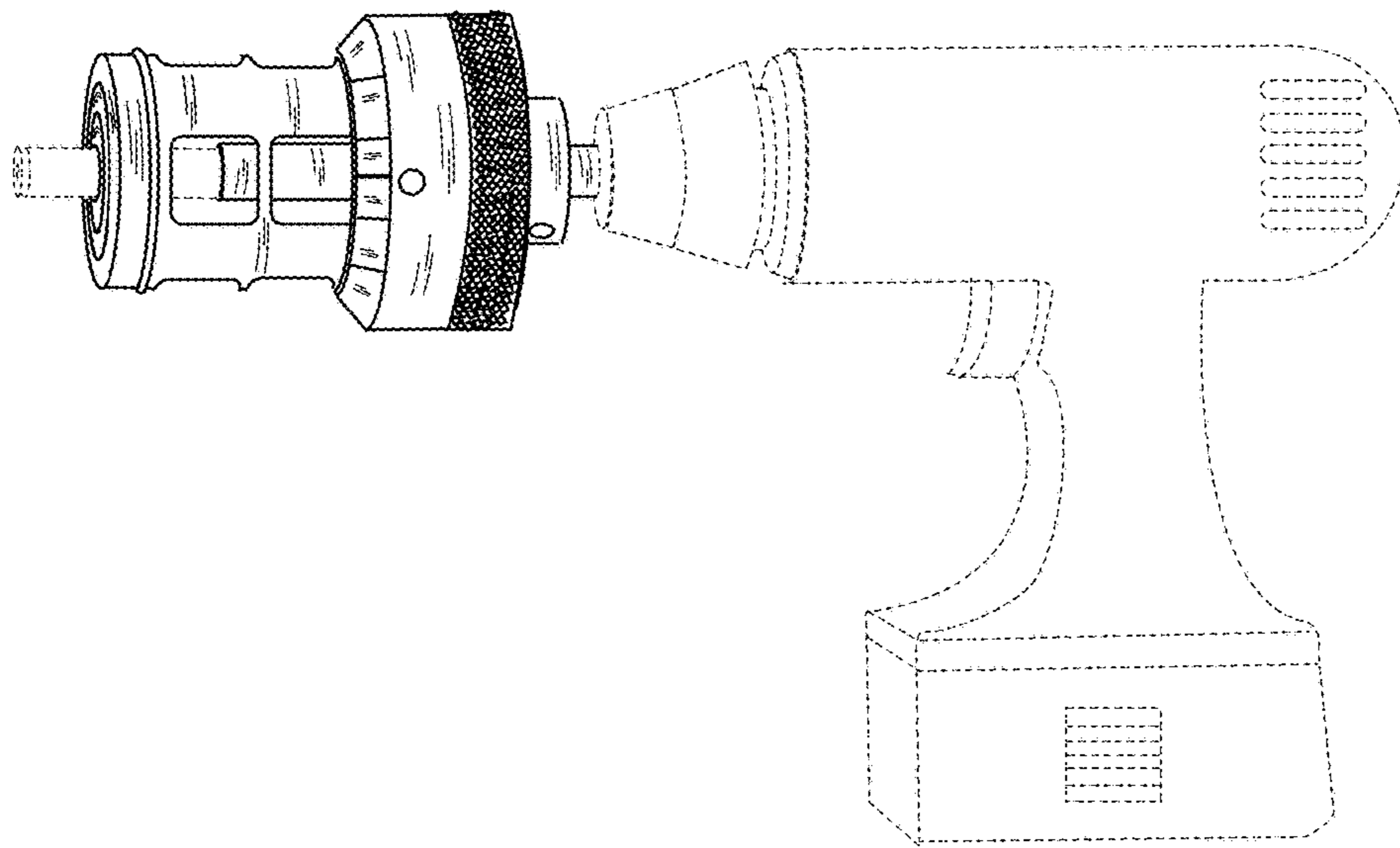


FIG. 1

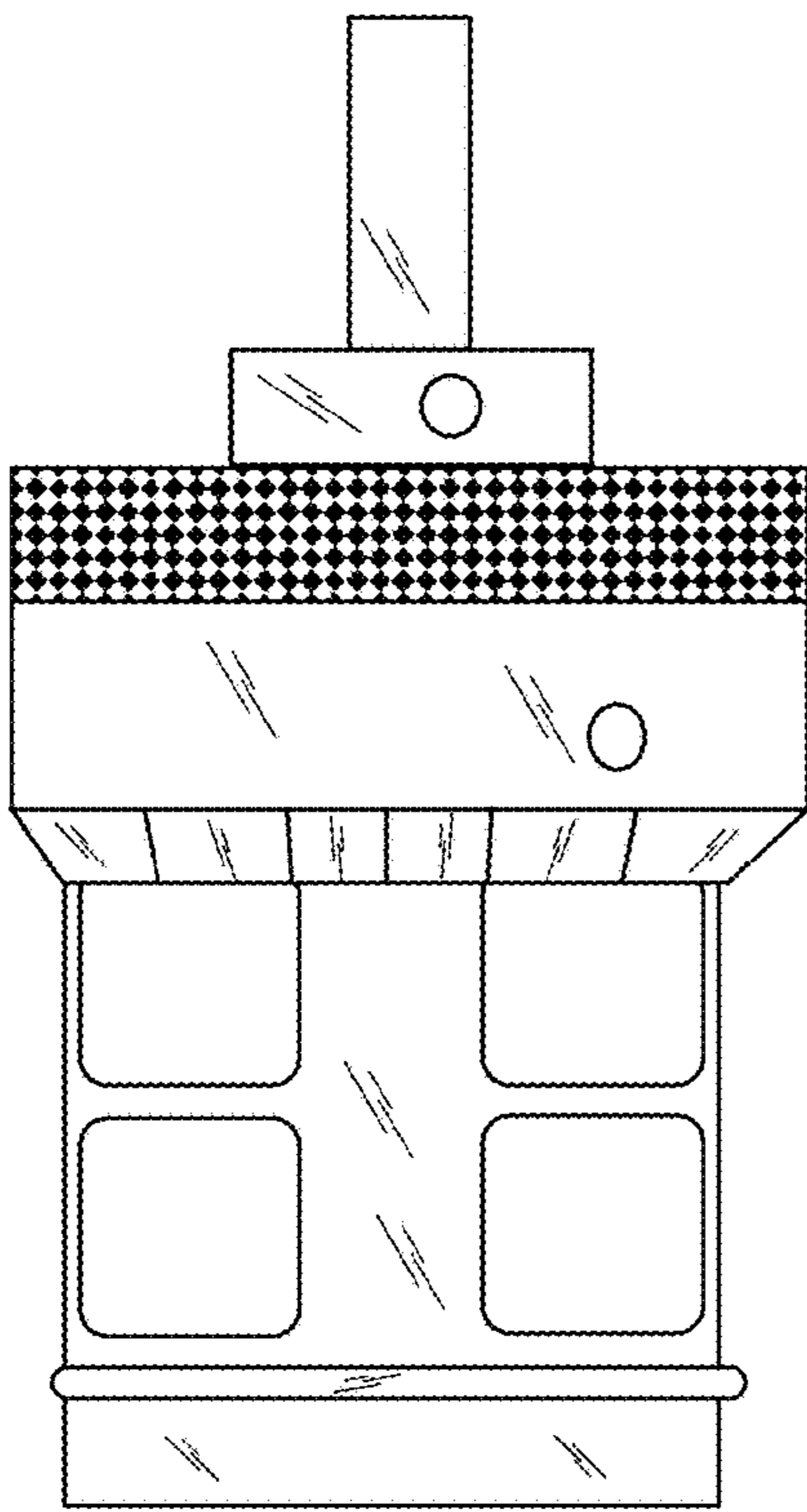


FIG. 2

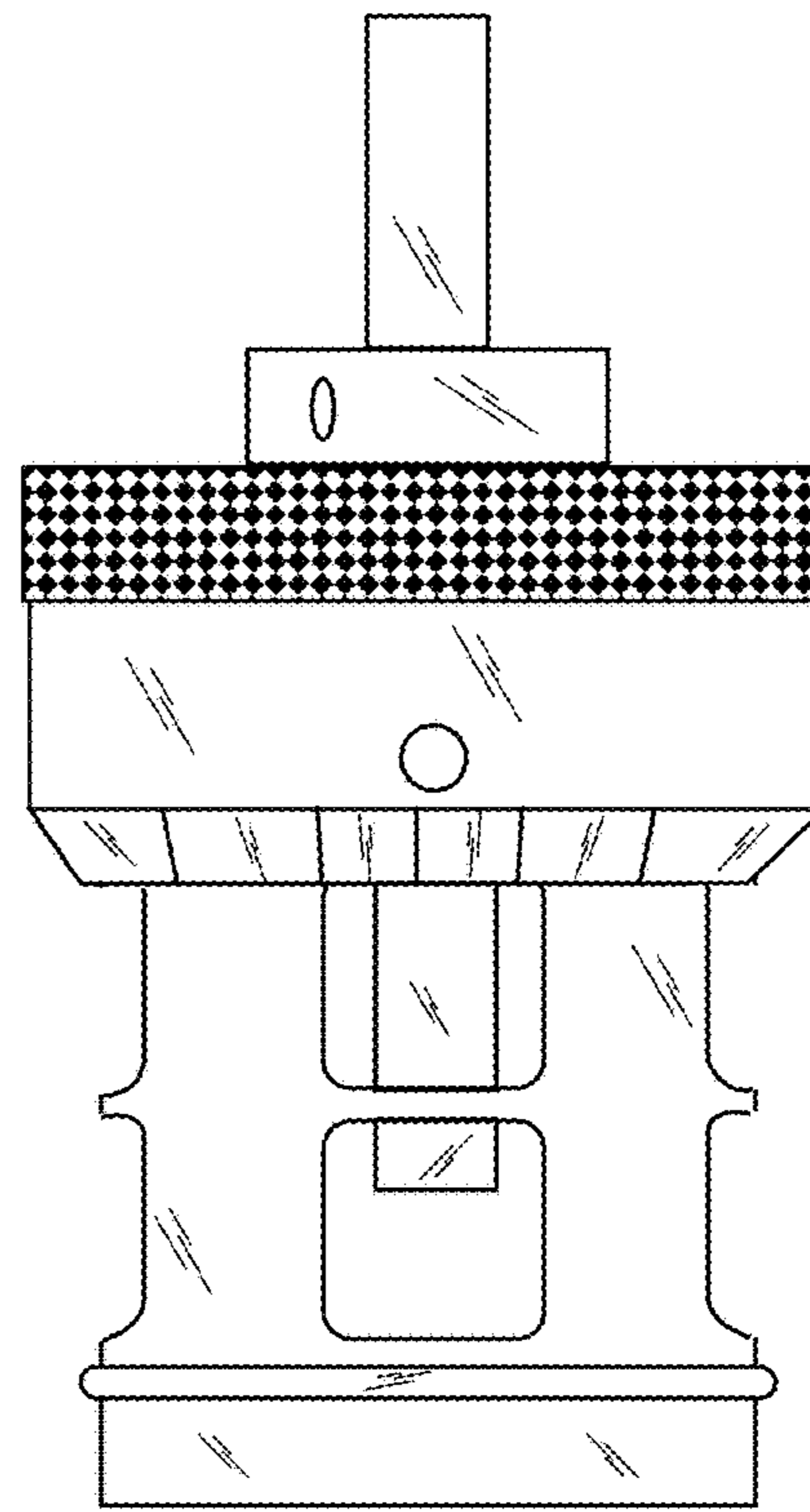


FIG. 3

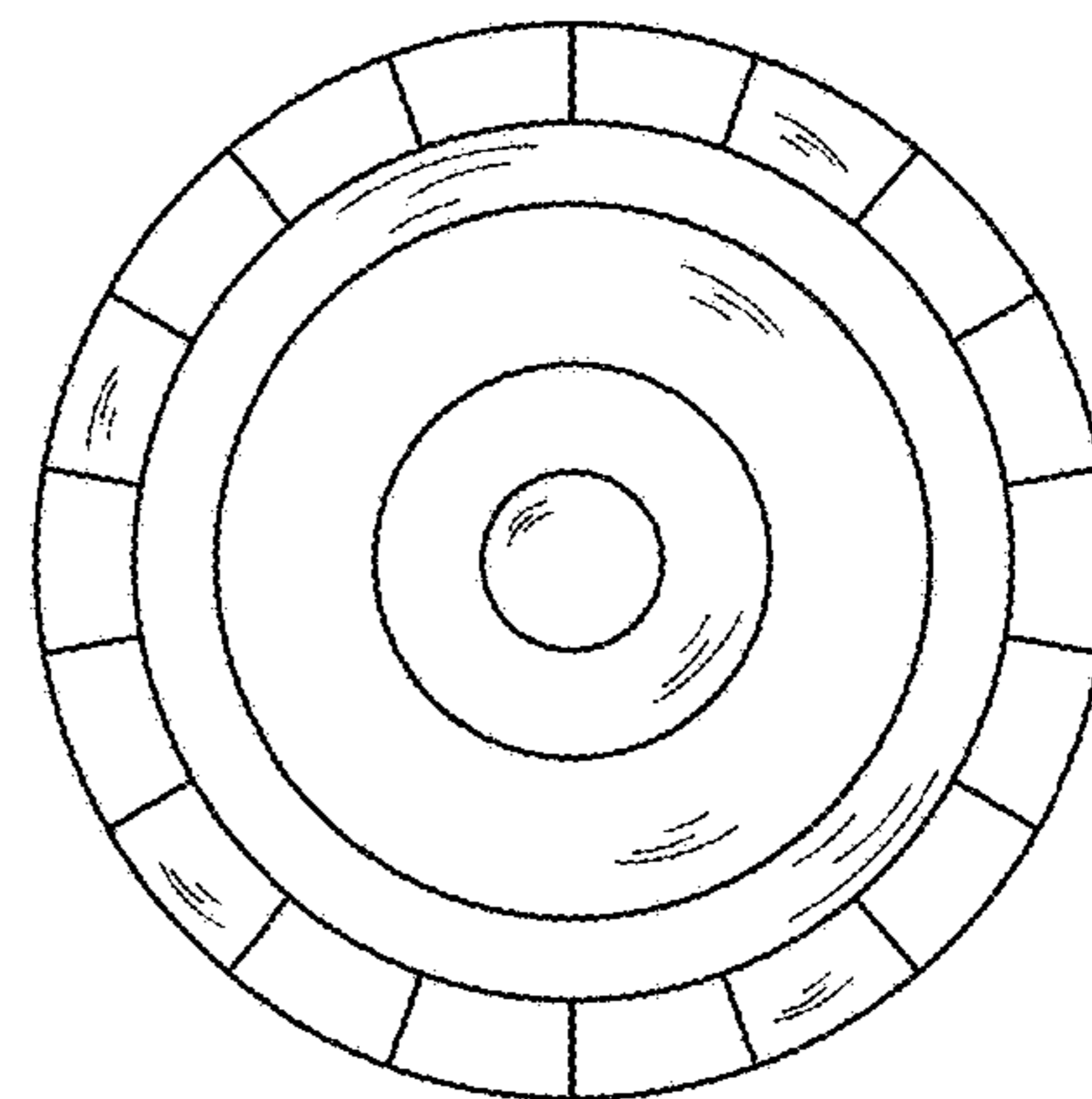


FIG. 4

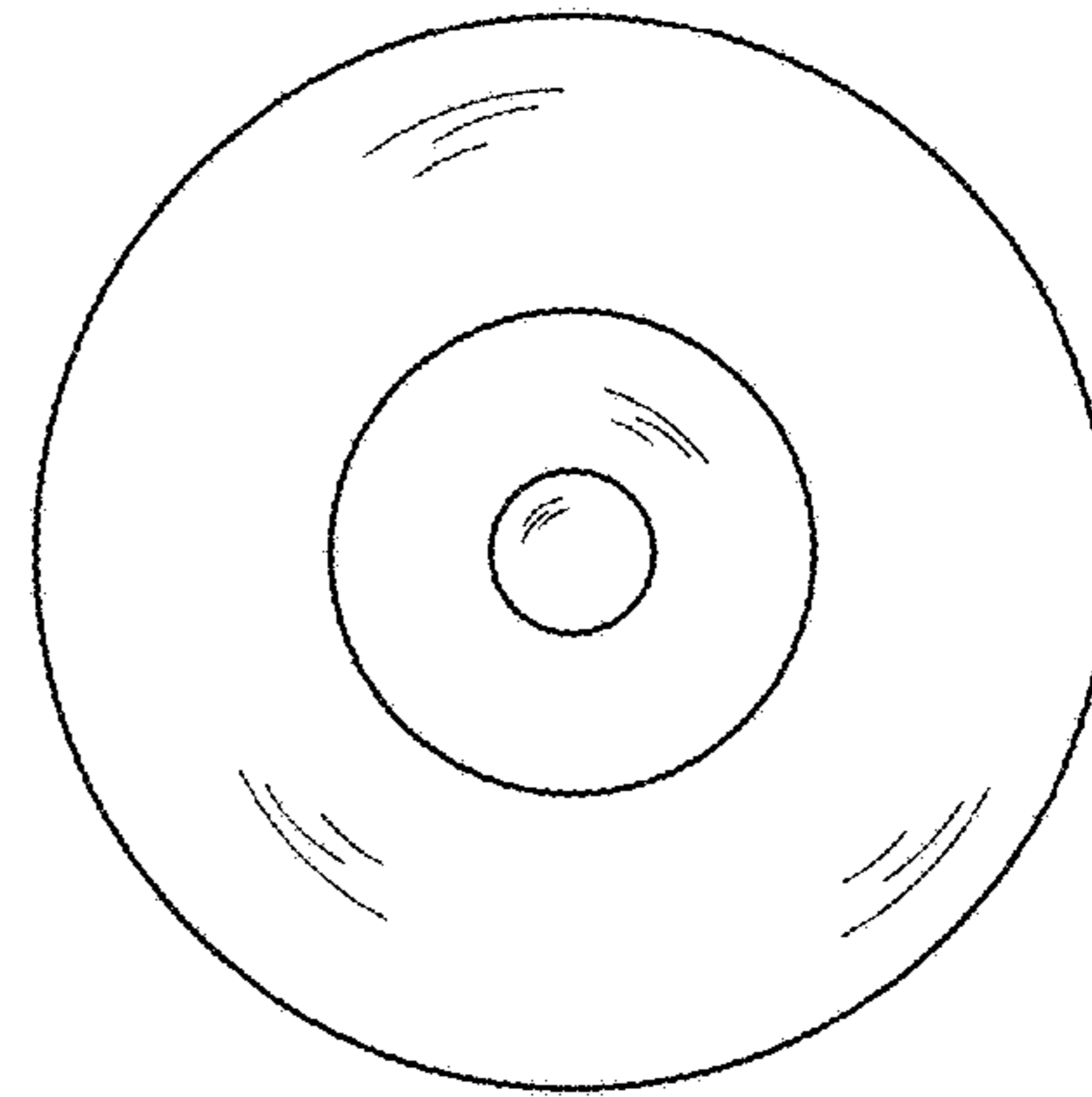


FIG. 5