



US00D850227S

(12) **United States Design Patent** (10) **Patent No.:** **US D850,227 S**  
**Spater** (45) **Date of Patent:** **\*\* Jun. 4, 2019**

(54) **CARABINER BOTTLE OPENER**  
(71) Applicant: **Christopher Spater**, Burlington, VT (US)  
(72) Inventor: **Christopher Spater**, Burlington, VT (US)  
(\*\*) Term: **15 Years**  
(21) Appl. No.: **29/636,318**  
(22) Filed: **Feb. 7, 2018**  
(51) **LOC (11) Cl.** ..... **07-99**  
(52) **U.S. Cl.**  
USPC ..... **D8/34**  
(58) **Field of Classification Search**  
USPC ..... D8/18, 33-43, 105, 107, 356, 367, 49, D8/50; D7/649, 650  
CPC ..... B67B 7/00; B67B 7/0423; B67B 7/12; B67B 7/16; B67B 7/18; B67B 7/32; B67B 7/34; B67B 7/44  
See application file for complete search history.

6,527,434 B1 3/2003 Fox et al.  
D475,591 S \* 6/2003 Luquire ..... D8/34  
D480,492 S 10/2003 Wu  
D485,431 S 1/2004 Hsu  
D489,600 S \* 5/2004 Pontaoe ..... D8/367  
D521,587 S 5/2006 Smith  
7,111,349 B2 9/2006 Goldberg  
D537,369 S 2/2007 Bao  
7,313,983 B1 1/2008 Book  
7,568,250 B2 8/2009 Menard-Flanagan  
D608,184 S 1/2010 Kelleghan  
7,683,790 B2 3/2010 Luquire  
D622,178 S 8/2010 Kelleghan  
D625,988 S \* 10/2010 Chan ..... D8/367  
D623,030 S 11/2010 Spater  
D626,393 S 11/2010 Ormsbee  
7,946,006 B2 \* 5/2011 Thompson ..... F16B 45/02 24/592.11  
  
D646,556 S 10/2011 Kelleghan  
8,113,481 B1 \* 2/2012 Krysak ..... A45F 5/021 24/343  
  
D656,430 S \* 3/2012 Spater ..... D11/210  
D661,573 S \* 6/2012 Paik ..... D8/367  
D668,528 S 10/2012 Chung  
(Continued)

Primary Examiner — Elizabeth A. Albert

(56) **References Cited**  
U.S. PATENT DOCUMENTS

D116,179 S 8/1939 Yates  
4,095,316 A 6/1978 Gabriel  
D273,273 S 4/1984 Faidide  
D281,483 S 11/1985 Faidide  
D282,904 S 3/1986 Faidide  
5,077,850 A \* 1/1992 Brubaker ..... A44B 15/005 224/163  
  
D348,214 S \* 6/1994 Girardin ..... D8/367  
D375,252 S \* 11/1996 Serra Fabregas ..... D8/356  
5,937,490 A 8/1999 Wichard  
D444,685 S 6/2001 Shenkel et al.  
D449,975 S \* 11/2001 Smith ..... D8/356  
D467,819 S 12/2002 Tang  
D468,997 S 1/2003 Chang  
D469,023 S 1/2003 Mah

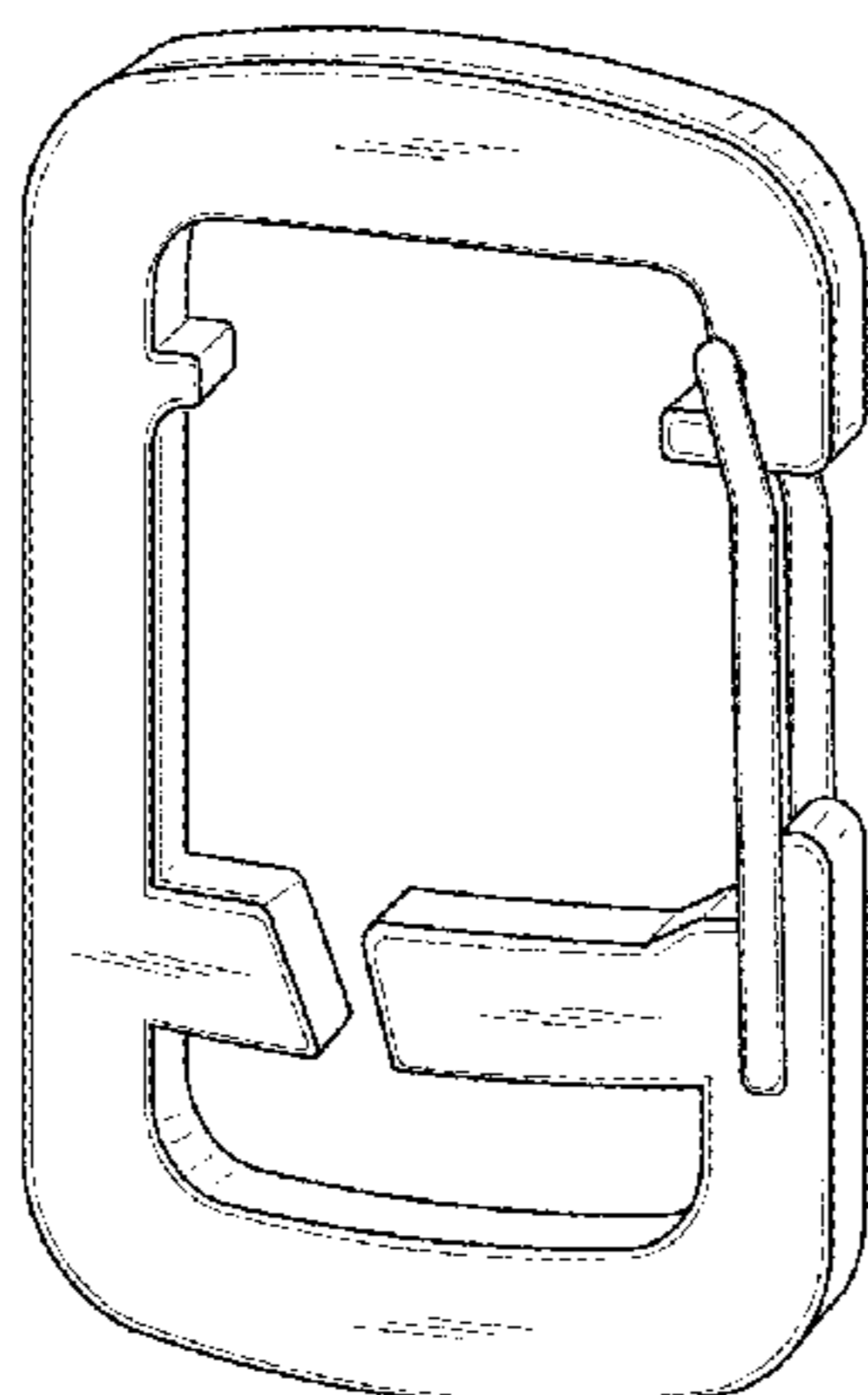
(57) **CLAIM**

The ornamental design for a carabiner bottle opener, as shown and described.

**DESCRIPTION**

FIG. 1 shows a perspective view of my design for a carabiner bottle opener.  
FIG. 2 is a front view thereof;  
FIG. 3 is a back view thereof;  
FIG. 4 is a top view thereof;  
FIG. 5 is a bottom view thereof;  
FIG. 6 is a side view thereof; and,  
FIG. 7 is another side view thereof.

**1 Claim, 2 Drawing Sheets**



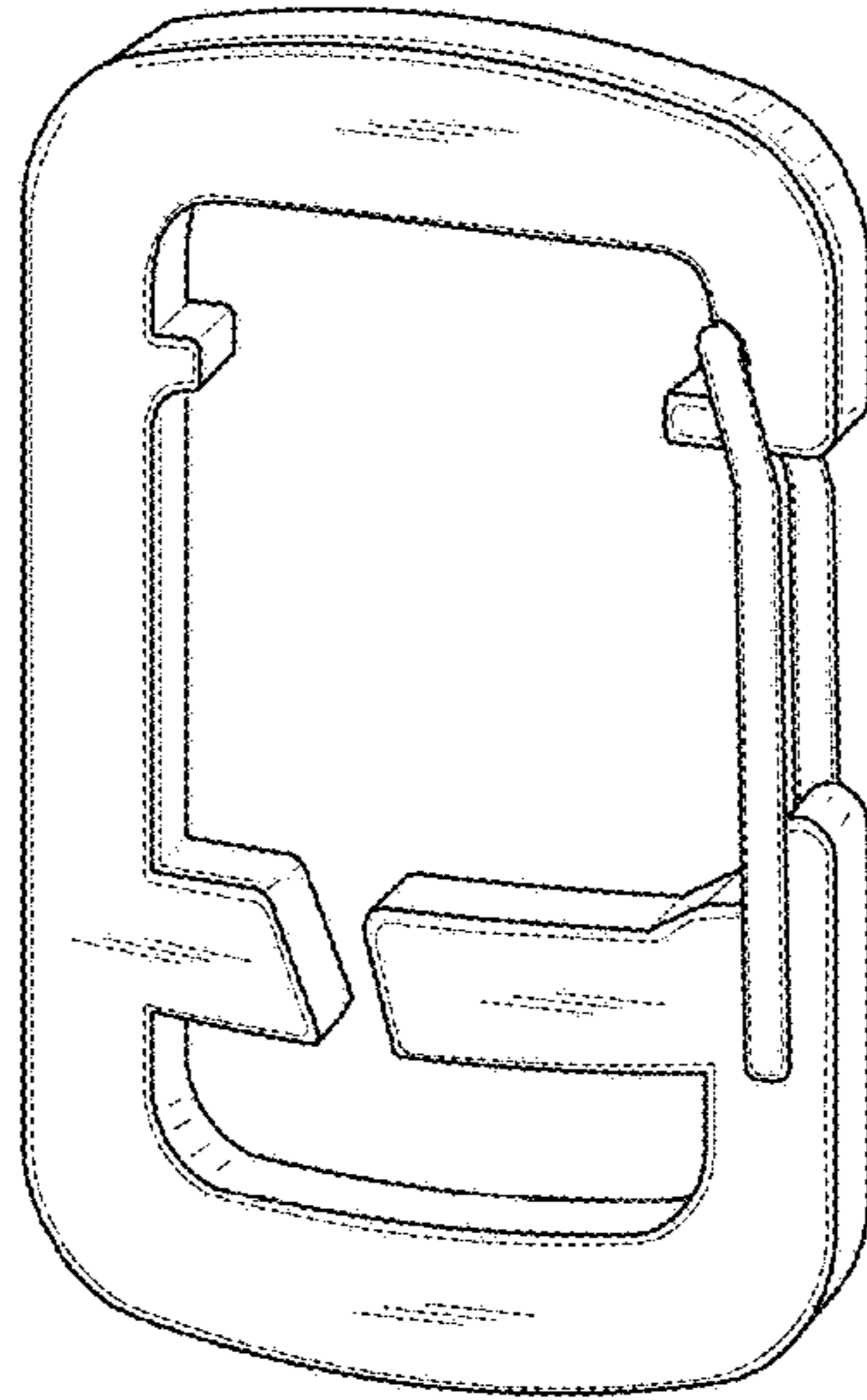
(56)

**References Cited**

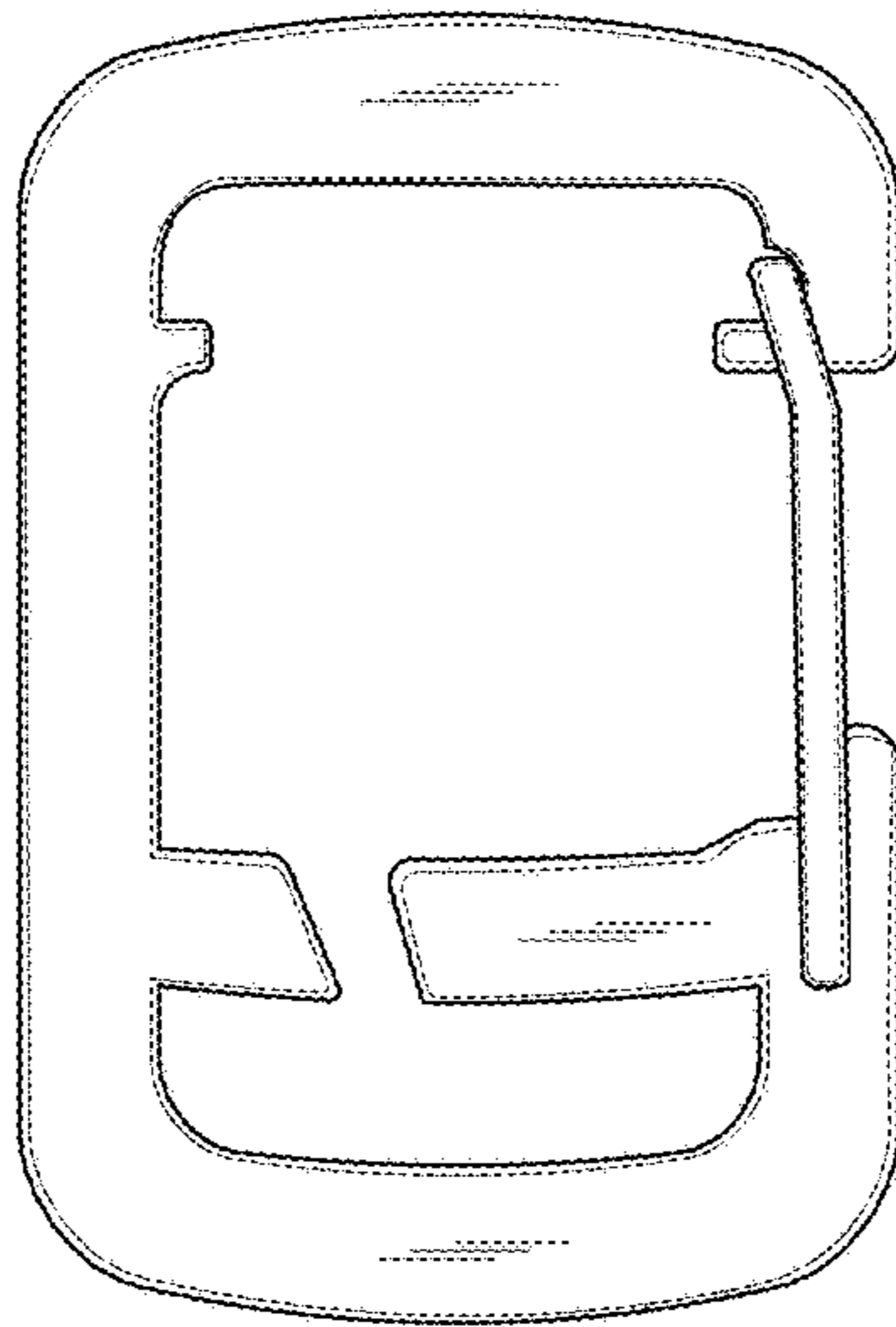
U.S. PATENT DOCUMENTS

D690,772	S	10/2013	Kado	
8,869,654	B2	10/2014	Fidrych	
D735,559	S *	8/2015	Liang .....	D8/356
D746,662	S *	1/2016	Kelleghan .....	D8/356
D748,013	S *	1/2016	Spater .....	D11/218
D758,307	S *	6/2016	Stump .....	D13/108
D758,824	S	6/2016	Kelleghan	
D765,493	S *	9/2016	Spater .....	D8/356
D772,029	S *	11/2016	Spater .....	D8/18
D773,911	S *	12/2016	Louis .....	D8/34
D785,317	S	5/2017	Grossman	
D786,655	S *	5/2017	Petzl .....	D8/356
D792,749	S	7/2017	Faro	
D792,922	S	7/2017	Benson	
D799,300	S	10/2017	Chang	
D801,139	S	10/2017	Cheng	
D801,599	S	10/2017	Macca et al.	
D807,725	S	1/2018	Chalfant	
D809,370	S *	2/2018	Tang .....	D8/356
D811,838	S *	3/2018	Enrico .....	D8/34
D821,090	S *	6/2018	Case .....	D3/207
D833,855	S *	11/2018	Page .....	D8/356
2009/0158899	A1	6/2009	Eisenbraun	
2014/0102259	A1	4/2014	Albrecht	

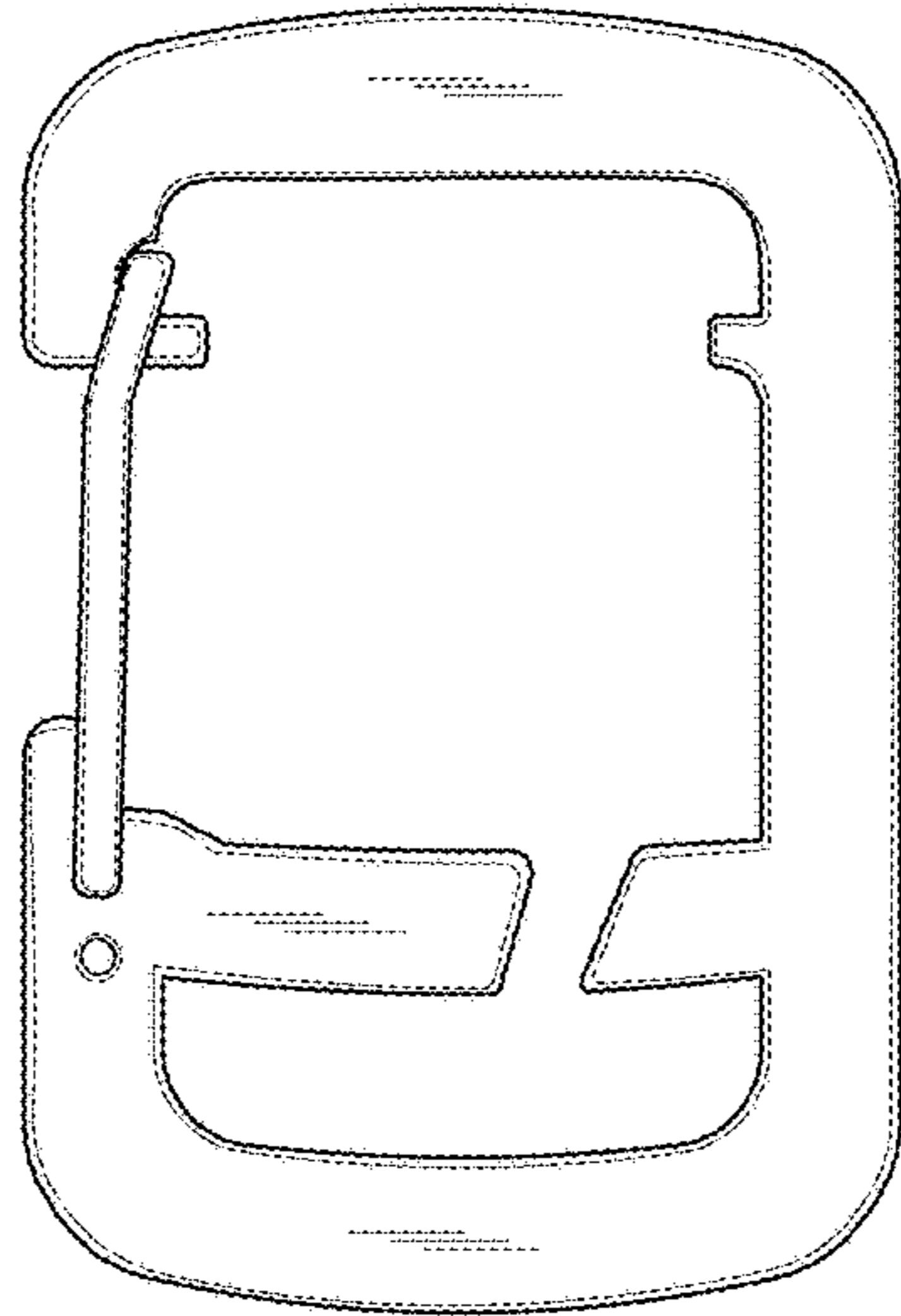
\* cited by examiner



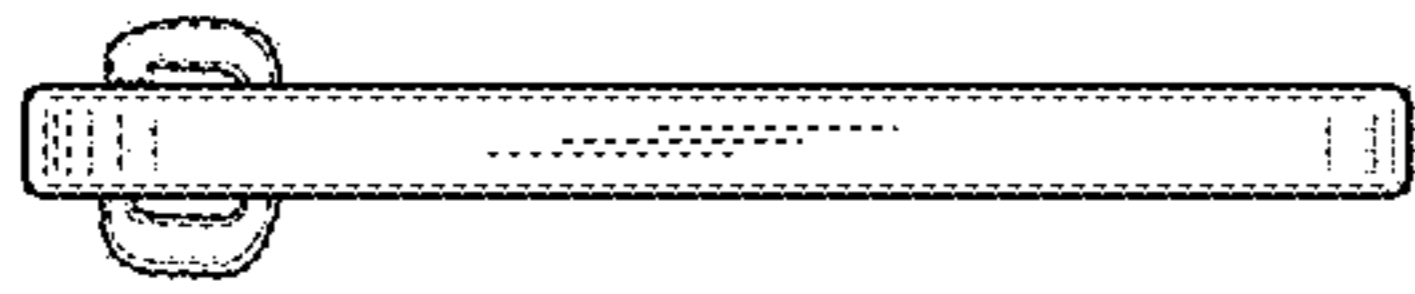
**Fig. 1**



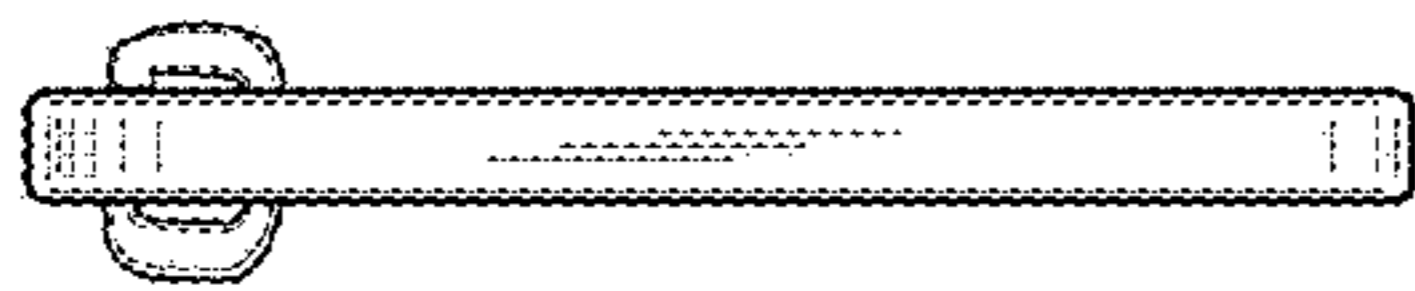
**Fig. 2**



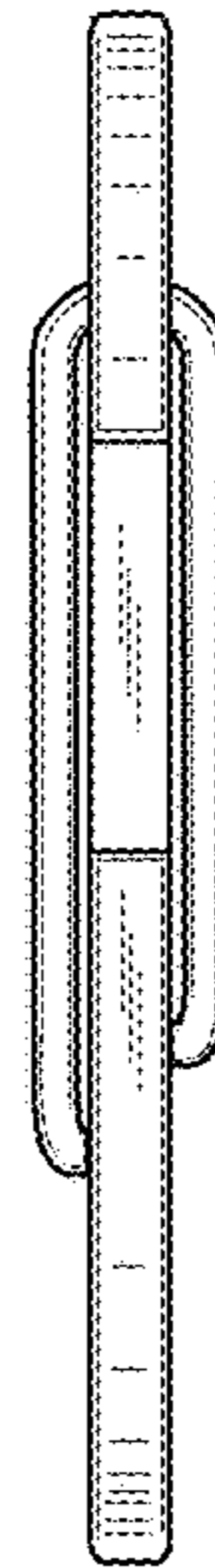
**Fig. 3**



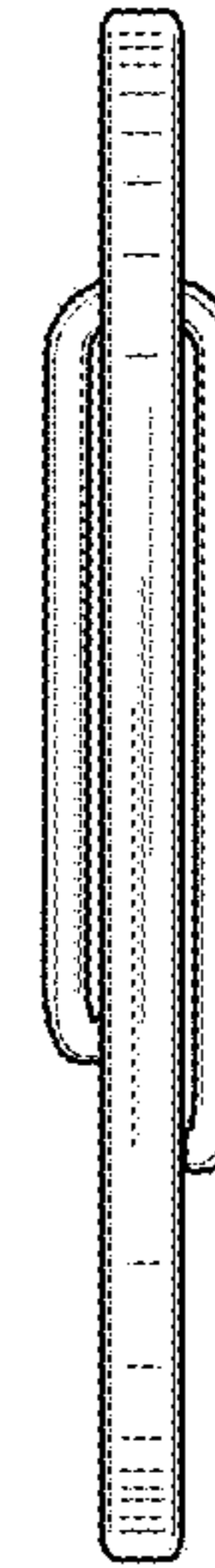
**Fig. 4**



**Fig. 5**



**Fig. 6**



**Fig. 7**