



US00D850224S

(12) **United States Design Patent** (10) **Patent No.:** **US D850,224 S**  
**James et al.** (45) **Date of Patent:** **\*\* Jun. 4, 2019**

(54) **COOKING CONTAINER**

D740,018 S \* 10/2015 Zhang ..... D3/201  
D741,114 S \* 10/2015 Weernink ..... D7/629  
D777,530 S \* 1/2017 Marret ..... D7/629

(71) Applicant: **MORPHY RICHARDS LIMITED**,  
Manvers, Rotherham (GB)

(Continued)

(72) Inventors: **Michael James**, Rotherham (GB); **Glyn Hauser**, Rotherham (GB); **Ross Eaves**, Rotherham (GB); **Samuel Carr**, Rotherham (GB)

*Primary Examiner* — Sheryl Lane  
*Assistant Examiner* — Nicole C Shiflet

(57) **CLAIM**

The ornamental design for a cooking container, as shown and described.

(\*\*) Term: **15 Years**

**DESCRIPTION**

(21) Appl. No.: **35/503,926**

2. Cooking container

(22) Filed: **Aug. 9, 2017**

2.1 : Perspective

(80) **Hague Agreement Data**

2.2 : Front

Int. Filing Date: **Aug. 9, 2017**

2.3 : Left

Int. Reg. No.: **DM/098257**

2.4 : Right

Int. Reg. Date: **Aug. 9, 2017**

2.5 : Back

Int. Reg. Pub. Date: **Nov. 10, 2017**

2.6 : Top

(51) **LOC (11) Cl.** ..... **07-07**

2.7 : Bottom

(52) **U.S. Cl.**

2.8 : Component 1 view front

USPC ..... **D7/701**

2.9 : Component 1 view left

(58) **Field of Classification Search**

USPC ..... D7/701, 703, 705, 708, 708.1, 709, 601,  
D7/602, 605, 607, 629; D9/761, 432;  
D3/201, 273, 274, 282, 265, 266

2.10 : Component 1 view right

CPC ..... A45C 11/20; A47J 47/14; A47J 47/02

2.11 : Component 1 view back

See application file for complete search history.

2.12 : Component 1 view top

(56) **References Cited**

**U.S. PATENT DOCUMENTS**

D49,217 S \* 6/1916 King ..... D3/265  
D287,336 S \* 12/1986 Roehrig ..... D3/295  
D467,129 S \* 12/2002 Martin Perianes ..... D7/605  
D469,320 S \* 1/2003 Pettaweebuncha ..... D7/629  
D634,115 S \* 3/2011 Long, Jr. .... D3/201  
D641,164 S \* 7/2011 Cornu ..... D3/294  
D683,596 S \* 6/2013 Ellerstorfer ..... D7/629  
D689,337 S \* 9/2013 Fried ..... D7/601

2.13 : Component 1 view bottom

2.14 : Component 2 view front

2.15 : Component 2 view left

2.16 : Component 2 view right

2.17 : Component 2 view back

2.18 : Component 2 view top

2.19 : Component 2 view bottom

2.20 : Exploded view perspective

2.21 : Exploded view front

2.22 : Exploded view left

2.23 : Exploded view right

2.24 : Exploded view back

2.25 : Disassembled view perspective

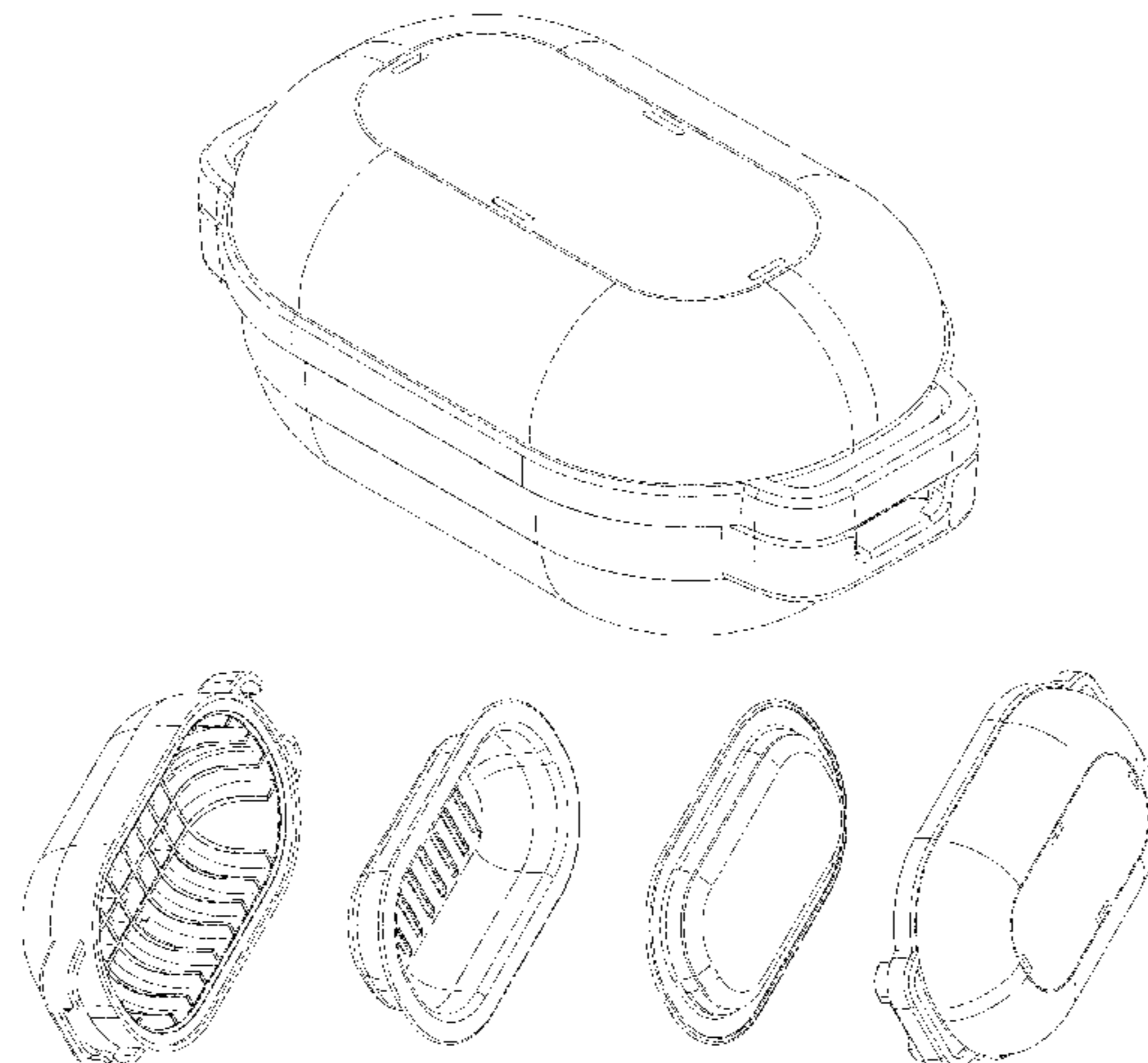
2.26 : Disassembled view front

2.27 : Disassembled view left

2.28 : Disassembled view right

2.29 : Disassembled view back

**1 Claim, 29 Drawing Sheets**



(56)

**References Cited**

U.S. PATENT DOCUMENTS

D803,631 S \* 11/2017 Min ..... D7/605  
D817,113 S \* 5/2018 Wong ..... D7/629

\* cited by examiner

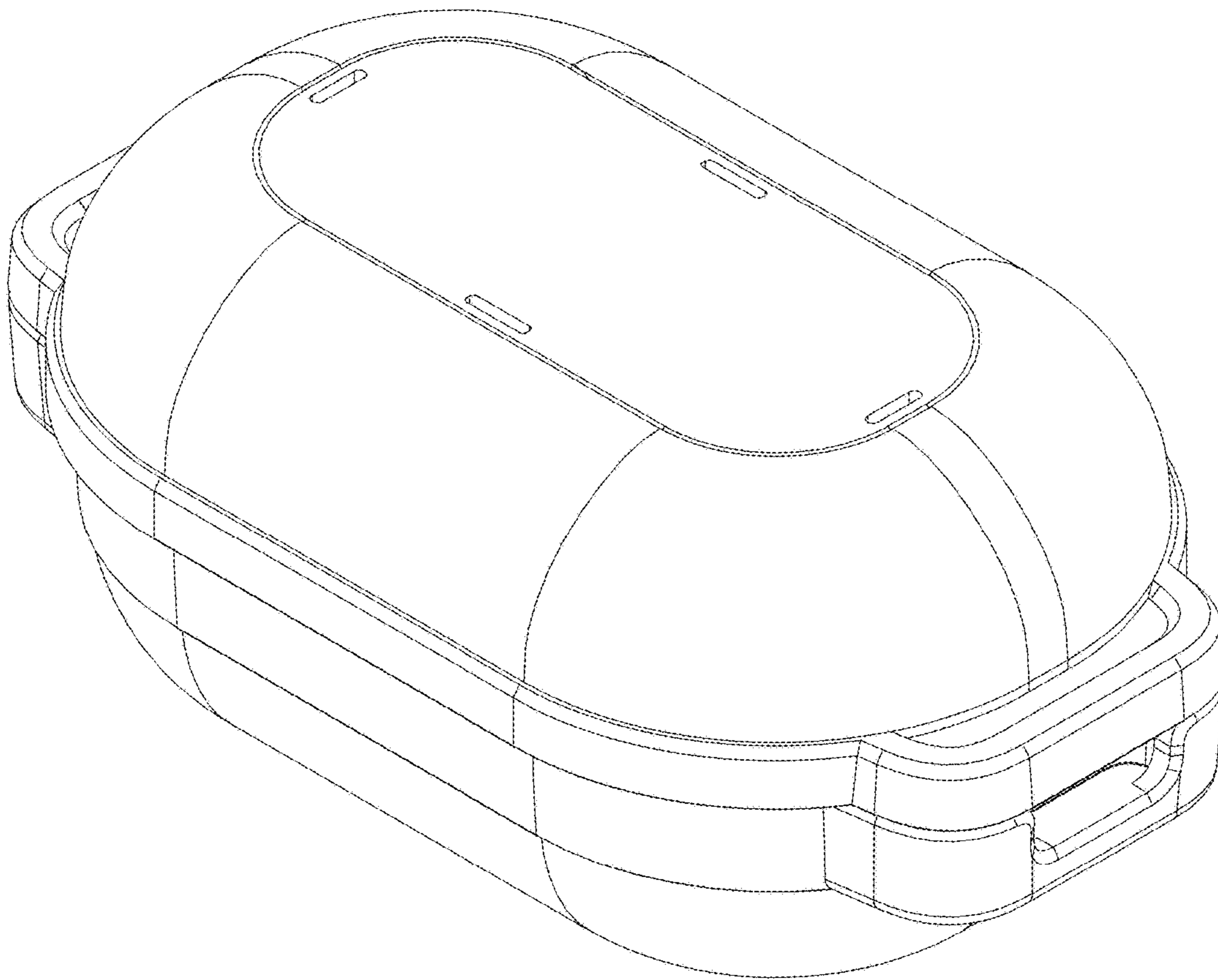


Figure 2.1

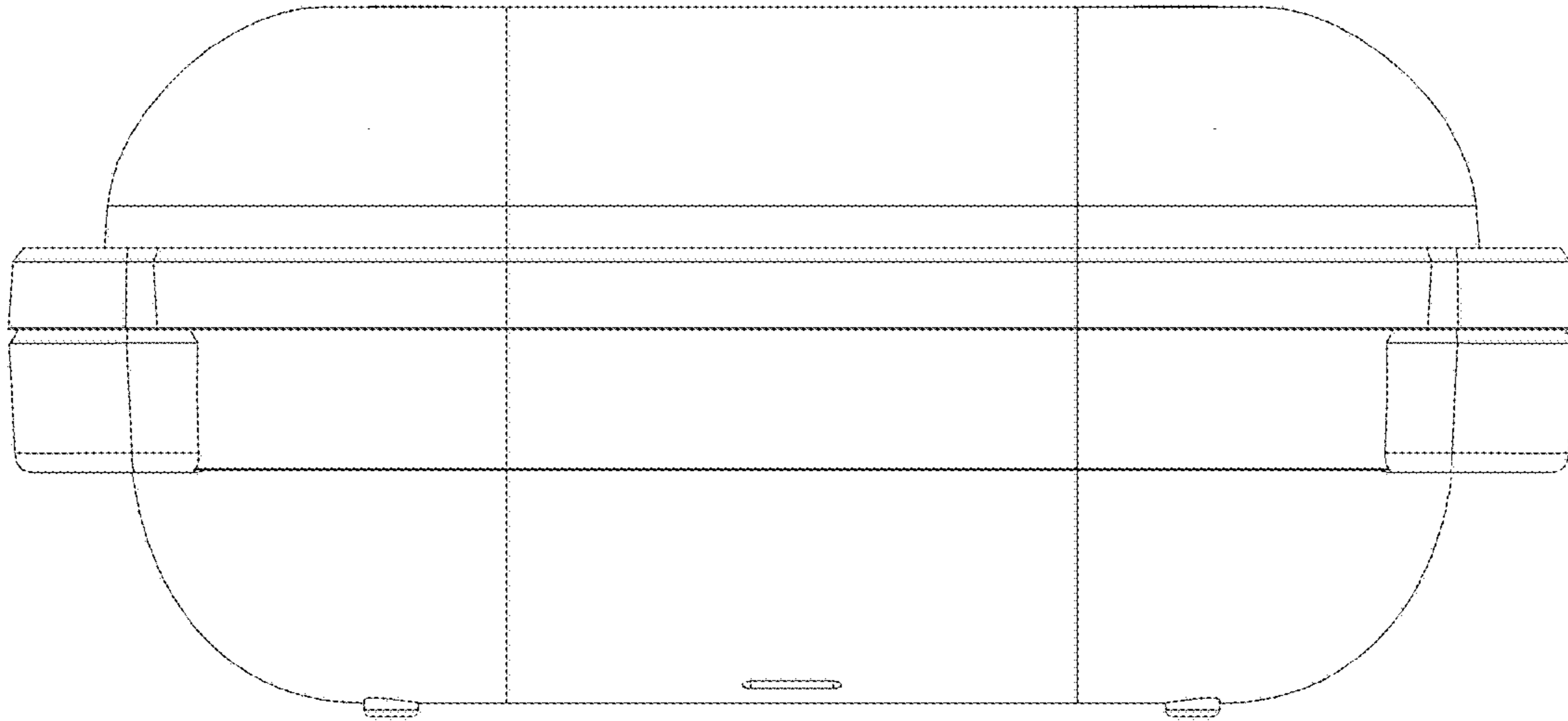


Figure 2.2

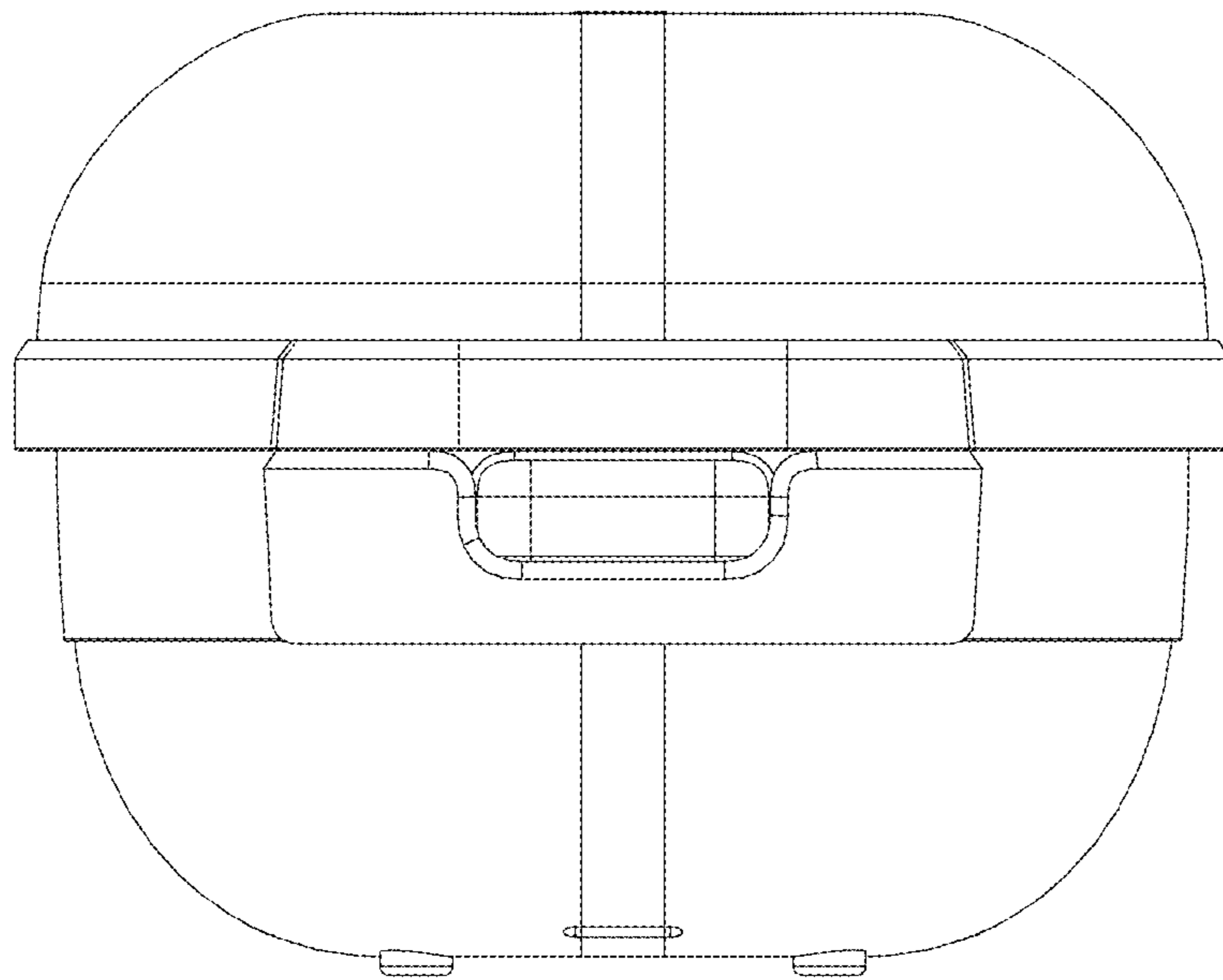


Figure 2.3

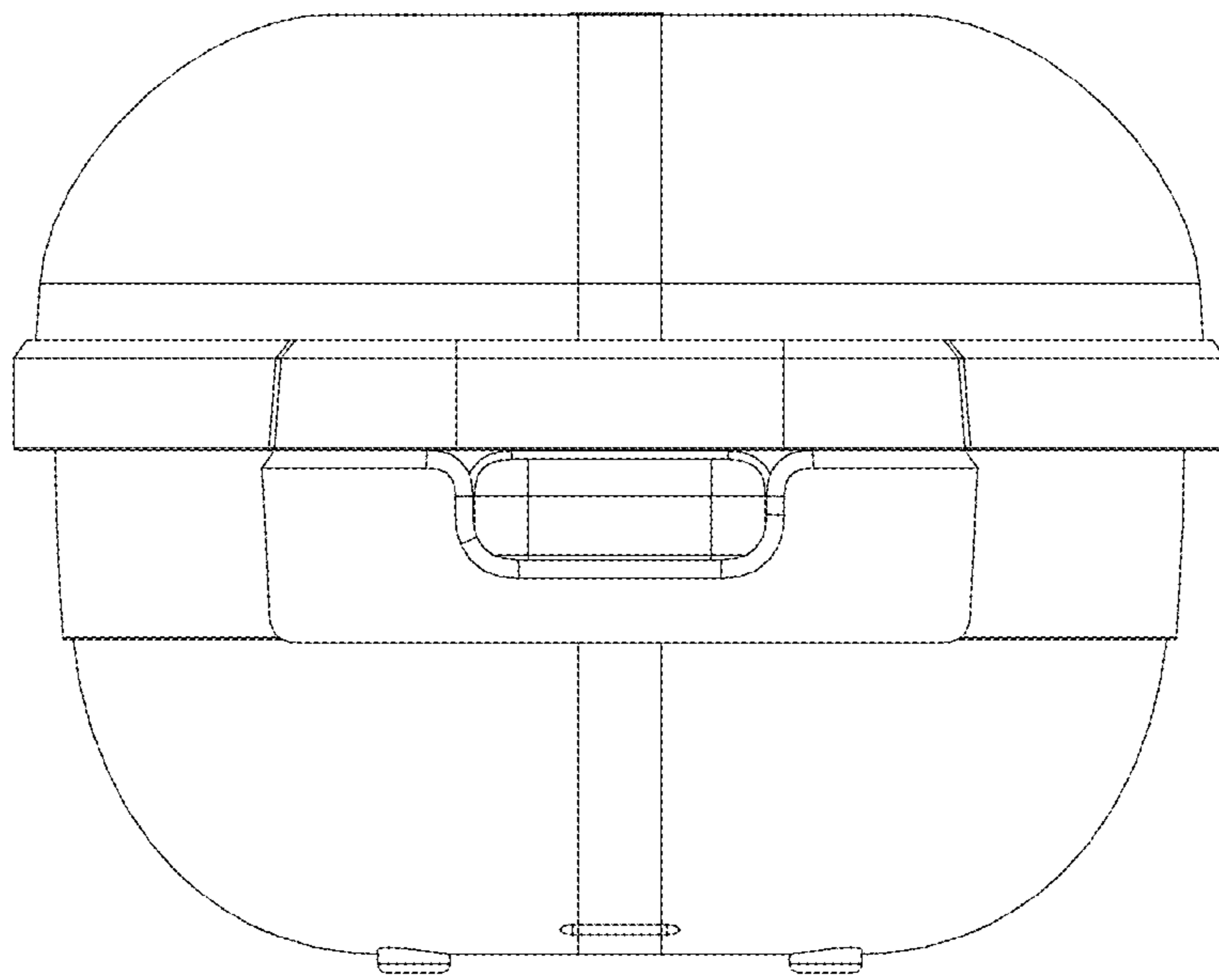


Figure 2.4

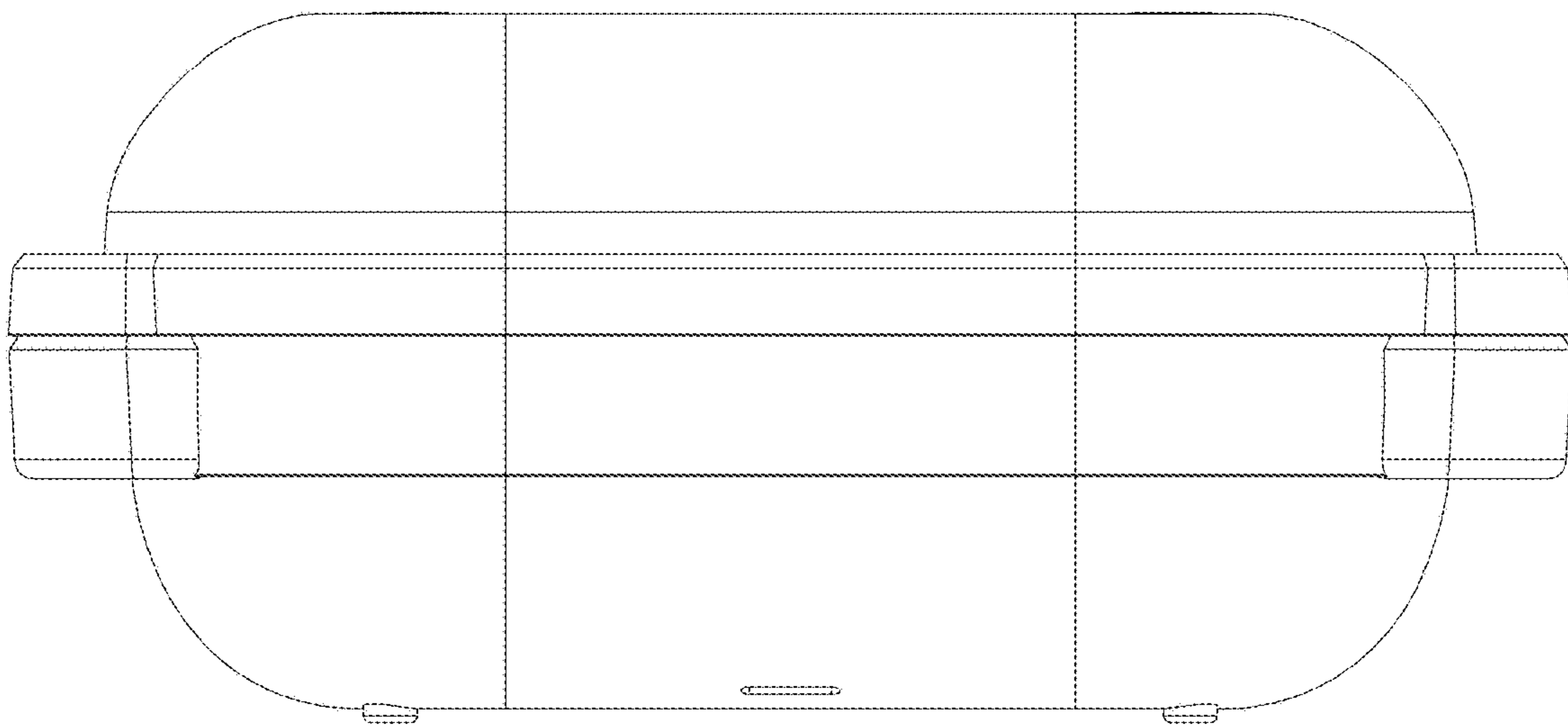


Figure 2.5

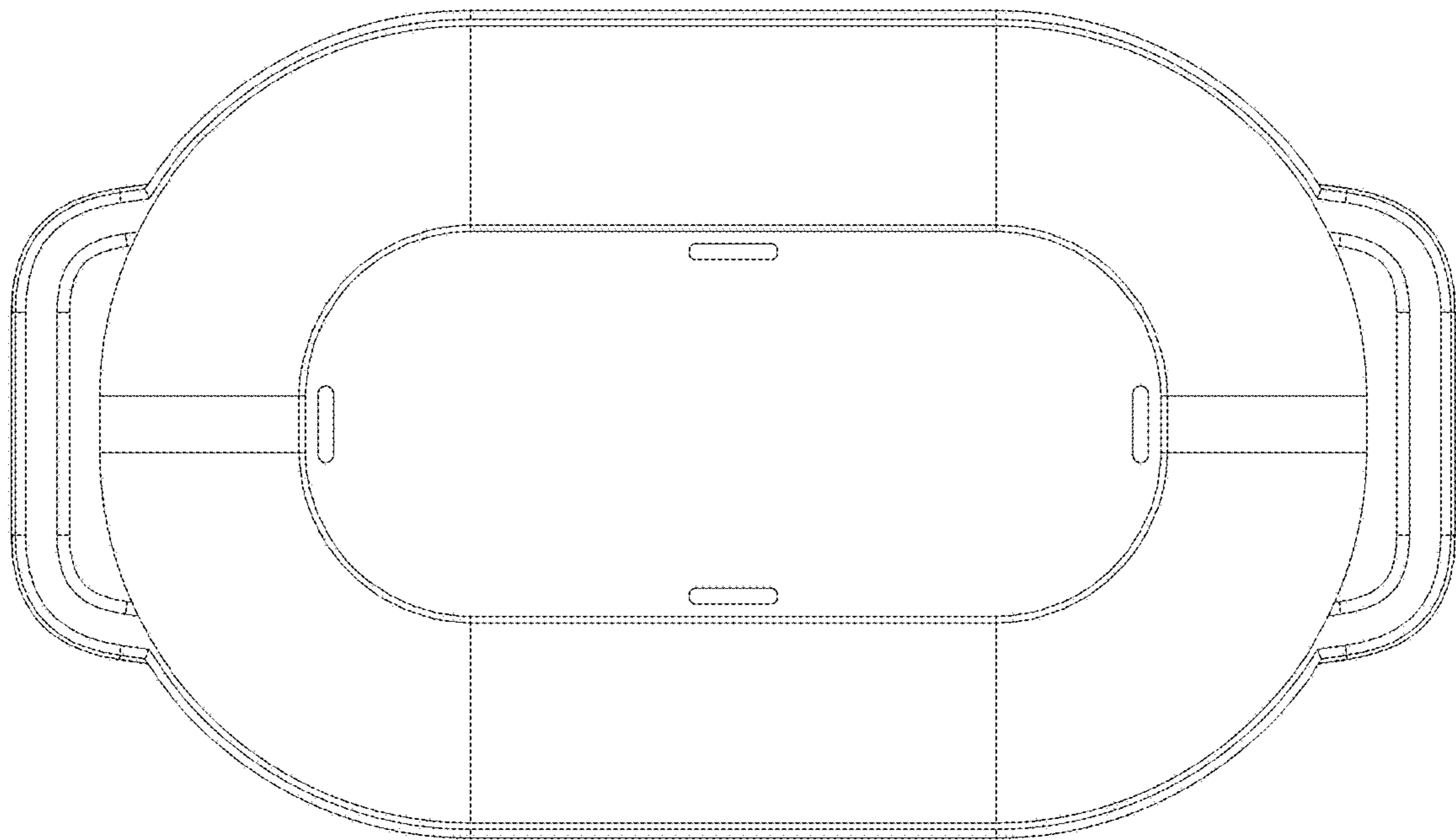


Figure 2.6



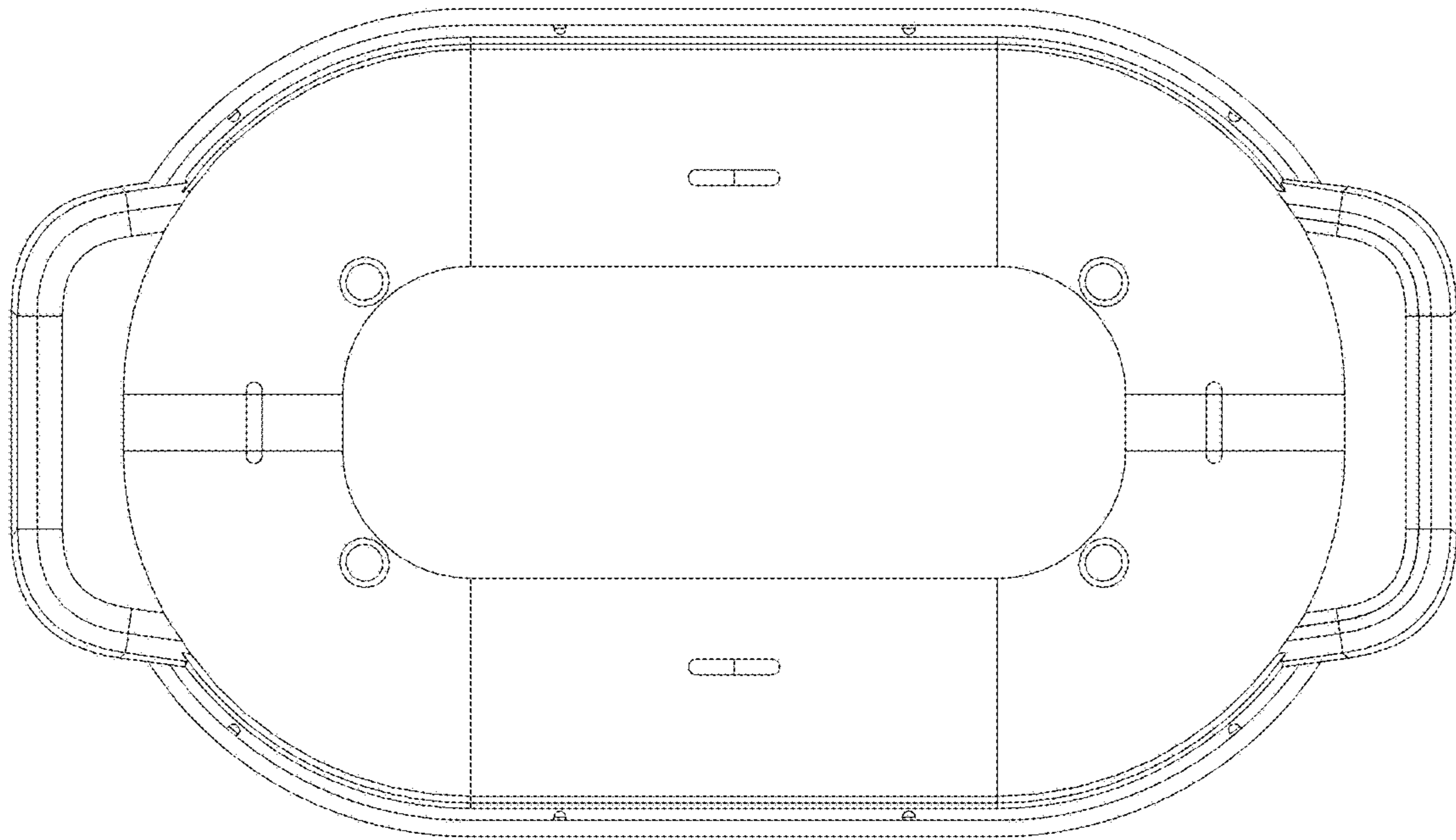


Figure 2.7

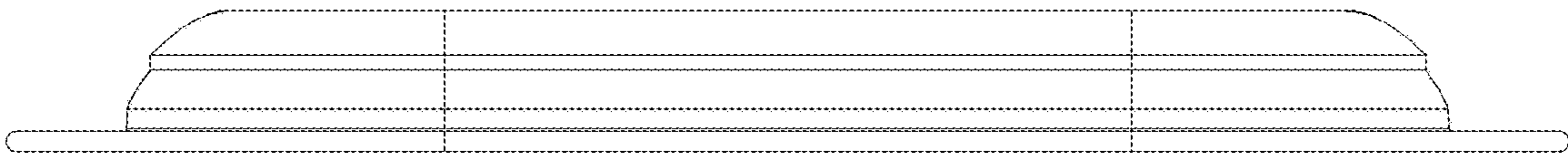


Figure 2.8

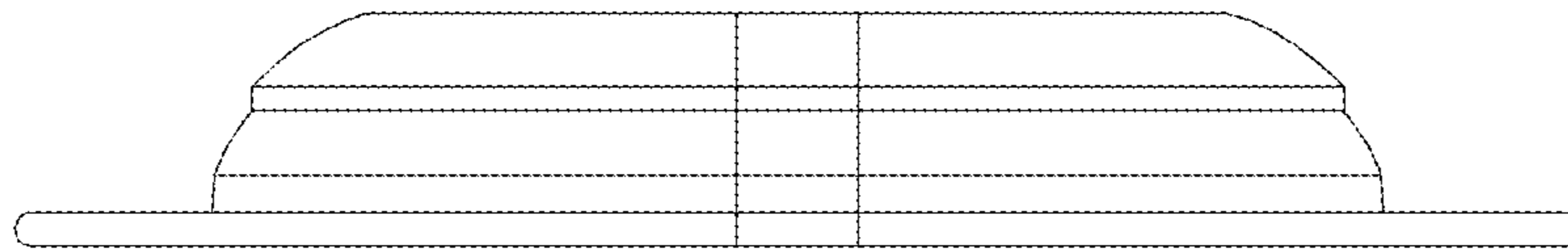


Figure 2.9

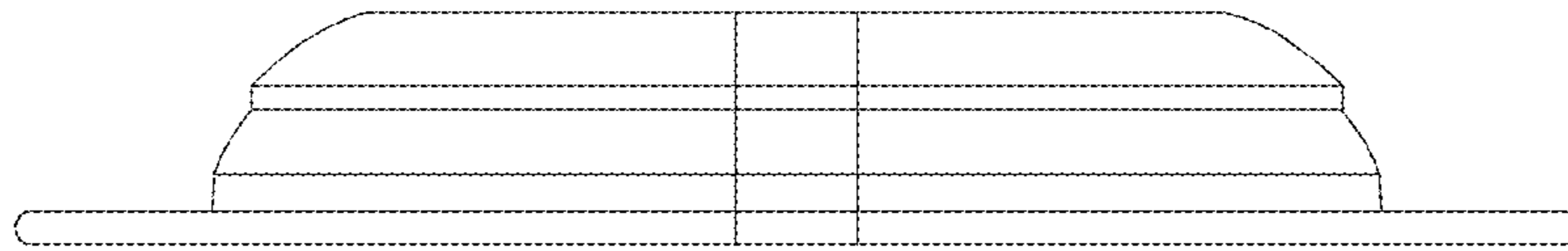


Figure 2.10

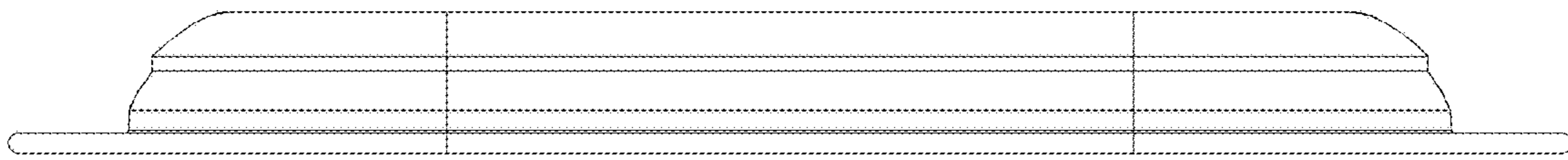


Figure 2.11

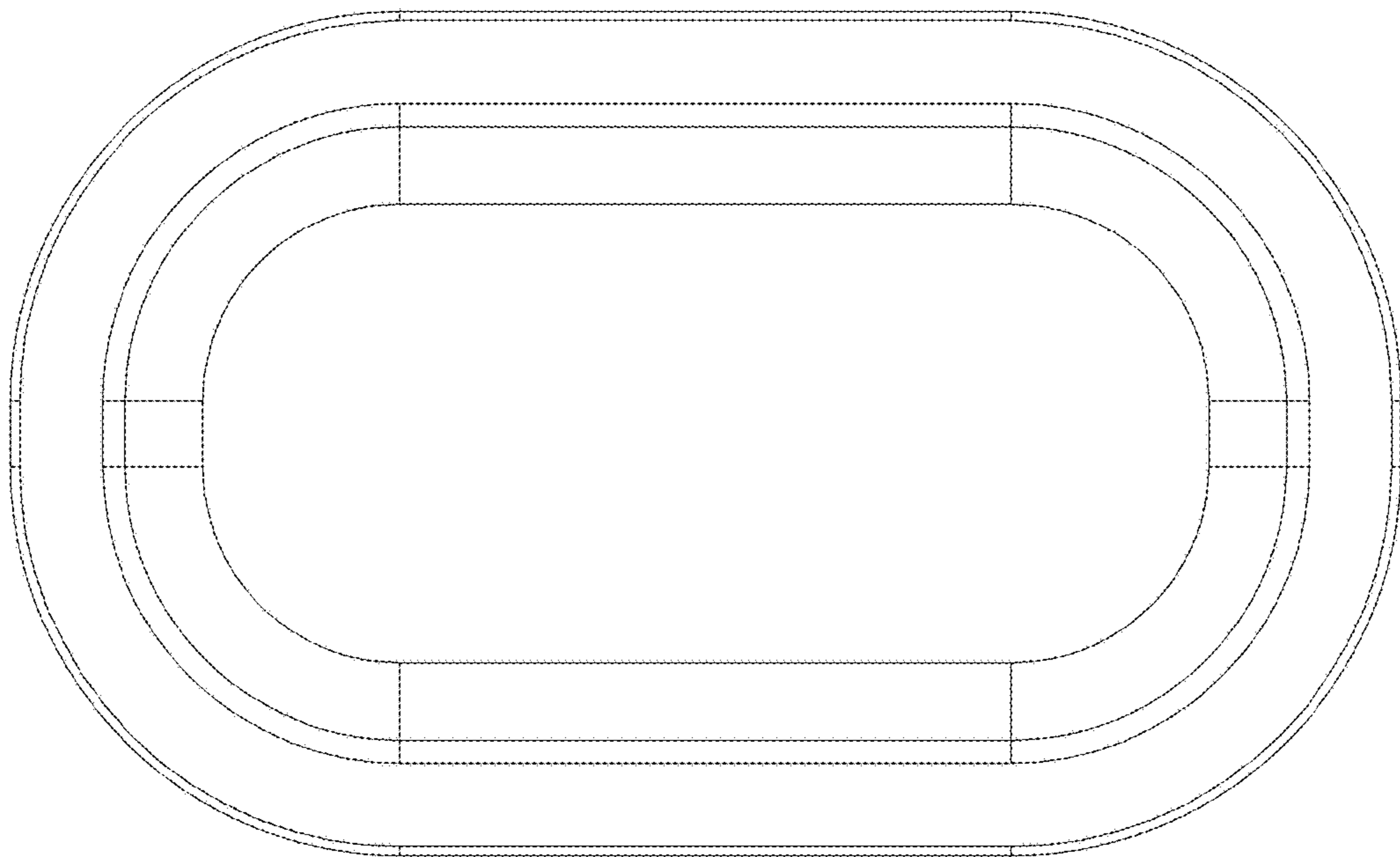


Figure 2.12

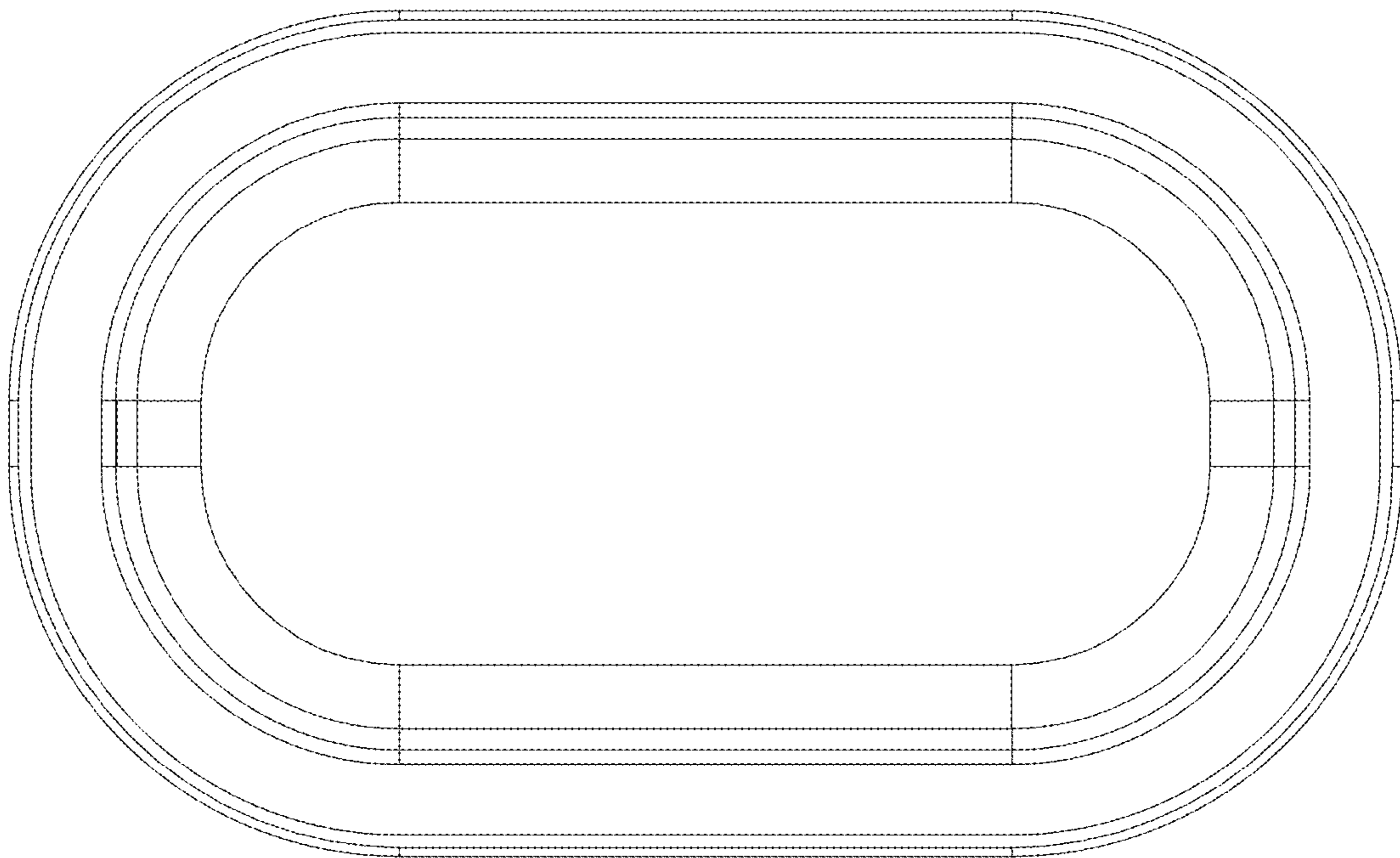


Figure 2.13

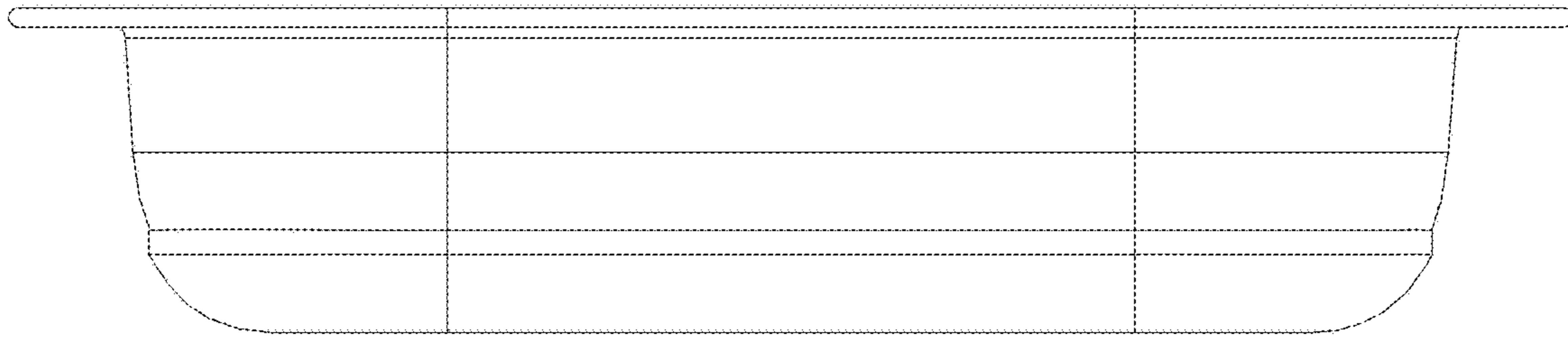


Figure 2.14



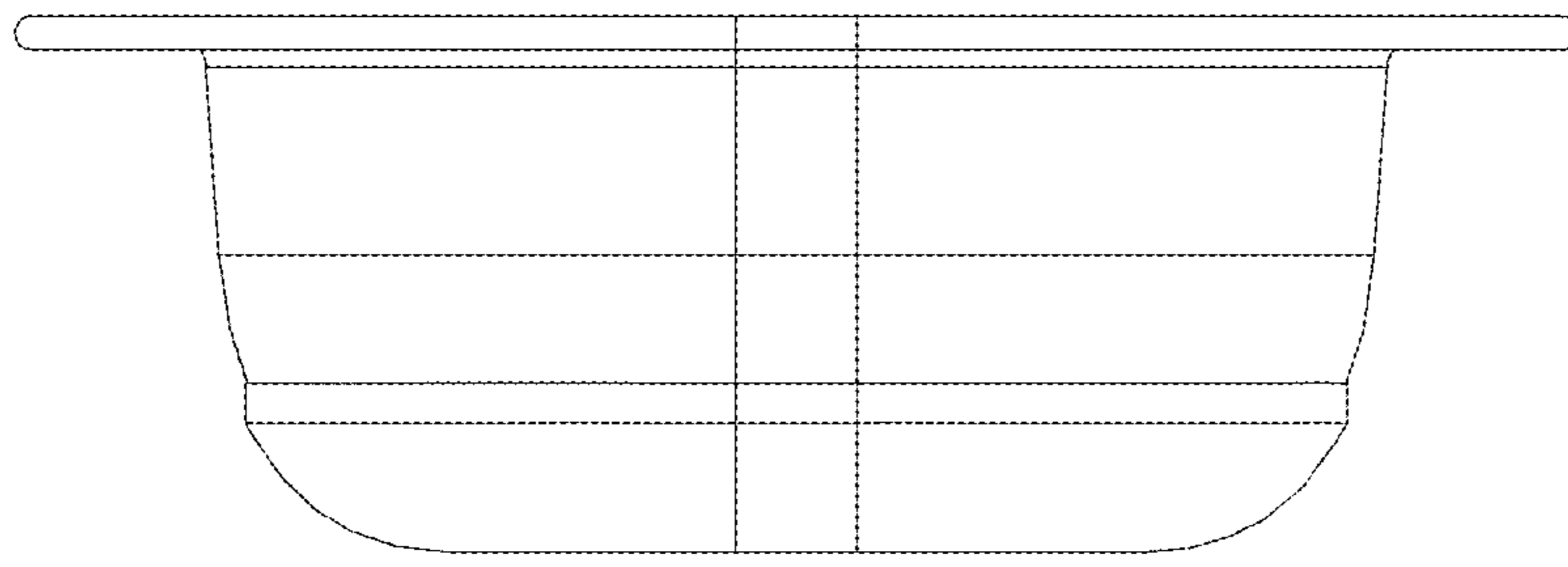


Figure 2.15

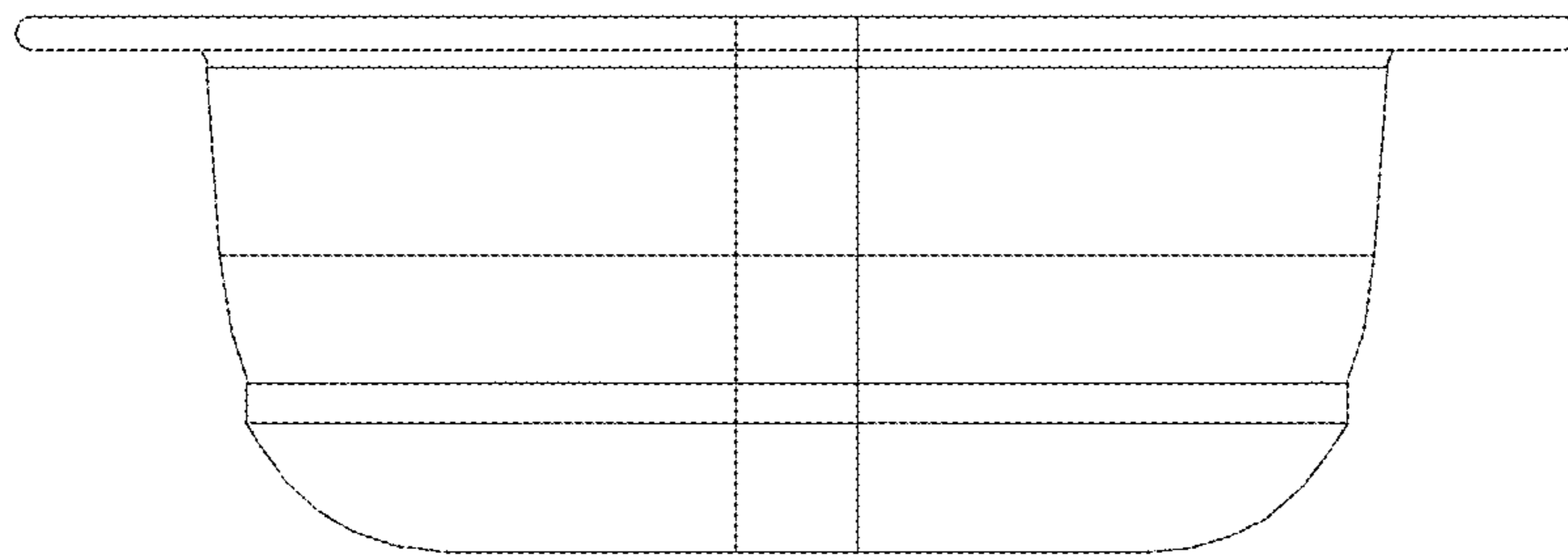


Figure 2.16

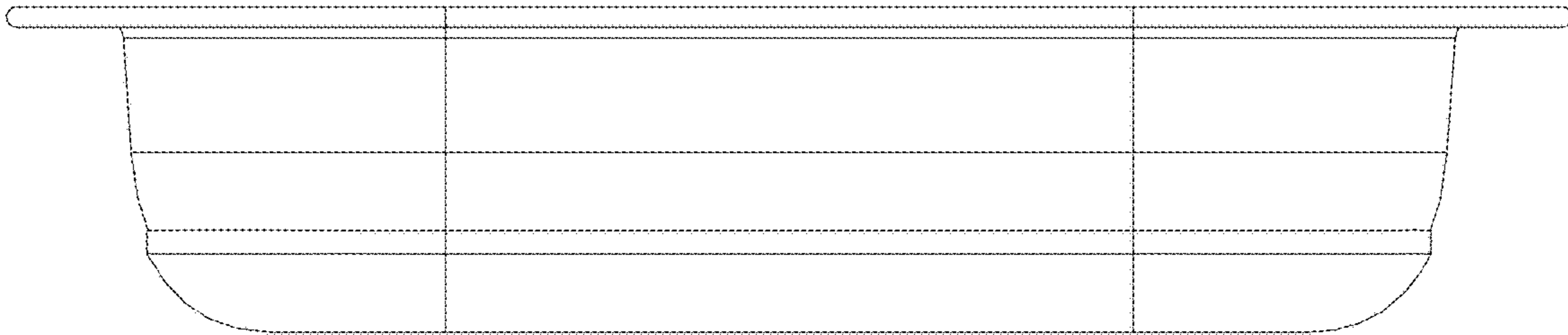


Figure 2.17

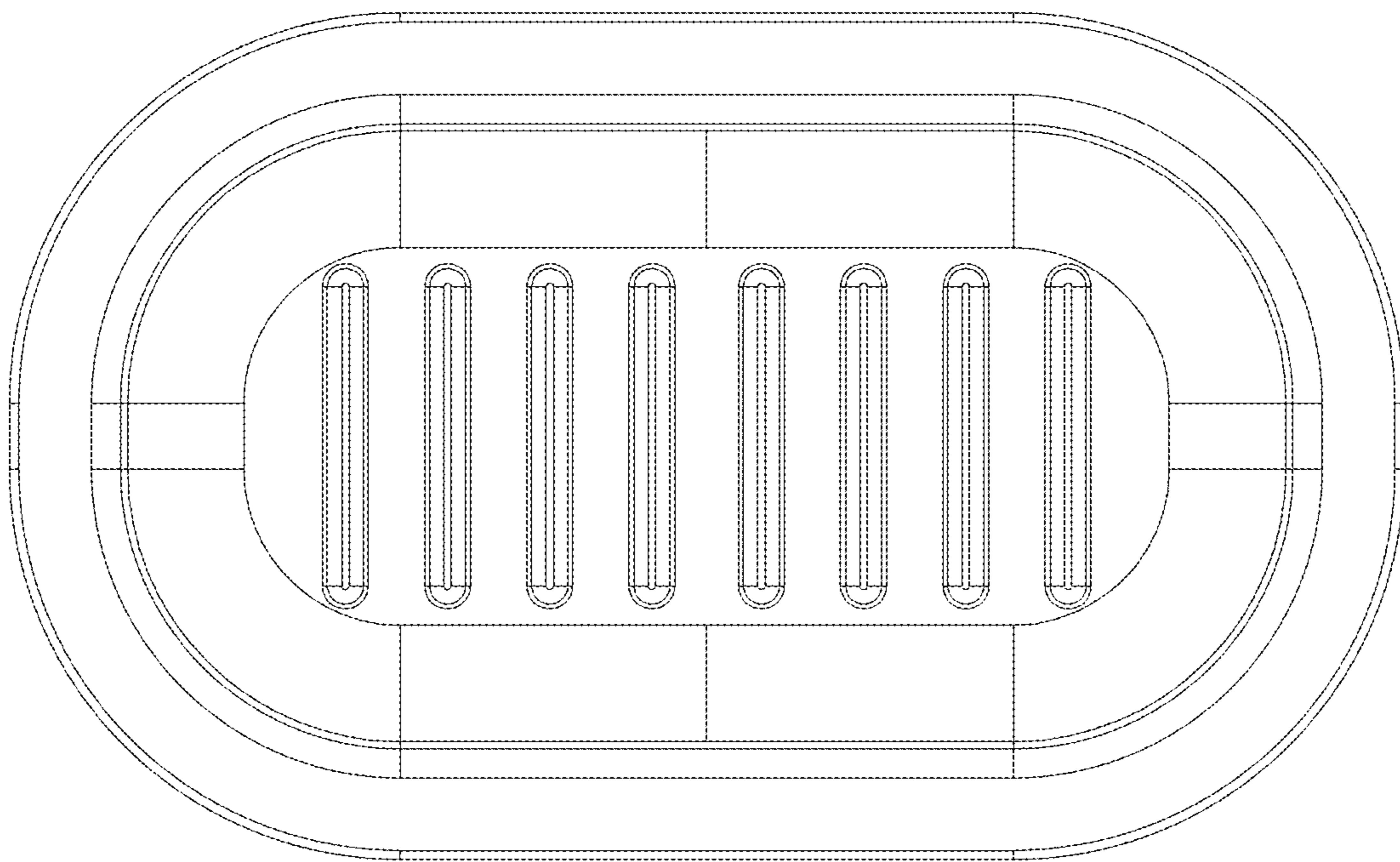


Figure 2.18

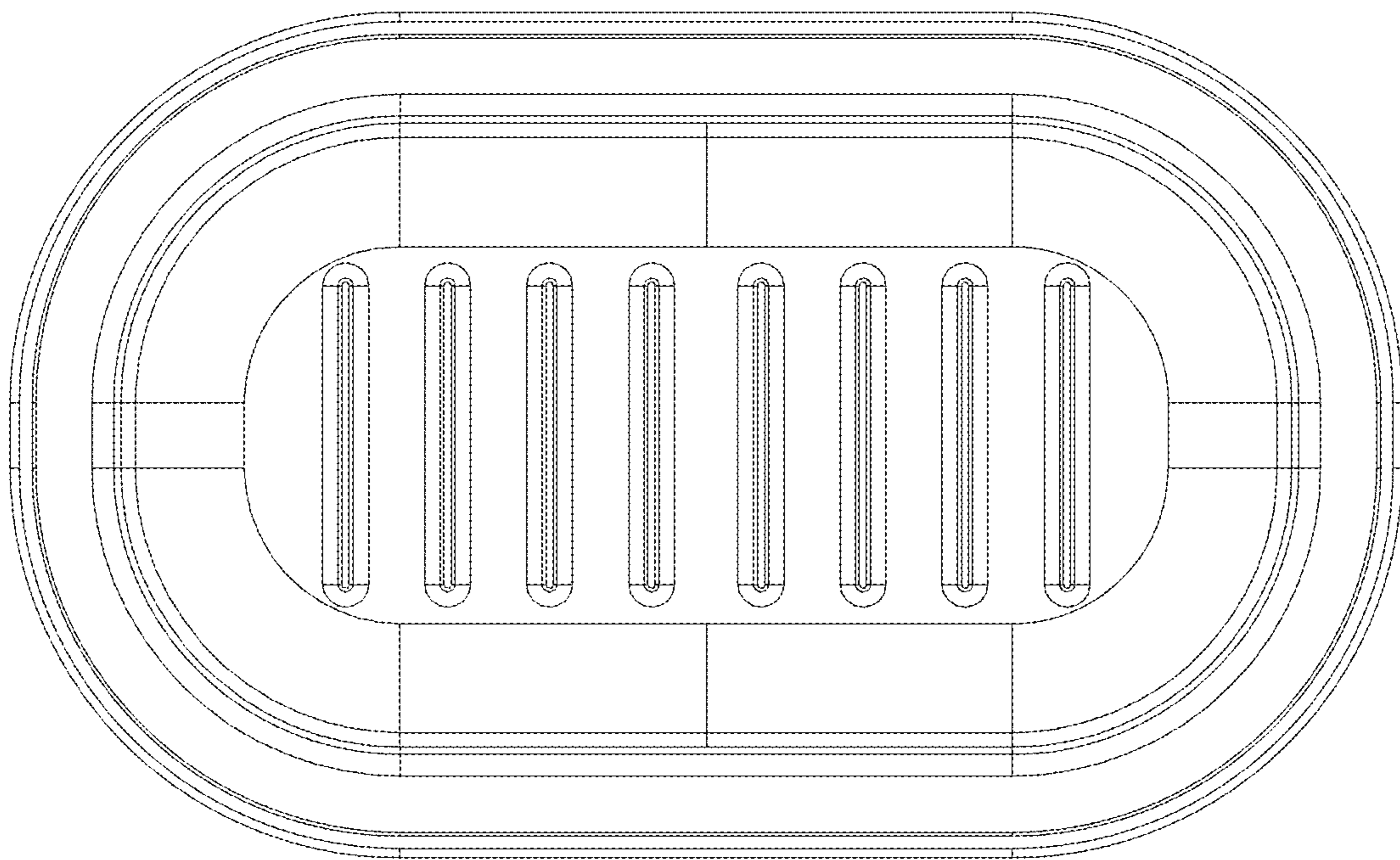


Figure 2.19

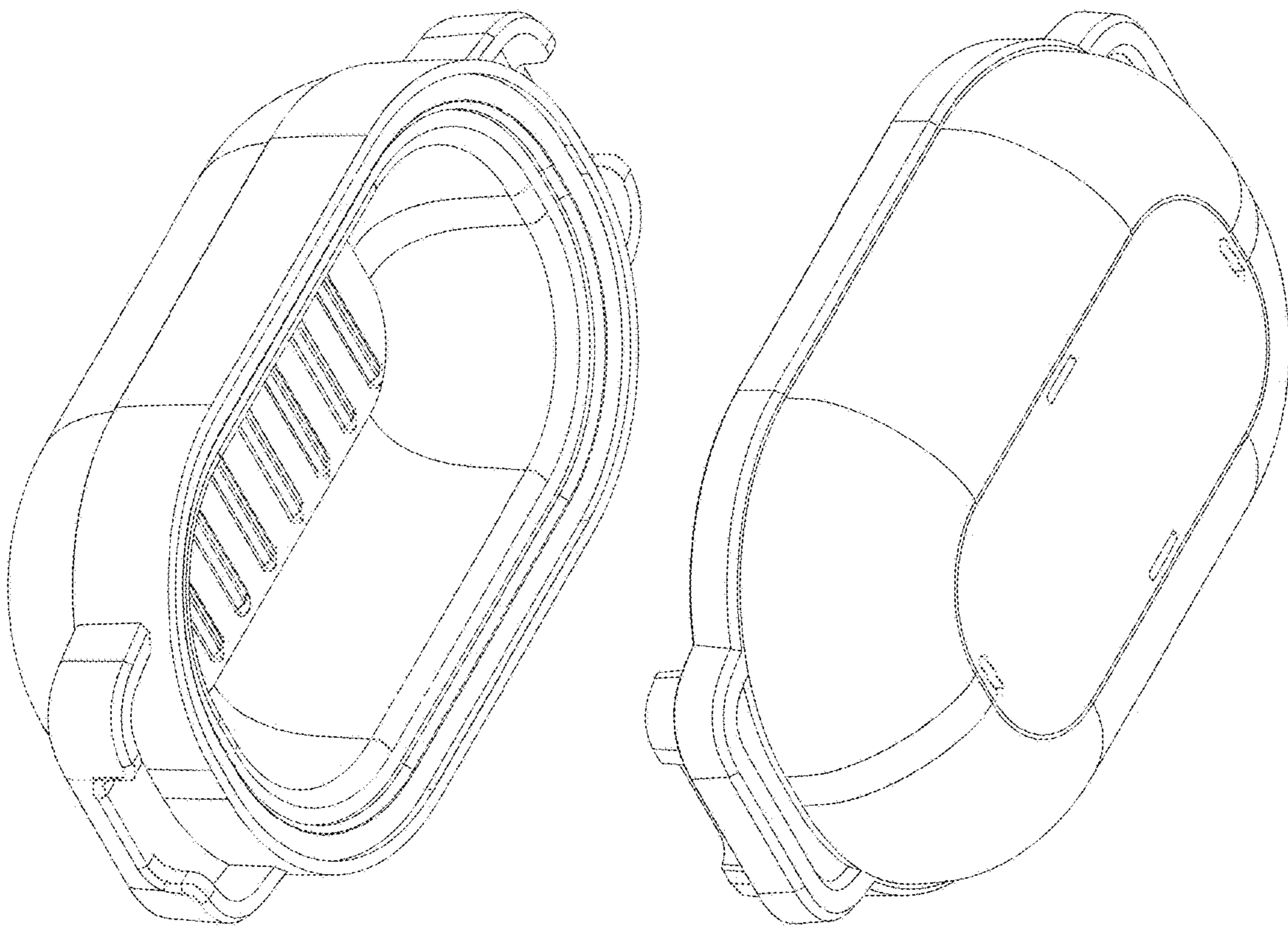


Figure 2.20

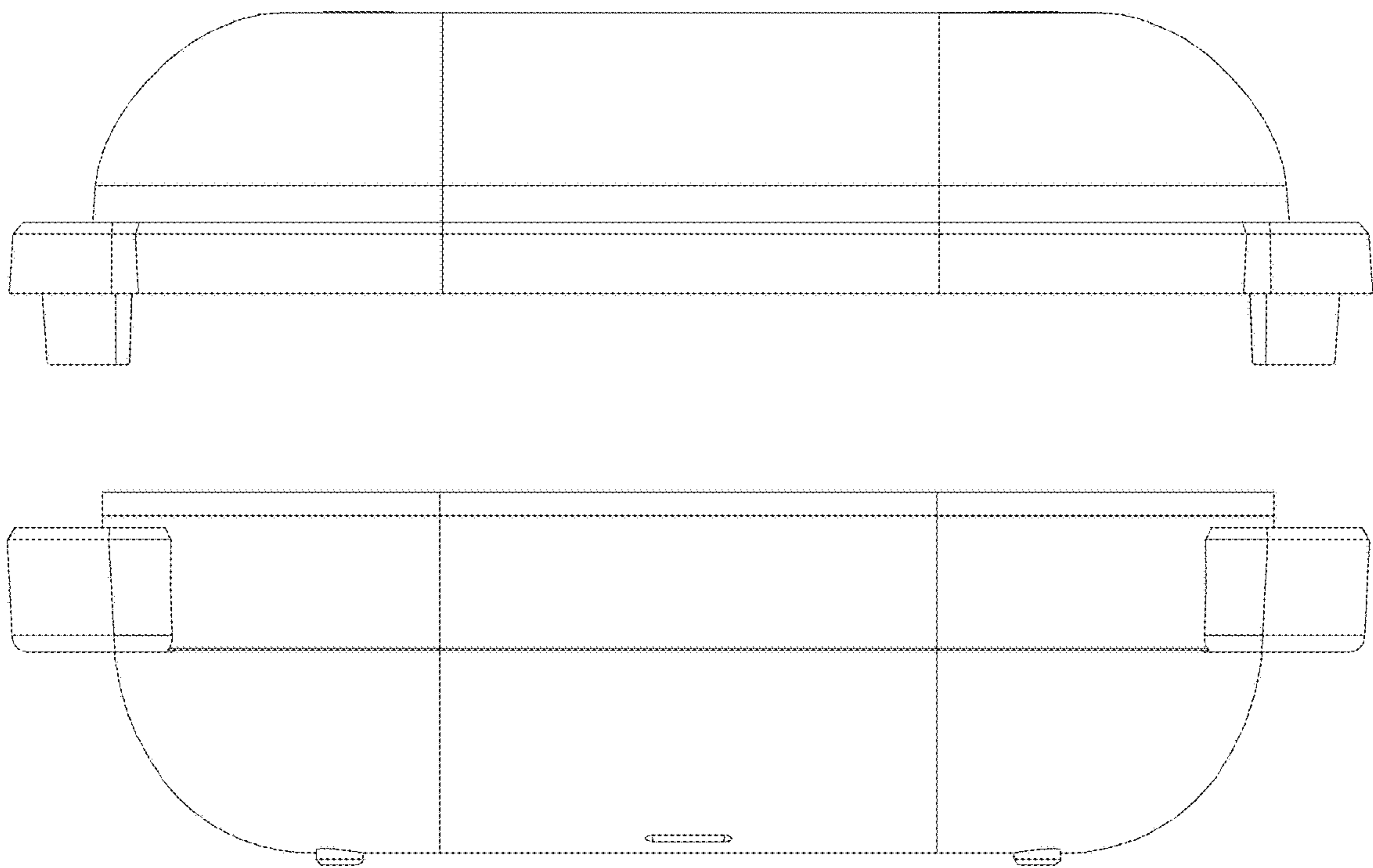


Figure 2.21

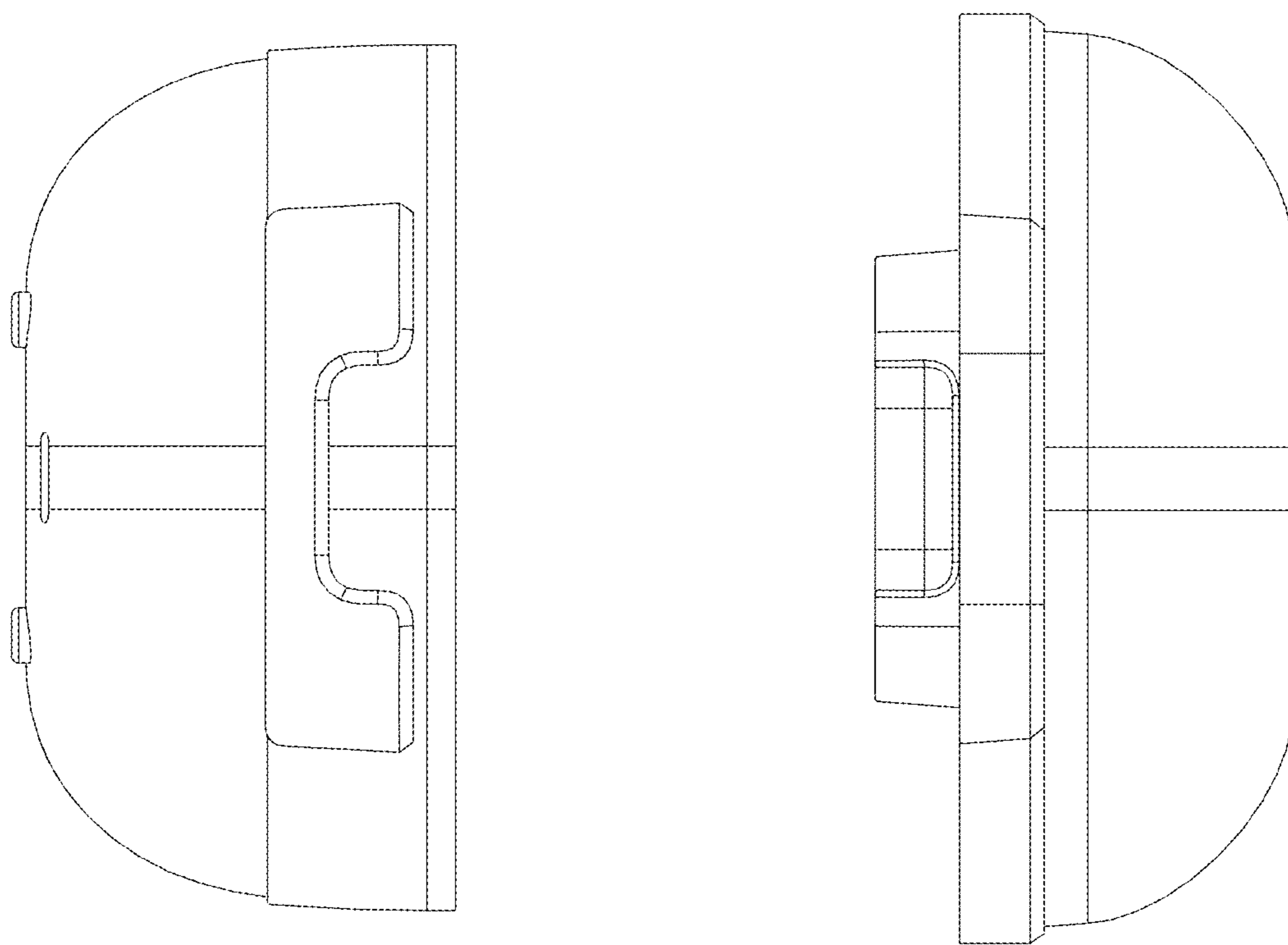


Figure 2.22



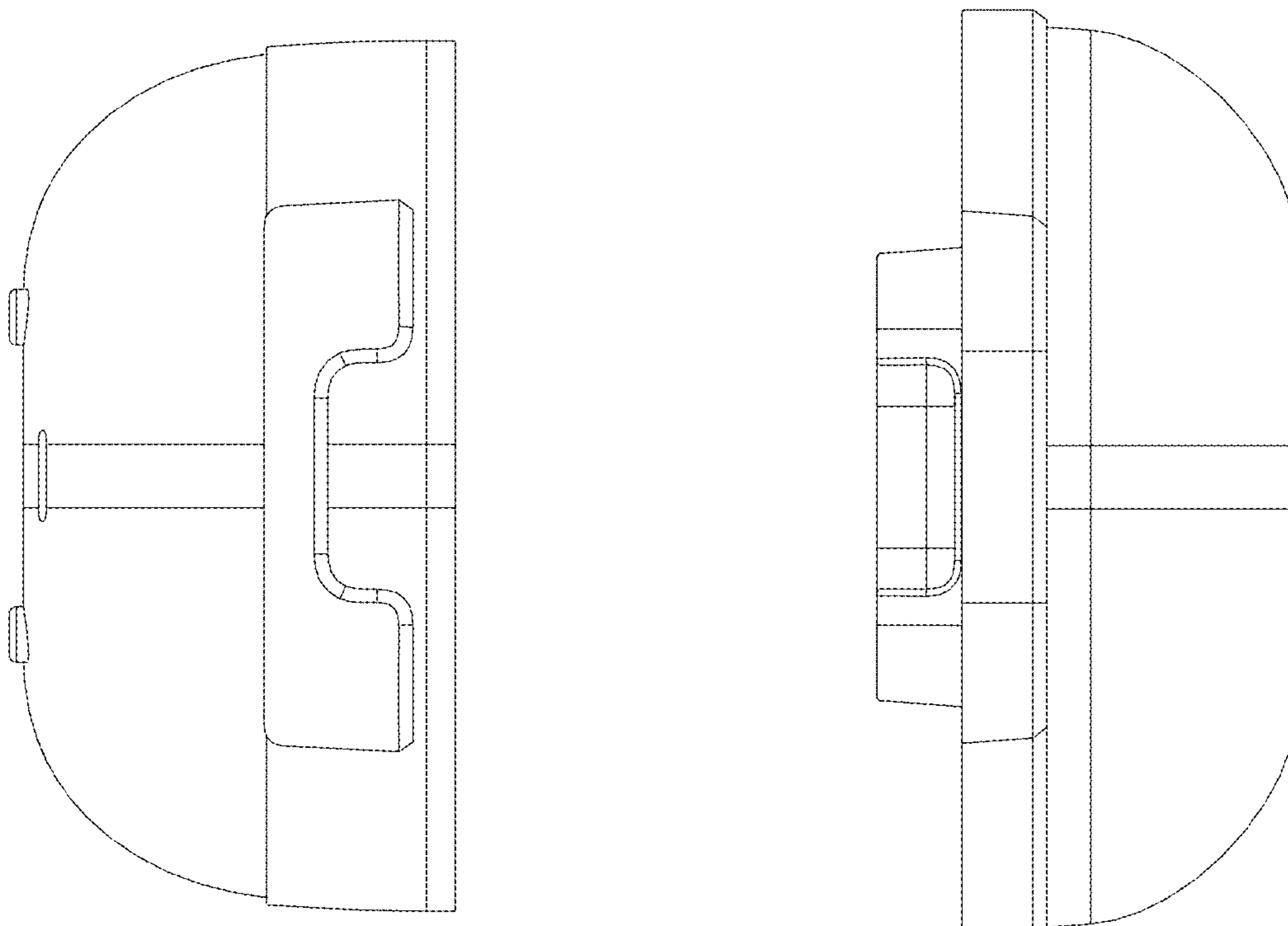


Figure 2.23

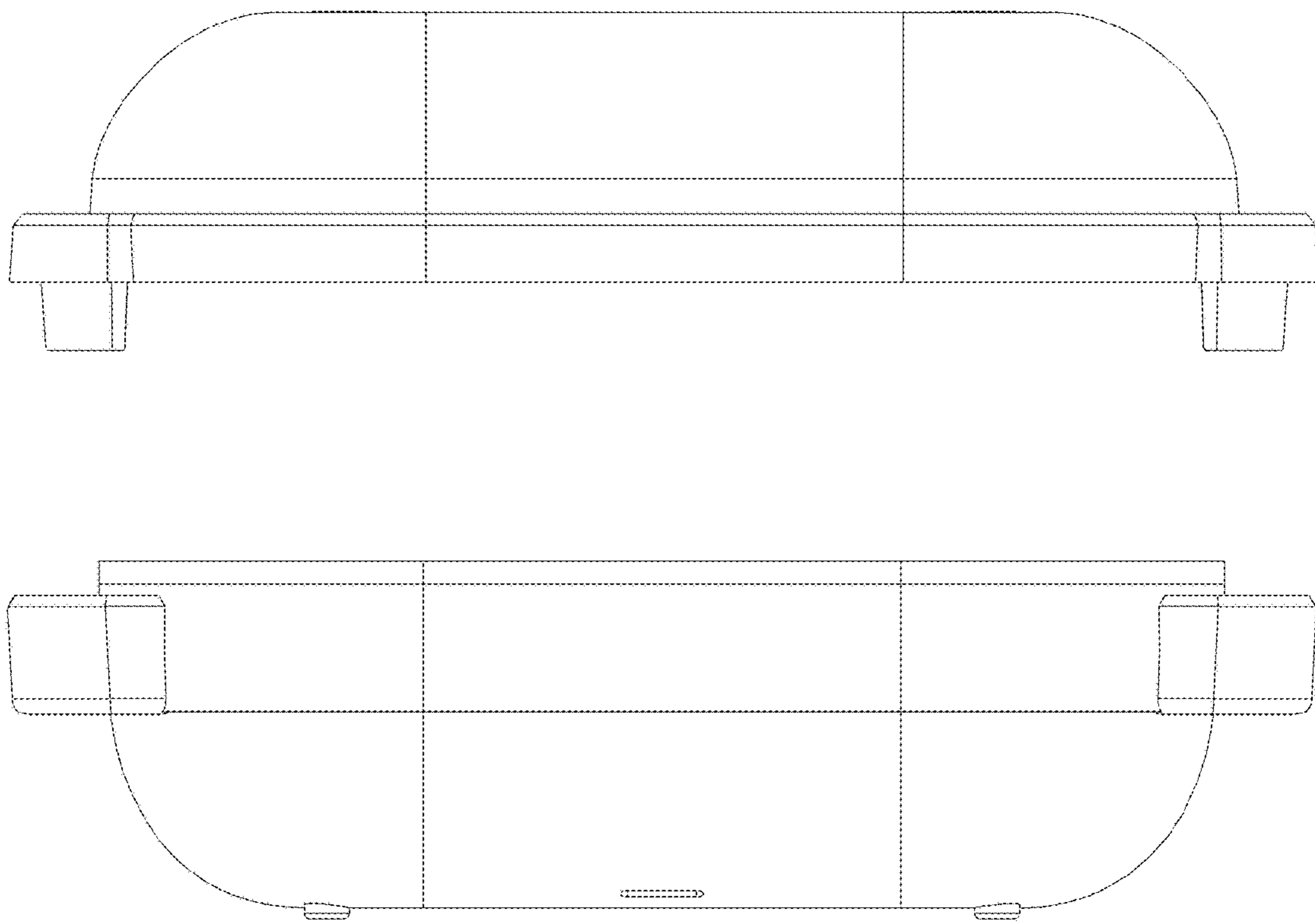


Figure 2.24

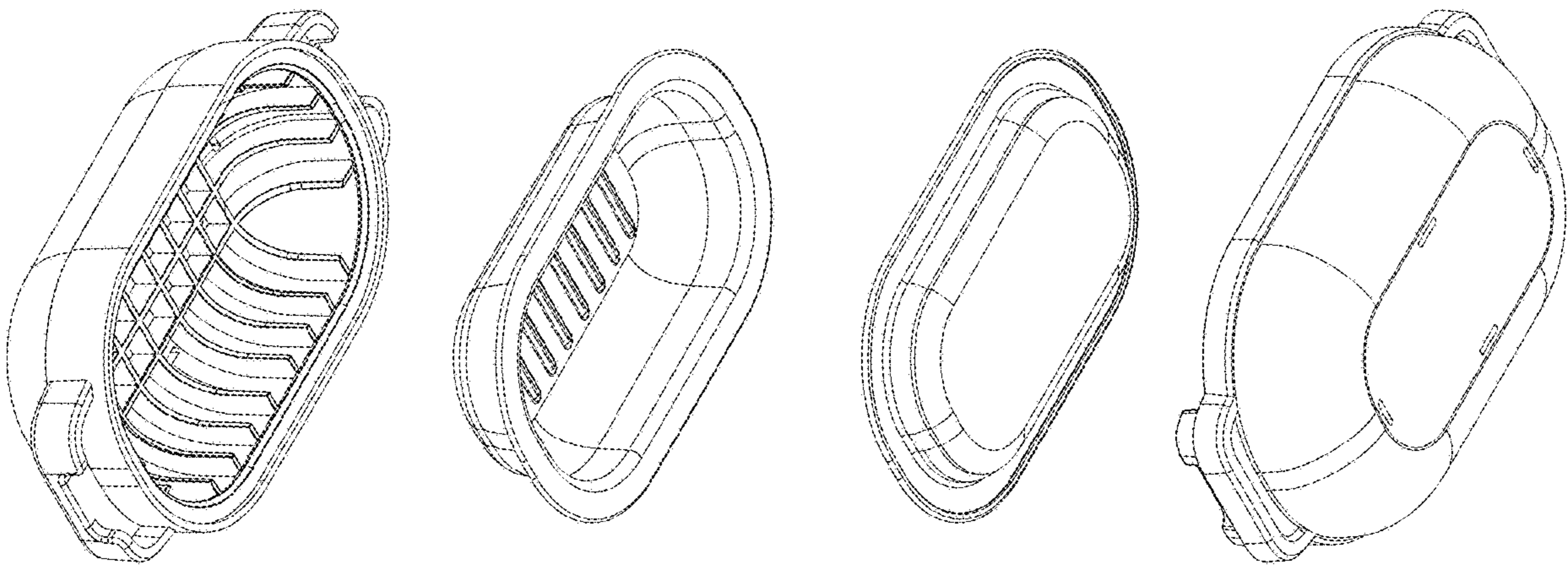


Figure 2.25

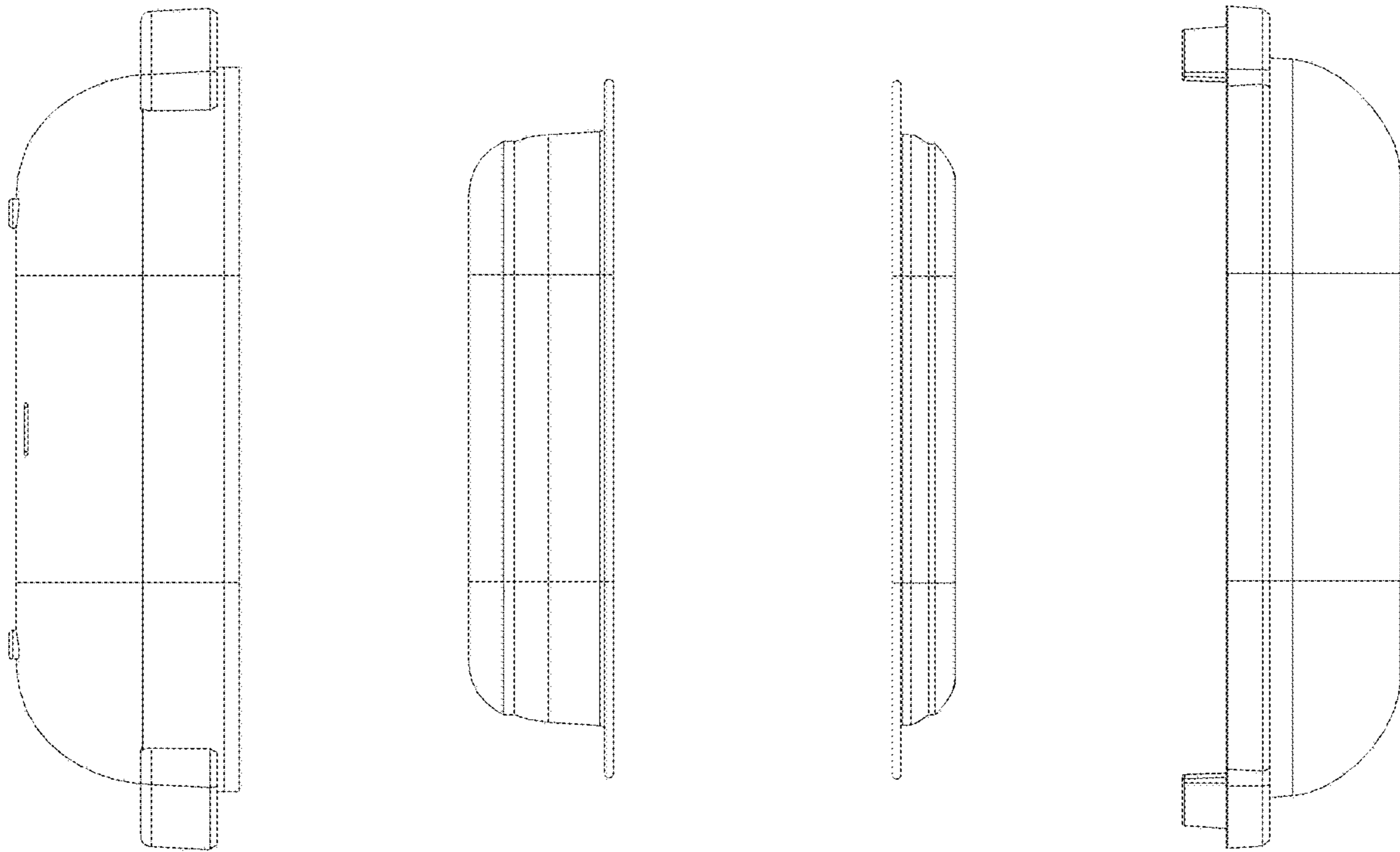


Figure 2.26

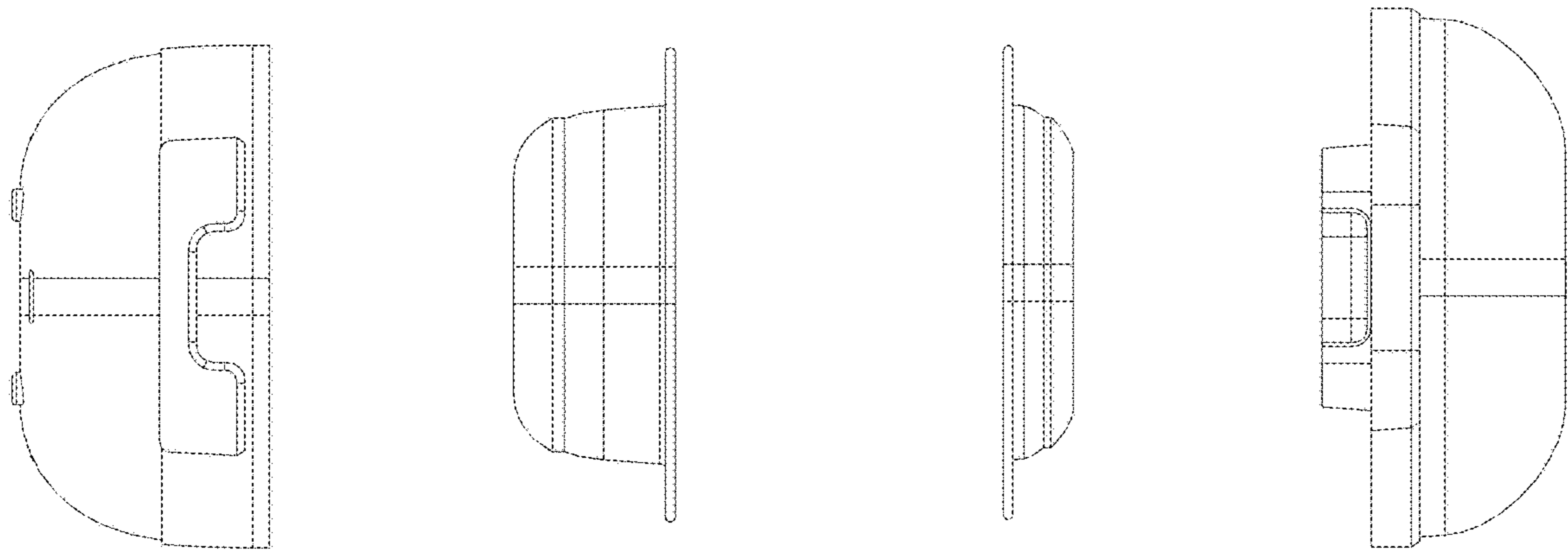


Figure 2.27

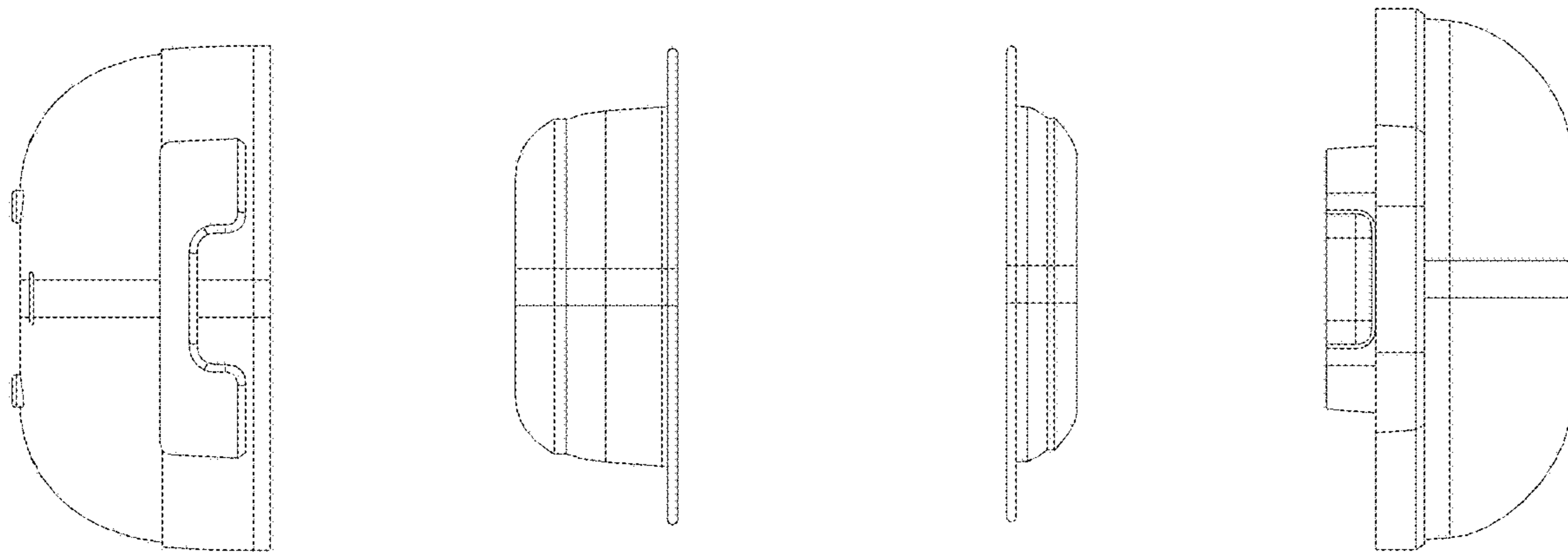


Figure 2.28

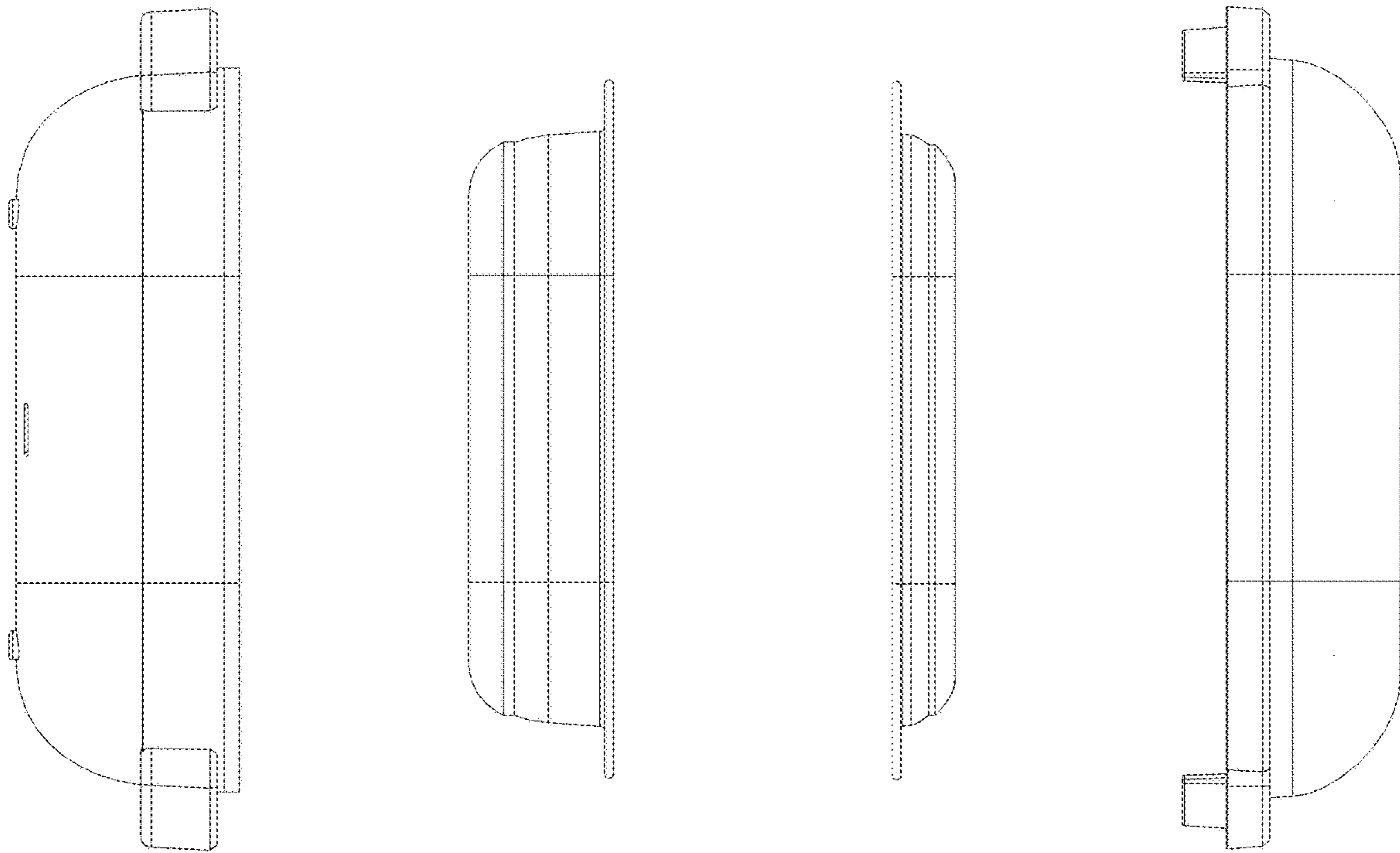


Figure 2.29