



US00D850223S

(12) **United States Design Patent**
Leibman

(10) **Patent No.:** **US D850,223 S**
(45) **Date of Patent:** **** Jun. 4, 2019**

- (54) **FUNNEL**
- (71) Applicant: **Faith H. Leibman**, Narberth, PA (US)
- (72) Inventor: **Faith H. Leibman**, Narberth, PA (US)
- (**) Term: **15 Years**
- (21) Appl. No.: **29/649,980**
- (22) Filed: **Jun. 4, 2018**

D589,764 S 4/2009 Randolph
 D600,498 S 9/2009 Ma
 D606,373 S 12/2009 McCaffery
 (Continued)

Primary Examiner — Karen S Acker
Assistant Examiner — Steven B Reinholdt, Jr.
 (74) *Attorney, Agent, or Firm* — Ballard Spahr LLP

(57) **CLAIM**

I claim the ornamental design for a funnel, as shown and described.

DESCRIPTION

FIG. 1 is an isometric view of first embodiment of a funnel according to my new design.
 FIG. 2 is a top view of the design for a funnel shown in FIG. 1;
 FIG. 3 is a bottom view of the design for a funnel shown in FIG. 1;
 FIG. 4 is a rear view of the design for a funnel shown in FIG. 1;
 FIG. 5 is a front view of the design for a funnel shown in FIG. 1;
 FIG. 6 is a right side view of the design for a funnel shown in FIG. 1, the left side view being a mirror image thereof;
 FIG. 7 is an isometric view of a second embodiment of a funnel according to my new design.
 FIG. 8 is a top view of the design for a funnel shown in FIG. 7;
 FIG. 9 is a bottom view of the design for a funnel shown in FIG. 7;
 FIG. 10 is a rear view of the design for a funnel shown in FIG. 7;
 FIG. 11 is a front view of the design for a funnel shown in FIG. 7; and,
 FIG. 12 is a right side view of the design for a funnel shown in FIG. 7, the left side view being a mirror image thereof.
 The broken lines depict portions of the funnel that form no part of the claimed design.

Related U.S. Application Data

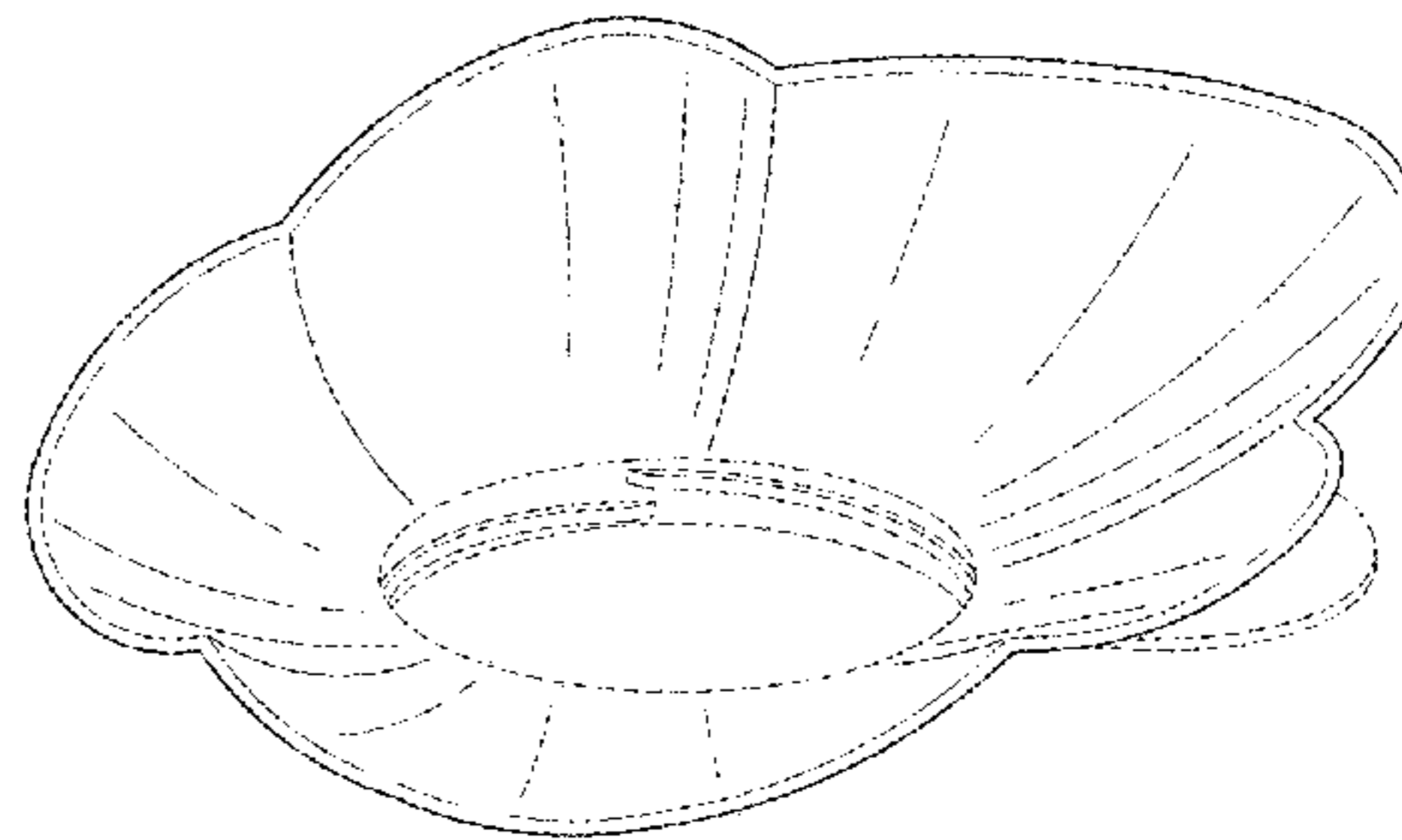
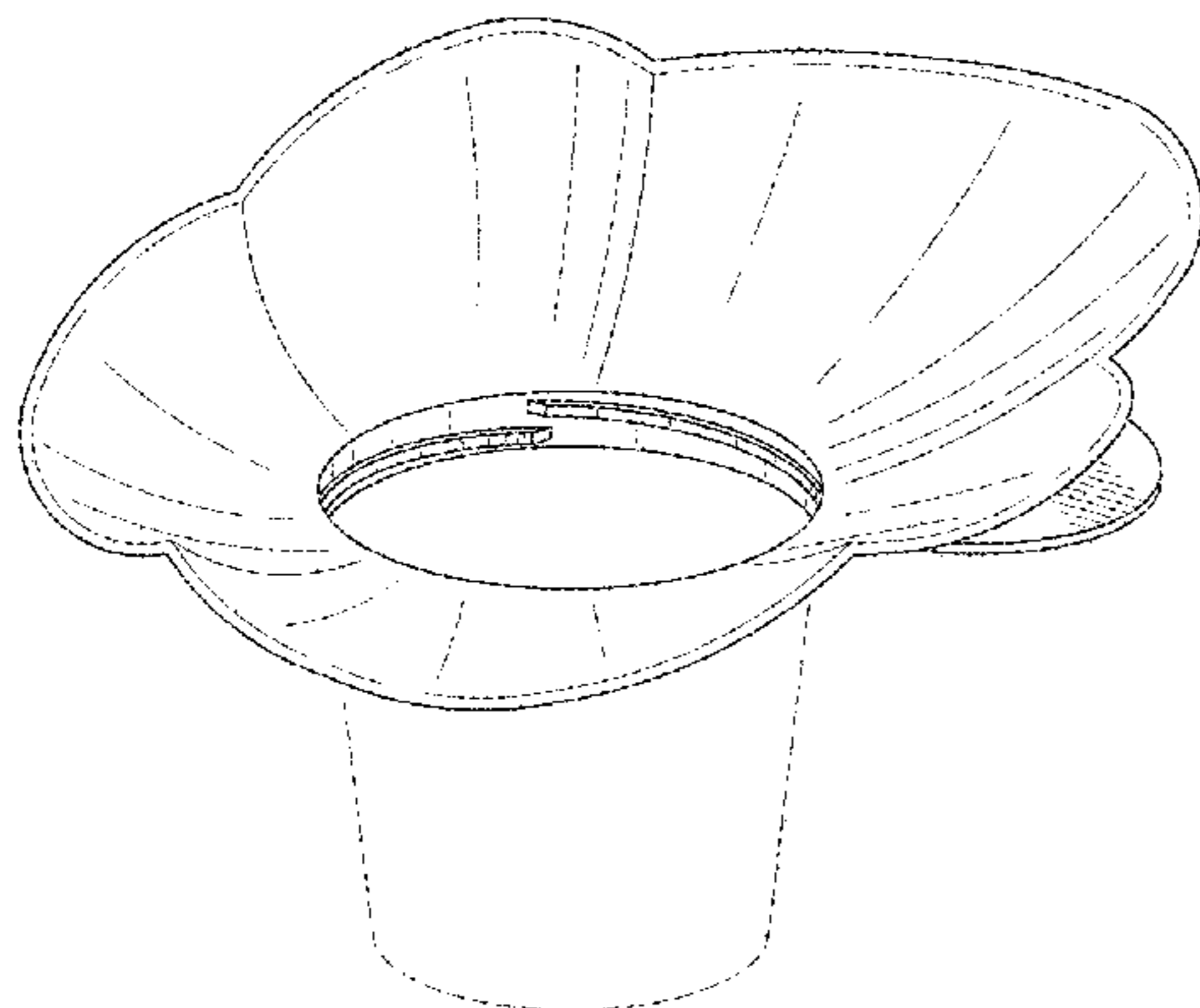
- (62) Division of application No. 29/607,401, filed on Jun. 13, 2017, now Pat. No. Des. 821,830.
- (51) **LOC (11) Cl.** **07-99**
- (52) **U.S. Cl.**
USPC **D7/700**
- (58) **Field of Classification Search**
USPC D7/400, 667, 398; D9/440, 436, 524,
D9/712; D23/209, 302; D10/46.2;
D1/105, 116; D24/122
CPC A61J 11/04; A61J 9/00; B01F 15/00915;
B65B 39/00; B65B 39/04; B65D 35/38;
B65D 47/06; B67C 11/02; A47J 31/06;
C02F 1/003
See application file for complete search history.

(56) **References Cited**

U.S. PATENT DOCUMENTS

D227,413 S *	6/1973	Sherin	D24/122
D265,586 S	7/1982	Sloan		
D269,378 S *	6/1983	Work	D24/122
D290,880 S	7/1987	Blanton		
D296,496 S	7/1988	Kang		
D326,519 S *	5/1992	Drysdale	D24/121
D358,917 S *	5/1995	Keys	D30/129
5,762,120 A	6/1998	Smith		
D402,169 S *	12/1998	Hestehave	D7/700

1 Claim, 6 Drawing Sheets



(56)

References Cited

U.S. PATENT DOCUMENTS

D629,269 S	12/2010	Okamoto	
D640,904 S	7/2011	Wax	
D721,579 S	1/2015	Ott	
D733,199 S	6/2015	Kimmel	
D744,641 S	12/2015	Aiken	
D776,807 S	1/2017	Chacchia	
D821,830 S *	7/2018	Leibman	D7/700

* cited by examiner

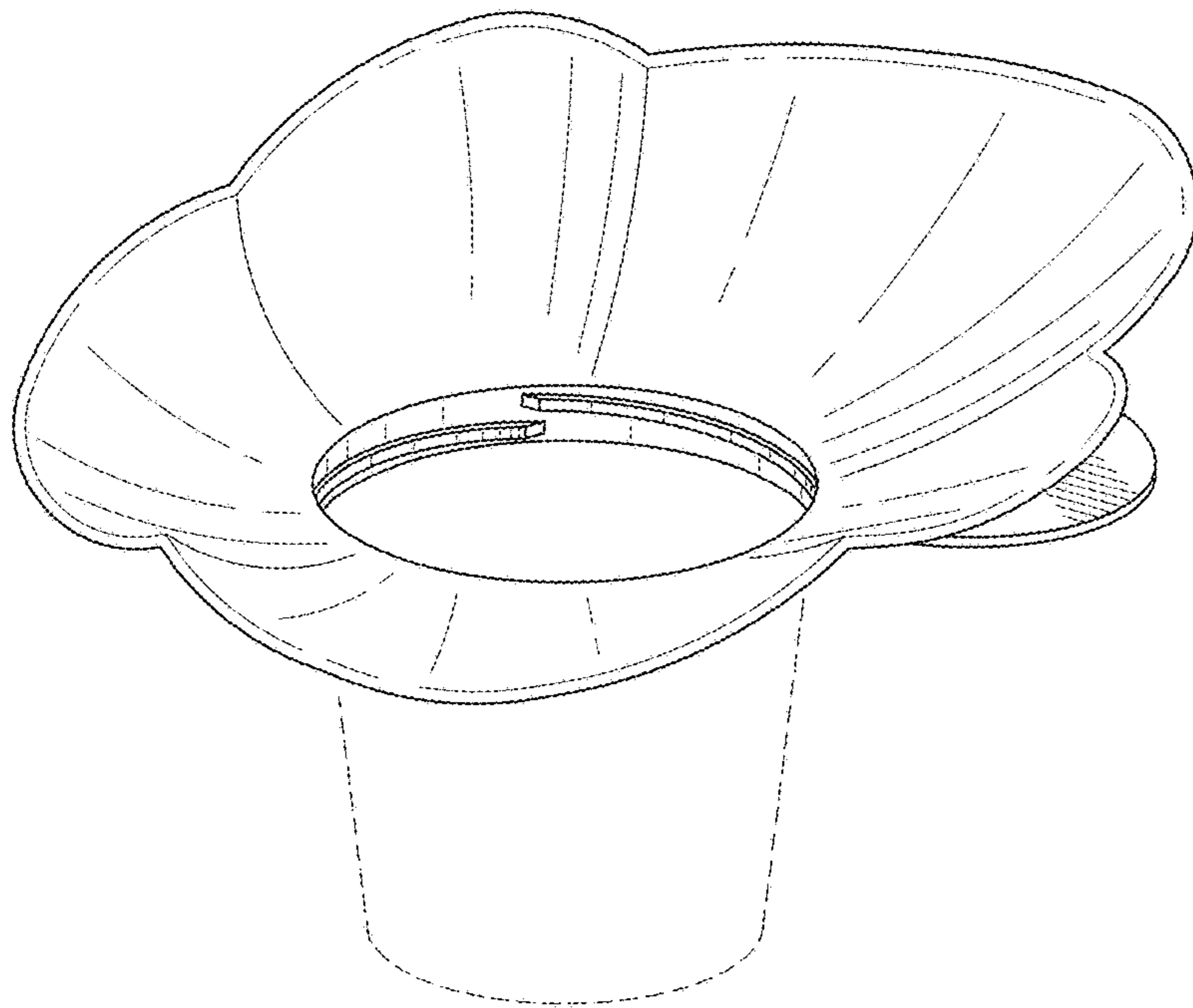


FIG. 1

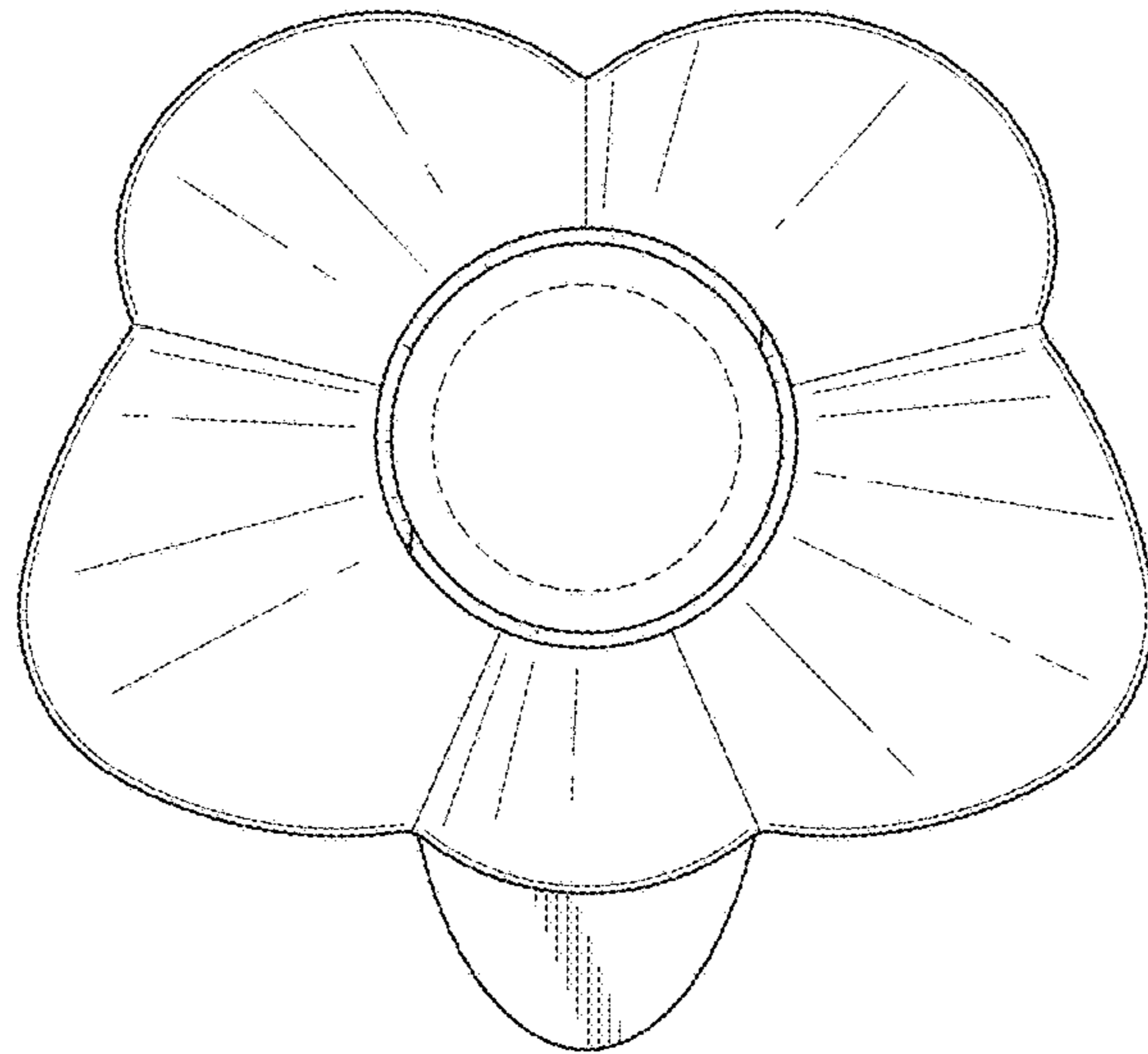


FIG. 2

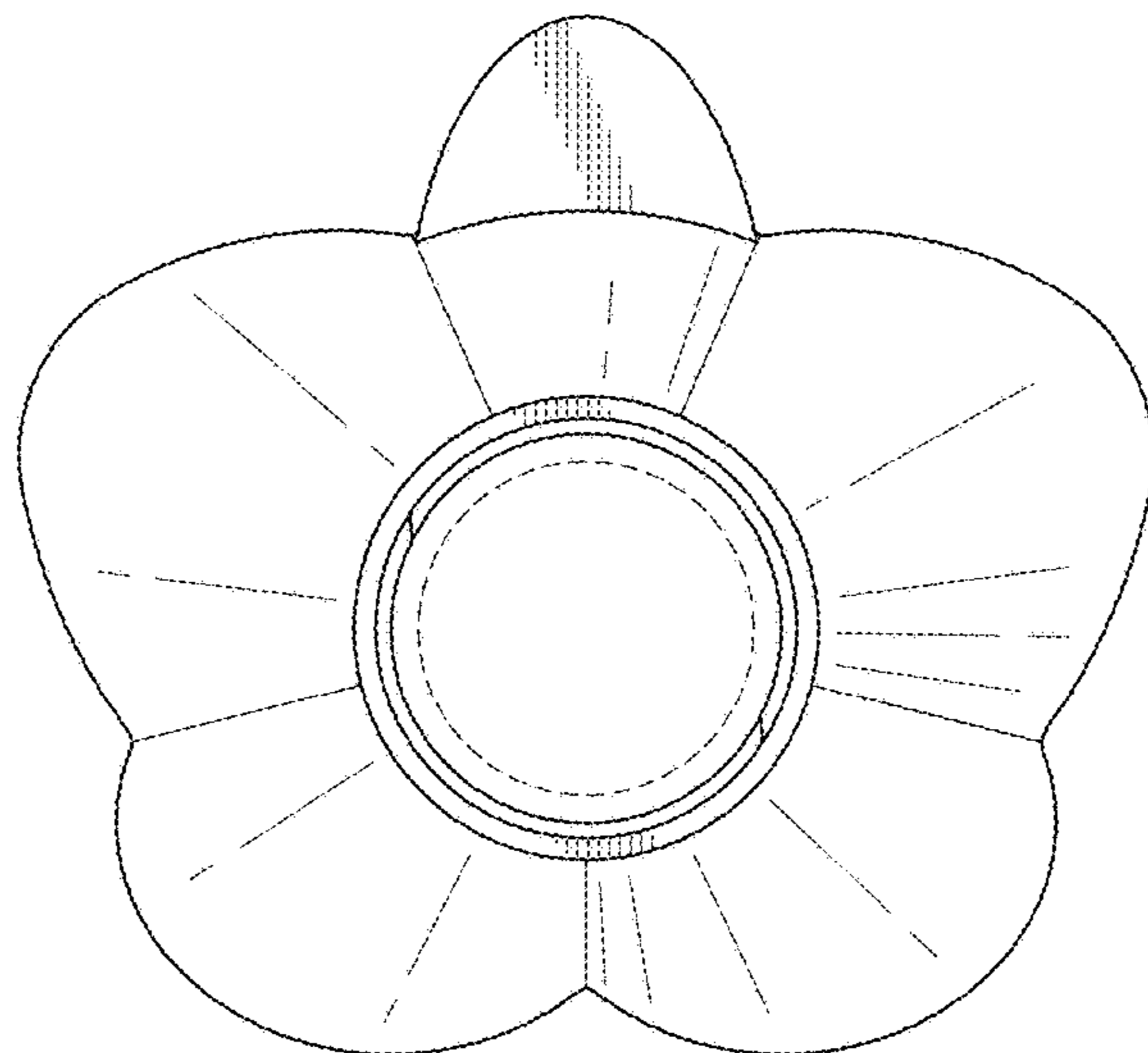


FIG. 3

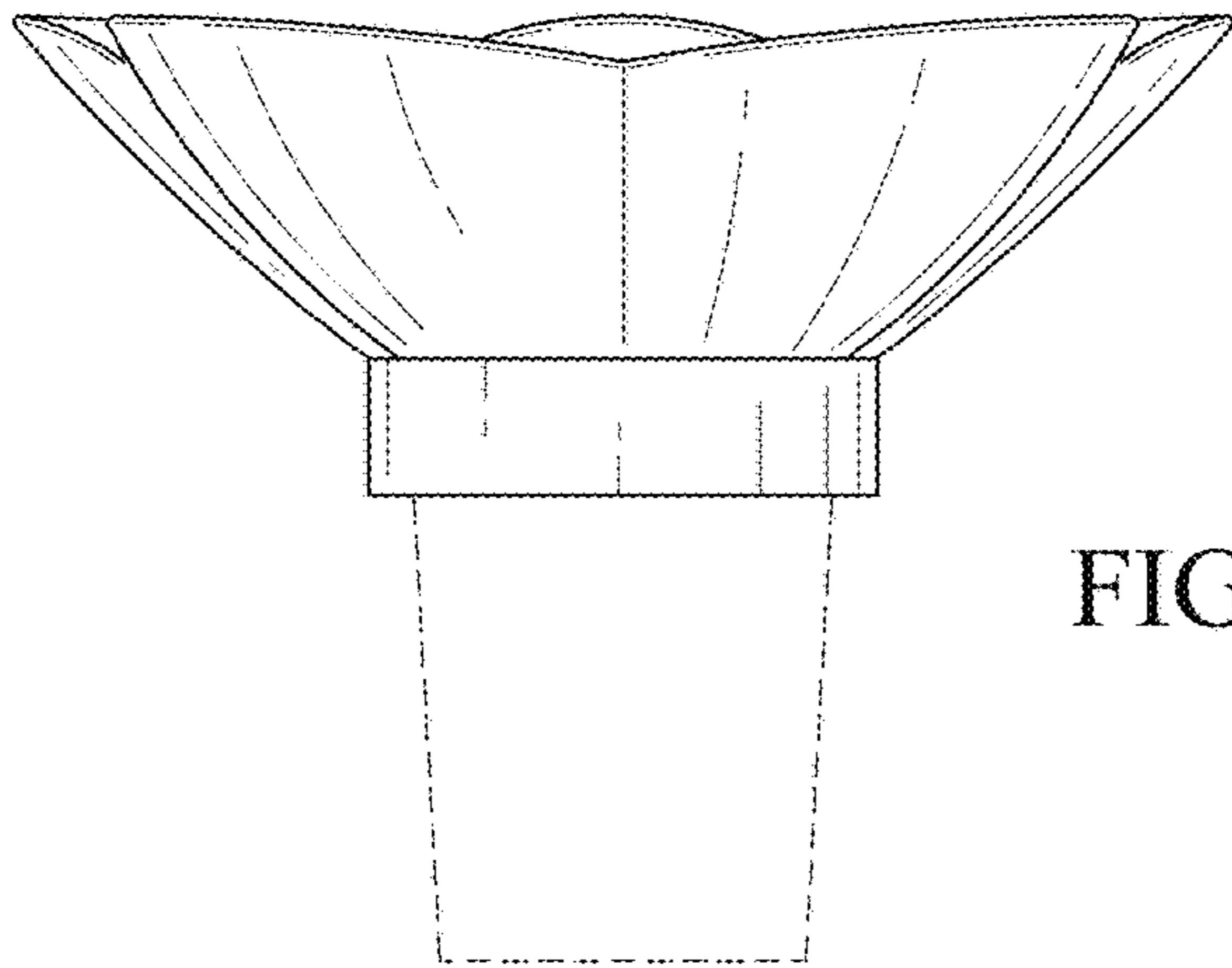


FIG. 4

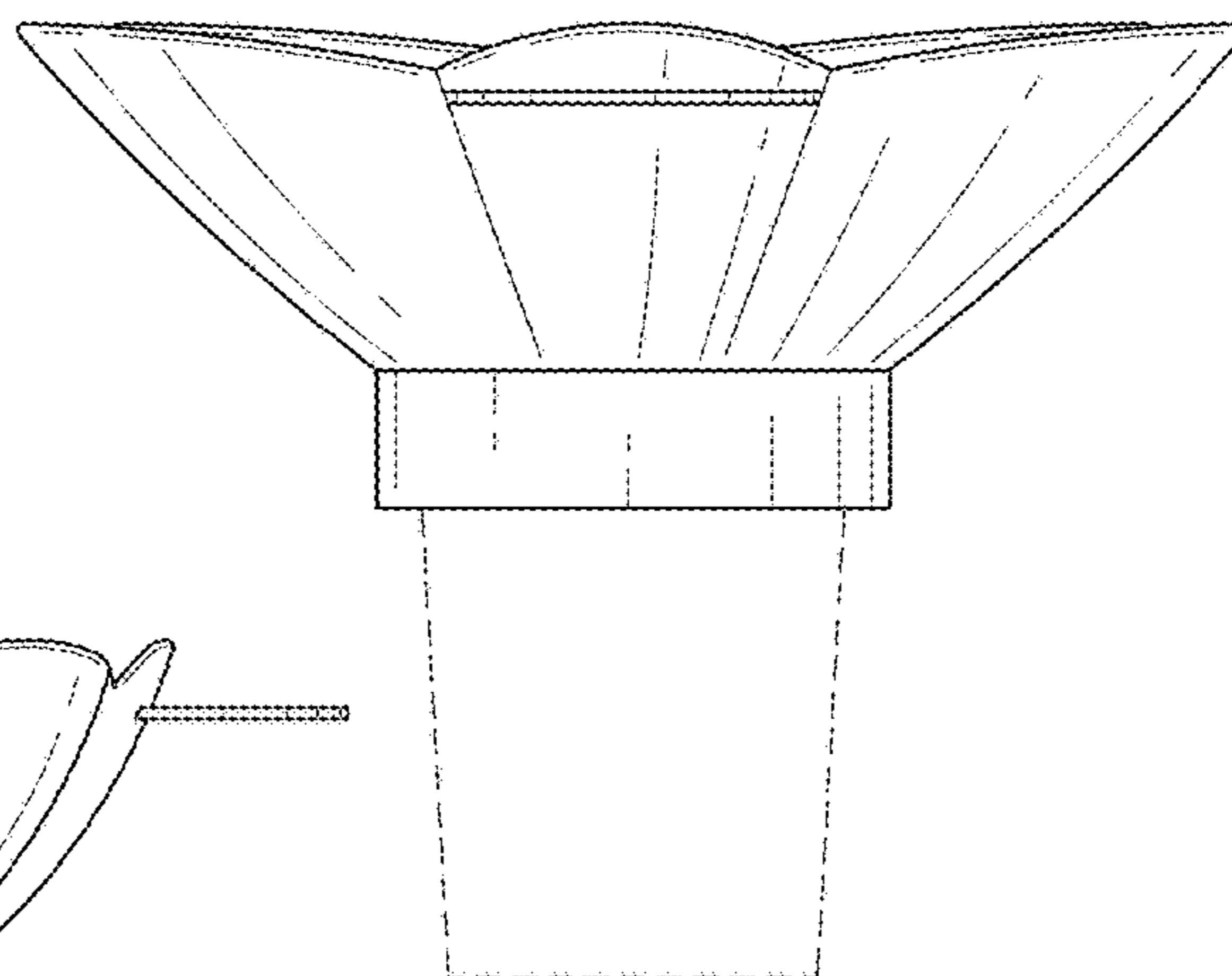


FIG. 5

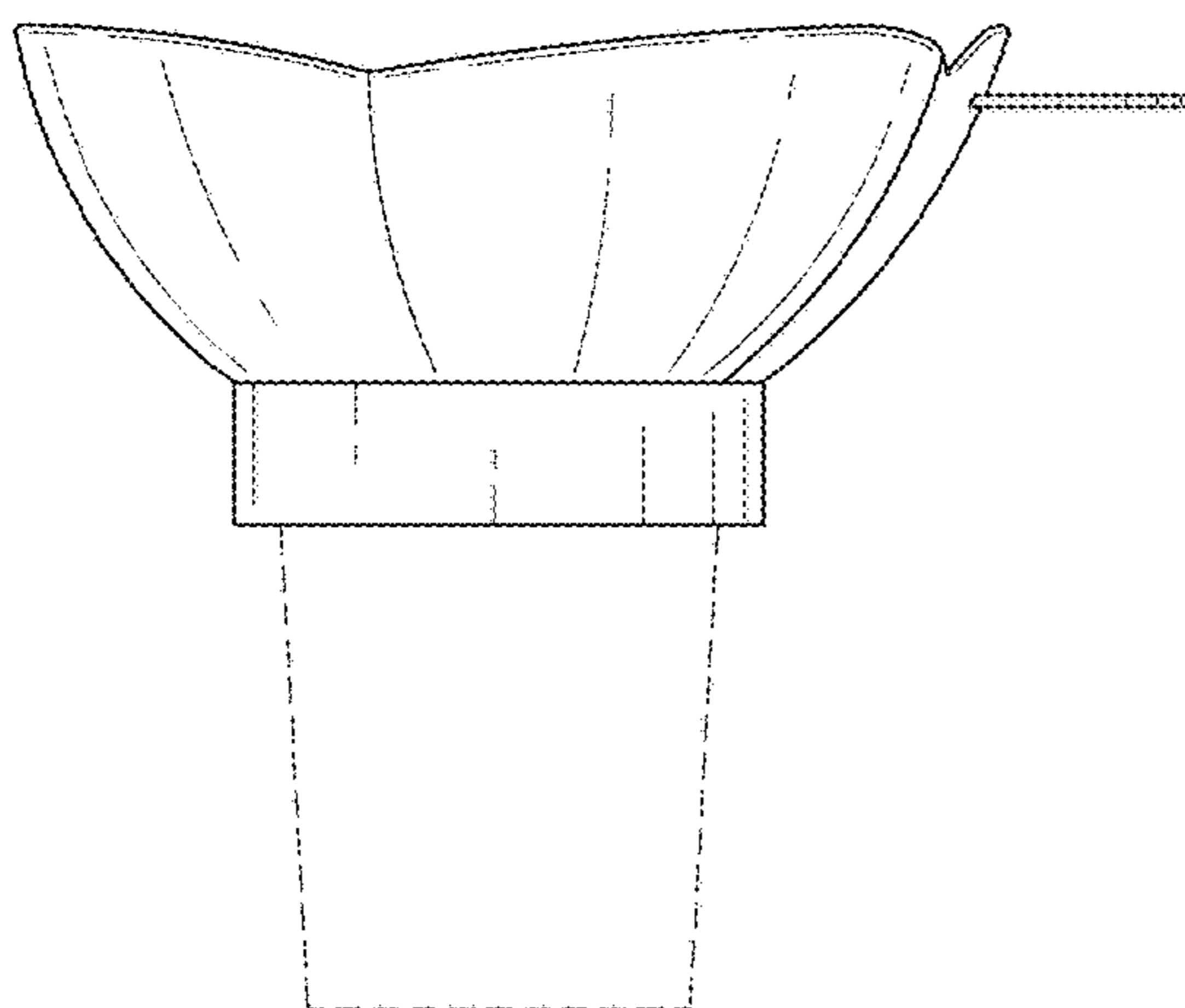


FIG. 6

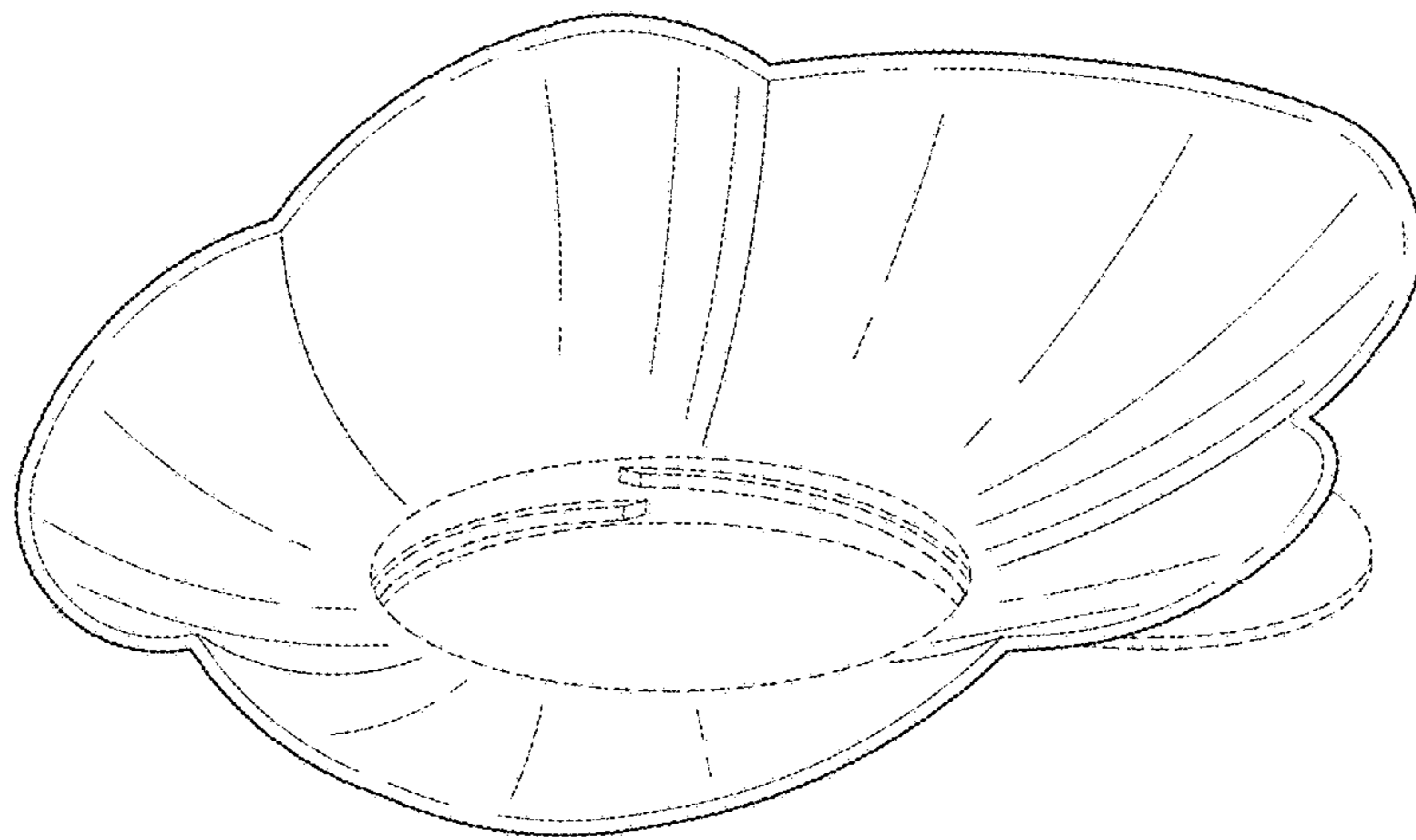


FIG. 7

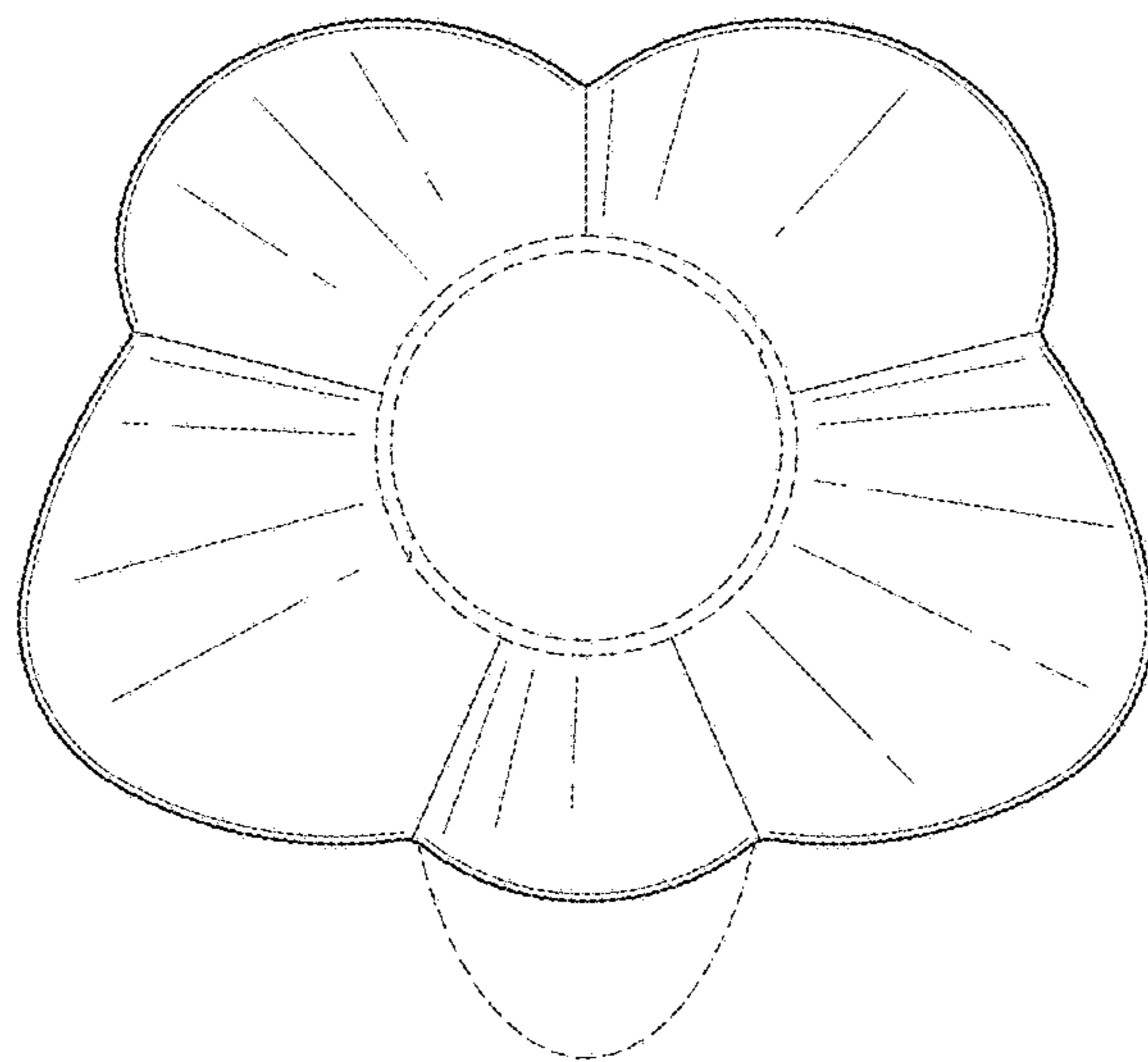


FIG. 8

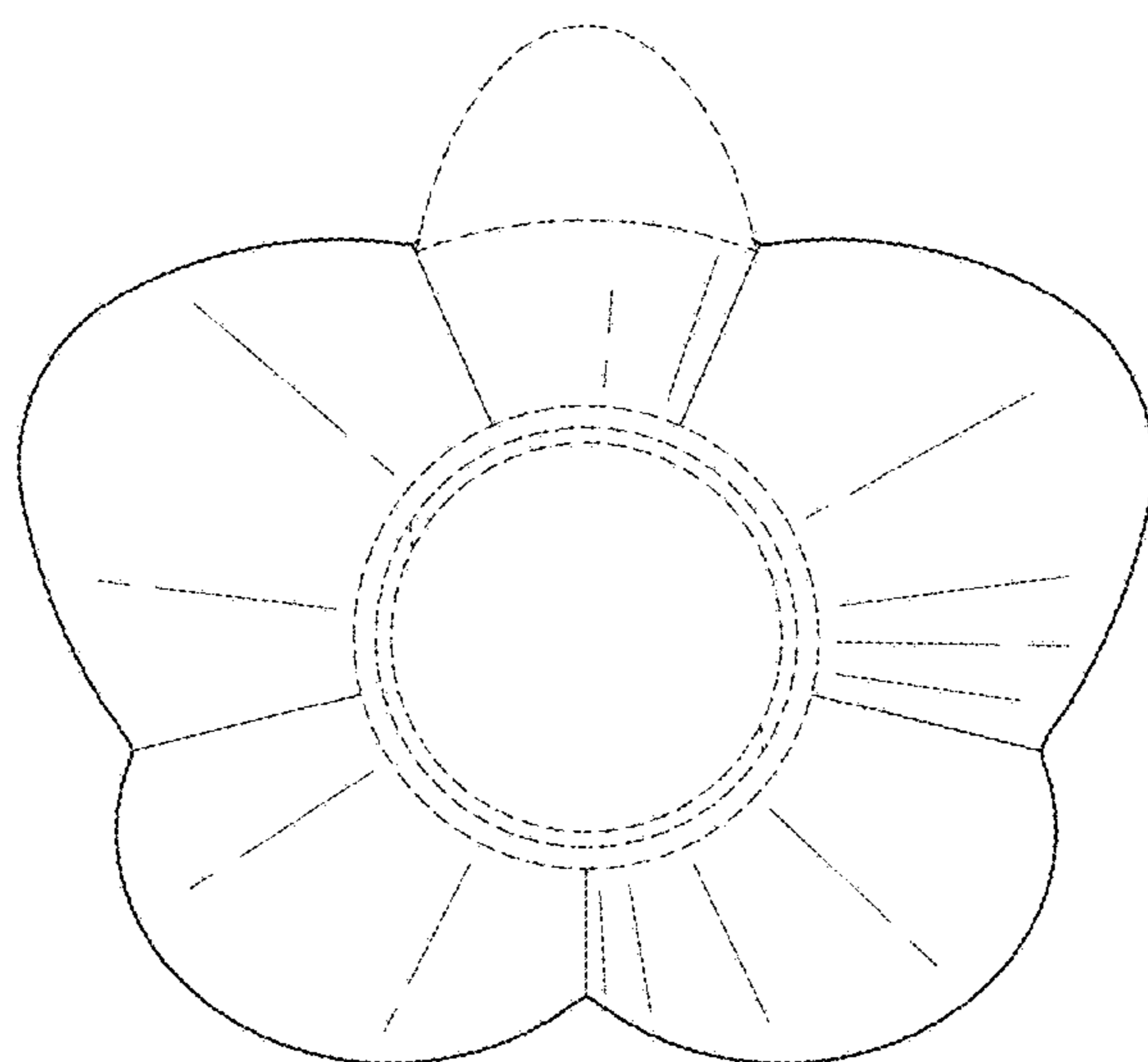


FIG. 9

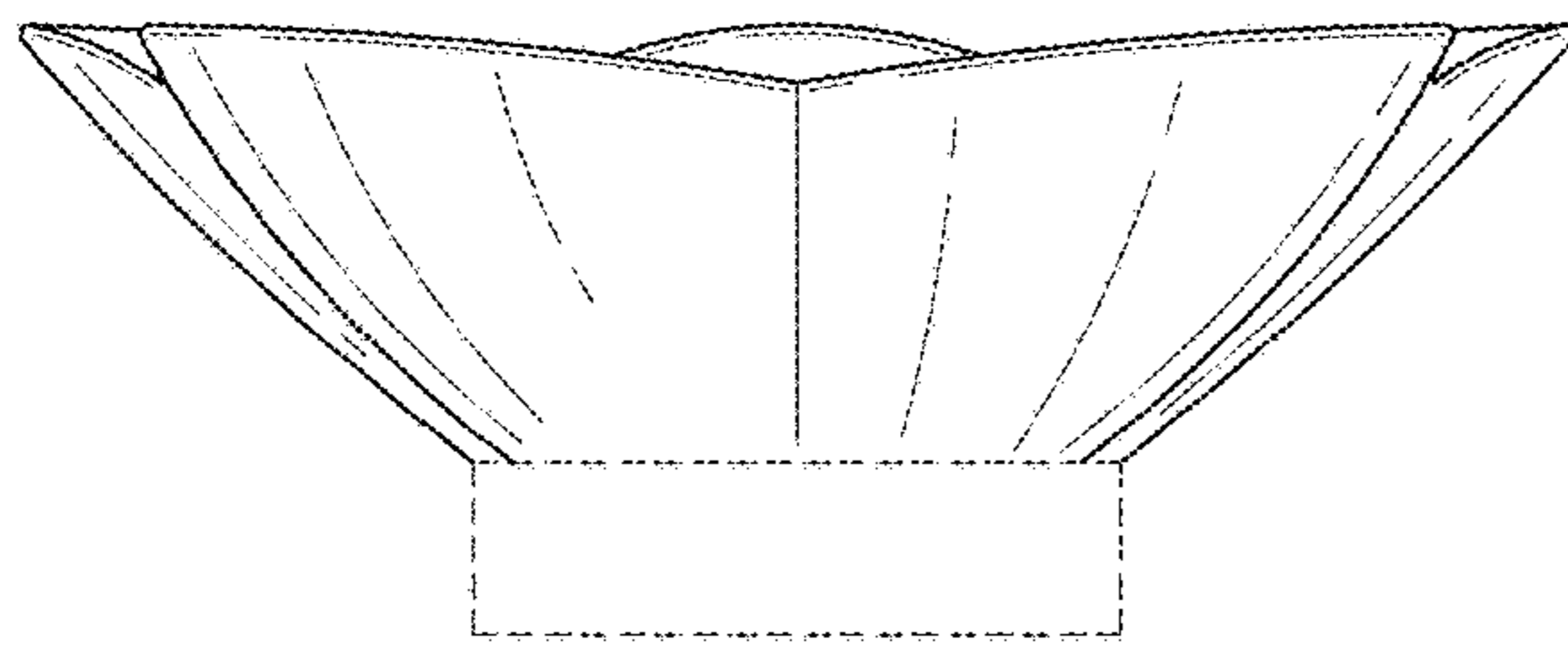


FIG. 10

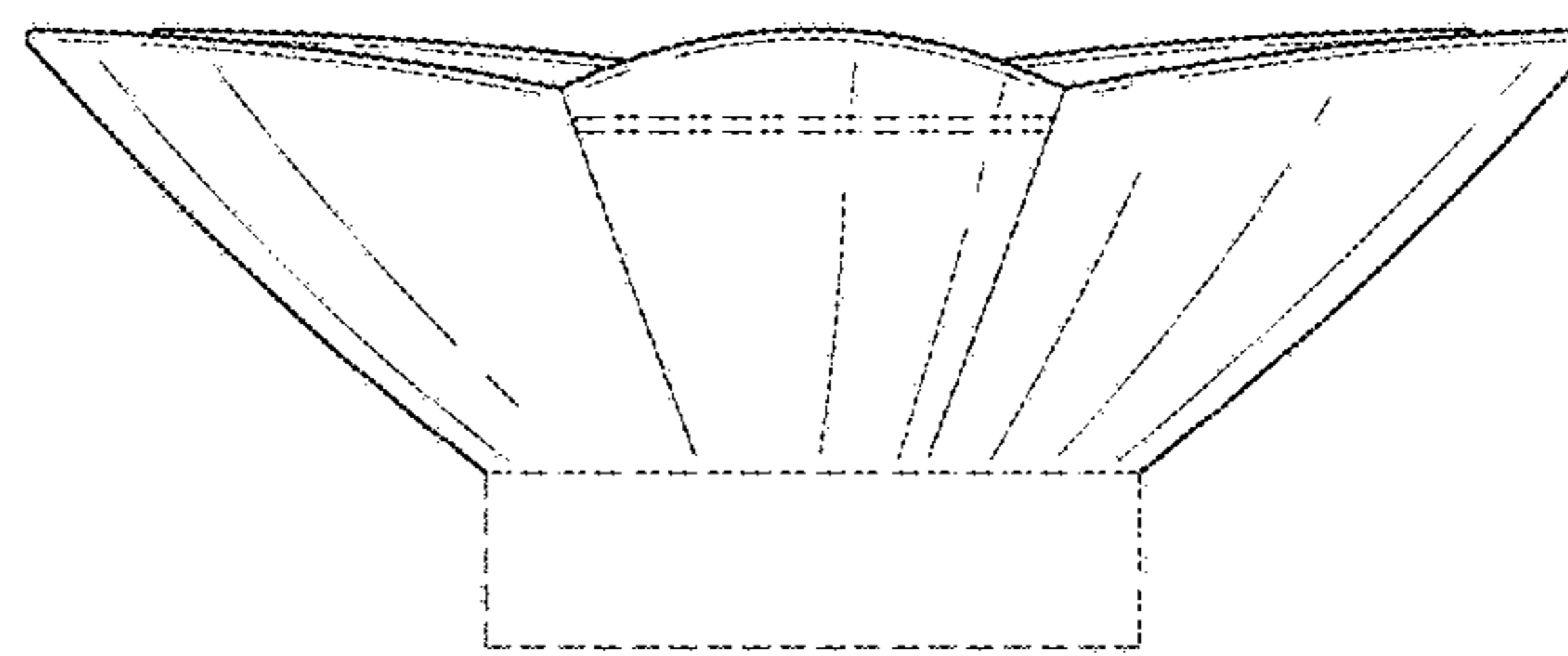


FIG. 11

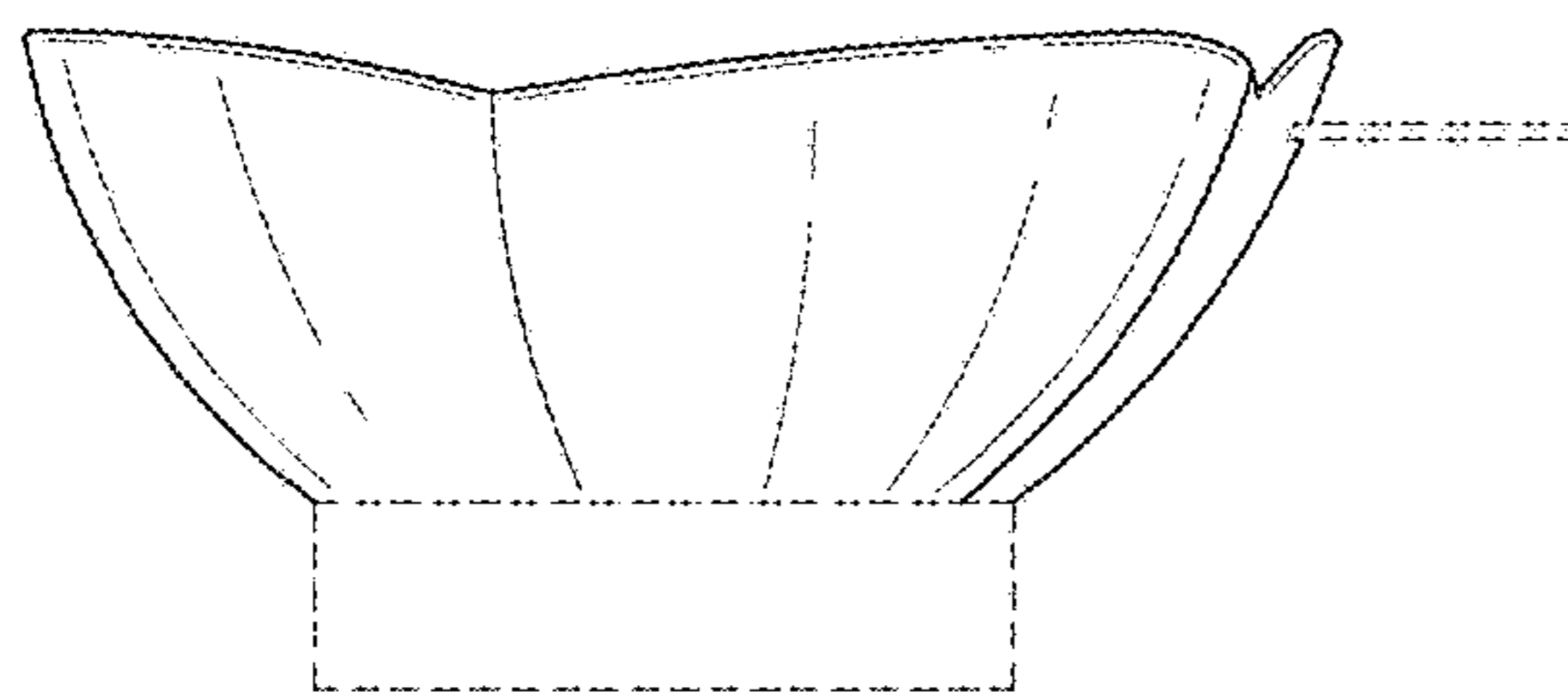


FIG. 12