



US00D850222S

(12) **United States Design Patent**
Han

(10) **Patent No.:** **US D850,222 S**

(45) **Date of Patent:** **** Jun. 4, 2019**

(54) **SCOOP**

(71) Applicant: **Dong Han**, Shenzhen (CN)

(72) Inventor: **Dong Han**, Shenzhen (CN)

(**) Term: **15 Years**

(21) Appl. No.: **29/630,719**

(22) Filed: **Dec. 22, 2017**

(51) **LOC (11) Cl.** **07-04**

(52) **U.S. Cl.**
USPC **D7/691**

(58) **Field of Classification Search**
USPC D7/669, 368, 691, 682, 692, 401.2, 700;
D9/702, 711, 712, 715
CPC B65D 1/26; B65D 5/18; B65D 3/06; A47F
13/08; A47J 43/28; A01B 1/02
See application file for complete search history.

(56) **References Cited**

U.S. PATENT DOCUMENTS

2,002,215 A * 5/1935 Blitz B65D 3/06
229/117.12
D239,723 S * 4/1976 Martin D27/102

D257,526 S * 11/1980 Herbst D7/509
D328,809 S * 8/1992 Shooter 294/1.3
2003/0150627 A1* 8/2003 Timmons A01B 1/02
172/377
2006/0266816 A1* 11/2006 Voigt B65D 1/26
229/400

* cited by examiner

Primary Examiner — Terry A Wallace

(74) *Attorney, Agent, or Firm* — Law Offices of Steven W. Weinrieb

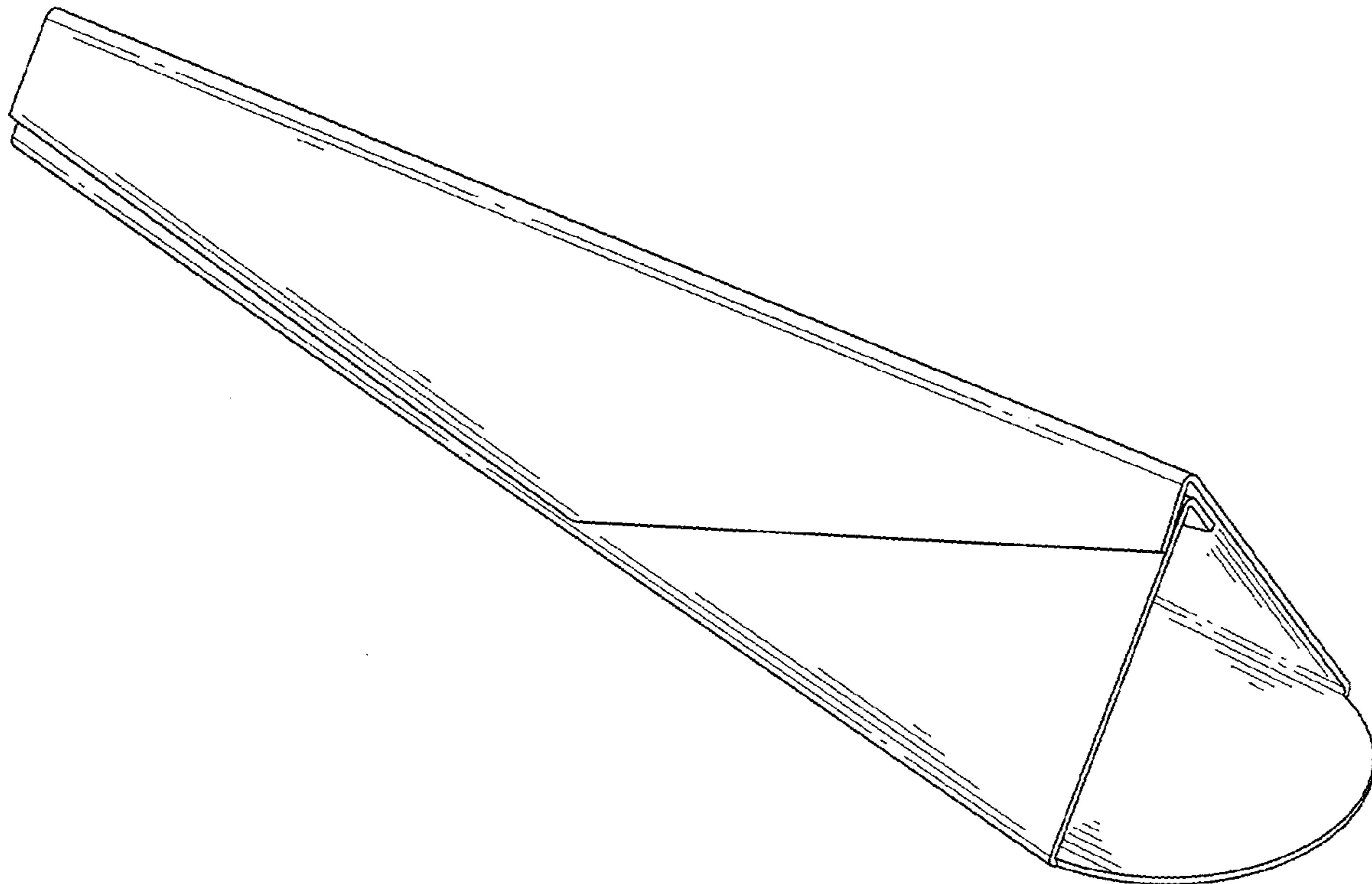
(57) **CLAIM**

The ornamental design for a scoop, as shown and described.

DESCRIPTION

FIG. 1 is a right side top perspective view of the scoop showing my new design;
FIG. 2 is a left side bottom perspective view thereof;
FIG. 3 is a front elevational view thereof;
FIG. 4 is a rear elevational view thereof;
FIG. 5 is a right side elevational view thereof;
FIG. 6 is a left side elevational view thereof;
FIG. 7 is a top plan view thereof;
FIG. 8 is a bottom plan view thereof; and,
FIG. 9 is an unfurled right side perspective view thereof.

1 Claim, 9 Drawing Sheets



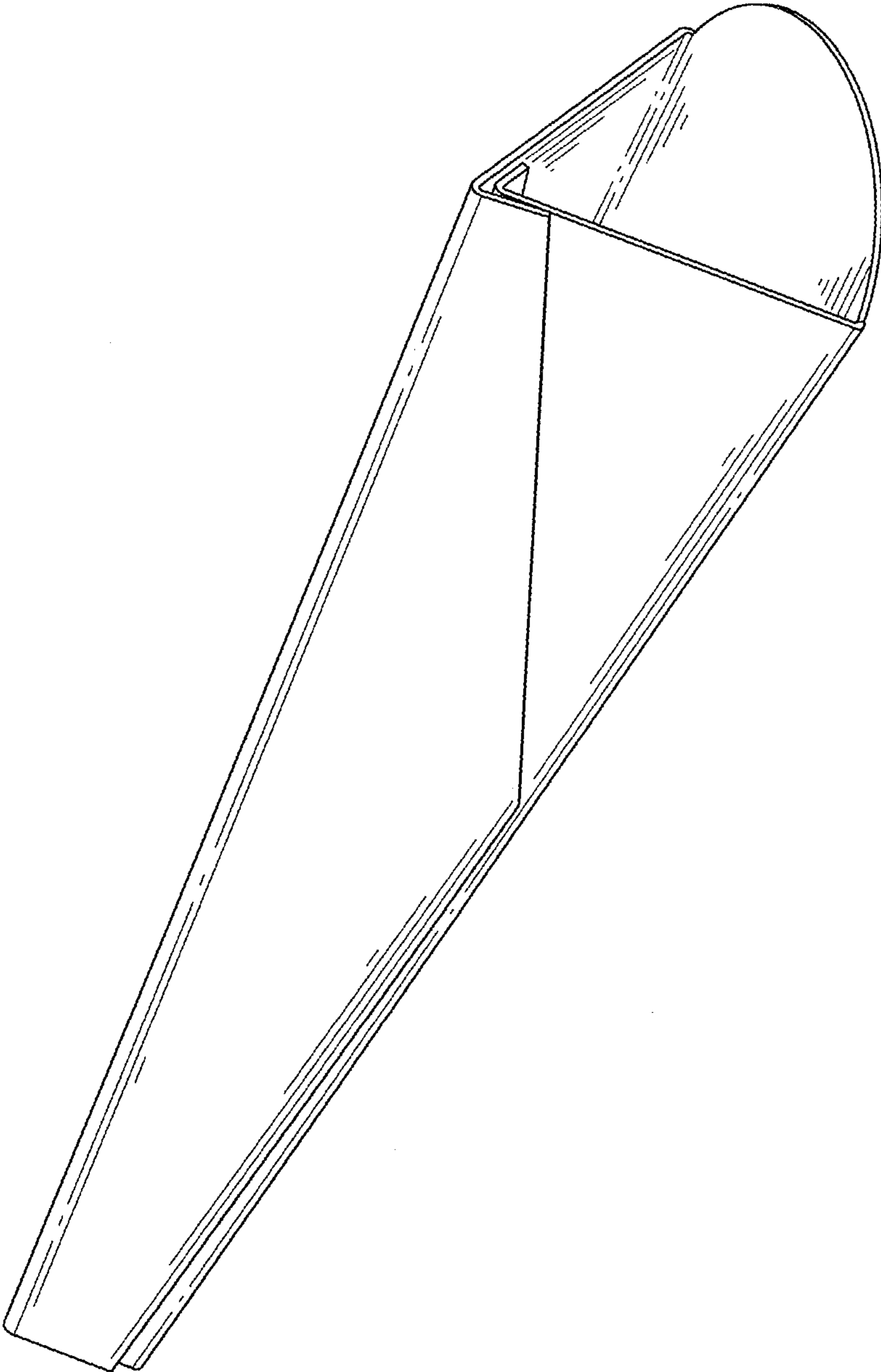


FIG. 1

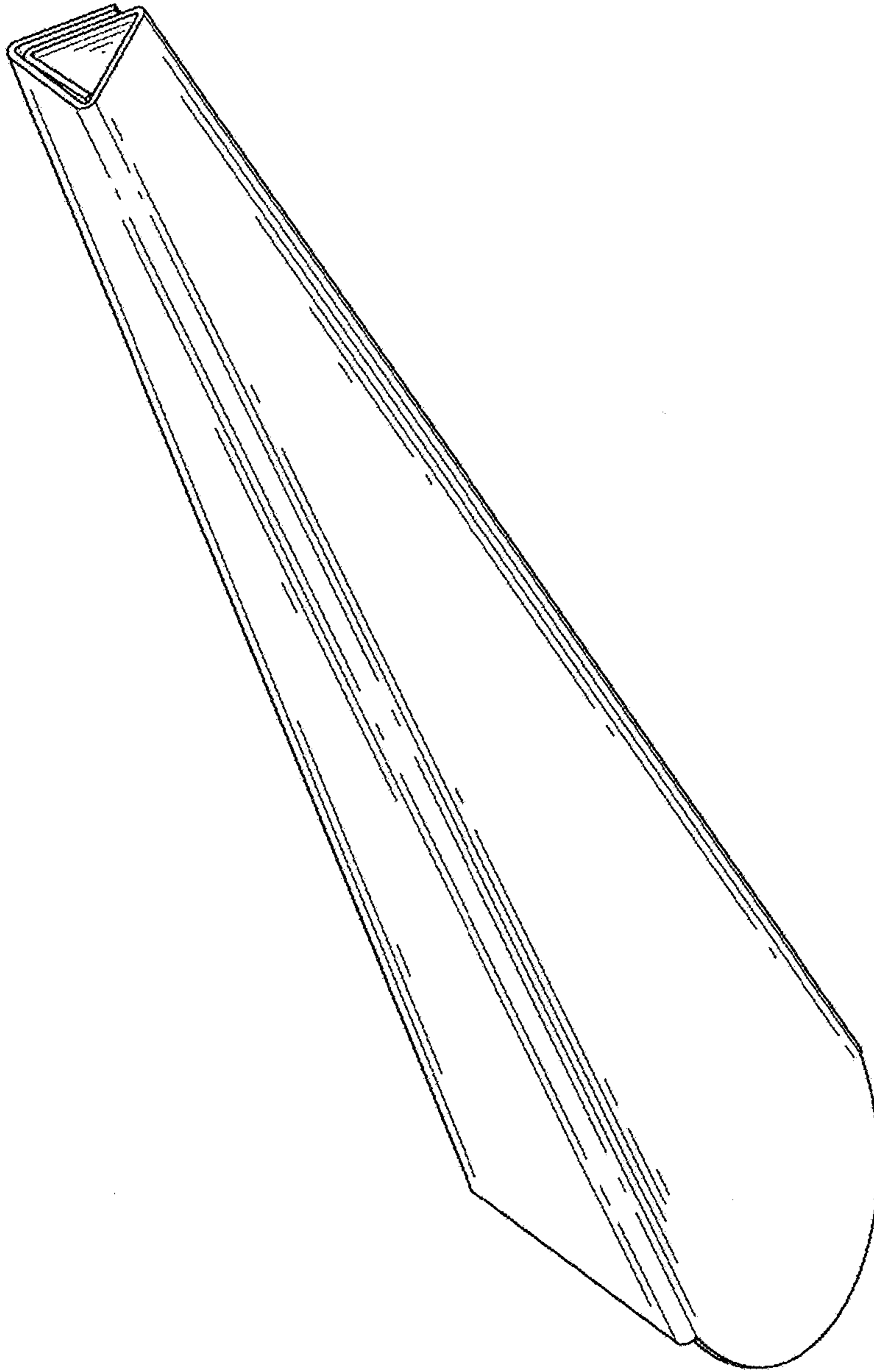


FIG. 2

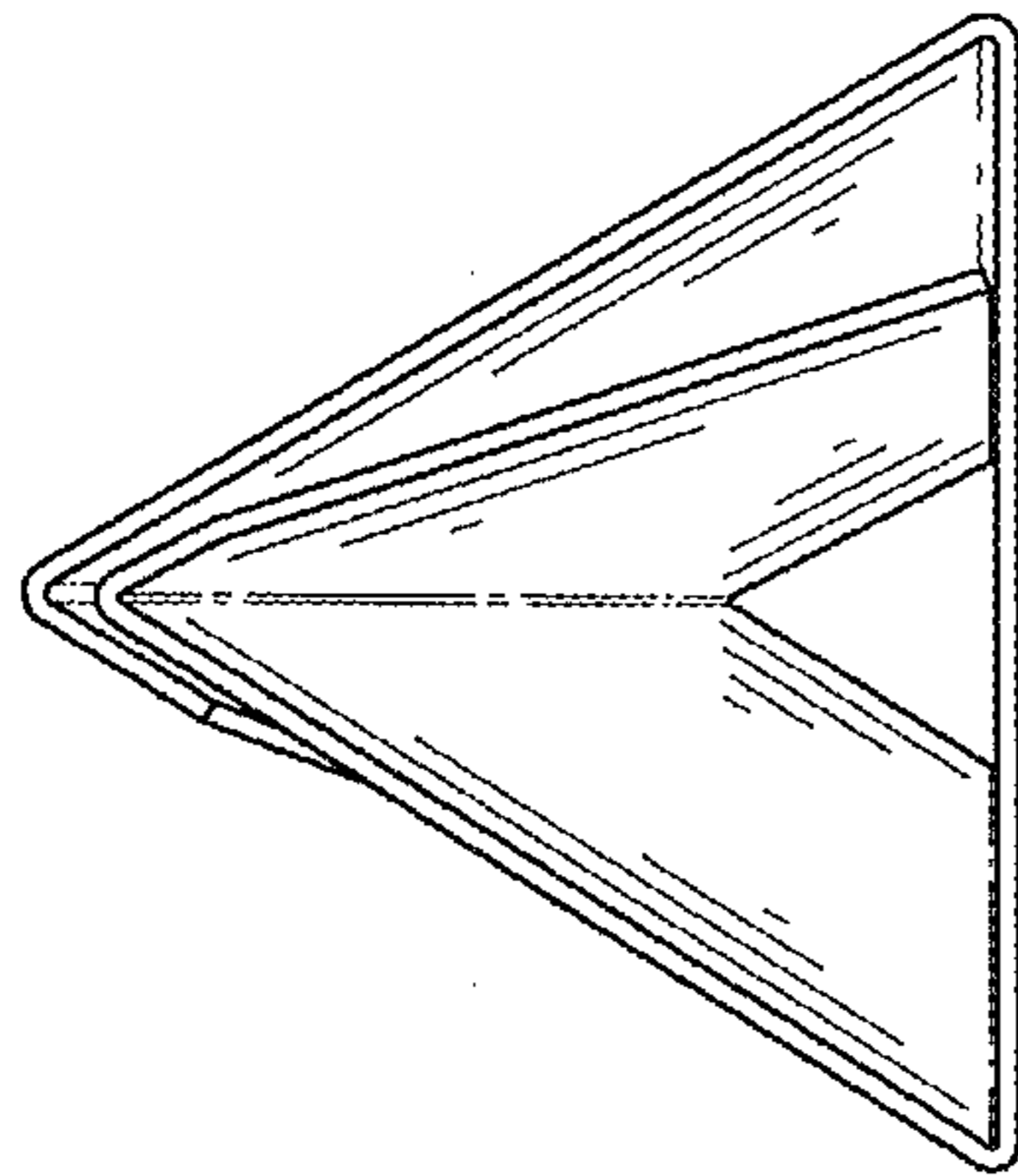


FIG. 3

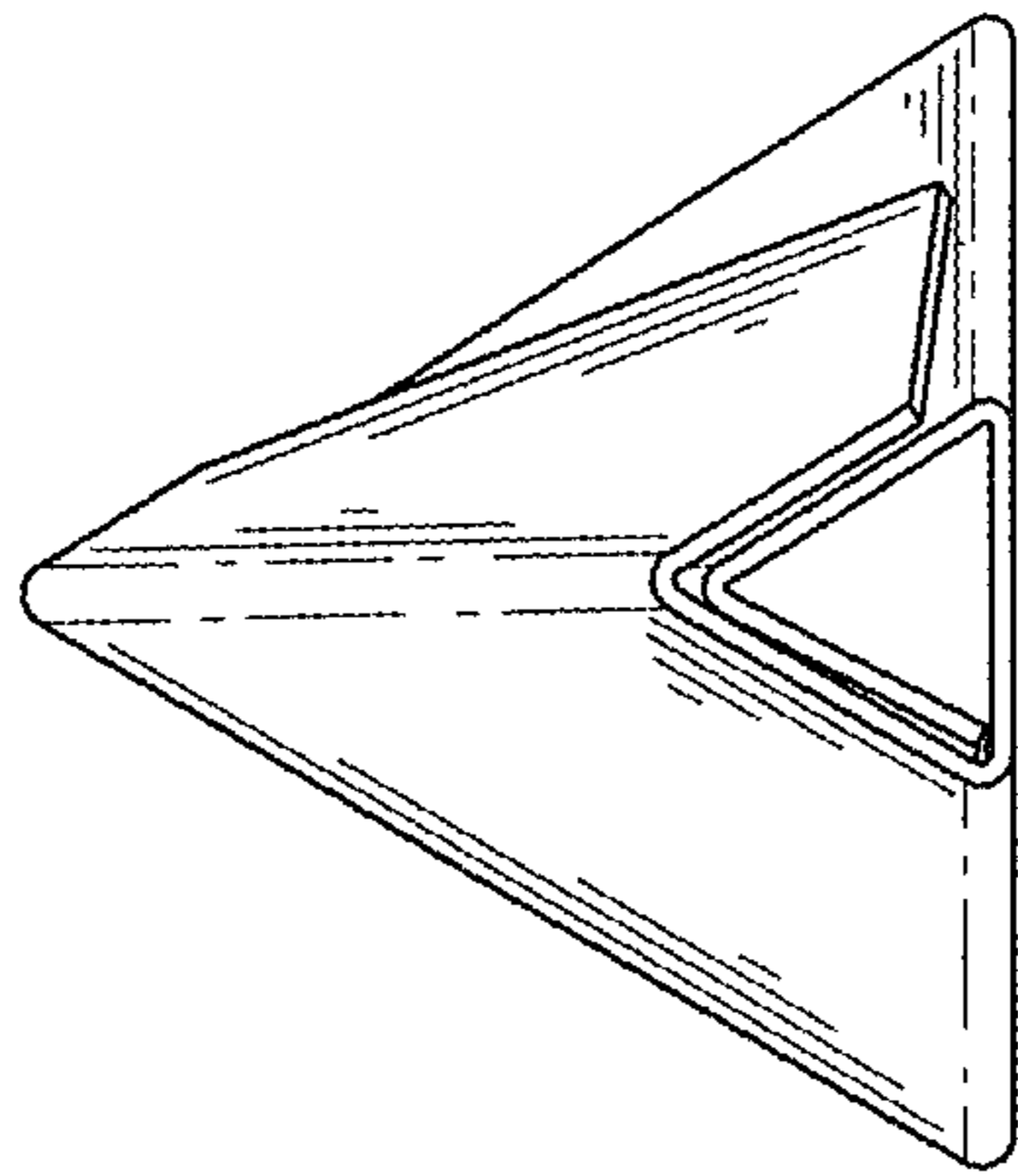


FIG. 4

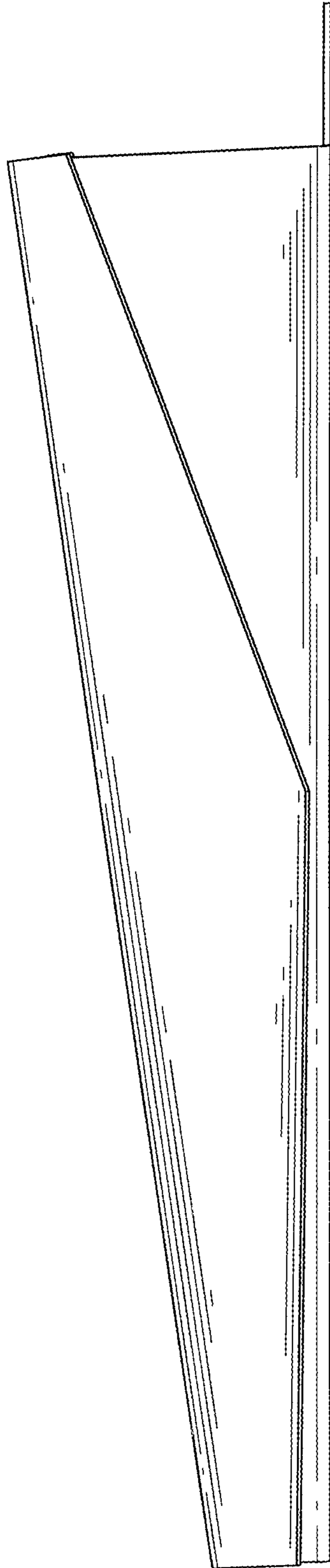


FIG. 5

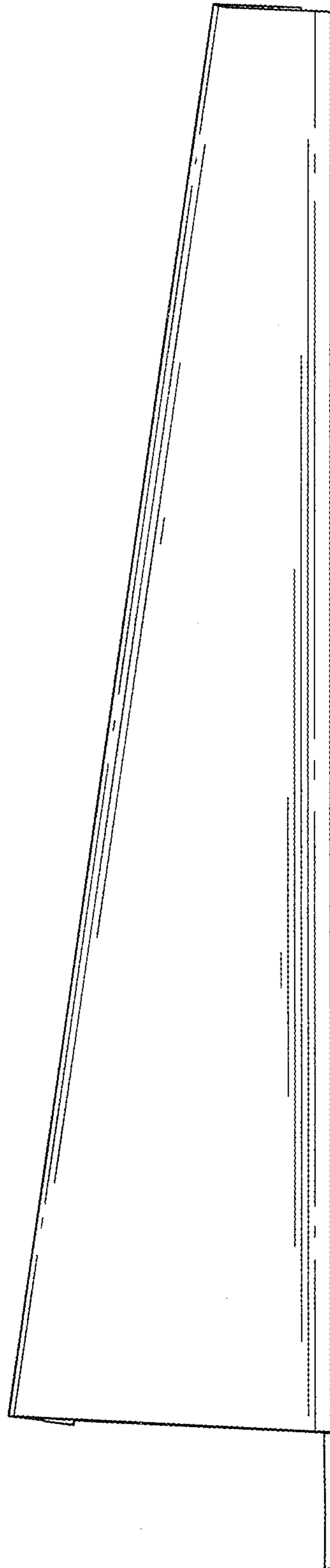


FIG. 6

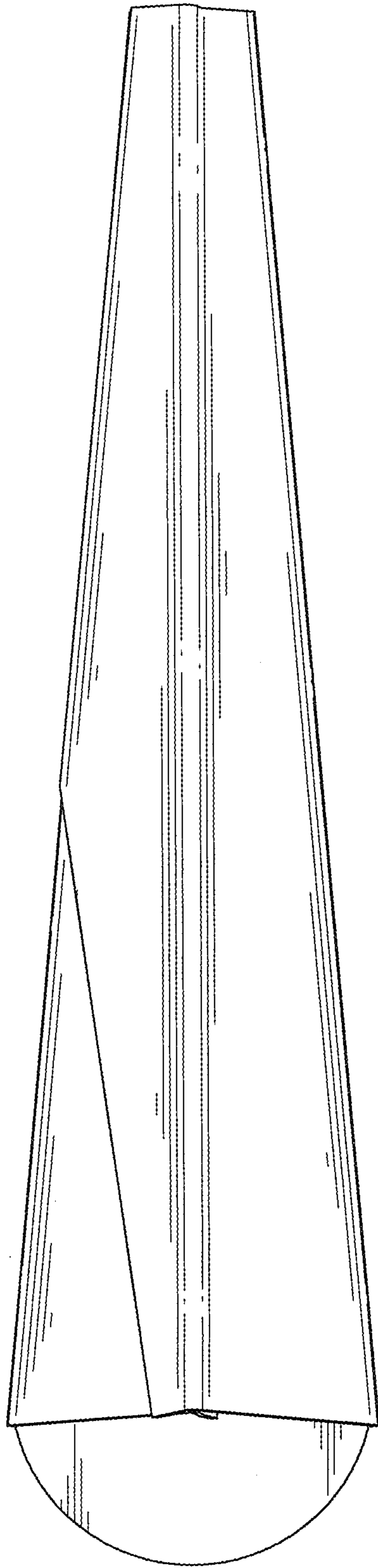


FIG. 7

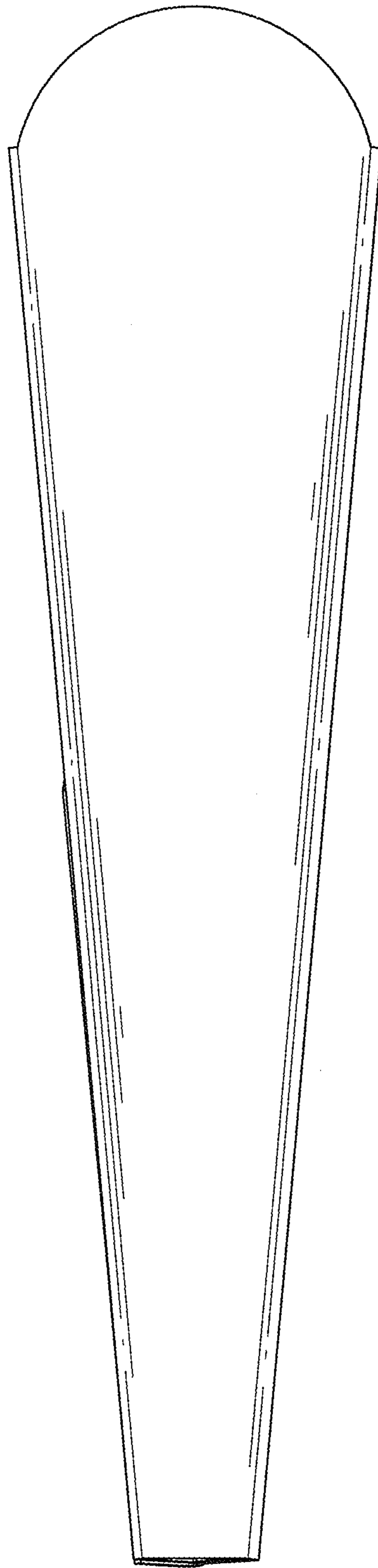


FIG. 8

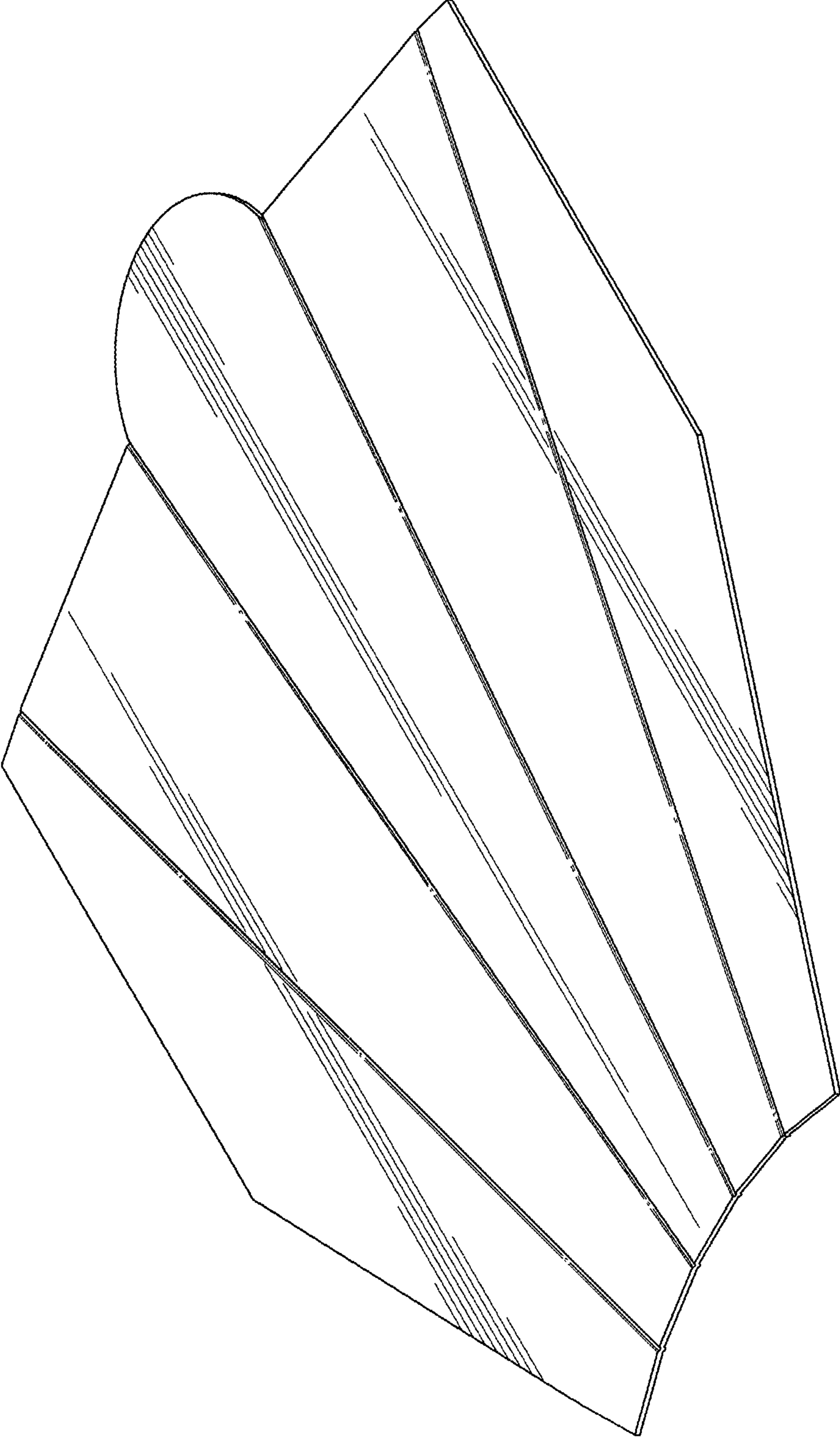


FIG. 9