



US00D850221S

(12) **United States Design Patent** (10) **Patent No.:** **US D850,221 S**
Gross et al. (45) **Date of Patent:** **** Jun. 4, 2019**

(54) **NUT MILK MAKER**

URL: <http://www.baristamagazine.com/nut-milk-machine-brewista/>*

(71) Applicant: **Eternal East (HK) Ltd.**, Hong Kong (CN)

(Continued)

(72) Inventors: **Charles Brian Gross**, Cheyenne, WY (US); **Nile Robert Fedewa**, Ft Collins, CO (US)

Primary Examiner — Susan Bennett Hattan

Assistant Examiner — Omeed Agilee

(73) Assignee: **ETERNAL EAST (HK) LTD.**, Hong Kong (CN)

(74) *Attorney, Agent, or Firm* — Polson Intellectual Property Law P.C.; Margaret Polson; Christopher R. Sylvain

(**) Term: **15 Years**

(57) **CLAIM**

(21) Appl. No.: **29/596,849**

The ornamental design for a nut milk maker, as shown and described.

(22) Filed: **Mar. 10, 2017**

(51) **LOC (11) Cl.** **31-00**

(52) **U.S. Cl.**

USPC **D7/665**

(58) **Field of Classification Search**

USPC D7/372–374, 378, 381, 384, 665–668

CPC A47J 19/00; A47J 19/02; A47J 19/025;

A47J 19/027; A23N 1/00; A23N 1/02;

A23N 1/10

See application file for complete search history.

DESCRIPTION

FIG. 1 is a front perspective view of a nut milk maker according to our new design.

FIG. 2 is a front side elevation view of FIG. 1.

FIG. 3 is a back side elevation view of FIG. 1.

FIG. 4 is a left side elevation view of FIG. 1.

FIG. 5 is a right side elevation view of FIG. 1.

FIG. 6 is a top plan view of FIG. 1.

FIG. 7 is a bottom plan view of FIG. 1.

FIG. 8 is a front perspective view of the assembled mixing bowls of the nut milk maker of FIG. 1.

FIG. 9 is a front side elevation view of FIG. 8.

FIG. 10 is a back side elevation view of FIG. 8.

FIG. 11 is a left side elevation view of FIG. 8.

FIG. 12 is a right side elevation view of FIG. 8.

FIG. 13 is a top plan view of FIG. 8.

FIG. 14 is a bottom plan view of FIG. 8.

FIG. 15 is an exploded front perspective view of the mixing bowls of the nut milk maker of FIG. 1.

FIG. 16 is a front side elevation view of FIG. 15.

FIG. 17 is a back side elevation view of FIG. 15.

FIG. 18 is a left side elevation view of FIG. 15.

FIG. 19 is a right side elevation view of FIG. 15.

FIG. 20 is a top plan view of FIG. 15; and,

FIG. 21 is a bottom plan view of FIG. 15.

(Continued)

(56) **References Cited**

U.S. PATENT DOCUMENTS

D421,201 S	2/2000	Crescenzi et al.	
D466,363 S	* 12/2002	Dalton	D7/384
D488,344 S	* 4/2004	Seum	D7/384
D560,093 S	* 1/2008	Verdun	D7/384
D625,142 S	10/2010	Moore	

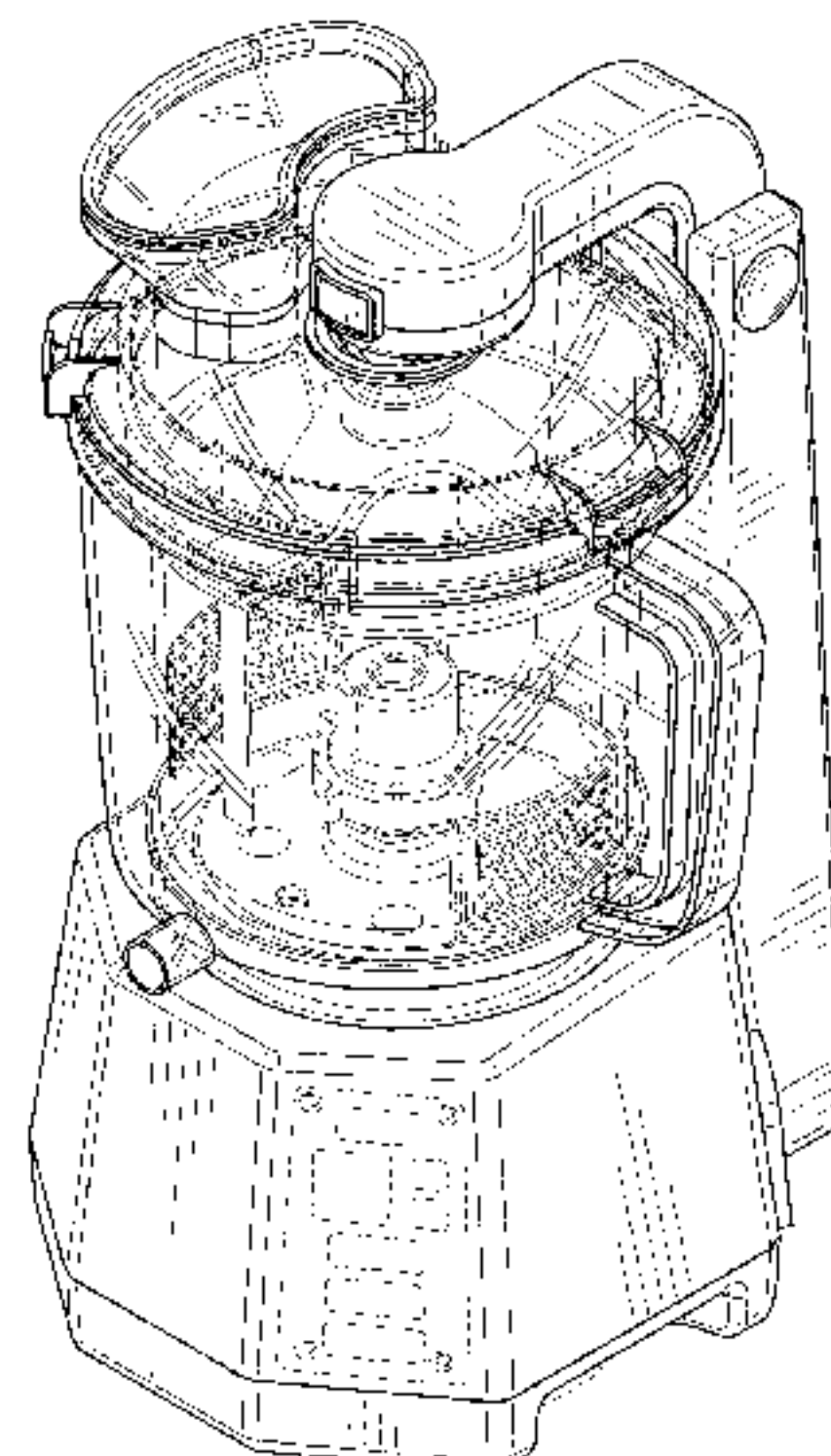
(Continued)

FOREIGN PATENT DOCUMENTS

CN 201330656487 * 12/2013

OTHER PUBLICATIONS

Nut of Course: Non-Dairy Milk Machine Off to the Races. Online, published date Mar. 30, 2017. Retrieved on Feb. 27, 2018 from



The broken lines in the drawings show environmental structure and form no part of the claimed design.

1 Claim, 21 Drawing Sheets

D809,342	S	*	2/2018	Coakley	D7/413
D812,416	S		3/2018	Carlson		
D815,887	S		4/2018	Huang et al.		
2006/0018189	A1		1/2006	Chang Chein		
2017/0303744	A1		10/2017	Sutton et al.		
2018/0014695	A1*		1/2018	Gross	A23L 25/30

(56)

References Cited

U.S. PATENT DOCUMENTS

D625,143	S	*	10/2010	Moore	D7/376
D625,144	S	*	10/2010	Moore	D7/376
D682,607	S	*	5/2013	Garman	D7/376
D683,578	S	*	6/2013	Nordwall	D7/376
D702,993	S	*	4/2014	Lownds	D7/376
D711,682	S	*	8/2014	Norland	D7/376
D731,234	S		6/2015	Weaden et al.		
D734,979	S		7/2015	Sanguinetti		
D739,679	S	*	9/2015	Benoit	D7/376
D740,621	S	*	10/2015	Fouquet	D7/665
D748,428	S	*	2/2016	Yuan	D7/376
D749,893	S		2/2016	Bazzicalupo et al.		
D758,787	S		6/2016	Ou		
D760,552	S	*	7/2016	Kim	D7/665
D761,617	S		7/2016	Dennisur et al.		
D764,241	S	*	8/2016	Lee	D7/665
D764,863	S	*	8/2016	Lee	D7/373
D784,761	S		4/2017	Tu		
D786,614	S	*	5/2017	Smith	D7/376
D796,896	S	*	9/2017	Blaise	D7/376
D798,101	S		9/2017	Rose et al.		
D799,891	S		10/2017	Lecoutre et al.		
D807,700	S		1/2018	Tu		

OTHER PUBLICATIONS

Owner's manual dated 2006 for Soyabella Model SB-130 automatic soymilk maker and coffee grinder made by Tribest Corporation. 10 pages.

User manual dated 2013 for Oster Designed for Life blenders made by Sunbeam Products, Inc. pp. 1-19.

Instruction and Recipe Booklet dated 2015 for Premier Series 9-Cup Food Processor, DLC-2009M Series, made by Cuisinart. 73 pages.

Owner's manual dated Mar. 20, 2012 for Hamilton Beach Food Processor. pp. 1-12.

Owner's Guide dated Dec. 12, 2006 for Ninja Mega Kitchen System BL770 series sold by Euro-Pro Operating LLC. 24 pages.

Owner's Guide dated Jun. 27, 2012 for Ninja Mega Kitchen System BL772 sold by Euro-Pro Operating LLC. 24 pages.

Owner's manual dated Jan. 18, 2014 for Hamilton Beach Blender. pp. 1-12.

Instruction and Recipe Booklet dated Apr. 29, 2015 for Peanut Butter Maker model NBM400 made by Nostalgia Products. pp. 1-12.

Instruction and Recipe Booklet dated May 2, 2016 for Professional Peanut Butter Maker model PBM500 made by Nostalgia Products. pp. 1-13.

* cited by examiner

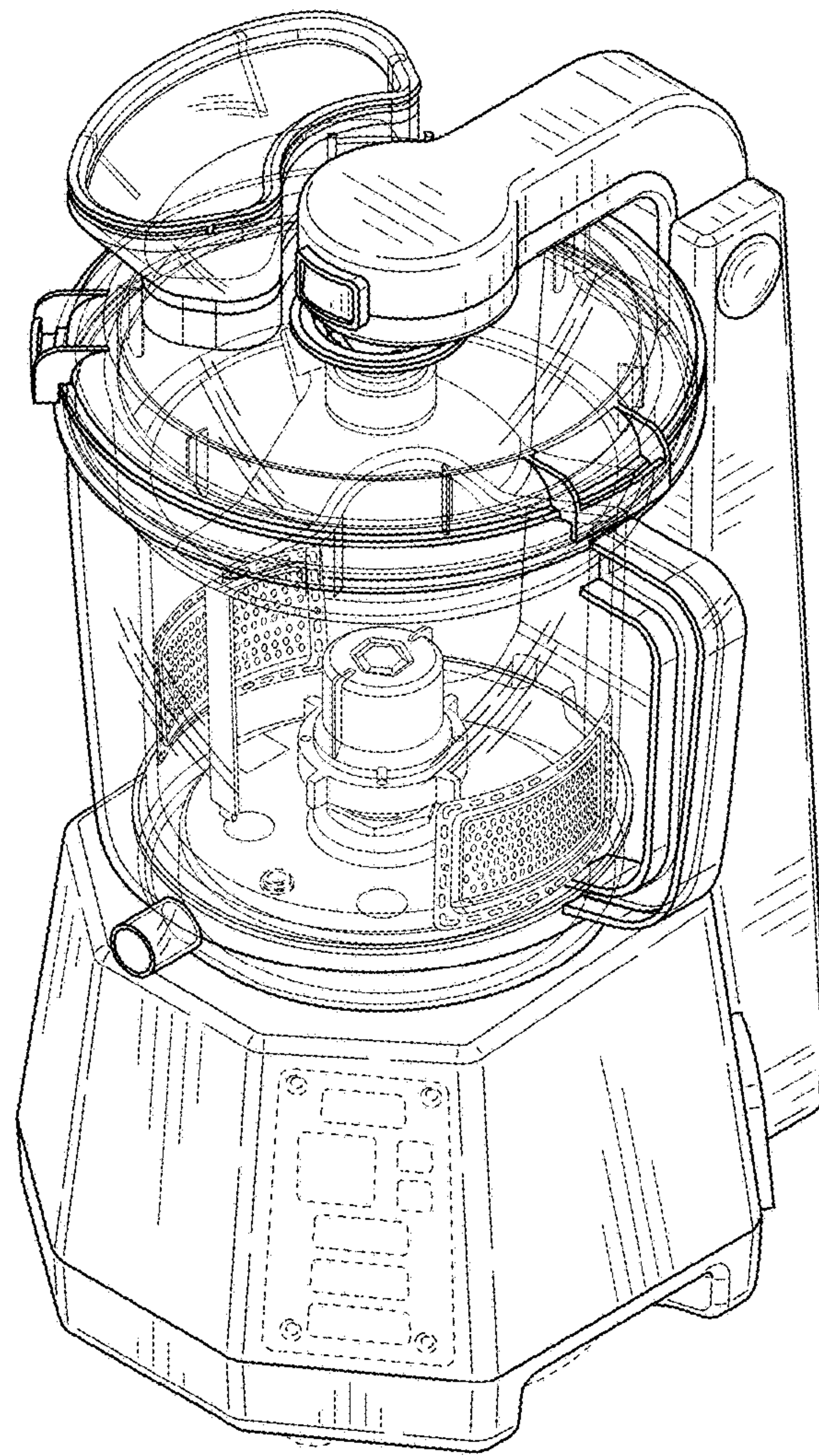


FIG. 1

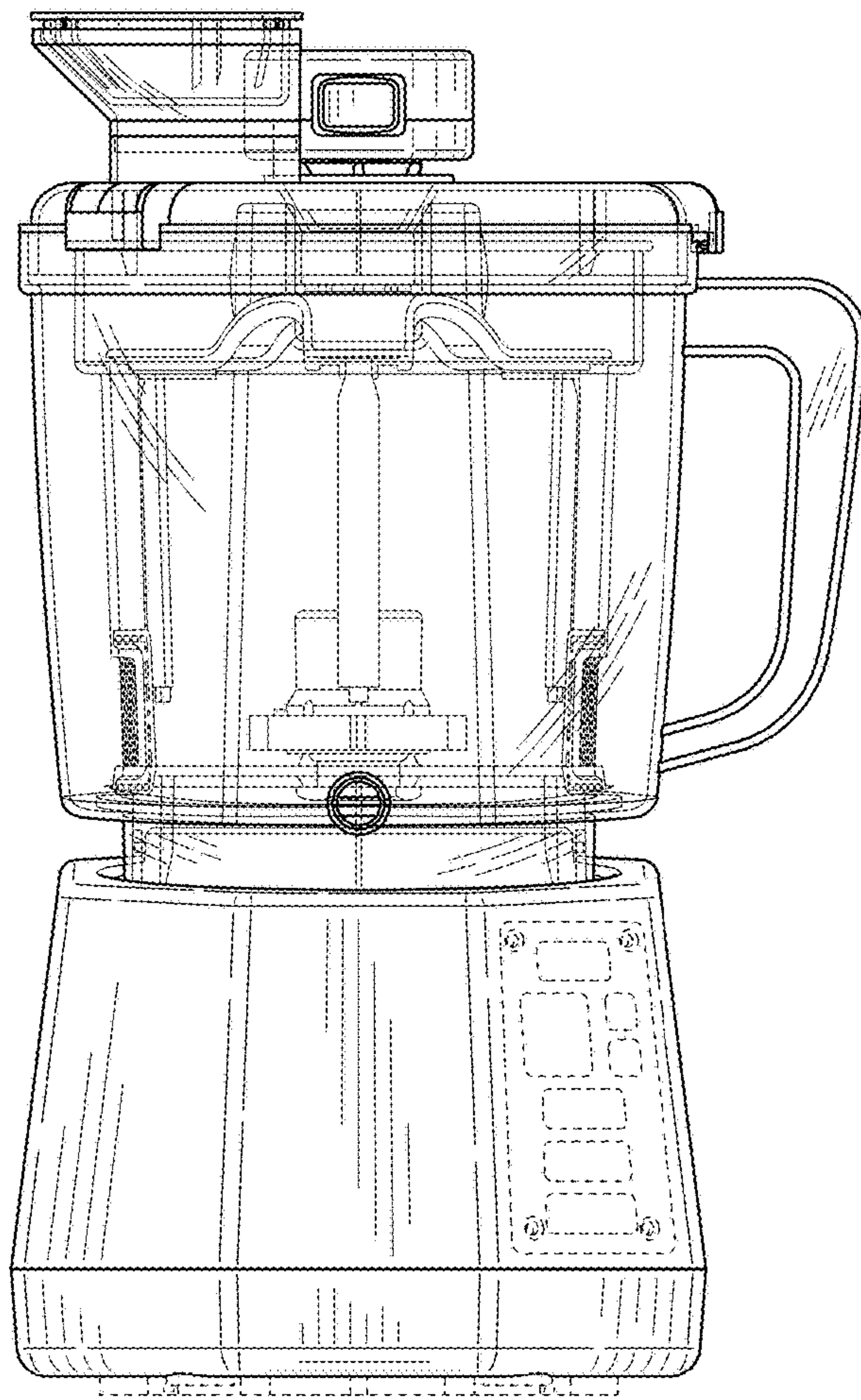


FIG. 2

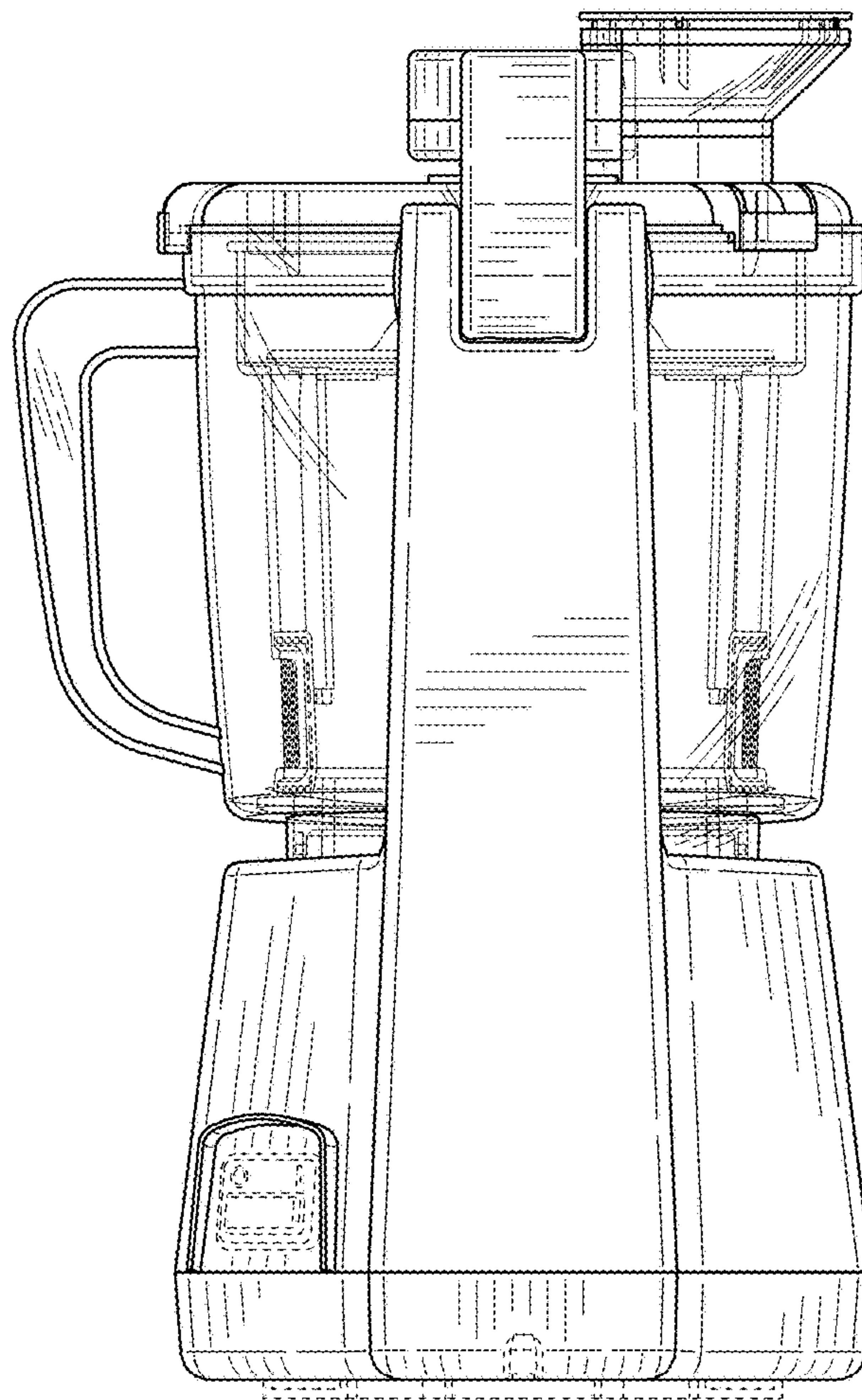


FIG. 3

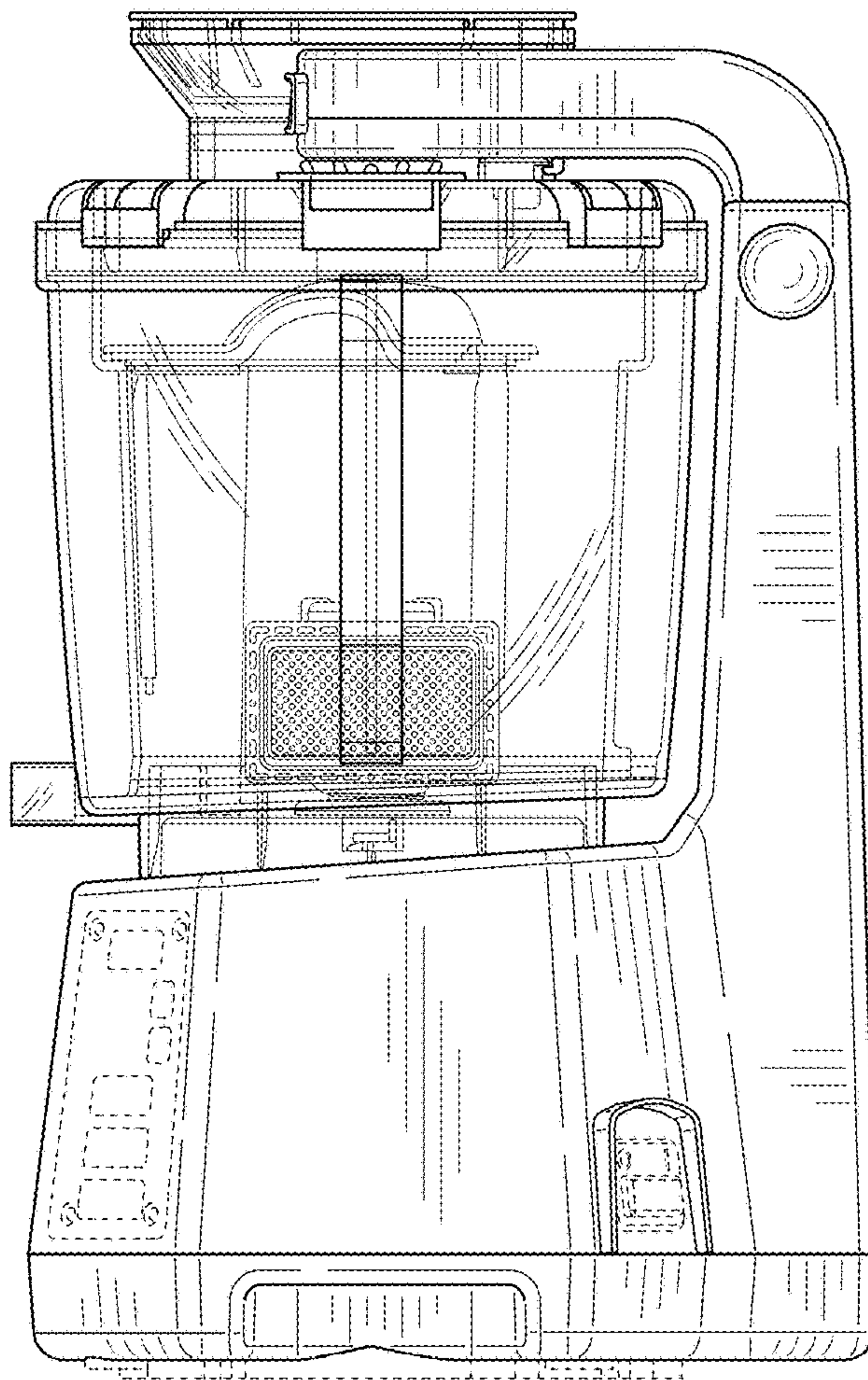


FIG. 4

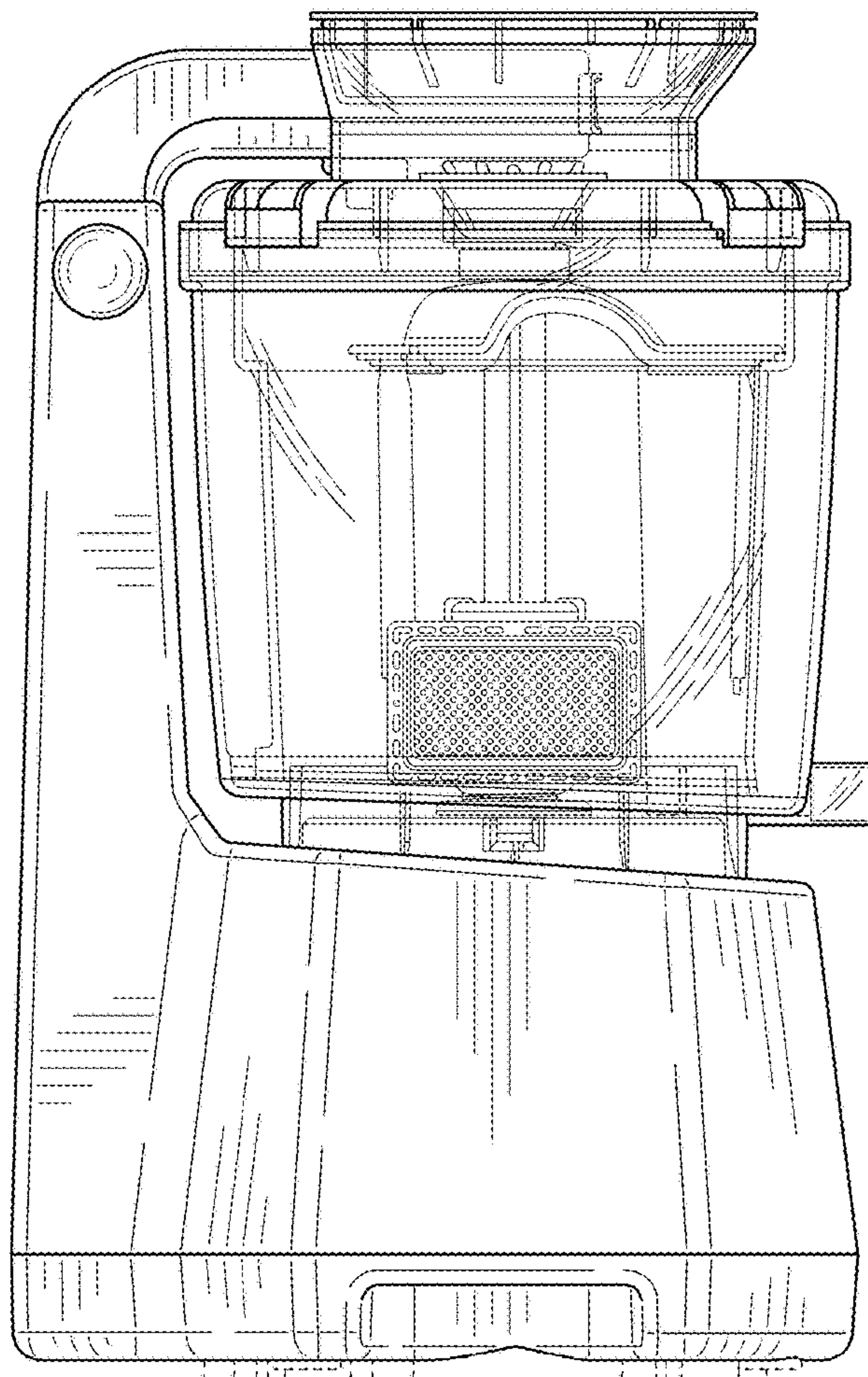


FIG. 5

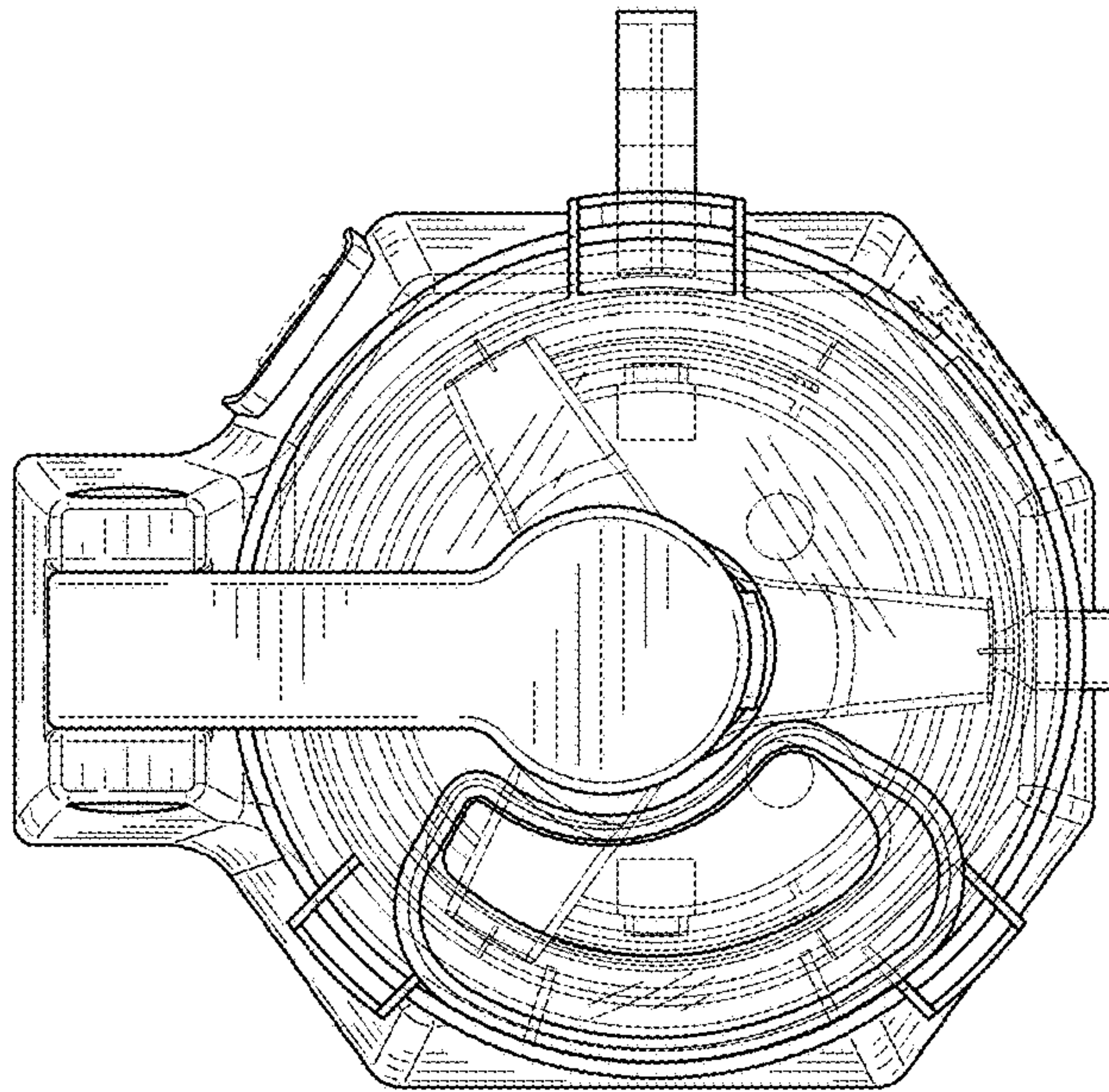


FIG. 6

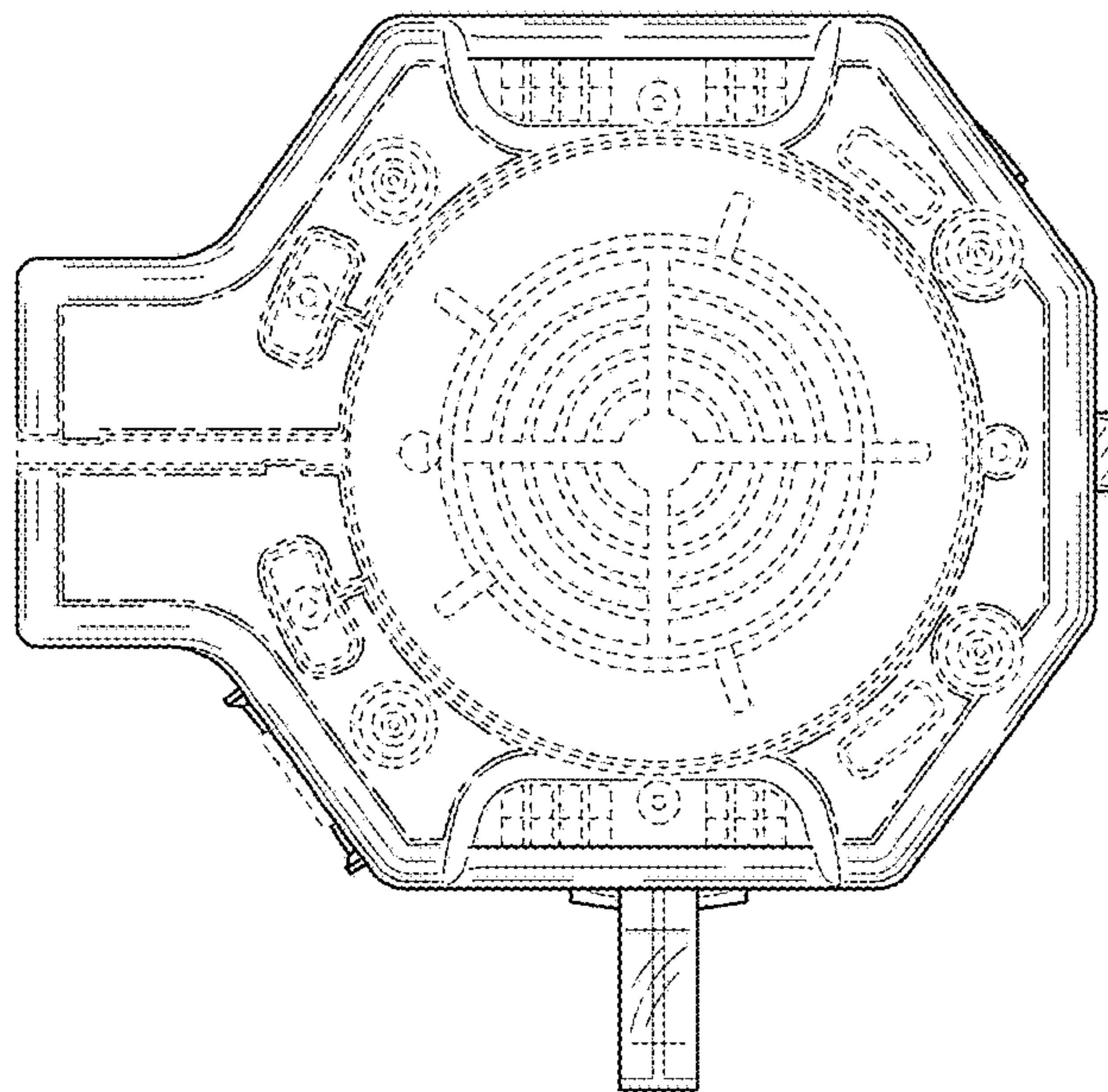


FIG. 7

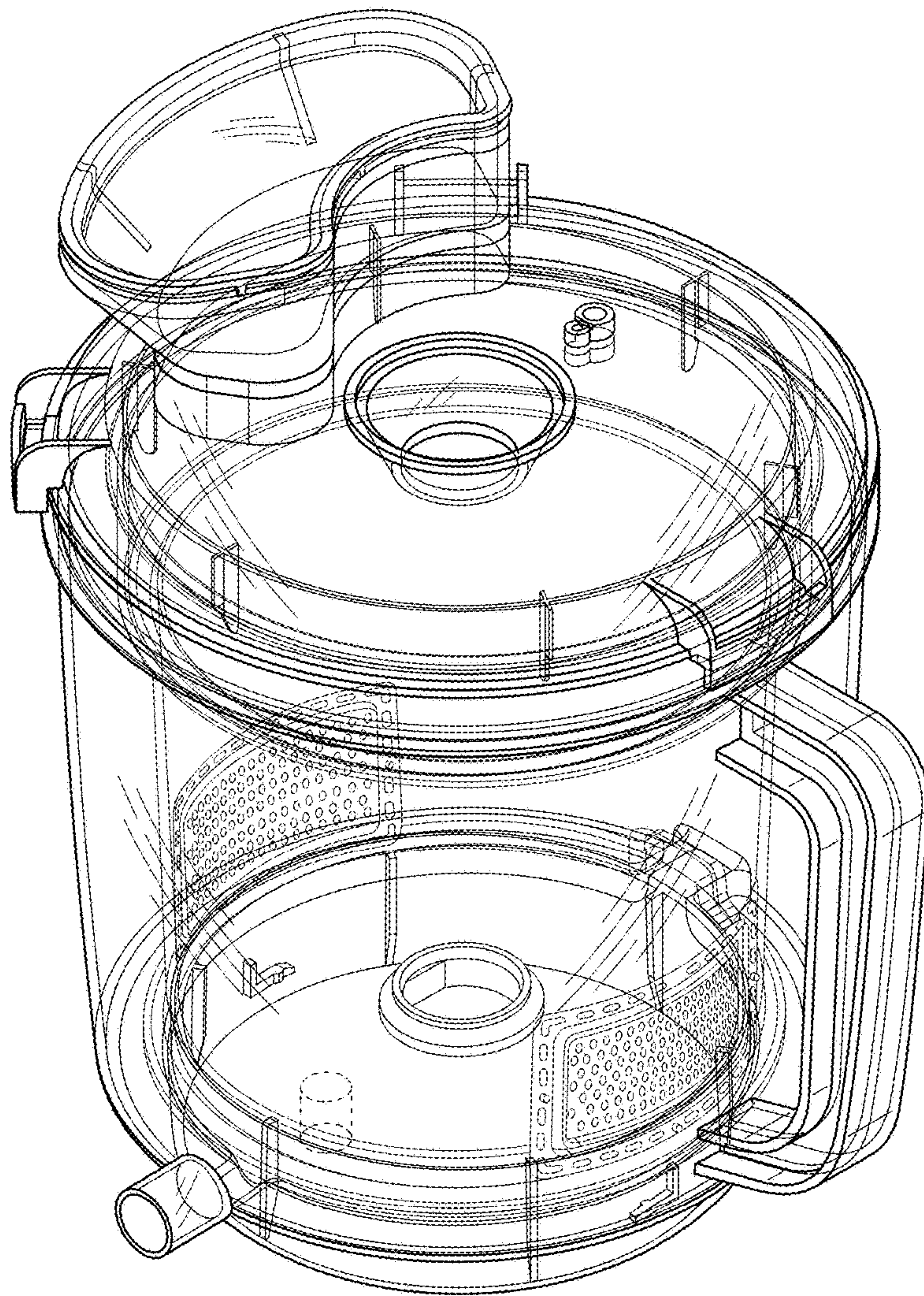


FIG. 8

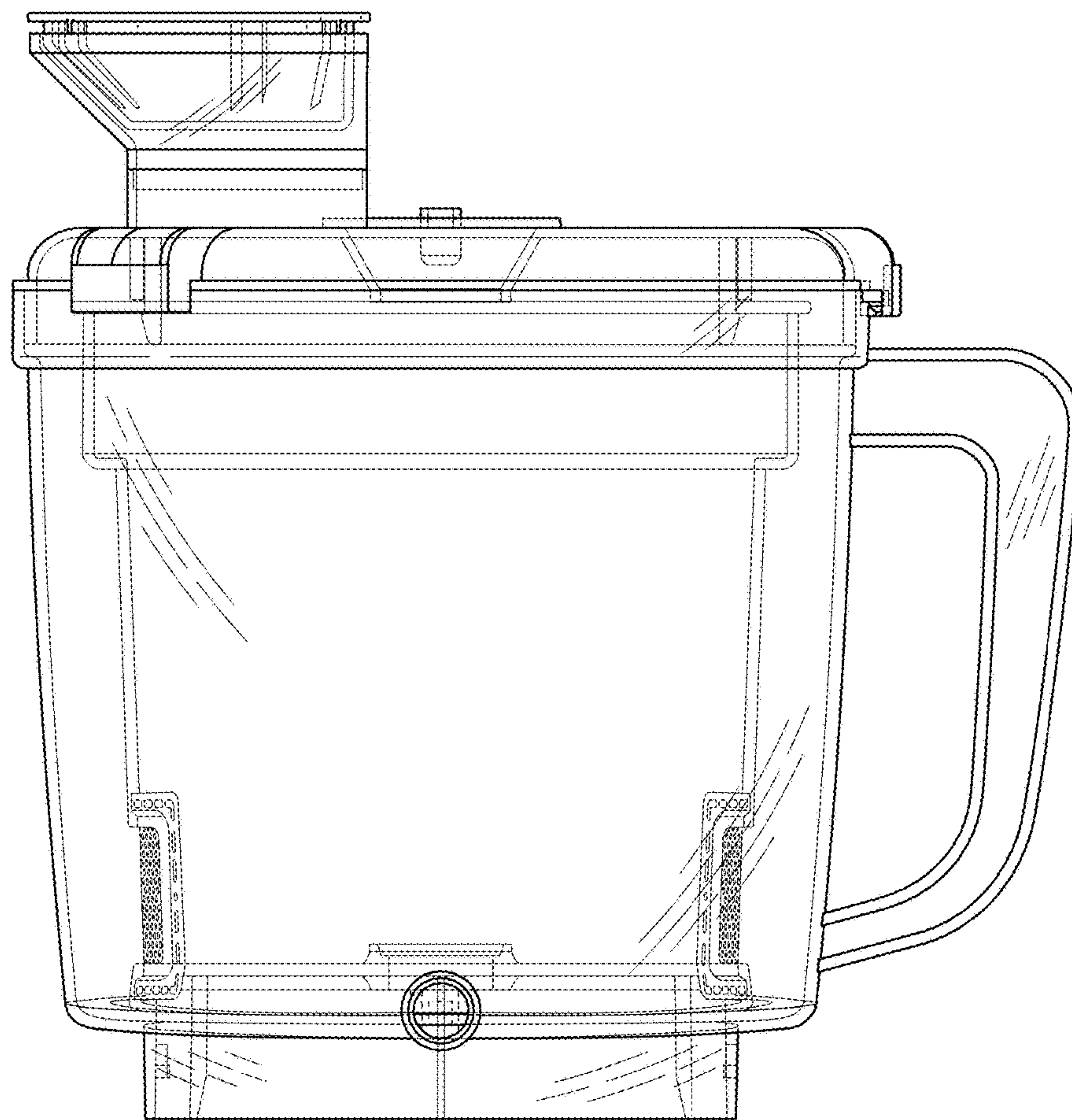


FIG. 9

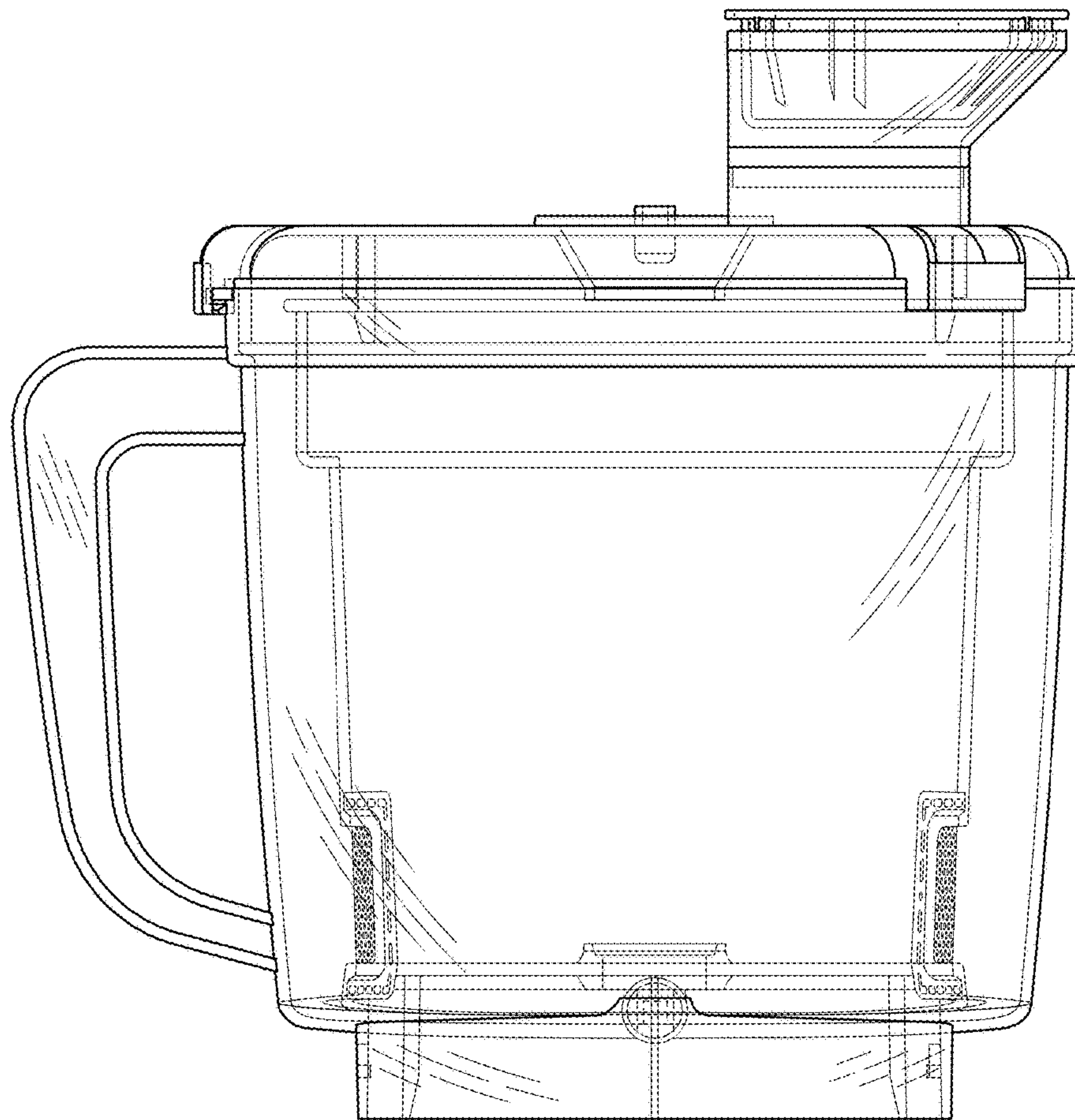


FIG. 10

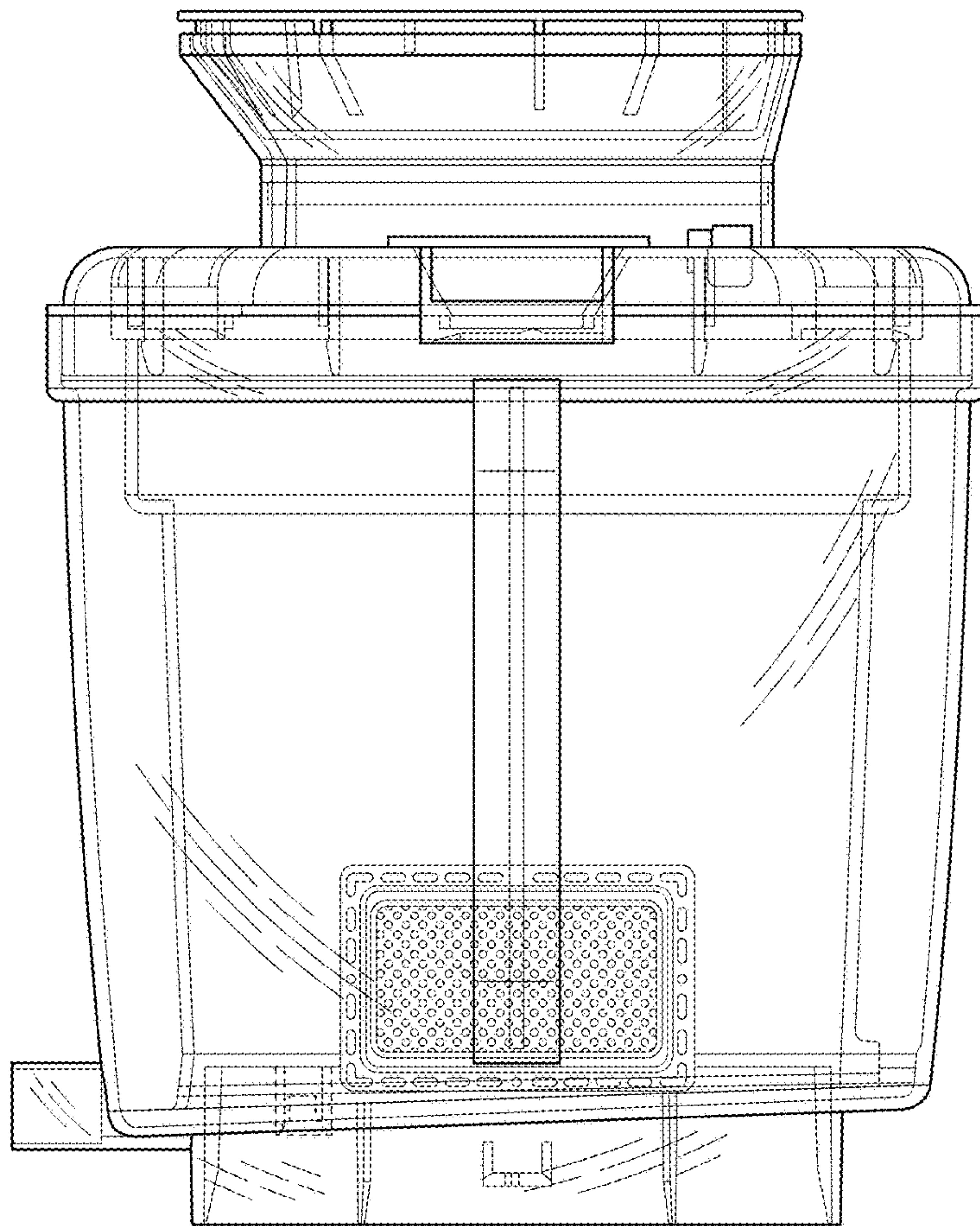


FIG. 11

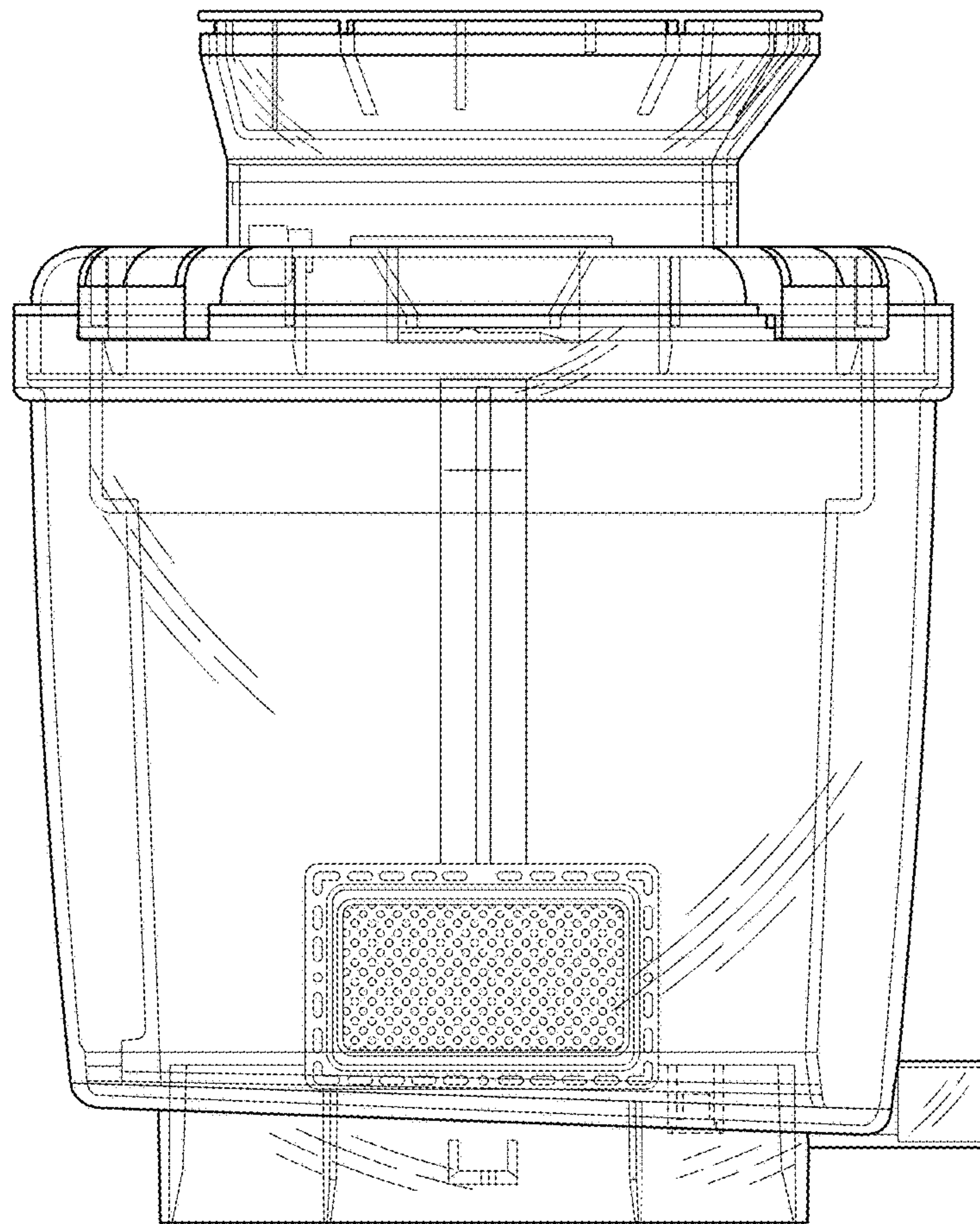


FIG. 12

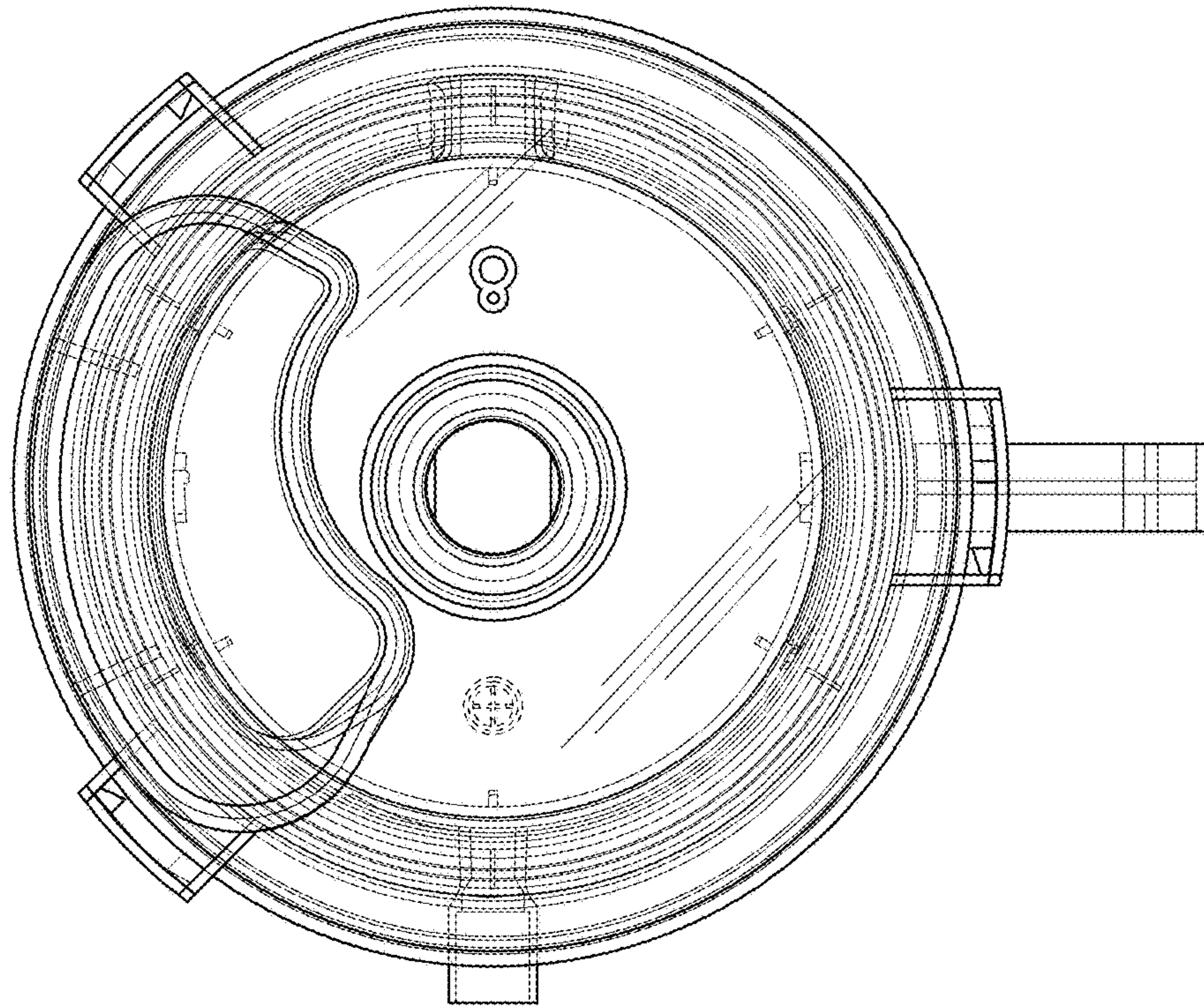


FIG. 13

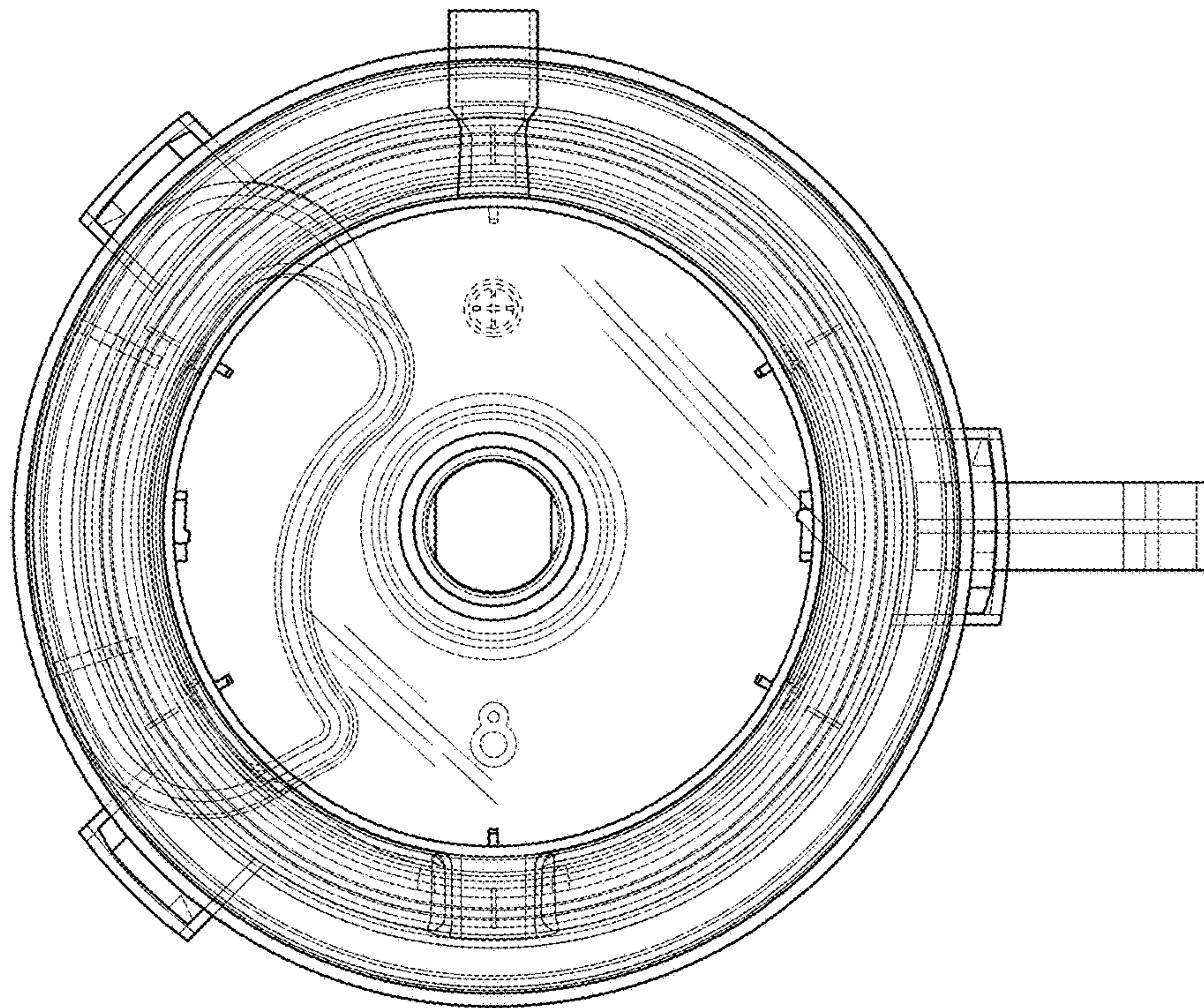


FIG. 14

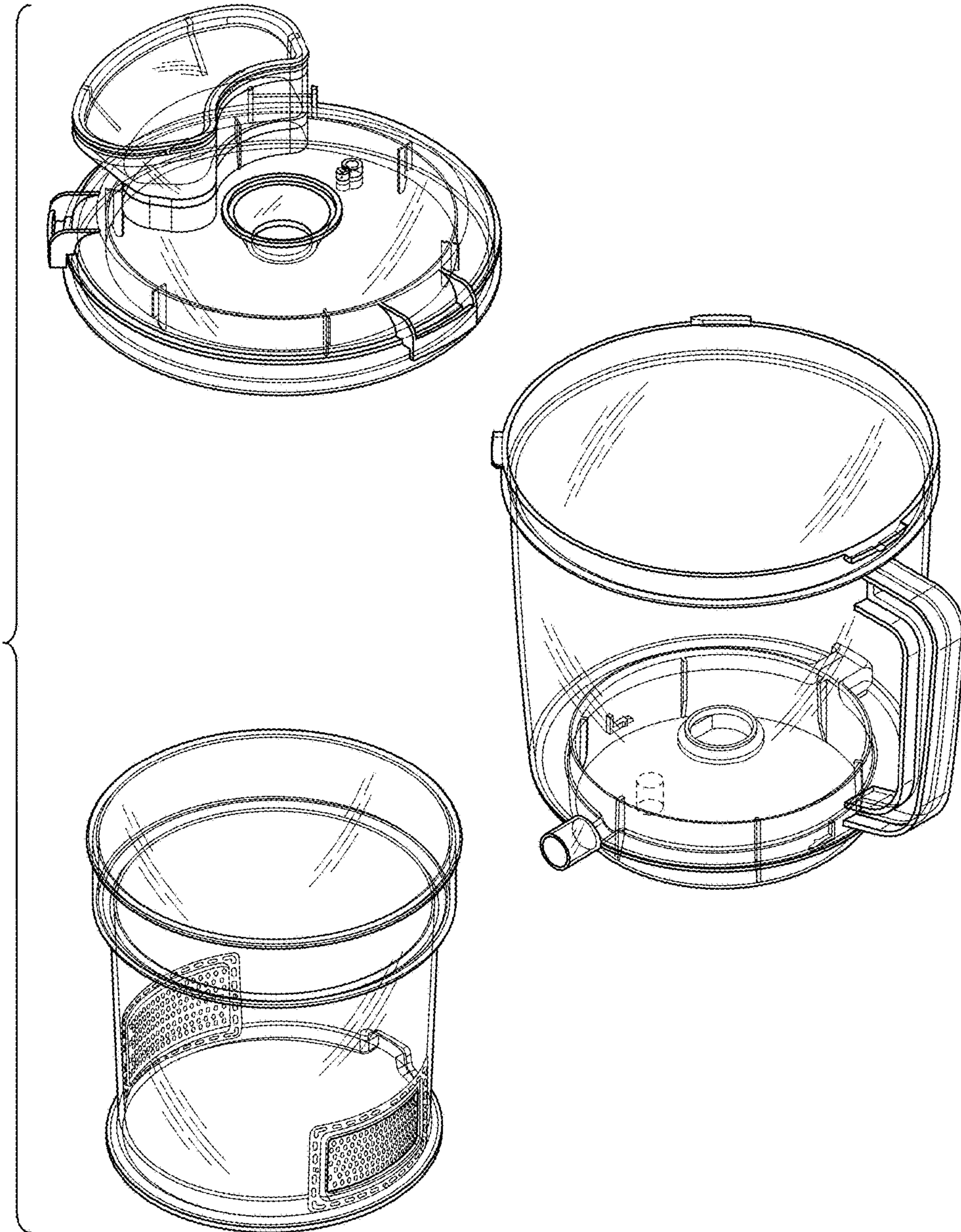


FIG. 15

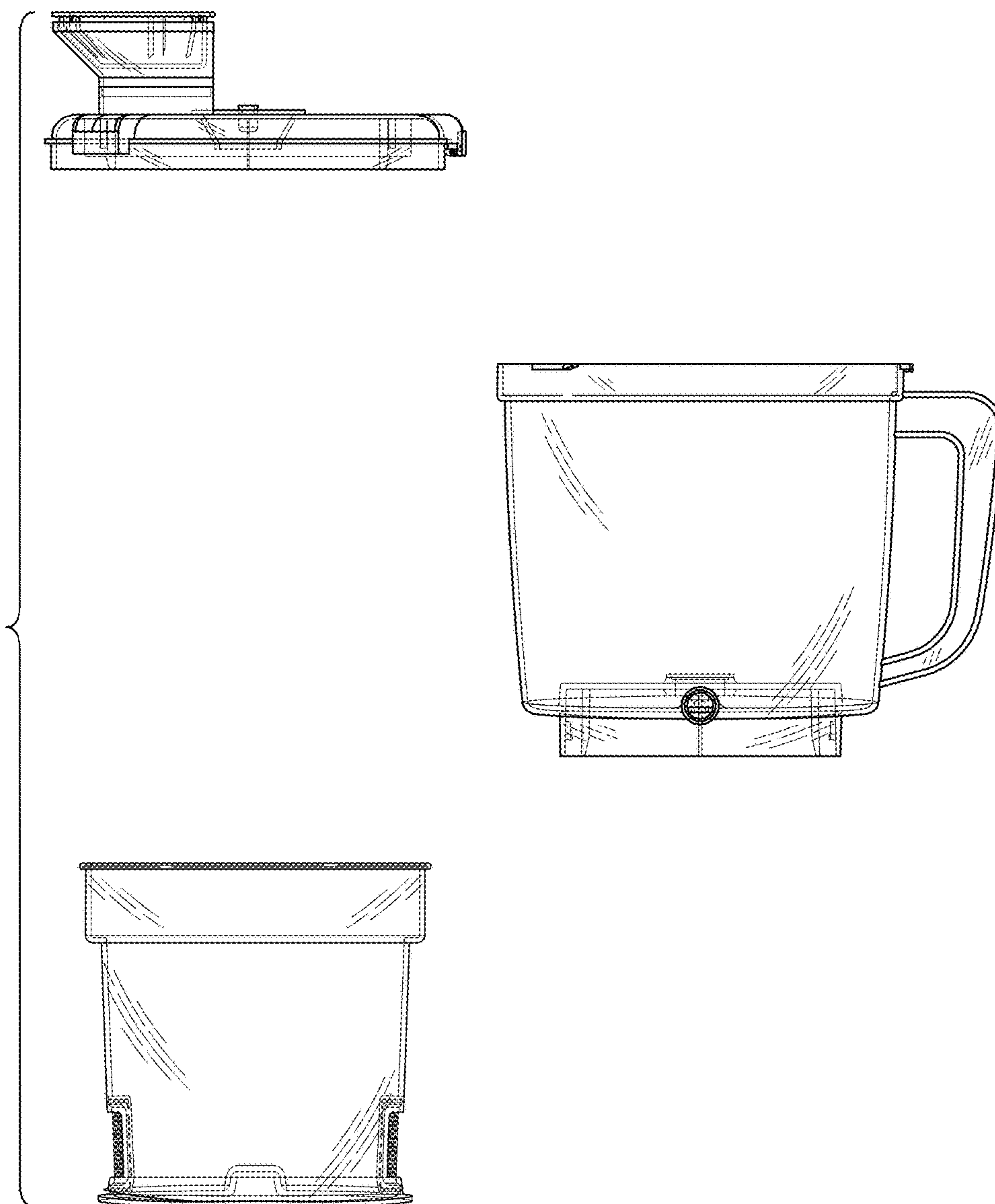


FIG. 16

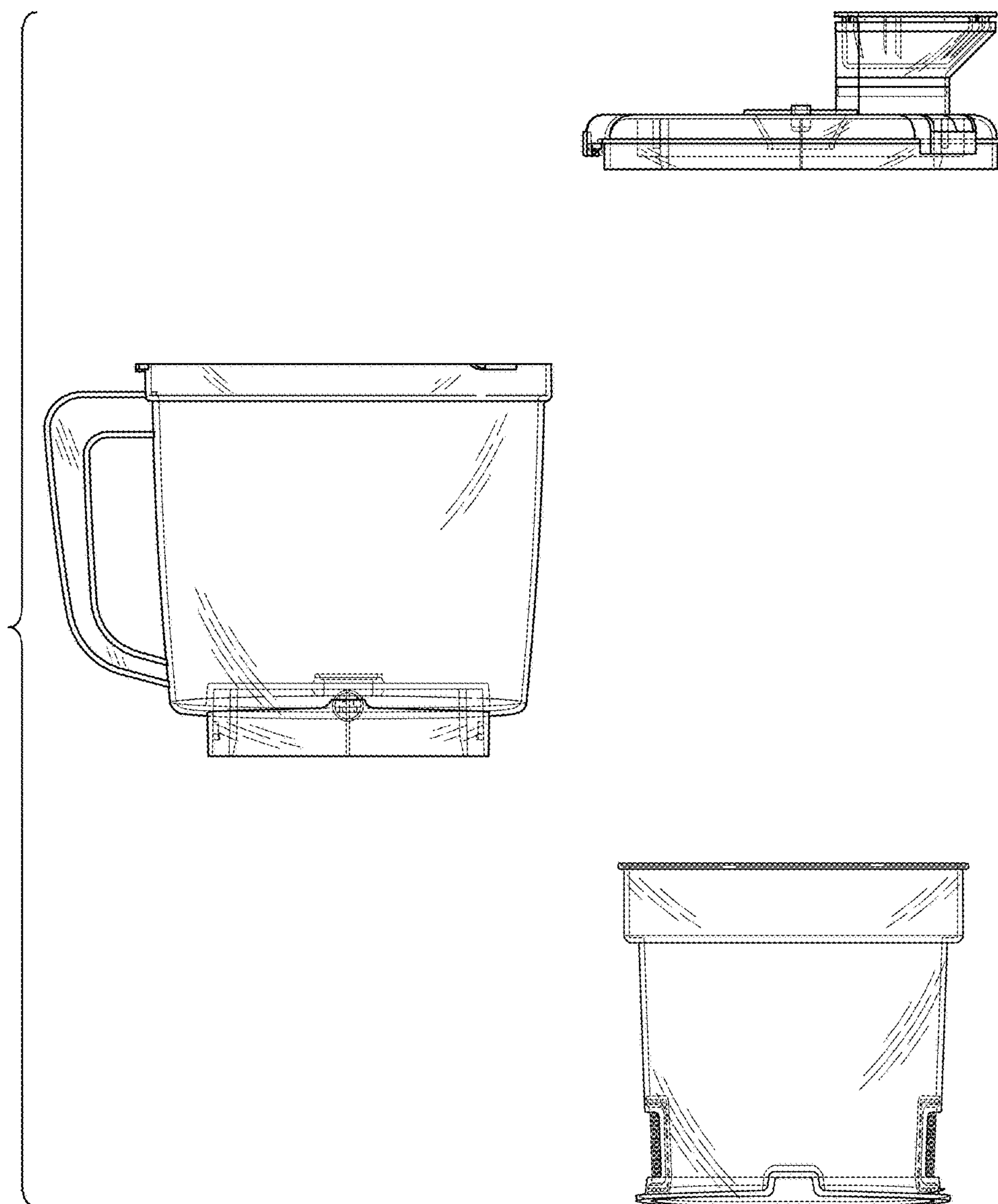


FIG. 17

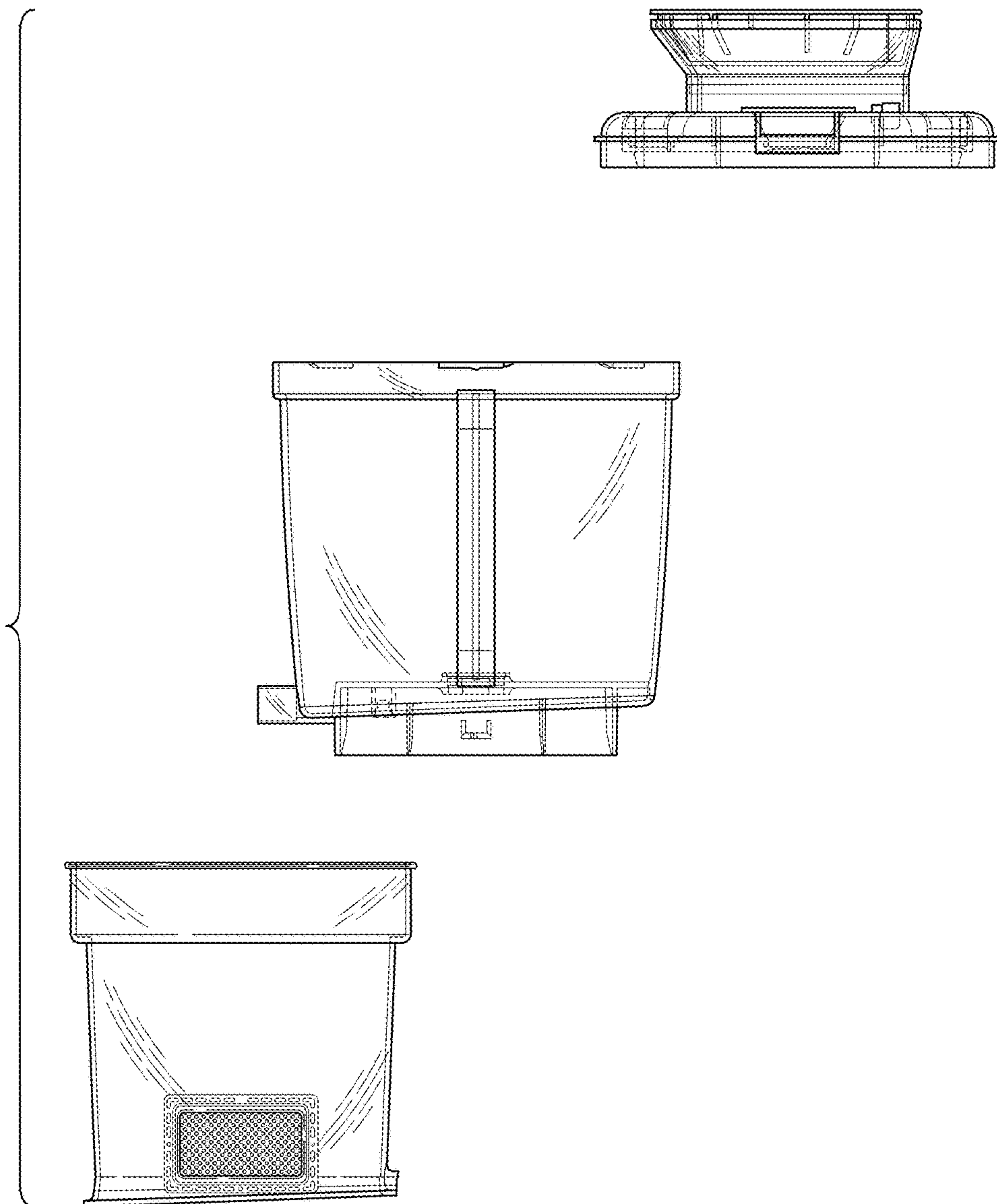


FIG. 18

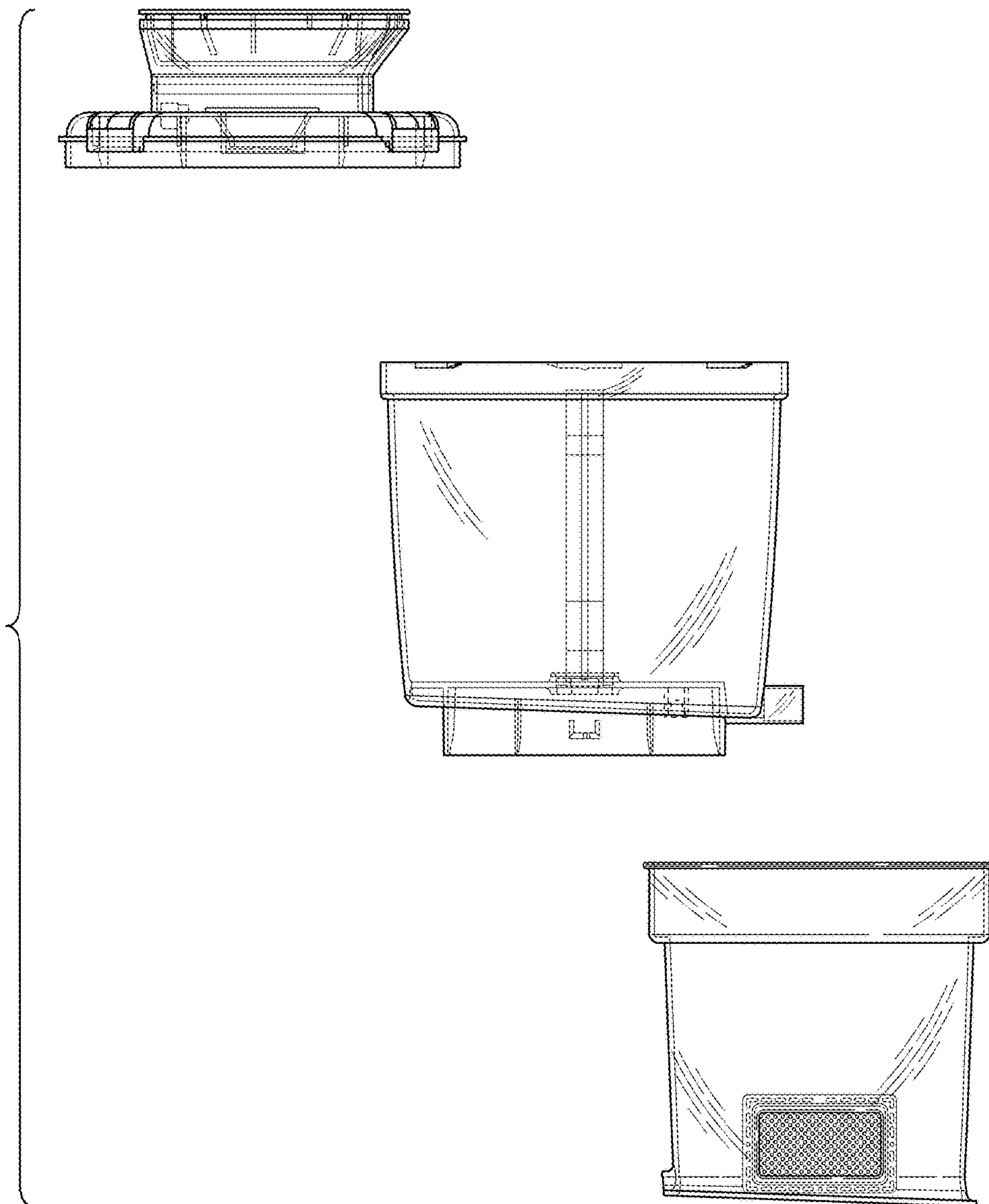


FIG. 19

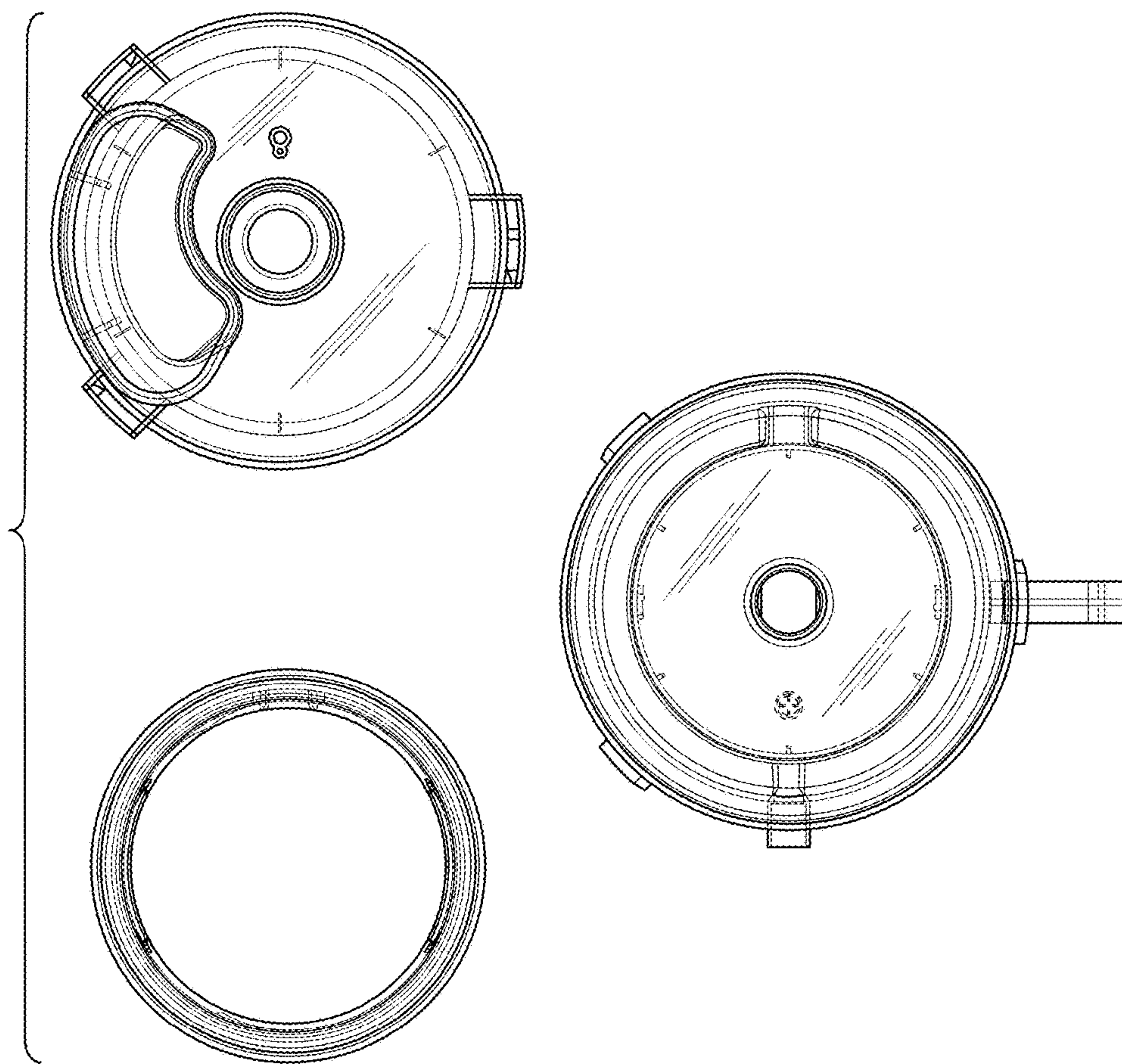


FIG. 20

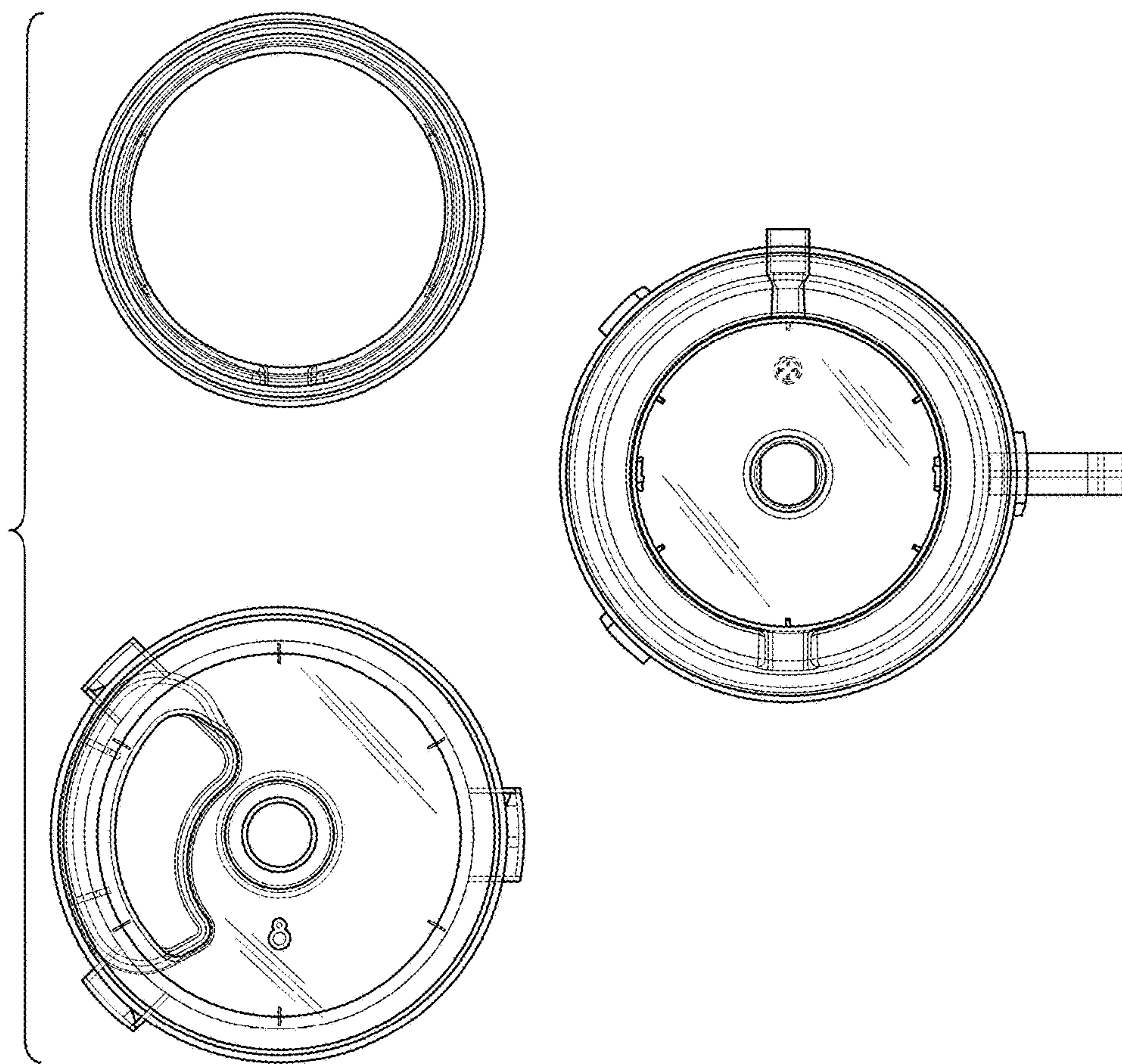


FIG. 21