



US00D850220S

(12) **United States Design Patent** (10) **Patent No.:** **US D850,220 S**
Lu (45) **Date of Patent:** **** Jun. 4, 2019**

(54) **COMBINED JUICE EXTRACTOR AND SLICER**

(71) Applicant: **Cong Qiang Lu**, Taizhou (CN)

(72) Inventor: **Cong Qiang Lu**, Taizhou (CN)

(**) Term: **15 Years**

(21) Appl. No.: **29/582,749**

(22) Filed: **Oct. 31, 2016**

(51) **LOC (11) Cl.** **07-04**

(52) **U.S. Cl.**
USPC **D7/665**

(58) **Field of Classification Search**

USPC D7/412, 665-668, 678-680, 682, 683,
D7/685, 686, 371, 372, 376-386, 395,
(Continued)

(56) **References Cited**

U.S. PATENT DOCUMENTS

D89,652 S * 4/1933 Preston D7/665
2,042,341 A * 5/1936 Hgenfritz A47J 19/022
99/508

(Continued)

OTHER PUBLICATIONS

Chef Central. Trudeau Mini Citrus Juicer. 2017 [earliest online date], [site visited Nov. 8, 2017]. Available from Internet, <URL:http://www.chefcentral.com/trudeau-mini-citrus-juicer-assorted.html>. (Year: 2017).*

(Continued)

Primary Examiner — George D. Kirschbaum

Assistant Examiner — Darcey E Heflin

(74) *Attorney, Agent, or Firm* — James Creighton Wray;
Meera P. Narasimhan

(57) **CLAIM**

The design for a combined juice extractor and slicer, as shown and described.

DESCRIPTION

FIG. 1 is a side and top exploded perspective view of axially separated parts of the combined juice extractor and slicer showing the lid removed from the transparent bowl portion and parts there between. The third part from the top is shown inverted from its in-use position to show how the parts are positioned for packaging.

FIG. 2 is a top and side perspective view of the main body of the combined juice extractor and slicer as shown in FIG. 1 with a cutter positioned in the main body.

FIG. 3 is a side and top perspective view of the main body and slicer part of the combined juice extractor and slicer as shown in FIG. 1 inserted in the main body of the juice extractor and slicer.

FIG. 4 is a bottom and side perspective view of the main body of the combined juice extractor and slicer as shown in FIGS. 1-3.

FIG. 5 is a side and top exploded perspective view of the main body and slicer part of the combined juice extractor and slicer inserted in the main body and top having a rotatable center with pins for inserting into the slicer part within the main body of the juice extractor and slicer as shown in FIGS. 1 and 3.

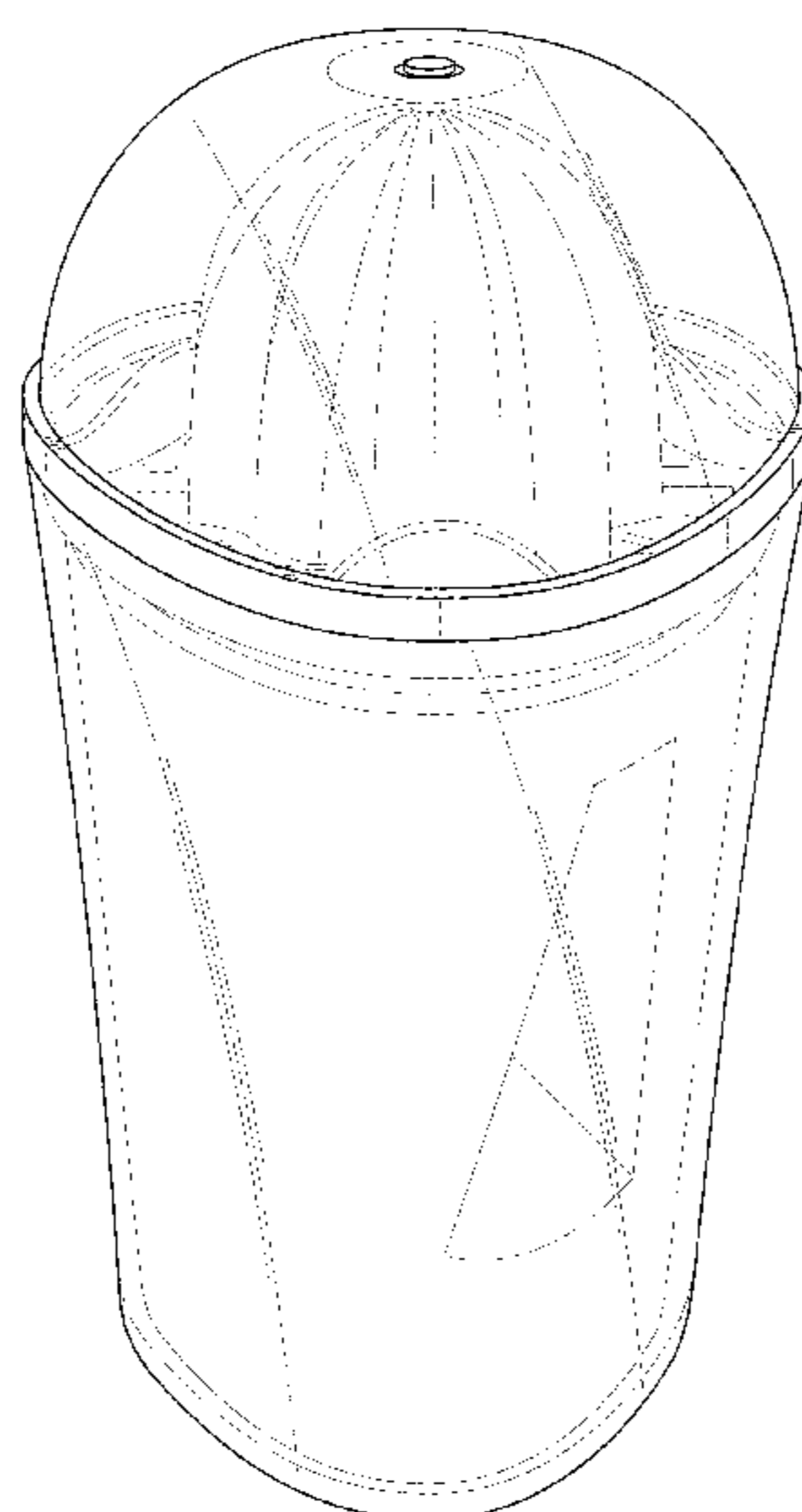
FIG. 6 is a side and top perspective view of the main body and slicer part of the combined juice extractor and slicer inserted in the main body and top with rotatable center and pins for extending into the slicer part of the juice extractor and slicer as shown in FIGS. 1 and 5 showing a bottom of the juice extractor and slicer.

FIG. 7 is a top view of the upper juicer and strainer part of the combined juice extractor and slicer shown in FIG. 1.

FIG. 8 is a side and top perspective view of an assembled combined juice extractor and slicer; and,

FIG. 9 is an opposite side and top perspective view of the combined juice extractor and slicer shown in FIG. 8.

1 Claim, 9 Drawing Sheets



(58) **Field of Classification Search**
USPC D7/669, 688; D3/210; D8/18, 39-43;
D10/46.2; D9/443
CPC .. A23N 1/00; A23N 1/003; A47J 19/02; A47J
19/06; A47J 19/022; A47J 19/30
See application file for complete search history.

(56) **References Cited**

U.S. PATENT DOCUMENTS

D150,936 S * 9/1948 Cooper D7/665
D153,645 S * 5/1949 Stiles D7/665
D227,971 S * 7/1973 Weiss 99/501
D253,083 S * 10/1979 Lam D7/665
D254,702 S * 4/1980 Tsuji D7/665
D399,101 S * 10/1998 Lillelund D7/665
D450,545 S * 11/2001 Au D7/665
D472,775 S * 4/2003 Schwamkrug D7/665
D485,474 S * 1/2004 Wong D7/665
D521,815 S * 5/2006 Fung D7/665

D567,035 S * 4/2008 Ling D7/665
D664,011 S * 7/2012 Affonso D7/665
D699,522 S * 2/2014 Wong D7/665
D747,936 S * 1/2016 Chitayat D7/510
D756,173 S * 5/2016 Decaris D7/665
D756,718 S * 5/2016 Breit D7/665
D757,501 S * 5/2016 Cotter D7/665
D761,628 S * 7/2016 Chitayat D15/90
D770,865 S * 11/2016 Shirley D7/665
2007/0272091 A1 * 11/2007 Hsien A47J 19/022
99/501

OTHER PUBLICATIONS

Wayfair. Citrus Juicer. Jun. 6, 2016 [earliest online date], [site visited Nov. 8, 2017]. Available from Internet, <URL:https://www.wayfair.co.uk/kitchenware-tableware/pdp/jata-citrus-juicer-jata1001.html>. (Year: 2016).*

* cited by examiner

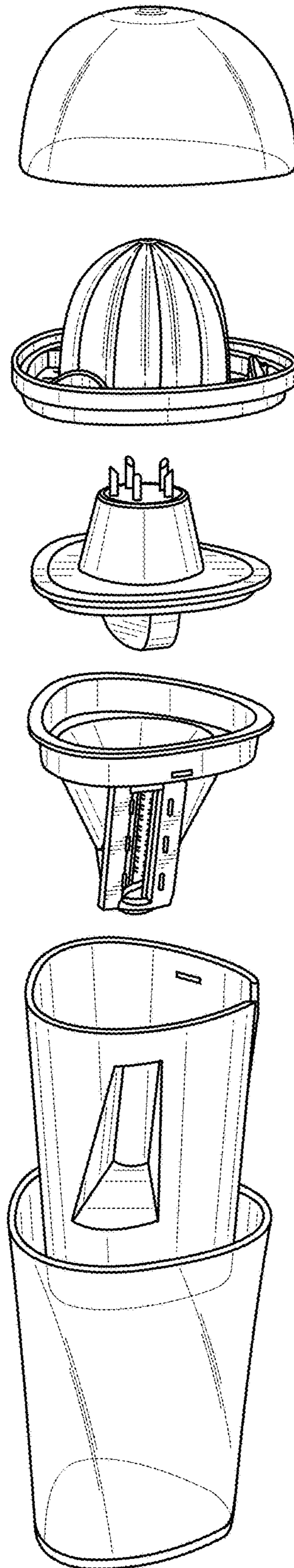


FIG. 1

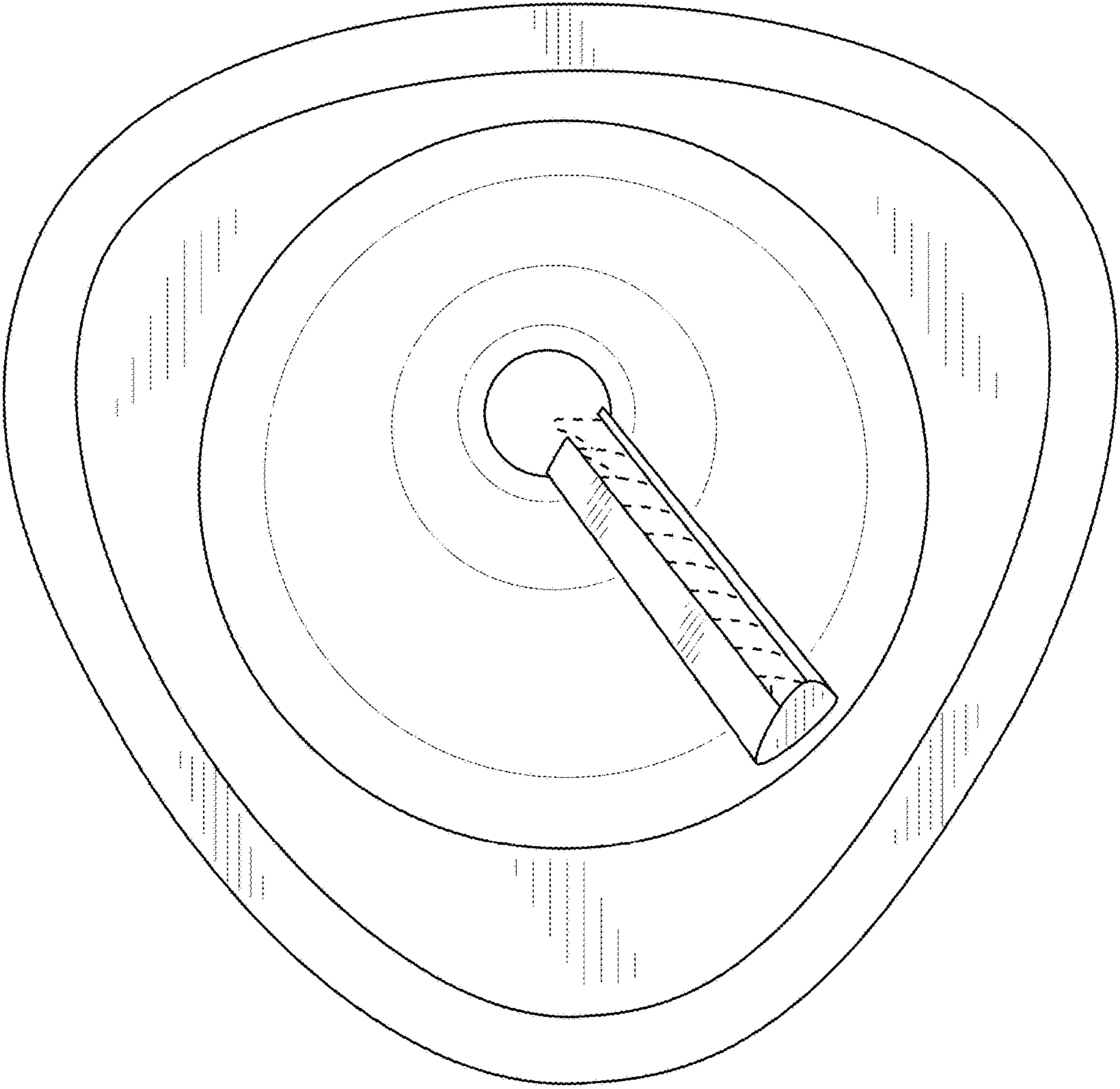


FIG. 2

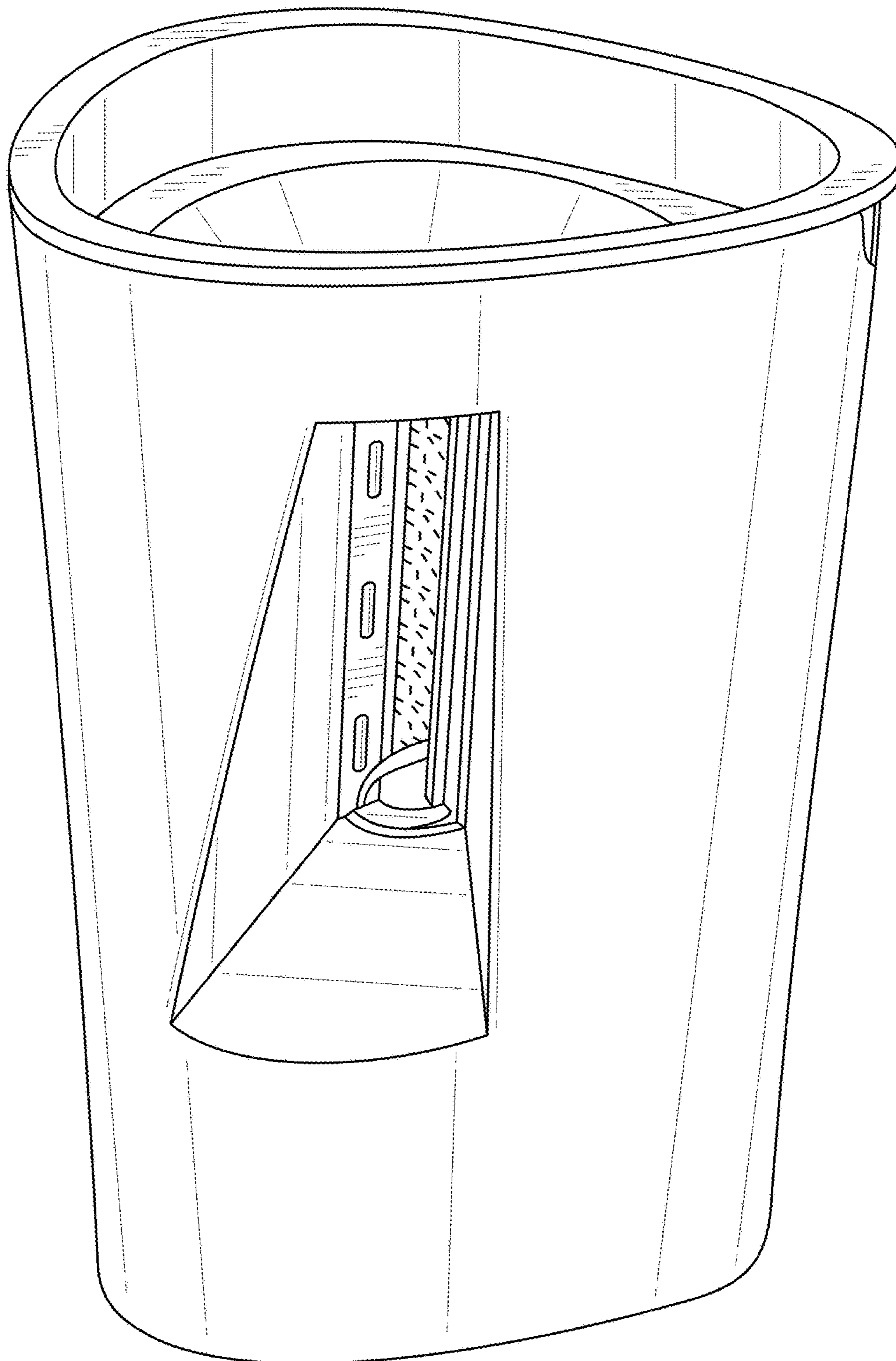


FIG. 3

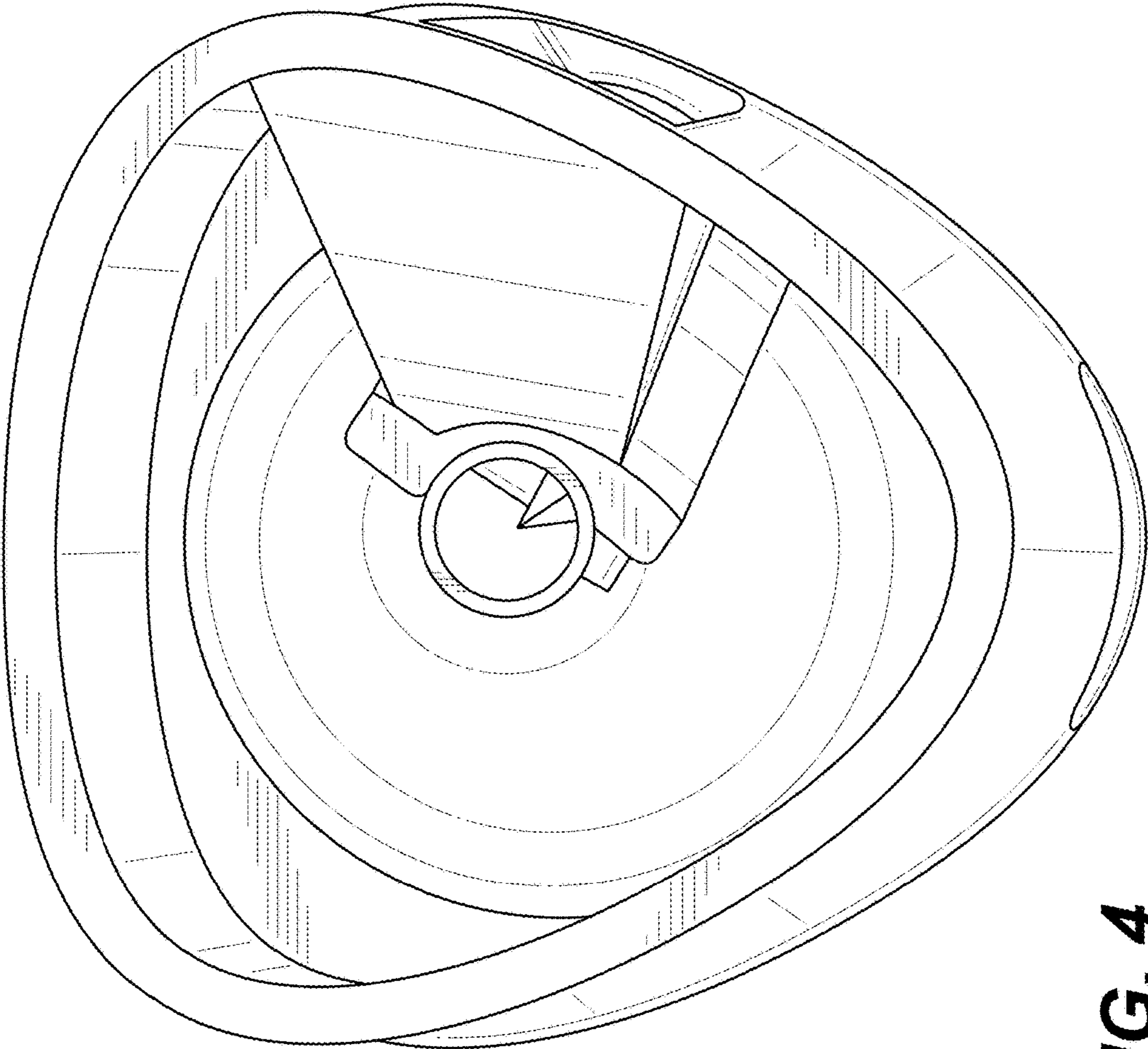


FIG. 4

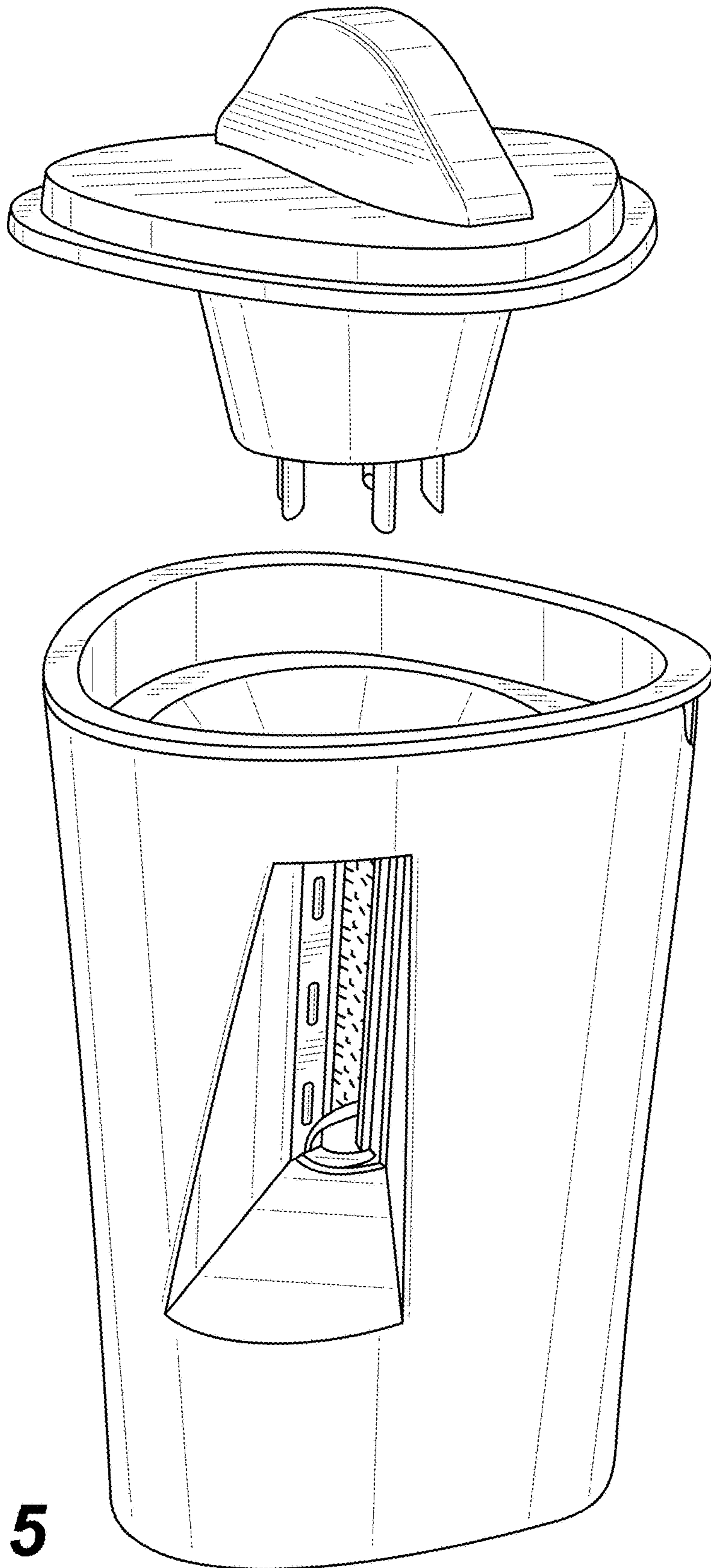


FIG. 5

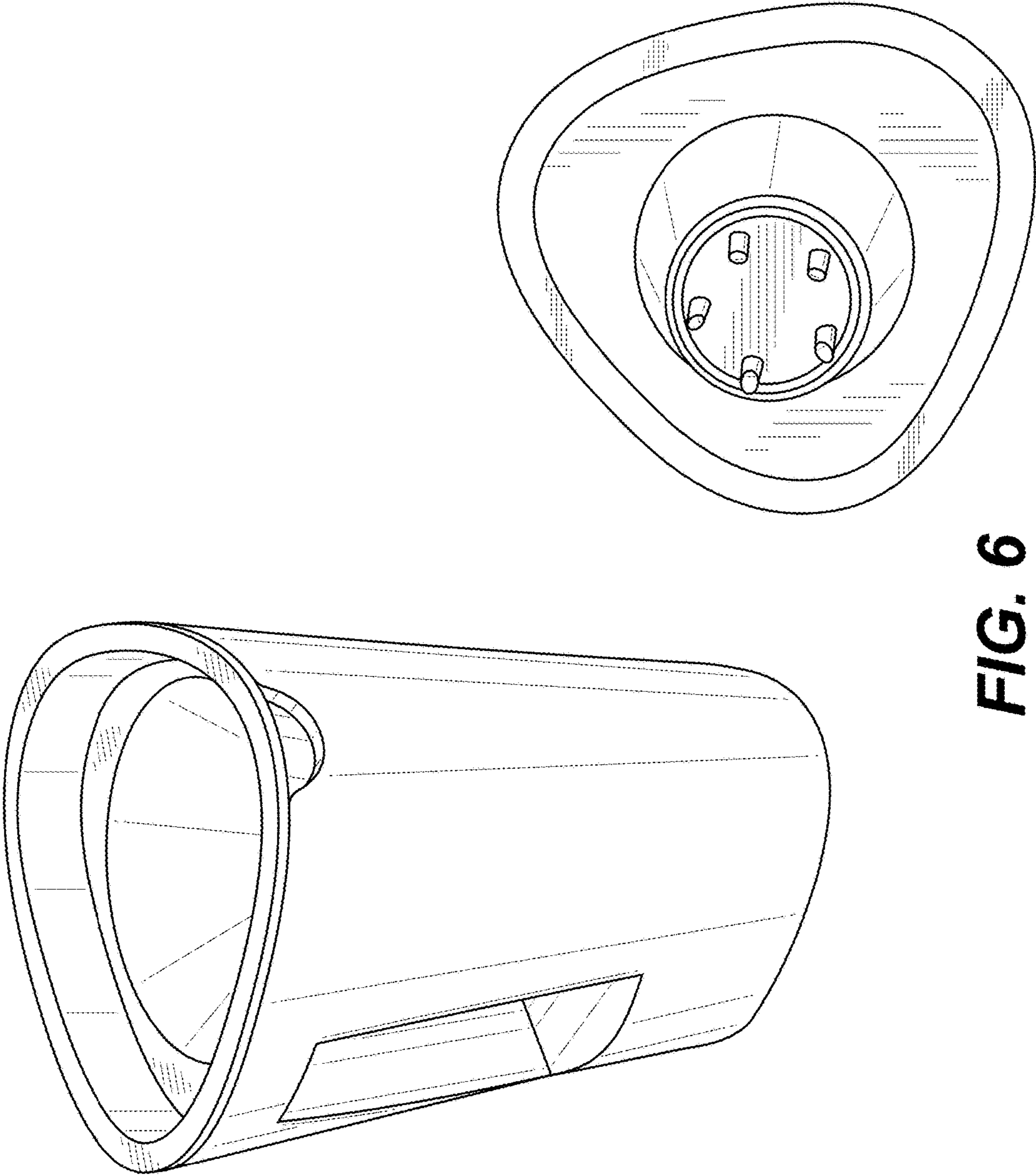


FIG. 6

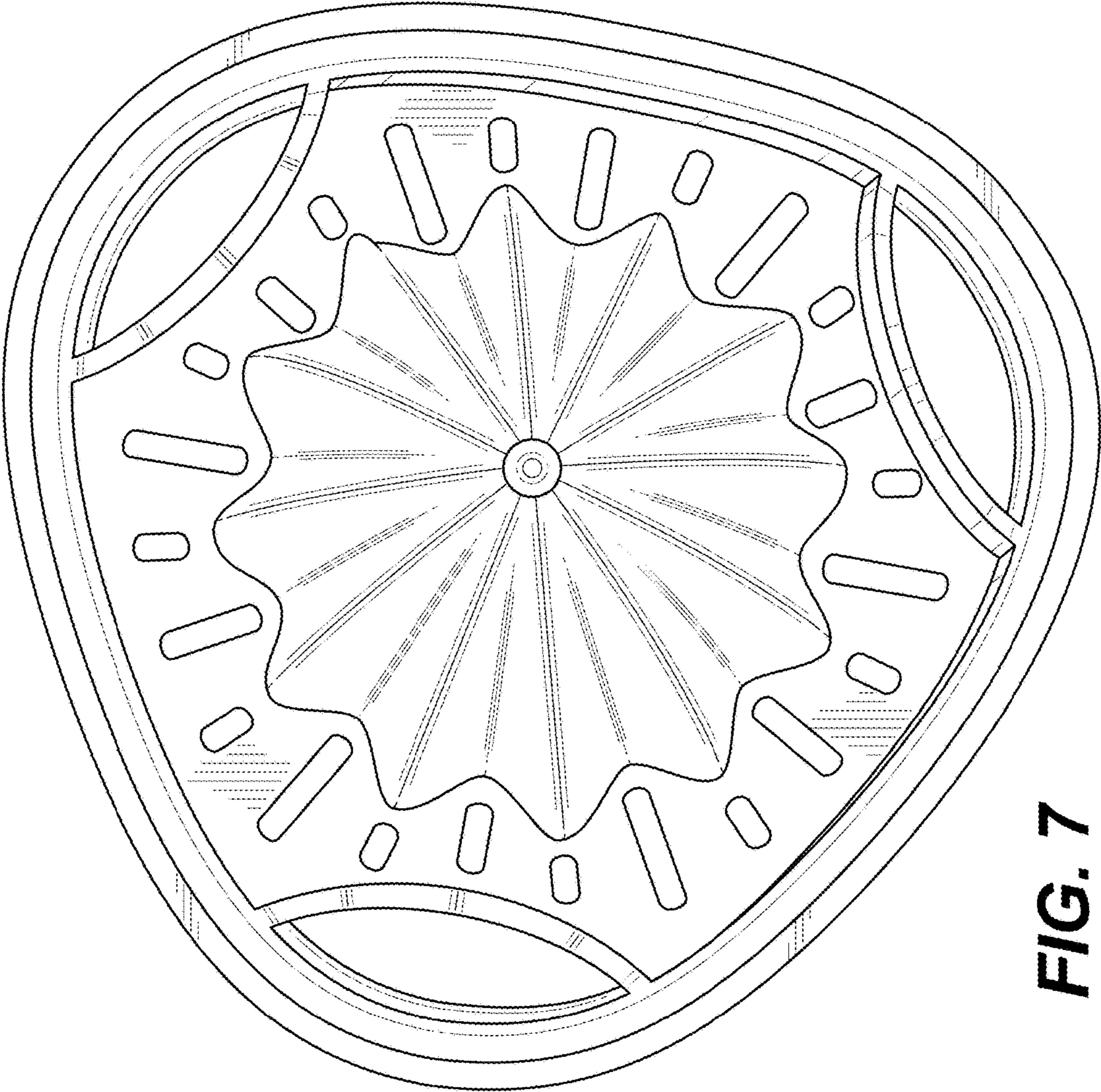


FIG. 7

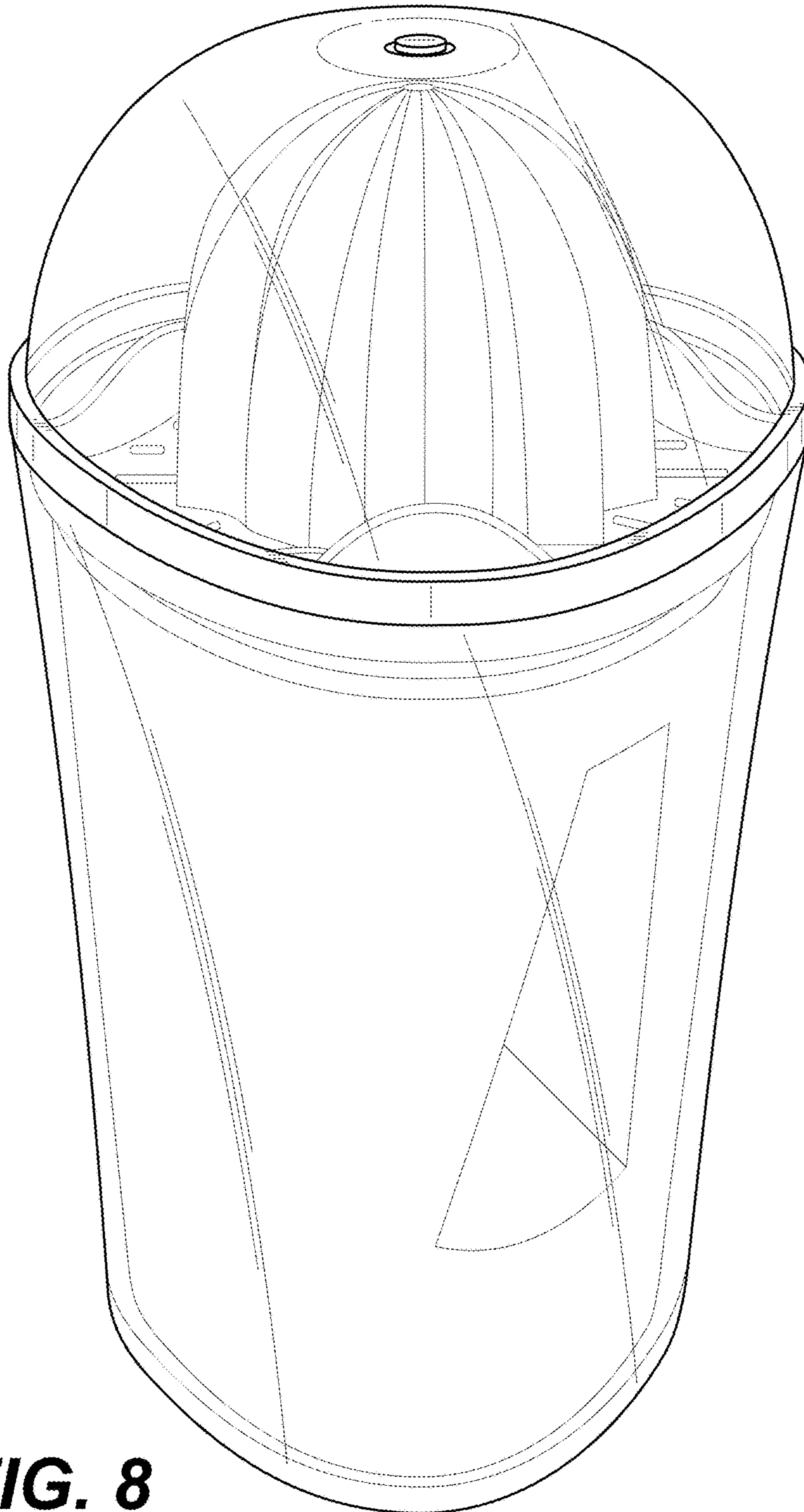


FIG. 8



FIG. 9