



US00D850218S

(12) **United States Design Patent**
Lum et al.

(10) **Patent No.:** **US D850,218 S**
(45) **Date of Patent:** **** Jun. 4, 2019**

(54) **CONTAINER**

(71) Applicant: **LDA, LLC**, Irvine, CA (US)

(72) Inventors: **Myk Lum**, Irvine, CA (US); **Ken Sugimoto**, Tustin, CA (US); **Yoon Kim**, Buena Park, CA (US)

(73) Assignee: **LDA, LLC**, Irvine, CA (US)

(**) Term: **15 Years**

(21) Appl. No.: **29/562,957**

(22) Filed: **Apr. 29, 2016**

(51) **LOC (11) Cl.** **09-07**

(52) **U.S. Cl.**
USPC **D7/629**

(58) **Field of Classification Search**
USPC D7/615, 300, 590, 591, 594, 595, 597,
D7/599, 602, 612, 613, 614, 708, 619.1,
(Continued)

(56) **References Cited**

U.S. PATENT DOCUMENTS

2,780,385 A * 2/1957 Tupper A47J 47/02
220/797
3,394,861 A * 7/1968 Truax B65D 25/04
220/256.1

(Continued)

Primary Examiner — Shannon W Morgan

(74) *Attorney, Agent, or Firm* — Stetina Brunda Garred & Brucker

(57) **CLAIM**

The ornamental design for a container, as shown and described.

DESCRIPTION

FIG. 1 is a top perspective view showing a first embodiment of a container showing the new design;

FIG. 2 is a front view thereof;
FIG. 3 is a right side view thereof;
FIG. 4 is a rear view thereof;
FIG. 5 is an enlarged top plan view thereof;
FIG. 6 is a bottom view thereof;
FIG. 7 is an enlarged top perspective view showing a second embodiment of a container showing the new design;
FIG. 8 is a right side view thereof;
FIG. 9 is a front view thereof;
FIG. 10 is a left side view thereof;
FIG. 11 is an enlarged top plan view thereof;
FIG. 12 is a bottom view thereof;
FIG. 13 is a top perspective view showing a third embodiment of a container showing the new design;
FIG. 14 is a front view thereof;
FIG. 15 is a right side view thereof;
FIG. 16 is a left side view thereof;
FIG. 17 is an enlarged top plan view thereof;
FIG. 18 is a bottom view thereof;
FIG. 19 is a top perspective view showing a fourth embodiment of a container showing the new design;
FIG. 20 is a front view thereof;
FIG. 21 is a right side view thereof;
FIG. 22 is a left side view thereof;
FIG. 23 is an enlarged top plan view thereof;
FIG. 24 is a bottom view thereof;
FIG. 25 is a top perspective view showing a fifth embodiment of a container showing the new design;
FIG. 26 is an enlarged top plan view thereof;
FIG. 27 is a front side view thereof;
FIG. 28 is a right side view thereof;
FIG. 29 is a bottom view thereof;
FIG. 30 is a left side view thereof;
FIG. 31 is a top perspective view showing a sixth embodiment of a container showing the new design;
FIG. 32 is a front view thereof;
FIG. 33 is a left side view thereof;
FIG. 34 is a right side view thereof;
FIG. 35 is an enlarged top plan view thereof;
FIG. 36 is a bottom view thereof;
FIG. 37 is an enlarged top perspective view showing a seventh embodiment of a container showing the new design;
FIG. 38 is a right side view thereof;

(Continued)

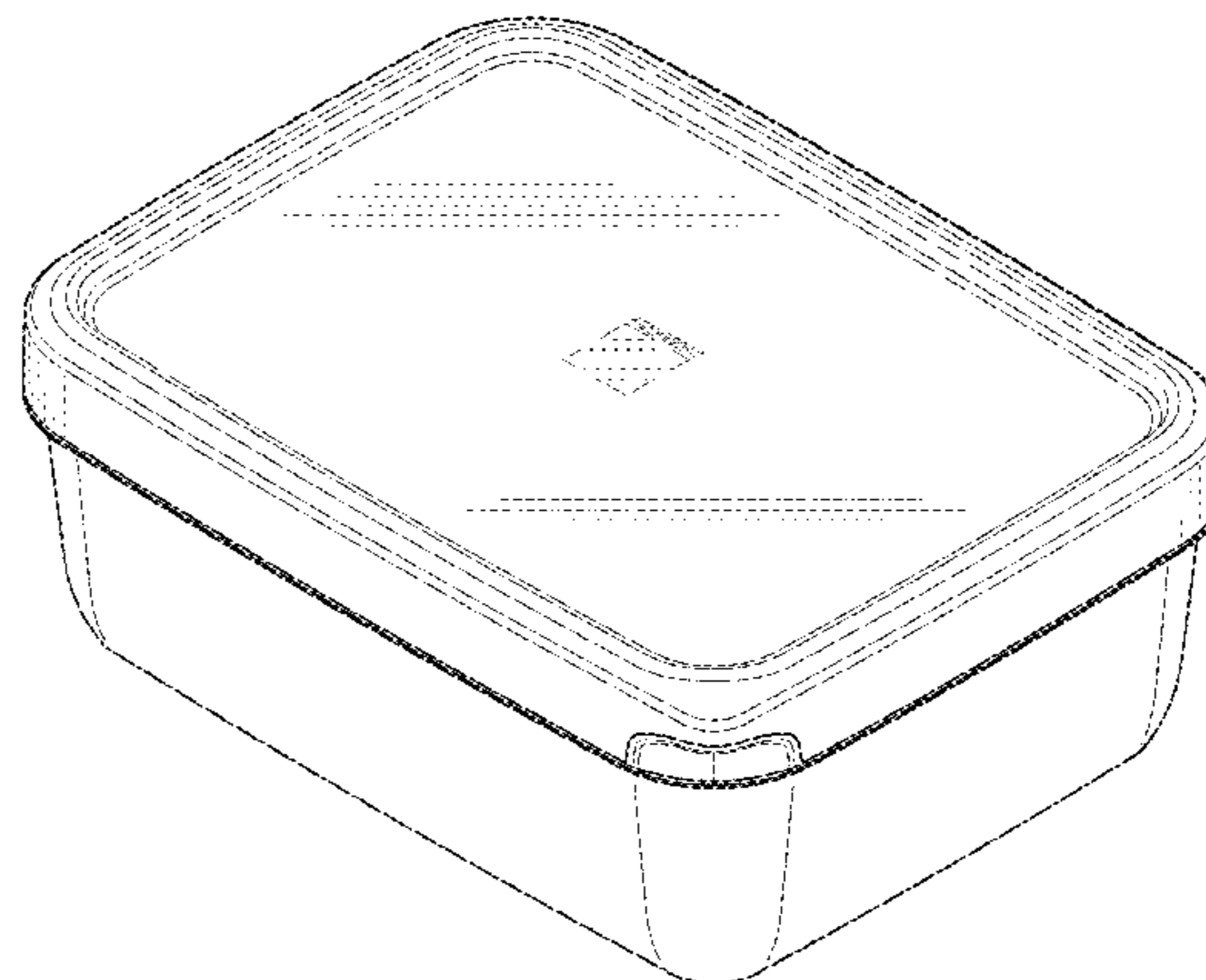
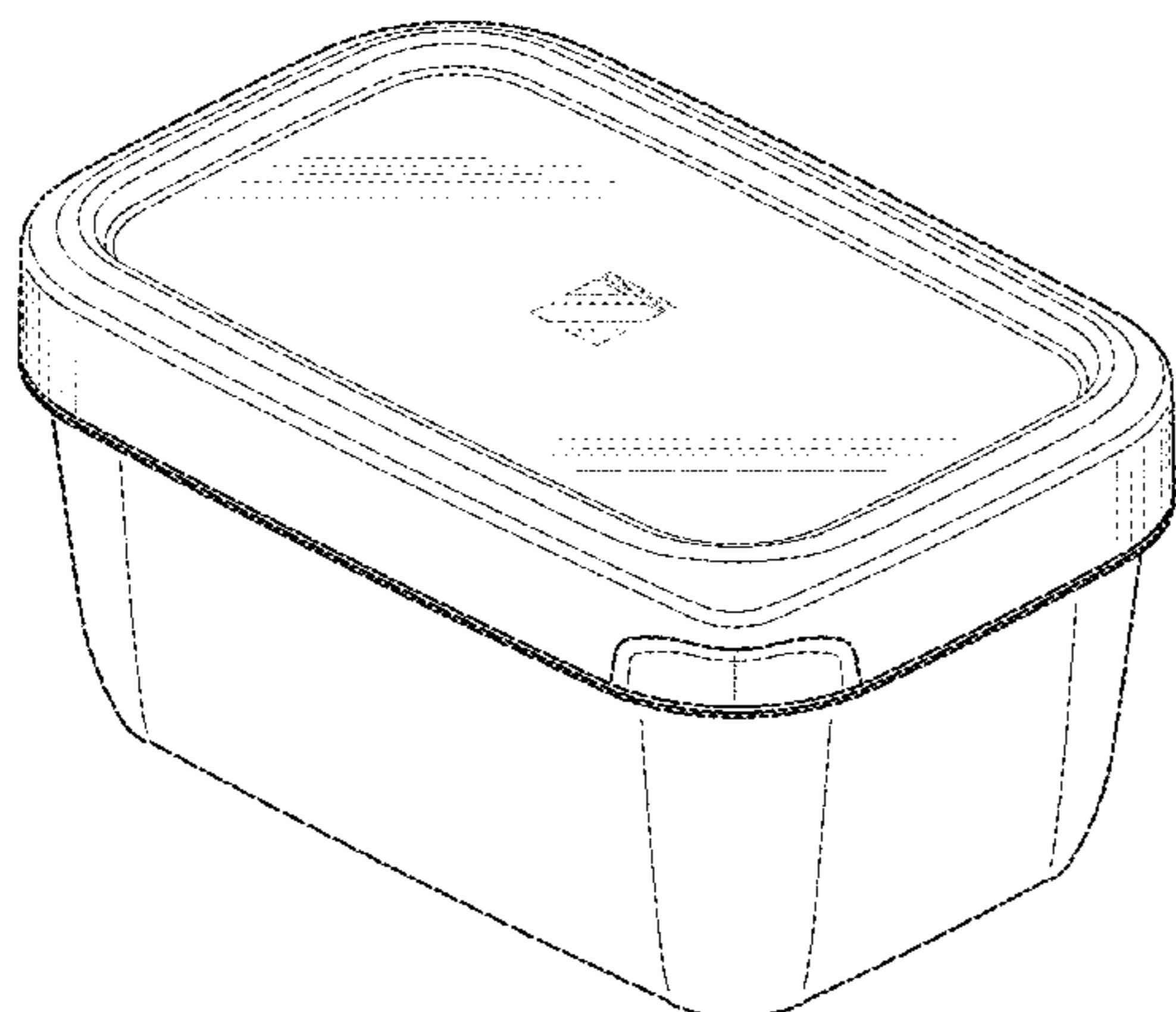


FIG. 39 is a front view thereof;
 FIG. 40 is a left side view thereof;
 FIG. 41 is an enlarged top plan view thereof;
 FIG. 42 is a bottom view thereof;
 FIG. 43 is a top perspective view showing an eighth embodiment of a container showing the new design;
 FIG. 44 is a right side view thereof;
 FIG. 45 is a front view thereof;
 FIG. 46 is a left side view thereof;
 FIG. 47 is an enlarged top plan view thereof;
 FIG. 48 is a bottom view thereof;
 FIG. 49 is a top perspective view showing a ninth embodiment of a container showing the new design;
 FIG. 50 is a right side view thereof;
 FIG. 51 is a front view thereof;
 FIG. 52 is a left side view thereof;
 FIG. 53 is an enlarged top plan view thereof;
 FIG. 54 is a bottom view thereof;
 FIG. 55 is a top perspective view showing a tenth embodiment of a container showing the new design;
 FIG. 56 is a right side view thereof;
 FIG. 57 is a front view thereof;
 FIG. 58 is a left side view thereof;
 FIG. 59 is an enlarged top plan view thereof; and,
 FIG. 60 is a bottom view thereof.
 The broken lines shown in the figures depict portions of the container that form no part of the claimed design.

1 Claim, 44 Drawing Sheets

(58) **Field of Classification Search**

USPC .. D7/619.2, 641, 300.1, 301, 302, 589, 603, D7/604, 605, 606, 608, 701, 702, 703, D7/707, 622, 623, 710, 628, 629, 630; D9/600, 601, 643, 644, 645, 646, 647, D9/648, 655, 659, 661, 738, 761, 767, D9/772, 773, 500, 516, 537, 538, 539, D9/540, 541, 542, 543, 545, 549, 550, D9/558, 559, 563, 567, 573, 574, 575, D9/552, 554, 565
 CPC A47G 19/20; A47G 19/12; B65D 1/00; B65D 1/02; B65D 1/10; B65D 1/12; B65D 1/0223; B65D 1/06; B65D 1/14; B65D 1/16; B65D 1/26; B65D 3/00; B65D 3/02; B65D 3/04; B65D 7/00; B65D 7/02; B65D 7/04; B65D 9/02; B65D 11/00; B65D 11/02; B65D 13/00; B65D 15/00; B65D 15/02; B65D 17/00;

B65D 17/02; B65D 23/00; B65D 39/00; B65D 77/00

See application file for complete search history.

(56)

References Cited

U.S. PATENT DOCUMENTS

3,556,339	A *	1/1971	Evald	B65D 43/021 220/787
D235,406	S *	6/1975	Daenen	D7/629
D241,599	S *	9/1976	Croyle et al.	D7/629
D246,439	S *	11/1977	Lynn	D9/425
D269,361	S *	6/1983	Marschak	D3/302
D271,555	S *	11/1983	Daenen	D7/316
D276,400	S *	11/1984	Daenen	D7/614
D278,675	S *	5/1985	Tardif	D7/629
D279,253	S *	6/1985	Daenen	D7/602
D284,254	S *	6/1986	Carlson	D3/302
4,819,824	A *	4/1989	Longbottom	B65D 43/0206 220/266
D330,311	S *	10/1992	Narsutis	D7/629
D330,312	S *	10/1992	Narsutis	D7/629
D334,114	S *	3/1993	Narsutis	D7/629
D351,090	S *	10/1994	Narsutis	D7/629
D363,663	S *	10/1995	Plater	D9/425
D398,844	S *	9/1998	Oberloier	
5,862,935	A *	1/1999	Dubois	B65D 1/46 220/281
D431,464	S *	10/2000	Collins	D9/424
D472,773	S *	4/2003	Samartgis	D7/629
D496,560	S *	9/2004	Lerner	D7/629
D518,958	S *	4/2006	Yourist	D3/302
D541,598	S *	5/2007	Kim	D7/629
D601,387	S *	10/2009	Carlson	D7/602
D601,388	S *	10/2009	Carlson	D7/602
D611,807	S *	3/2010	Miga, Jr.	D9/424
D618,516	S *	6/2010	DiPietro	D7/629
D630,900	S *	1/2011	Samartgis	D7/602
D644,888	S *	9/2011	Samartgis	D7/602
D649,409	S *	11/2011	Segal	D7/629
D656,367	S *	3/2012	Segal	D7/629
D660,095	S *	5/2012	Kyung	D7/629
D700,483	S *	3/2014	Yessin	D7/629
D703,493	S *	4/2014	de Ste. Croix	D7/629
D708,018	S *	7/2014	Carlson	D7/602
D712,703	S *	9/2014	Lipinski	D7/602
D717,119	S *	11/2014	Carlson	D7/602
D718,983	S *	12/2014	Yessin	D7/629
D732,385	S *	6/2015	Bouveret	D9/425
D741,167	S *	10/2015	Bouveret	D9/425
D751,349	S *	3/2016	Carlson	D7/629
D753,446	S *	4/2016	Hwang	D7/629
2008/0029527	A1 *	2/2008	Woinarski	B65D 43/0256 220/782
2013/0306636	A1 *	11/2013	Wulf	B65D 43/0212 220/259.1

* cited by examiner

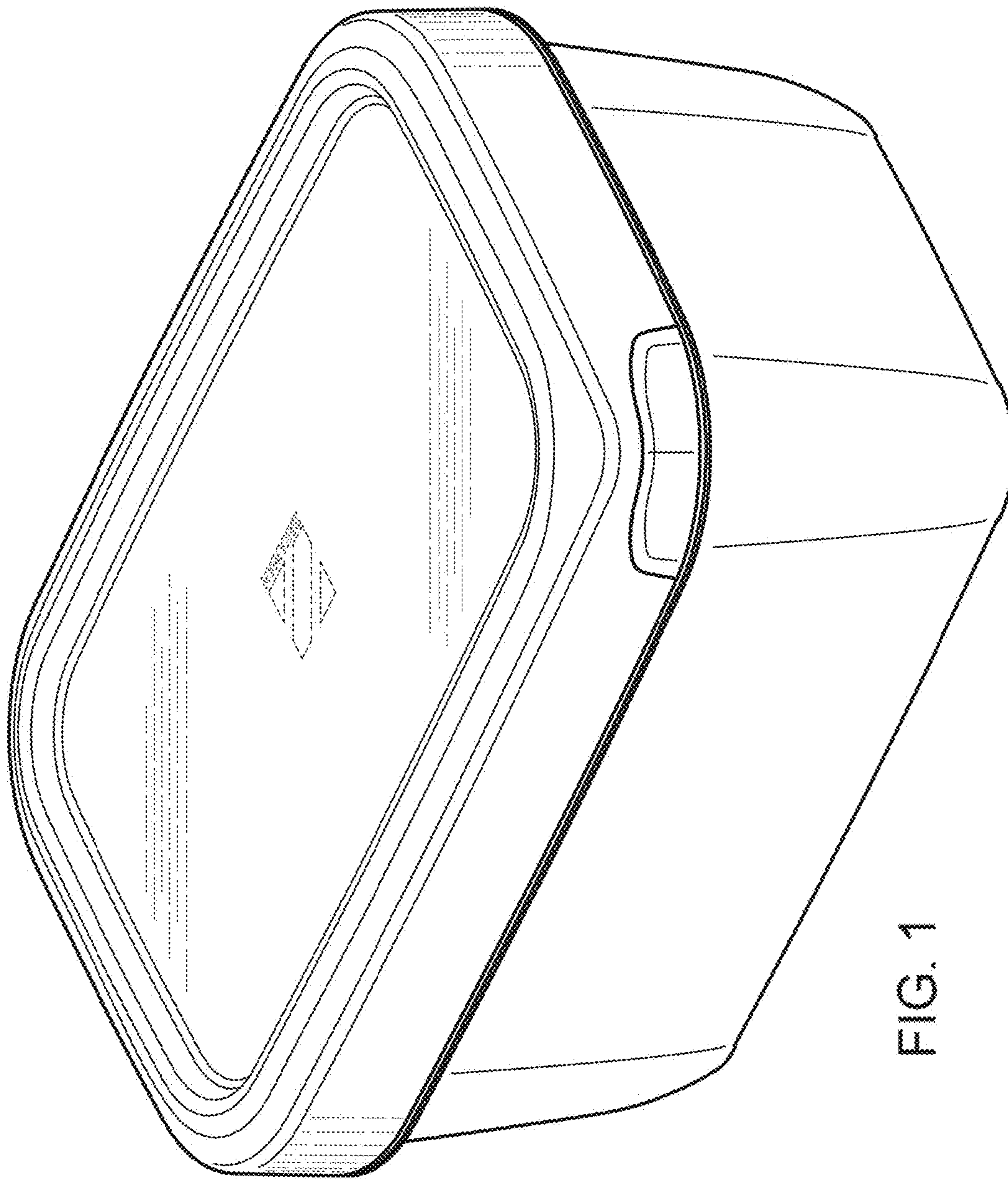


FIG. 1

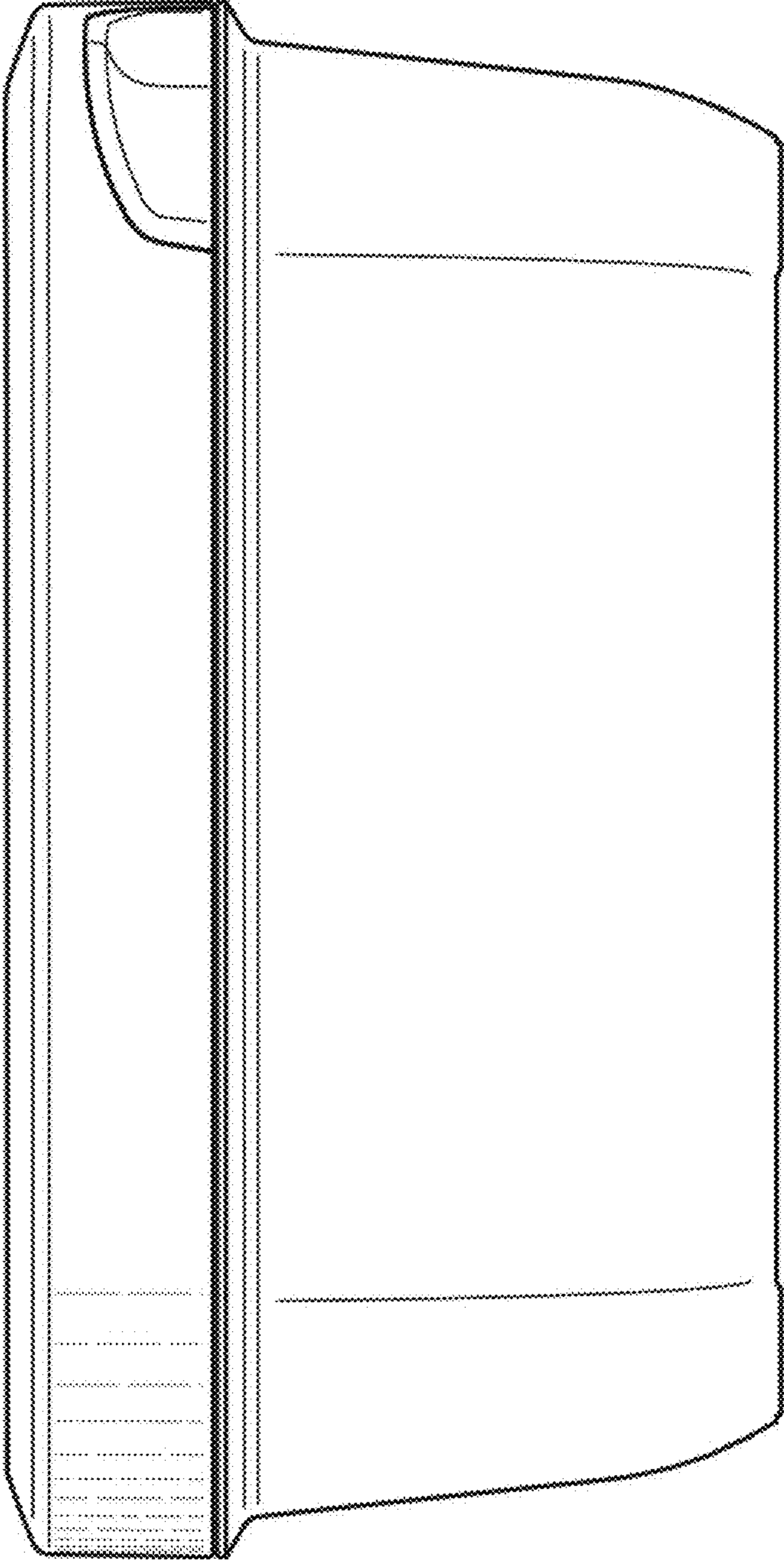


FIG. 2

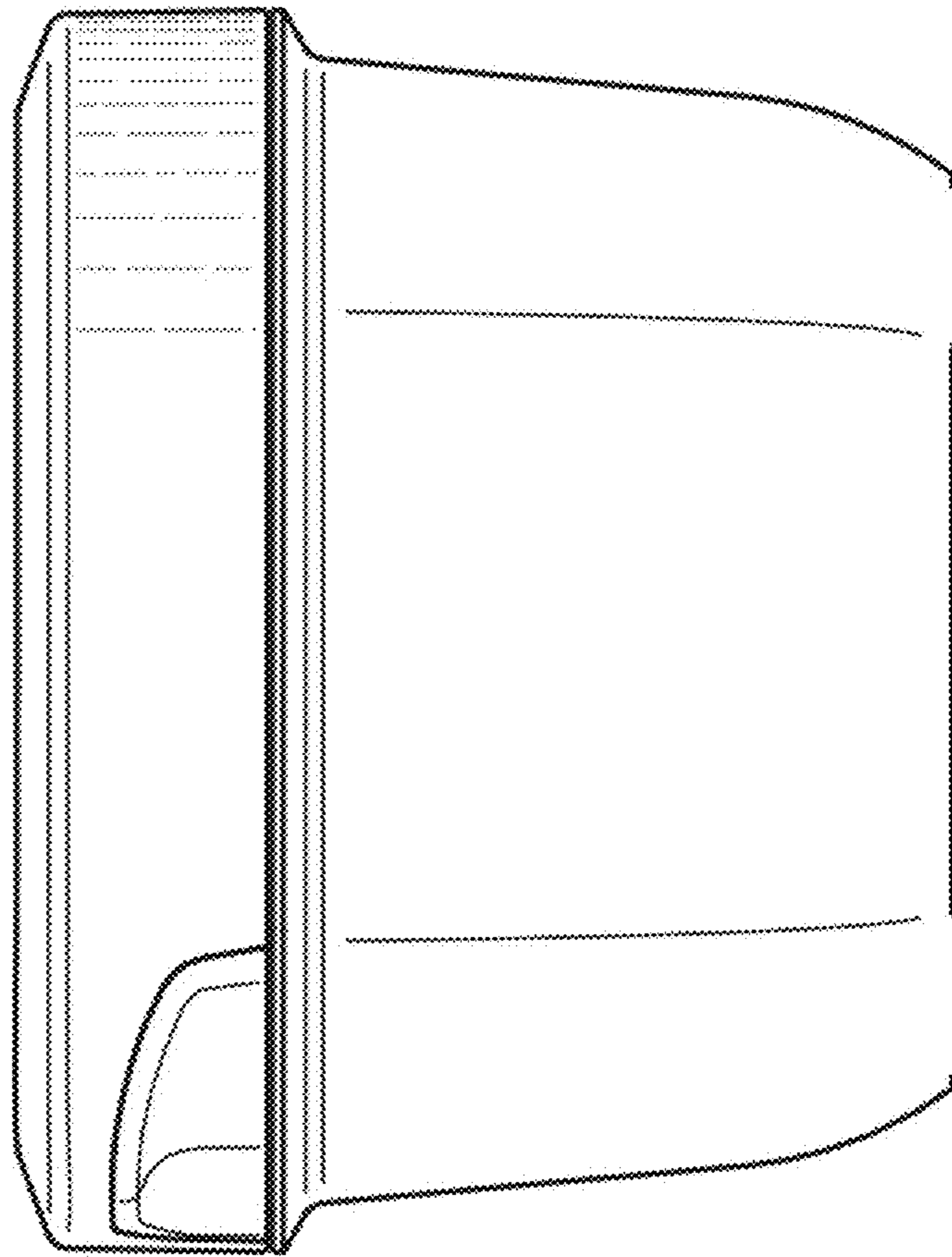


FIG. 3

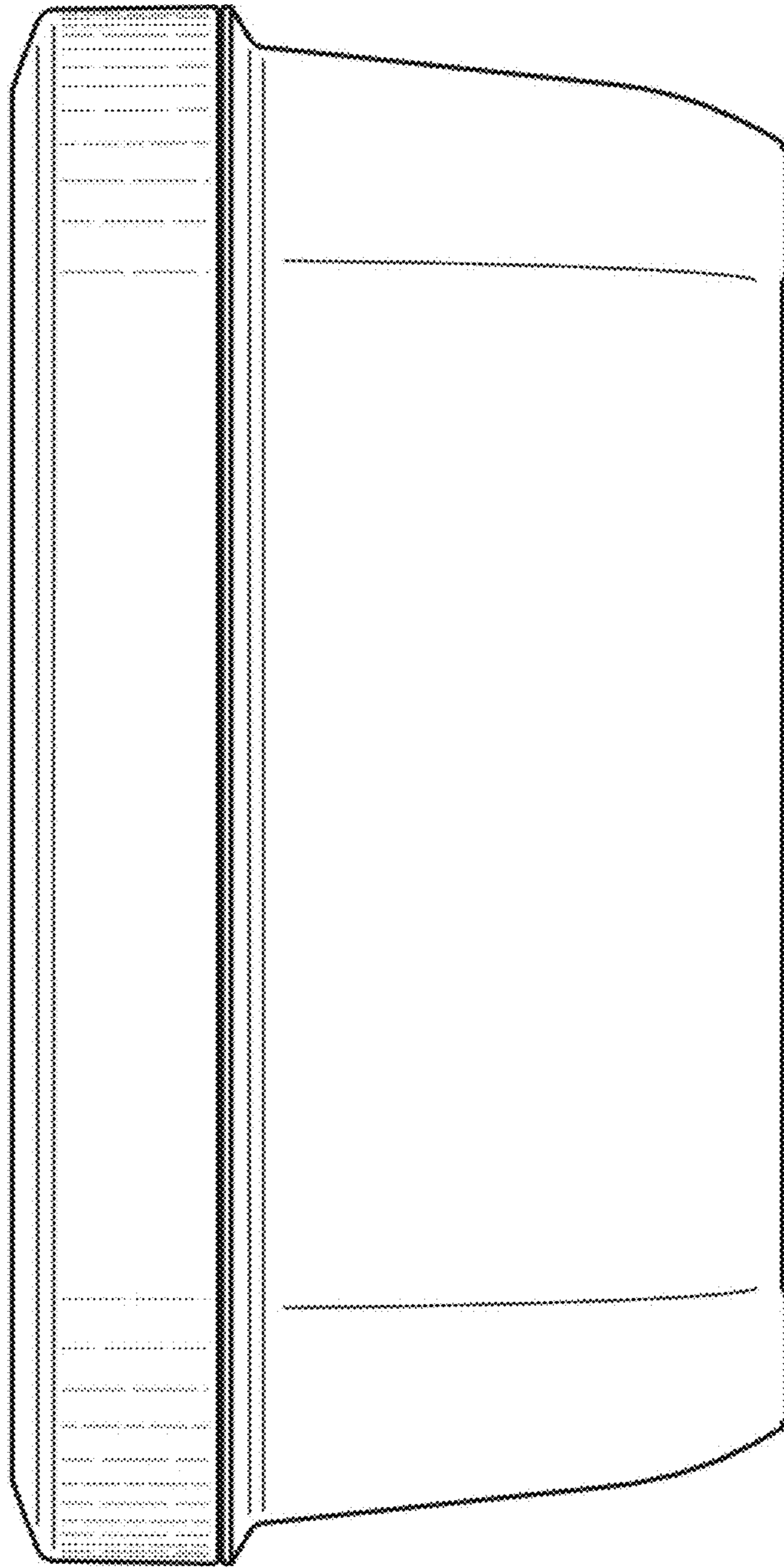


FIG.4

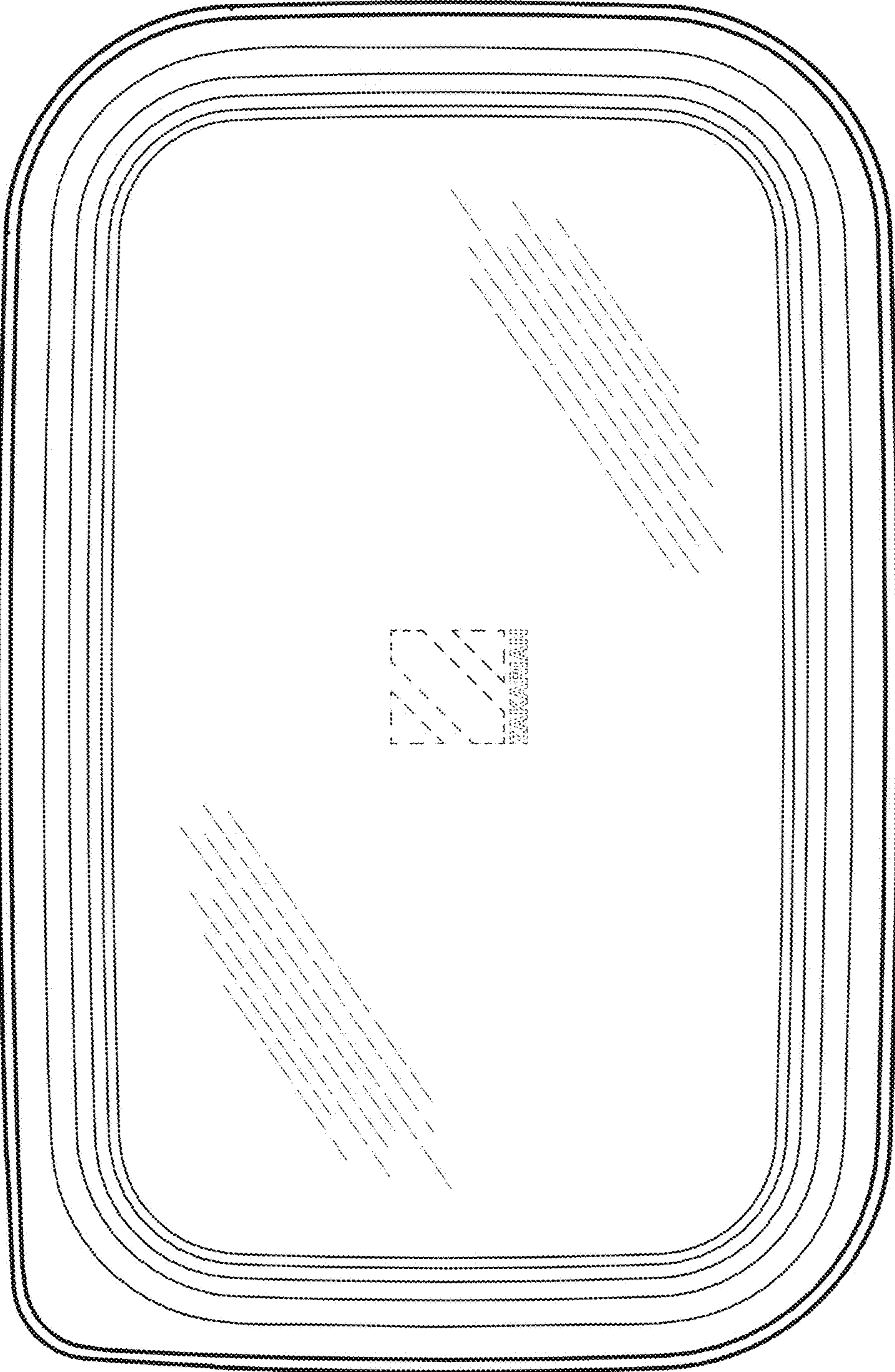


FIG.5

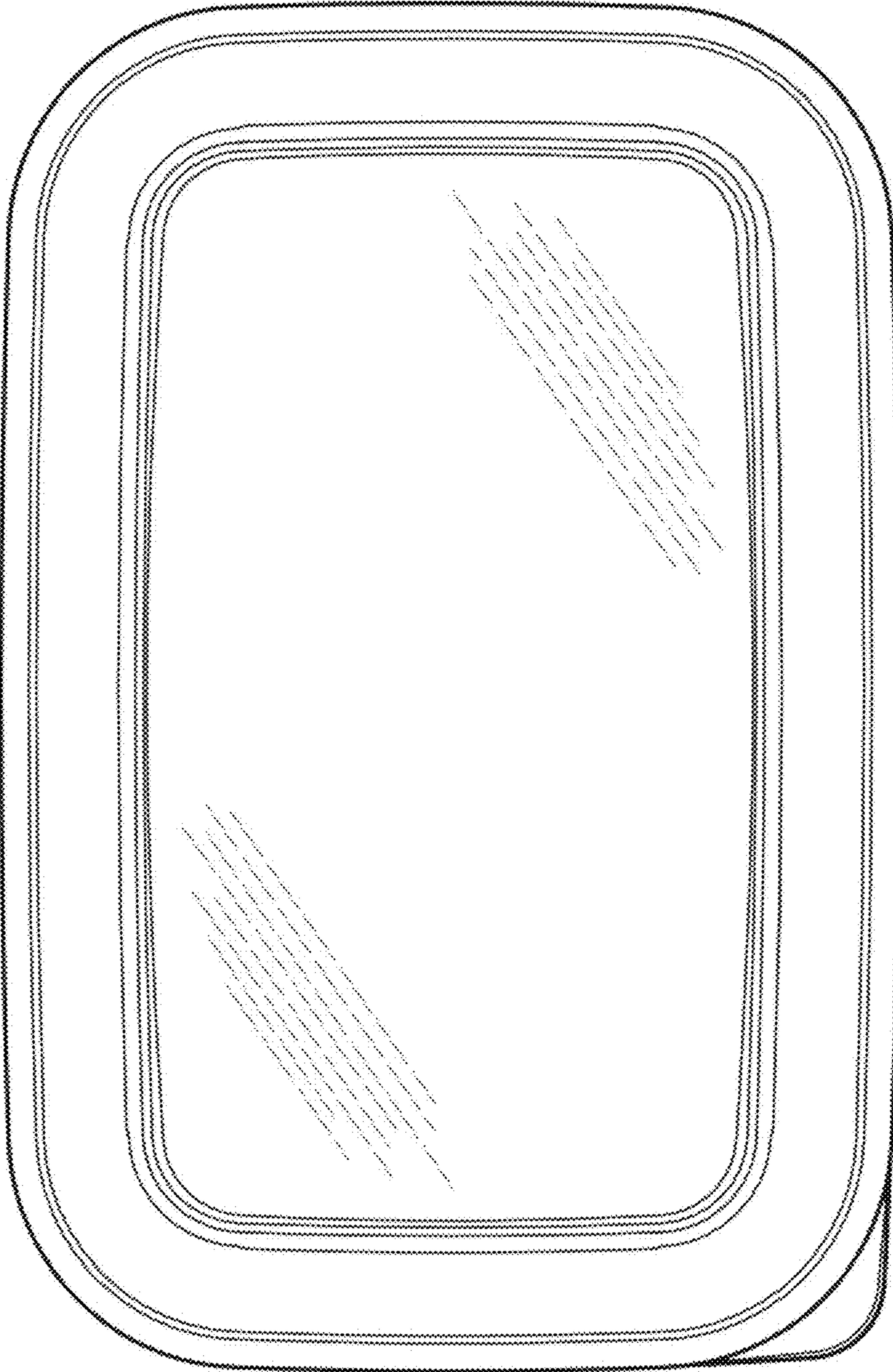


FIG.6

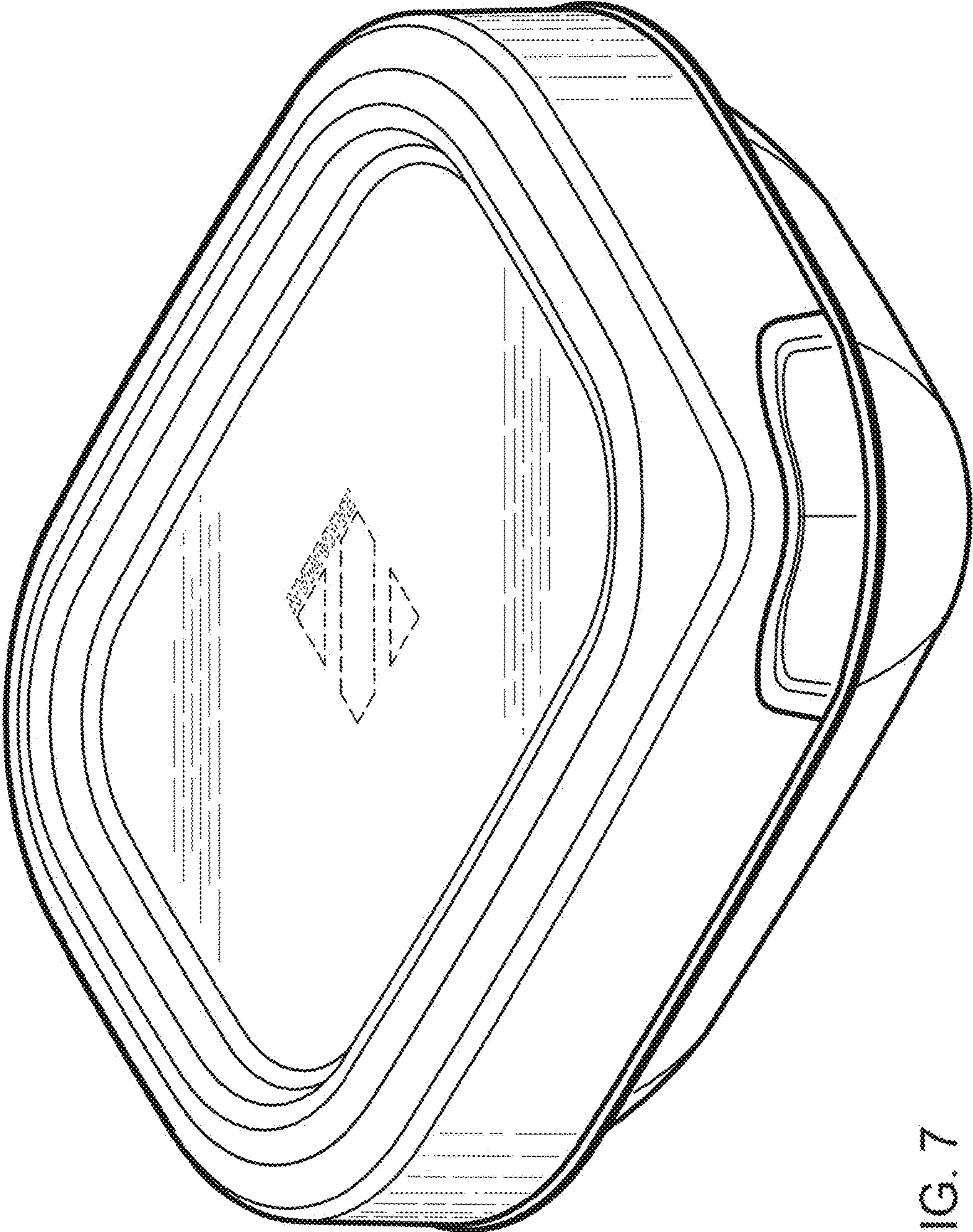


FIG. 7

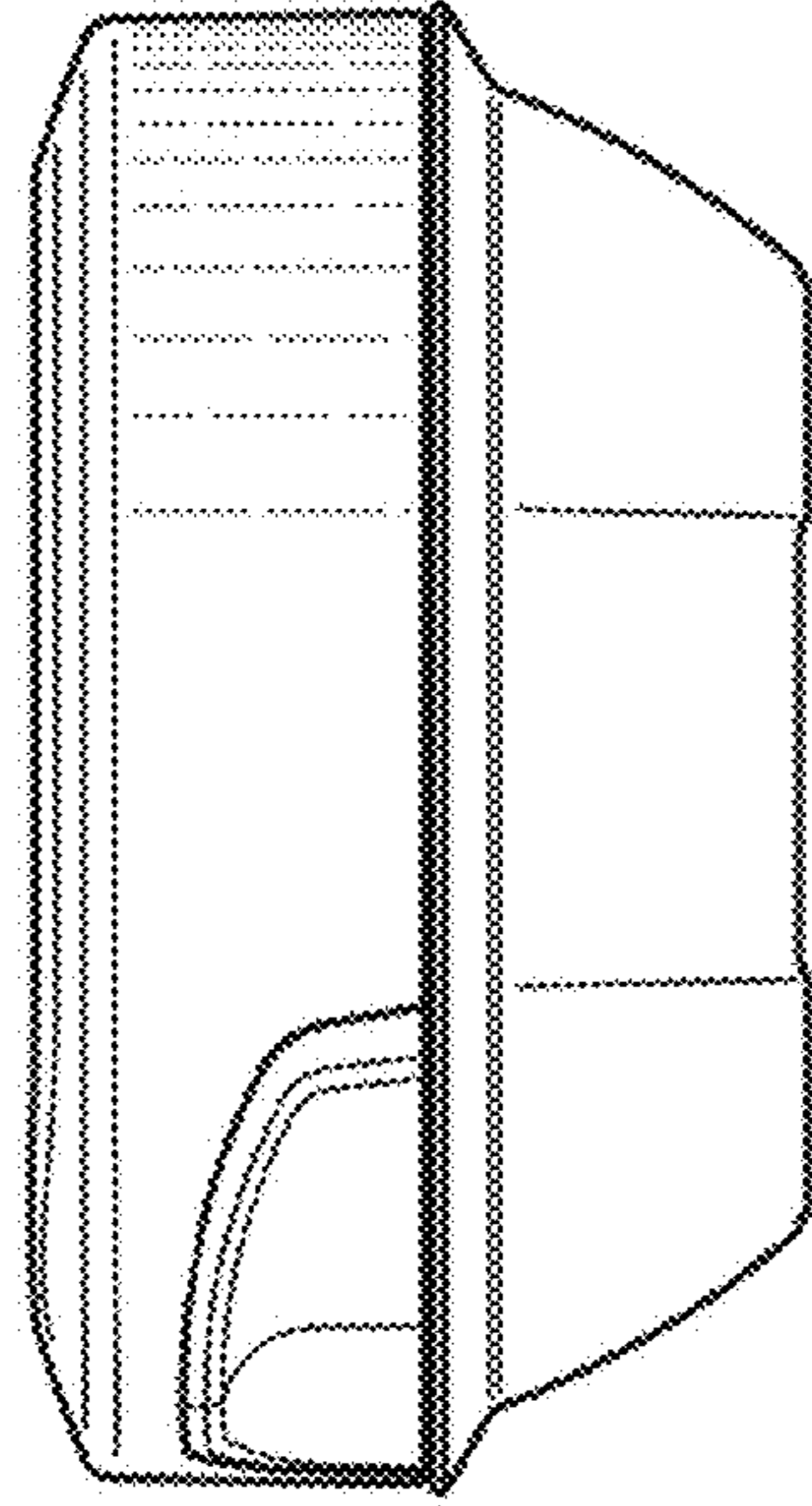


FIG. 8

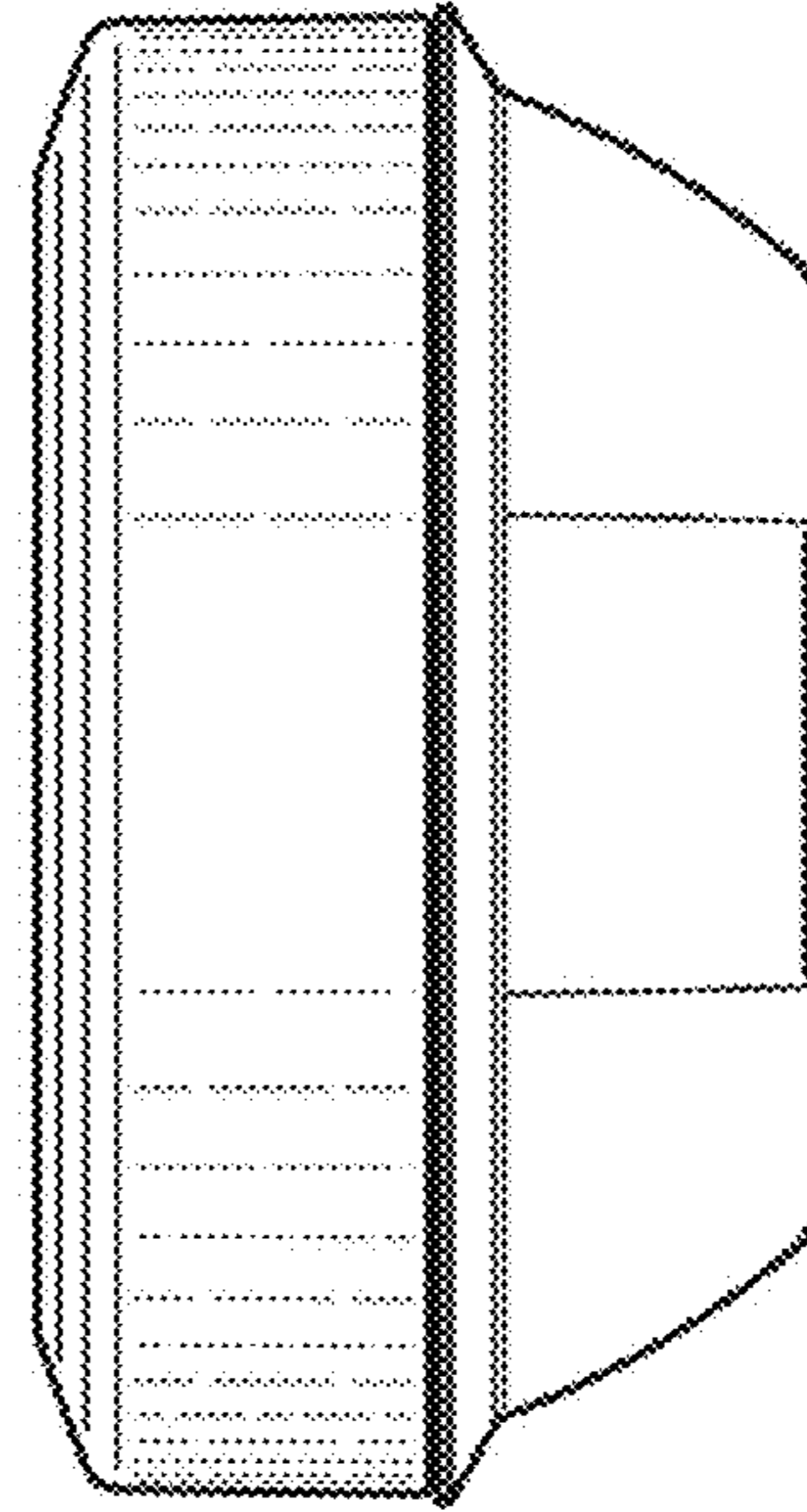


FIG. 10

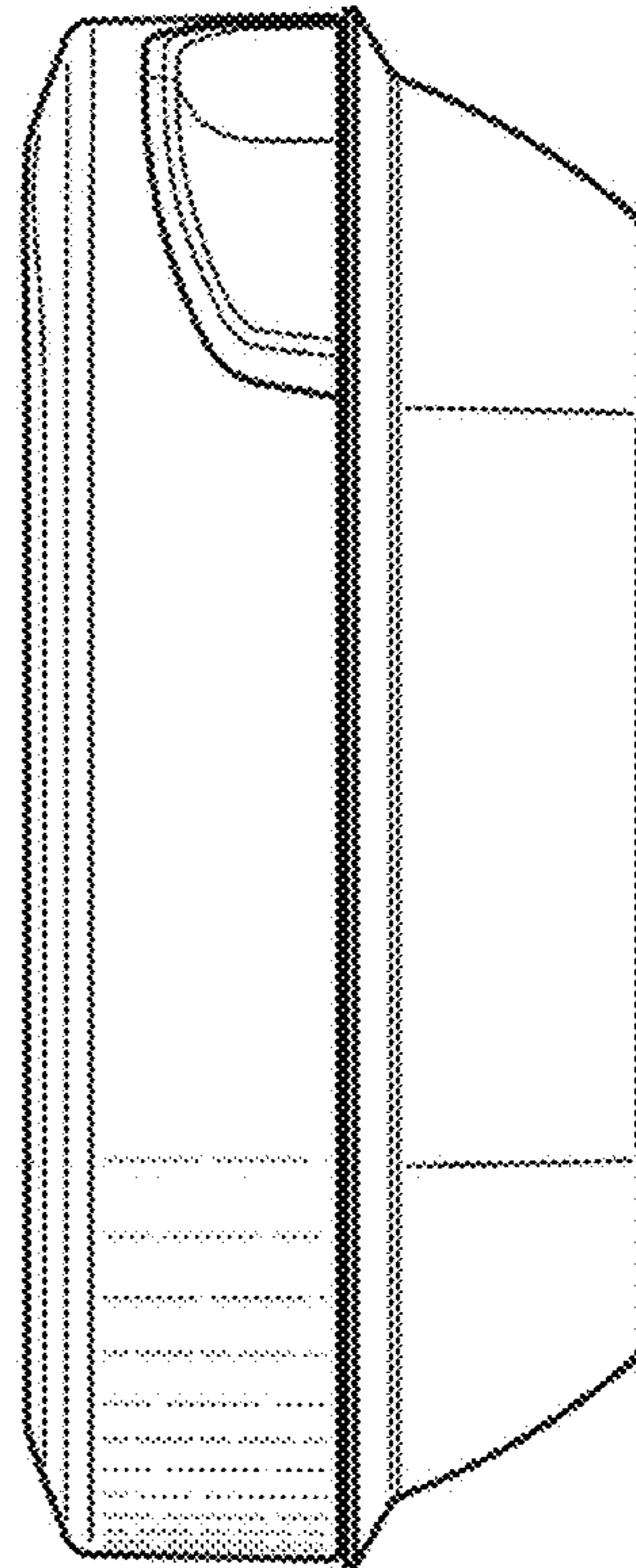


FIG. 9

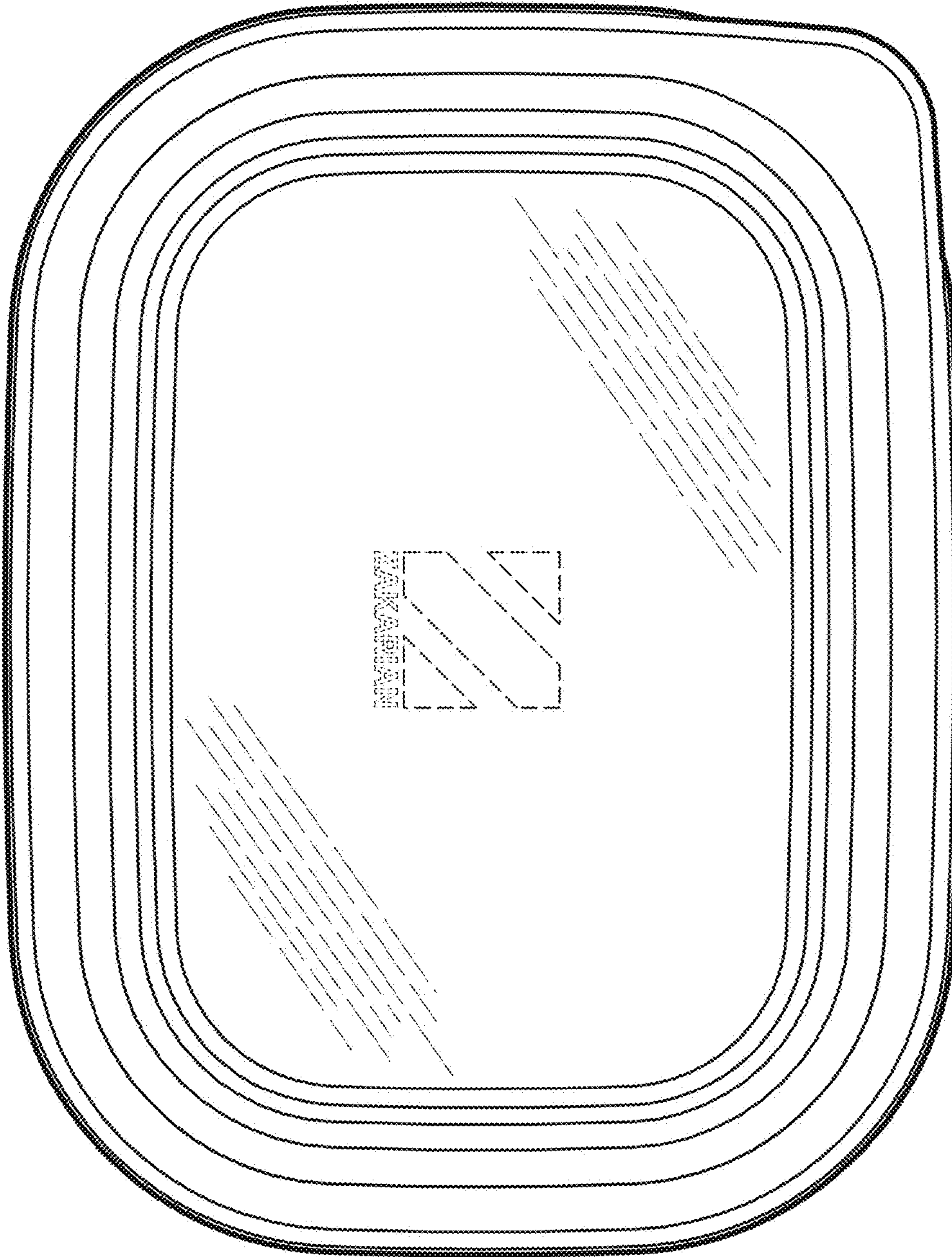


FIG. 11

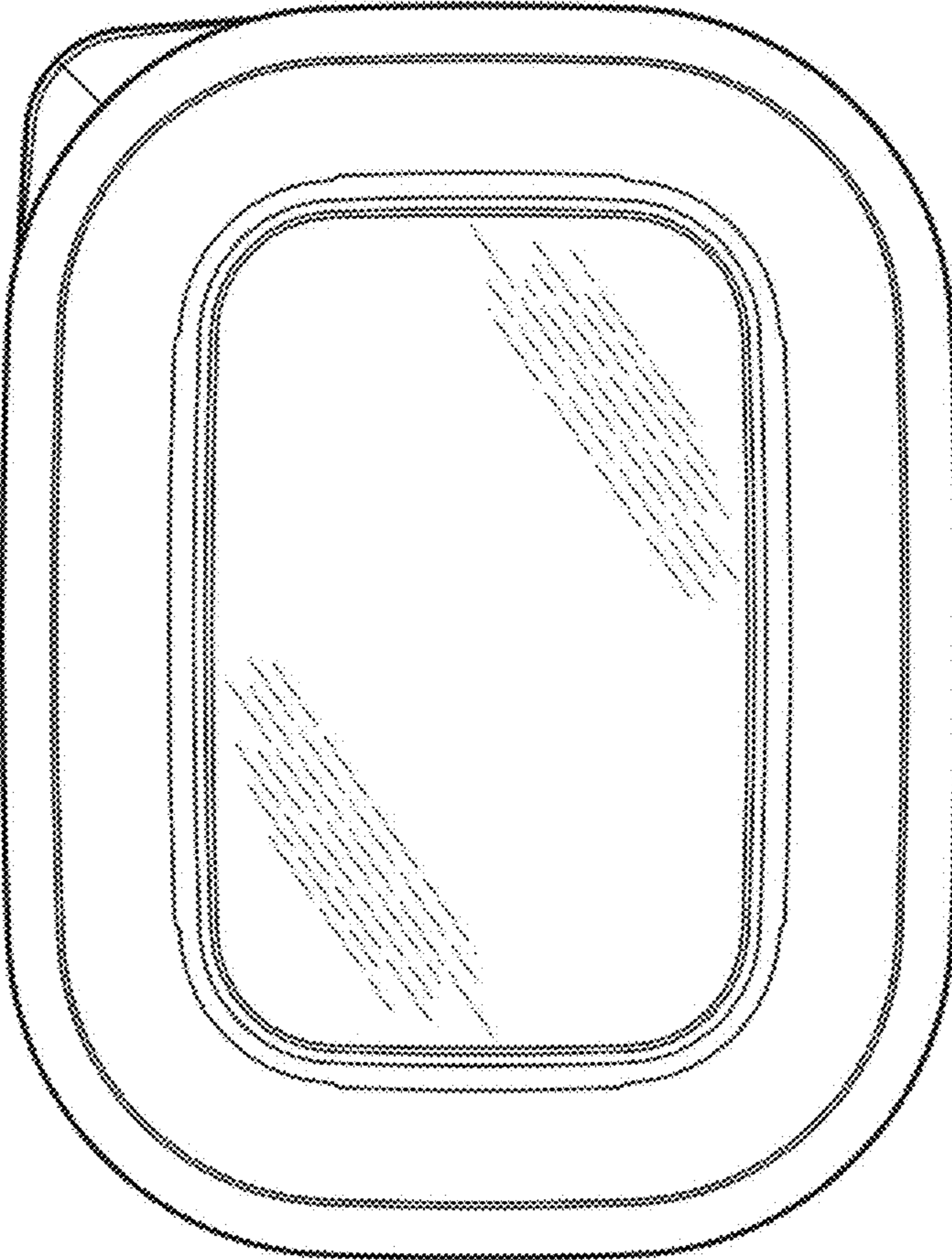


FIG. 12

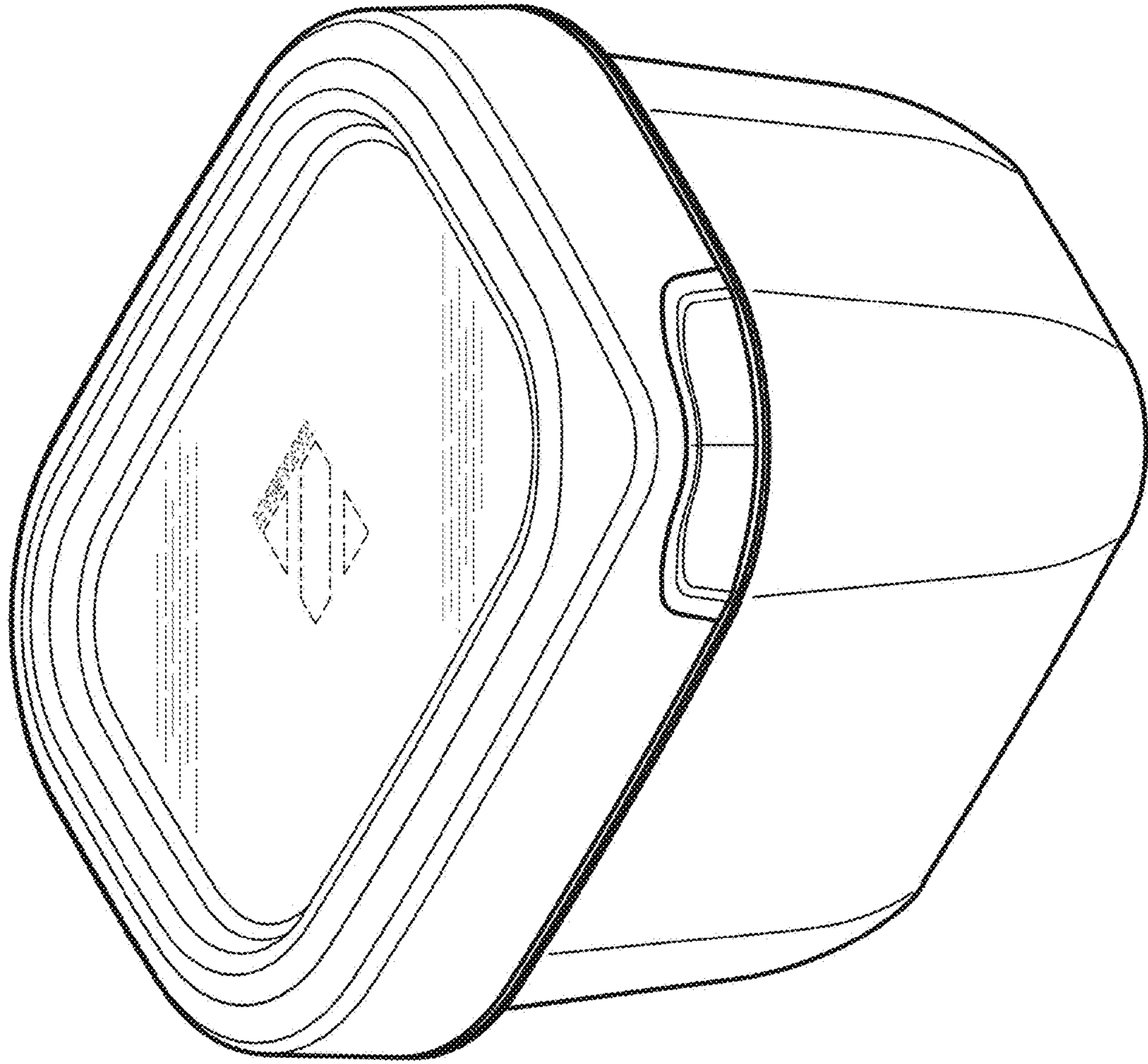


FIG. 13

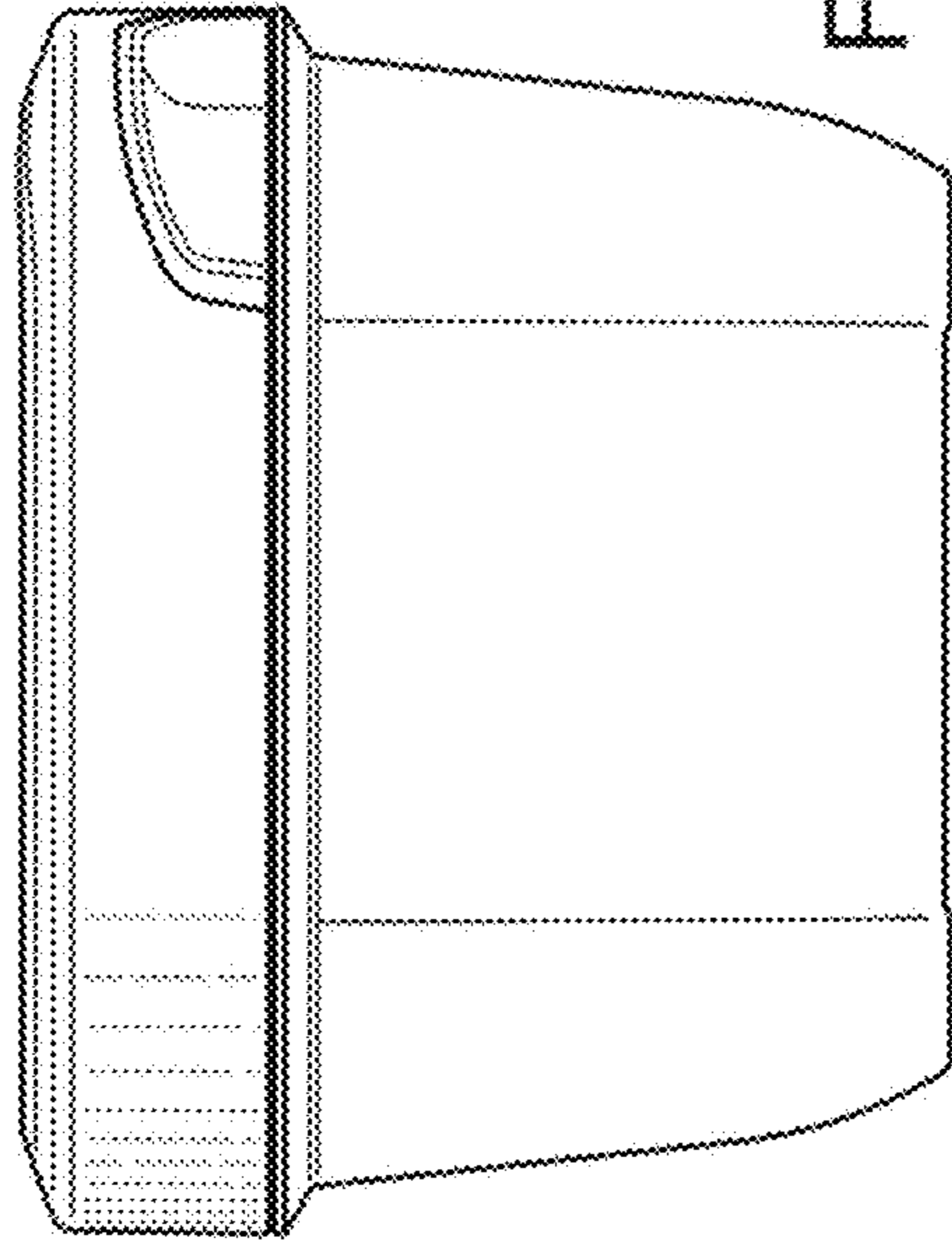


FIG. 14

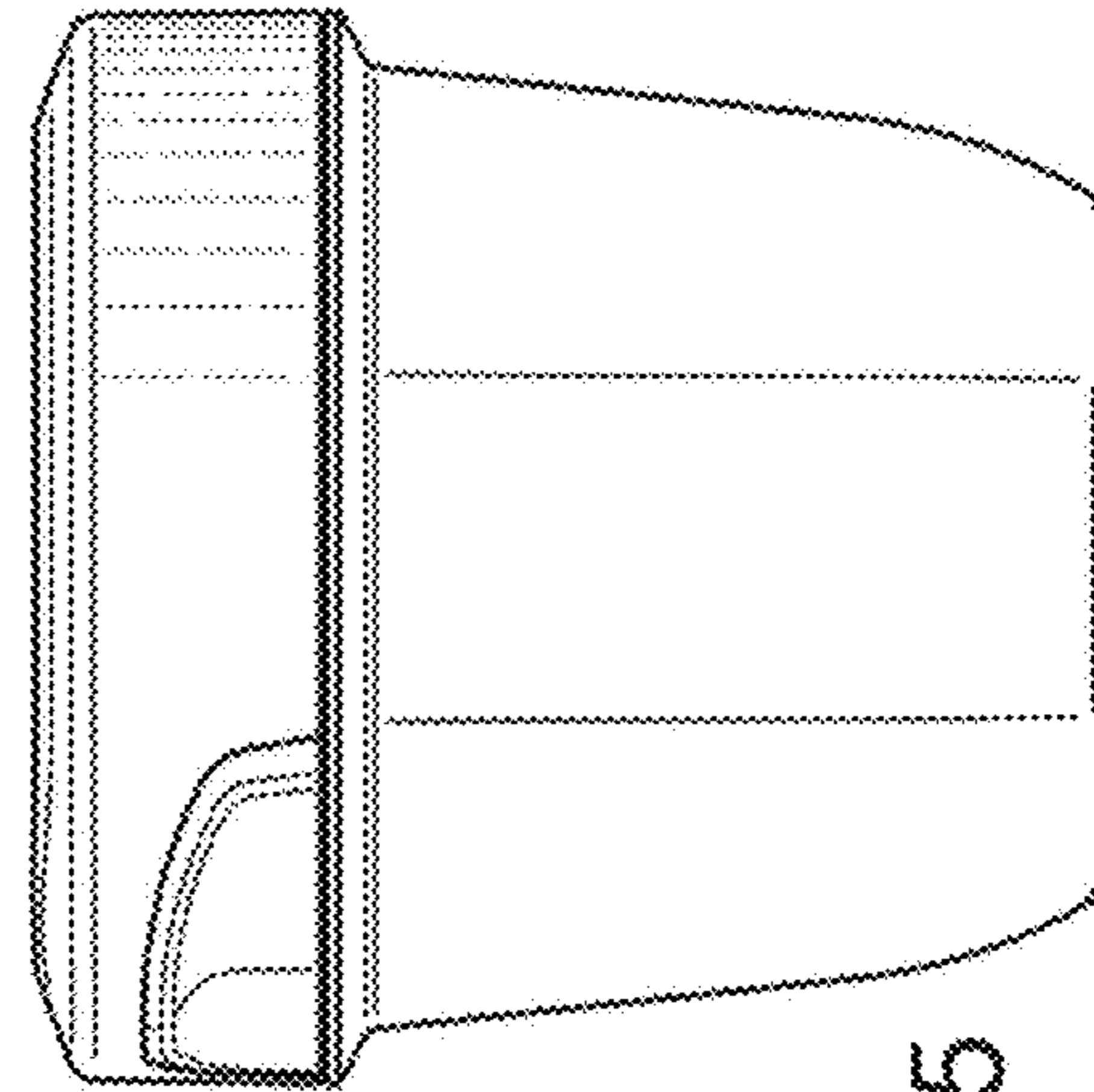


FIG. 15

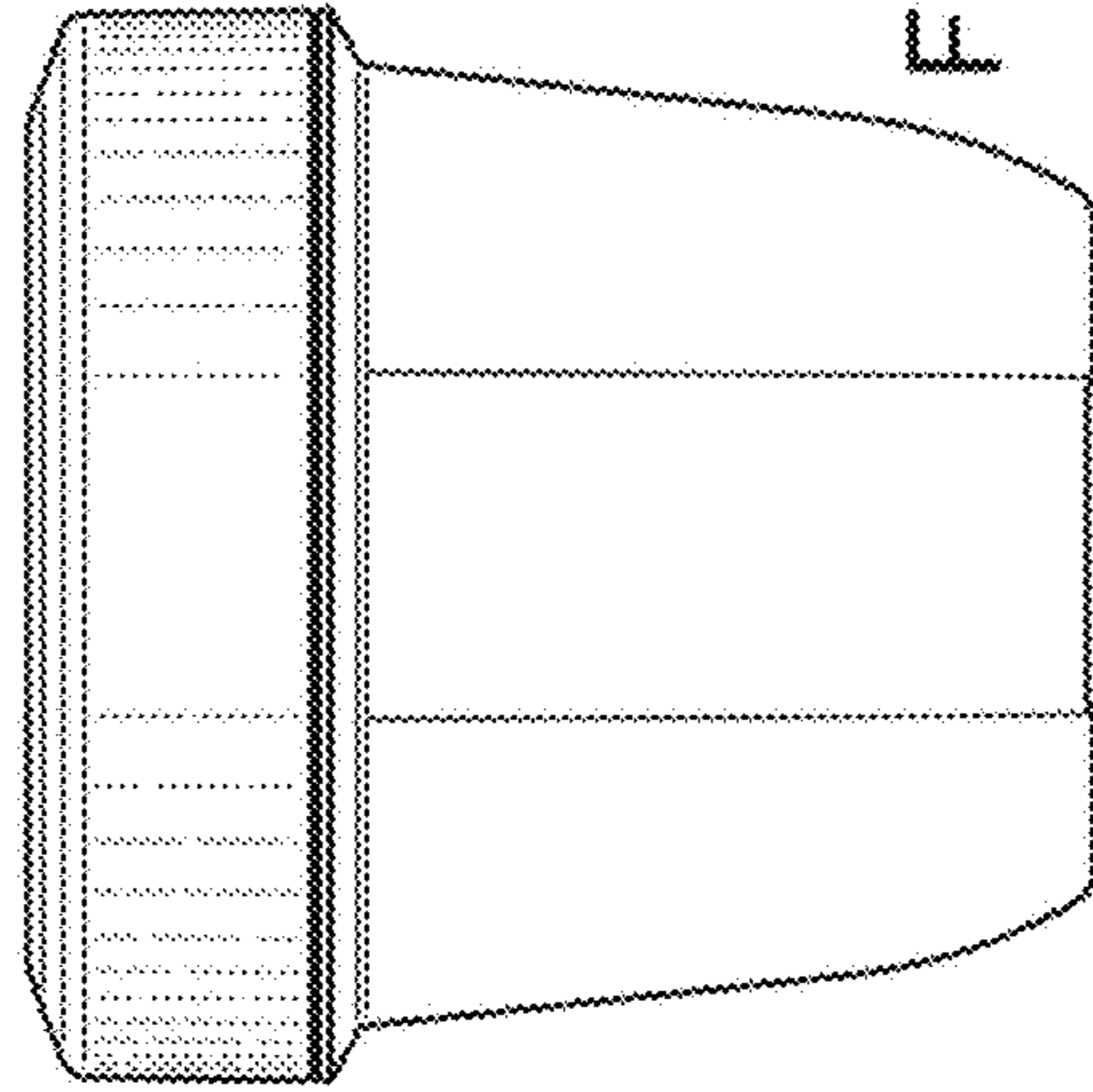


FIG. 16

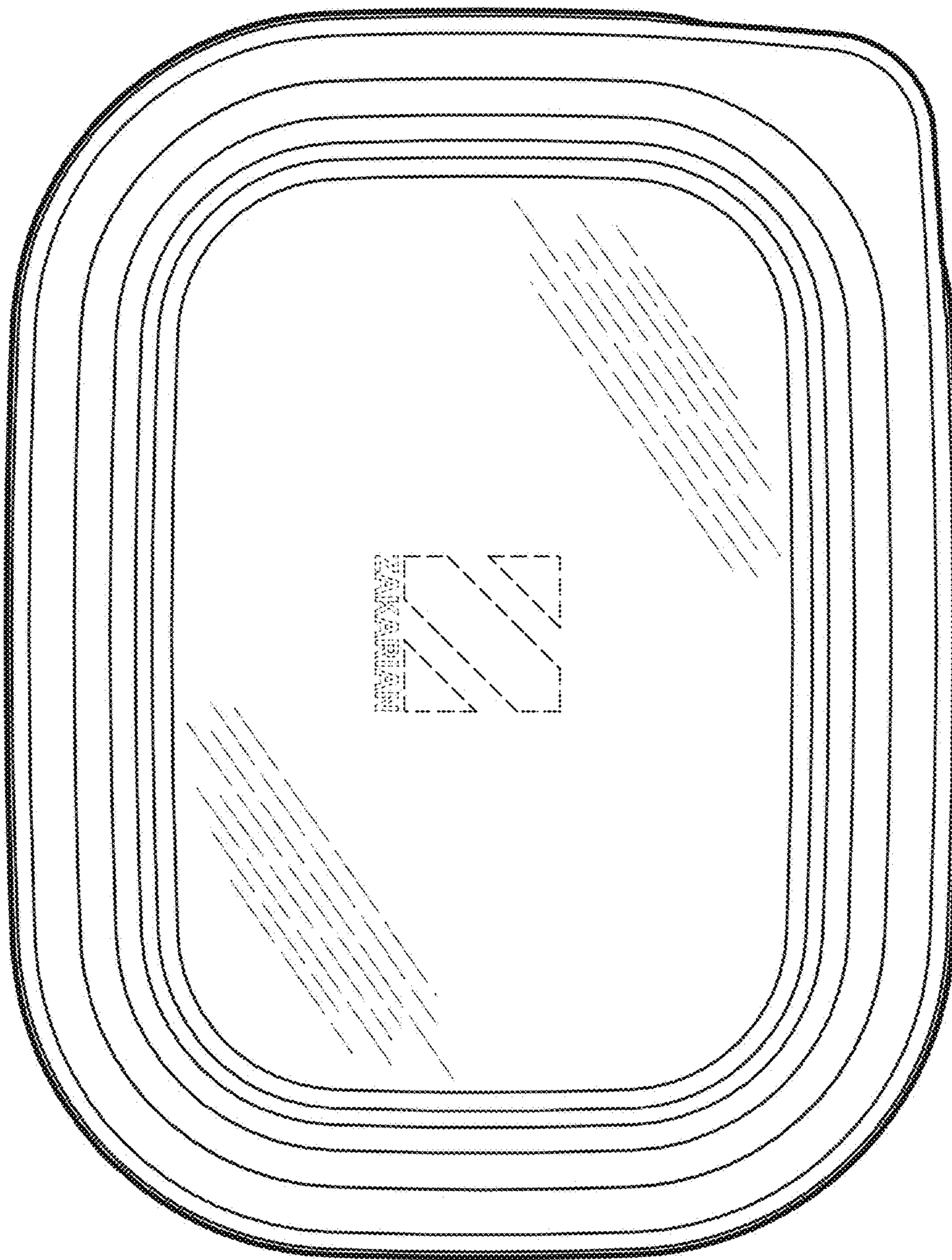


FIG. 17

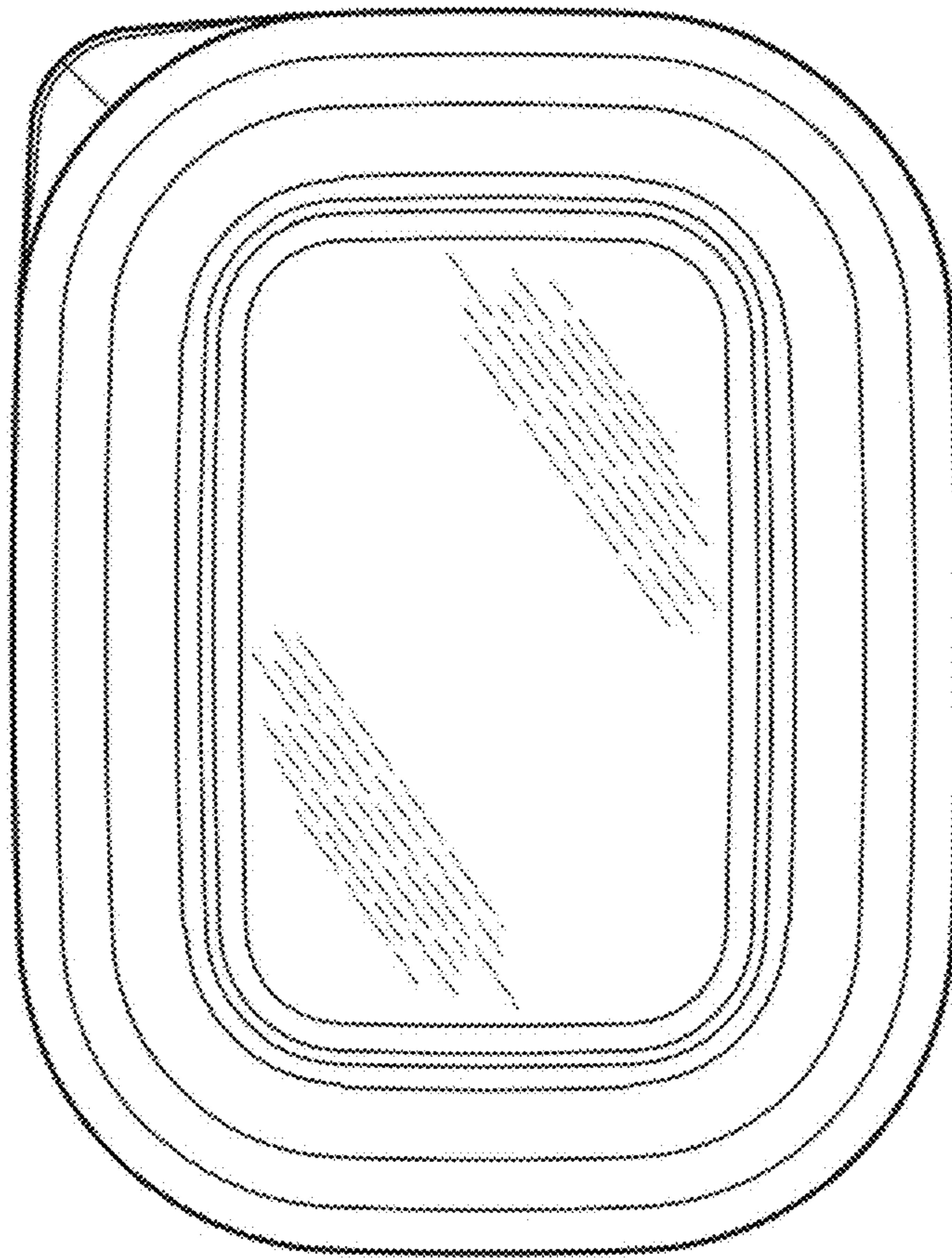


FIG. 18

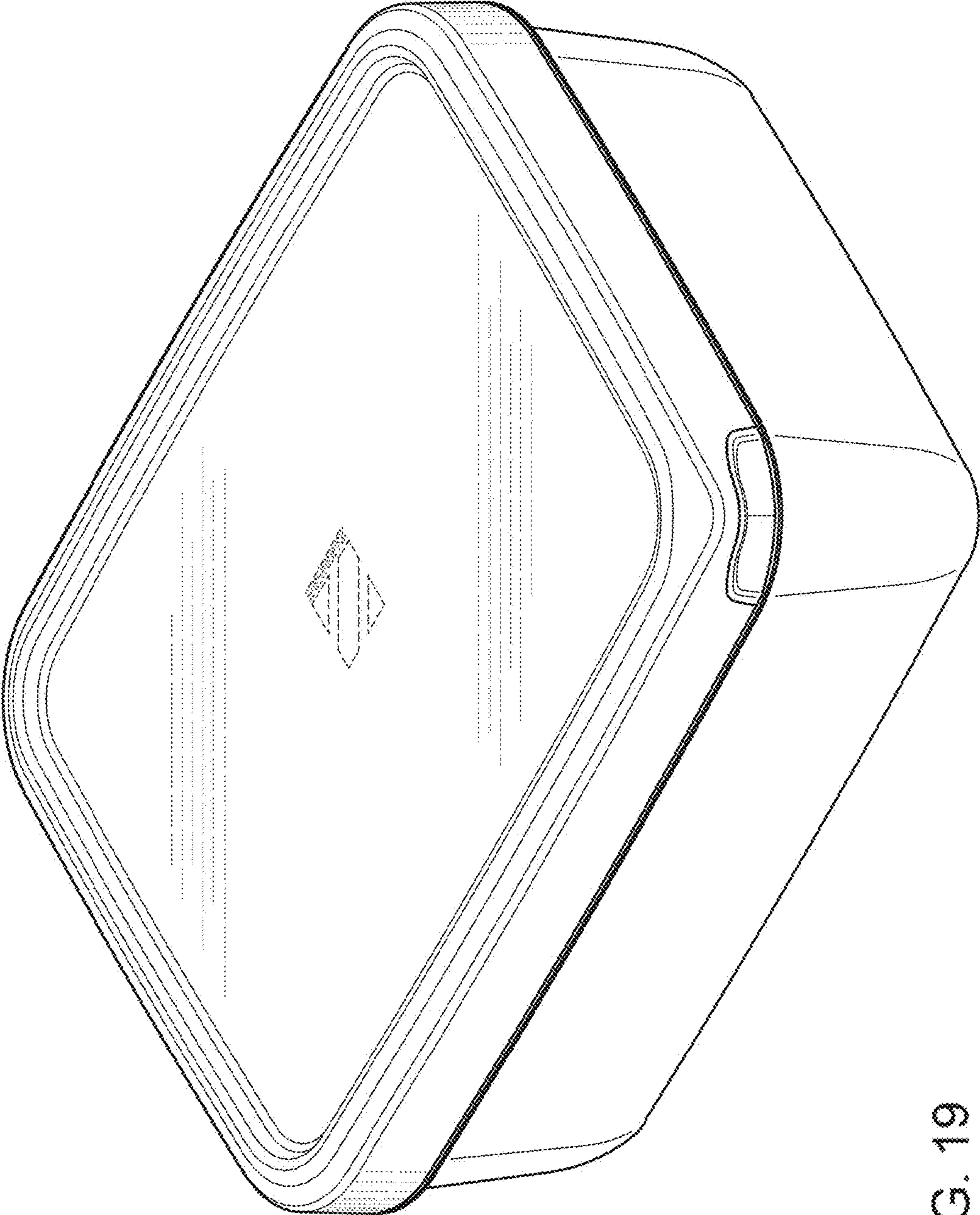


FIG. 19

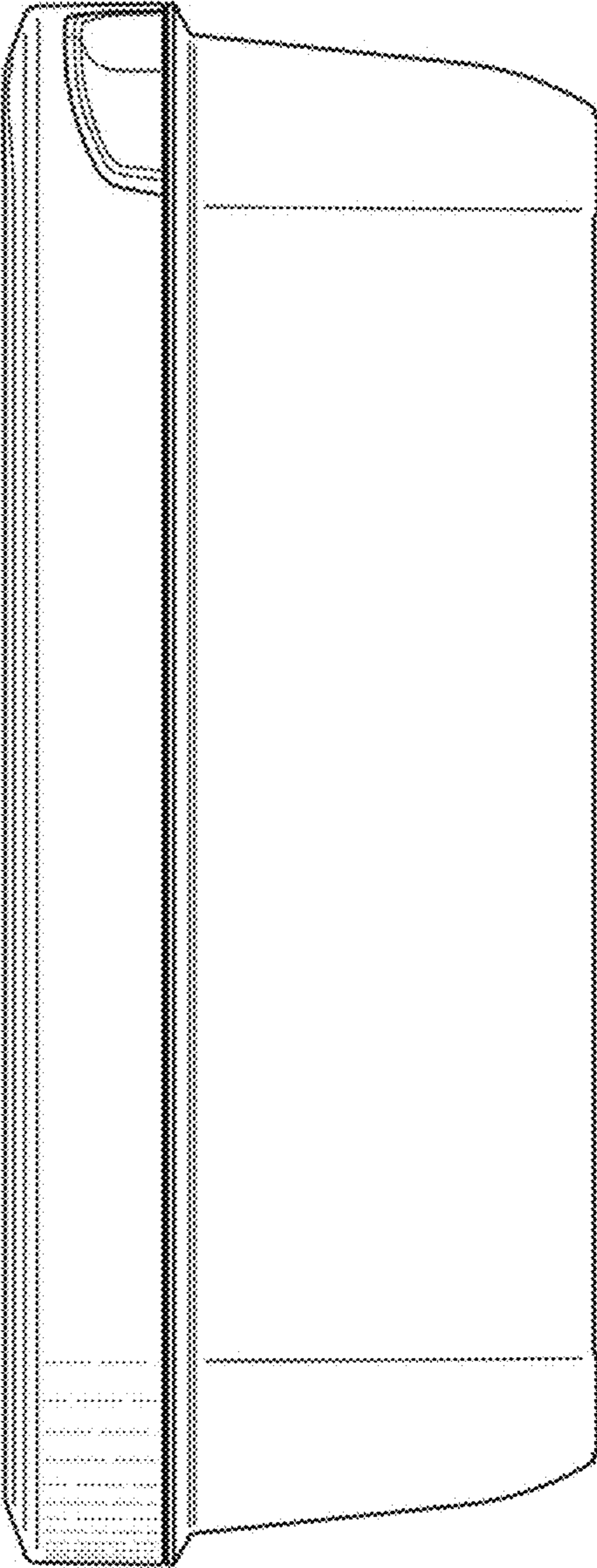


FIG. 20

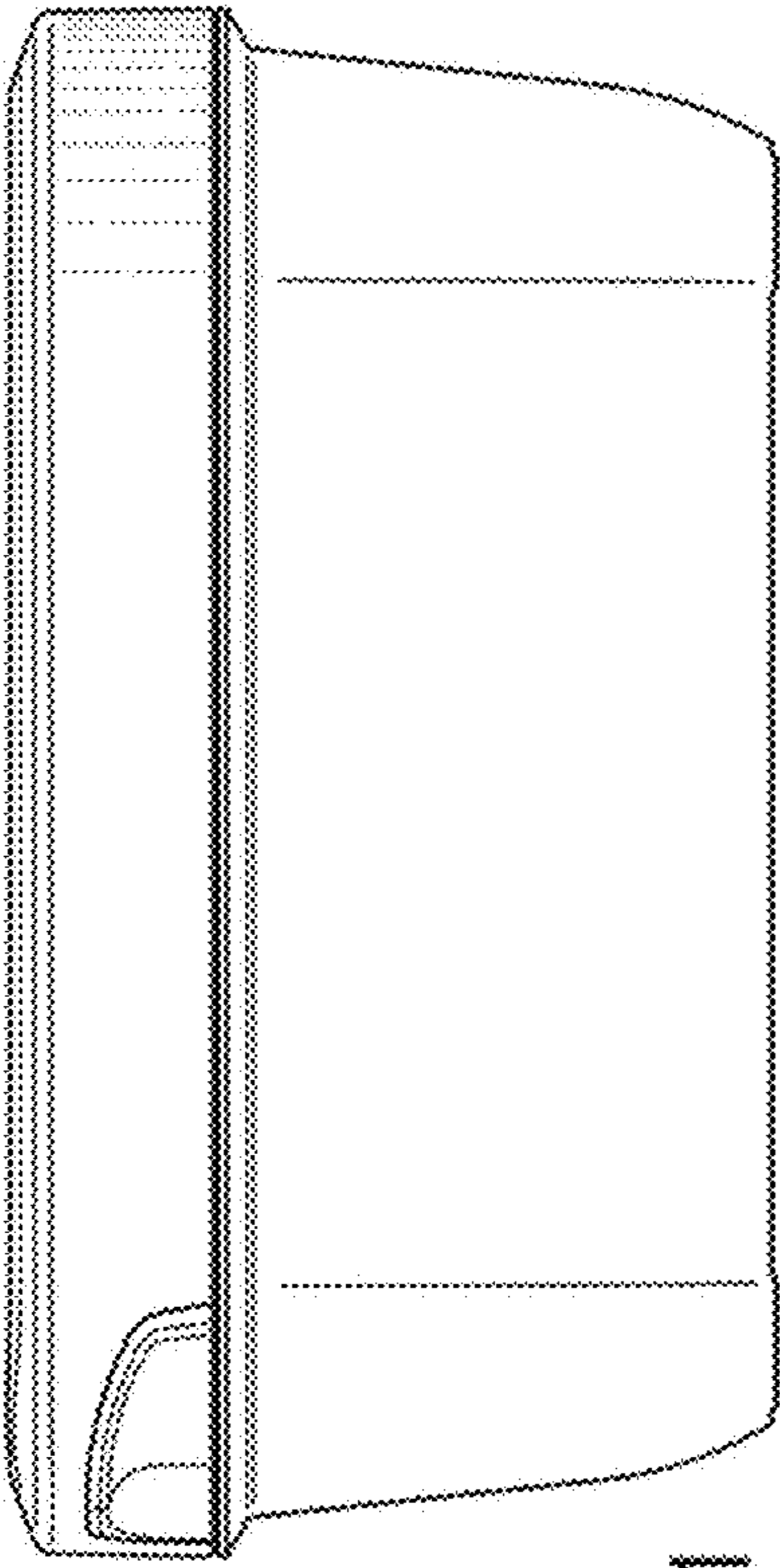


FIG. 21

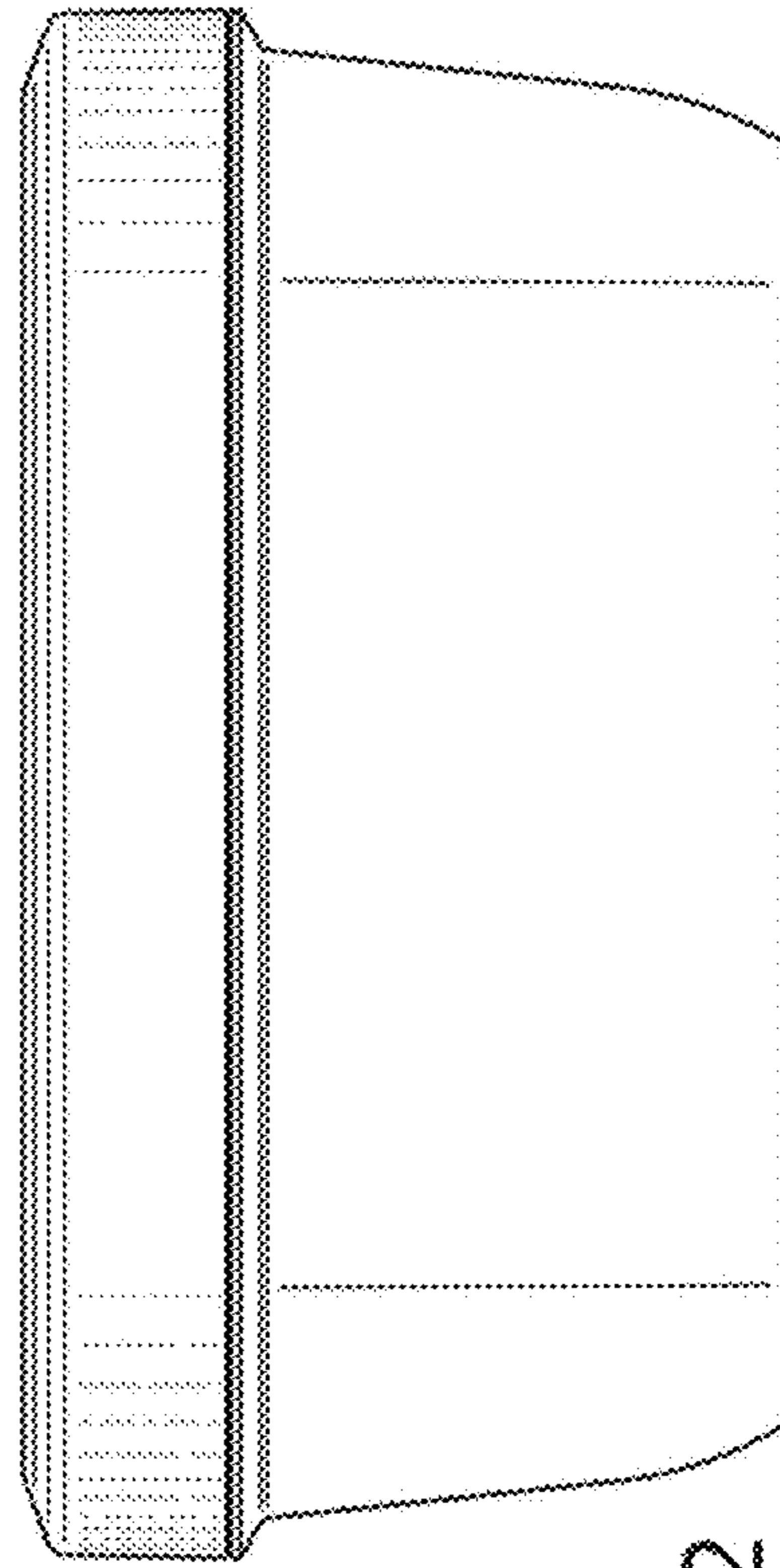


FIG. 22

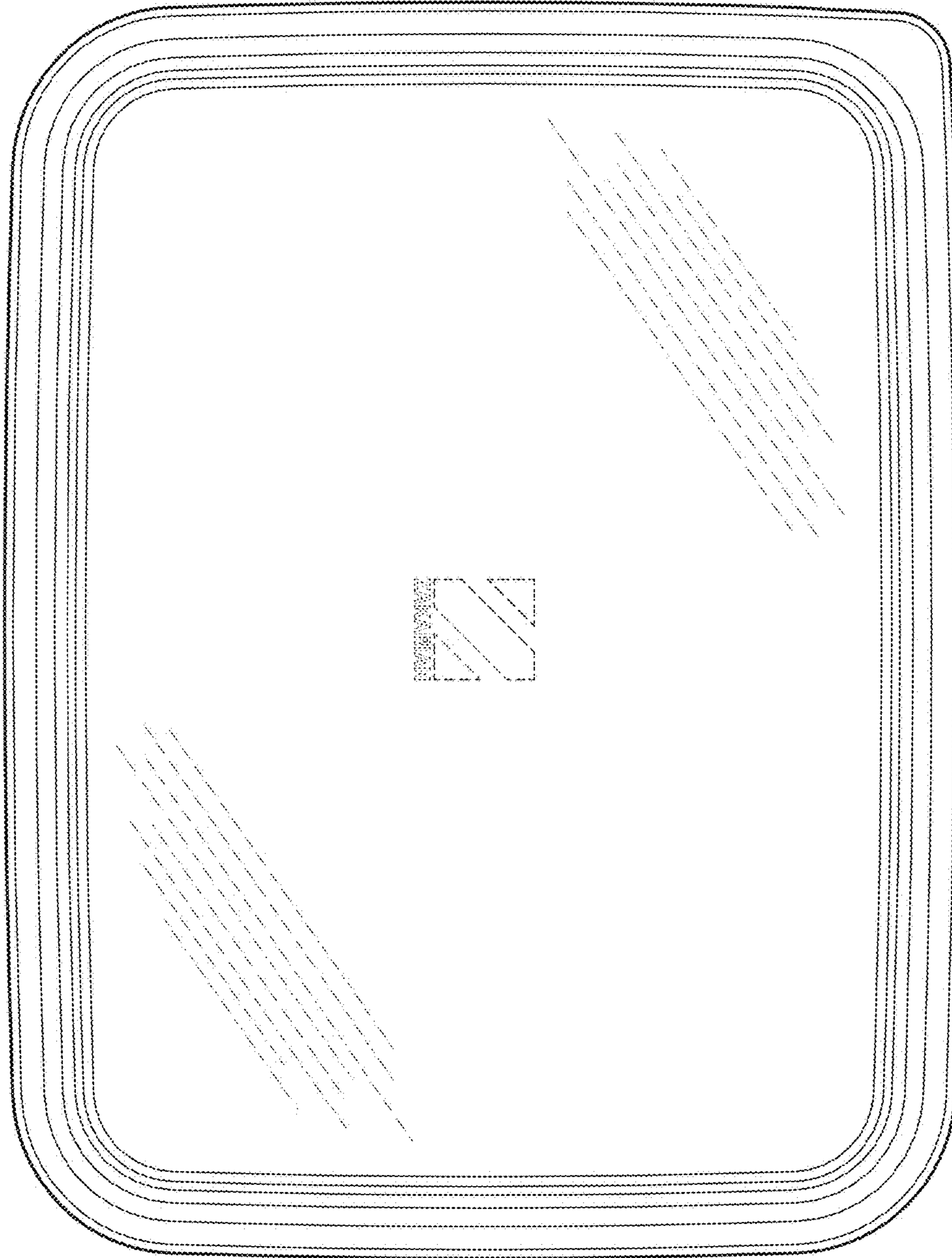


FIG. 23

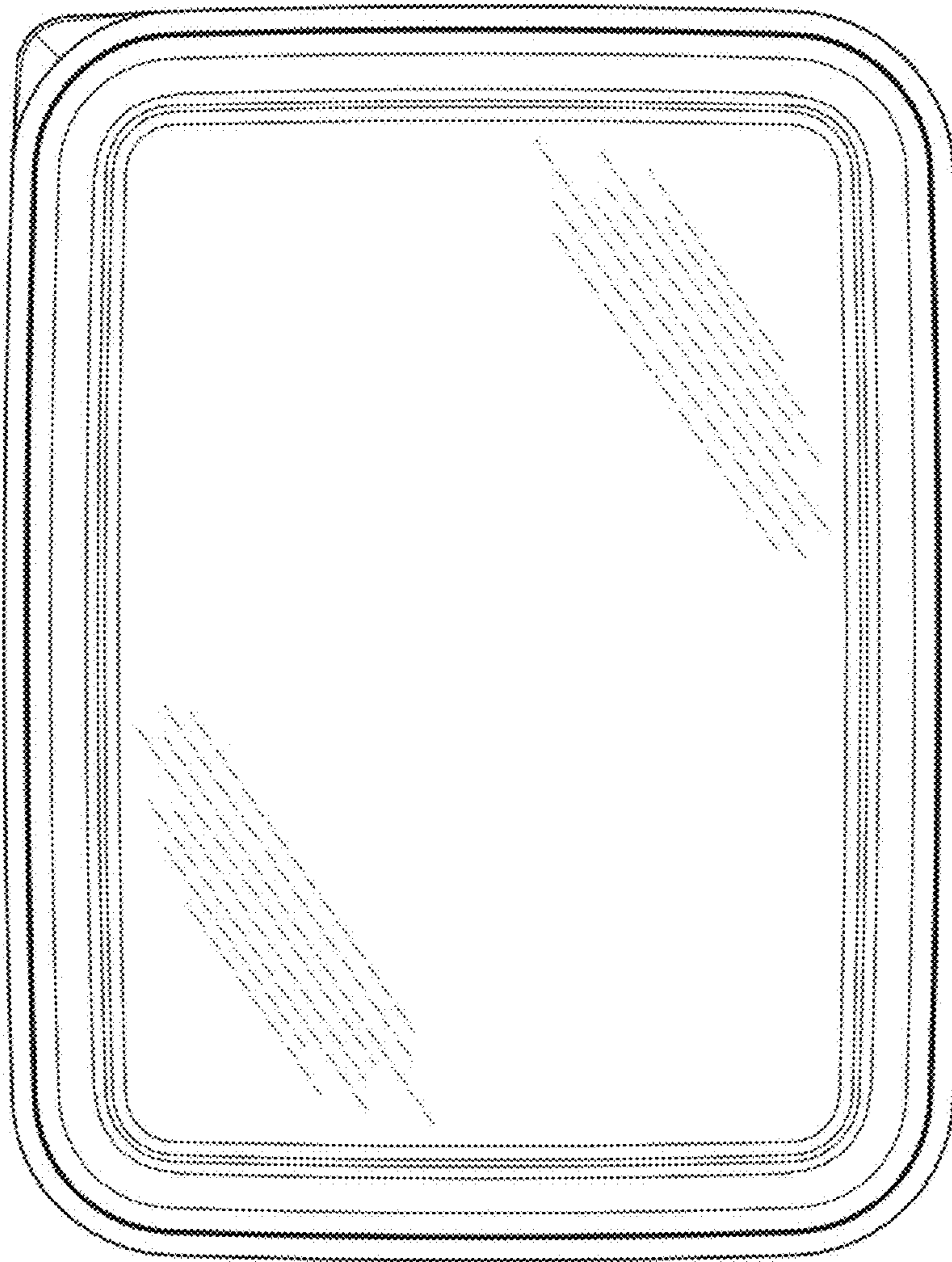


FIG. 24

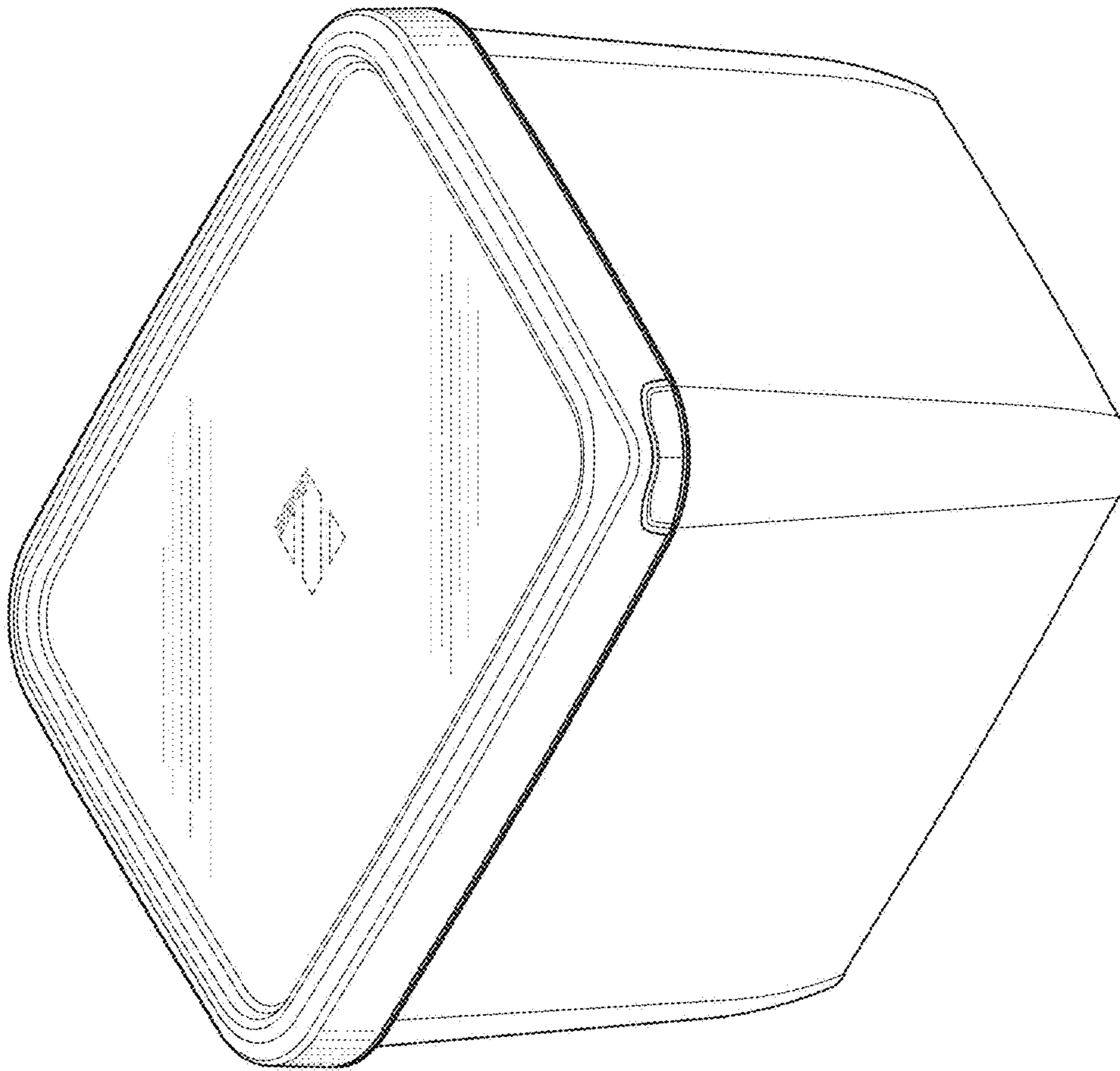


FIG. 25

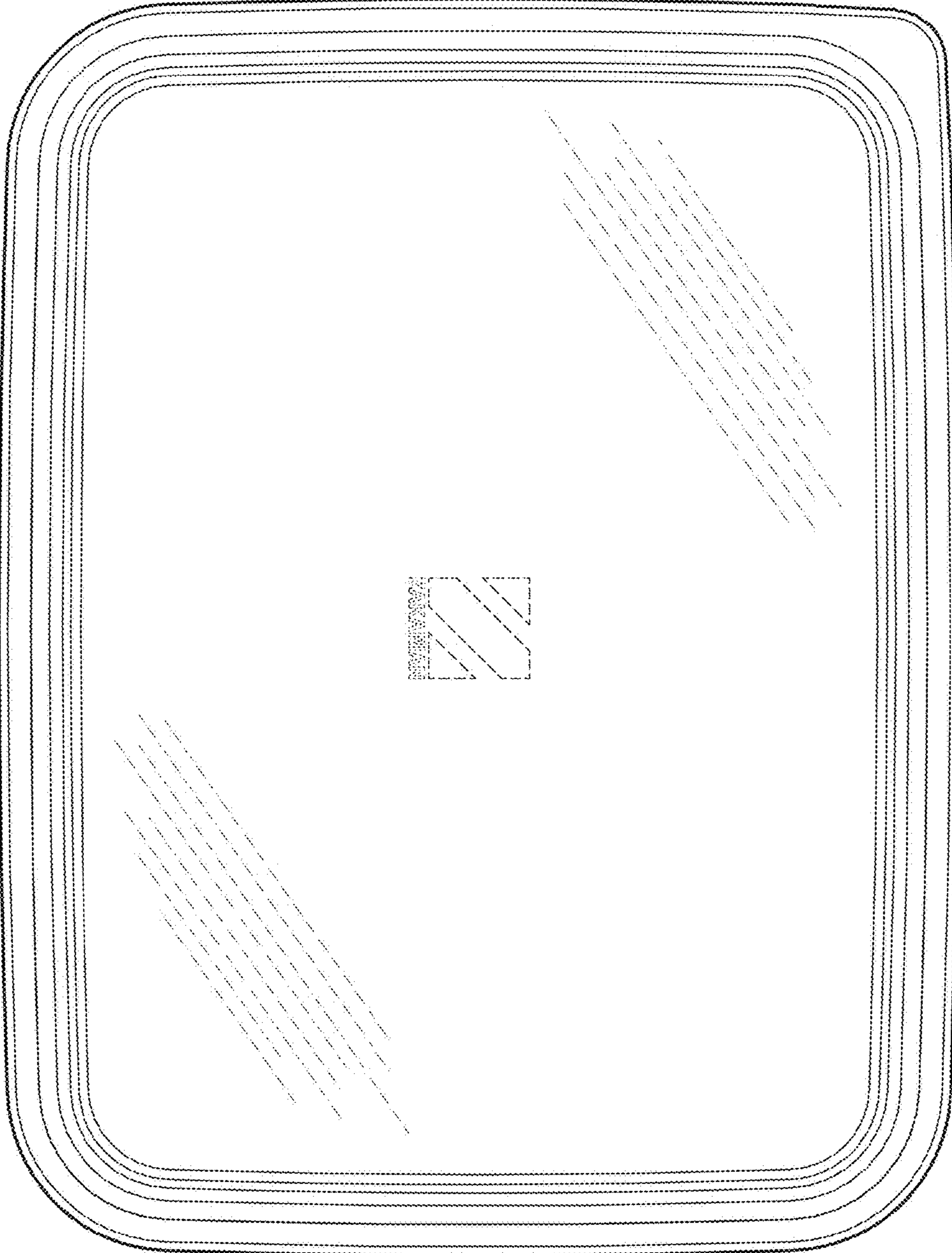


FIG. 26

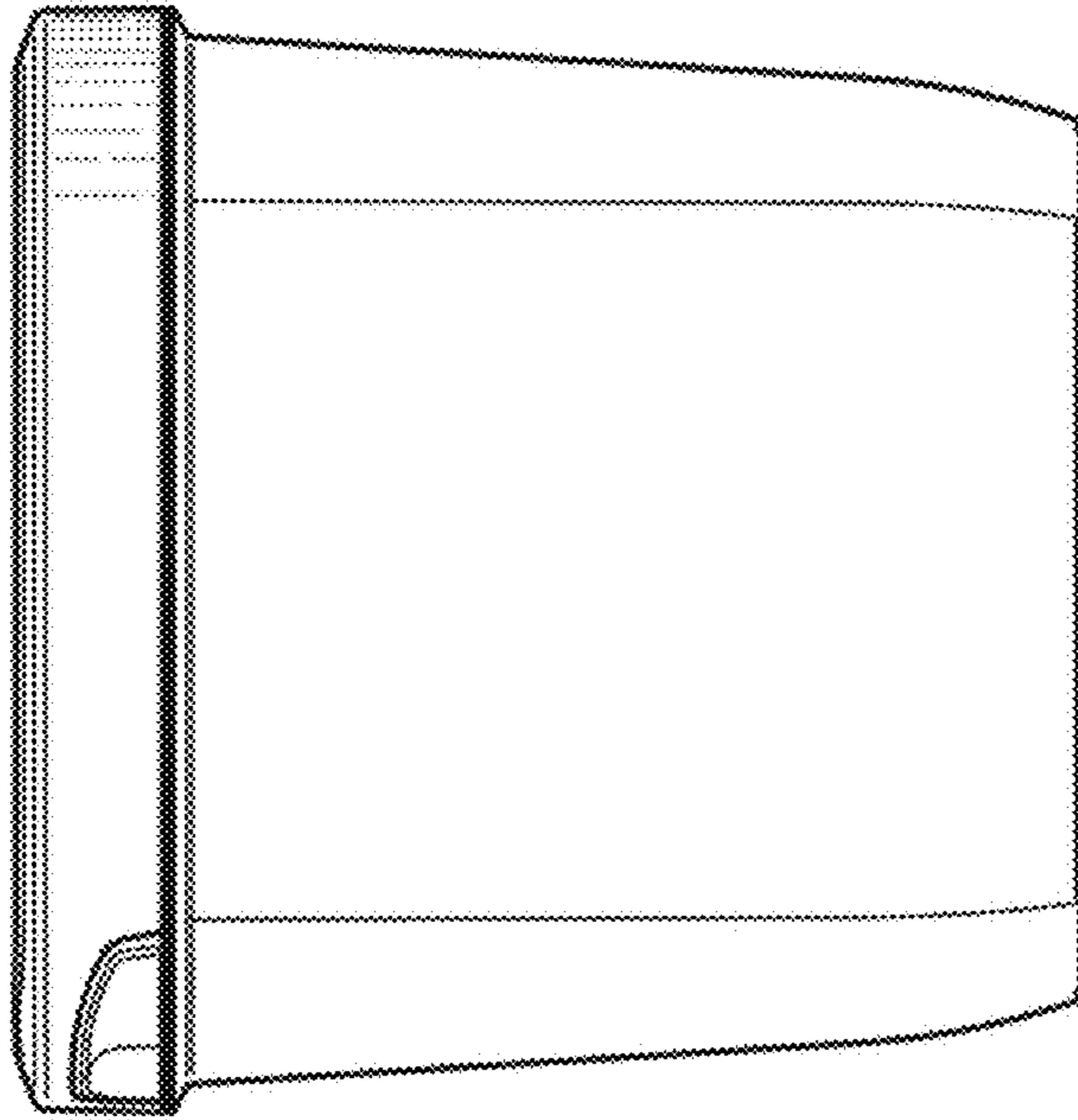


FIG. 28

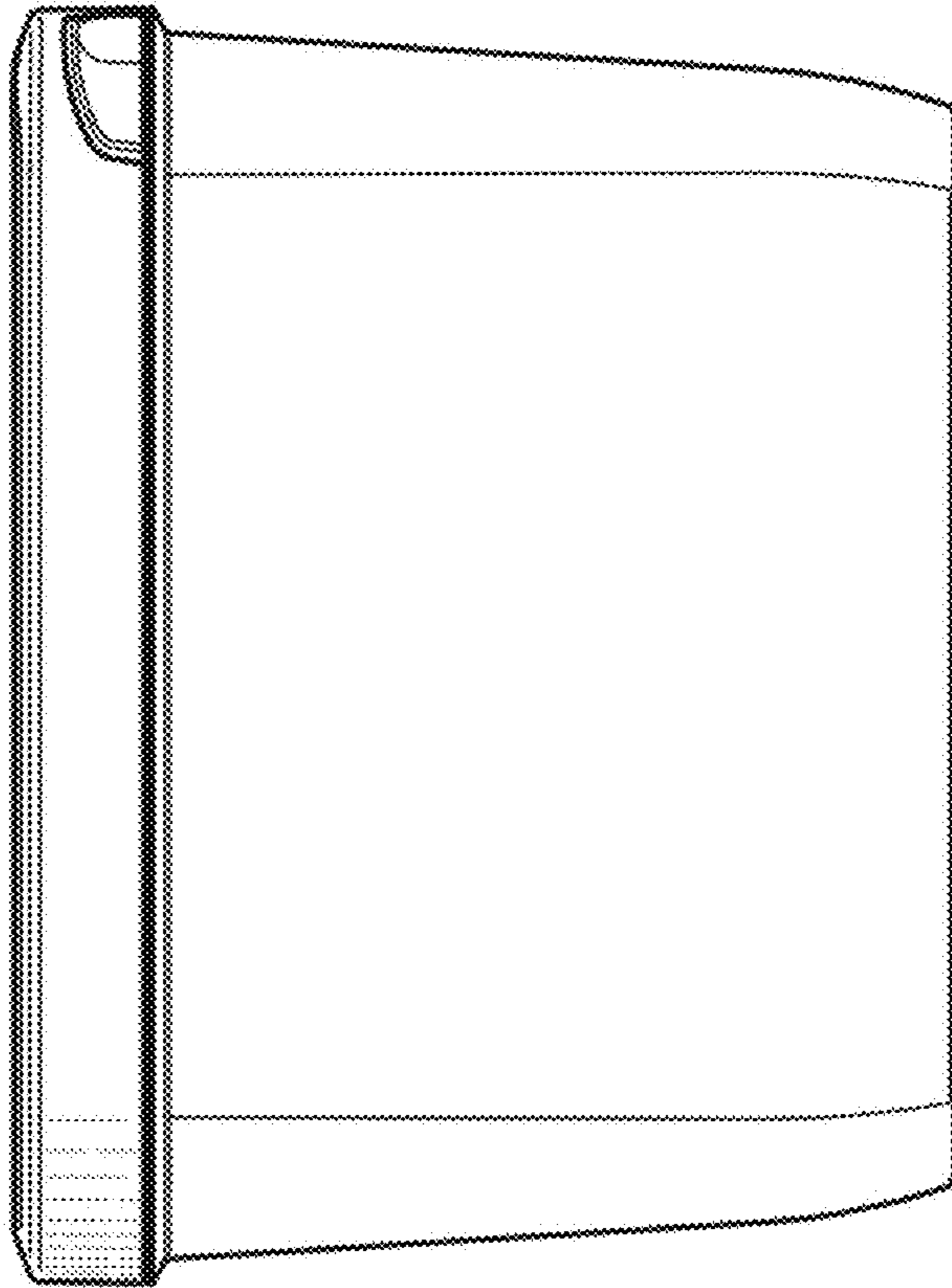


FIG. 27

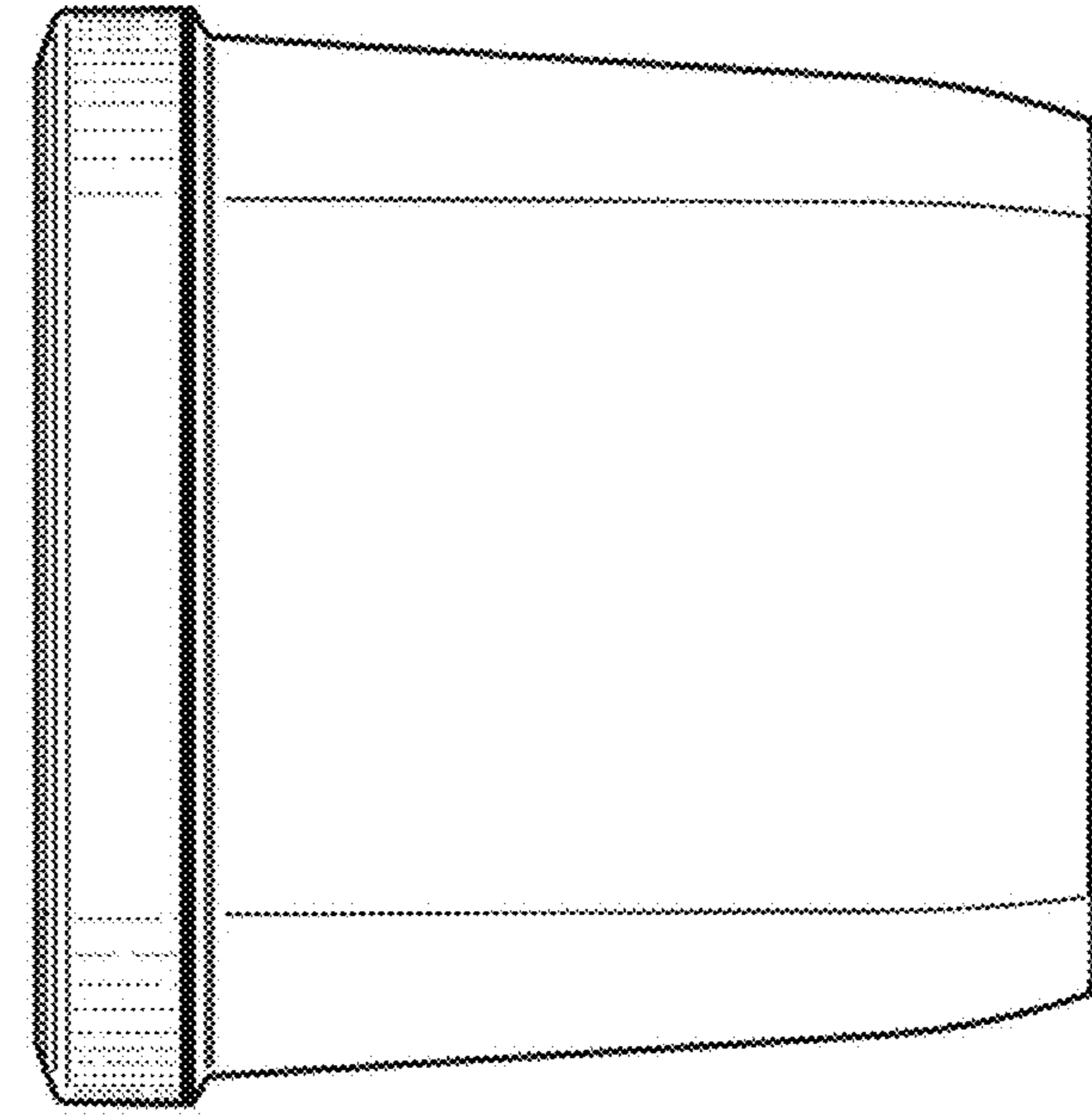


FIG. 30

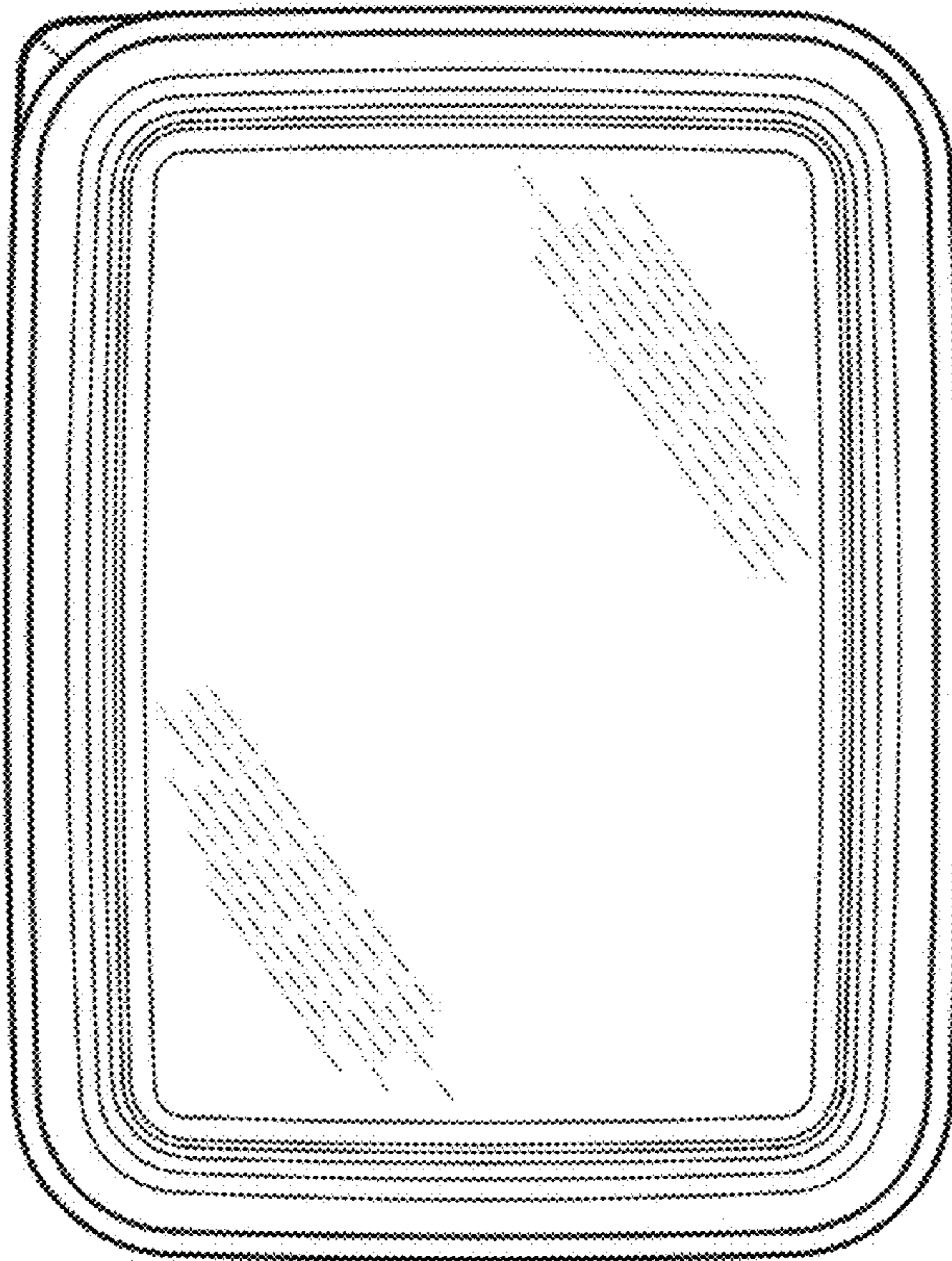


FIG. 29

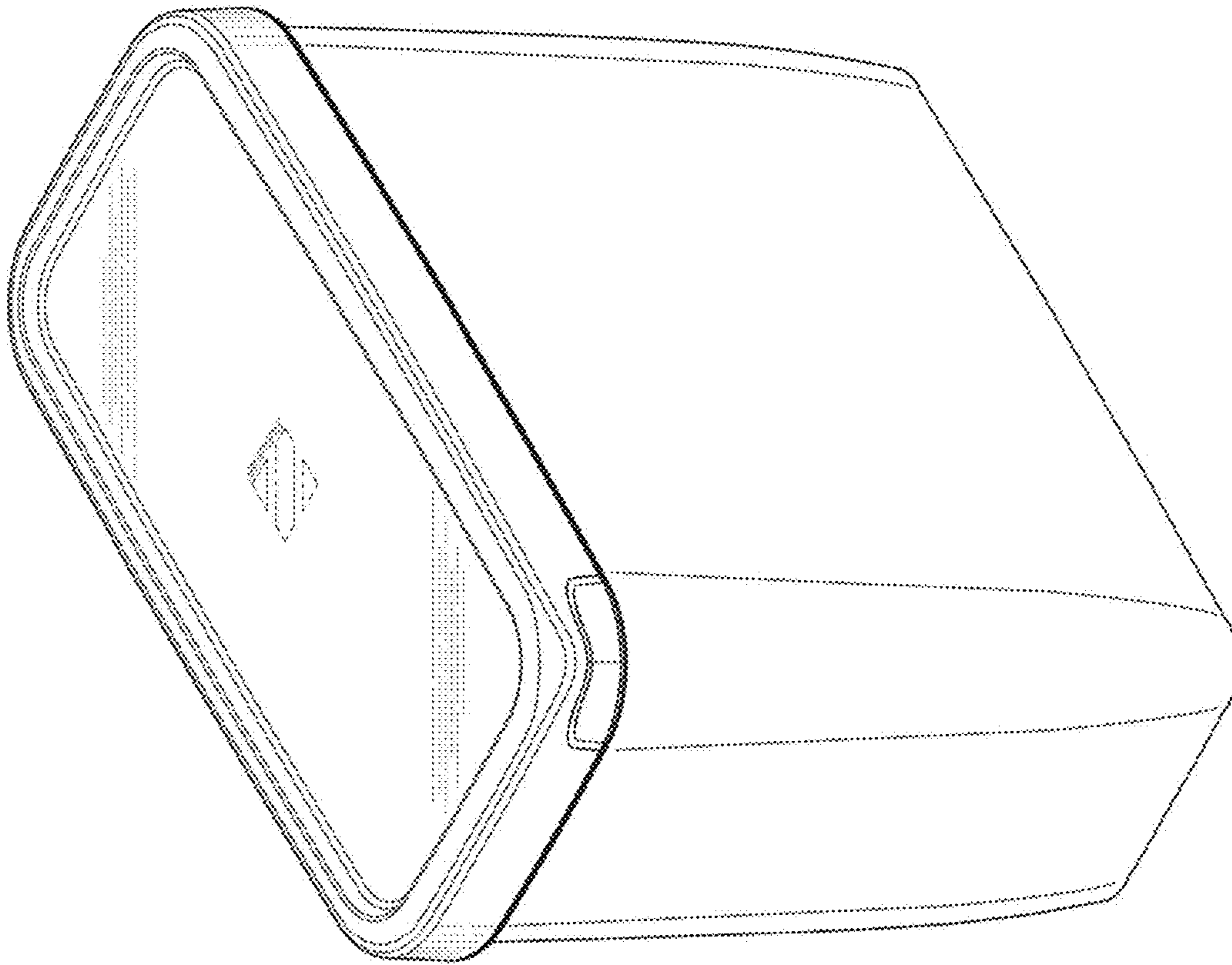


FIG. 31

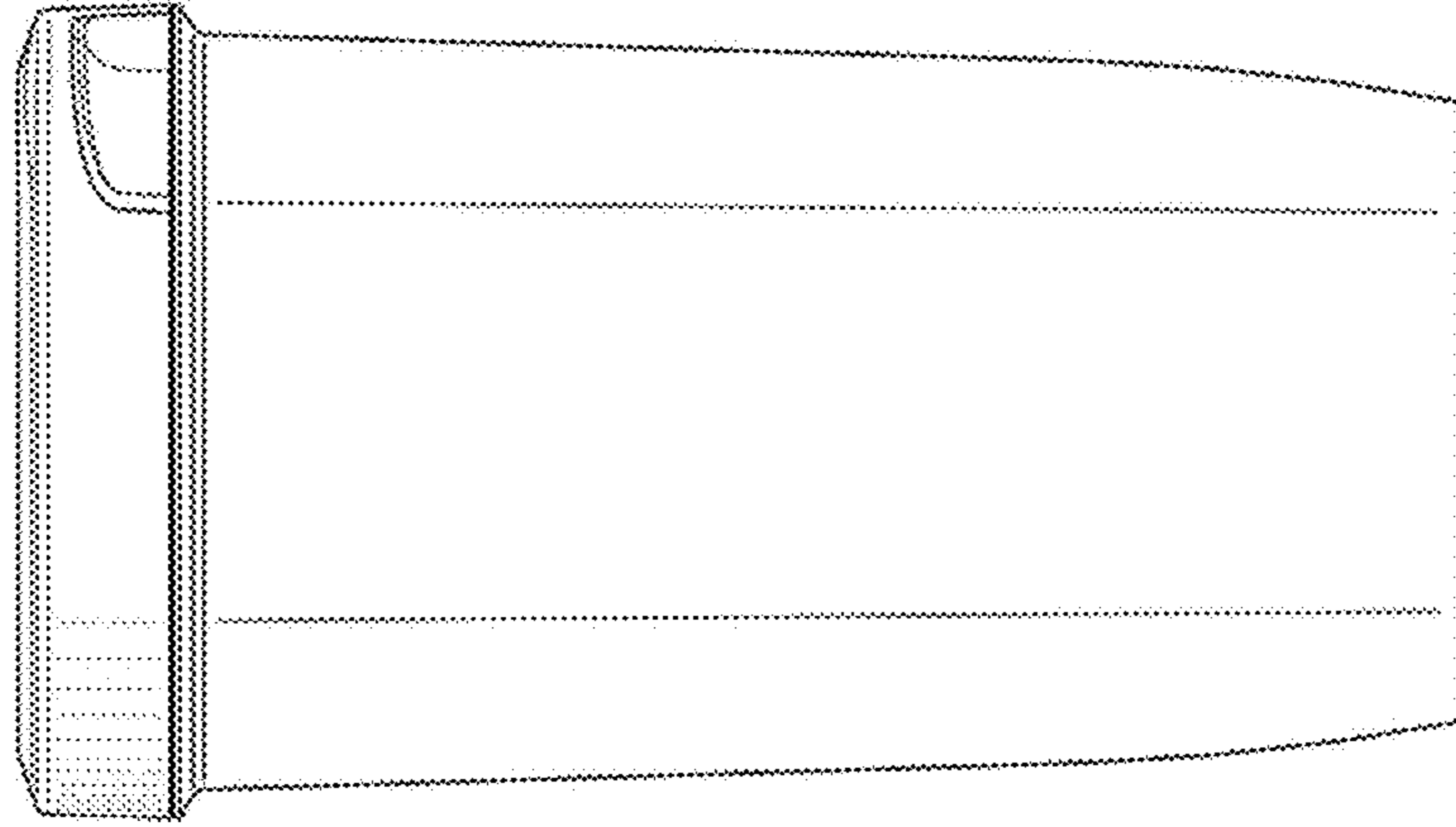


FIG. 33

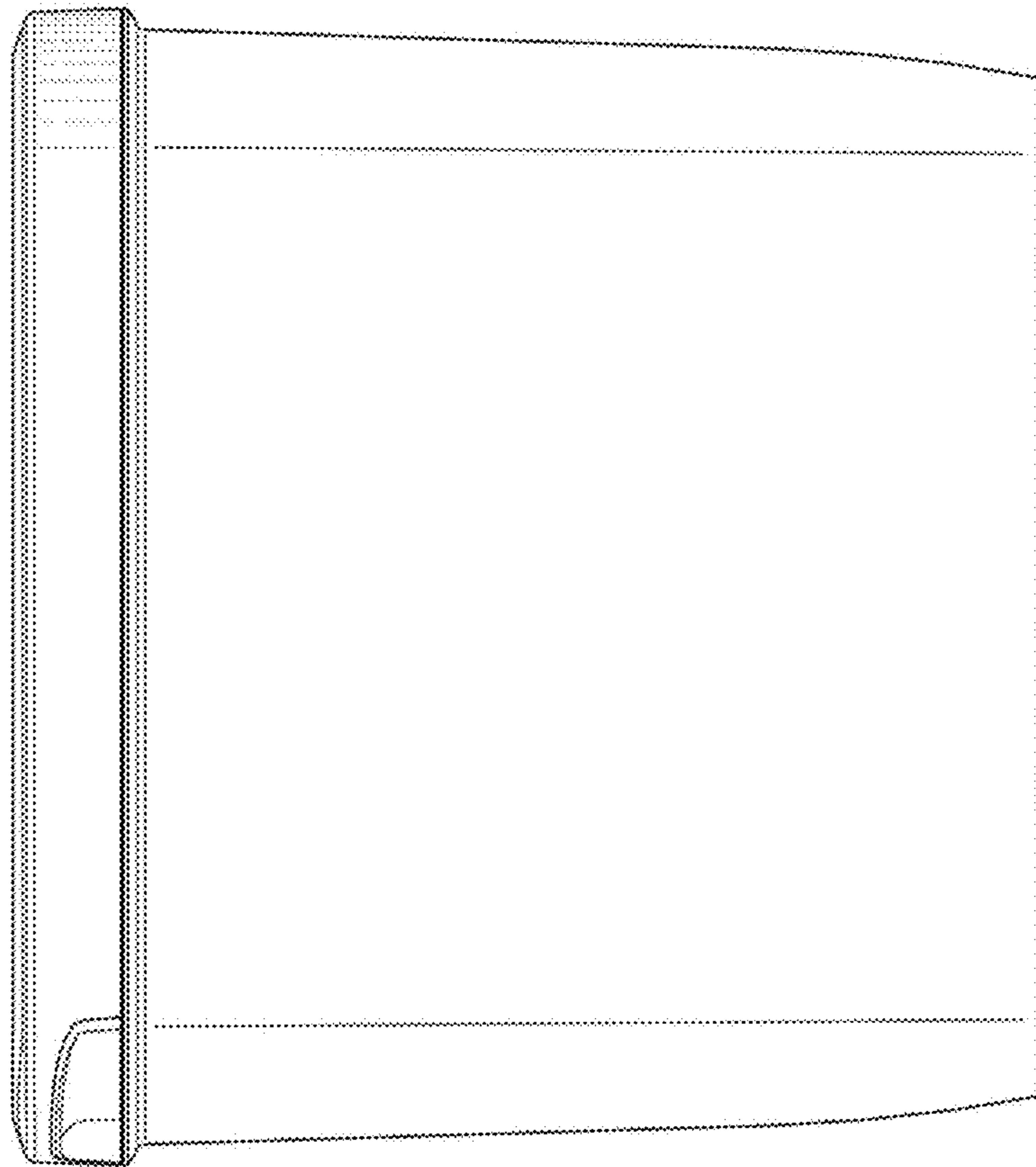


FIG. 32

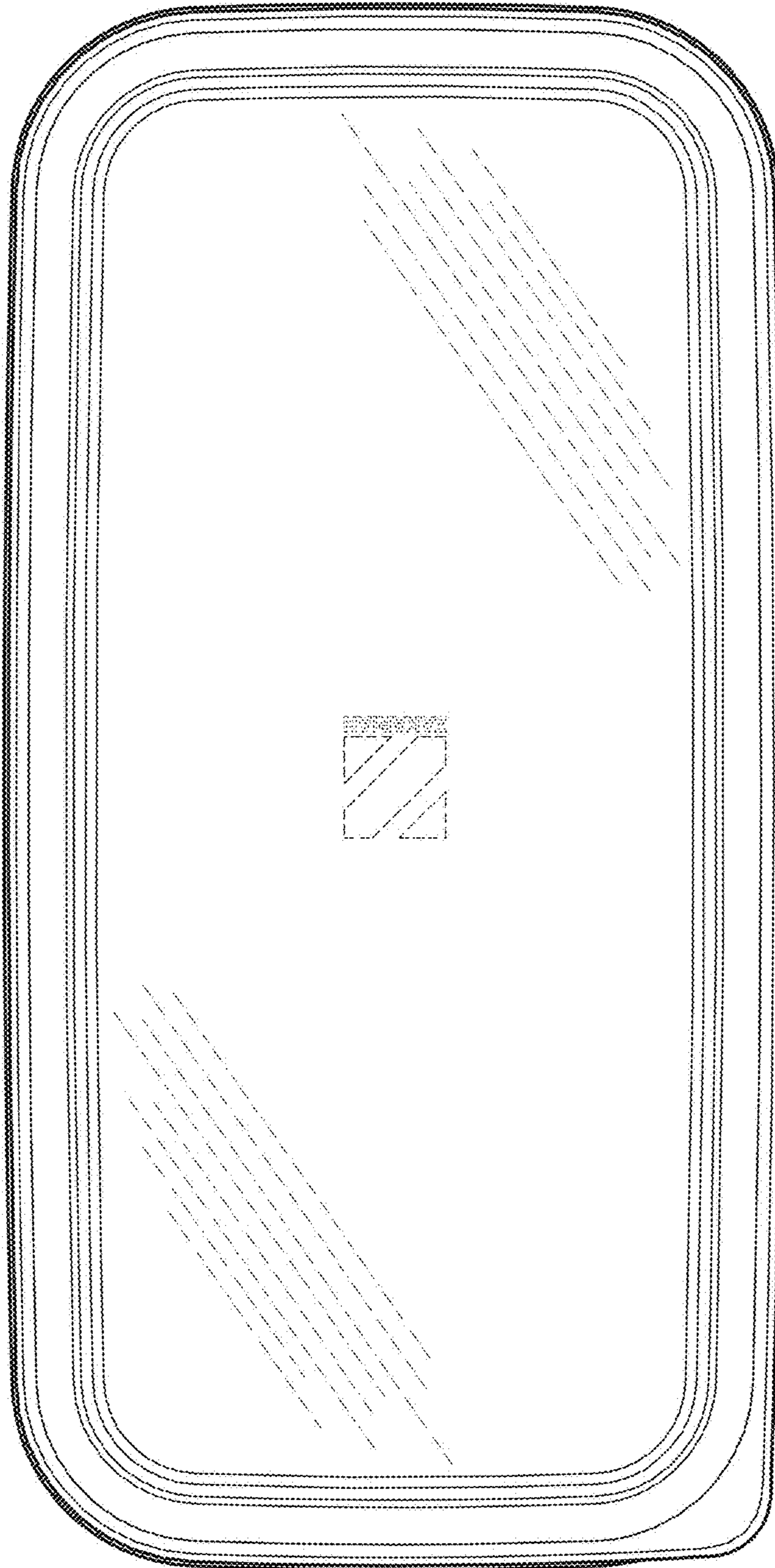


FIG. 35

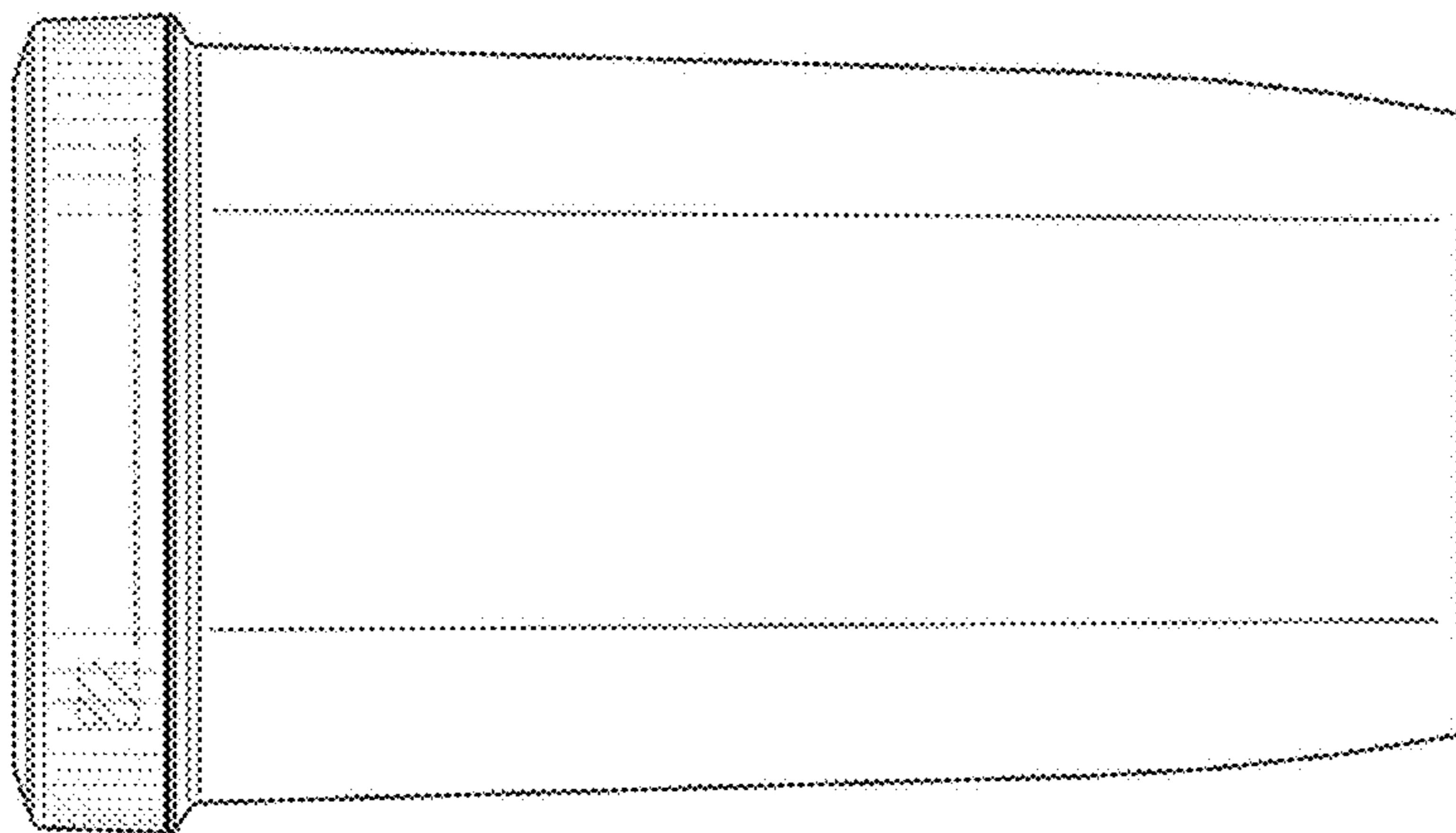


FIG. 34

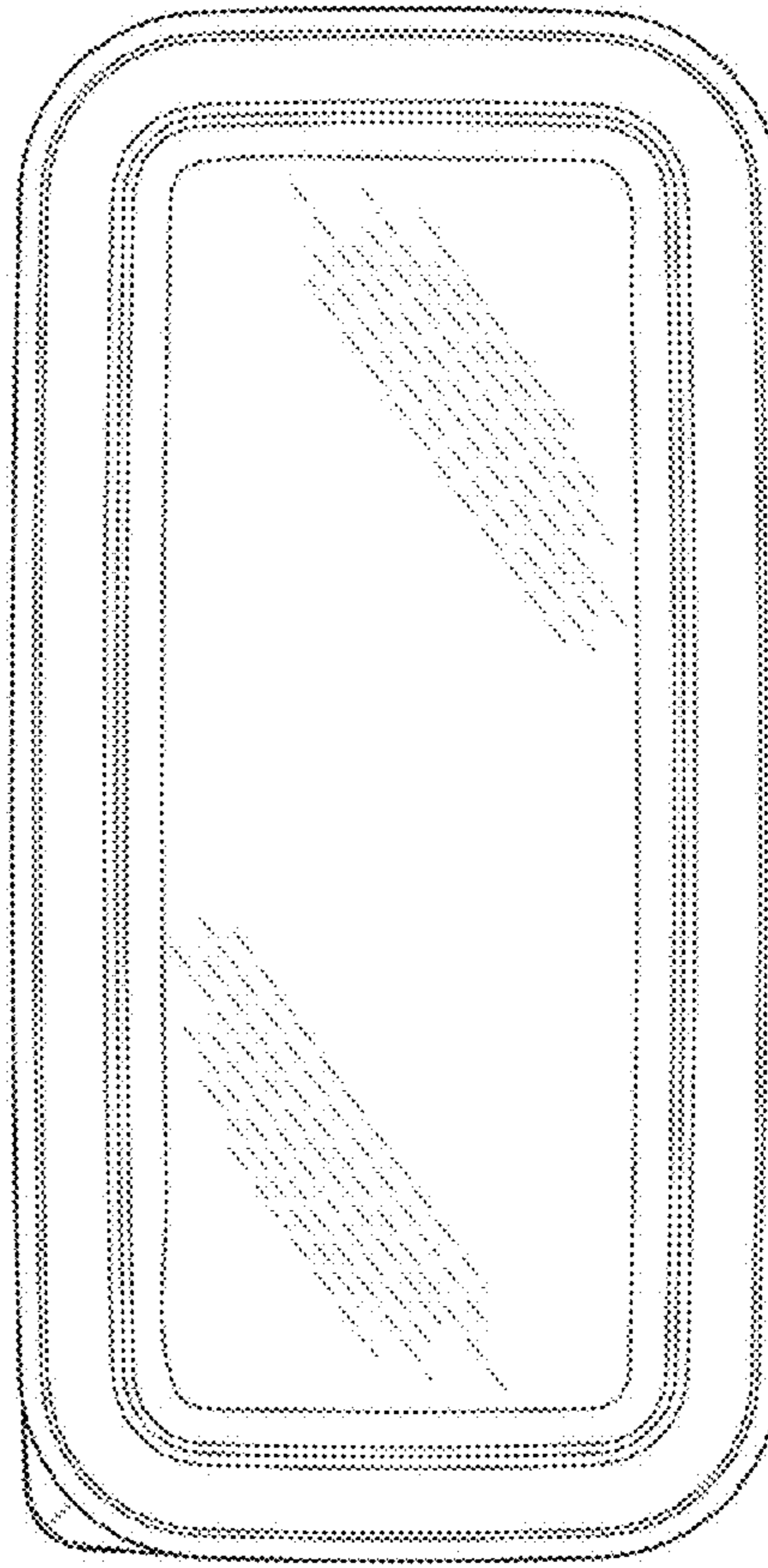


FIG. 36

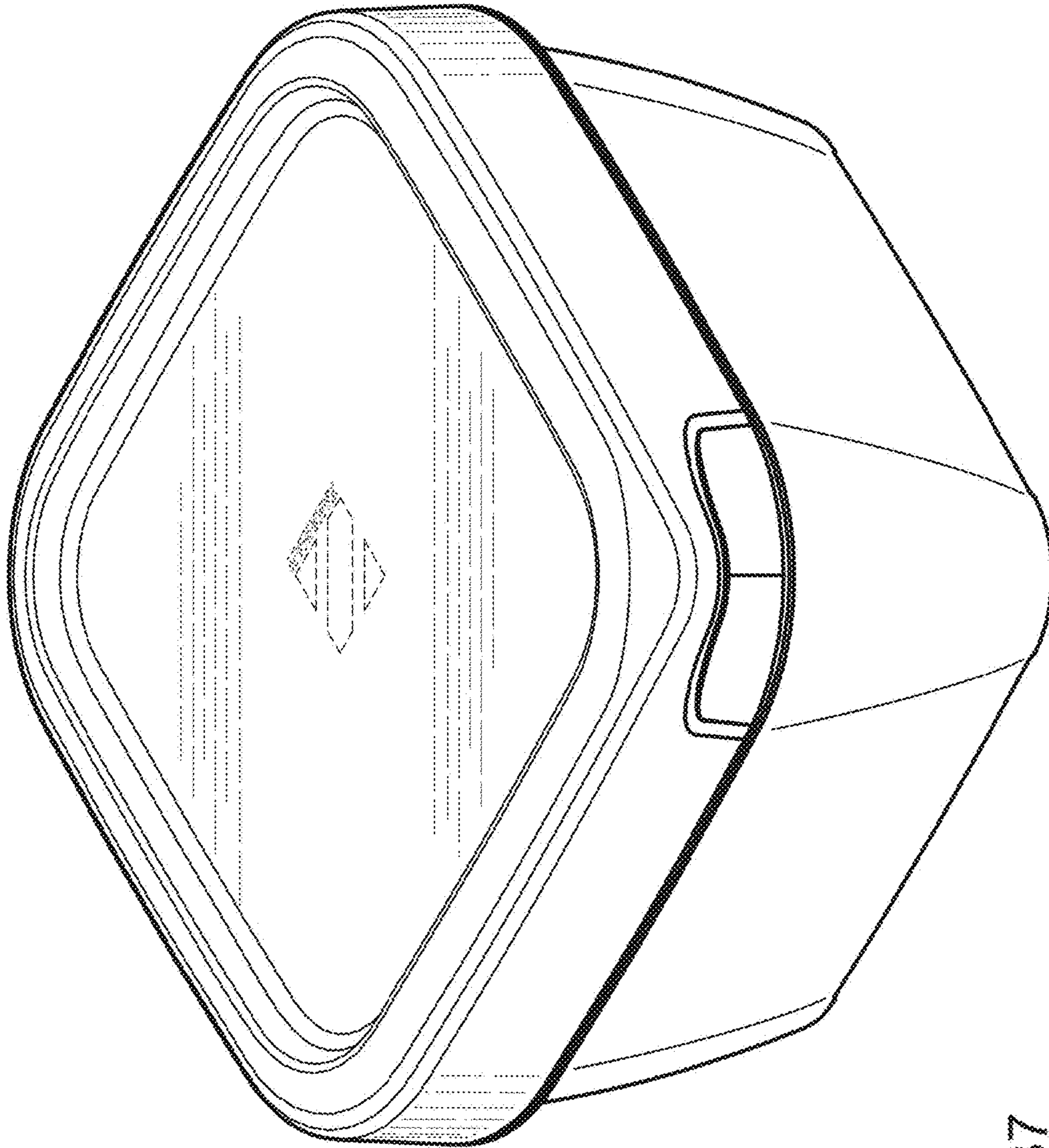


FIG. 37

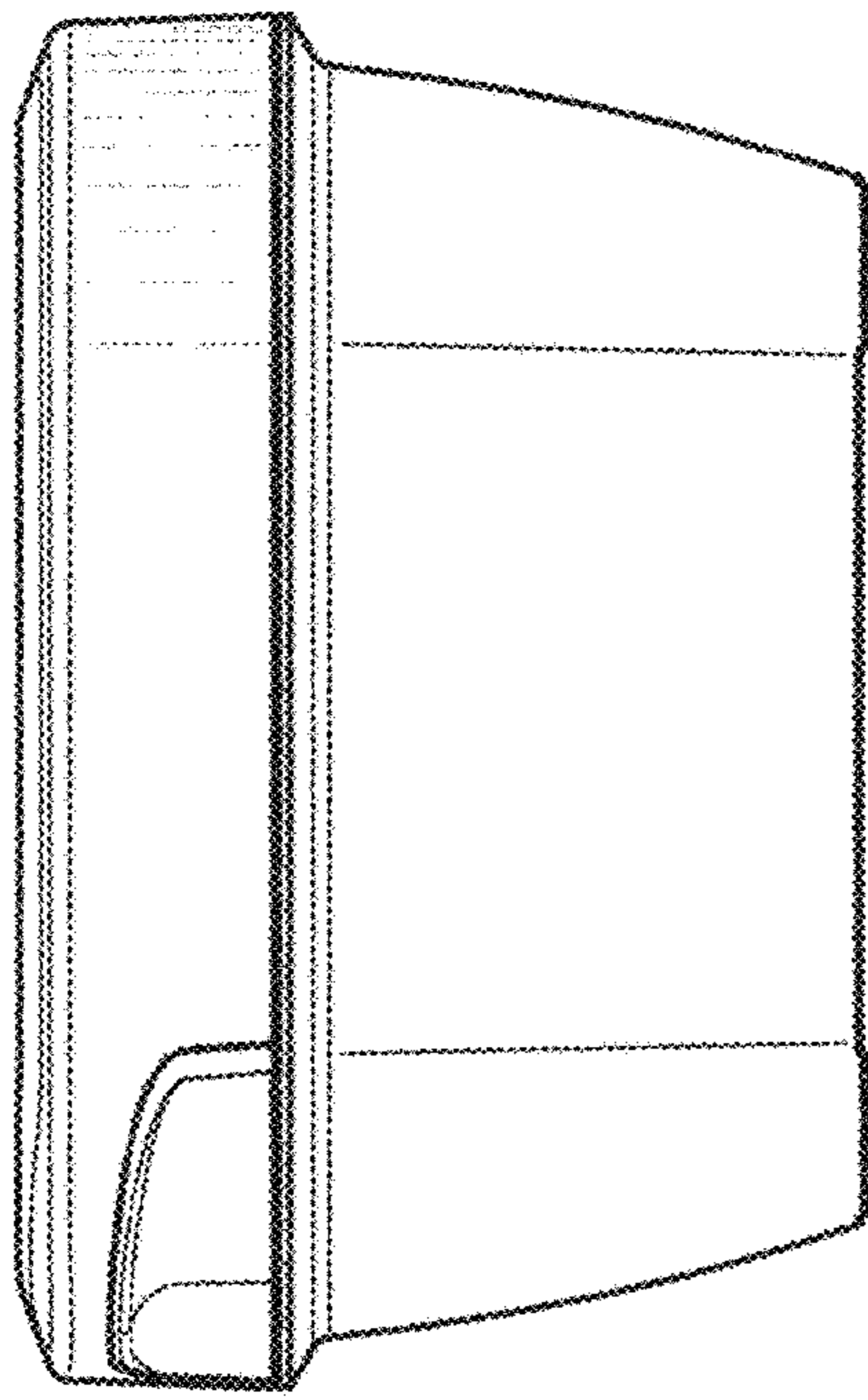


FIG. 38

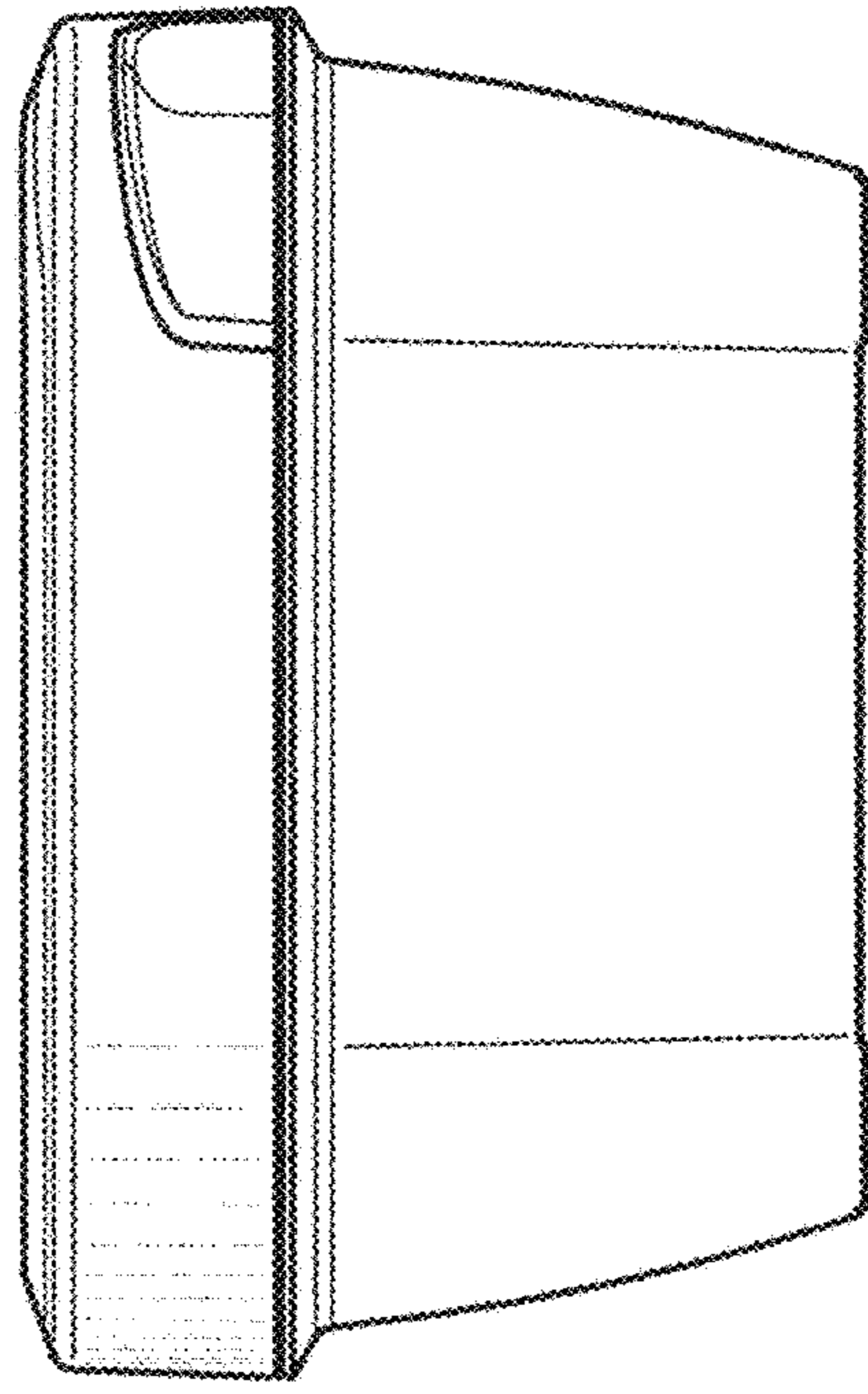


FIG. 39

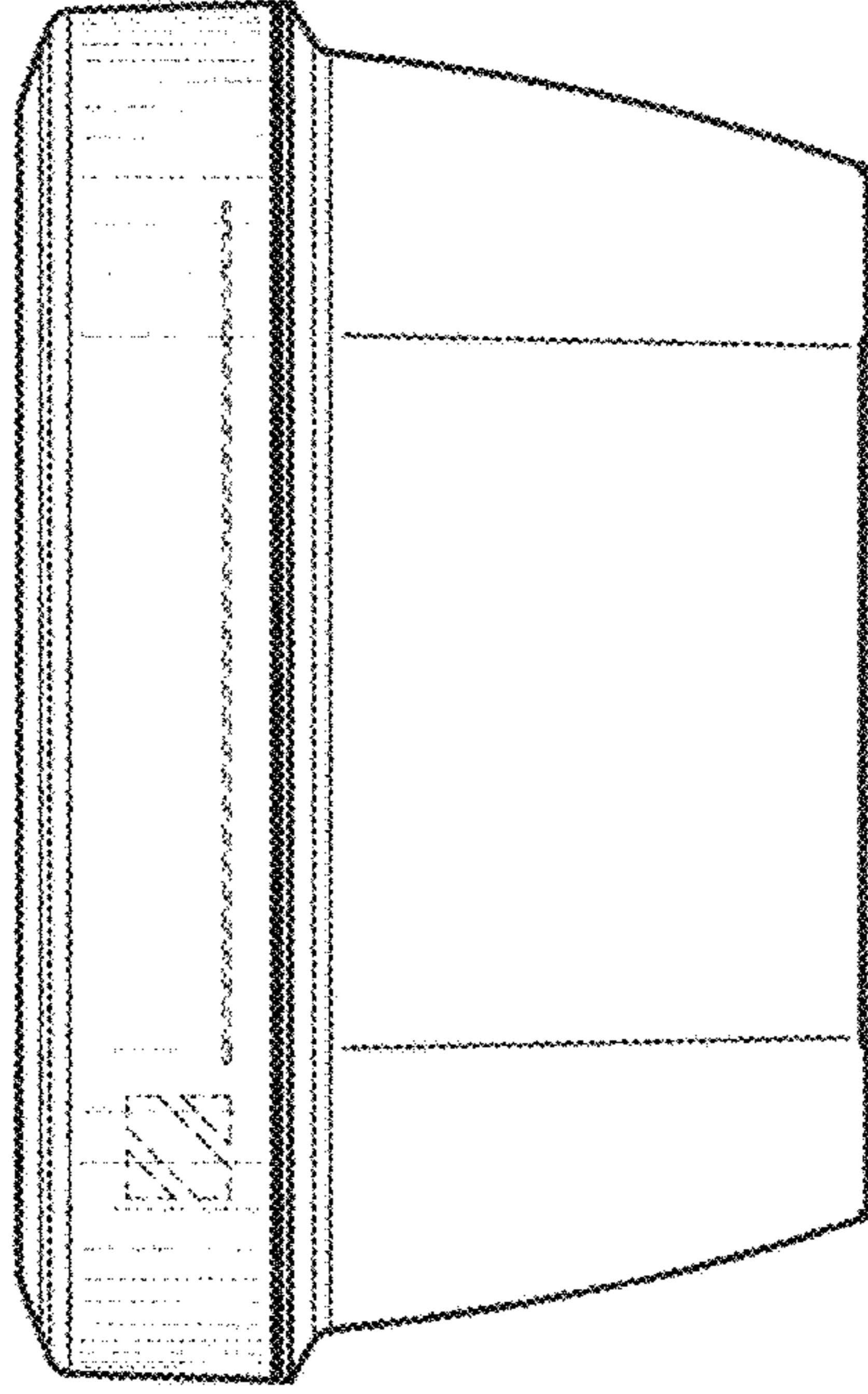


FIG. 40

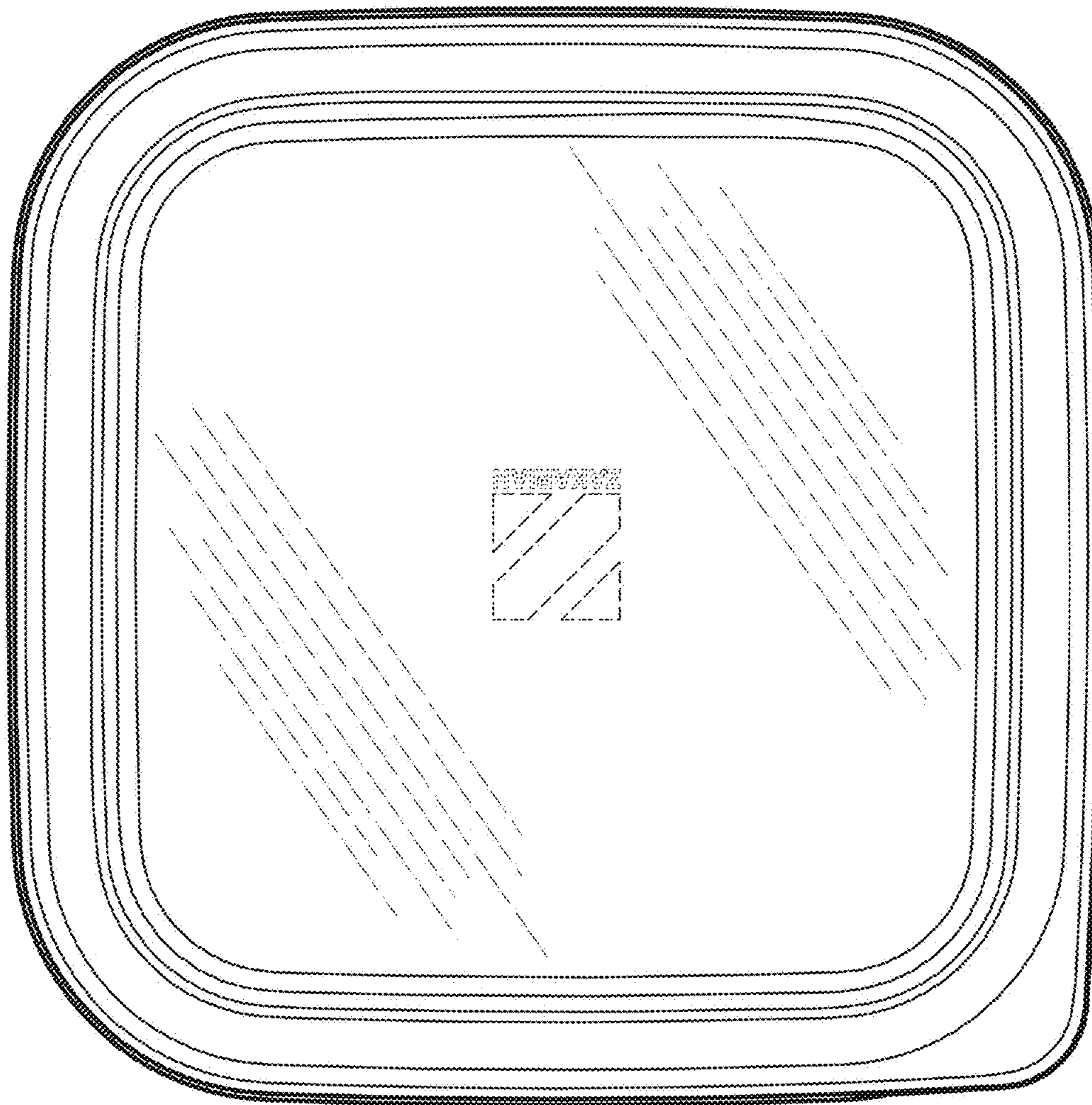


FIG. 41

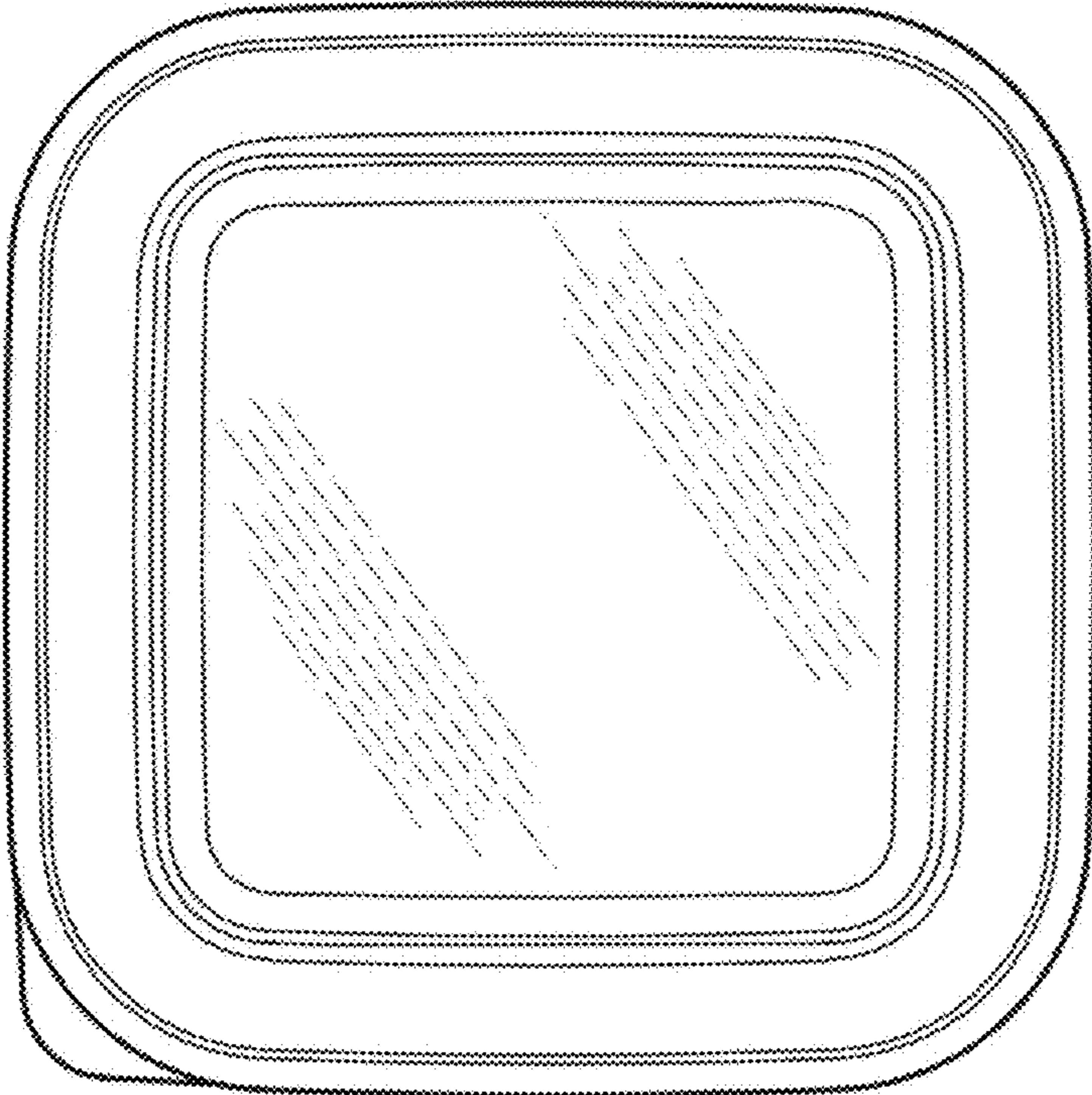


FIG. 42

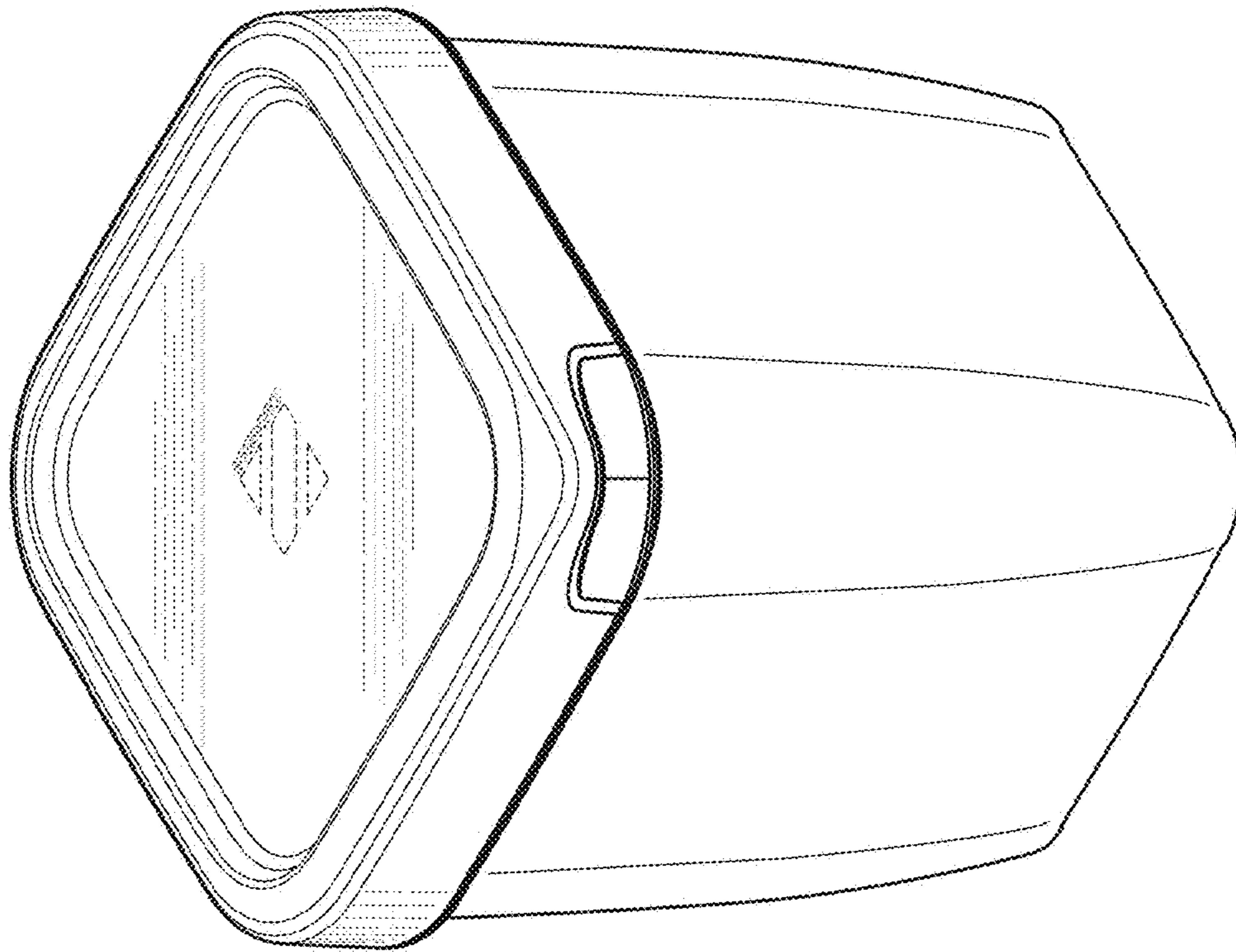


FIG. 43

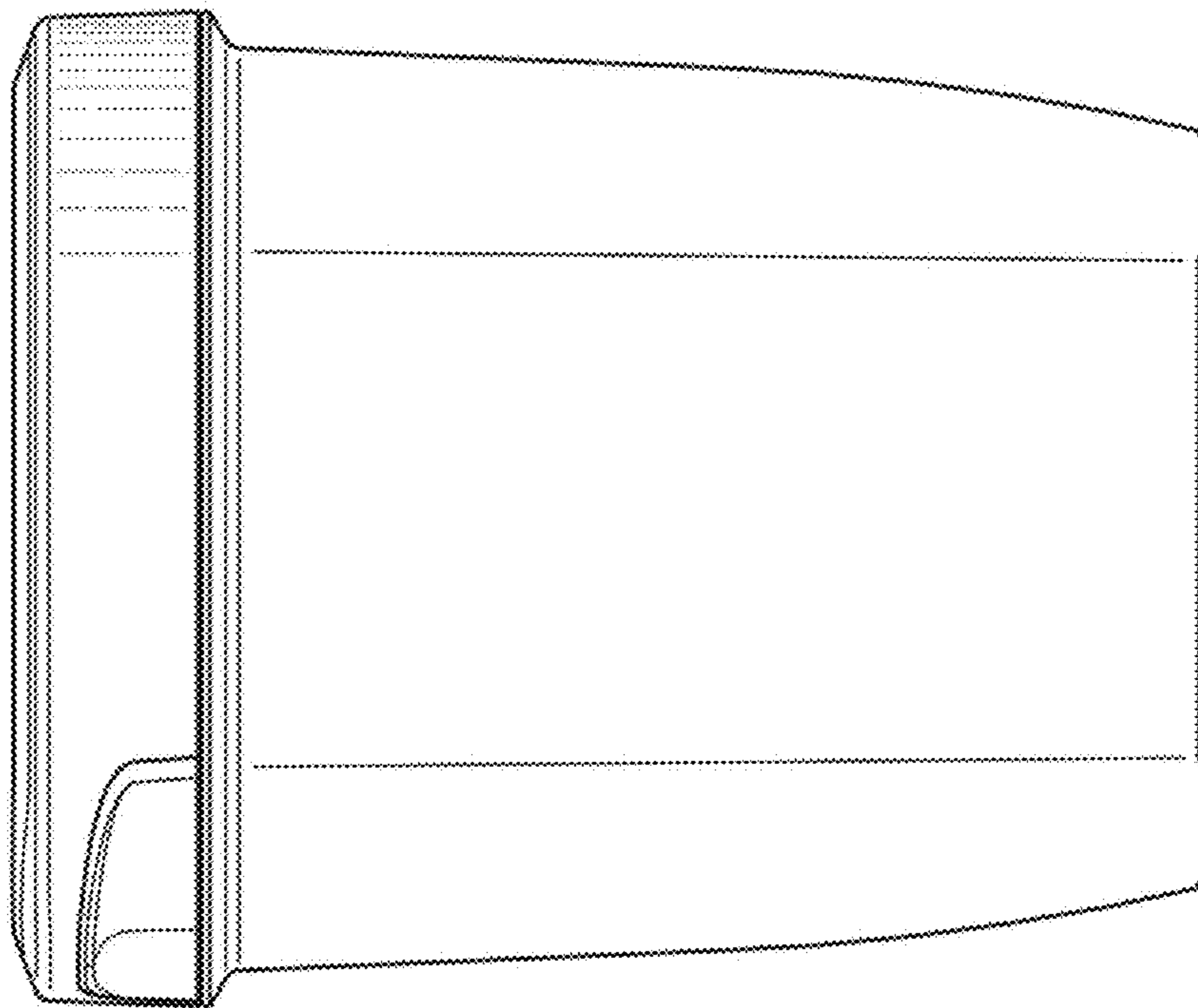


FIG. 44

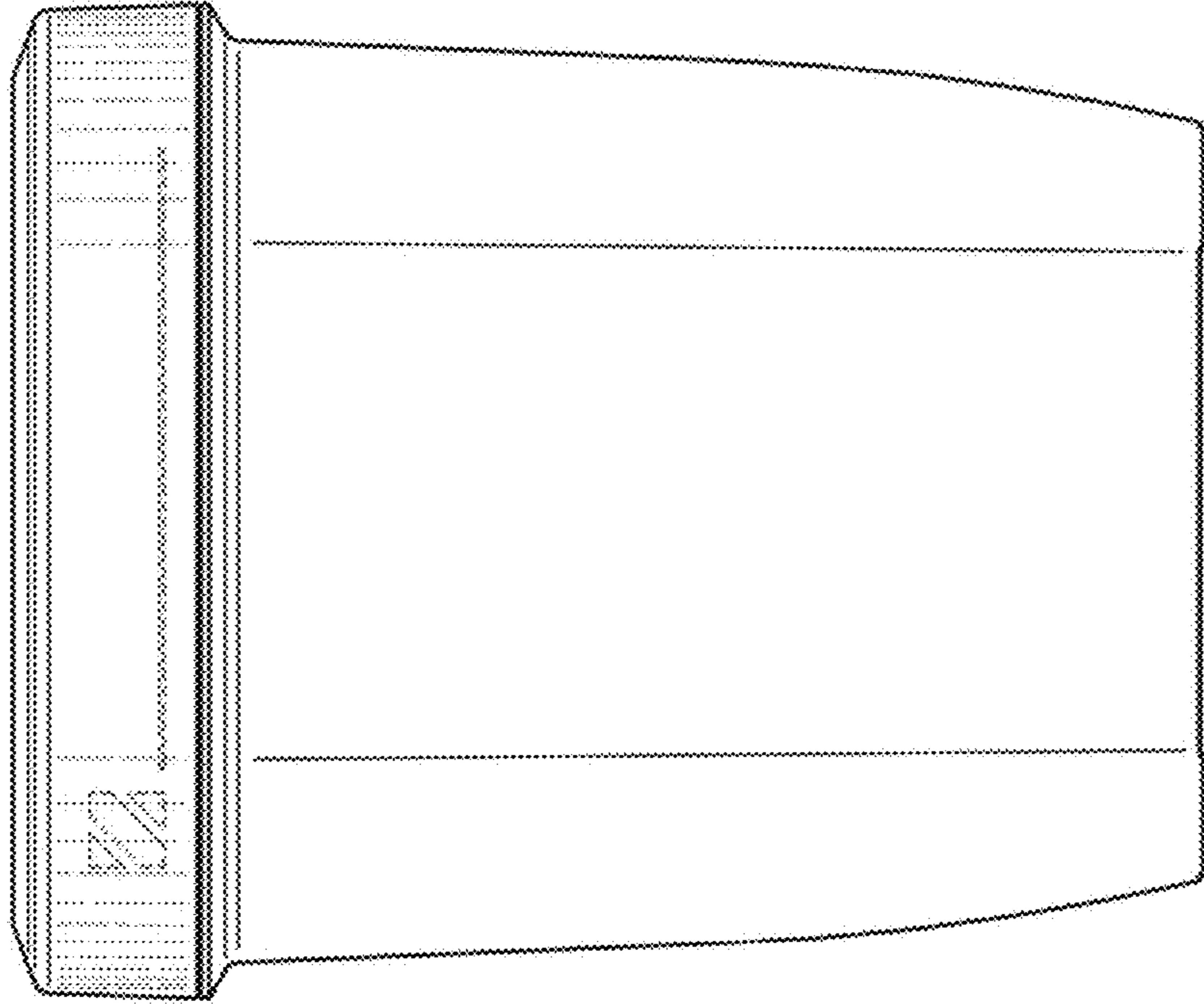


FIG. 45

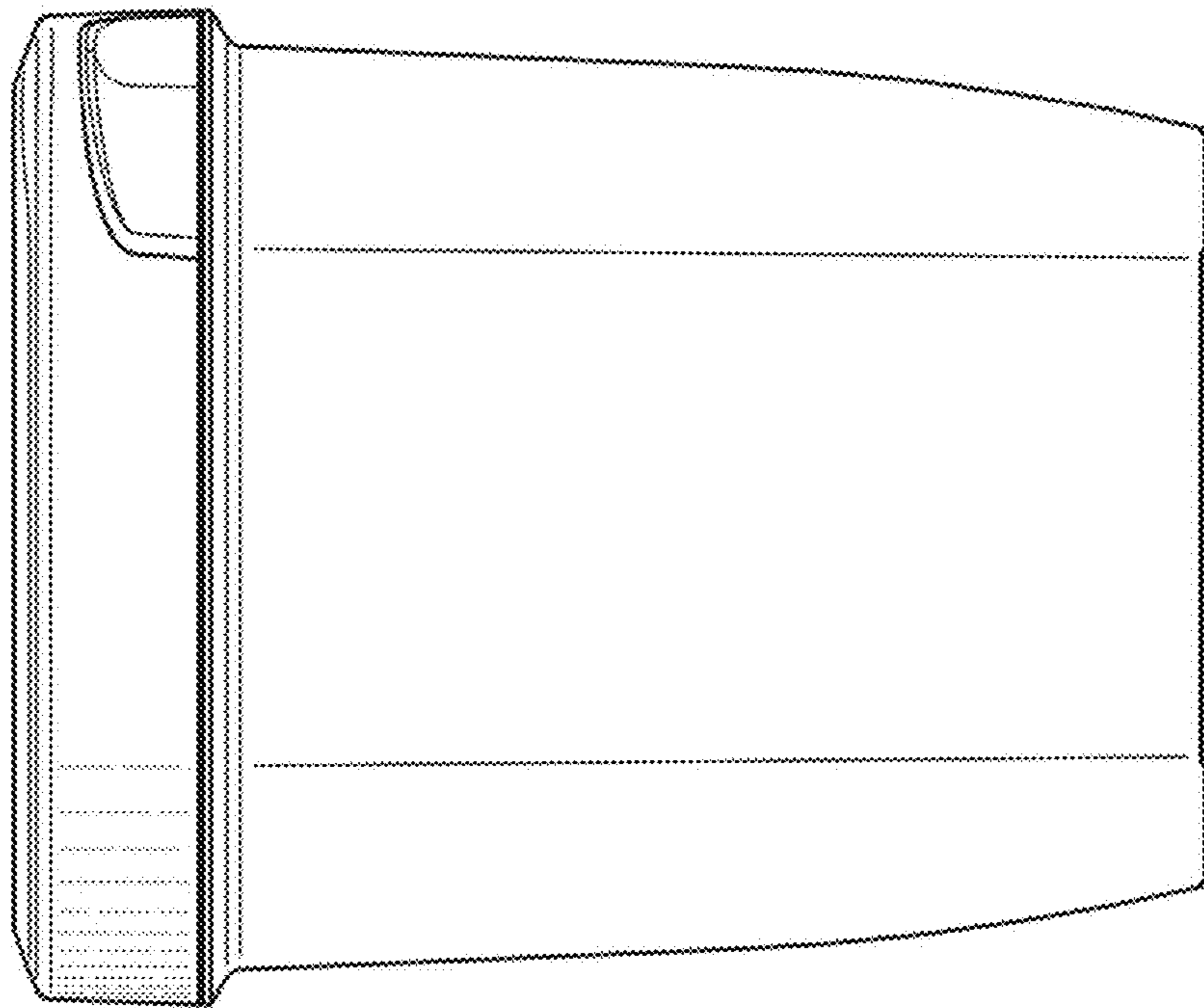


FIG. 46

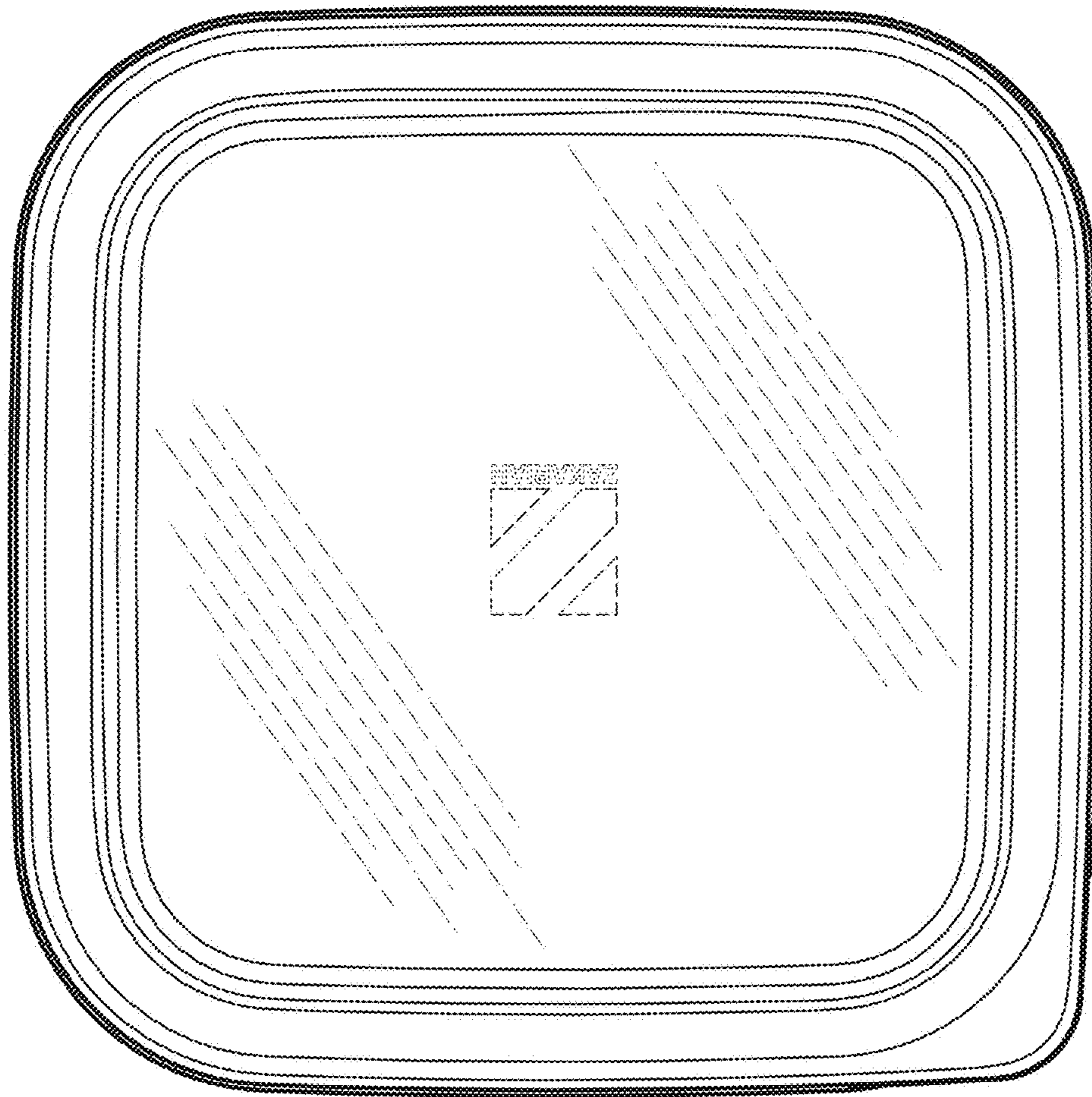


FIG. 47

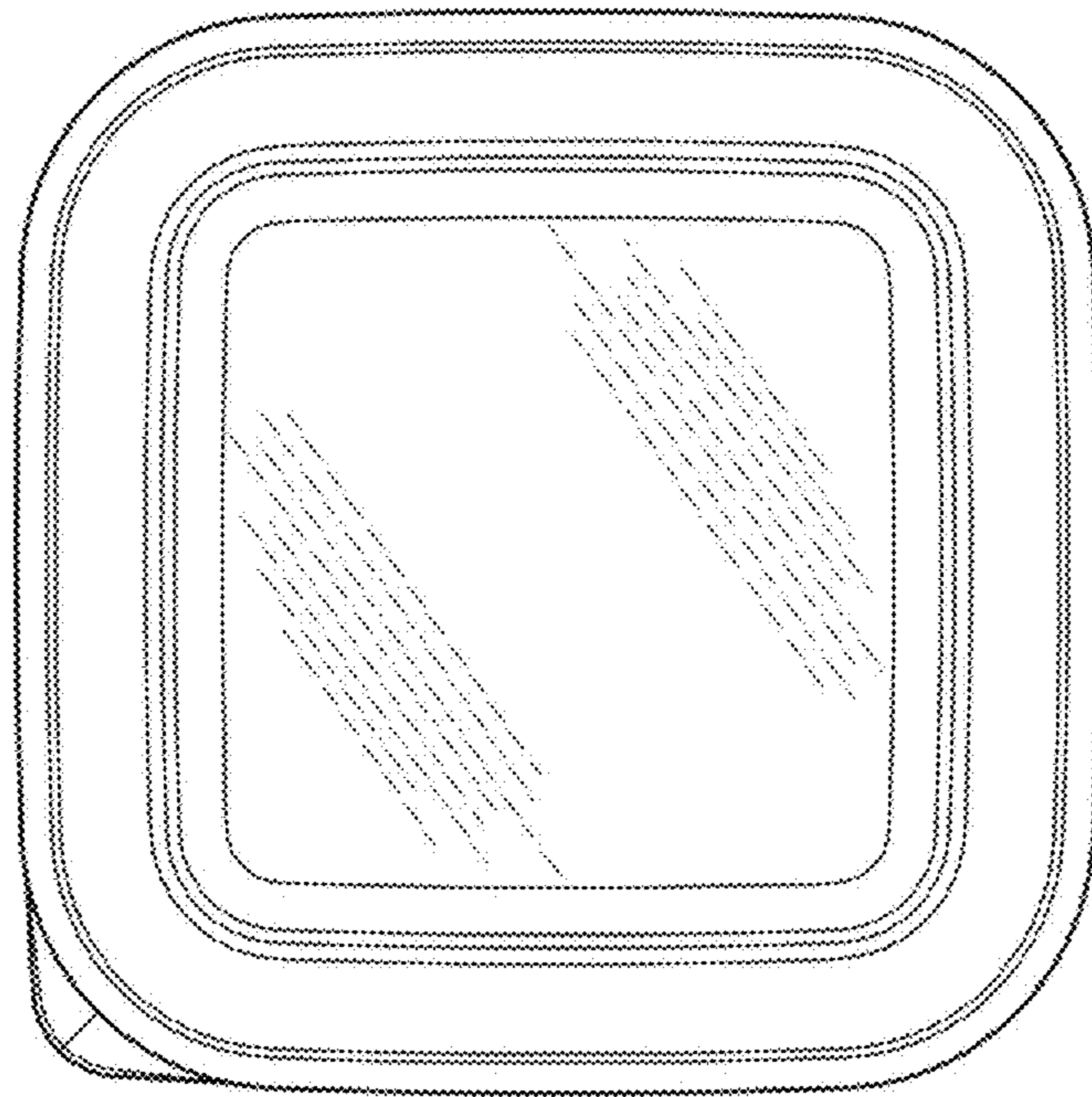


FIG. 48

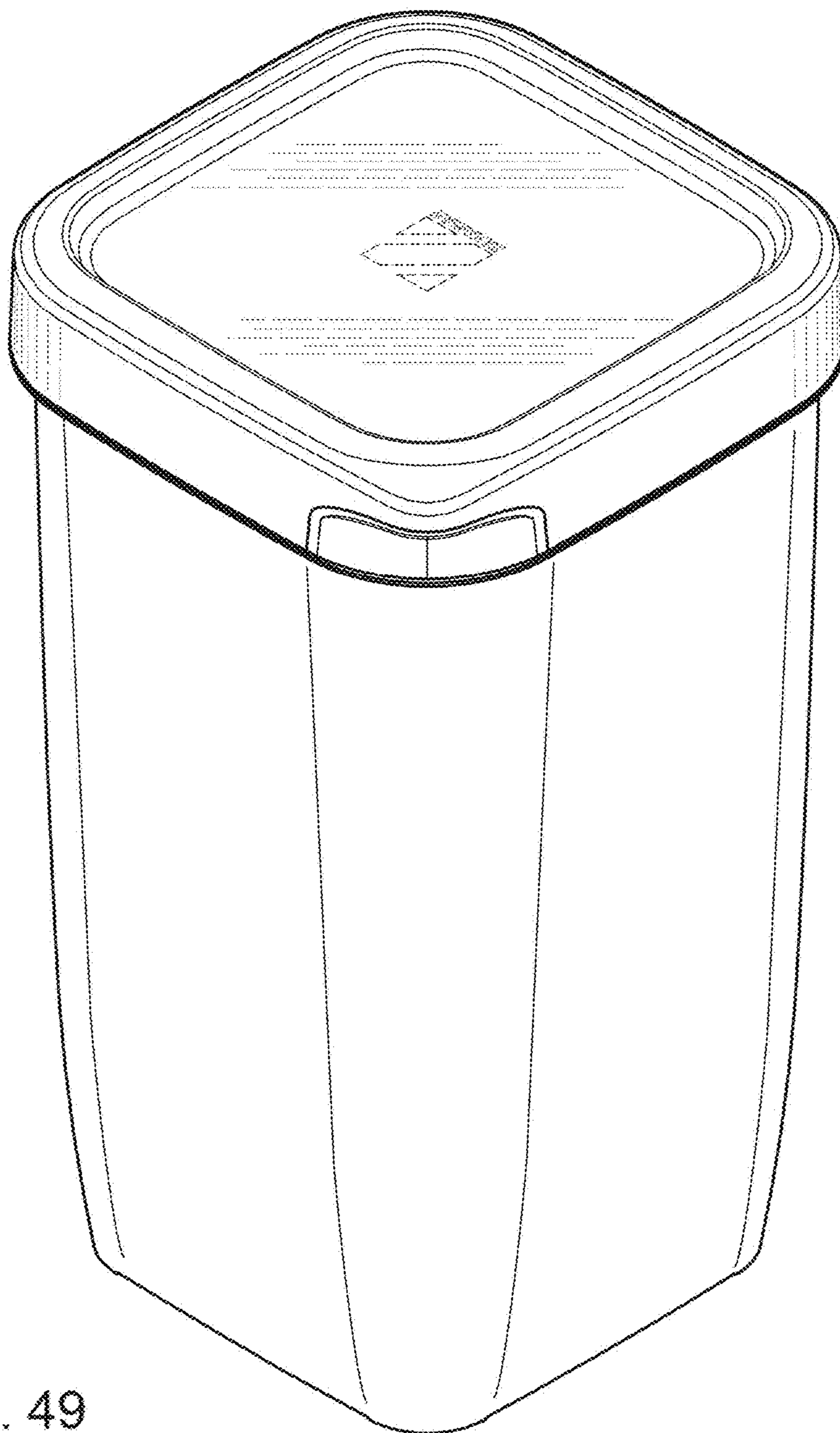


FIG. 49

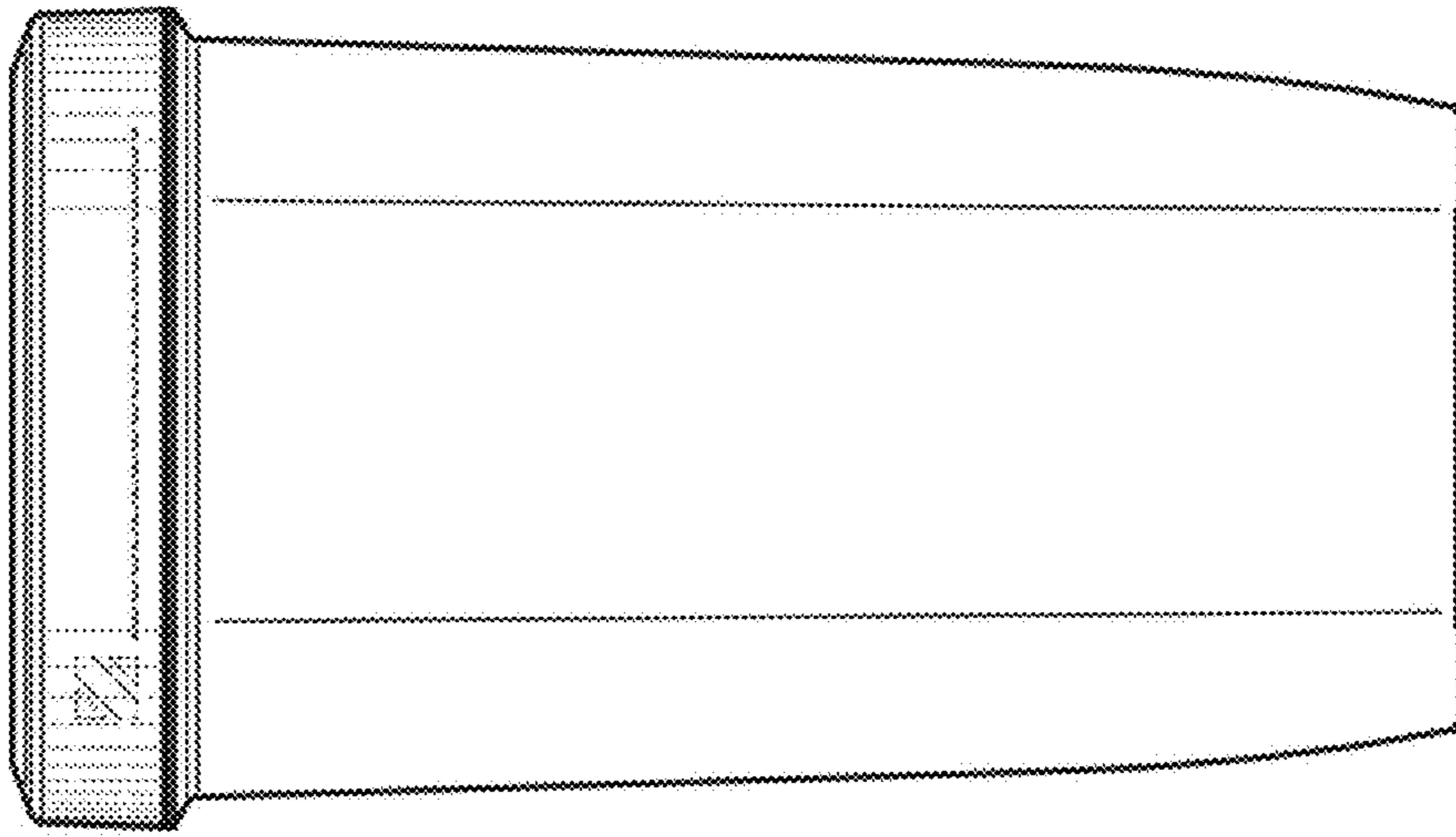


FIG. 50

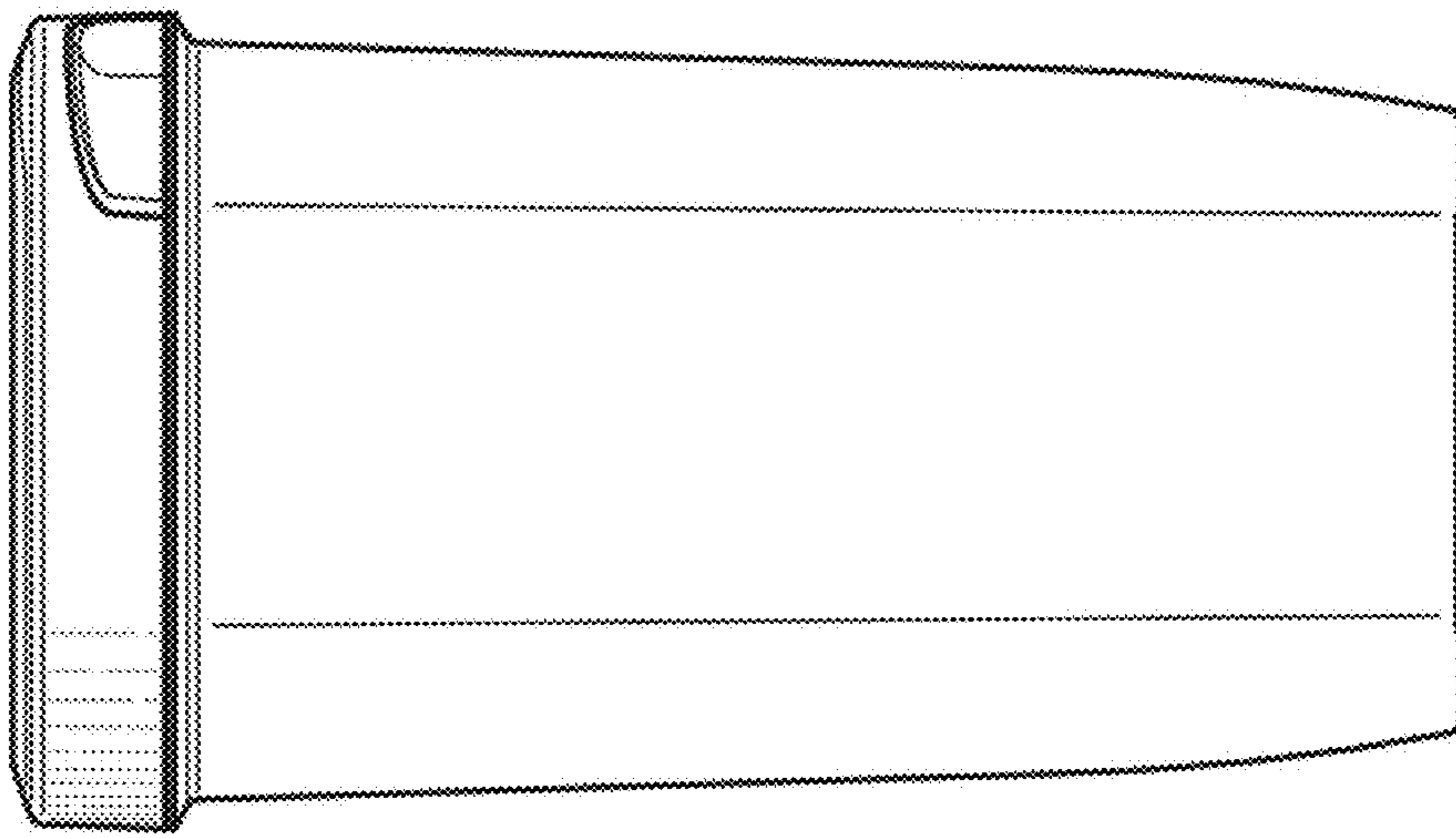


FIG. 51

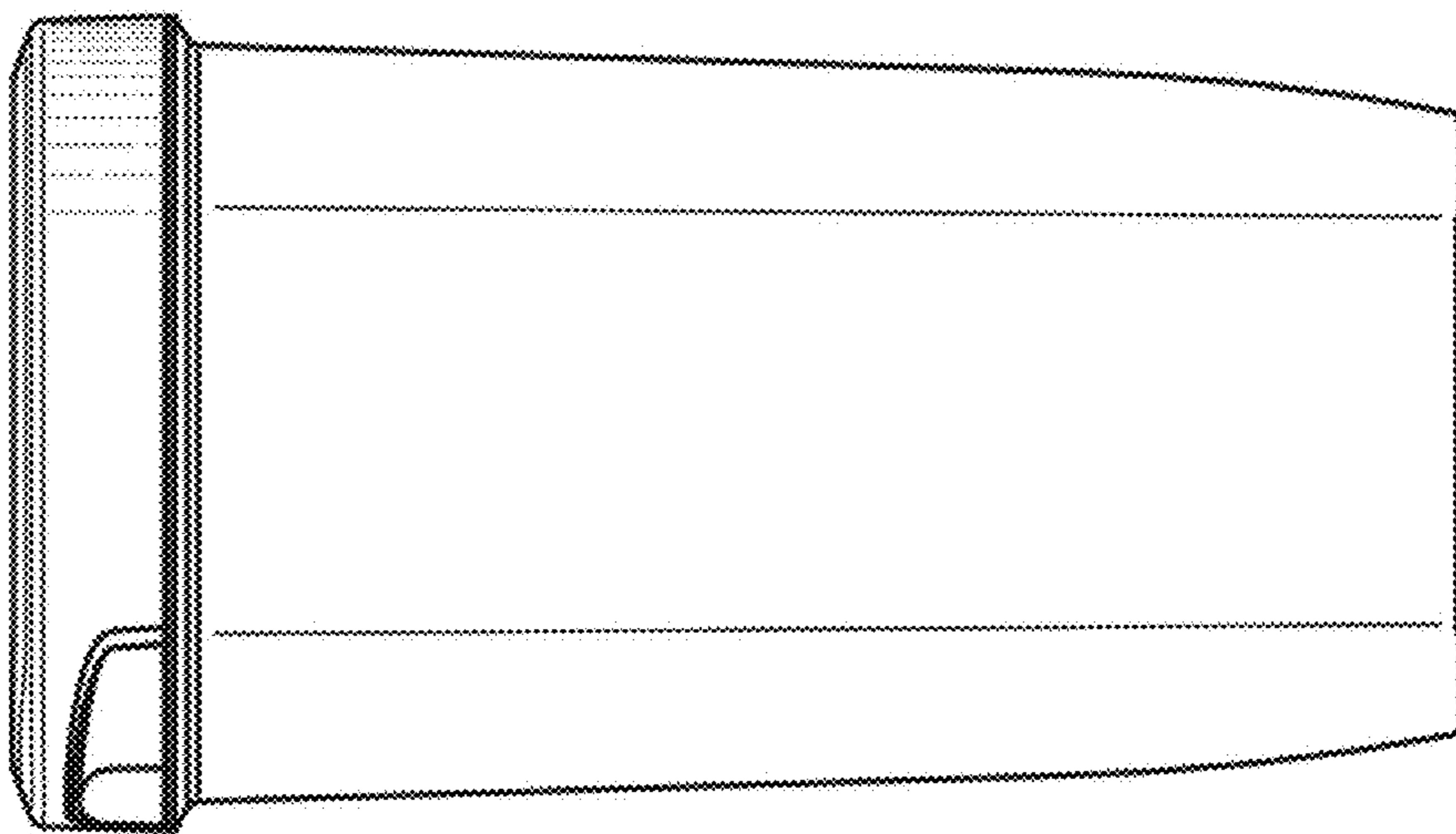


FIG. 52

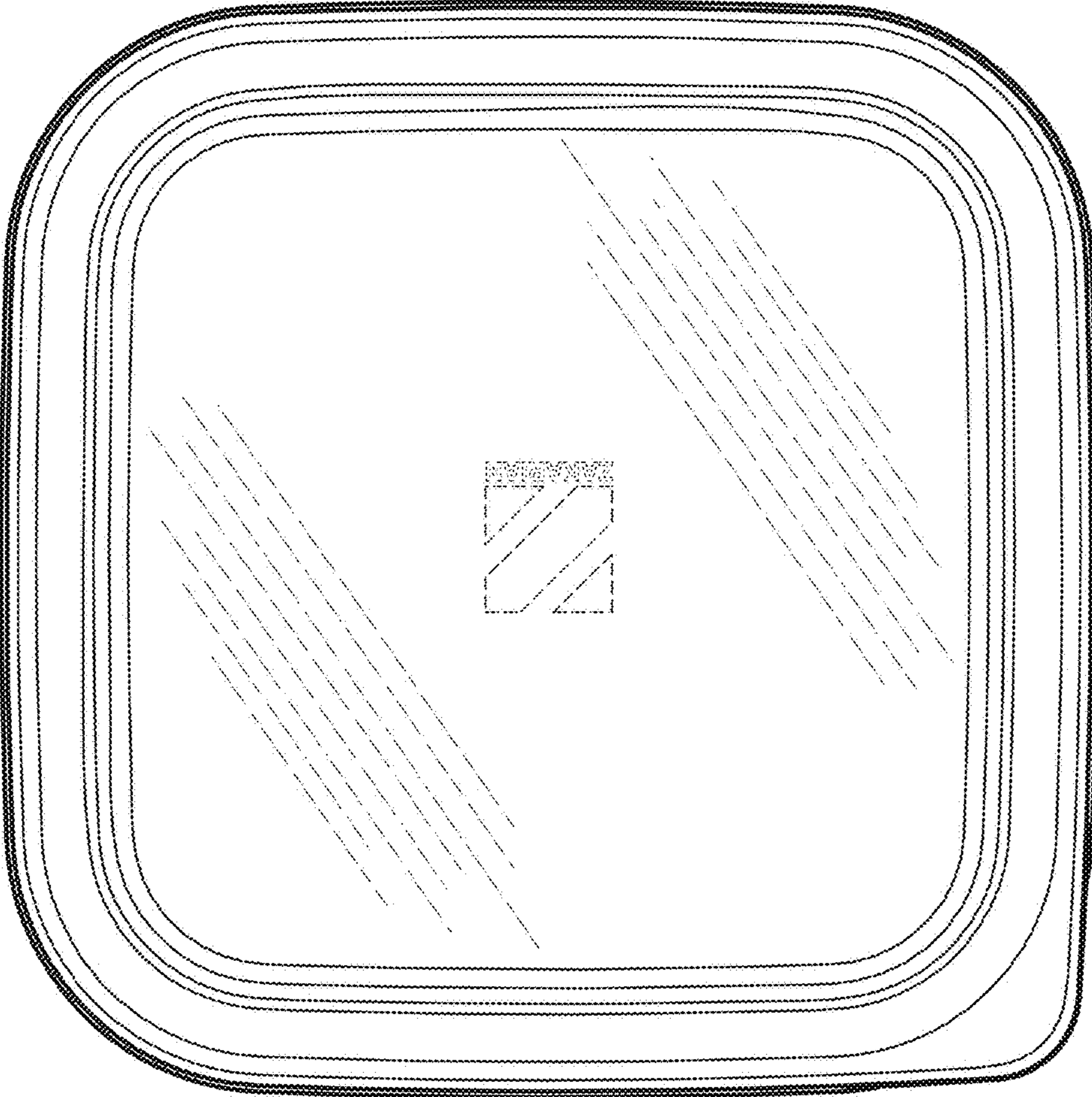


FIG. 53

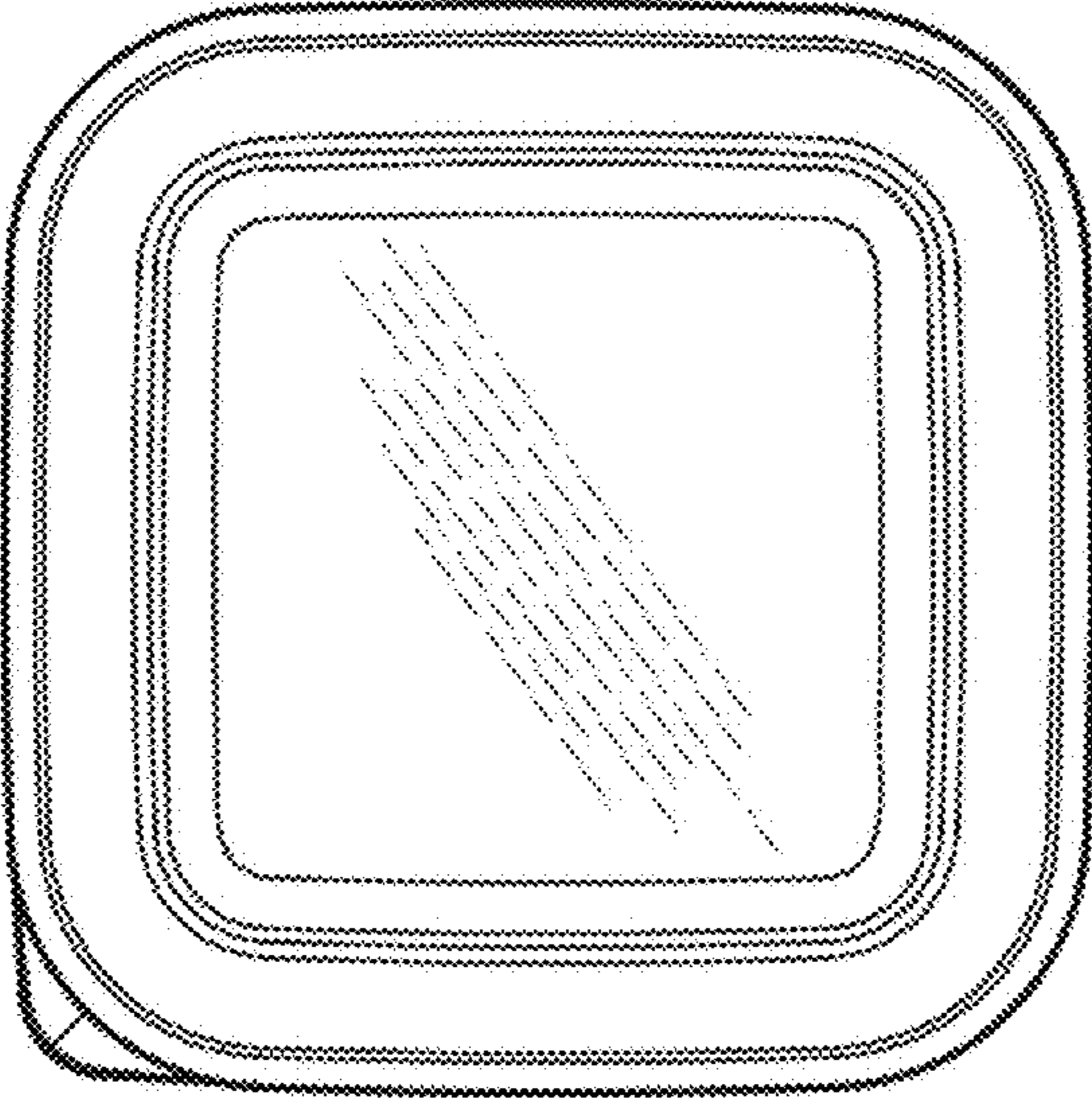


FIG. 54

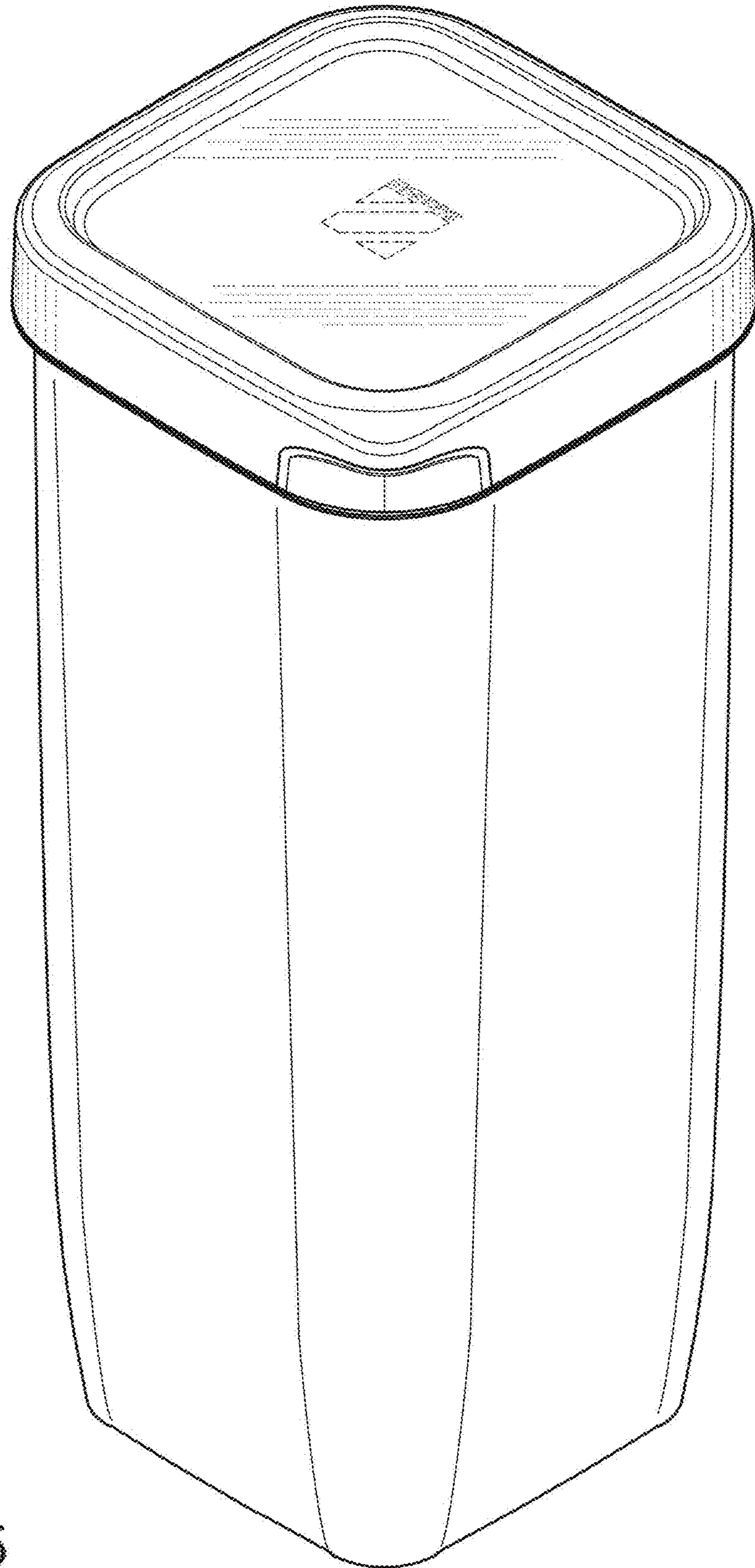


FIG. 55

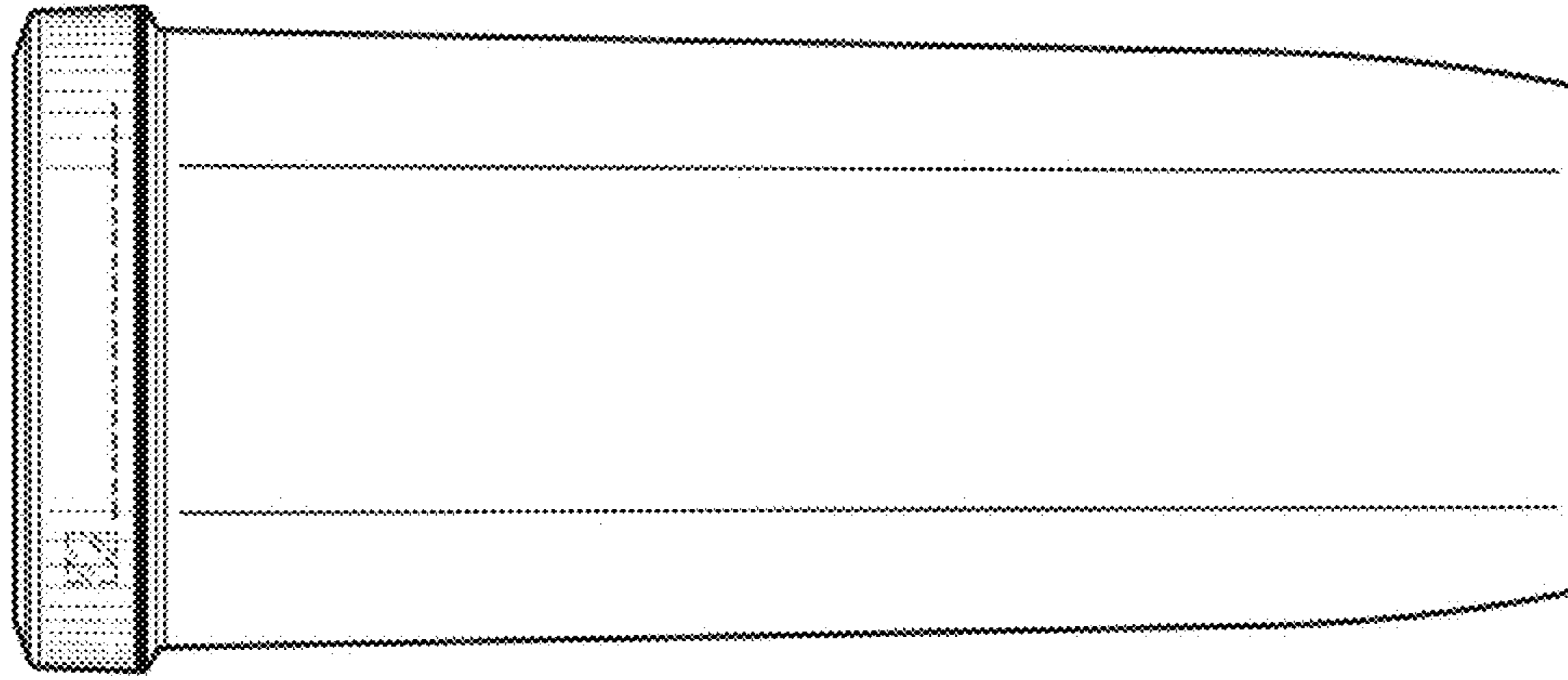


FIG. 58

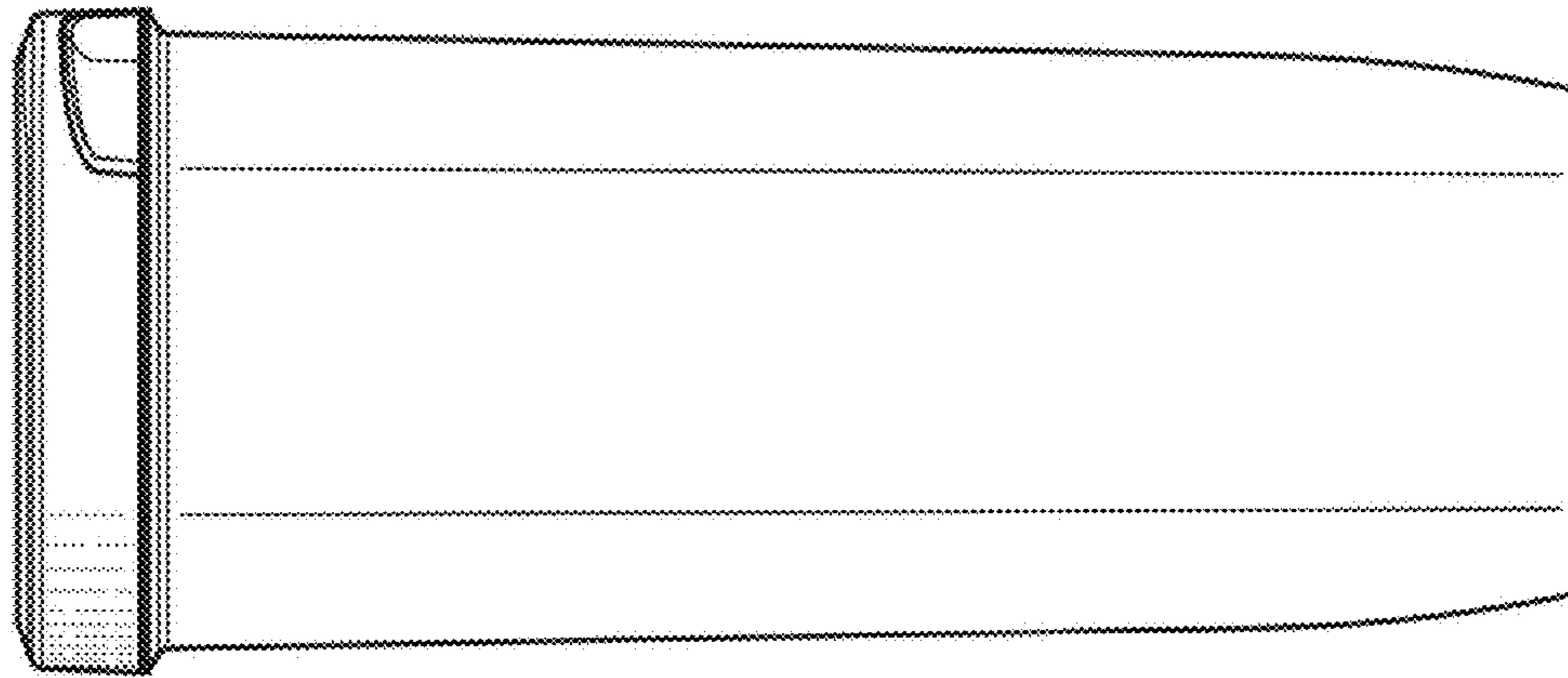


FIG. 57

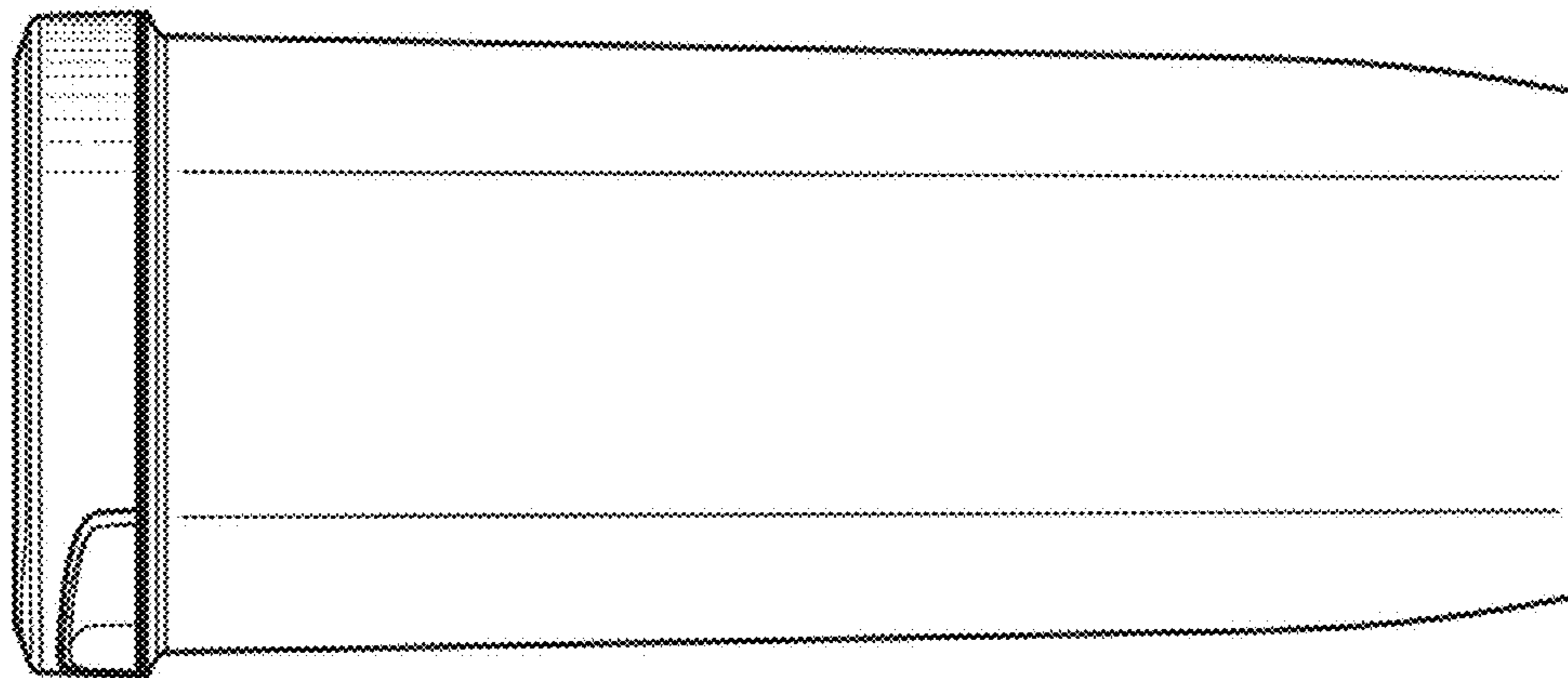


FIG. 56

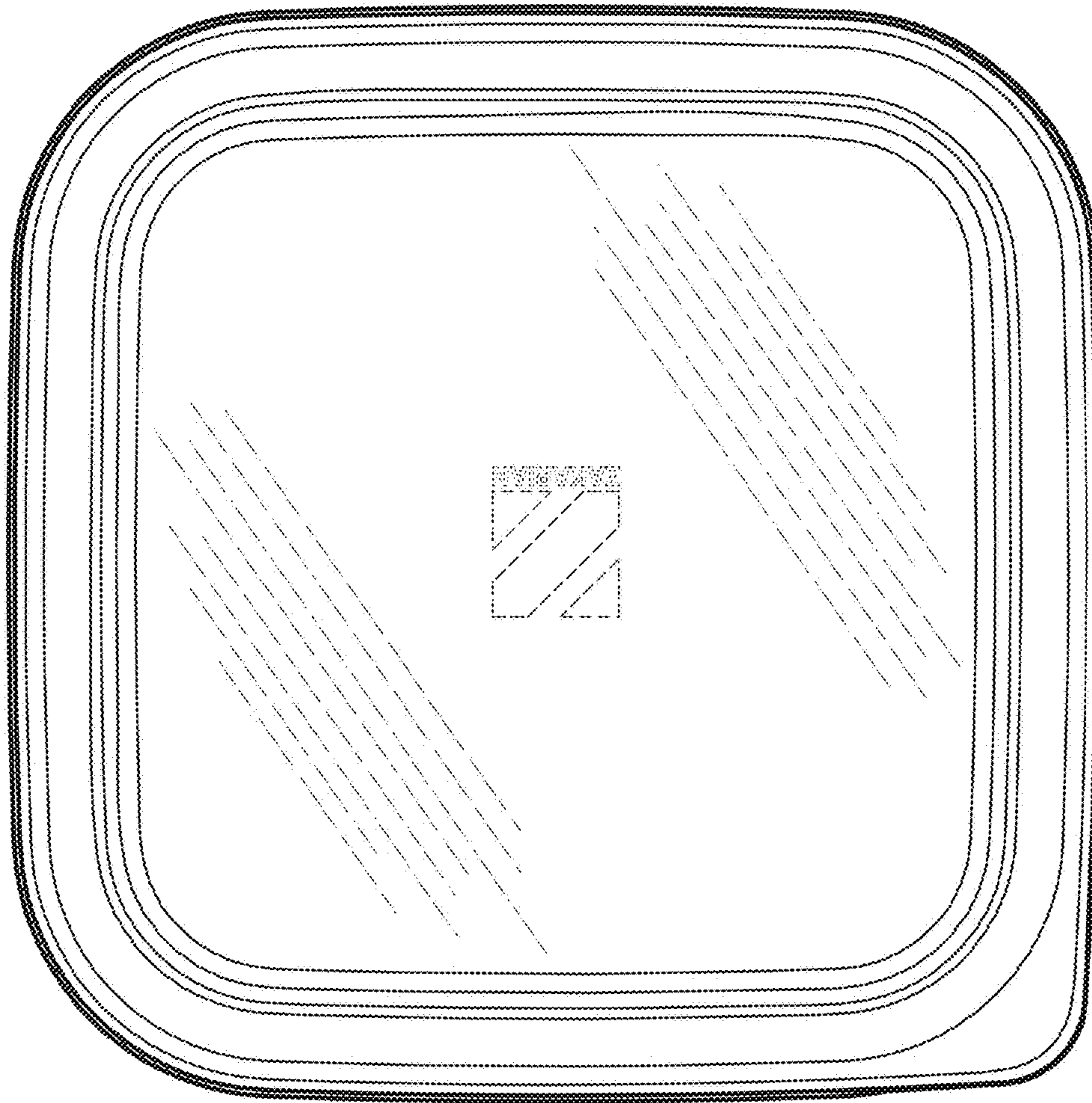


FIG. 59

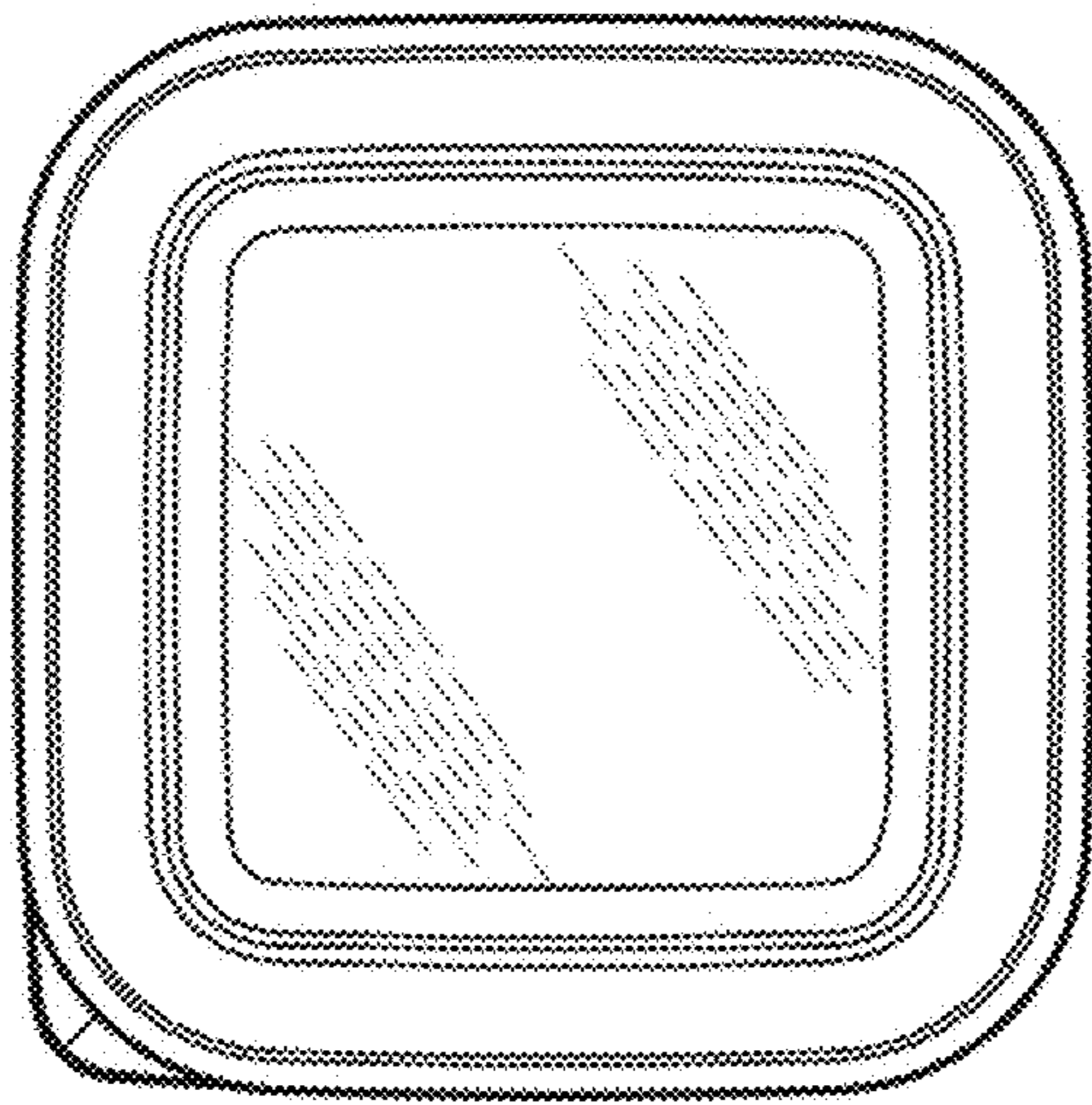


FIG. 60