



US00D850217S

(12) **United States Design Patent**  
**Kittel, III**

(10) **Patent No.: US D850,217 S**  
(45) **Date of Patent: \*\* Jun. 4, 2019**

- (54) **WHEELED COOLER**
- (71) Applicant: **Russel Harry Kittel, III**, Oakdale, NY (US)
- (72) Inventor: **Russel Harry Kittel, III**, Oakdale, NY (US)
- (\*\*) Term: **15 Years**

D674,245 S *	1/2013	Williams, Jr.	.....	D7/605
2005/0127081 A1 *	6/2005	Leba	.....	F25D 3/08 220/761
2007/0075508 A1 *	4/2007	Miller	.....	B62B 1/14 280/47.26
2015/0114024 A1 *	4/2015	Grepper	.....	F25D 23/00 62/320
2016/0187046 A1 *	6/2016	Chen	.....	A45C 11/20 62/239

\* cited by examiner

- (21) Appl. No.: **29/644,038**
- (22) Filed: **Apr. 13, 2018**
- (51) **LOC (11) Cl.** ..... **07-01**
- (52) **U.S. Cl.**  
USPC ..... **D7/605**
- (58) **Field of Classification Search**  
USPC ..... D7/603-607, 629, 630; D3/272-274,  
D3/203.1-203.8, 201, 202-206  
CPC .. A45C 11/20; A45C 9/00; A45C 5/14; A45C  
5/03; F25D 3/08; F25D 3/06; F25D 3/14;  
F25D 3/12; F25D 2331/804; A47B 77/08;  
F25B 19/00; A47J 41/022; A47G  
19/2288; B26B 1/14; B26B 2204/06  
See application file for complete search history.

*Primary Examiner* — Terry A Wallace  
(74) *Attorney, Agent, or Firm* — Dunlap Bennett & Ludwig PLLC; Brendan E. Squire

(57) **CLAIM**

The ornamental design for a wheeled cooler, as shown and described.

**DESCRIPTION**

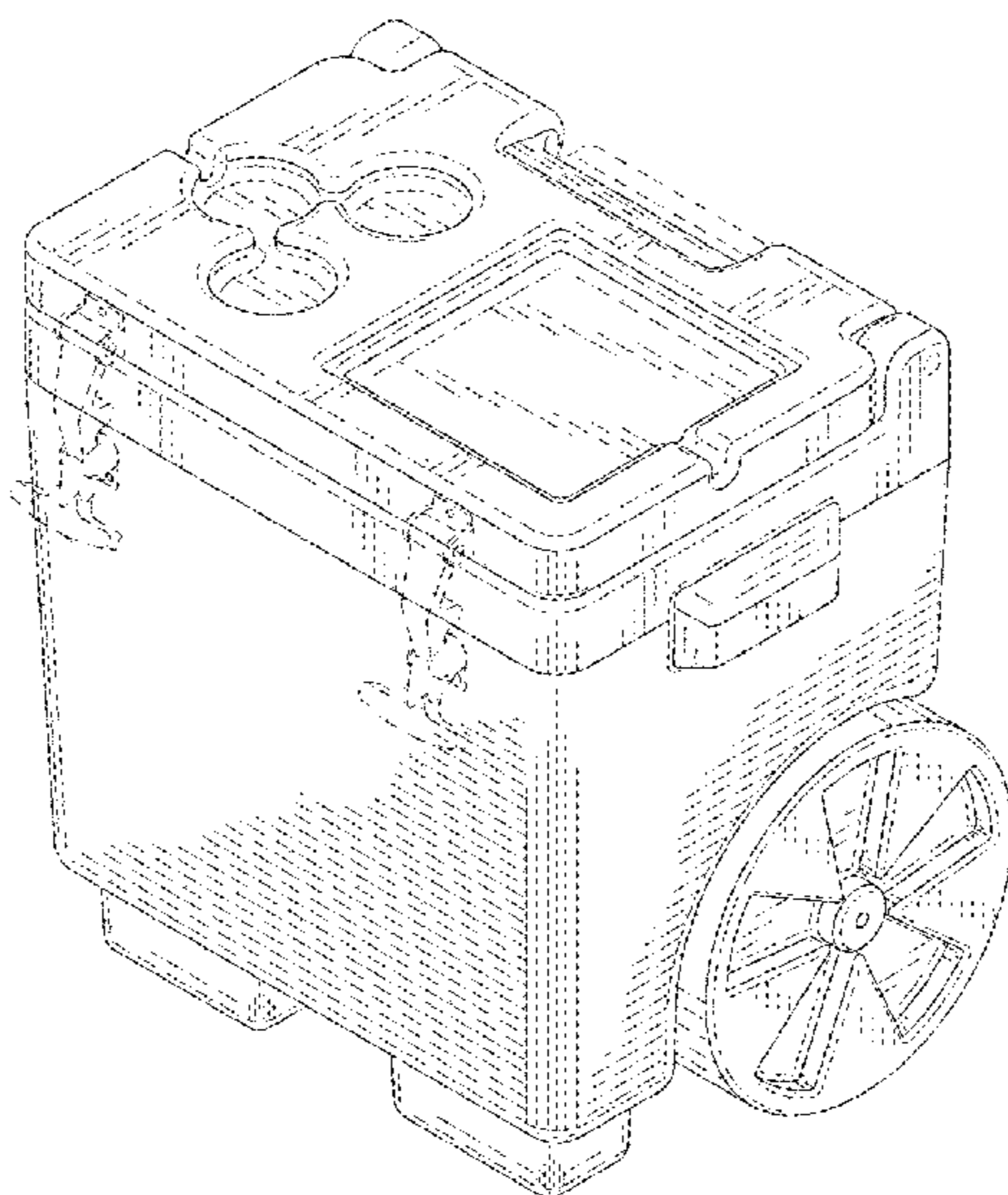
FIG. 1 is a top front perspective view wheeled cooler showing my new design;  
 FIG. 2 is a front elevation view thereof;  
 FIG. 3 is a rear elevation view thereof;  
 FIG. 4 is a right elevation view thereof;  
 FIG. 5 is a left elevation view thereof;  
 FIG. 6 is a top plan view thereof;  
 FIG. 7 is a bottom plan view thereof;  
 FIG. 8 is a top front perspective view thereof with the lid open;  
 FIG. 9 is a top front perspective view thereof with the handle extended;  
 FIG. 10 is a top front perspective view thereof with the lid open, showing the interior; and,  
 FIG. 11 is a section view of the invention, taken along line 11-11 in FIG. 6.  
 The broken lines shown in the drawings illustrate portions of the wheeled cooler that form no part of the claimed design.

(56) **References Cited**

U.S. PATENT DOCUMENTS

5,683,097 A *	11/1997	Fenton	.....	A45C 5/14 280/47.26
D416,447 S *	11/1999	Levy	.....	D7/605
6,182,462 B1 *	2/2001	Bania	.....	A45C 11/20 62/264
D494,021 S *	8/2004	Huthmaker	.....	D7/605
D527,225 S *	8/2006	Krieger	.....	D7/605
D528,368 S *	9/2006	Maldonado	.....	D7/605
D566,479 S *	4/2008	Kabalin	.....	D3/273
D613,560 S *	4/2010	Robichaud	.....	D7/605

**1 Claim, 6 Drawing Sheets**



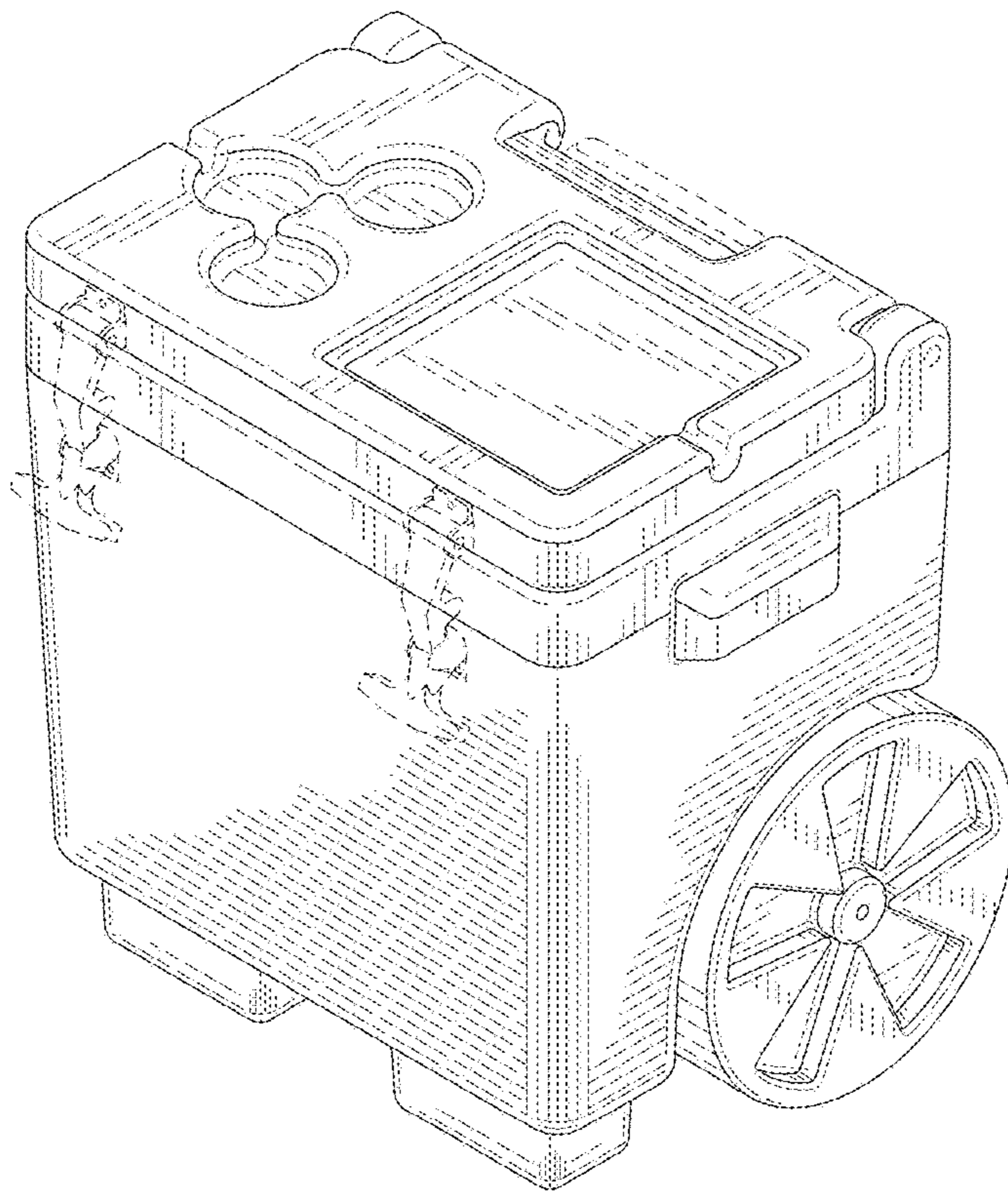


FIG.1

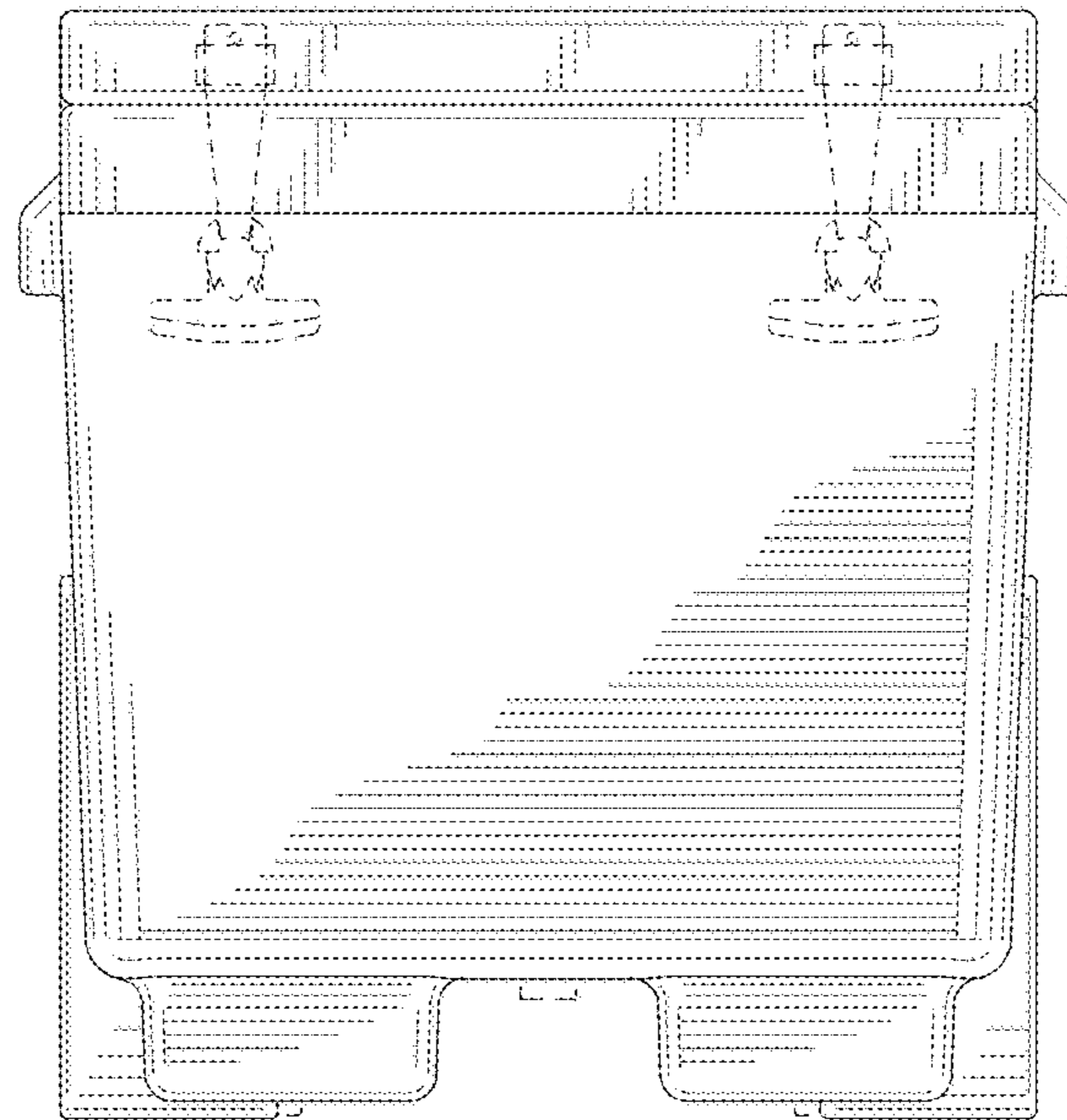


FIG. 2

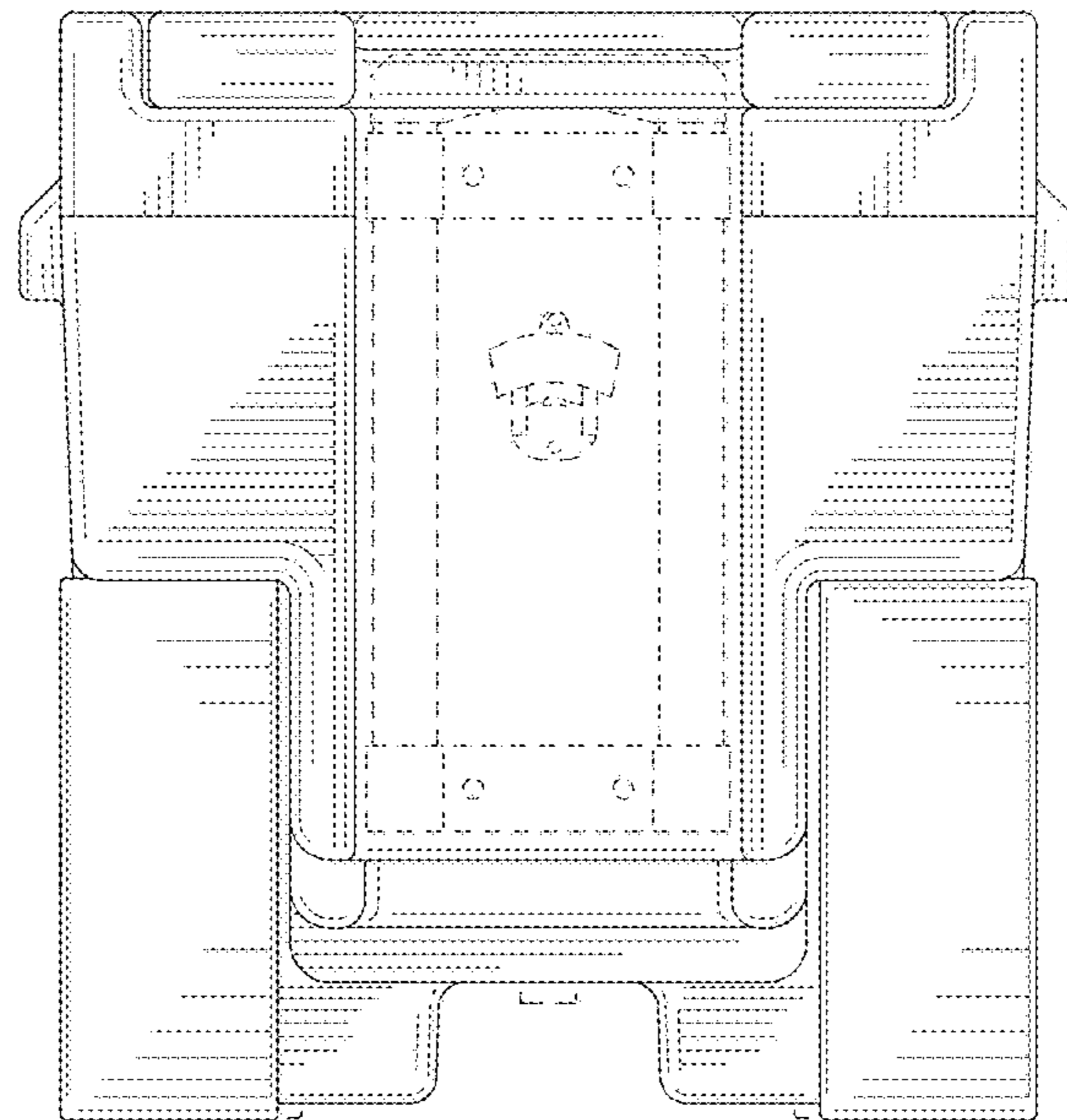


FIG. 3

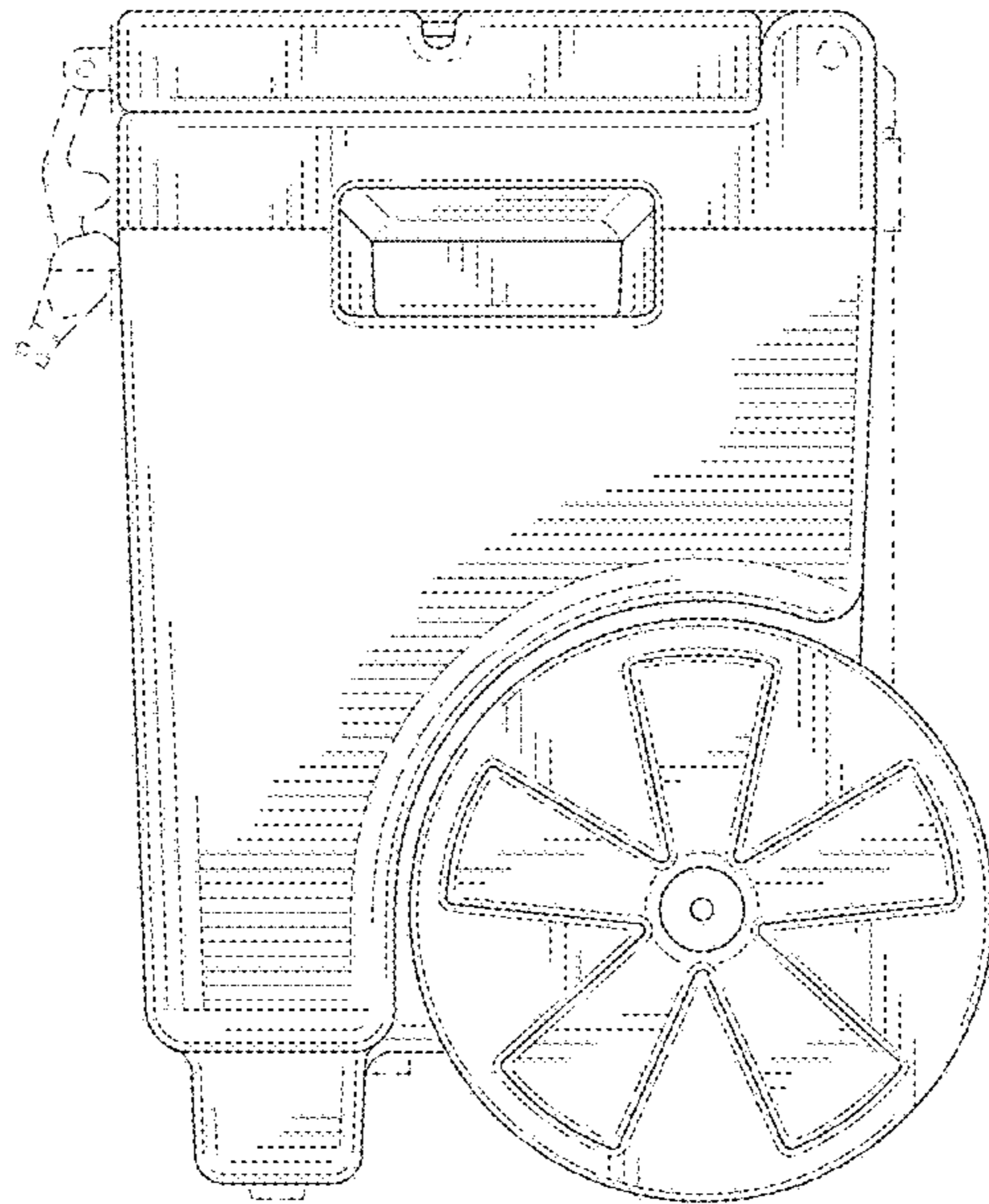


FIG. 4

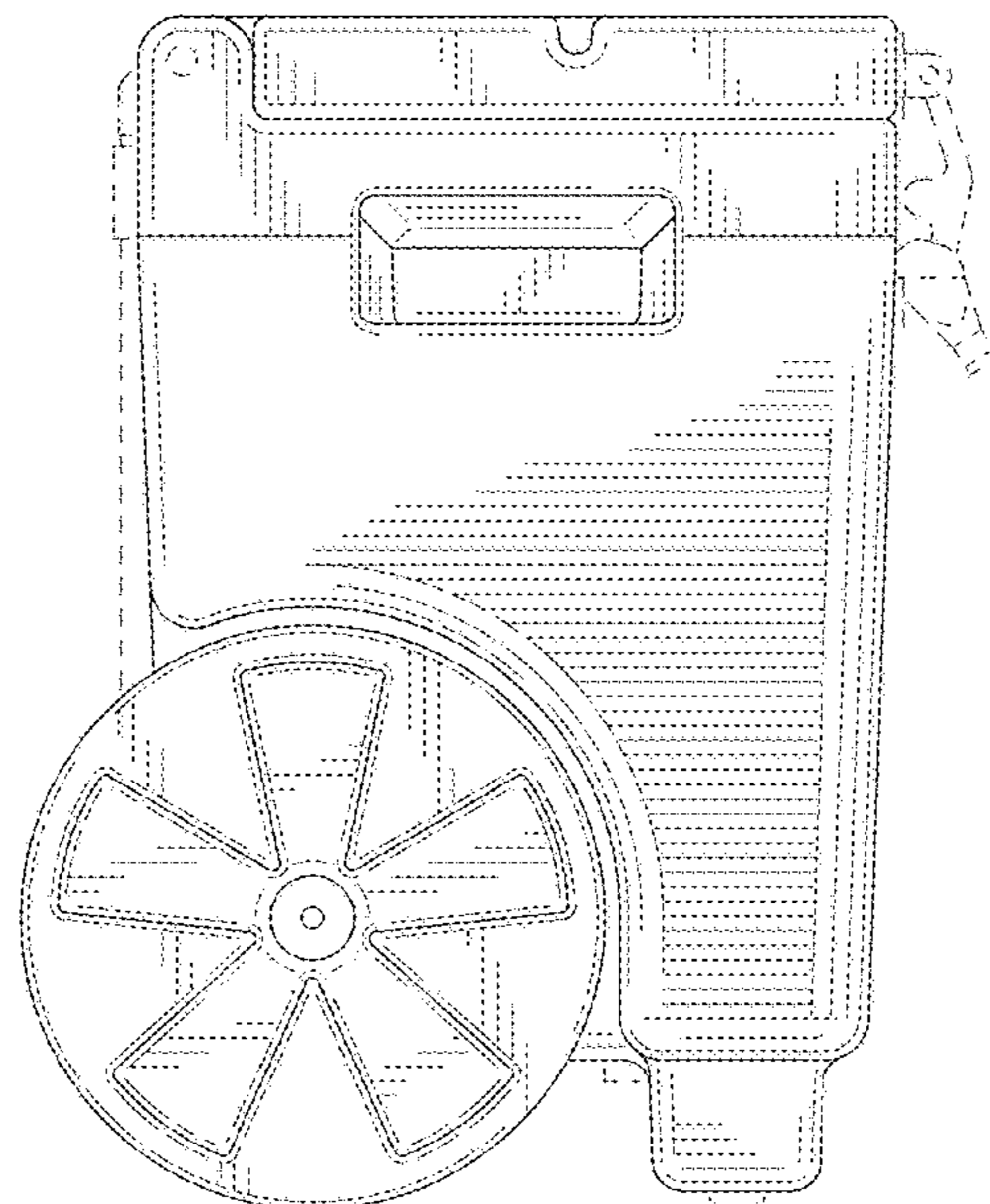


FIG. 5

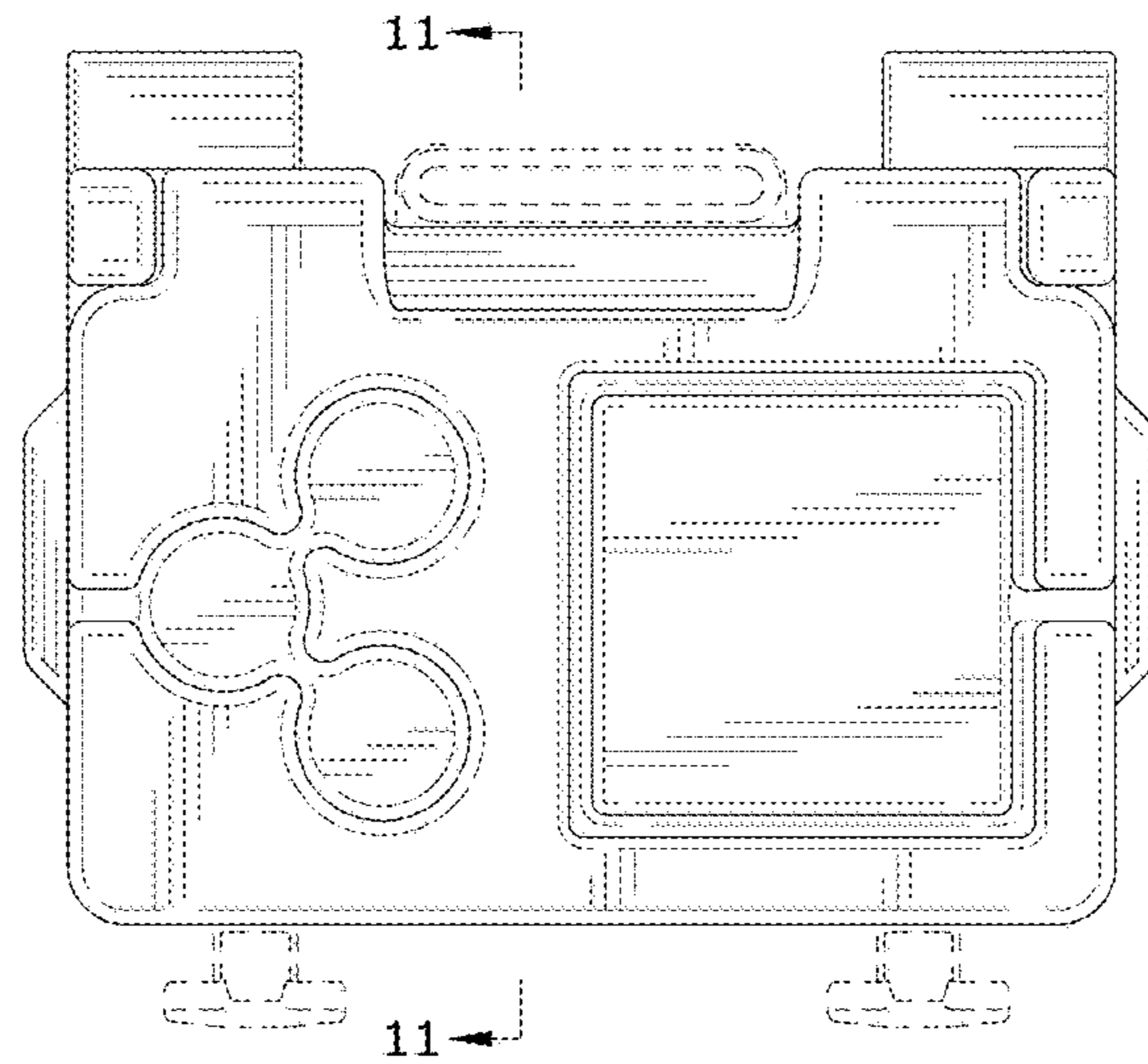


FIG. 6

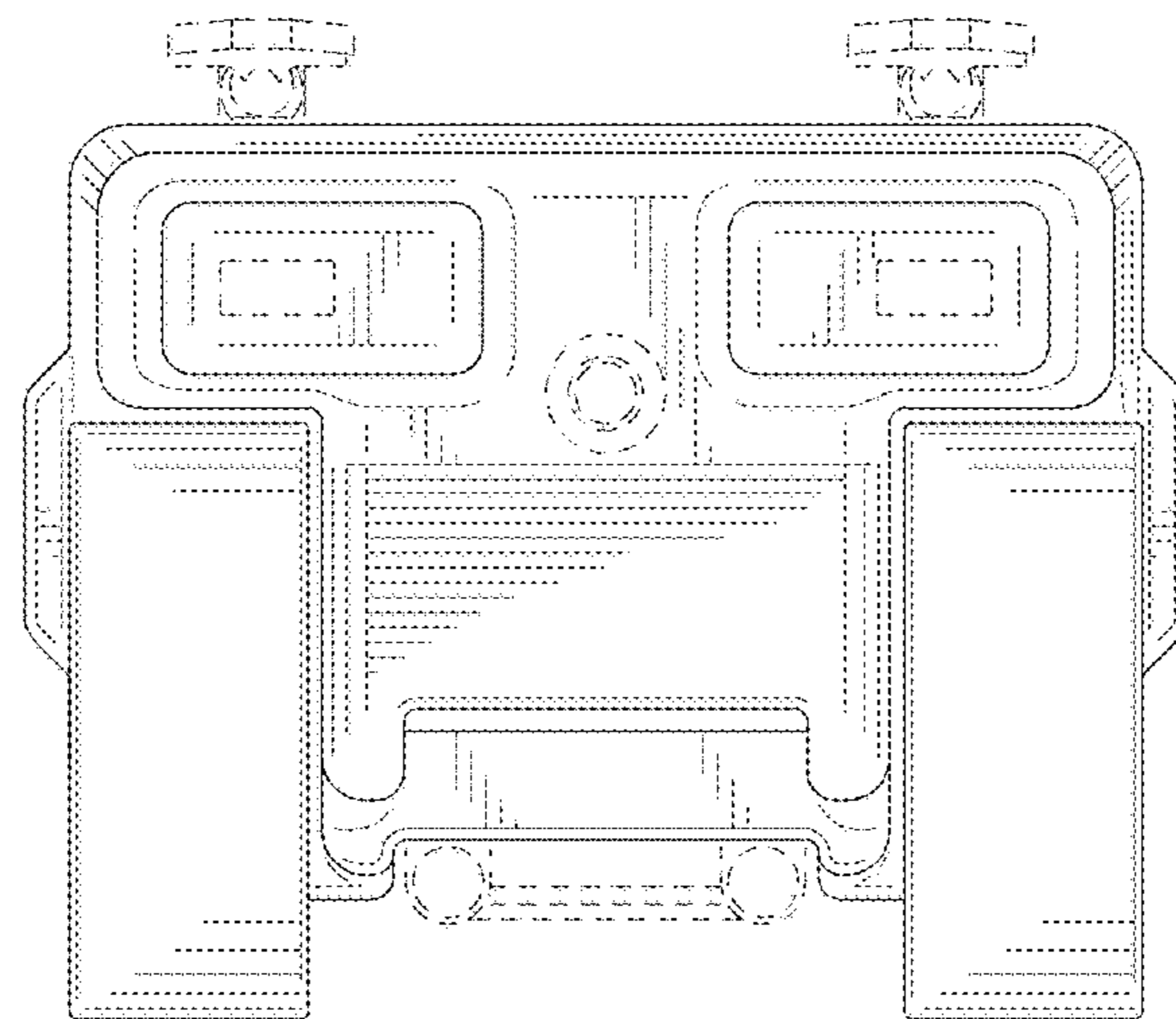


FIG. 7

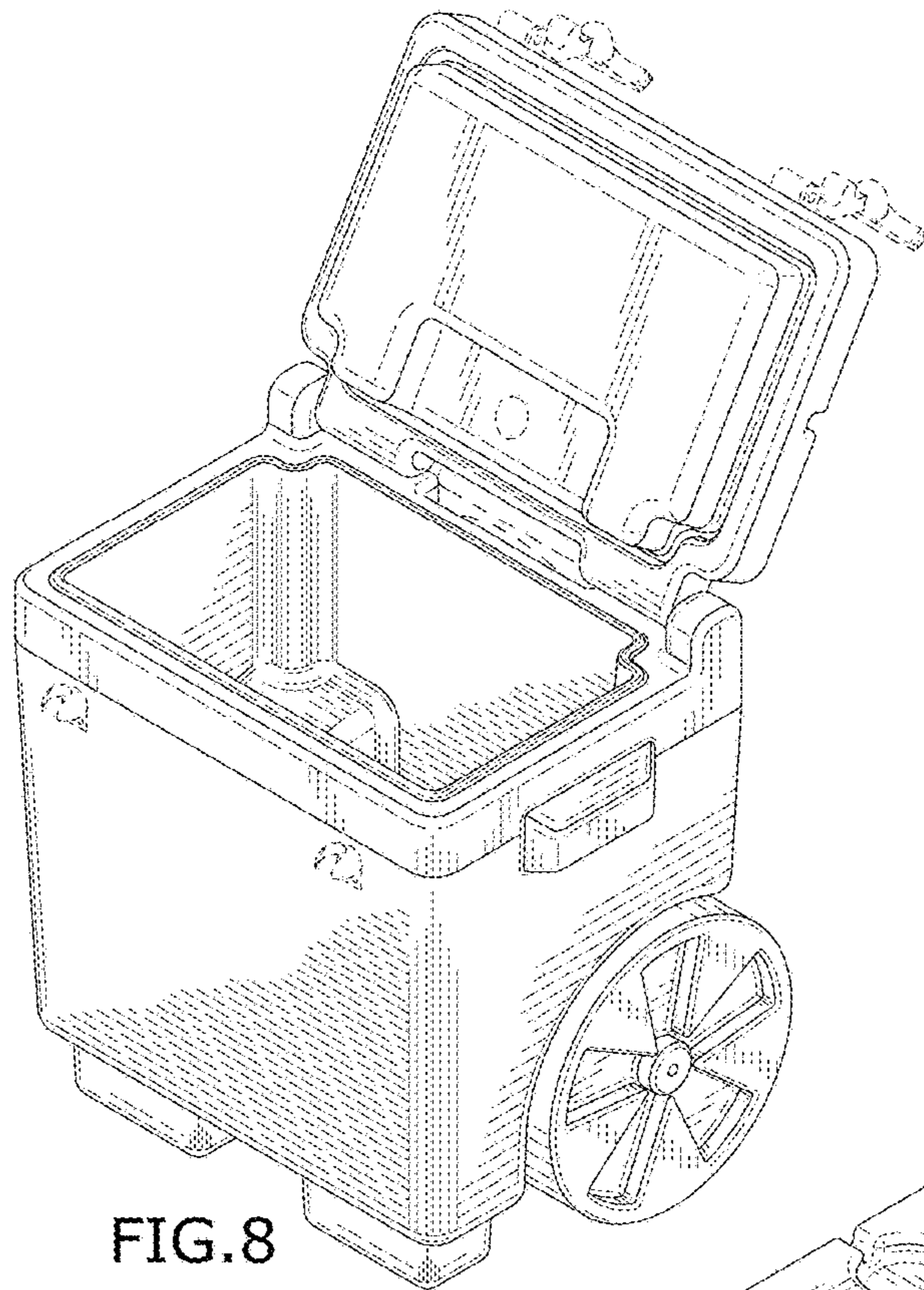


FIG. 8

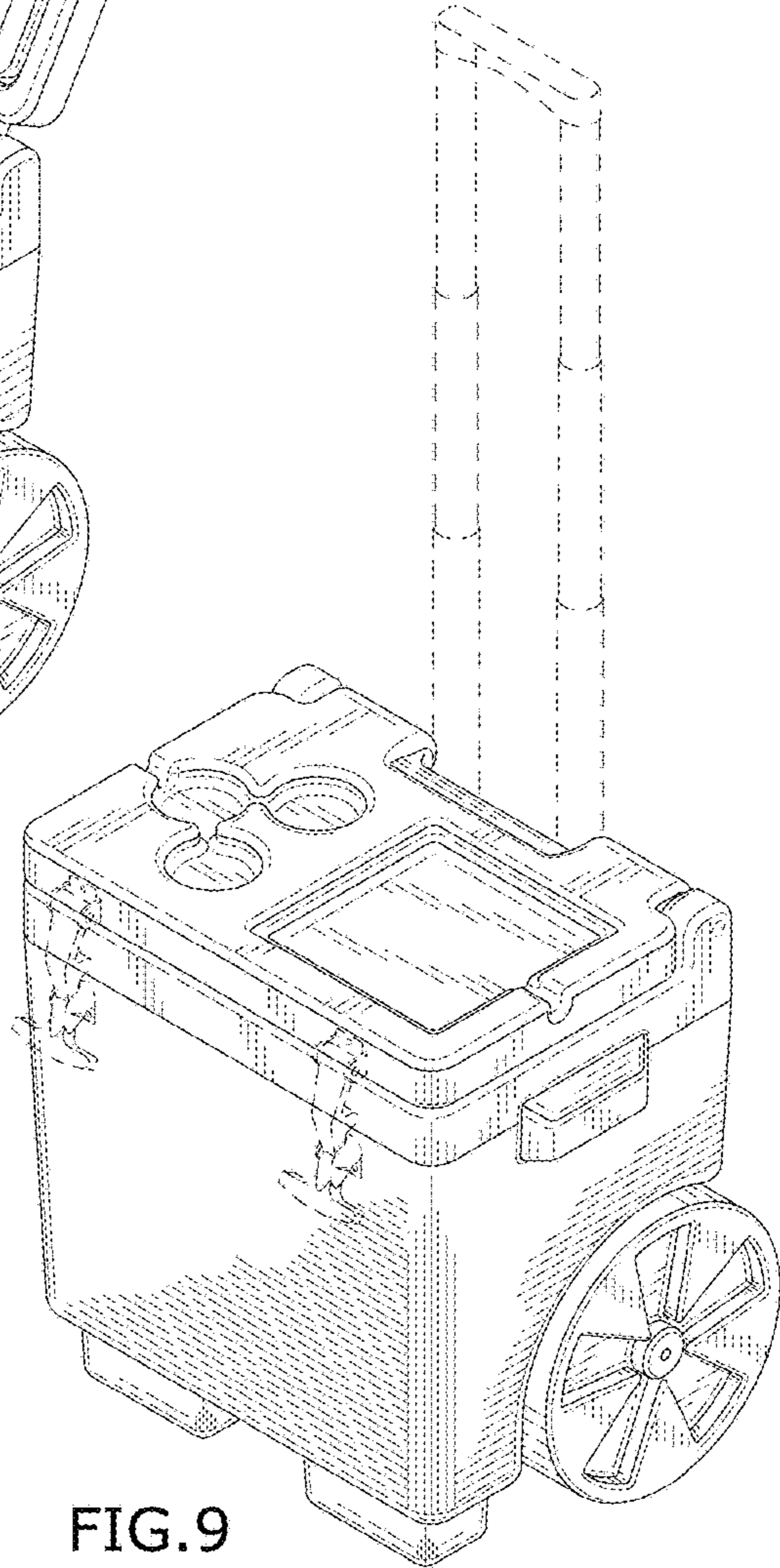


FIG. 9

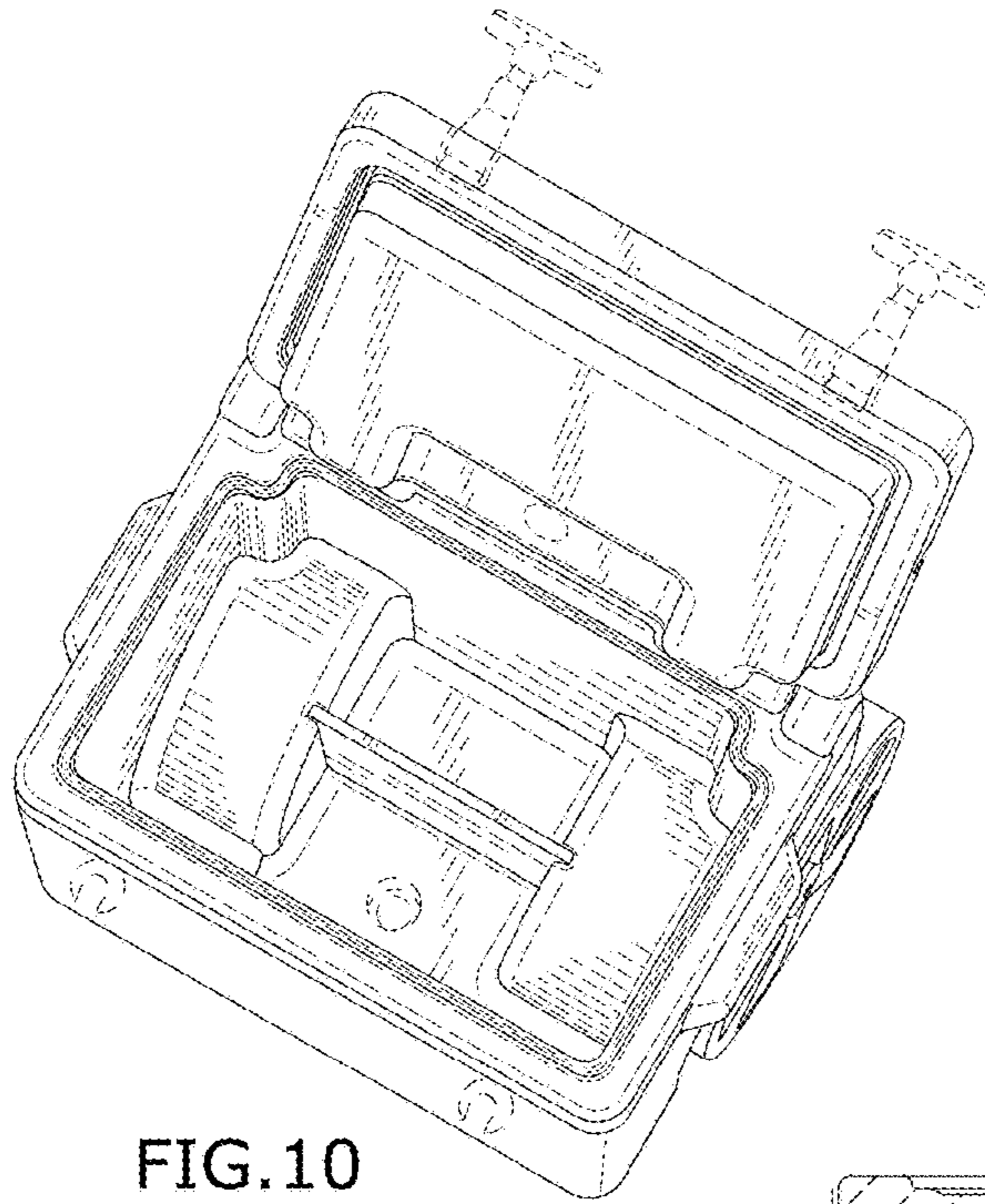


FIG. 10

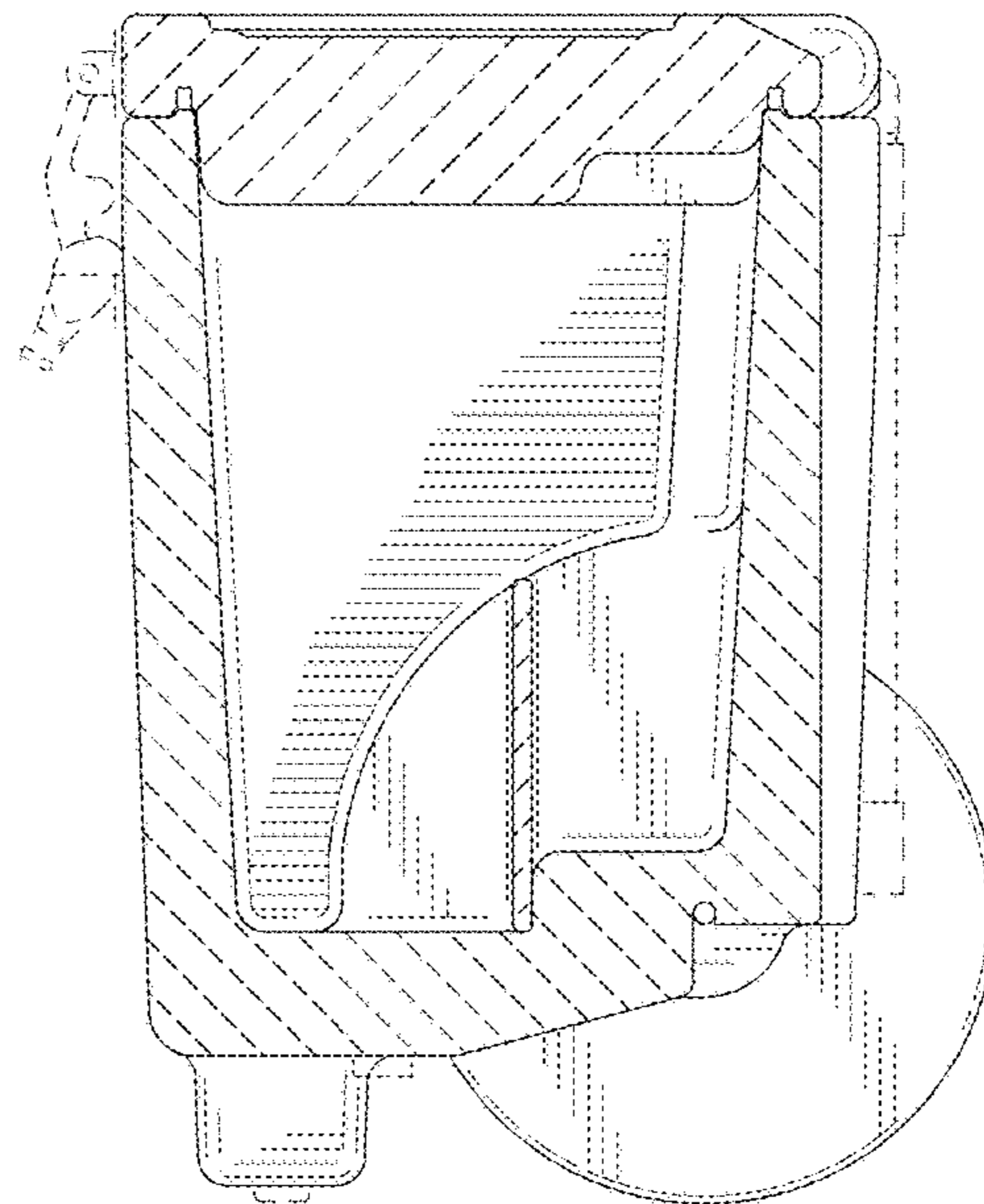


FIG. 11