



US00D850215S

(12) **United States Design Patent**
Schmidt Dios

(10) **Patent No.:** **US D850,215 S**

(45) **Date of Patent:** **** Jun. 4, 2019**

(54) **CONTAINER**

2543/00296; B65D 2543/00694; B65D
2543/00805; B65D 2571/0066; B65D
2585/36

(71) Applicant: **Humex, S.A.**, Tarragona (ES)

See application file for complete search history.

(72) Inventor: **Eva Schmidt Dios**, Tarragona (ES)

(73) Assignee: **HUMEX, S.A.**, La Canonja (Tarragona)
(ES)

(56) **References Cited**

U.S. PATENT DOCUMENTS

(**) Term: **15 Years**

D219,301 S	*	11/1970	Kazaz	D7/608
D257,579 S	*	12/1980	Hayes	D9/500
D322,568 S	*	12/1991	Berman	D7/608
D557,562 S	*	12/2007	Kramer	D7/523
D586,184 S	*	2/2009	Miller	D7/511
D615,816 S	*	5/2010	Joy	D7/507
D769,066 S	*	10/2016	Mason	D7/509
D787,267 S	*	5/2017	Maas	D7/510

(21) Appl. No.: **29/625,226**

(22) Filed: **Nov. 8, 2017**

Related U.S. Application Data

(62) Division of application No. 35/501,244, filed on Jan. 22, 2016 (U.S. filing date under 35 U.S.C. 384), and having an international filing date of Jan. 22, 2016, now Pat. No. Des. 830,823.

* cited by examiner

Primary Examiner — Keli L Hill

(74) *Attorney, Agent, or Firm* — Allen Dyer Doppelt & Gilchrist

(30) **Foreign Application Priority Data**

Jul. 24, 2015 (EM) 002742320

(51) **LOC (11) Cl.** **07-01**

(52) **U.S. Cl.**
USPC **D7/602; D7/511; D9/534; D9/551**

(58) **Field of Classification Search**

USPC D9/414, 420, 423–426, 428–430, 432, D9/516, 534, 529, 549, 551; 229/87.01, 229/87.08–87.09; 426/118, 128; D7/601, D7/602, 619.1, 622, 630, 509–511, 533, D7/535, 605, 607, 608, 624.2
CPC ... A23B 7/148; A23L 3/2418; A23V 2002/00; A47G 1/001; B65D 65/04; B65D 65/14; B65D 65/22; B65D 75/08; B65D 75/322; B65D 77/08; B65D 77/225; B65D 81/3461; B65D 85/36; B65D 85/60; B65D 2101/0015; B65D 2205/00; B65D

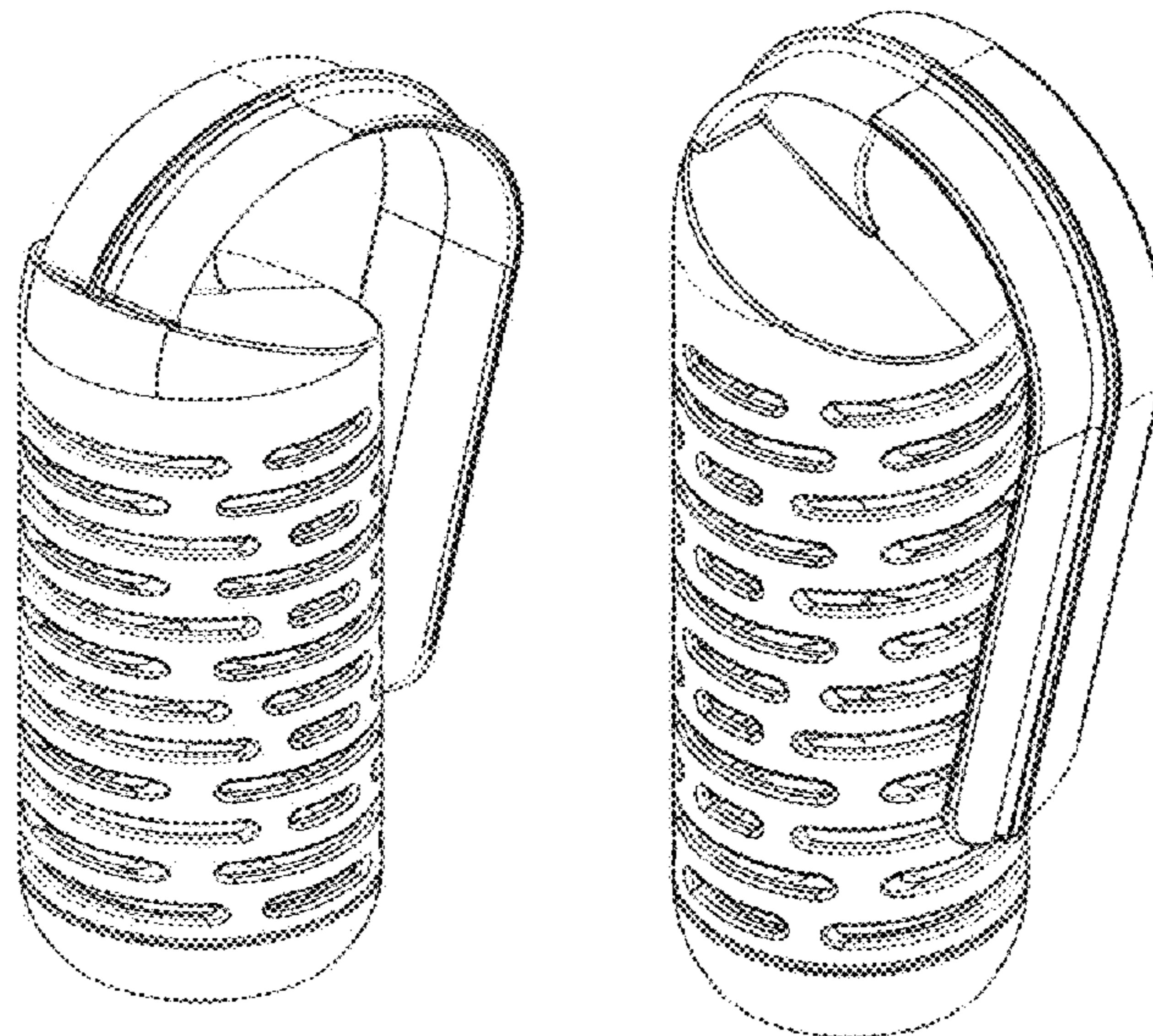
(57) **CLAIM**

The ornamental design for a container, as shown and described.

DESCRIPTION

FIG. 1 is a perspective view of the design;
FIG. 2 is another perspective view of the design of FIG. 1;
FIG. 3 is a front elevation view of the design of FIG. 1;
FIG. 4 is a right side view of the design of FIG. 1;
FIG. 5 is a left side view of the design of FIG. 1;
FIG. 6 is a top view of the design of FIG. 1; and
FIG. 7 is a bottom view of the design of FIG. 1.
Broken lines shown in the Drawings represent unclaimed portions of the container and form no part of the claimed design.

1 Claim, 7 Drawing Sheets



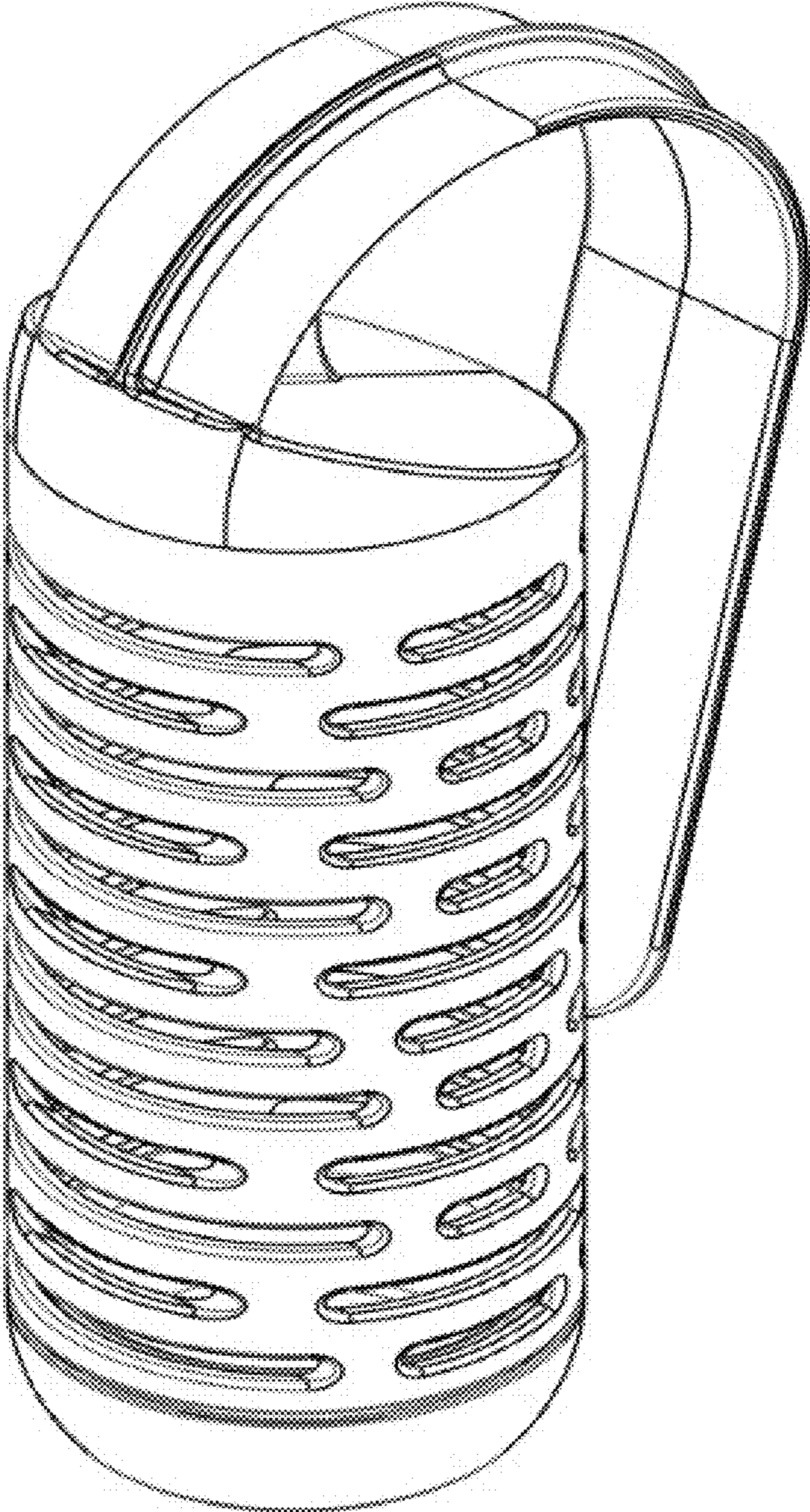


FIG. 1

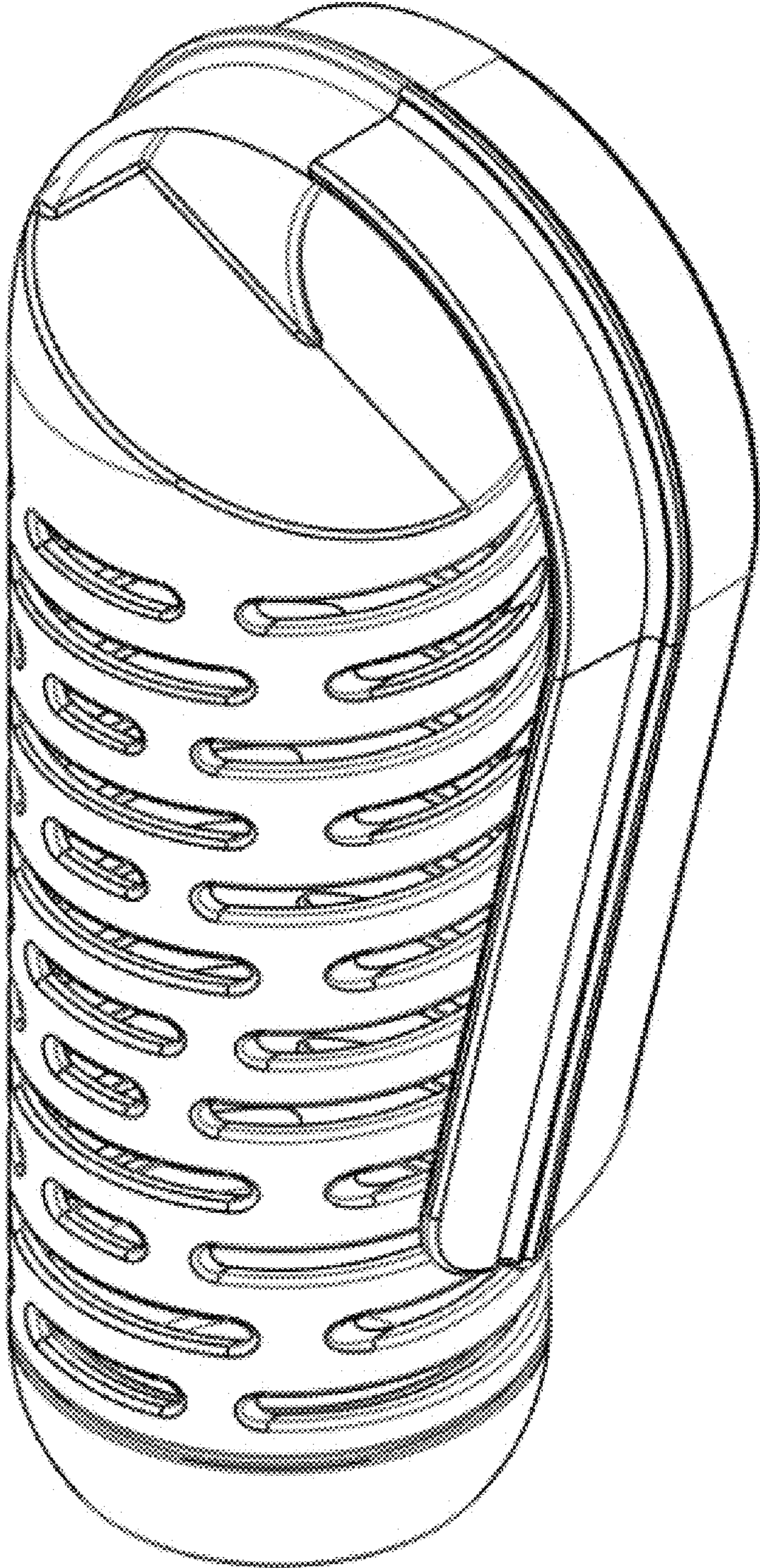


FIG. 2

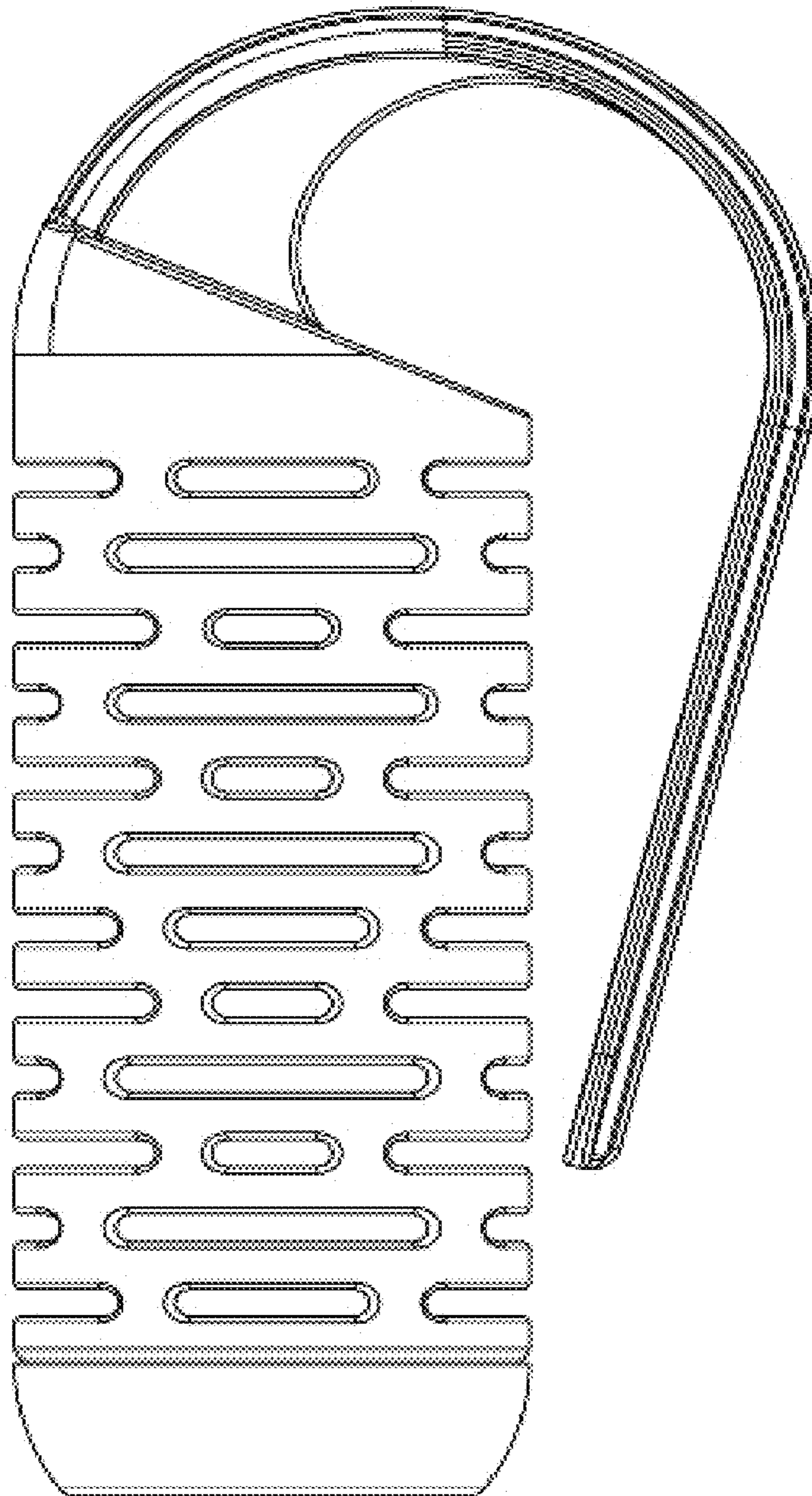


FIG. 3

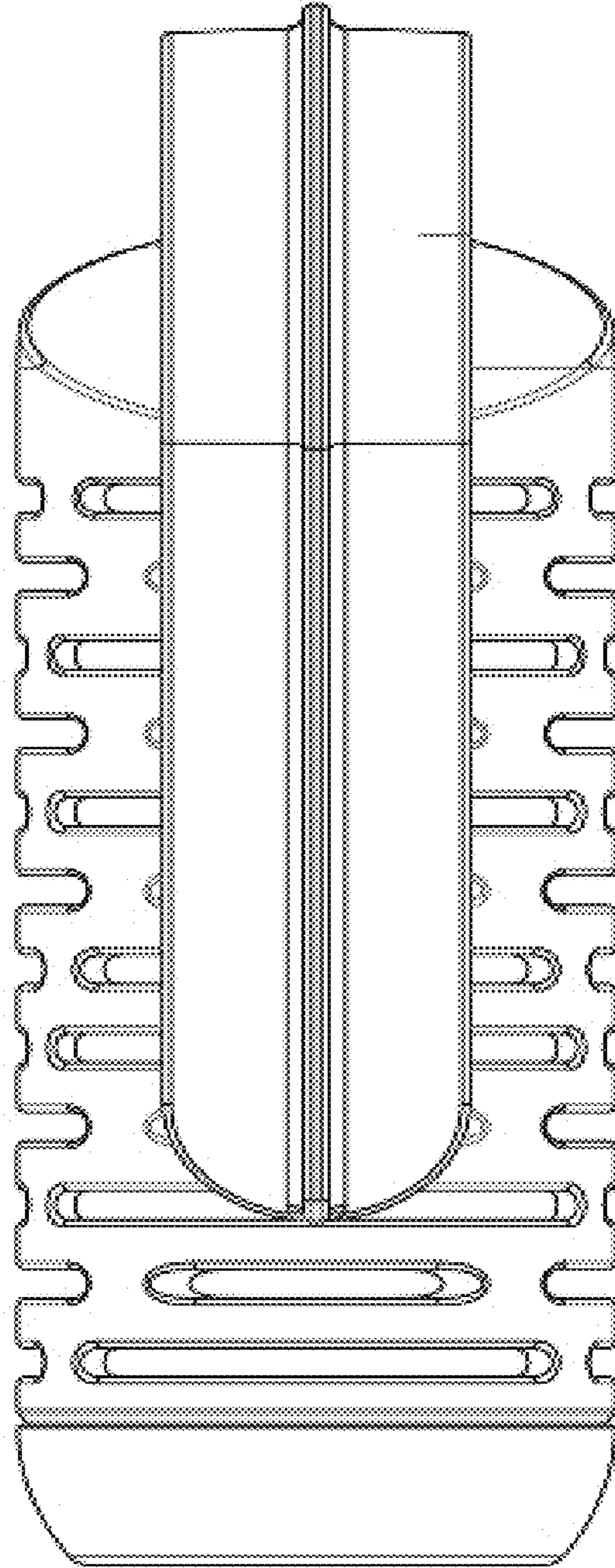


FIG. 4

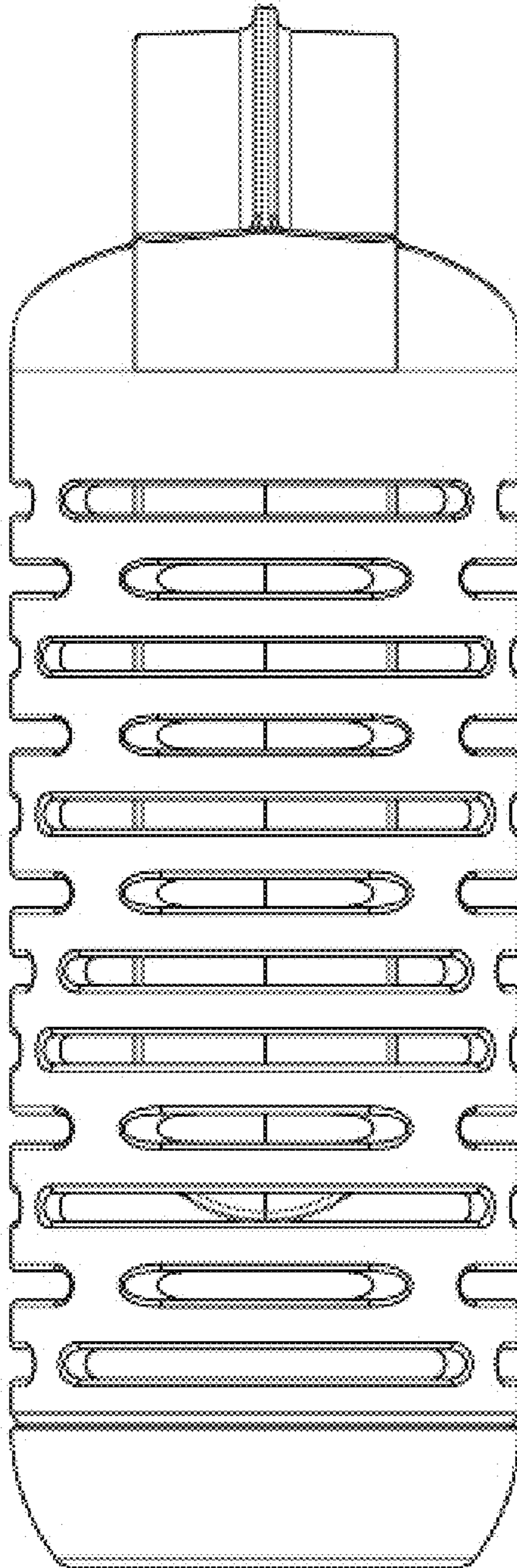


FIG. 5

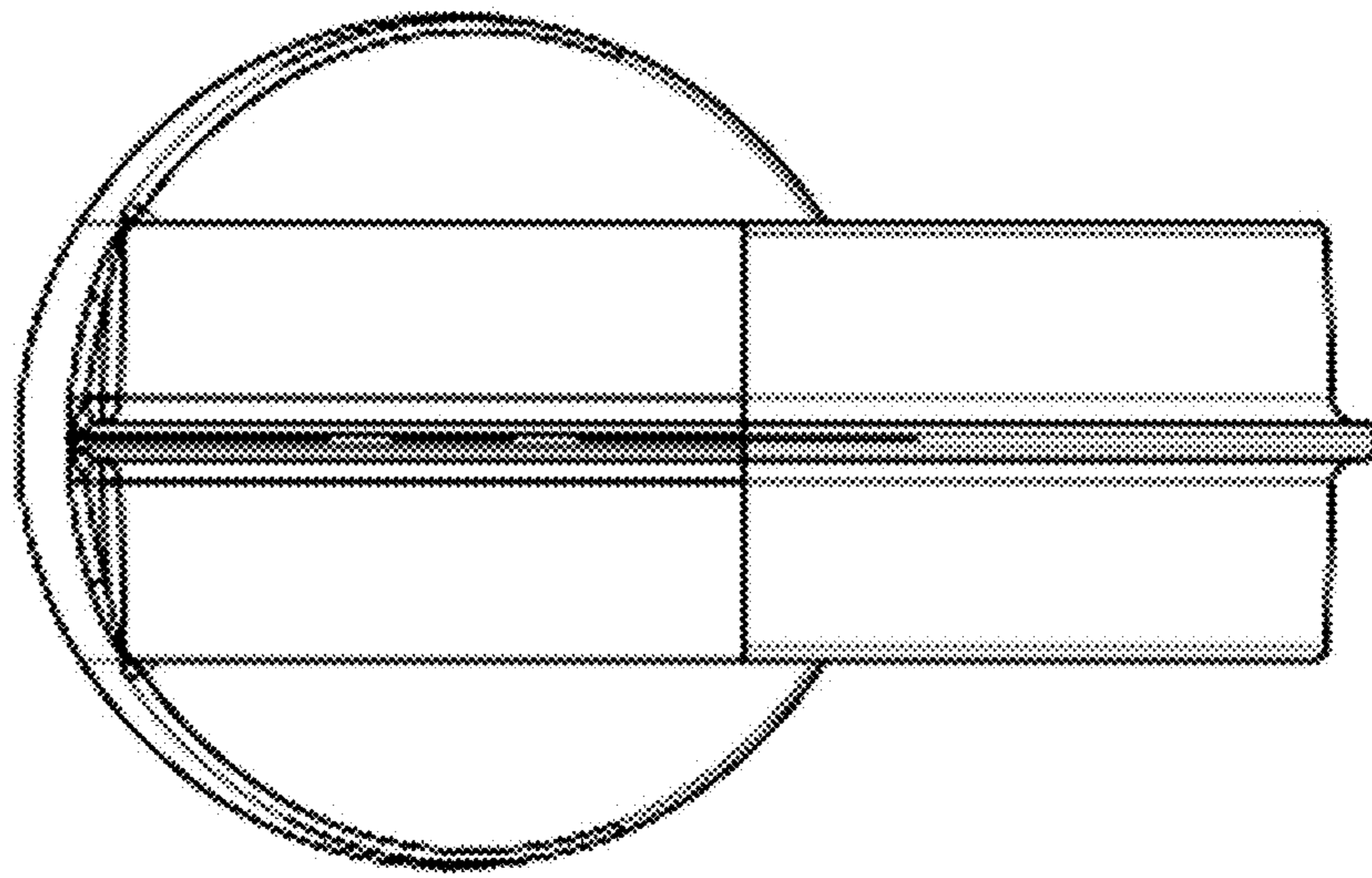


FIG. 6

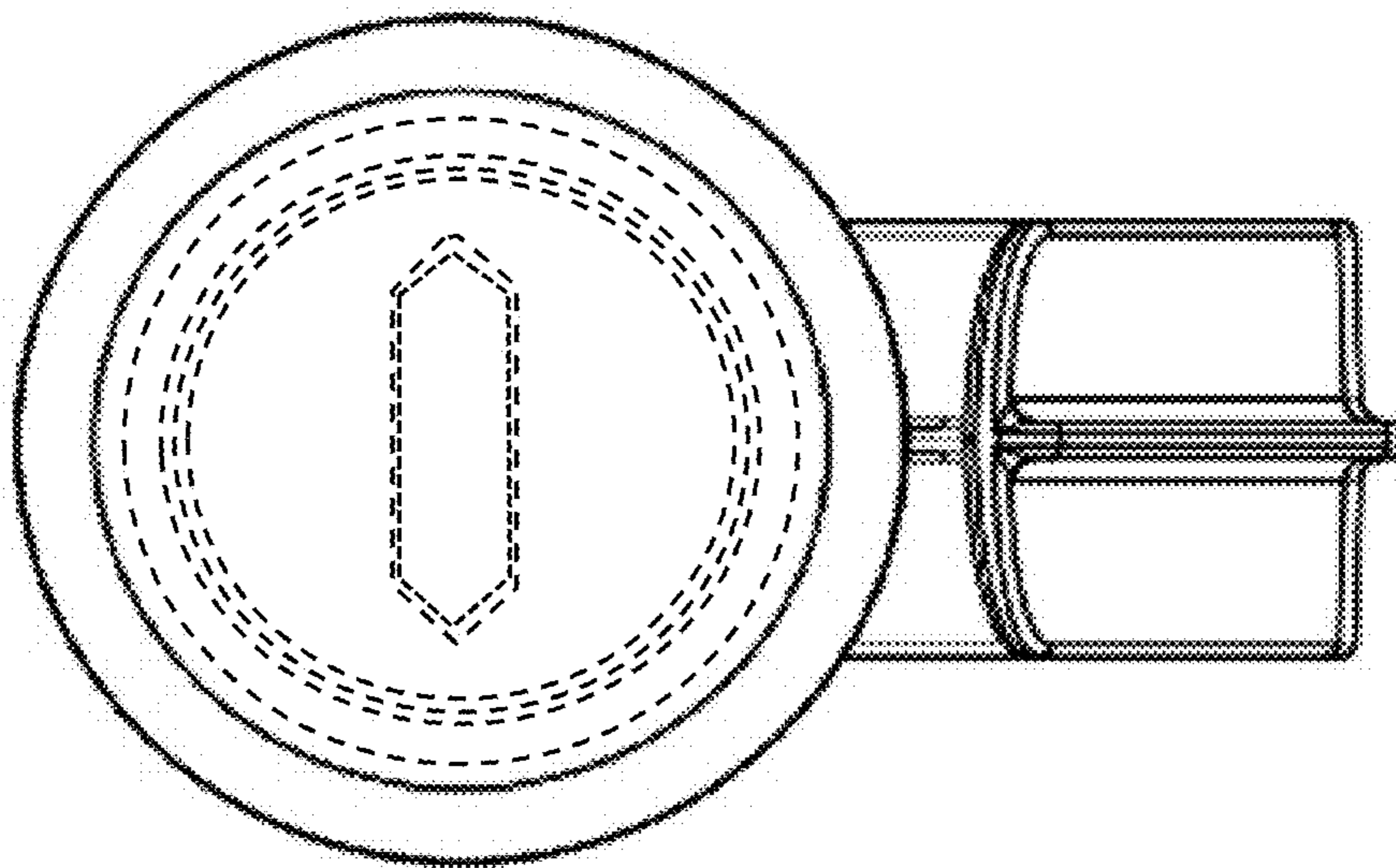


FIG. 7