



US00D850212S

(12) **United States Design Patent** (10) **Patent No.:** **US D850,212 S**
Eyal (45) **Date of Patent:** **** Jun. 4, 2019**

- (54) **BEVERAGE CONTAINER**
- (71) Applicant: **ETS EXPRESS, INC.**, Oxnard, CA (US)
- (72) Inventor: **Sharon Eyal**, Oxnard, CA (US)
- (73) Assignee: **ETS EXPRESS, INC.**, Oxnard, CA (US)
- (**) Term: **15 Years**
- (21) Appl. No.: **29/607,921**
- (22) Filed: **Jun. 16, 2017**
- (51) **LOC (11) Cl.** **07-01**
- (52) **U.S. Cl.**
USPC **D7/523; D9/558**
- (58) **Field of Classification Search**
USPC D9/516, 544, 545, 551, 553, 558, 715, D9/719; D7/300, 300.1, 509, 598, 619.1, D7/624.2, 523
CPC B65D 1/0223; B65D 1/44; B65D 81/36
See application file for complete search history.

- (56) **References Cited**
U.S. PATENT DOCUMENTS
D421,139 S * 2/2000 Garcia-Maldonado D26/11
D488,348 S * 4/2004 Liu D7/509
D555,430 S * 11/2007 Tien D7/509
D582,212 S * 12/2008 Trombly D7/509
D586,182 S * 2/2009 Trombly D7/509

- D599,622 S * 9/2009 Gilbert D7/509
- D671,365 S * 11/2012 Gold D7/509
- D671,366 S * 11/2012 Muspratt-Williams D7/509
- D749,365 S * 2/2016 Hume D7/509
- D764,234 S * 8/2016 Lee D7/509
- D798,668 S * 10/2017 Steel D7/531
- D799,268 S * 10/2017 Gschwandt D7/509
- D799,274 S * 10/2017 Hewitt D7/531

* cited by examiner
Primary Examiner — Ian Simmons
Assistant Examiner — Keith Frank
(74) *Attorney, Agent, or Firm* — Kleinberg & Lerner, LLP; Marvin H. Kleinberg

(57) **CLAIM**
The ornamental design for a beverage container, as shown and described.

DESCRIPTION
FIG. 1 is a perspective view of a beverage container showing my new design;
FIG. 2 is a front elevation view thereof;
FIG. 3 is a rear elevation view thereof;
FIG. 4 is a left side elevation view thereof;
FIG. 5 is a right side elevation thereof;
FIG. 6 is a top plan view thereof; and,
FIG. 7 is a bottom plan view thereof.
The broken lines in the drawings showing the beverage container illustrate the portions of the beverage container that form no part of the claimed design.

1 Claim, 6 Drawing Sheets

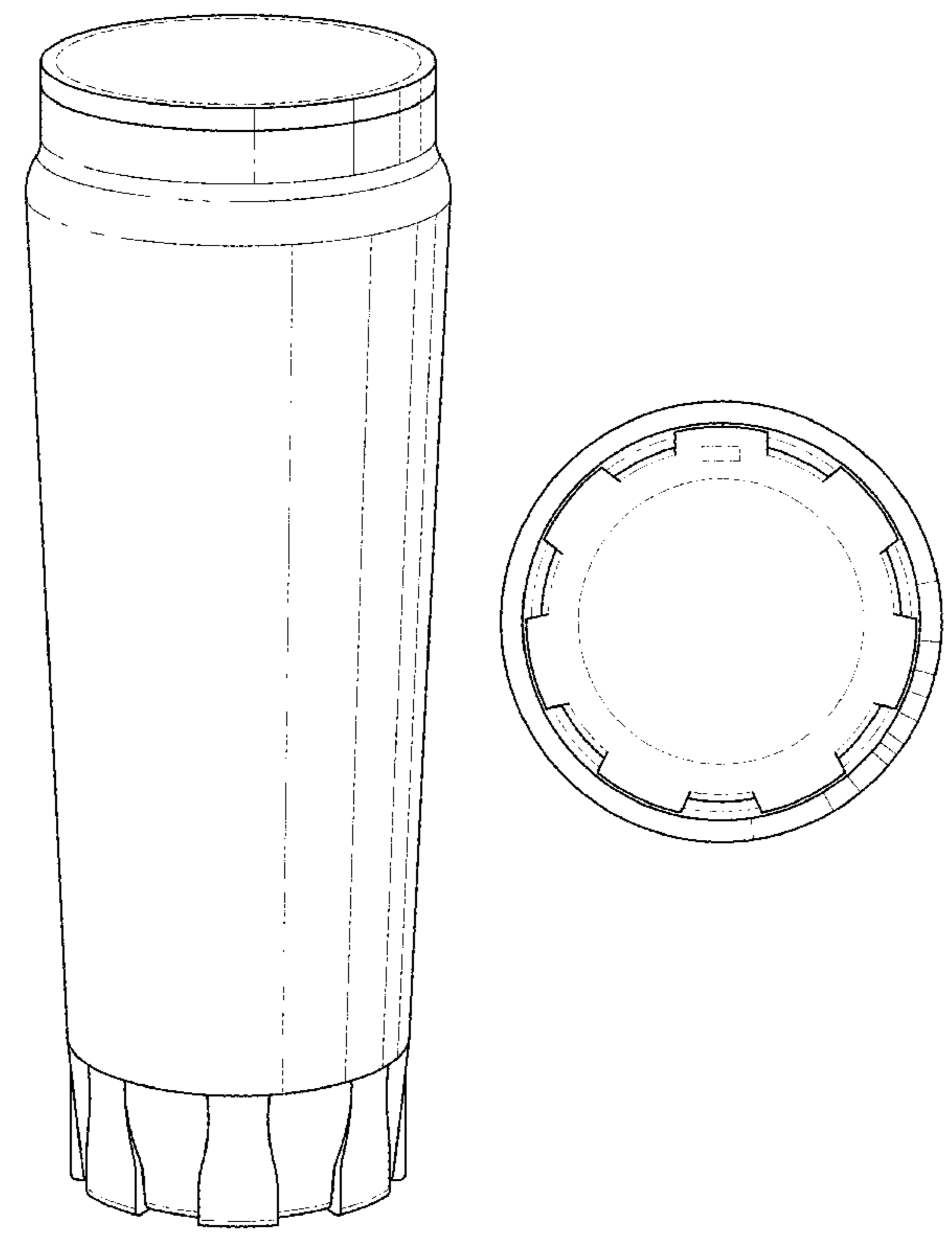


FIG. 1

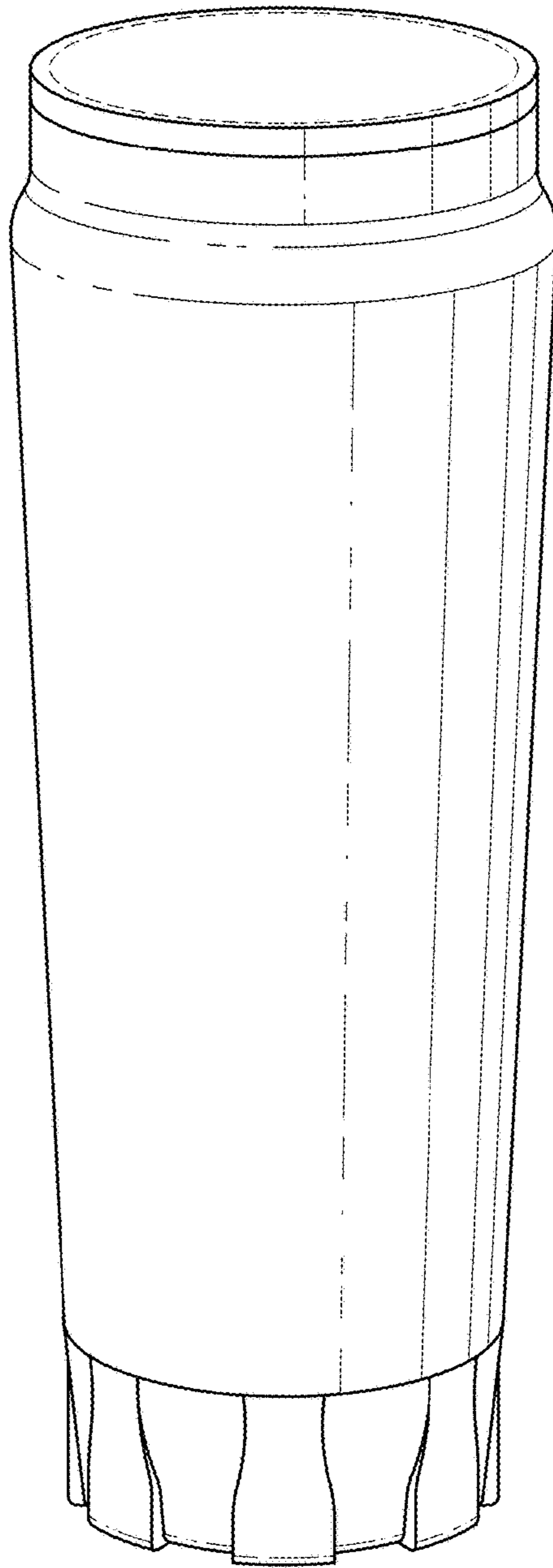


FIG. 2

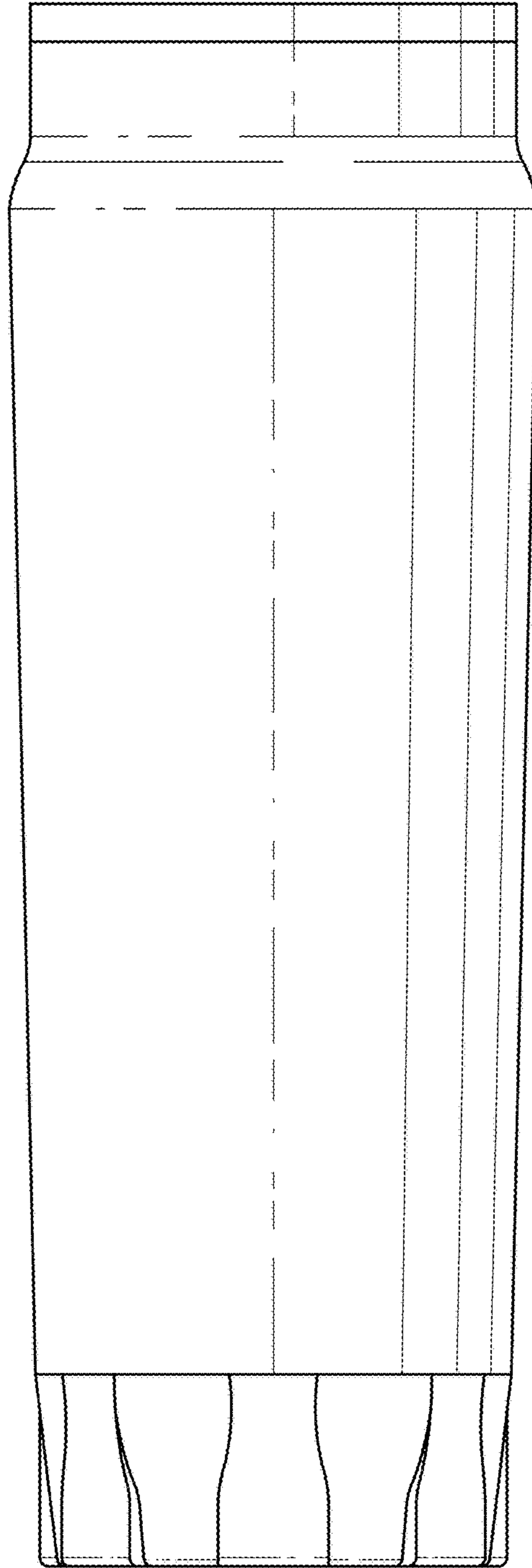


FIG. 3

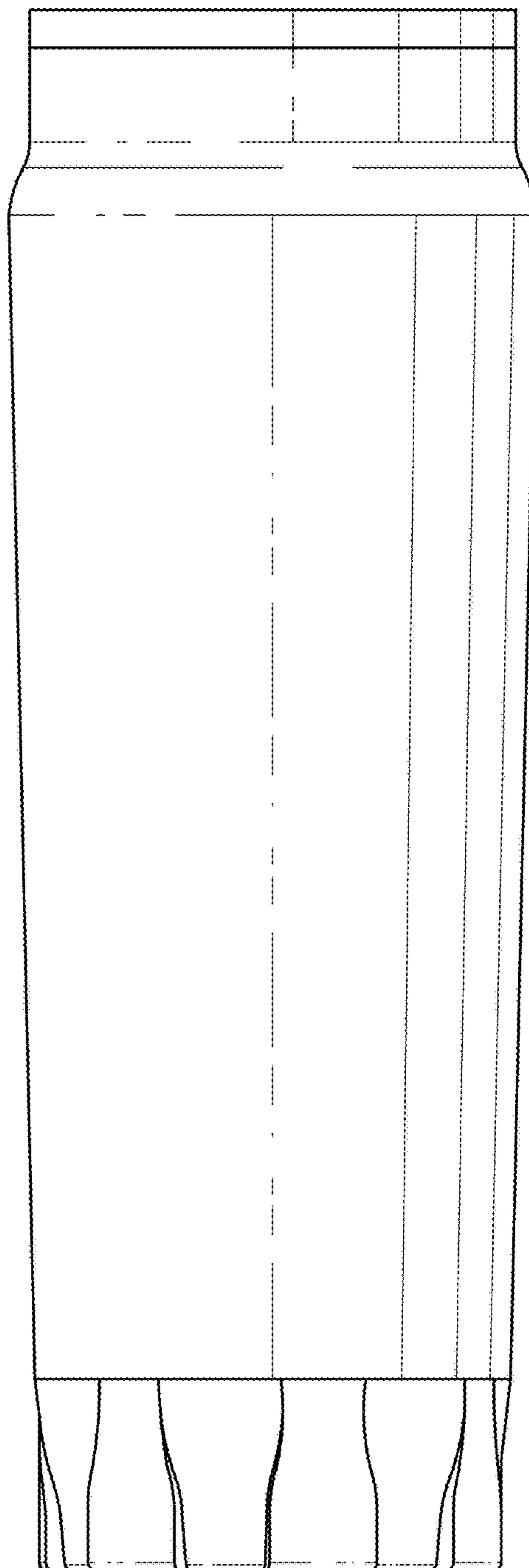


FIG. 4

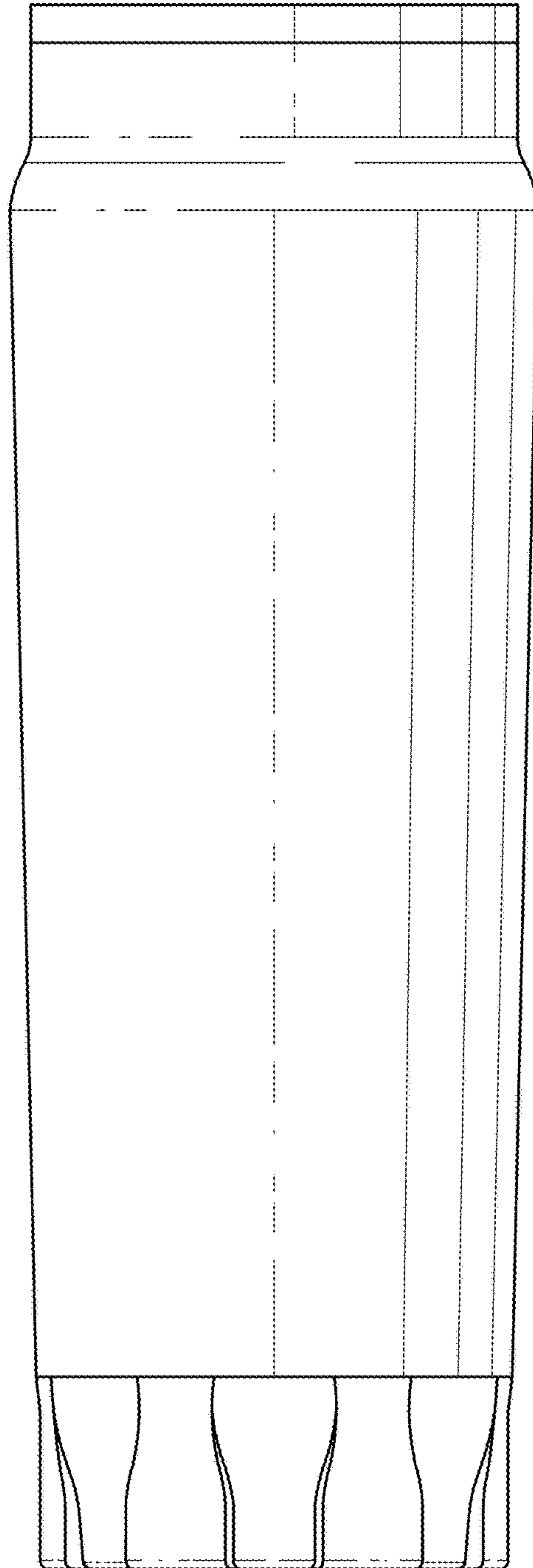


FIG. 5

