



US00D850211S

(12) **United States Design Patent** (10) **Patent No.:** **US D850,211 S**  
**Walbroel et al.** (45) **Date of Patent:** **\*\* Jun. 4, 2019**

- (54) **MUG**
- (71) Applicants: **Jillian Walbroel**, Woodland Park, NJ (US); **Christon G. Suess**, Paramus, NJ (US)
- (72) Inventors: **Jillian Walbroel**, Woodland Park, NJ (US); **Christon G. Suess**, Paramus, NJ (US)
- (73) Assignee: **Cotapaxi Custom Design and Manufacturing LLC**, Carlstadt, NJ (US)
- (\*\*) Term: **15 Years**
- (21) Appl. No.: **29/659,822**
- (22) Filed: **Aug. 13, 2018**

- D327,817 S \* 7/1992 Paullin ..... D7/510
- D340,076 S \* 10/1993 Turner ..... D19/82
- D390,112 S \* 2/1998 Tucker ..... D9/451
- D401,197 S \* 11/1998 Julian ..... D12/162
- D409,443 S \* 5/1999 Clark ..... D7/510
- D415,929 S \* 11/1999 D'Arrigo ..... D7/510
- D418,650 S \* 1/2000 Neuhaus ..... D34/1
- D425,706 S \* 5/2000 Calderone ..... D3/200
- D474,372 S \* 5/2003 Leon ..... D7/301
- D476,804 S \* 7/2003 Bond ..... D3/202
- D477,260 S \* 7/2003 Hovren ..... D12/202
- D479,027 S \* 8/2003 De Winter ..... D34/7
- D513,683 S \* 1/2006 Hayes ..... D7/396.5
- D513,686 S \* 1/2006 Bailey ..... D7/507
- D517,764 S \* 3/2006 Wang ..... D34/9
- D540,692 S \* 4/2007 Yorn ..... D9/538
- D551,822 S \* 9/2007 Gianfrisco ..... D34/11
- D575,470 S \* 8/2008 Gianfrisco ..... D34/11
- D578,761 S \* 10/2008 Ott ..... D3/305
- D587,070 S \* 2/2009 Thompson ..... D7/510
- D591,109 S \* 4/2009 Thompson ..... D7/515

(Continued)

**Related U.S. Application Data**

- (63) Continuation of application No. 29/562,667, filed on Apr. 27, 2016, now Pat. No. Des. 802,999.
- (51) **LOC (11) Cl.** ..... **07-01**
- (52) **U.S. Cl.**  
USPC ..... **D7/515**; D34/4; D9/668; D7/392.1; D7/900; D7/901
- (58) **Field of Classification Search**  
USPC ..... D7/515, 514, 533, 536, 608, 606, 510, D7/511, 901, 900, 392, 392.1; 215/236; D9/668, 618; D3/202; D34/4, 7, 9  
CPC ..... F41A 17/22; A47G 23/0233; A47G 23/02; A47G 19/2227  
See application file for complete search history.

**References Cited**

**U.S. PATENT DOCUMENTS**

- D196,079 S \* 8/1963 Marb ..... D34/8
- D297,389 S \* 8/1988 Demaree ..... D7/511

*Primary Examiner* — Marianne N Pandozzi

(74) *Attorney, Agent, or Firm* — Steven E. Shapiro

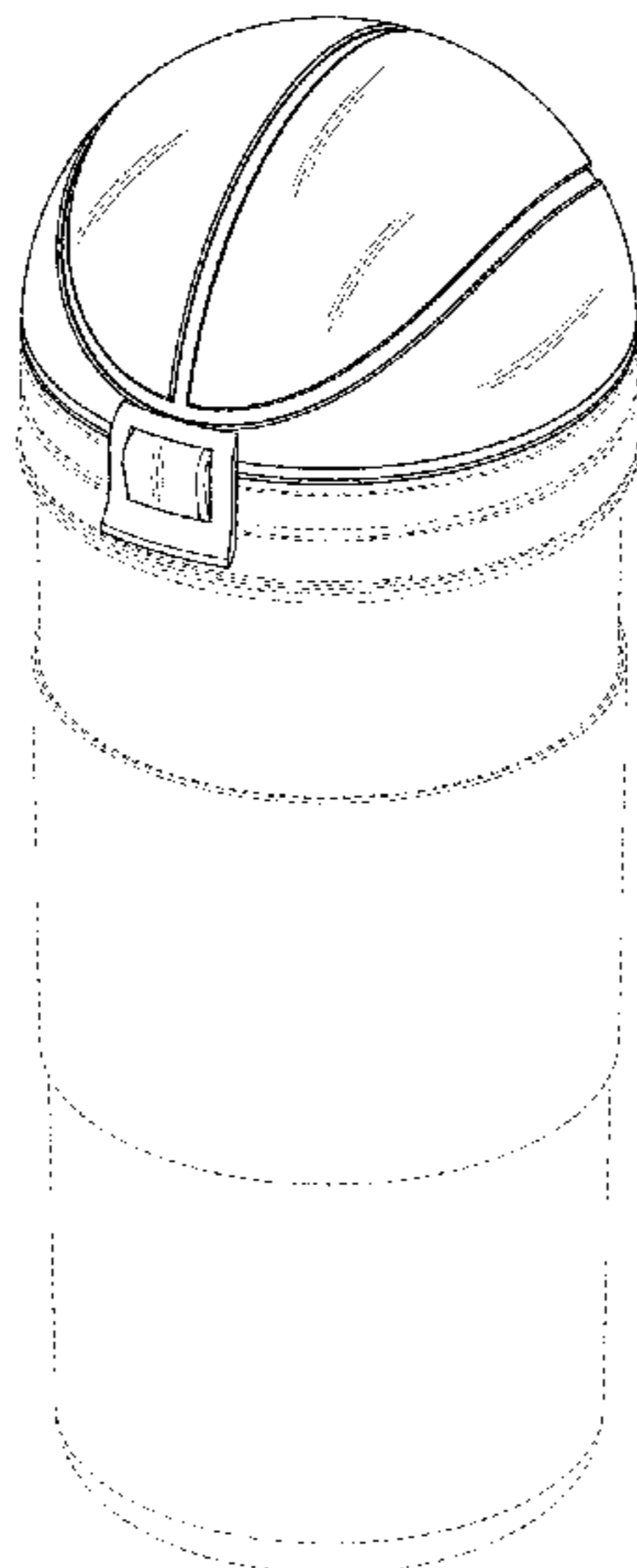
(57) **CLAIM**

The ornamental design for a mug, as shown and described.

**DESCRIPTION**

FIG. 1 is a front perspective view of the mug showing our new design;  
 FIG. 2 is a rear perspective view of the mug;  
 FIG. 3 is a front view of the mug;  
 FIG. 4 is a rear view of the mug;  
 FIG. 5 is a right side view of the mug;  
 FIG. 6 is a left side view of the mug;  
 FIG. 7 is a top view of the mug; and,  
 FIG. 8 is a bottom view of the mug.  
 The broken lines represent portions of the mug that form no part of the claimed design.

**1 Claim, 8 Drawing Sheets**



(56)

**References Cited**

U.S. PATENT DOCUMENTS

D601,851 S *	10/2009	Lopez .....	D7/510
D614,827 S *	5/2010	Nakan .....	D1/106
D659,933 S *	5/2012	Ligon .....	D34/7
D665,266 S *	8/2012	Gelin .....	D9/668
D677,980 S *	3/2013	Levin .....	D7/392
D710,153 S *	8/2014	Marini .....	D7/515
D744,339 S *	12/2015	Tillman .....	D9/451
D747,925 S *	1/2016	Engler .....	D7/510
D794,453 S *	8/2017	Boroski .....	D7/392.1
D802,999 S *	11/2017	Walbroel .....	D7/515
D822,427 S *	7/2018	Sorensen .....	D7/392.1
D825,270 S *	8/2018	Walbroel .....	D7/515

\* cited by examiner

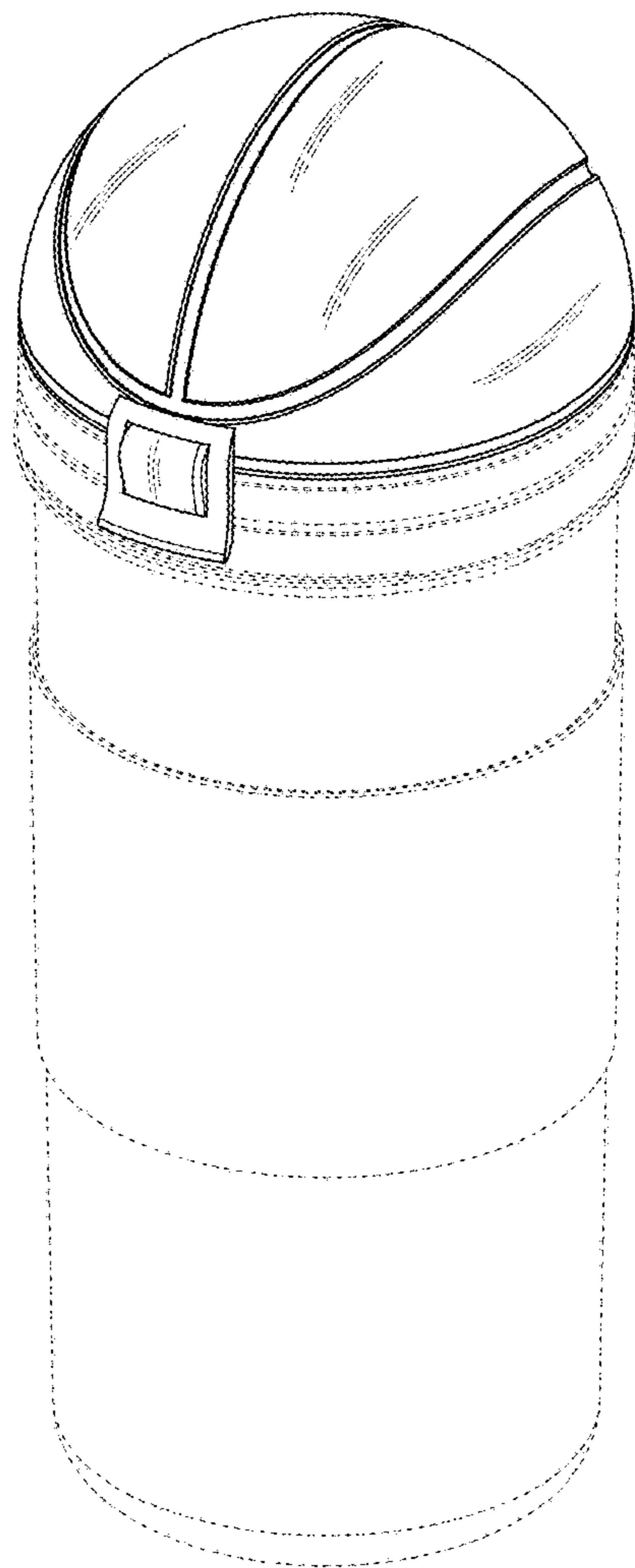


FIG. 1

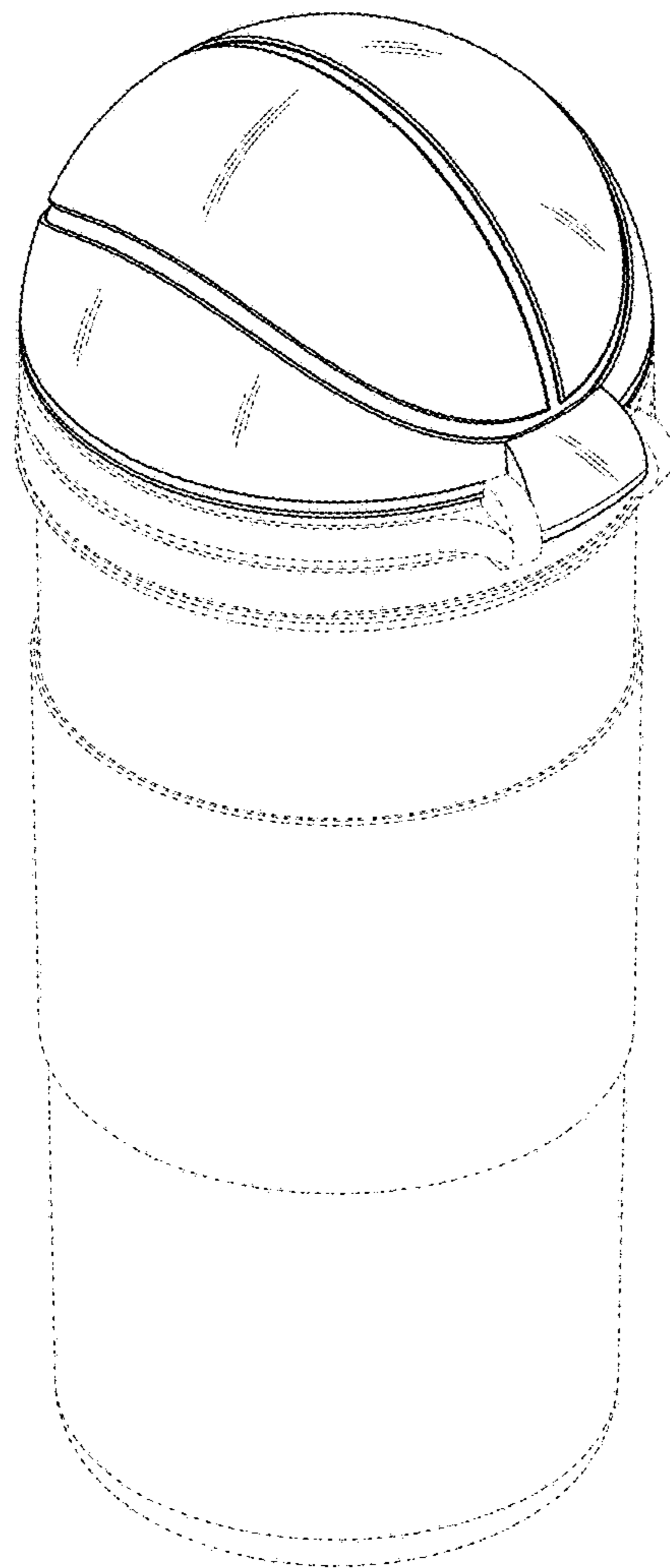


FIG. 2

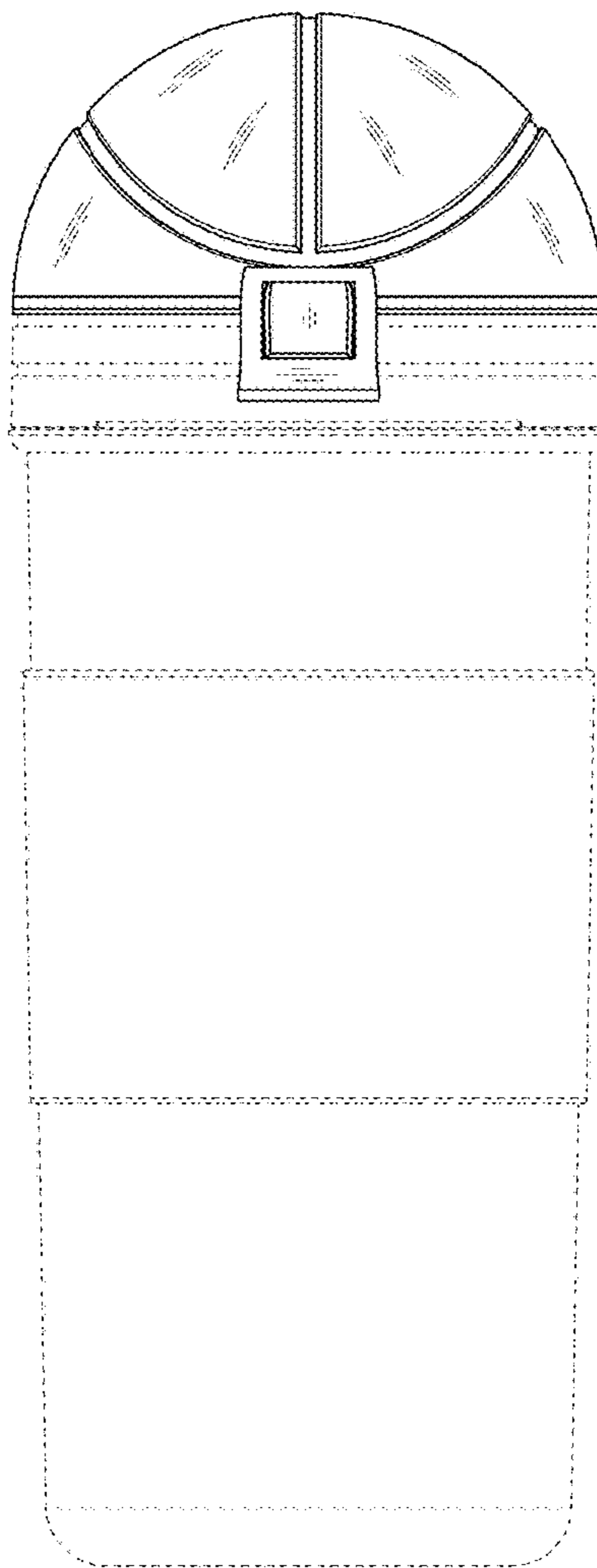


FIG. 3

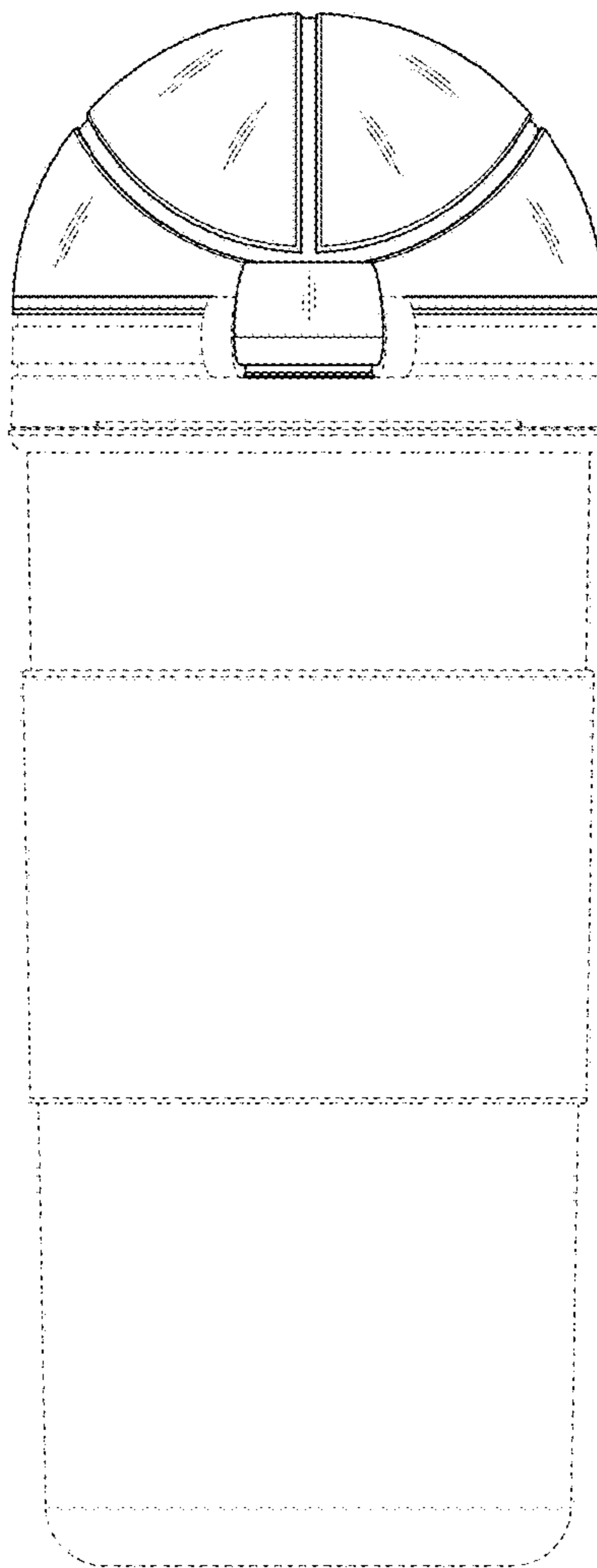


FIG. 4

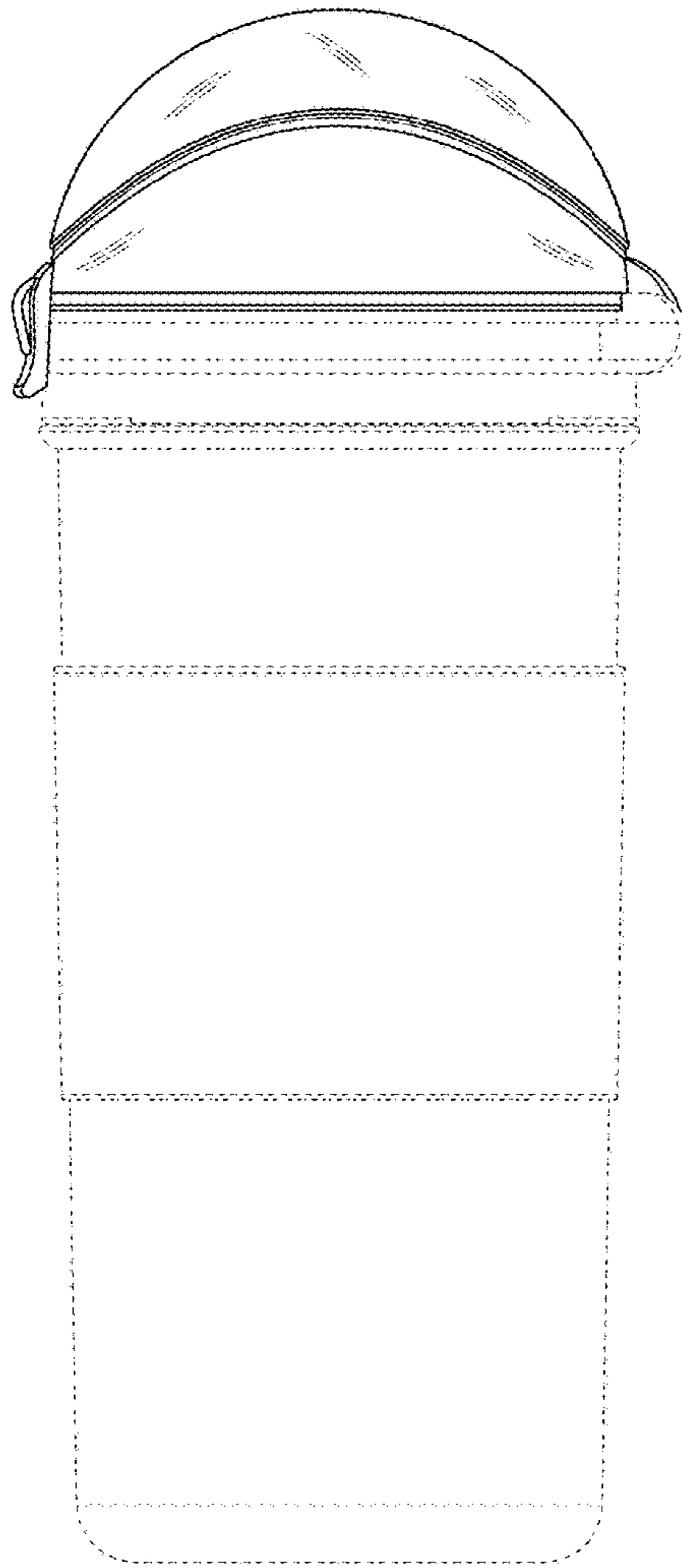


FIG. 5

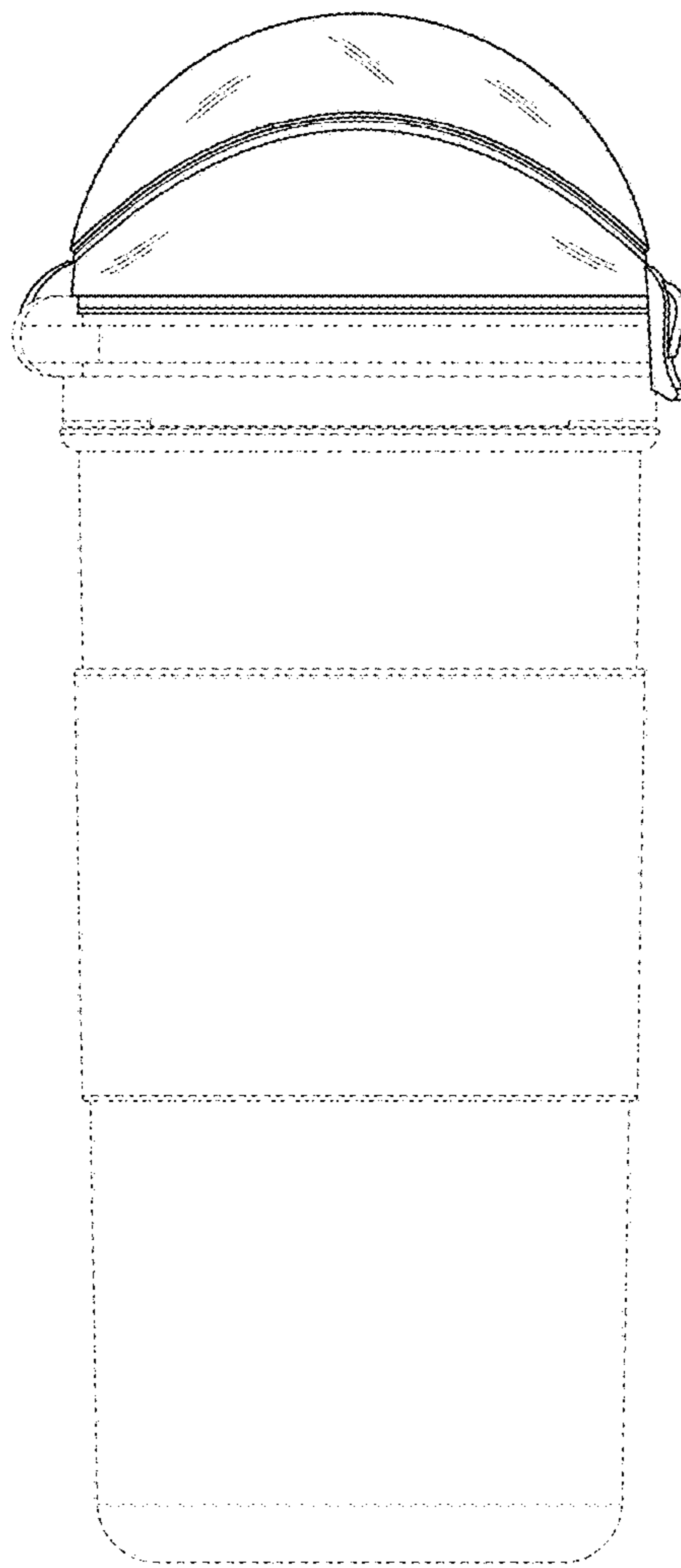


FIG. 6



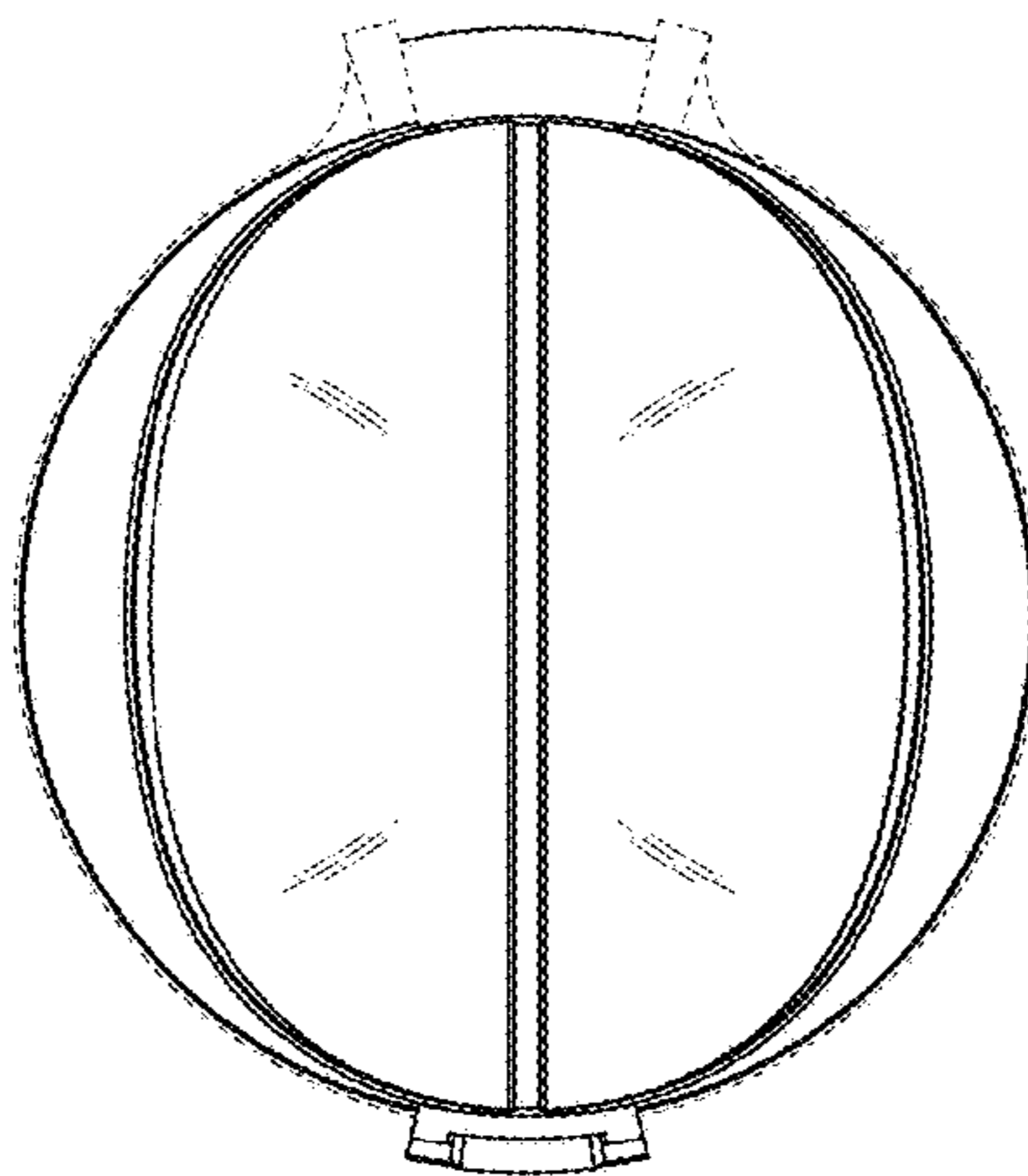


FIG. 7

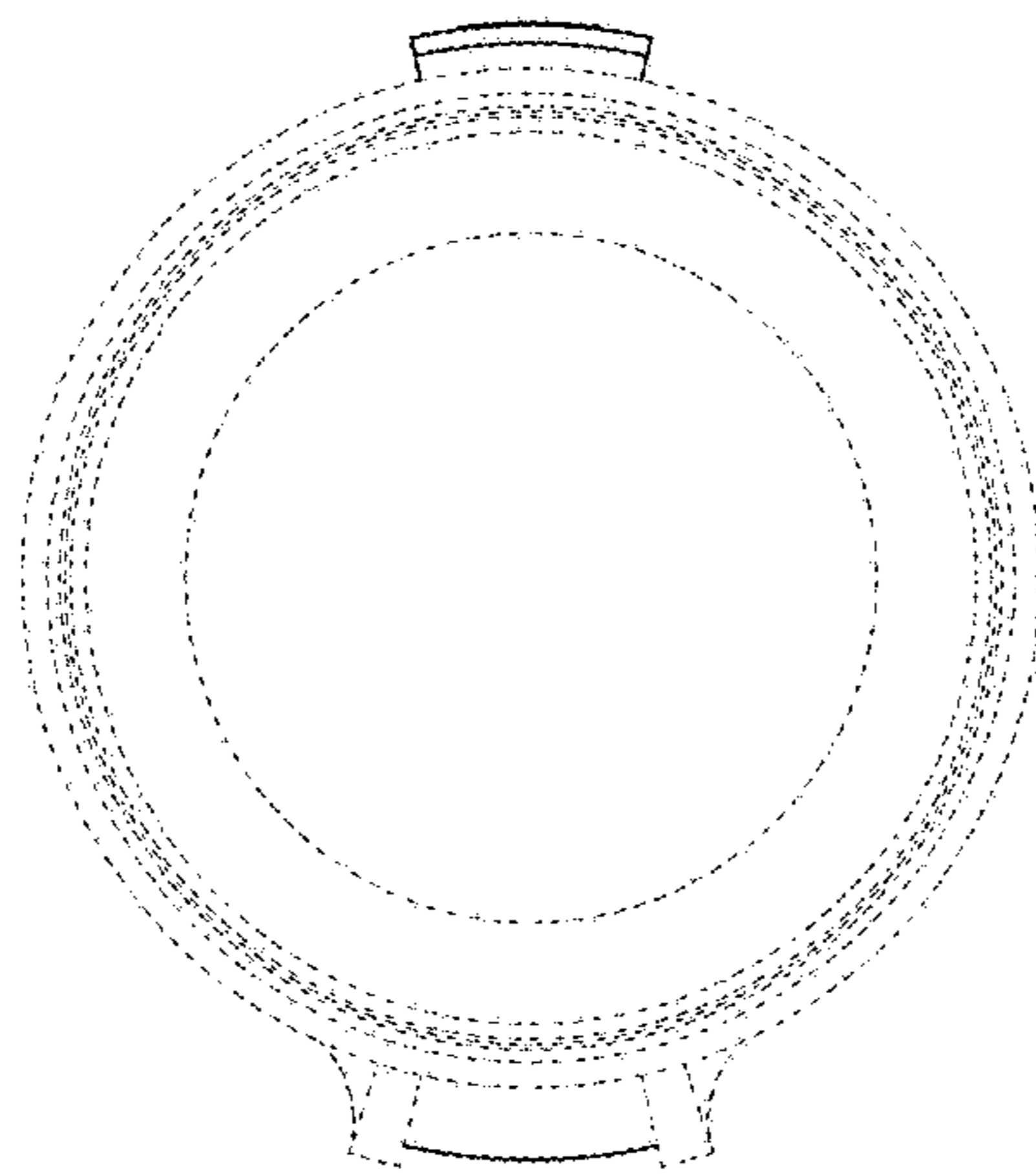


FIG. 8