



US00D850209S

(12) **United States Design Patent** (10) **Patent No.:** **US D850,209 S**  
**Silby** (45) **Date of Patent:** **\*\* Jun. 4, 2019**

(54) **BEVERAGE CONTAINER**

(71) Applicant: **Pacific Market International, LLC**,  
Seattle, WA (US)

(72) Inventor: **Jacob D. Silsby**, Seattle, WA (US)

(73) Assignee: **PACIFIC MARKET INTERNATIONAL, LLC**, Seattle, WA (US)

(\*\*) Term: **15 Years**

(21) Appl. No.: **29/640,296**

(22) Filed: **Mar. 13, 2018**

(51) **LOC (11) Cl.** ..... **07-01**

(52) **U.S. Cl.**  
USPC ..... **D7/510; D9/516**

(58) **Field of Classification Search**  
USPC ..... D7/510, 511, 608, 300.1, 591, 392.1,  
D7/396.2, 529, 533-536; D9/503, 504,  
D9/434, 763, 764, 772, 516  
CPC .... A47G 19/22; A47G 19/2205; B65D 41/04;  
B65D 43/02  
See application file for complete search history.

(56) **References Cited**

**U.S. PATENT DOCUMENTS**

4,444,324 A	4/1984	Grenell	
D289,937 S	5/1987	Cleveland, Jr.	
5,094,363 A	3/1992	Monahan et al.	
D518,380 S	4/2006	Moran	
D556,576 S	12/2007	Webb	
D588,936 S	3/2009	Ioannides et al.	
D592,012 S *	5/2009	Carreno	D7/510
D618,508 S *	6/2010	George	D7/319
D625,951 S	10/2010	Baek	
D628,906 S	12/2010	Fedusa et al.	

(Continued)

**OTHER PUBLICATIONS**

Silsby, Jacob D., "Beverage Container," U.S. Appl. No. 29/602,504, filed May 1, 2017.

*Primary Examiner* — Derrick E Holland  
*Assistant Examiner* — Andrew Kerr  
(74) *Attorney, Agent, or Firm* — Davis Wright Tremaine LLP; George C. Rondeau, Jr.

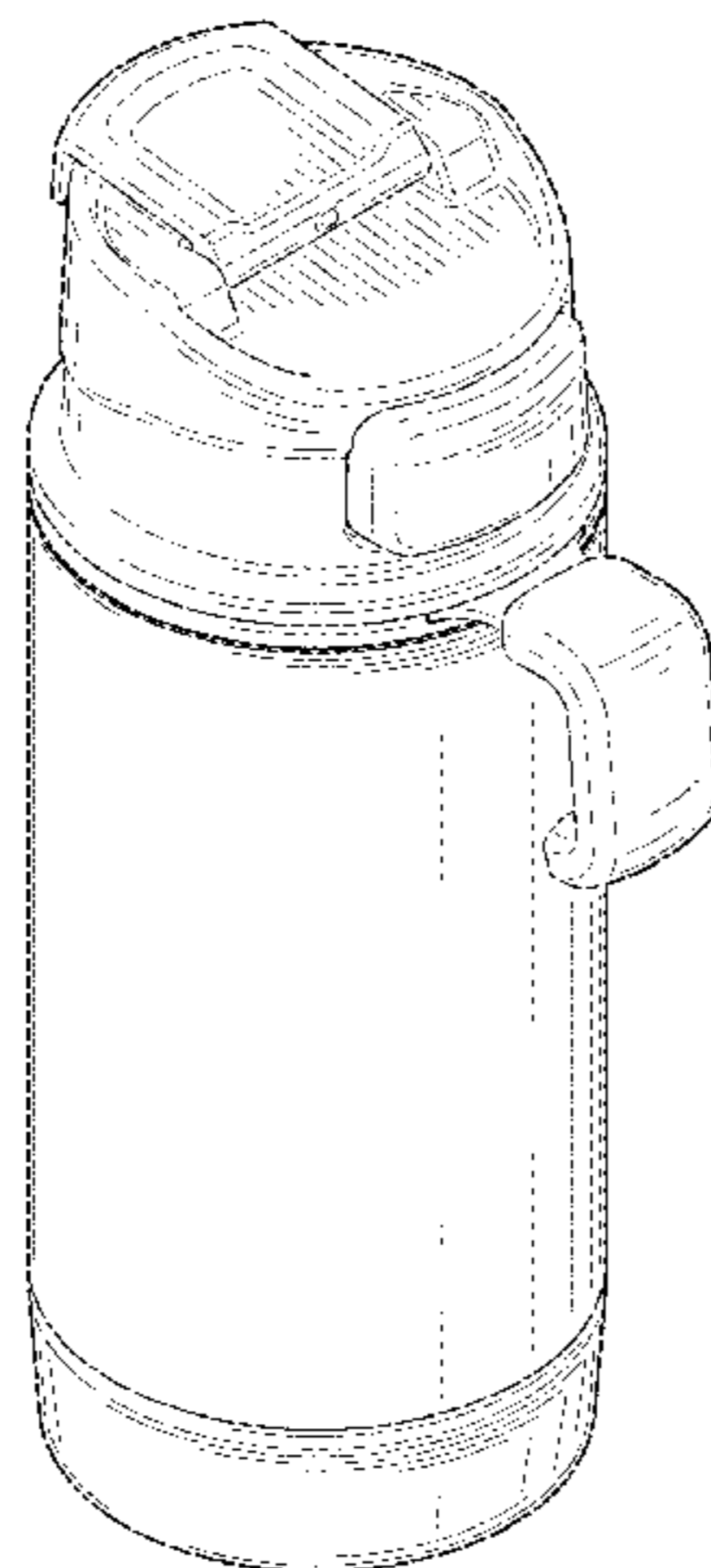
(57) **CLAIM**

The ornamental design for a beverage container, as shown and described.

**DESCRIPTION**

FIG. 1 is a top perspective view of a first embodiment of a beverage container showing my new design.  
FIG. 2 is a bottom perspective view thereof.  
FIG. 3 is a left side elevational view thereof.  
FIG. 4 is a front elevational view thereof.  
FIG. 5 is a rear elevational view thereof.  
FIG. 6 is a right side elevational view thereof.  
FIG. 7 is a top plan view thereof.  
FIG. 8 is a bottom plan view thereof.  
FIG. 9 is a top perspective view of a second embodiment of a beverage container showing my new design.  
FIG. 10 is a bottom perspective view thereof.  
FIG. 11 is a left side elevational view thereof.  
FIG. 12 is a front elevational view thereof.  
FIG. 13 is a rear elevational view thereof.  
FIG. 14 is a right side elevational view thereof.  
FIG. 15 is a top plan view thereof.  
FIG. 16 is a bottom plan view thereof.  
FIG. 17 is a top perspective view of a third embodiment of a beverage container showing my new design.  
FIG. 18 is a bottom perspective view thereof.  
FIG. 19 is a left side elevational view thereof.  
FIG. 20 is a front elevational view thereof.  
FIG. 21 is a rear elevational view thereof.  
FIG. 22 is a right side elevational view thereof.  
FIG. 23 is a top plan view thereof; and,  
FIG. 24 is a bottom plan view thereof.

**1 Claim, 21 Drawing Sheets**



(56)

**References Cited**

U.S. PATENT DOCUMENTS

D649,402	S	11/2011	Gilbert et al.	
D651,847	S	1/2012	Gilbert	
D658,007	S	4/2012	George	
D686,040	S	7/2013	Lane	
D687,301	S	8/2013	Topinka et al.	
D705,058	S	5/2014	Kim	
8,727,176	B2 *	5/2014	El-Saden	..... A47G 19/2272 220/715
8,844,762	B2 *	9/2014	Chiou	..... B65D 43/02 220/715
D721,540	S *	1/2015	Grcic	..... D7/511
D741,657	S	10/2015	George	
D742,699	S	11/2015	Boroski	
D754,485	S	4/2016	Lapsker	
9,462,904	B2	10/2016	Coon et al.	
D779,273	S *	2/2017	Lee	..... D7/510
D784,763	S	4/2017	Oshana	
D808,219	S *	1/2018	Heiberger	..... D7/510
D820,091	S	6/2018	Phillips et al.	
10,023,366	B2 *	7/2018	Gilbert	..... A47G 19/2272
2008/0272134	A1	11/2008	Rohe	
2012/0305559	A1	12/2012	Steininger	
2014/0263476	A1	9/2014	Blain et al.	

\* cited by examiner

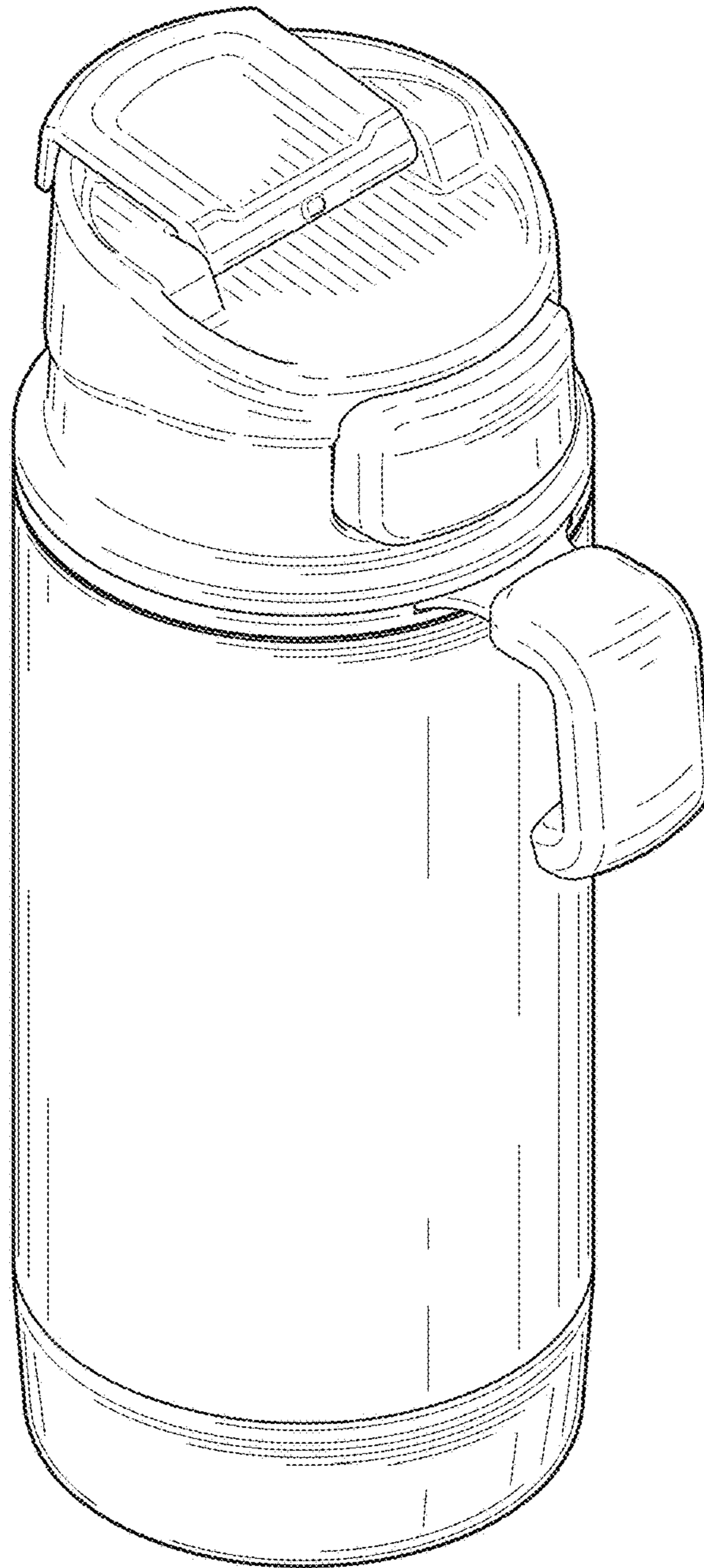


FIG. 1

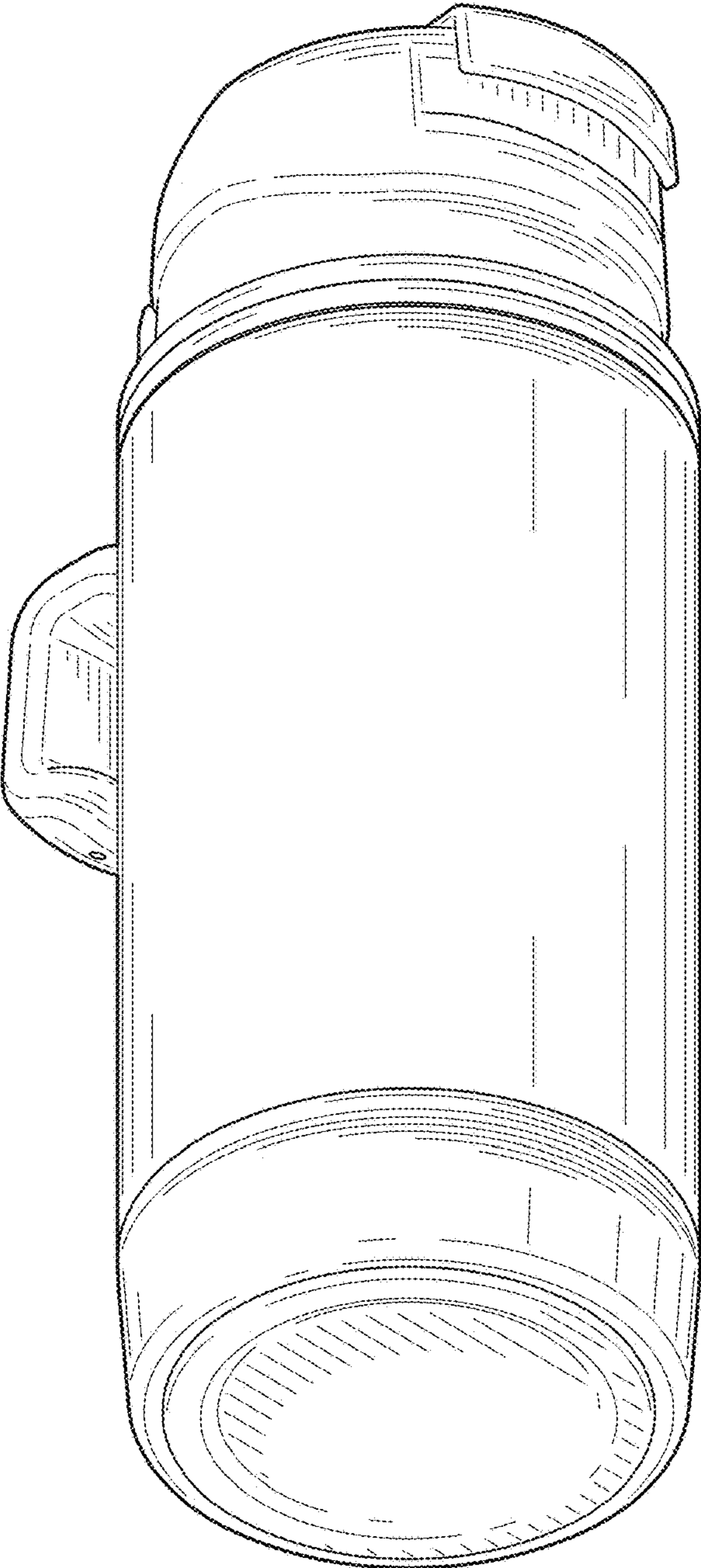


FIG. 2

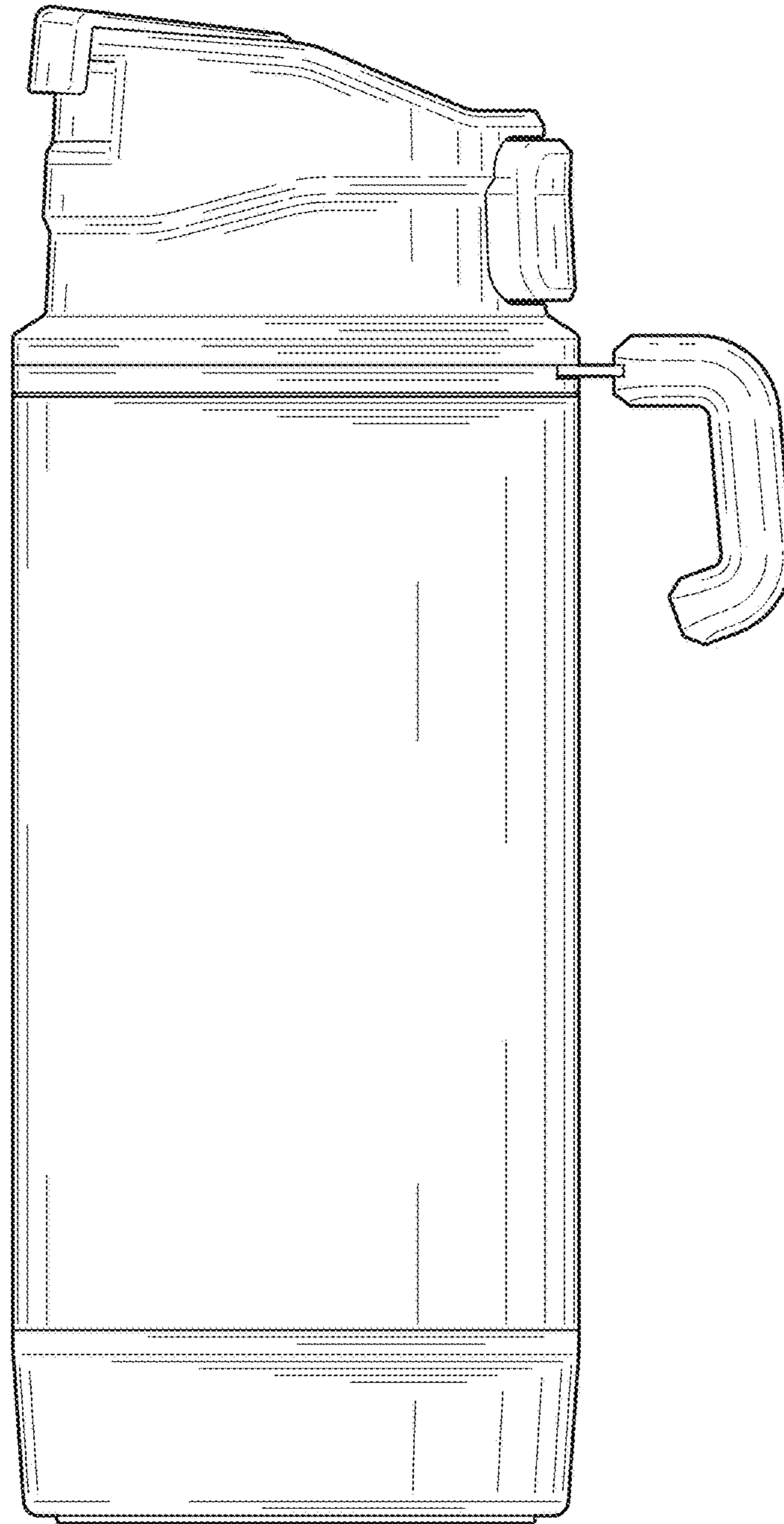


FIG. 3

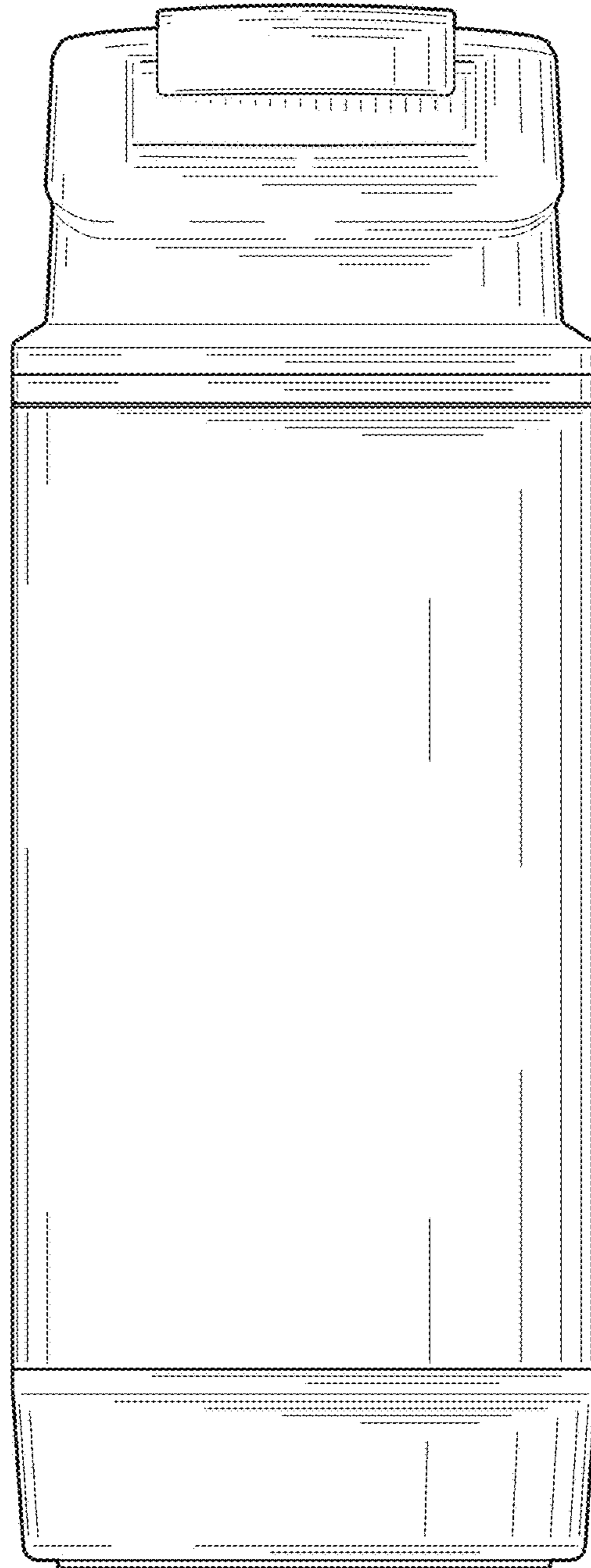


FIG. 4

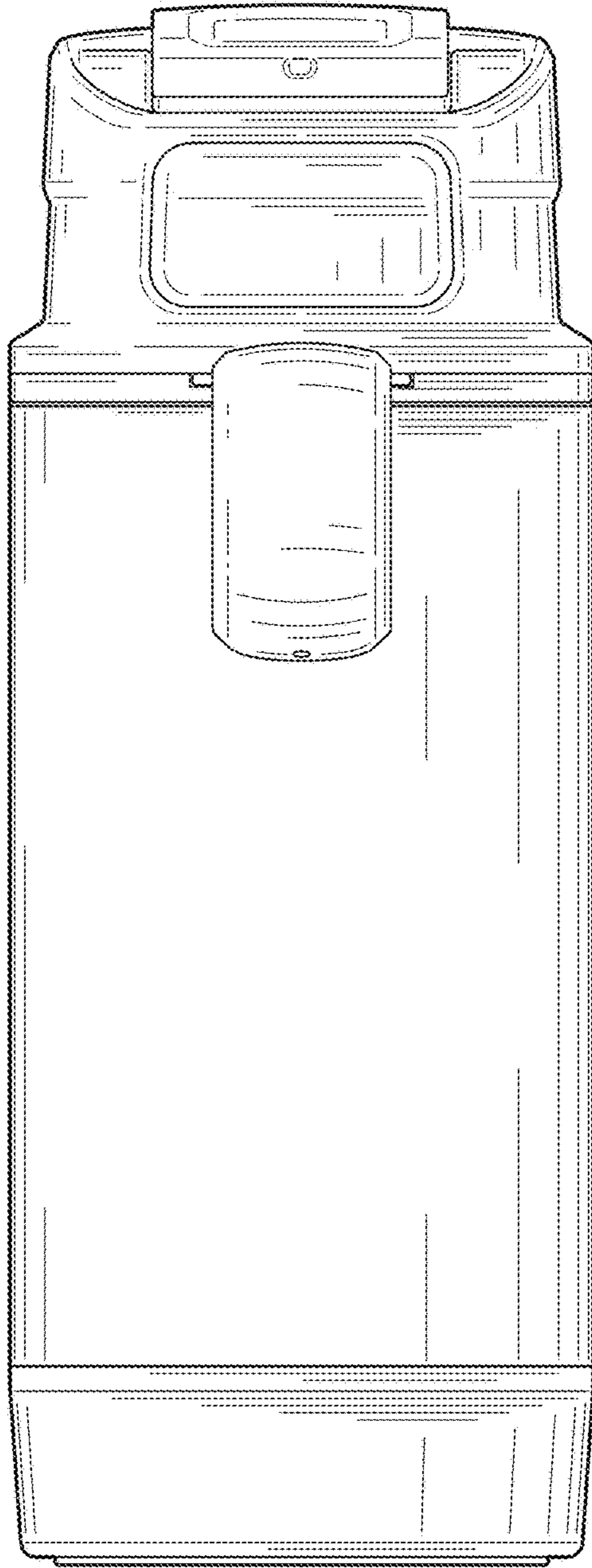


FIG. 5

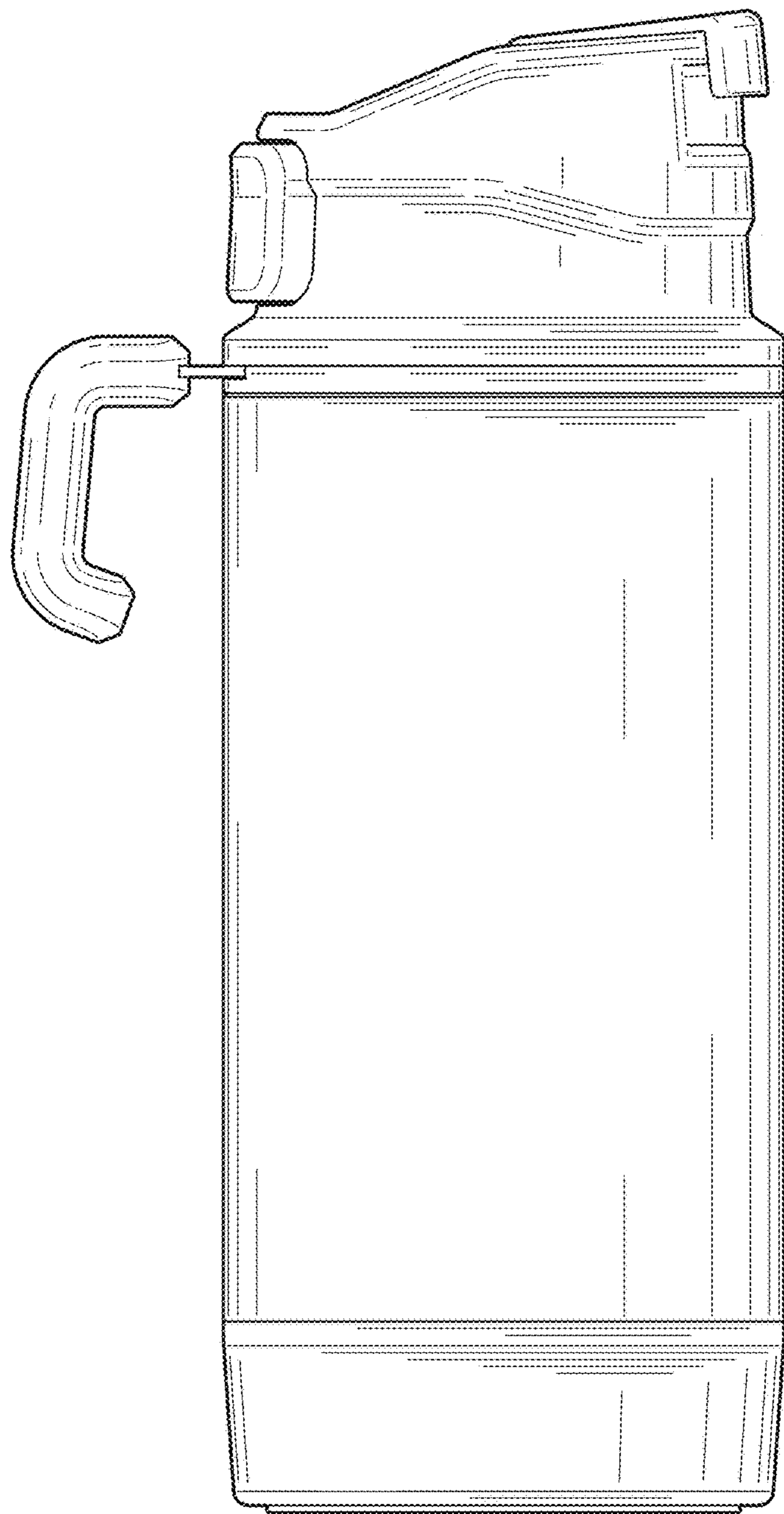


FIG. 6



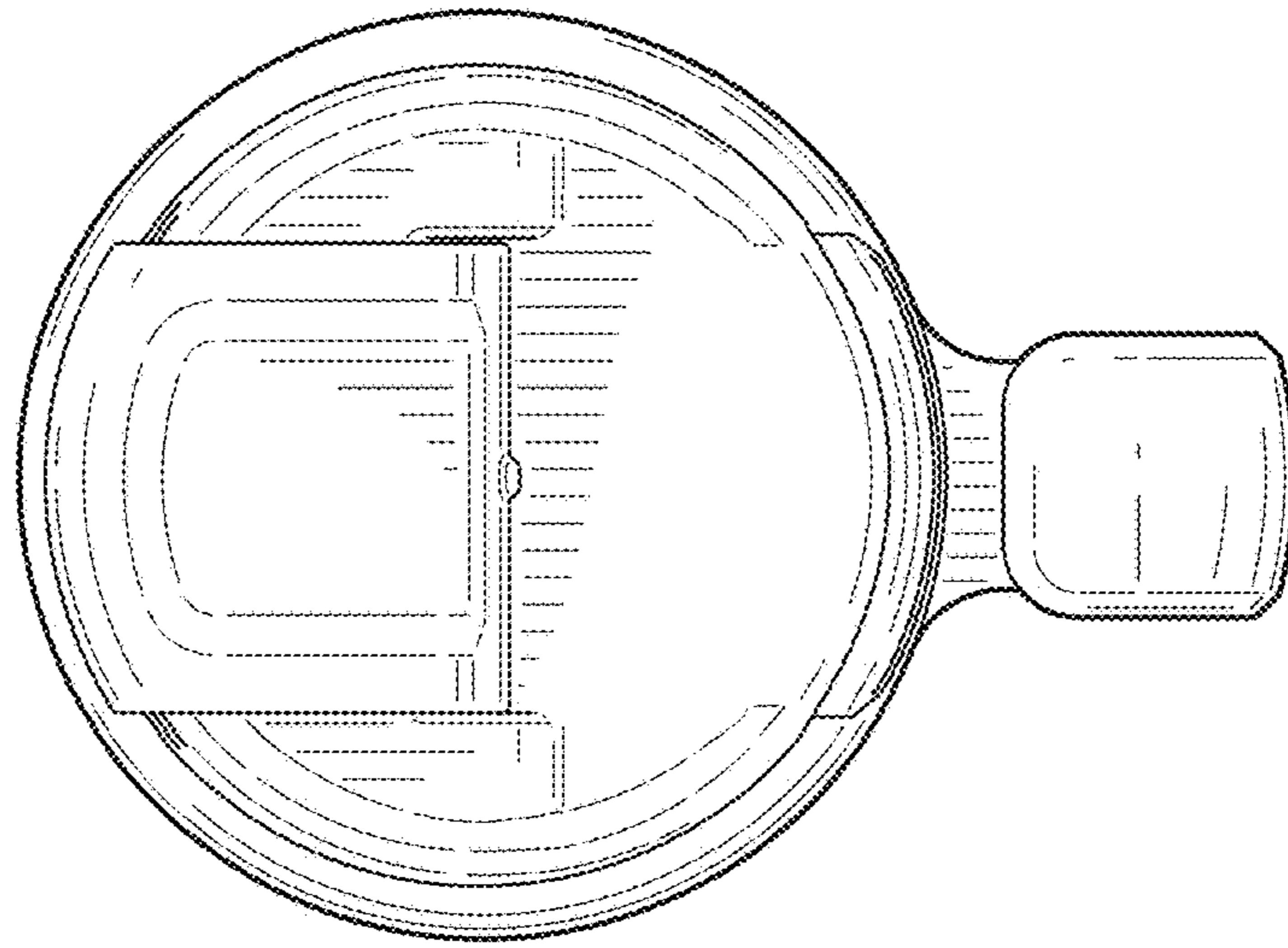


FIG. 7

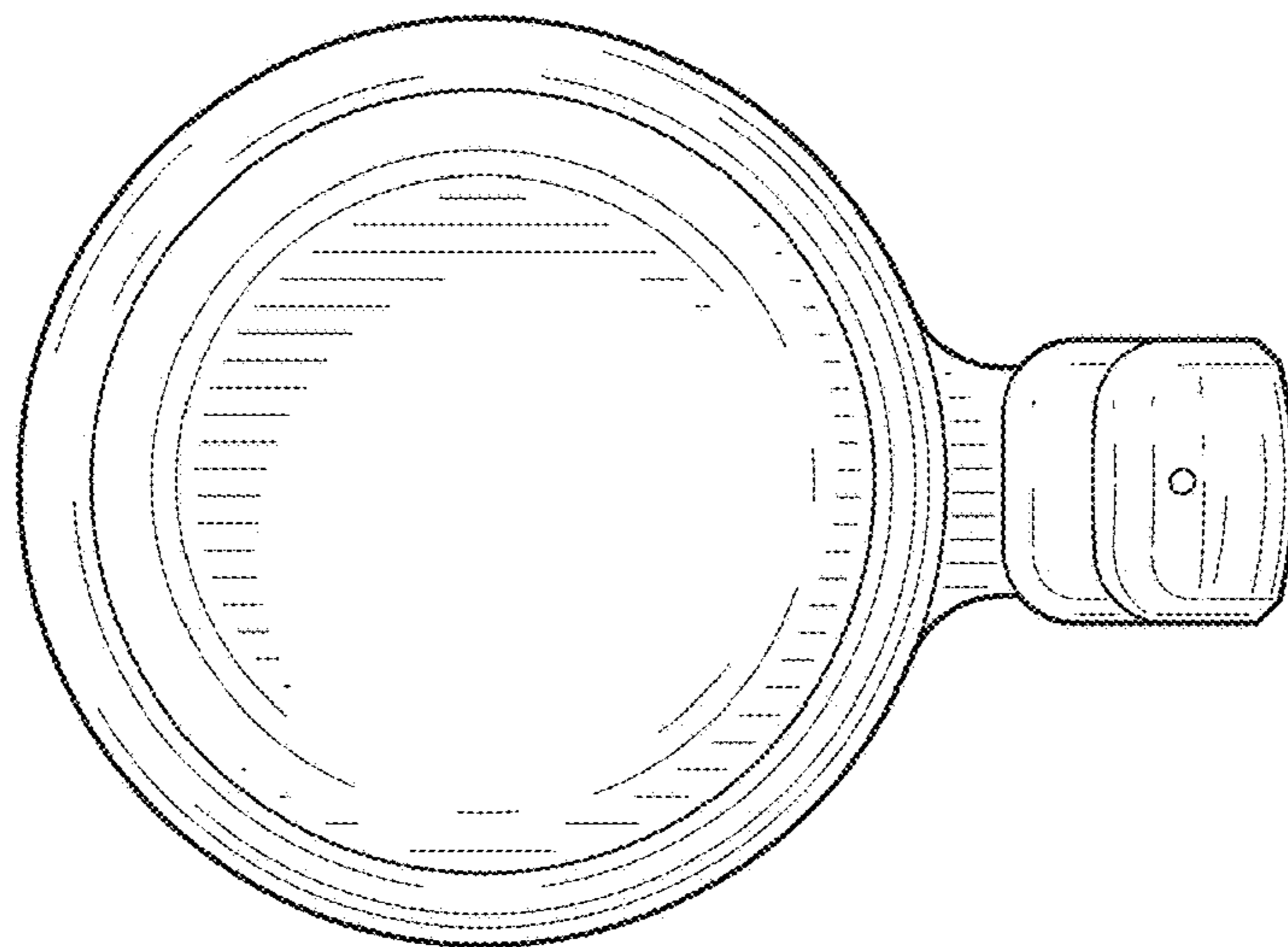


FIG. 8

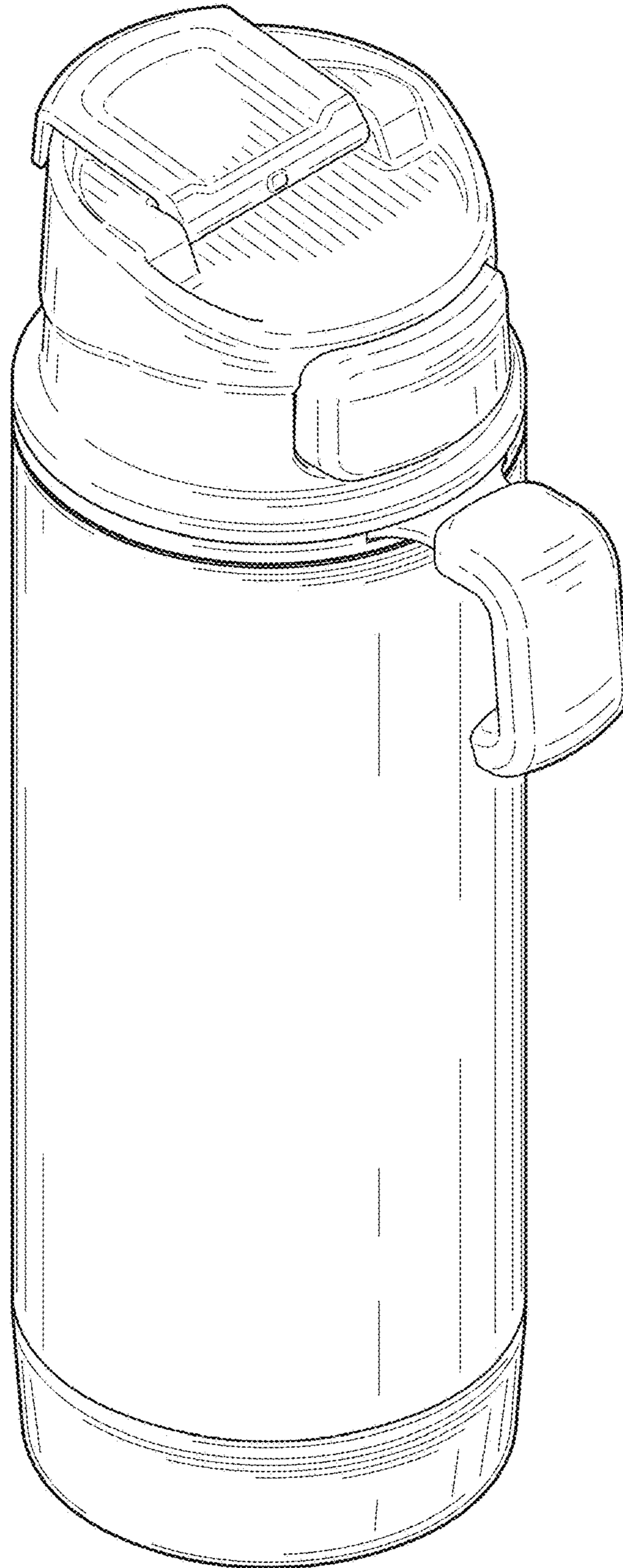


FIG. 9

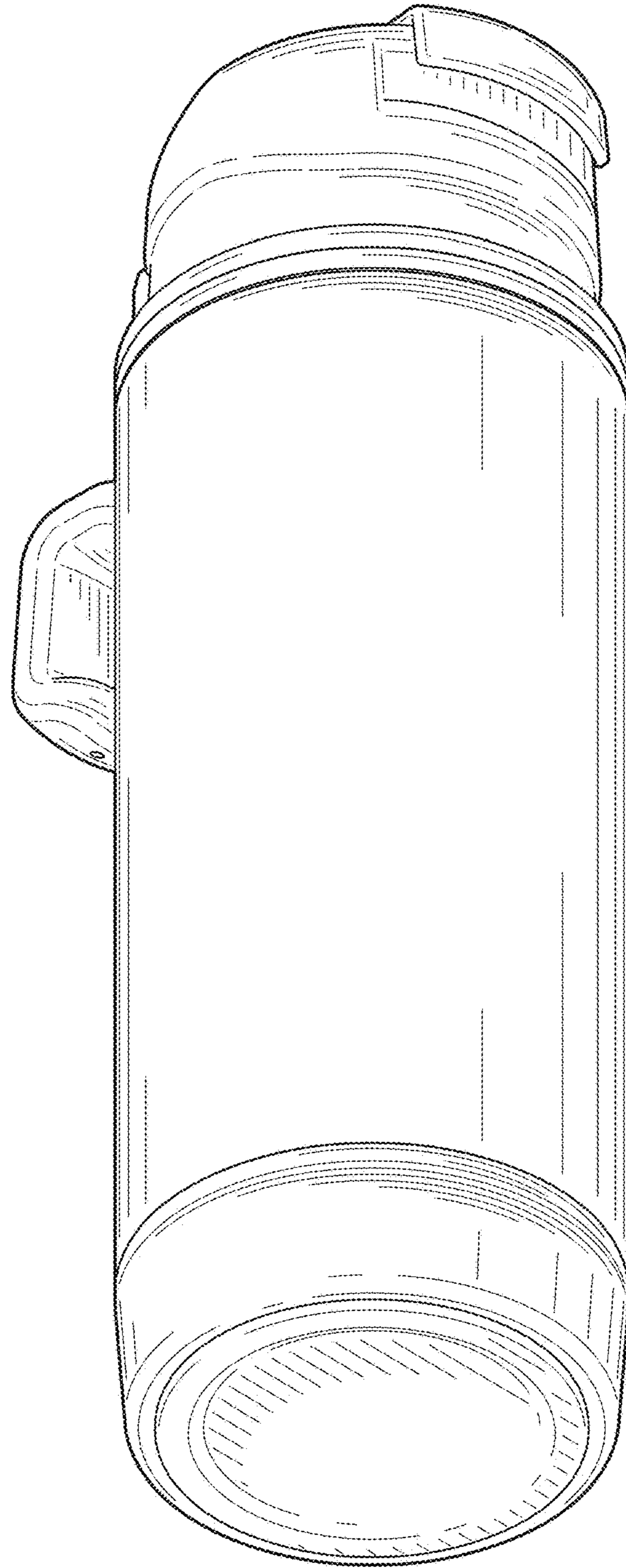


FIG. 10

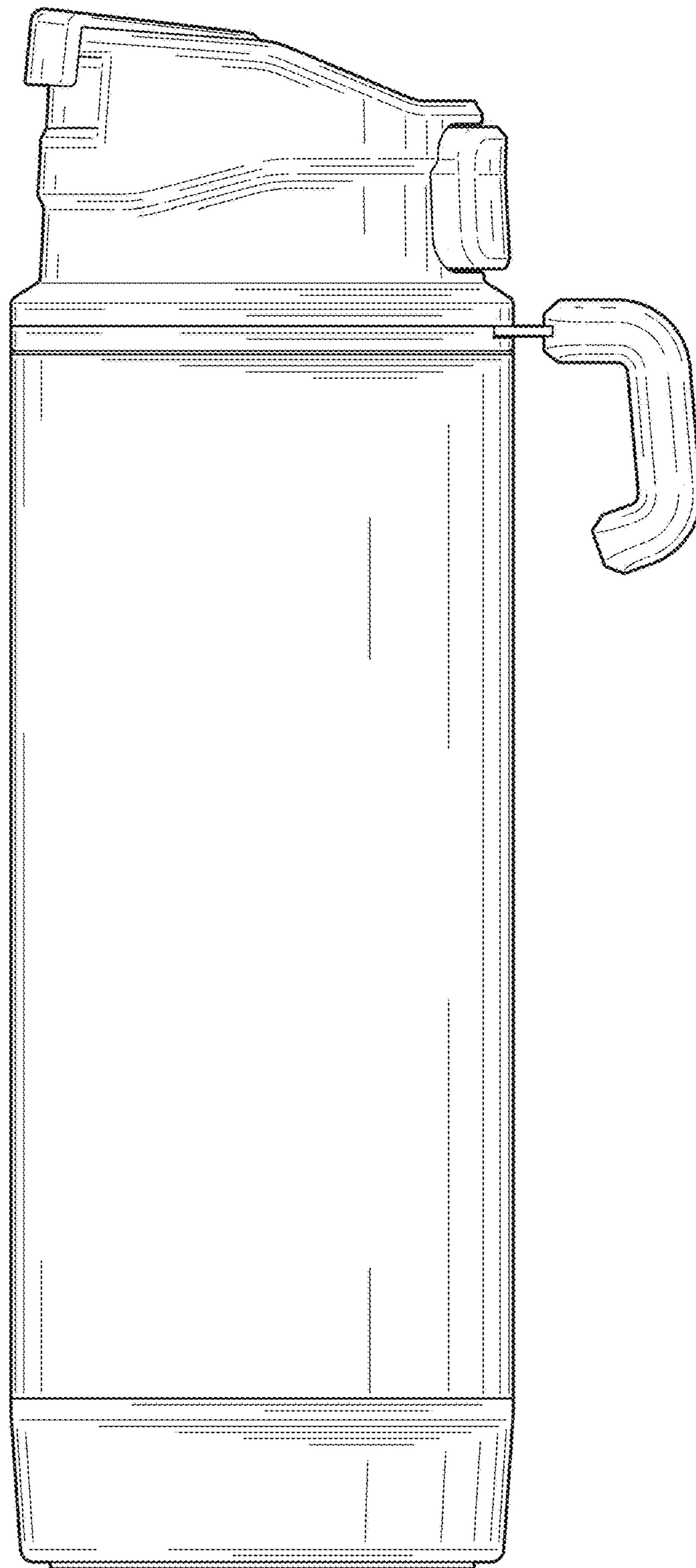


FIG. 11

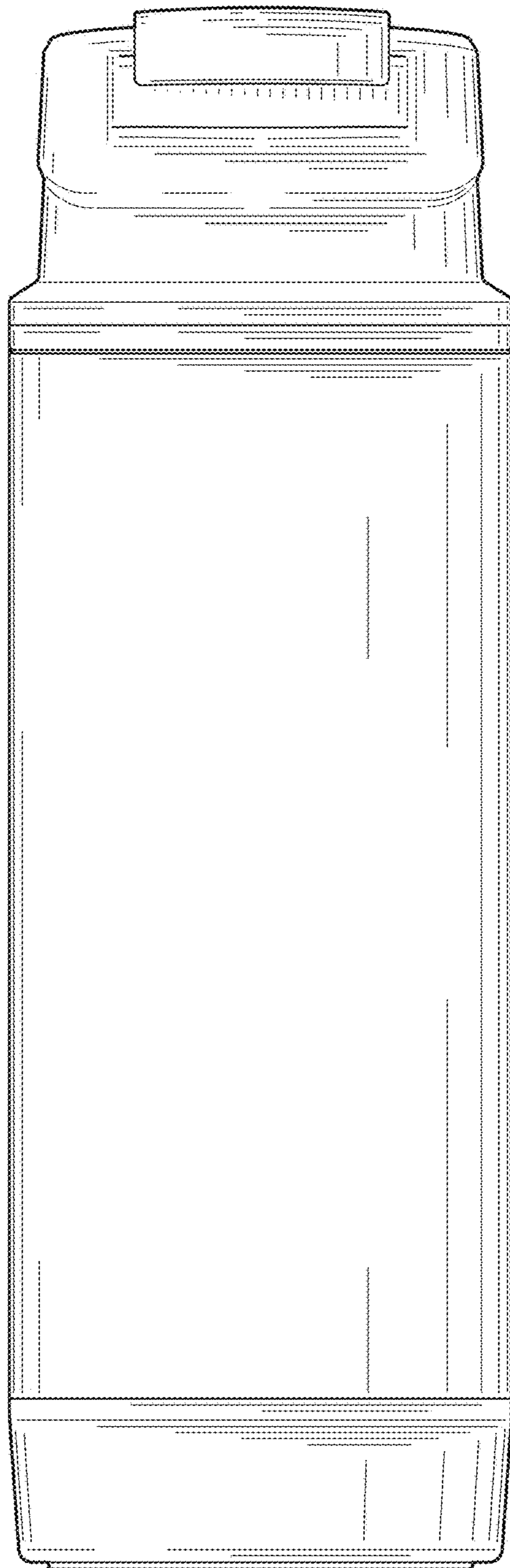


FIG. 12

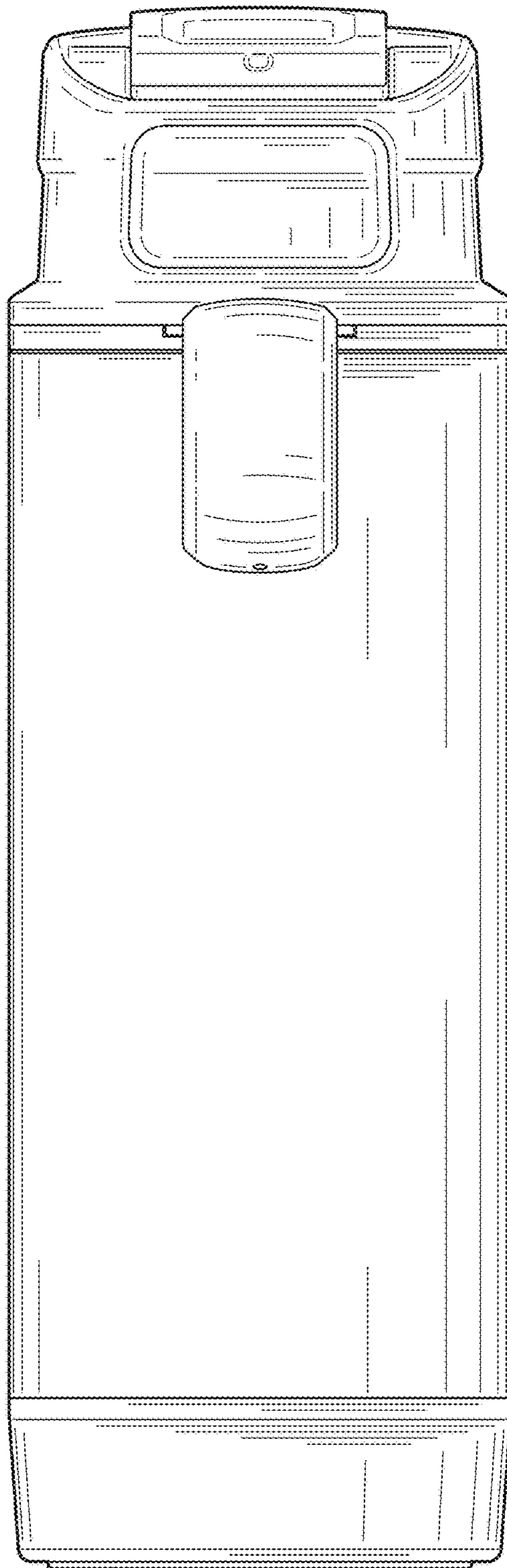


FIG. 13

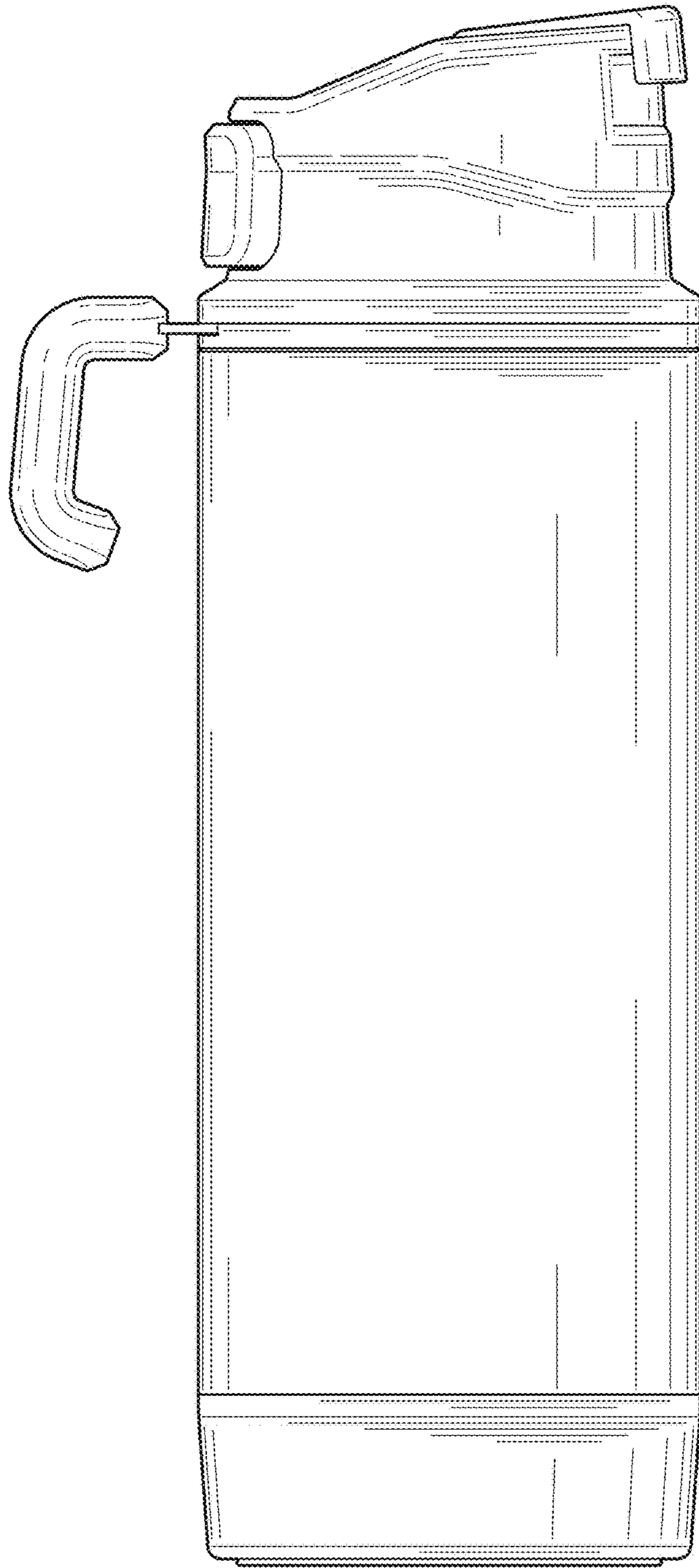


FIG. 14

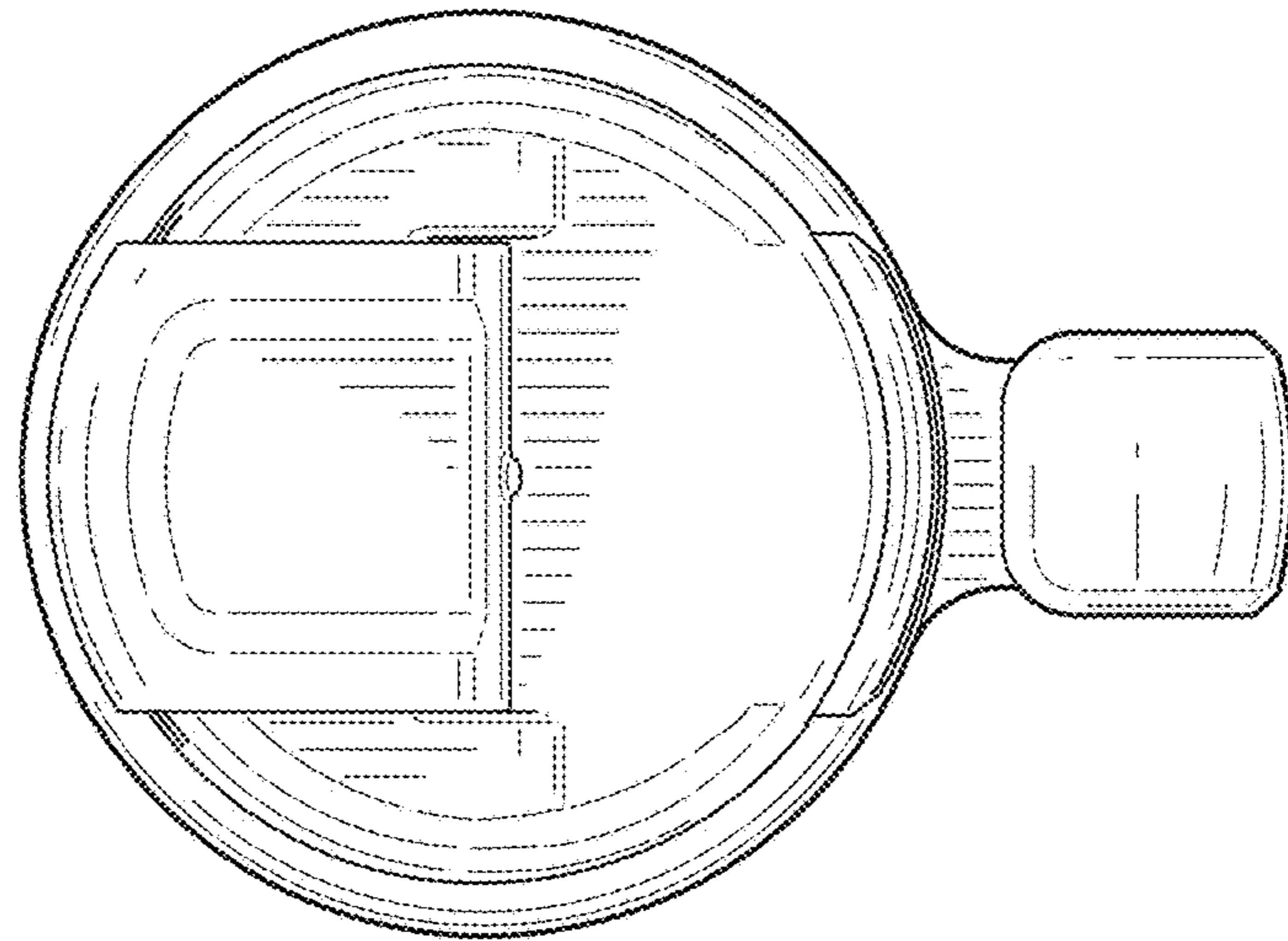


FIG. 15

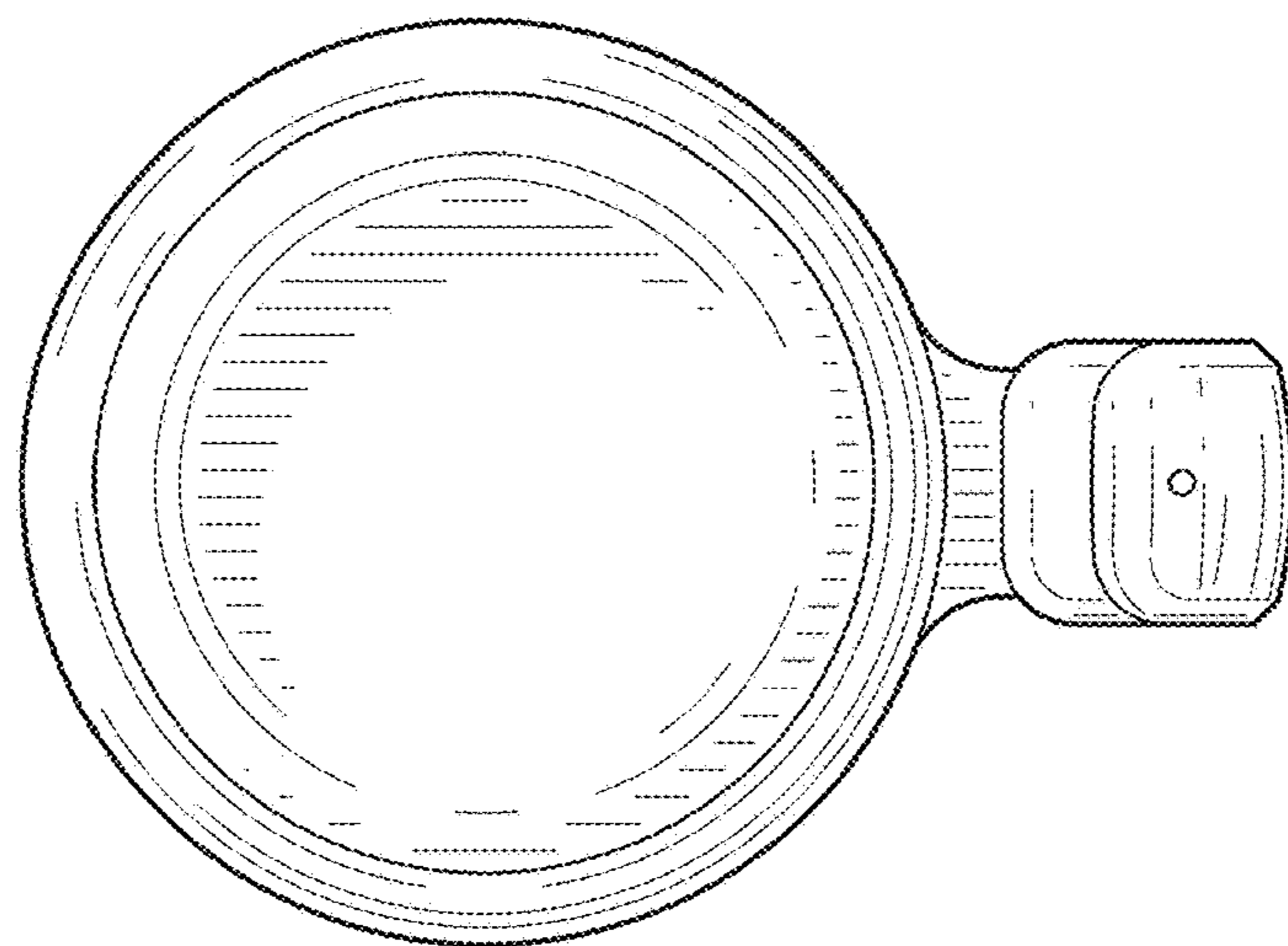


FIG. 16



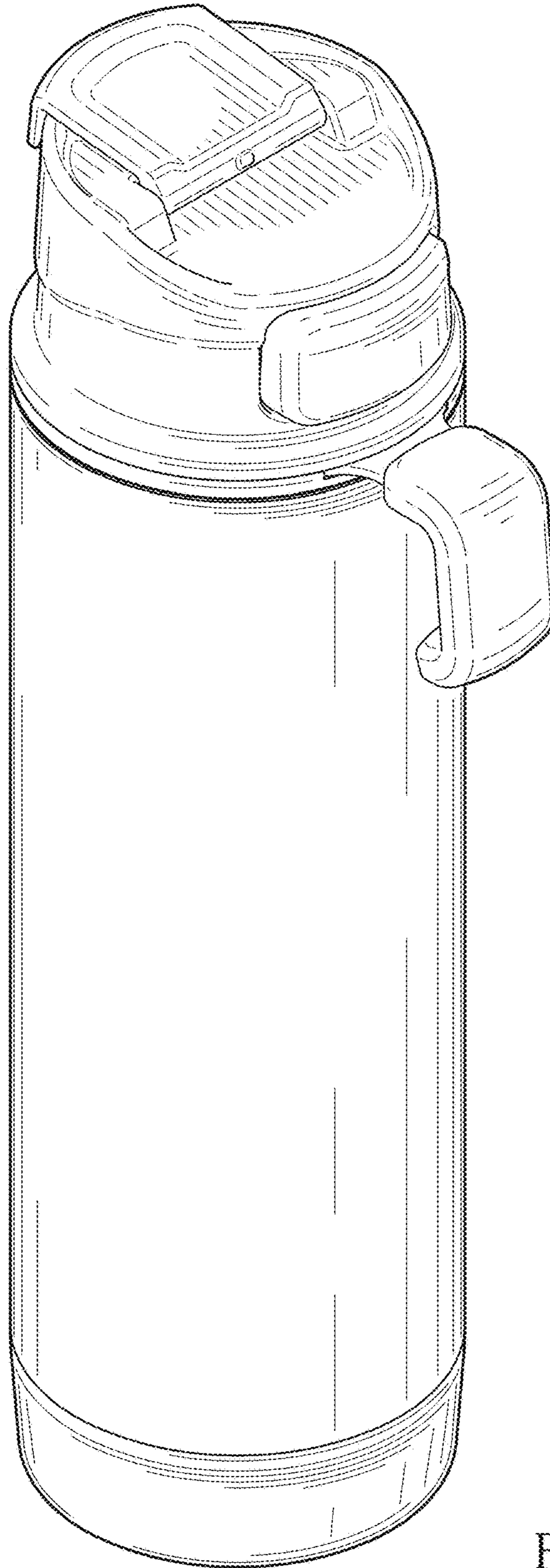


FIG. 17

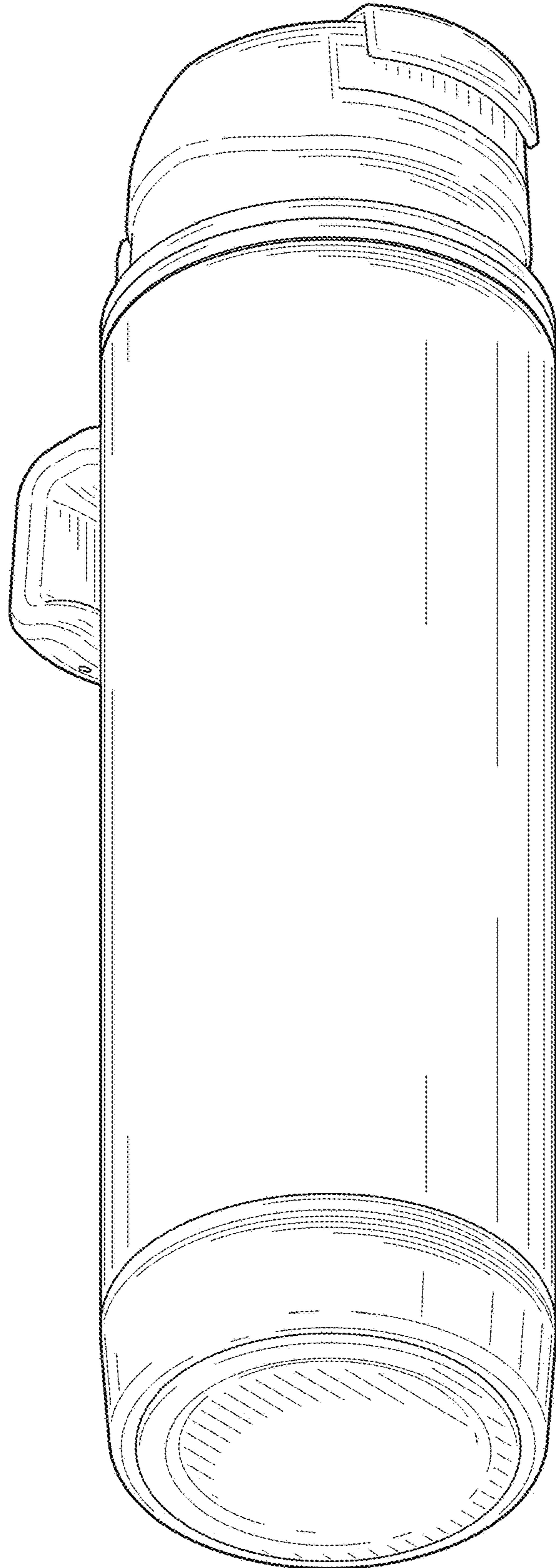


FIG. 18

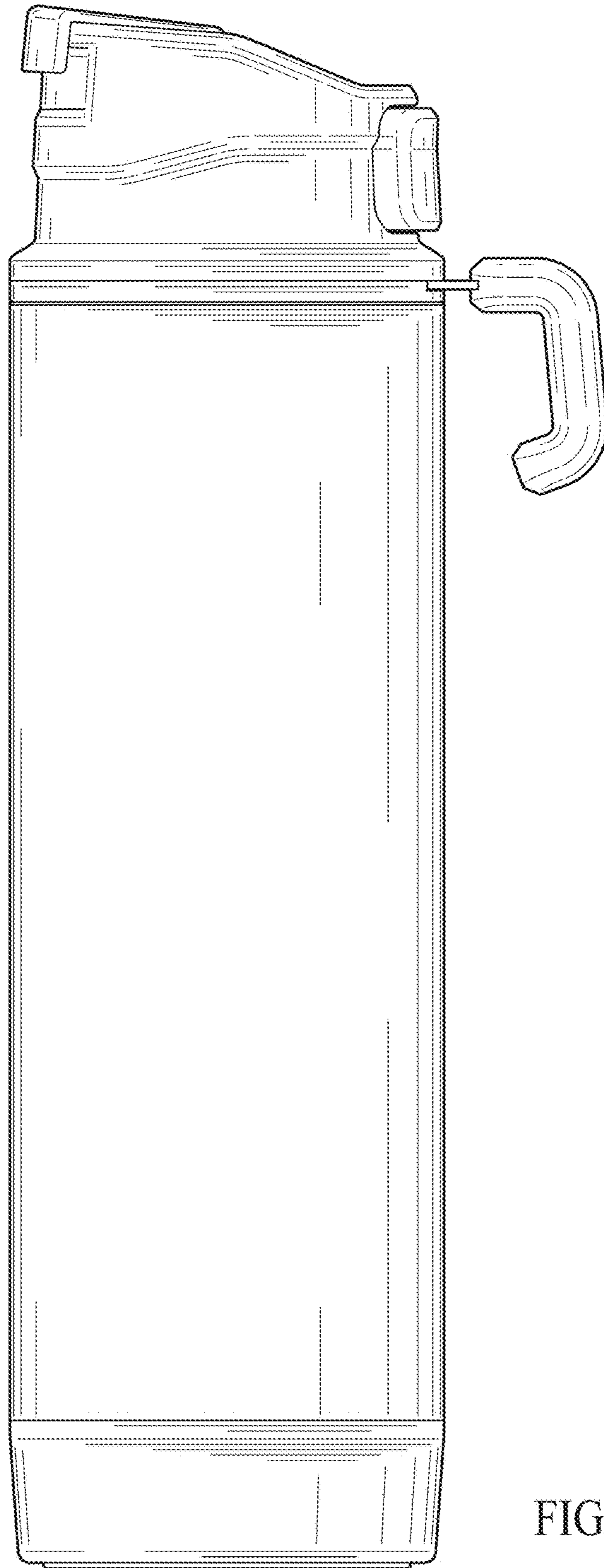


FIG. 19

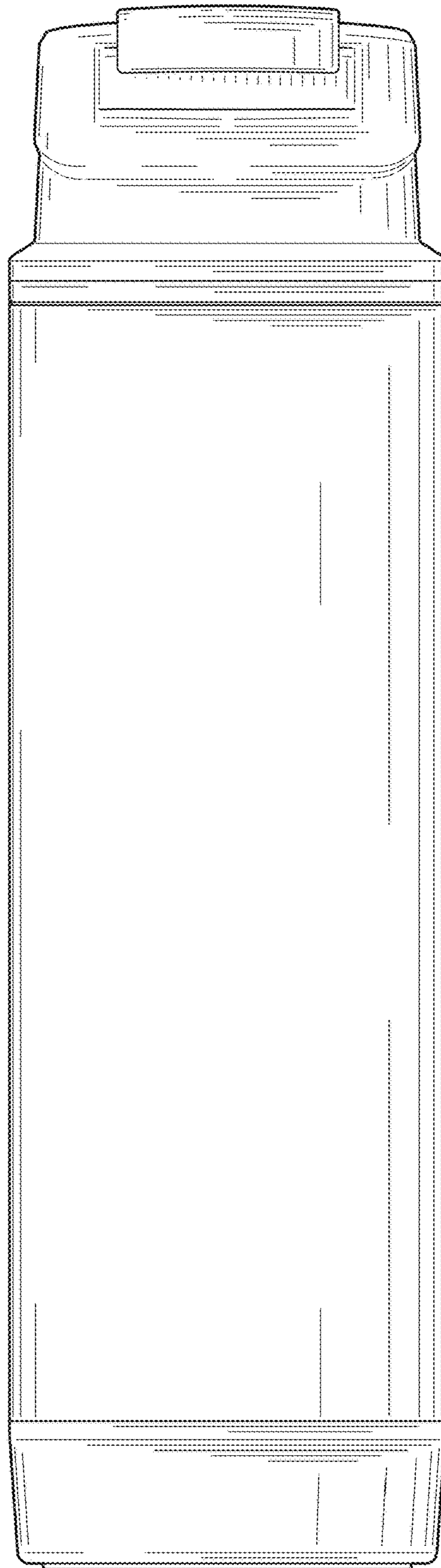


FIG. 20

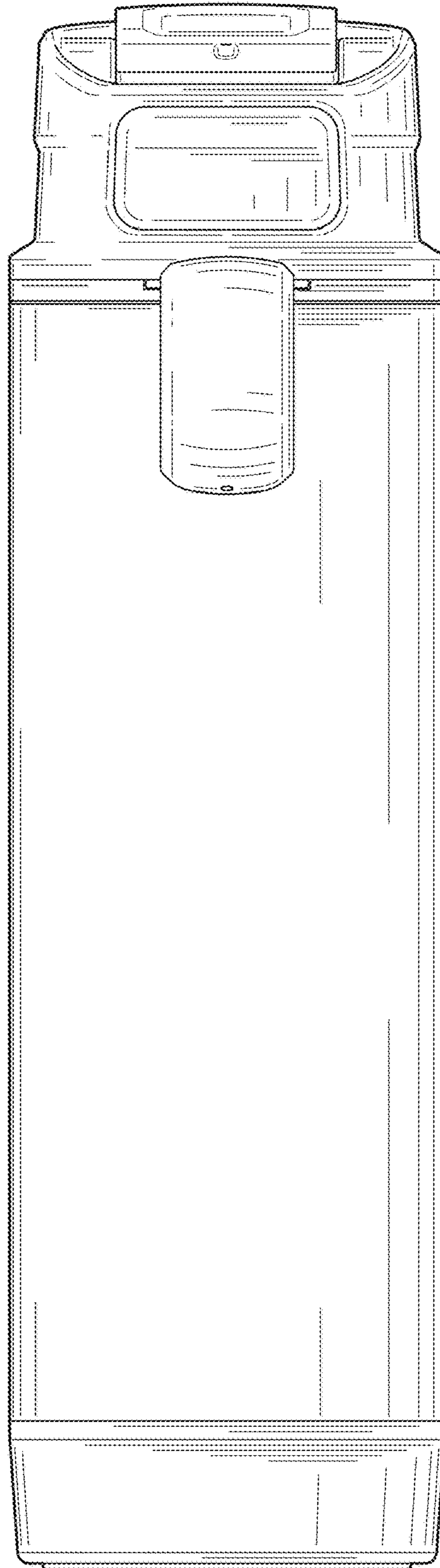


FIG. 21

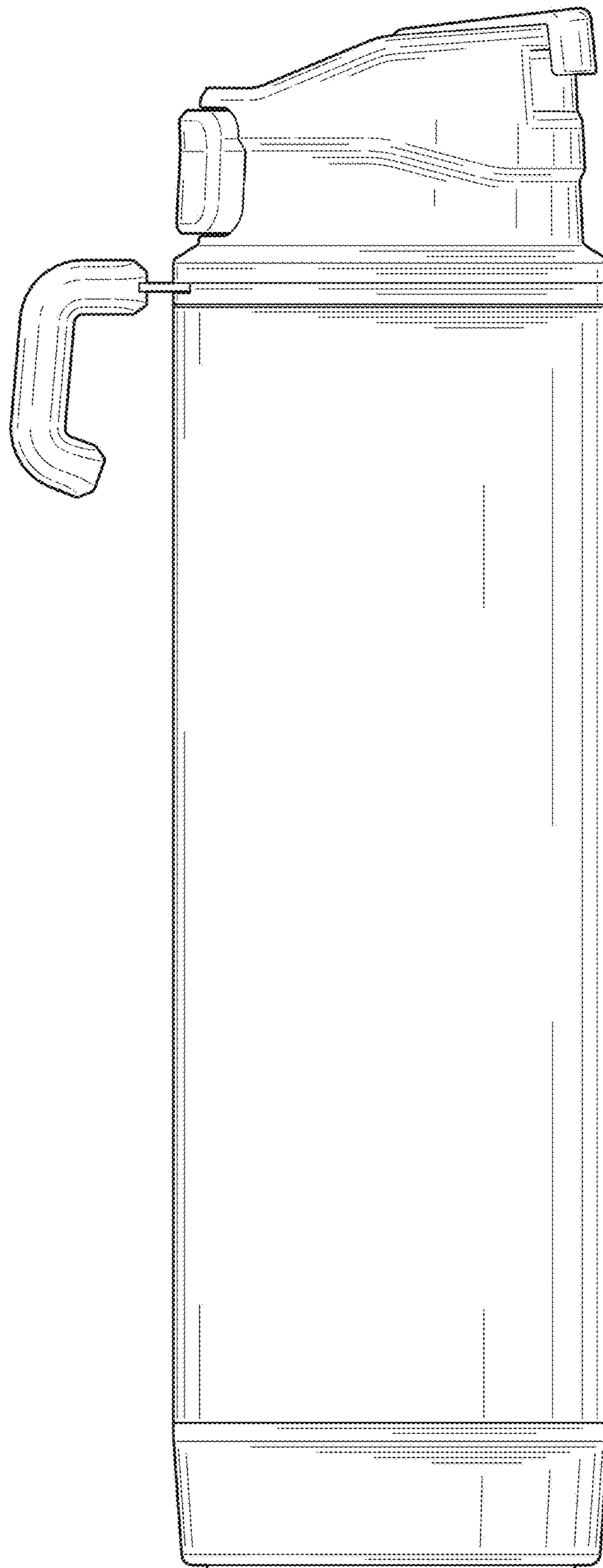


FIG. 22

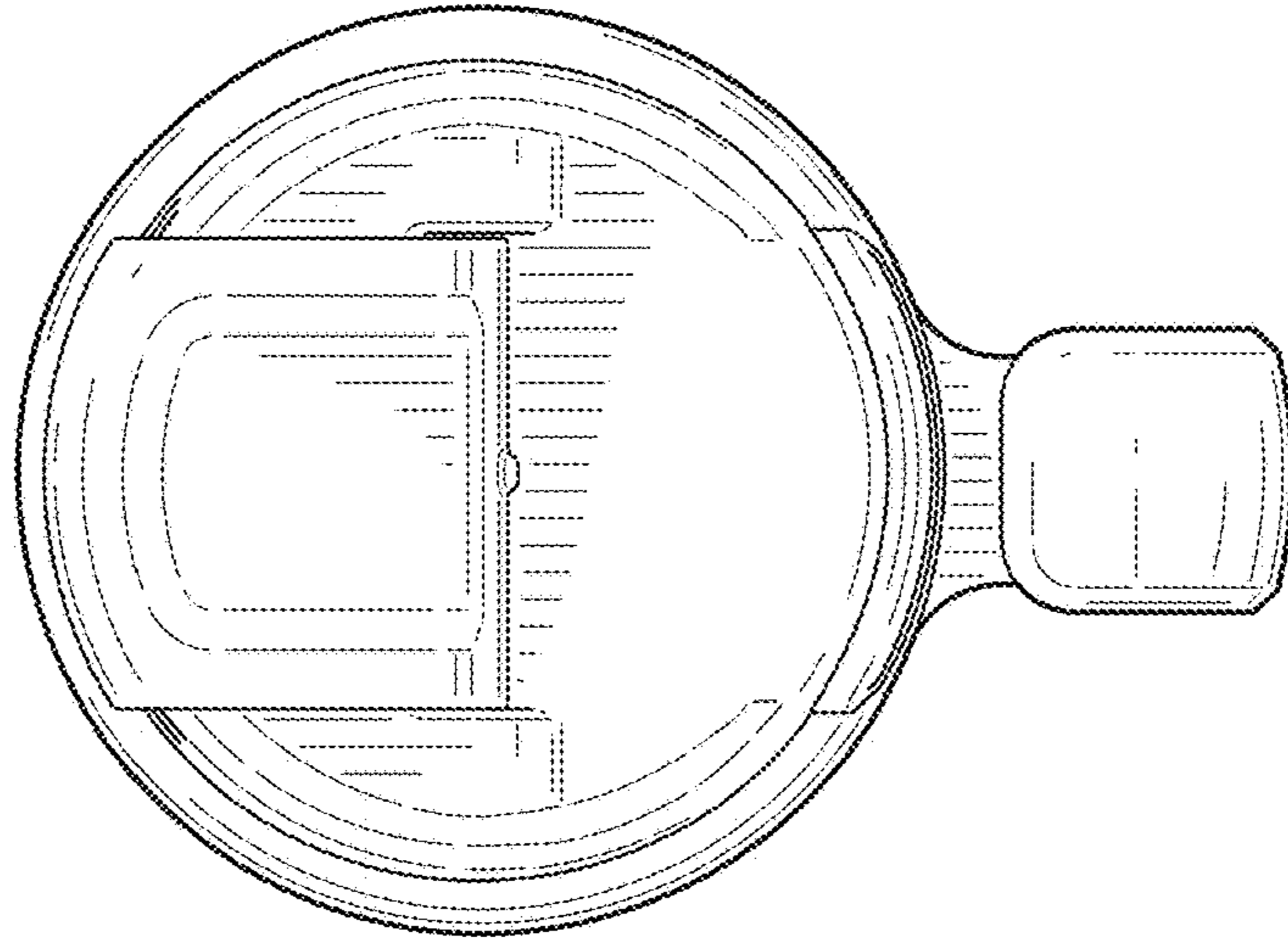


FIG. 23

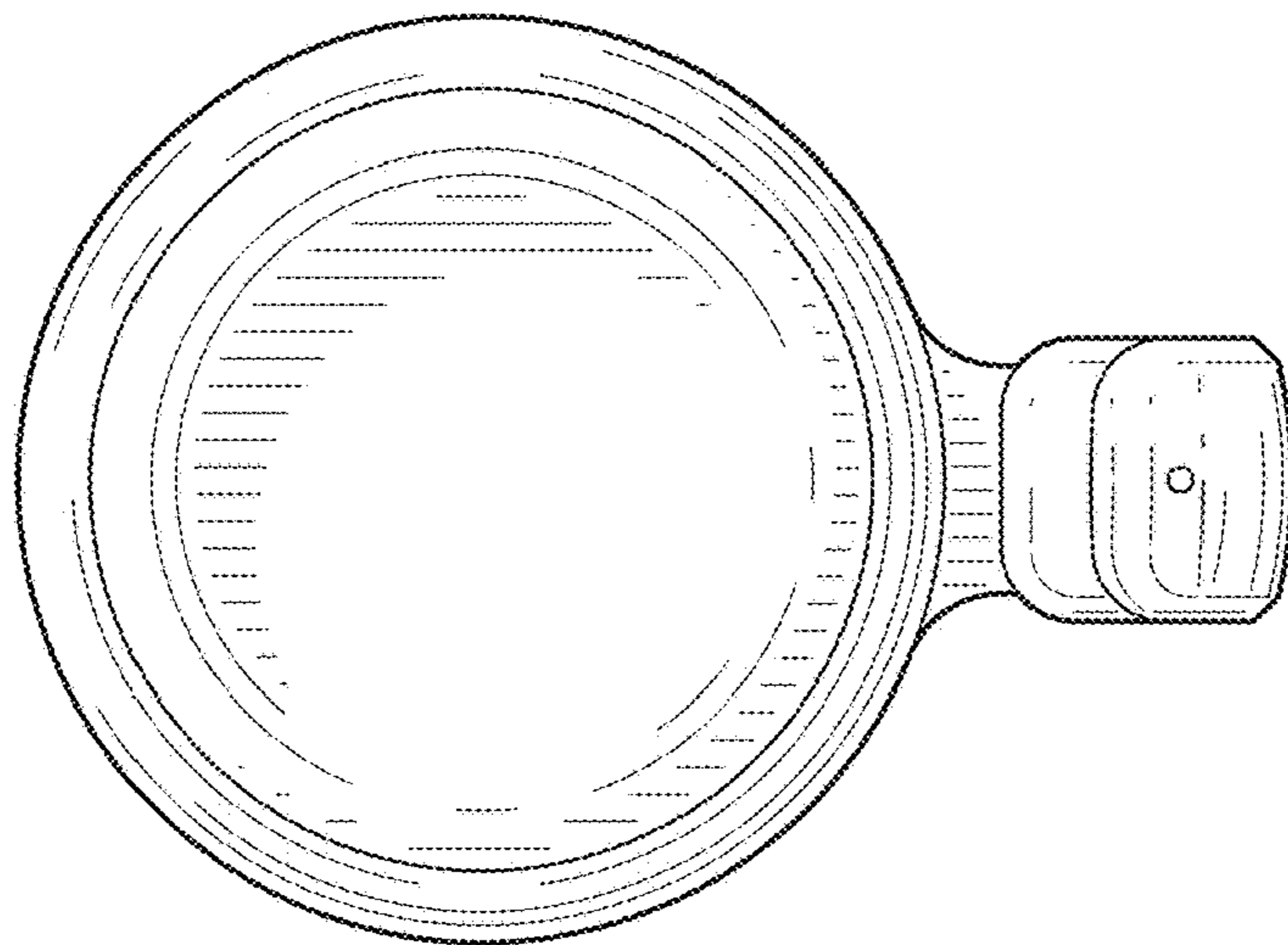


FIG. 24