



US00D850208S

(12) **United States Design Patent**  
**Han**

(10) **Patent No.:** **US D850,208 S**  
(45) **Date of Patent:** **\*\* Jun. 4, 2019**

(54) **SIPPY CUP WITH A SOFT SPOUT**

(71) Applicant: **BARENTHAL NORTH AMERICA, INC.**, Whippany, NJ (US)

(72) Inventor: **Hongyuan Han**, New Vernon, NJ (US)

(73) Assignee: **Barenthal North America, Inc.**, Whippany, NJ (US)

(\*\*) Term: **15 Years**

(21) Appl. No.: **29/629,438**

(22) Filed: **Dec. 13, 2017**

(51) **LOC (11) Cl.** ..... **07-01**

(52) **U.S. Cl.**  
USPC ..... **D7/510; D7/511; D7/534**

(58) **Field of Classification Search**  
USPC ..... D7/505, 507, 509, 510, 511, 514, 515, D7/523, 533, 534, 535, 536, 392.1, 396.3, D7/400; 220/200, 592.16, 592.17, 220/495.03; D9/434, 435; D24/197  
CPC ..... A47G 19/2205; A47G 19/22; A47G 19/2211; A47G 19/2216; B65D 1/265; B65D 3/06; A45F 3/20  
See application file for complete search history.

(56) **References Cited**

**U.S. PATENT DOCUMENTS**

D407,269 S *	3/1999	Fletcher	.....	D7/510
D448,244 S *	9/2001	Thomas	.....	D7/510
D476,849 S *	7/2003	Randolph	.....	D7/510
D497,512 S *	10/2004	Randolph	.....	D7/392.1
D551,021 S *	9/2007	Rousso	.....	D7/510
D551,904 S *	10/2007	Rousso	.....	D7/510
D579,721 S *	11/2008	Qian	.....	D7/507
D616,706 S *	6/2010	Bofinger	.....	D24/197
D619,851 S *	7/2010	Miller	.....	D24/197

D625,424 S *	10/2010	MacKay	.....	D24/197
D636,228 S *	4/2011	Marsh	.....	D24/197
D679,948 S *	4/2013	Meyer	.....	D24/197
D683,589 S *	6/2013	Itzek	.....	D7/510
D688,099 S *	8/2013	Hsu	.....	D24/197
D688,100 S *	8/2013	Lao	.....	D24/197
D713,671 S *	9/2014	De Leo	.....	D7/392.1
D747,145 S *	1/2016	Struckmeier	.....	D7/510
D747,146 S *	1/2016	Struckmeier	.....	D7/510
9,591,936 B2 *	3/2017	Randolph	.....	A47G 19/2272
2015/0076050 A1 *	3/2015	May	.....	B01D 35/02 210/232

\* cited by examiner

*Primary Examiner* — Marianne N Pandozzi

*Assistant Examiner* — Jae Liang

(74) *Attorney, Agent, or Firm* — Preti Flaherty Beliveau & Pachios LLP

(57) **CLAIM**

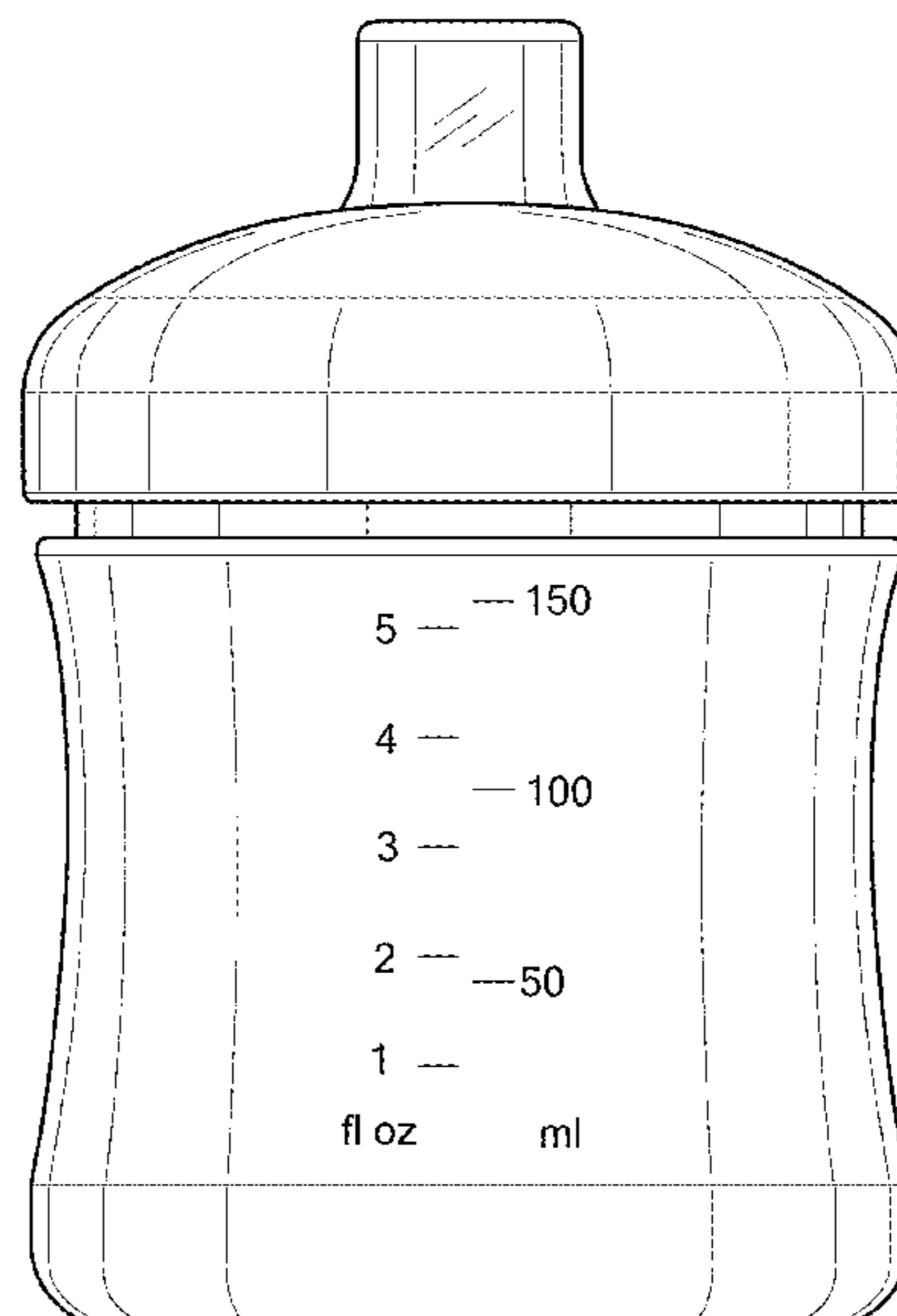
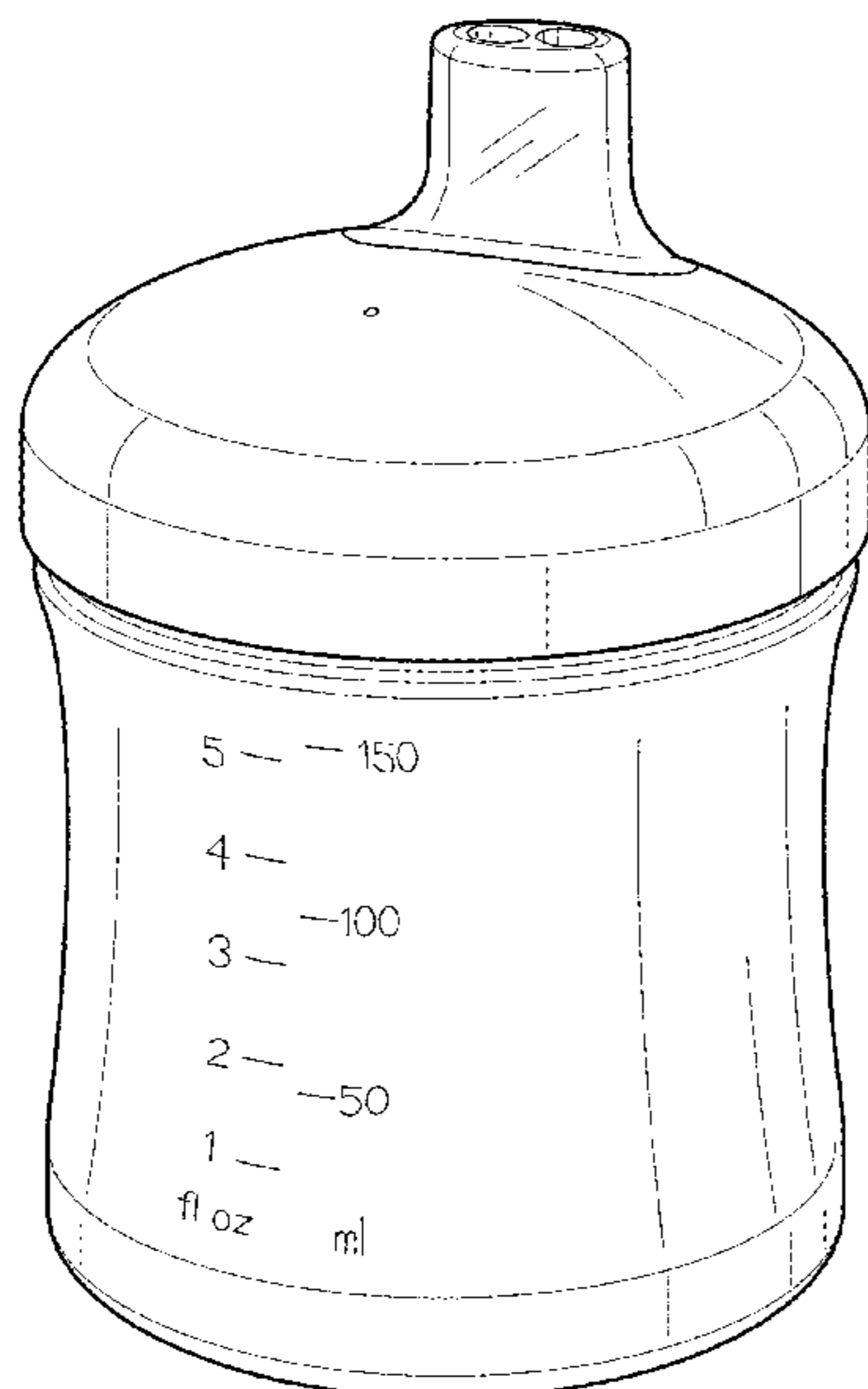
The ornamental design for a sippy cup with a soft spout, as shown and described.

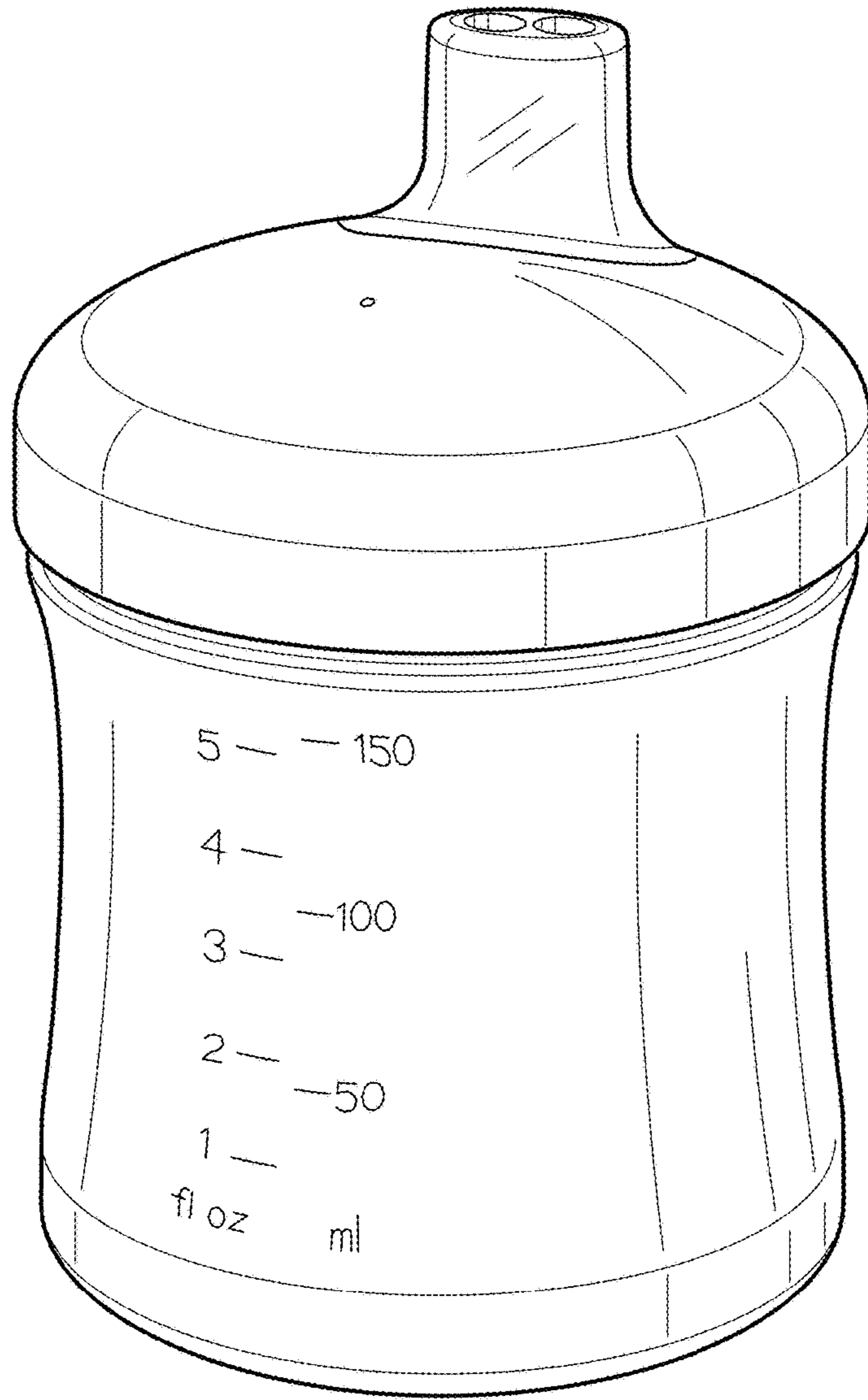
**DESCRIPTION**

FIG. 1 is a top, front, right side perspective view of a sippy cup with a soft spout showing my new design;  
FIG. 2 is another top, front, right side perspective view thereof;  
FIG. 3 is a top view of FIG. 1;  
FIG. 4 is a rear view of FIG. 1;  
FIG. 5 is a front view of FIG. 1;  
FIG. 6 is a left side view of FIG. 1; the right side view being a mirror image thereof; and,  
FIG. 7 is a bottom, front, right side perspective view of FIG. 2.

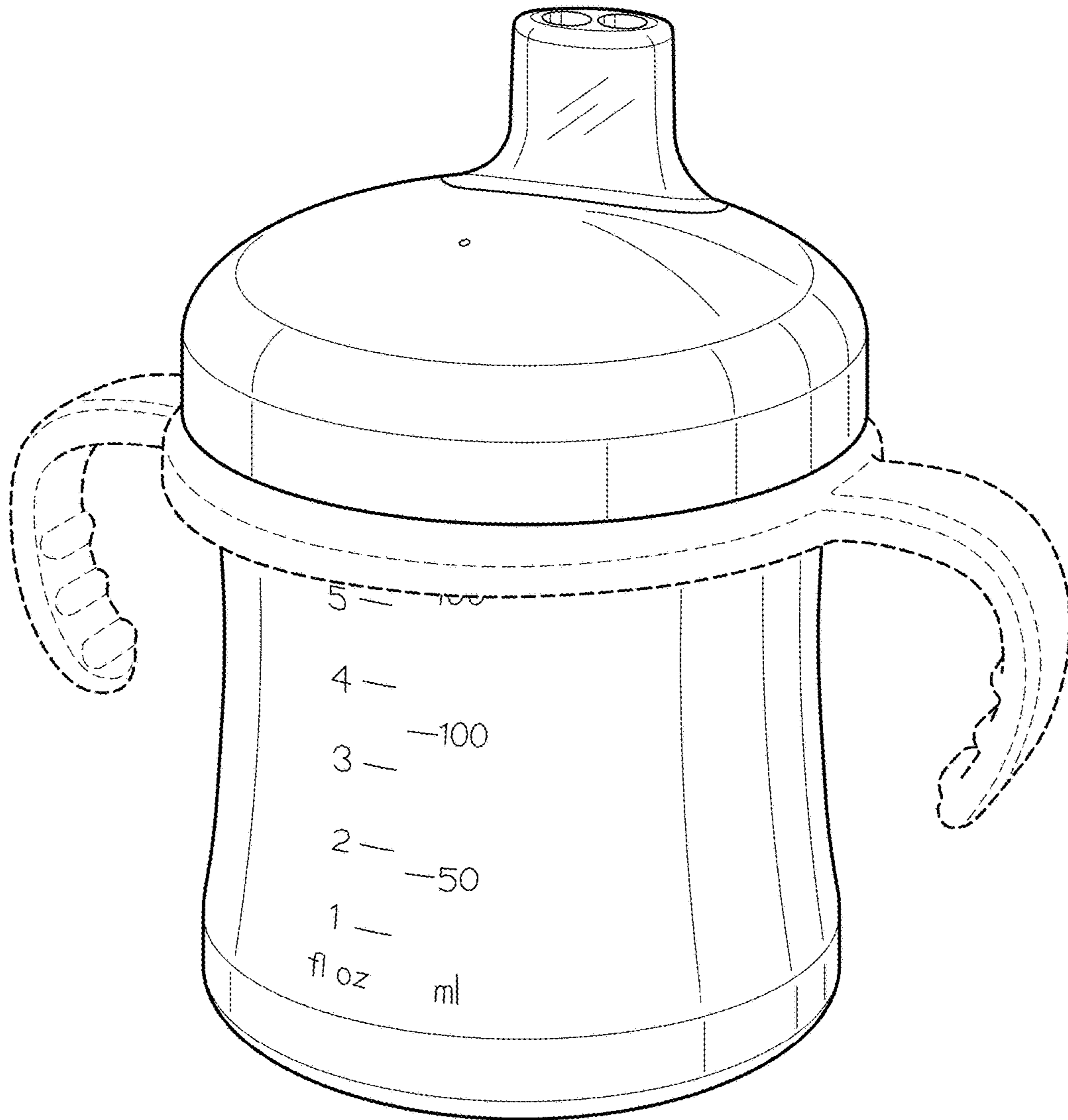
The broken lines in the drawings depict environmental subject matter only and form no part of the claimed design.

**1 Claim, 7 Drawing Sheets**

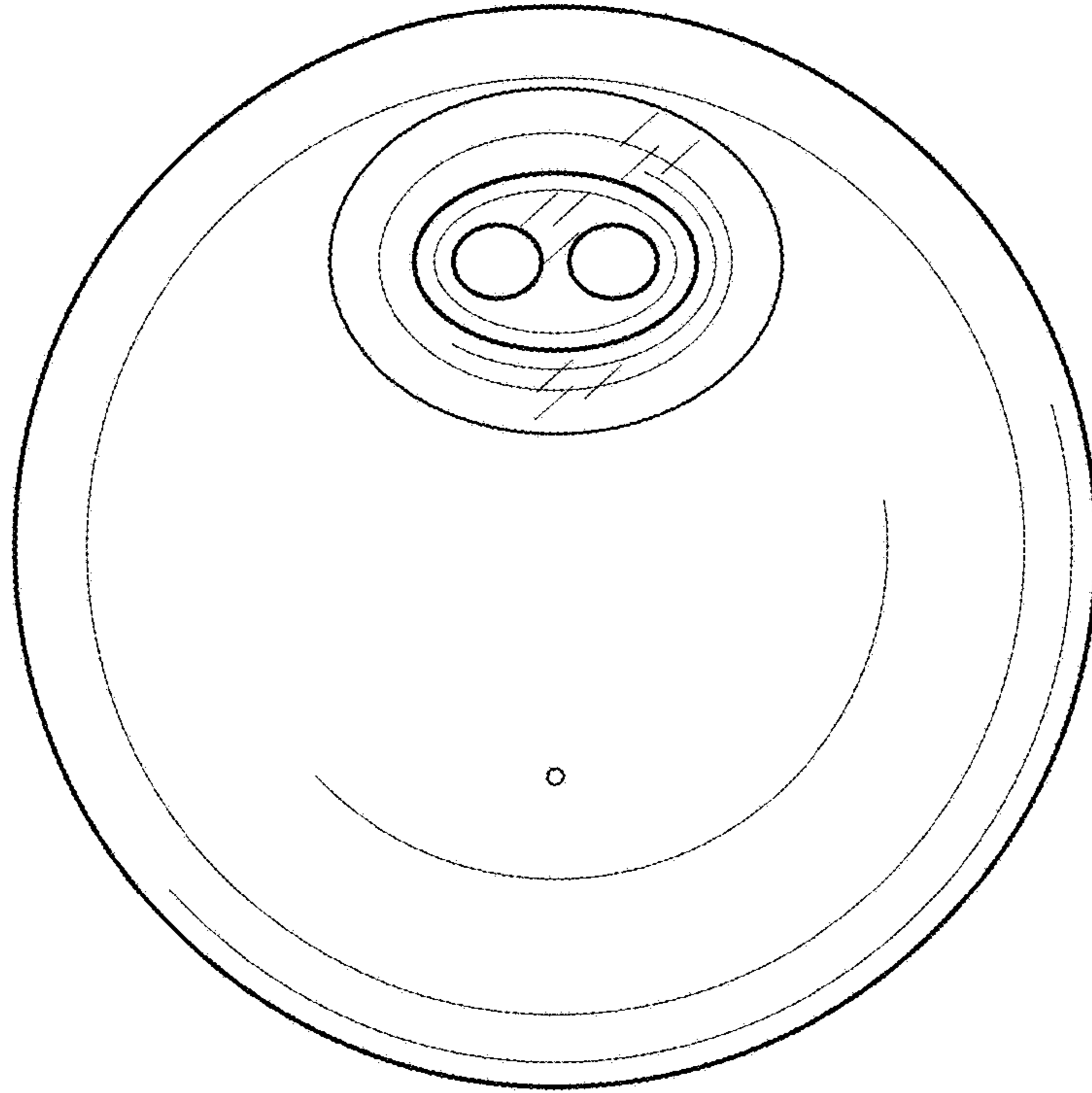




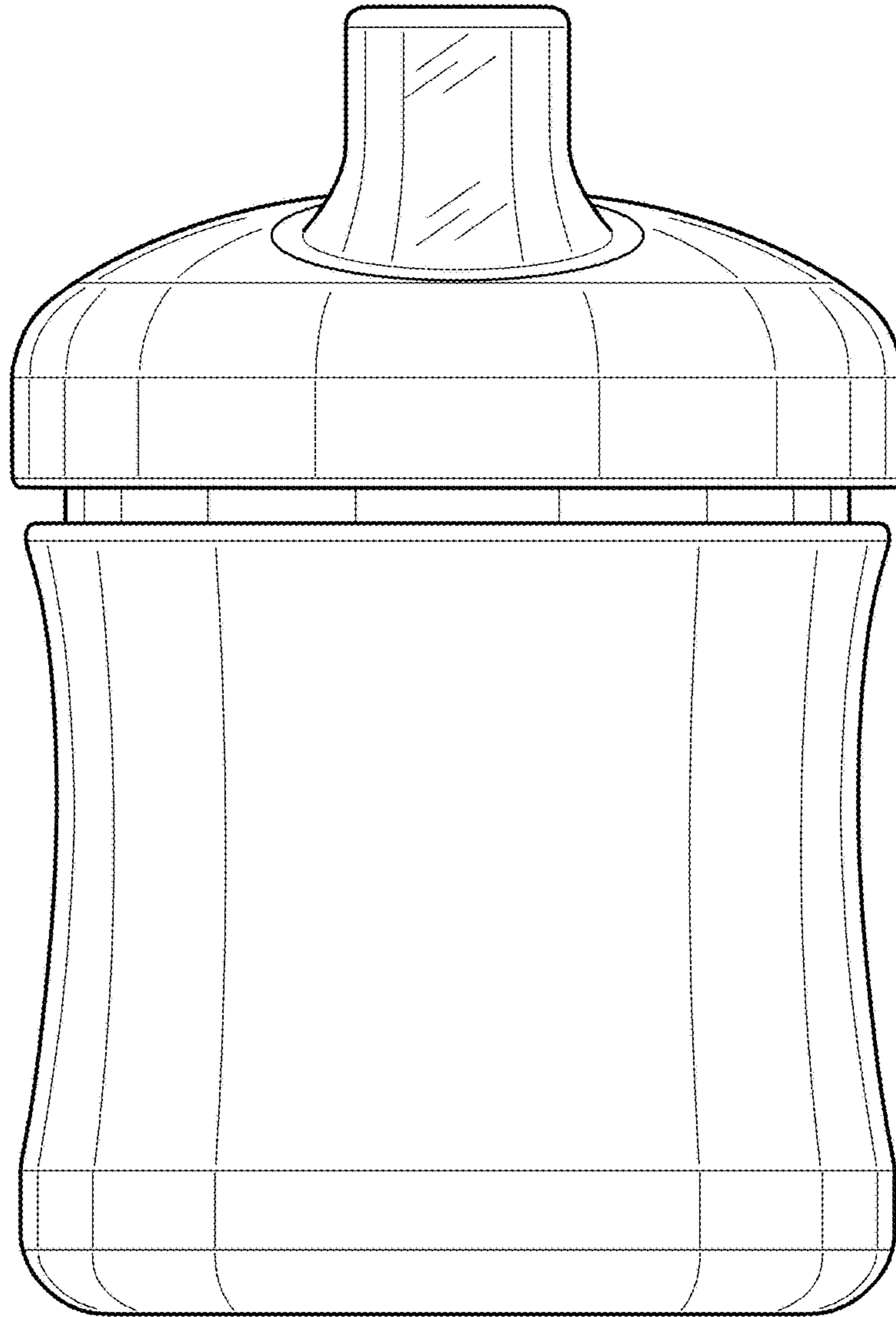
**FIG. 1**



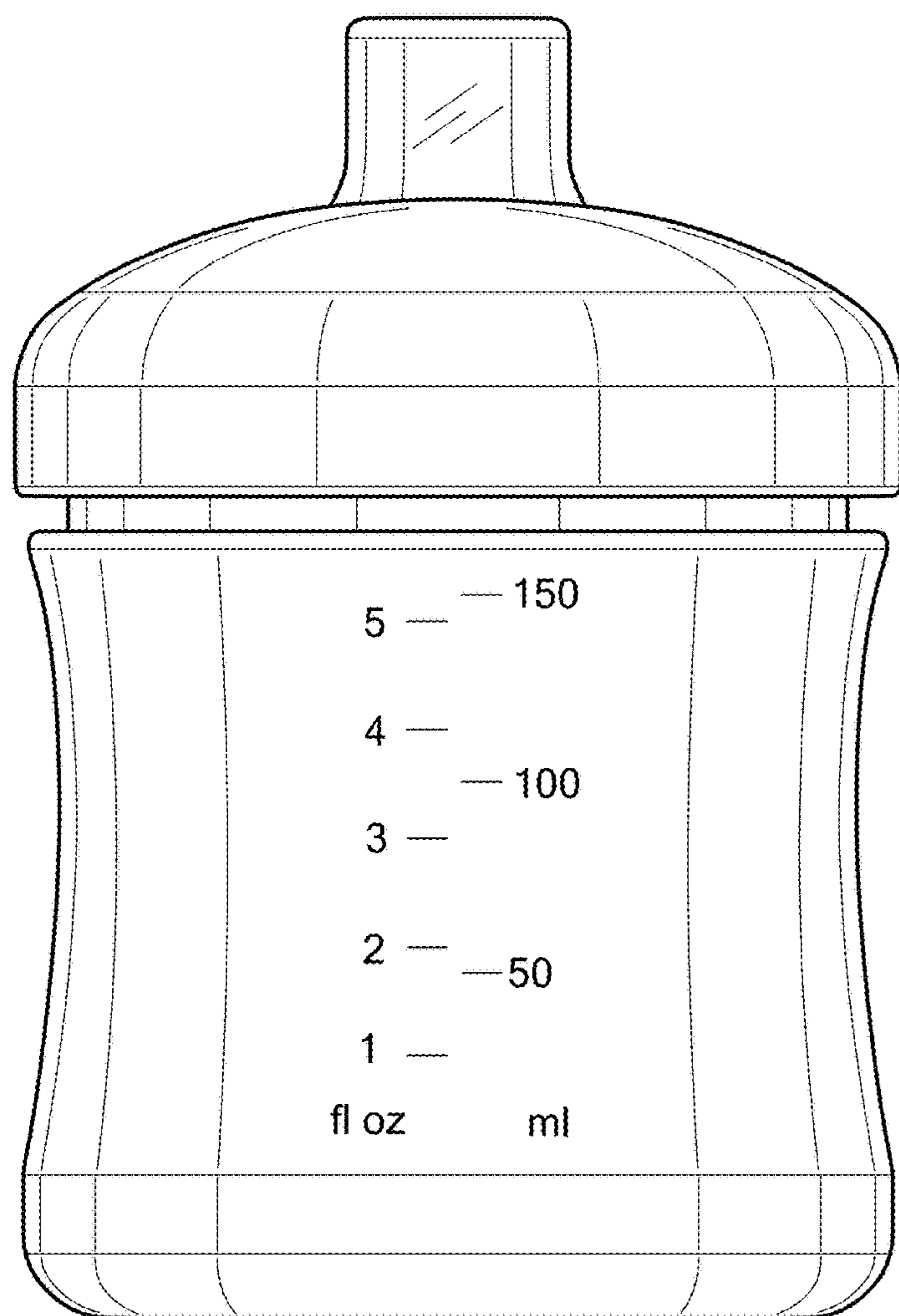
**FIG. 2**



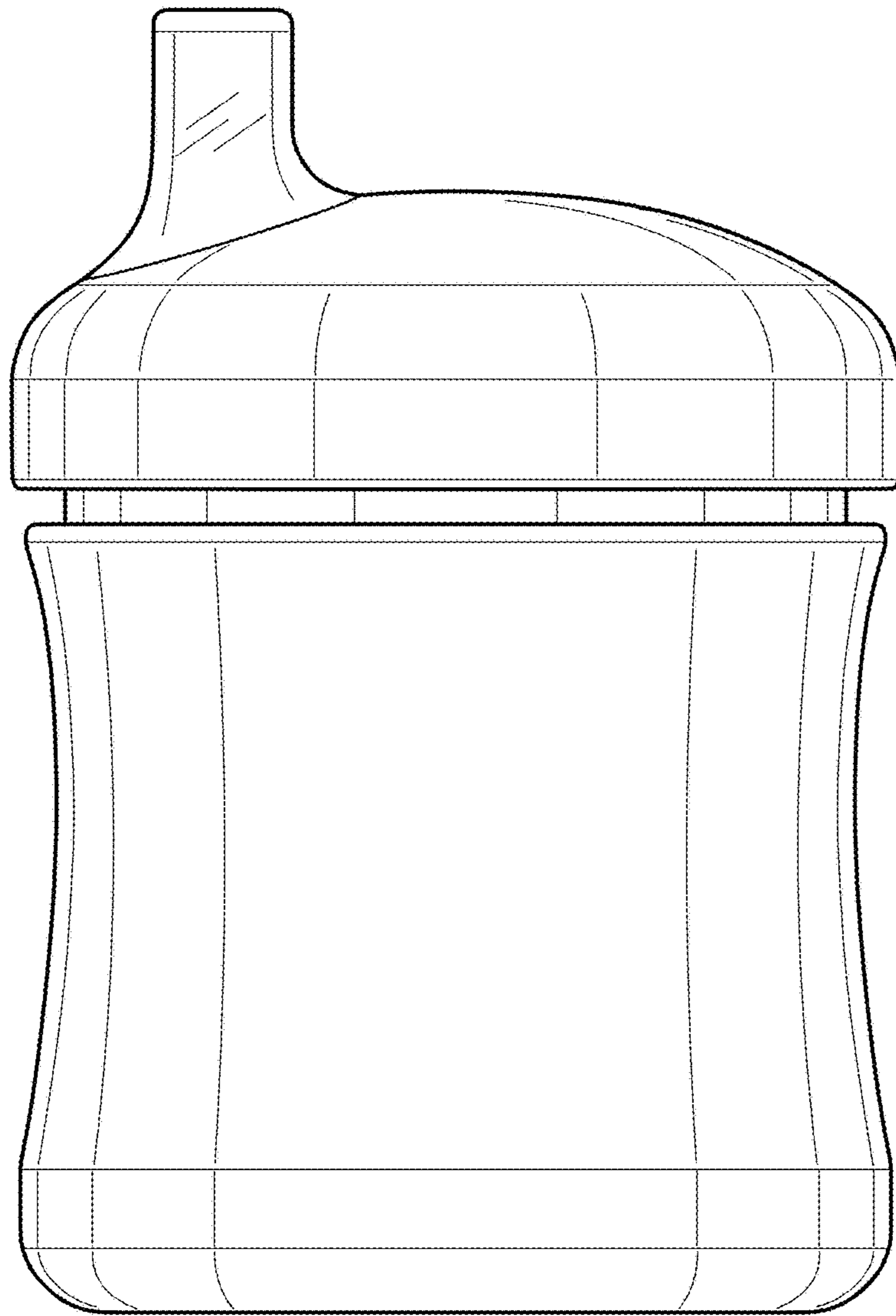
**FIG. 3**



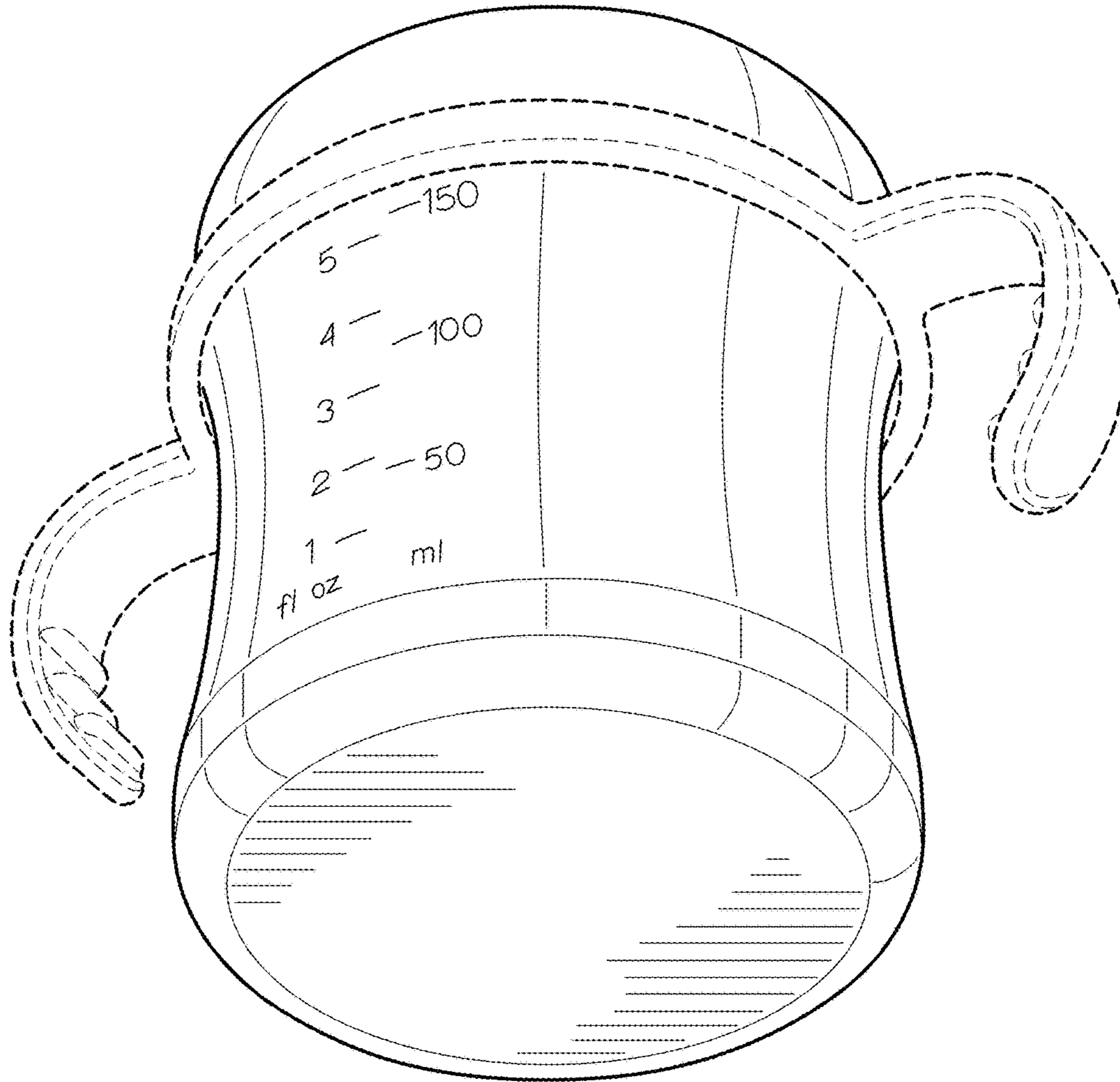
**FIG. 4**



**FIG. 5**



**FIG. 6**



**FIG. 7**