



US00D850206S

(12) **United States Design Patent** (10) **Patent No.:** **US D850,206 S**
Lyons (45) **Date of Patent:** **** Jun. 4, 2019**

- (54) **CONVERTIBLE CONTAINER**
- (71) Applicant: **Christopher Lyons**, Fairfield, NJ (US)
- (72) Inventor: **Christopher Lyons**, Fairfield, NJ (US)
- (**) Term: **15 Years**
- (21) Appl. No.: **29/617,237**
- (22) Filed: **Sep. 13, 2017**

Related U.S. Application Data

- (63) Continuation-in-part of application No. 29/617,235, filed on Sep. 13, 2017.
- (51) **LOC (11) Cl.** **07-01**
- (52) **U.S. Cl.**
USPC **D7/507**; D7/511; D7/523; D7/532; D9/503
- (58) **Field of Classification Search**
USPC D7/507, 509, 510, 511, 523, 570, 529, D7/524, 537, 526, 528, 532, 393, 213, D7/514, 515, 513, 530, 396.6; 220/592.16, 592.17; D10/118; D9/500, D9/501, 503, 516, 517, 518, 548, 549, D9/558, 715, 716, 719
CPC A47G 19/2205; A47G 19/2227; A47G 19/22; A45F 3/20
See application file for complete search history.

(56) **References Cited**

U.S. PATENT DOCUMENTS

- 3,017,049 A * 1/1962 Powell B65D 50/061 215/206
- 3,402,844 A * 9/1968 Chin A47G 23/0241 215/228
- D617,449 S * 6/2010 Walker D24/122
- D696,945 S * 1/2014 Newman D9/500
- D706,634 S * 6/2014 Herman D9/500
- D763,694 S * 8/2016 Herman D9/500

- D799,323 S * 10/2017 Verde D9/503
- D806,549 S * 1/2018 Laib D9/500
- D807,178 S * 1/2018 Laib D9/500
- D842,109 S * 3/2019 Marotta D9/500
- 2003/0042221 A1* 3/2003 Wong B65D 1/0276 215/373
- 2016/0150902 A1* 6/2016 Dokhanian A47G 23/0241 220/739
- 2018/0312322 A1* 11/2018 Canales Kell B65D 1/04

OTHER PUBLICATIONS

https://www.amazon.com/Asobu-Frosty-Insulated-Stainless-Friendly/dp/B01JW136N8/ref=pd_ybh_a_2?_encoding=UTF8&psc=1&refRID=6Z8JZDPF67B6Y8NWFYRF Aug. 7, 2016 Beer Bottle and Can Cooler.*

* cited by examiner

Primary Examiner — Marianne N Pandozzi
Assistant Examiner — Jae Liang

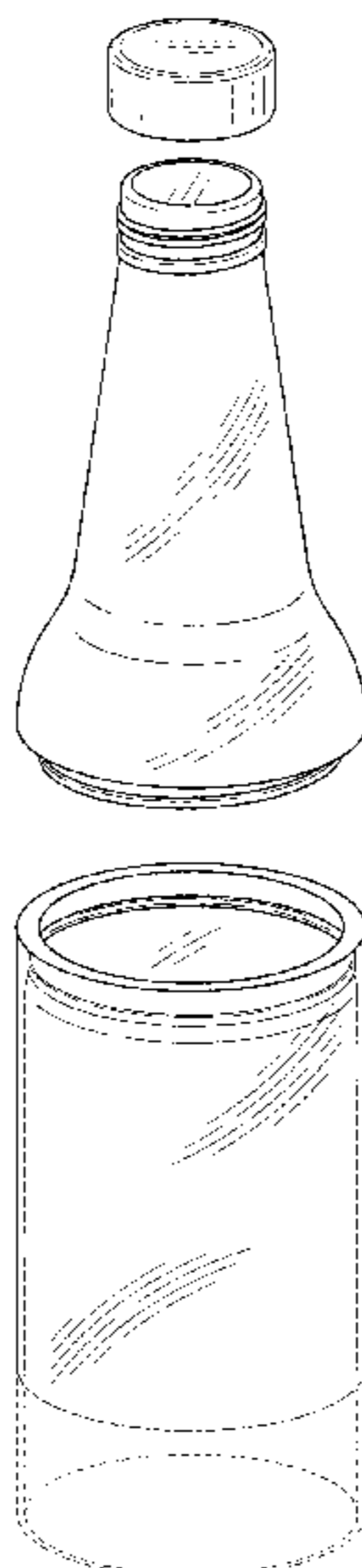
(57) **CLAIM**

The ornamental design for a convertible container, as shown and described.

DESCRIPTION

FIG. 1 is a front elevational view of a convertible container showing my new design;
FIG. 2 is a left-side view thereof;
FIG. 3 is a right-side view thereof;
FIG. 4 is a front view thereof;
FIG. 5 is a rear view thereof;
FIG. 6 is a top view thereof; and,
FIG. 7 is a bottom view thereof.
The evenly-dashed broken lines in the drawings depict the portions of the design that form no part of the claim. The dot-dot-dash broken lines in the drawings define the bounds of the claim and form no part thereof.

1 Claim, 5 Drawing Sheets



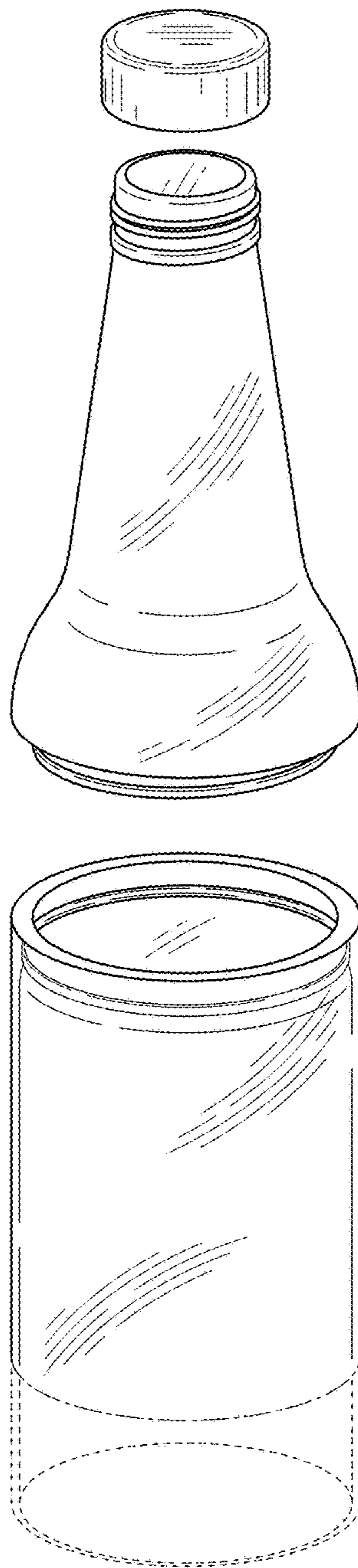


FIG.1

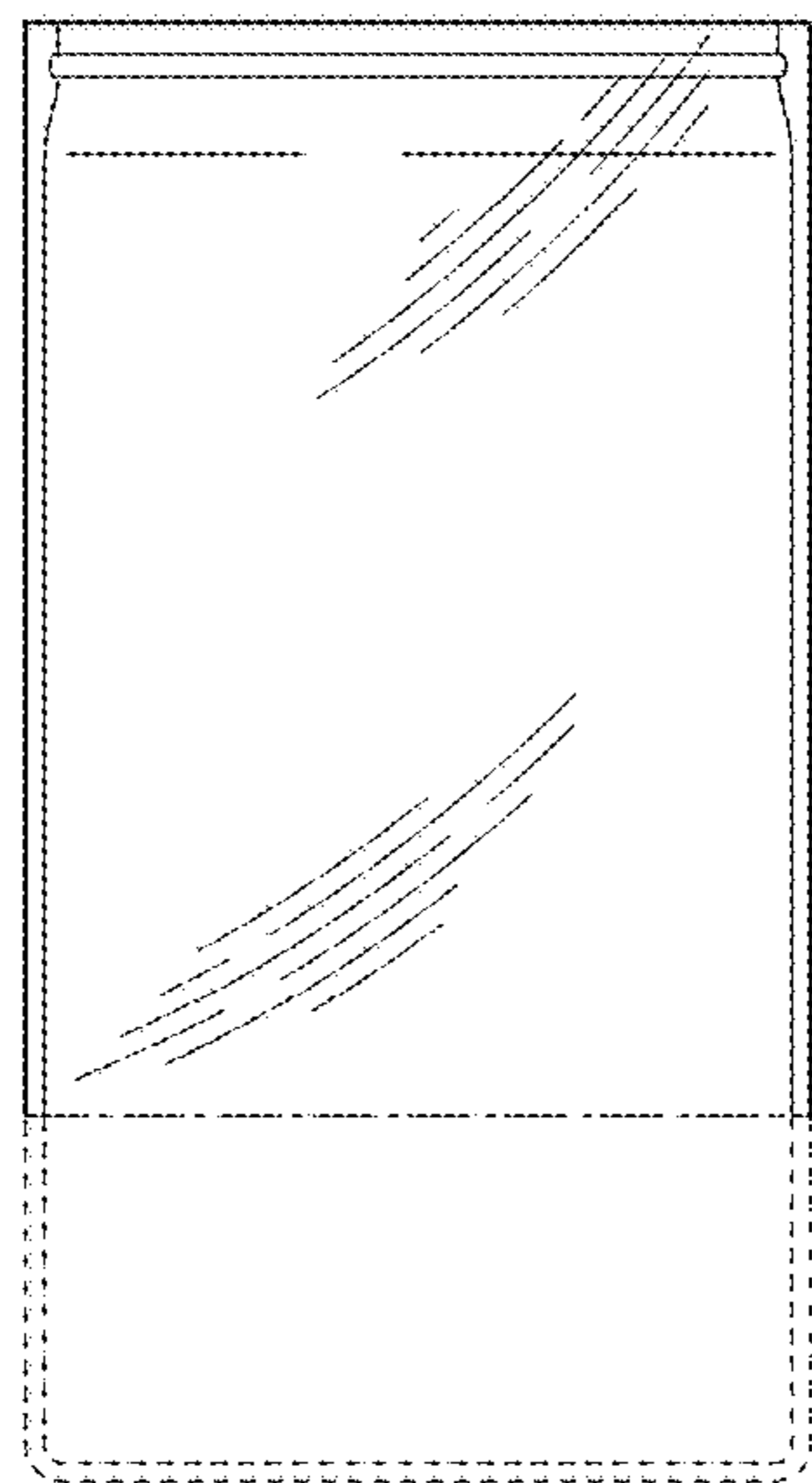
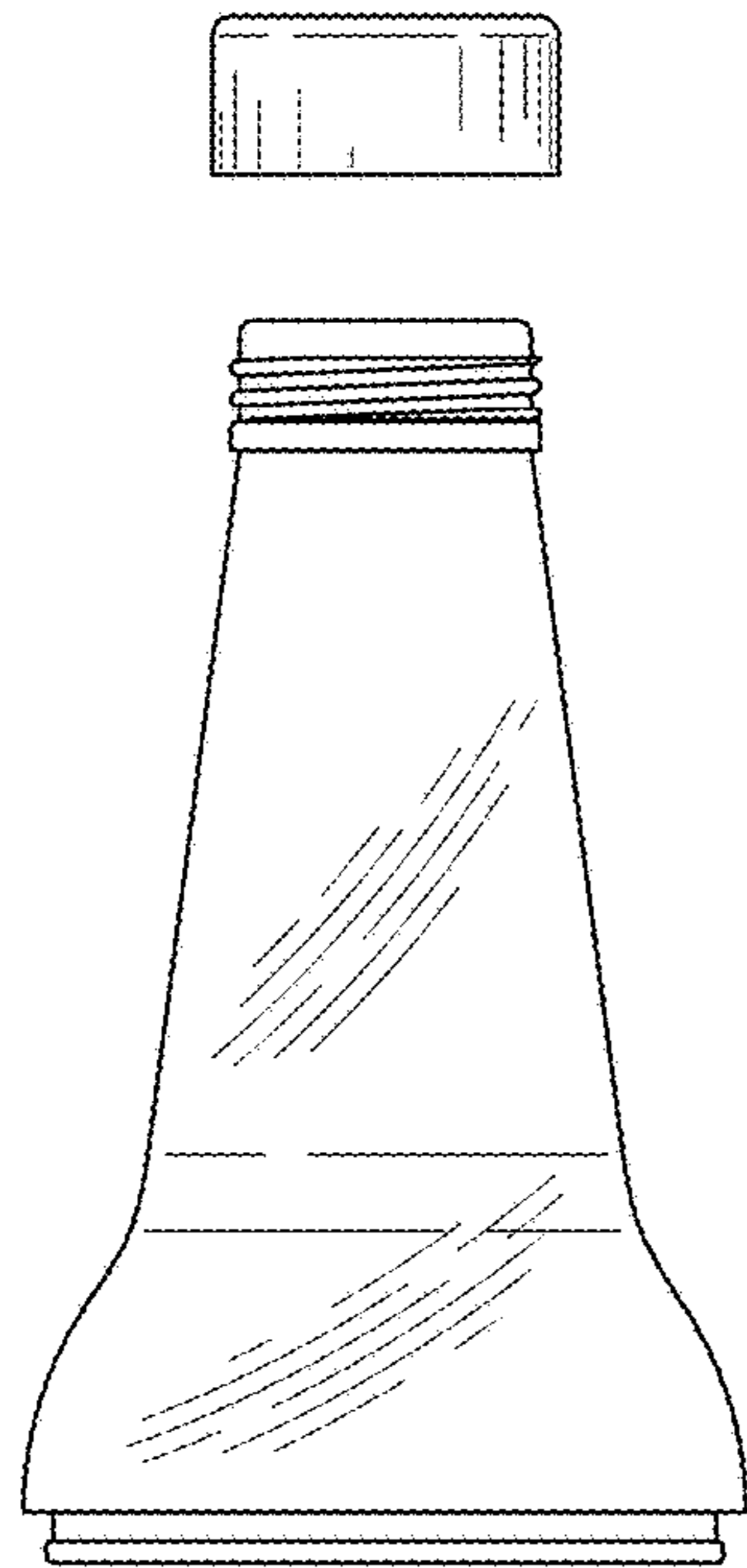


FIG.2

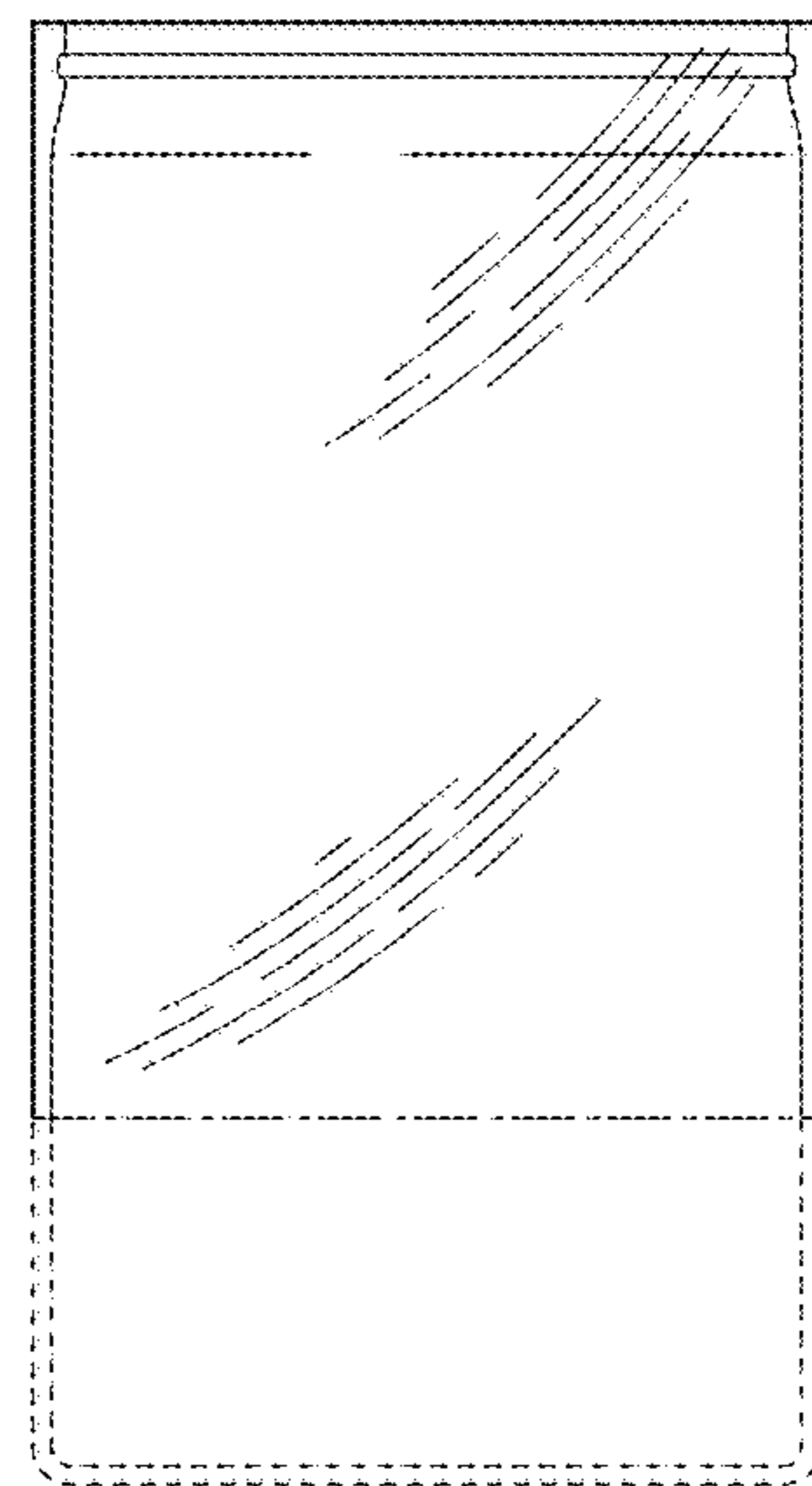
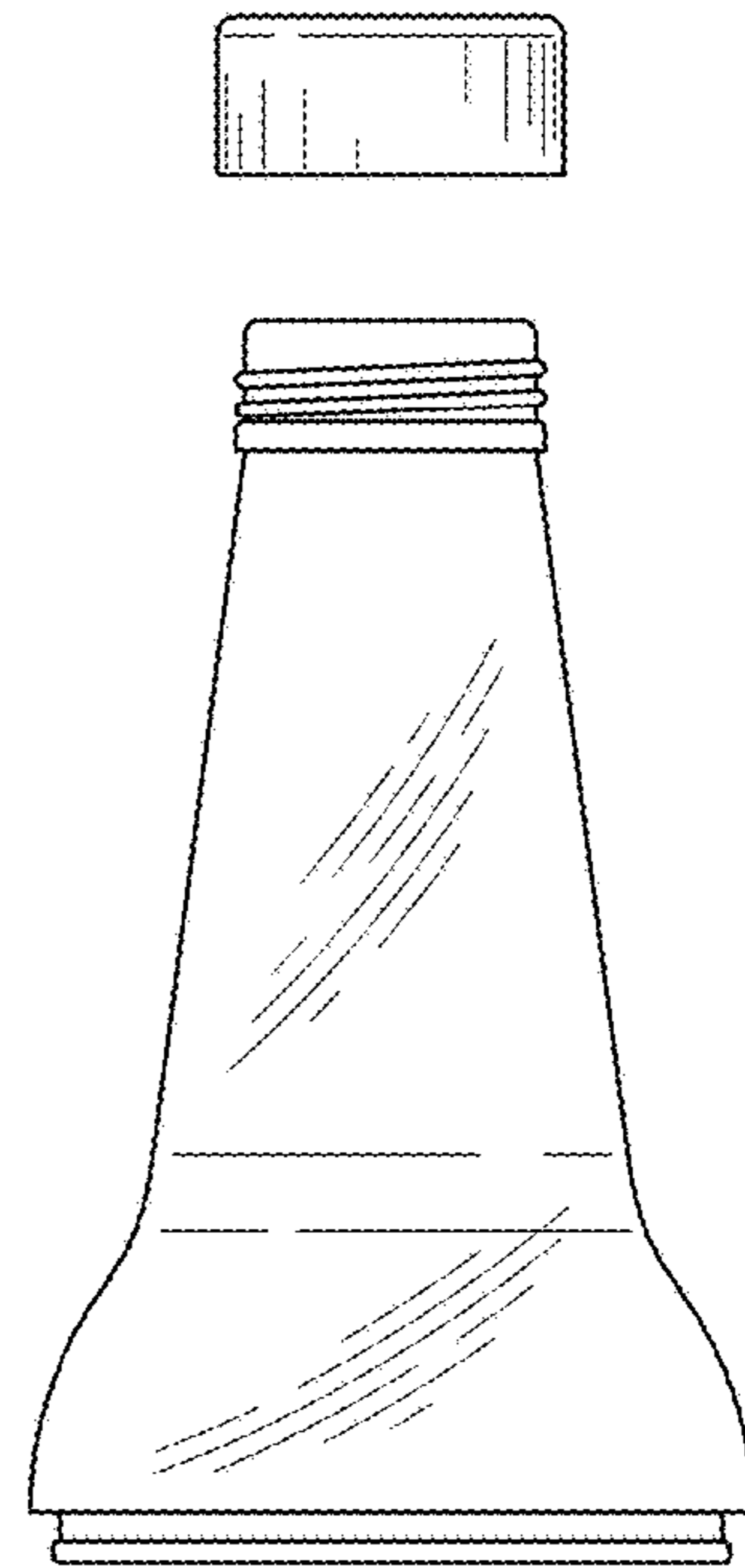


FIG.3

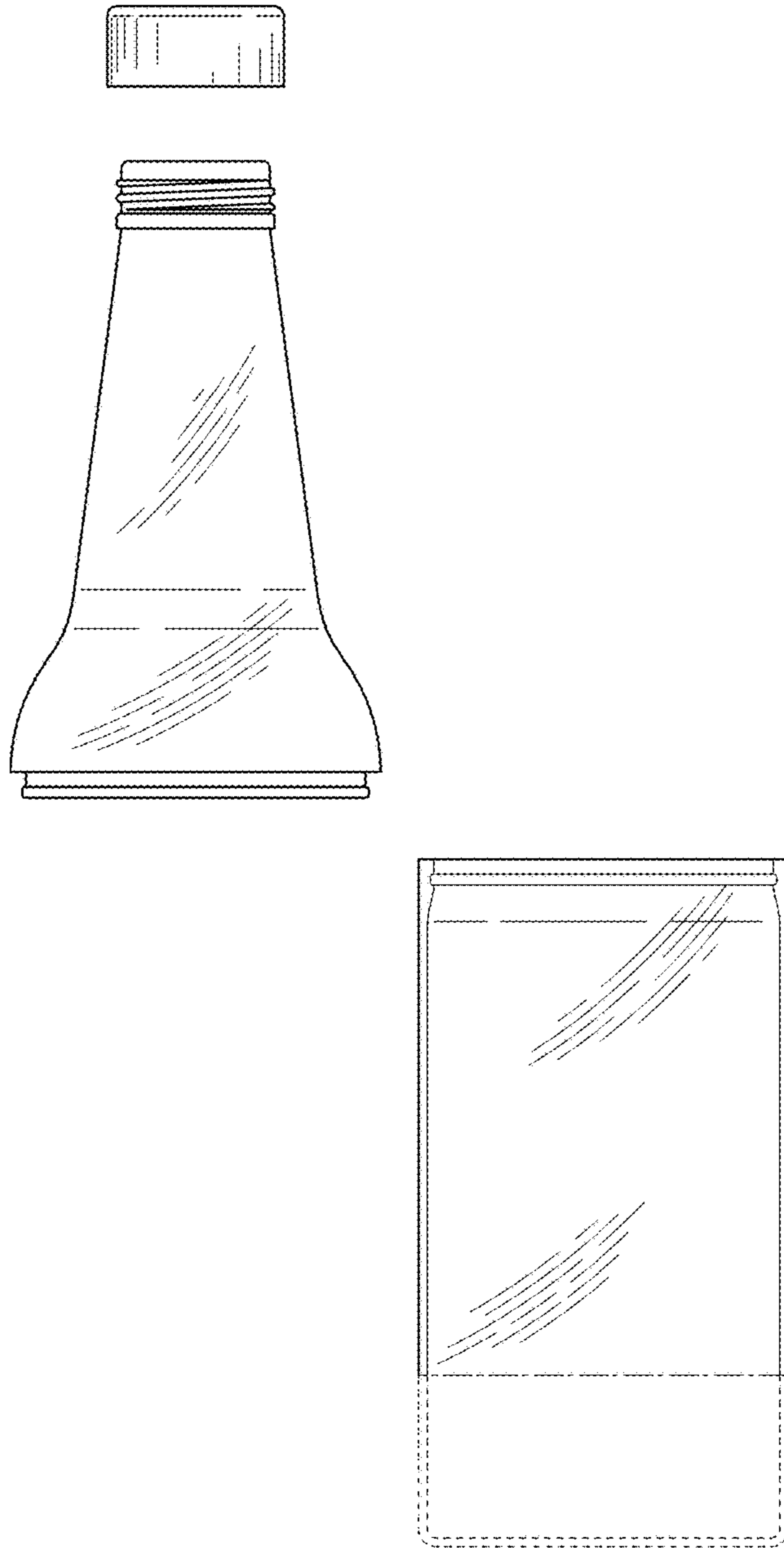


FIG. 4

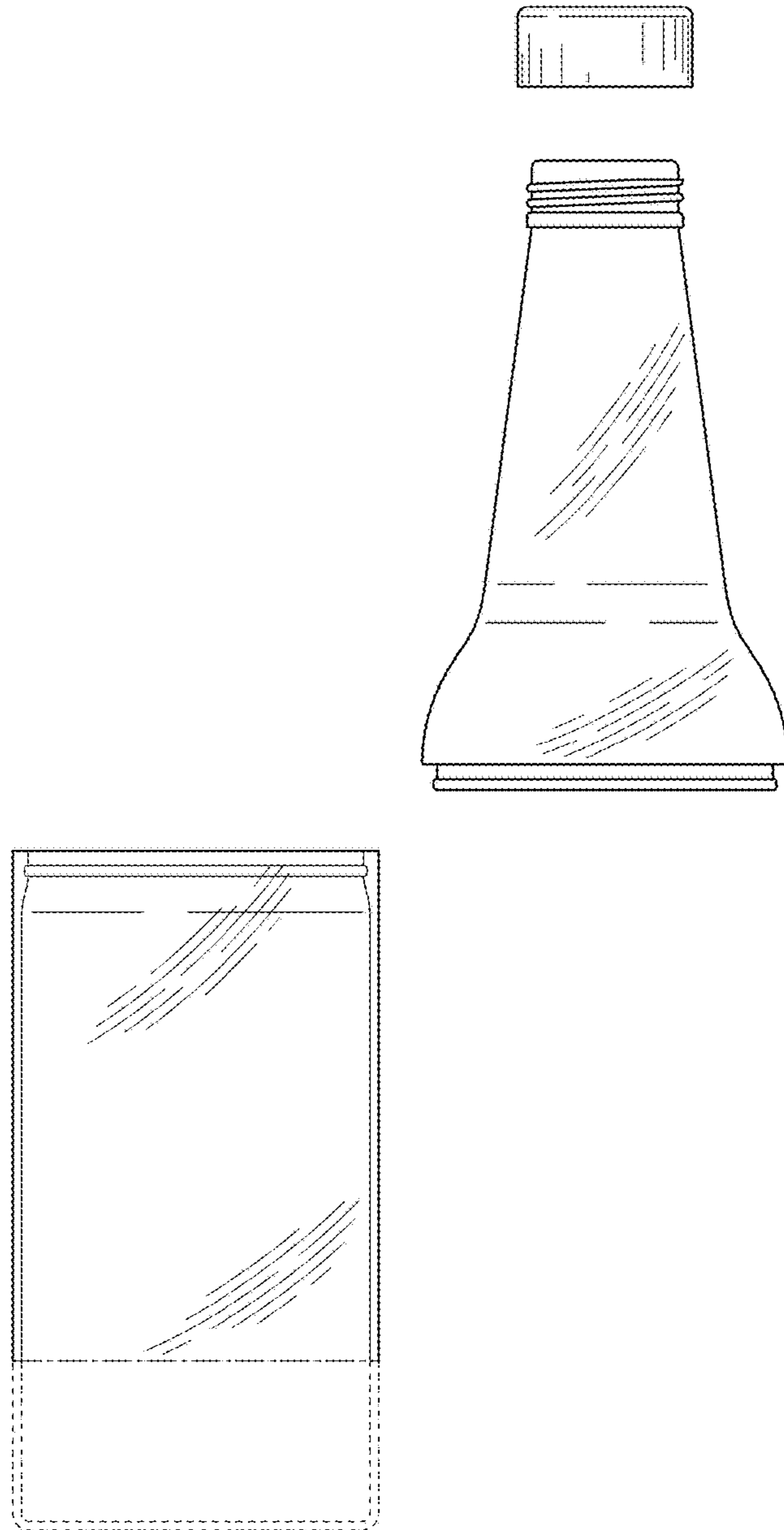


FIG.5

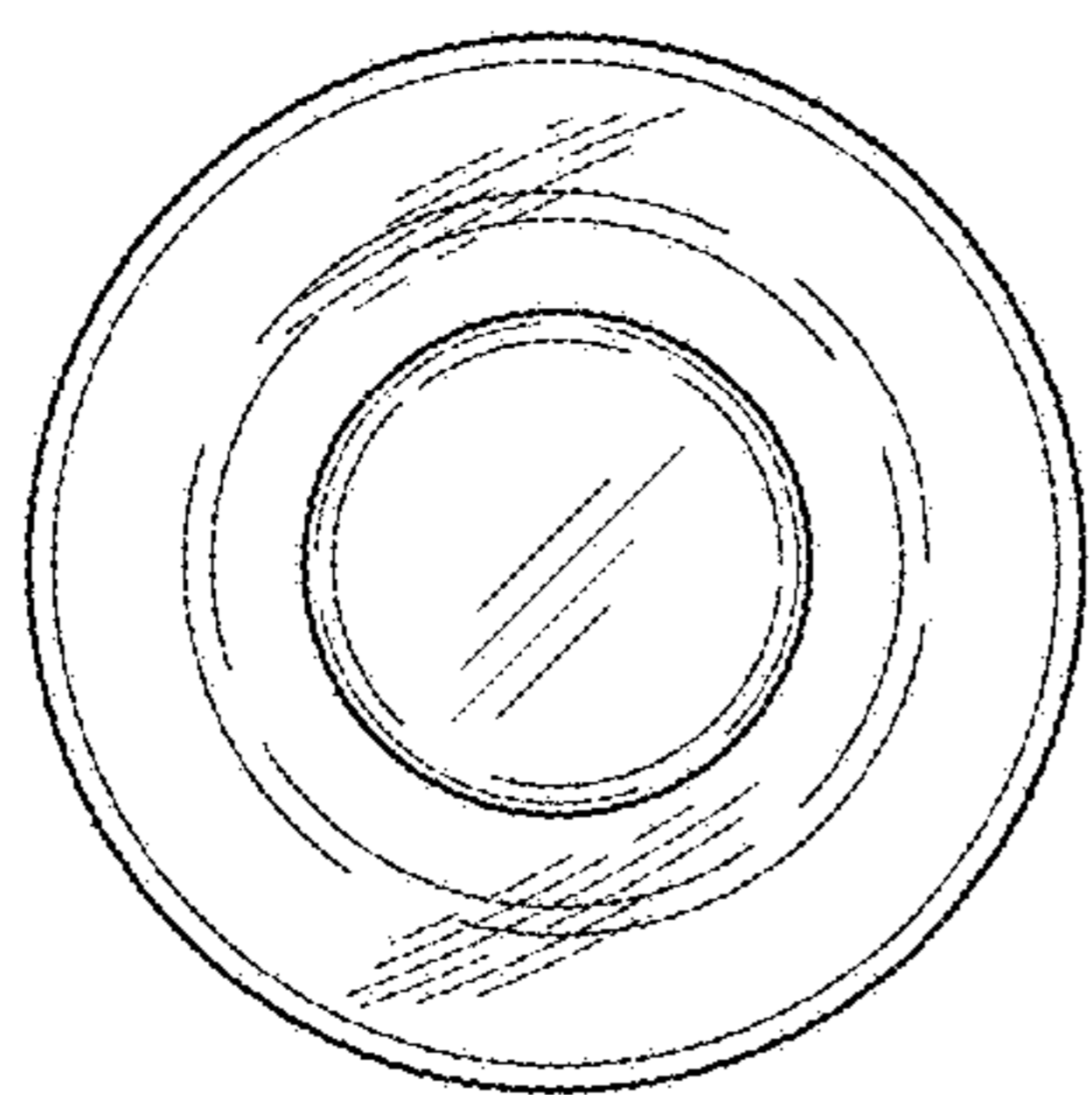
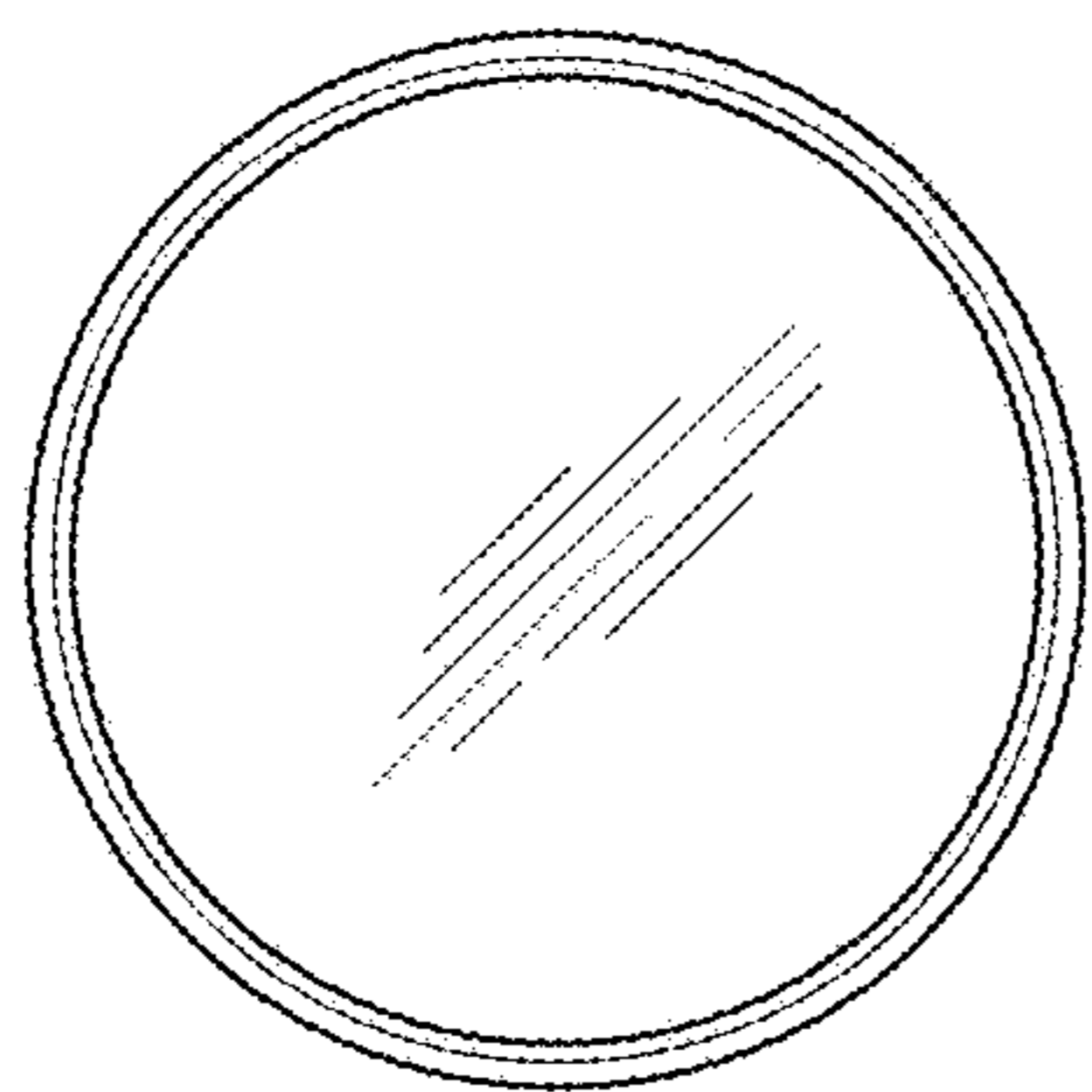


FIG.6

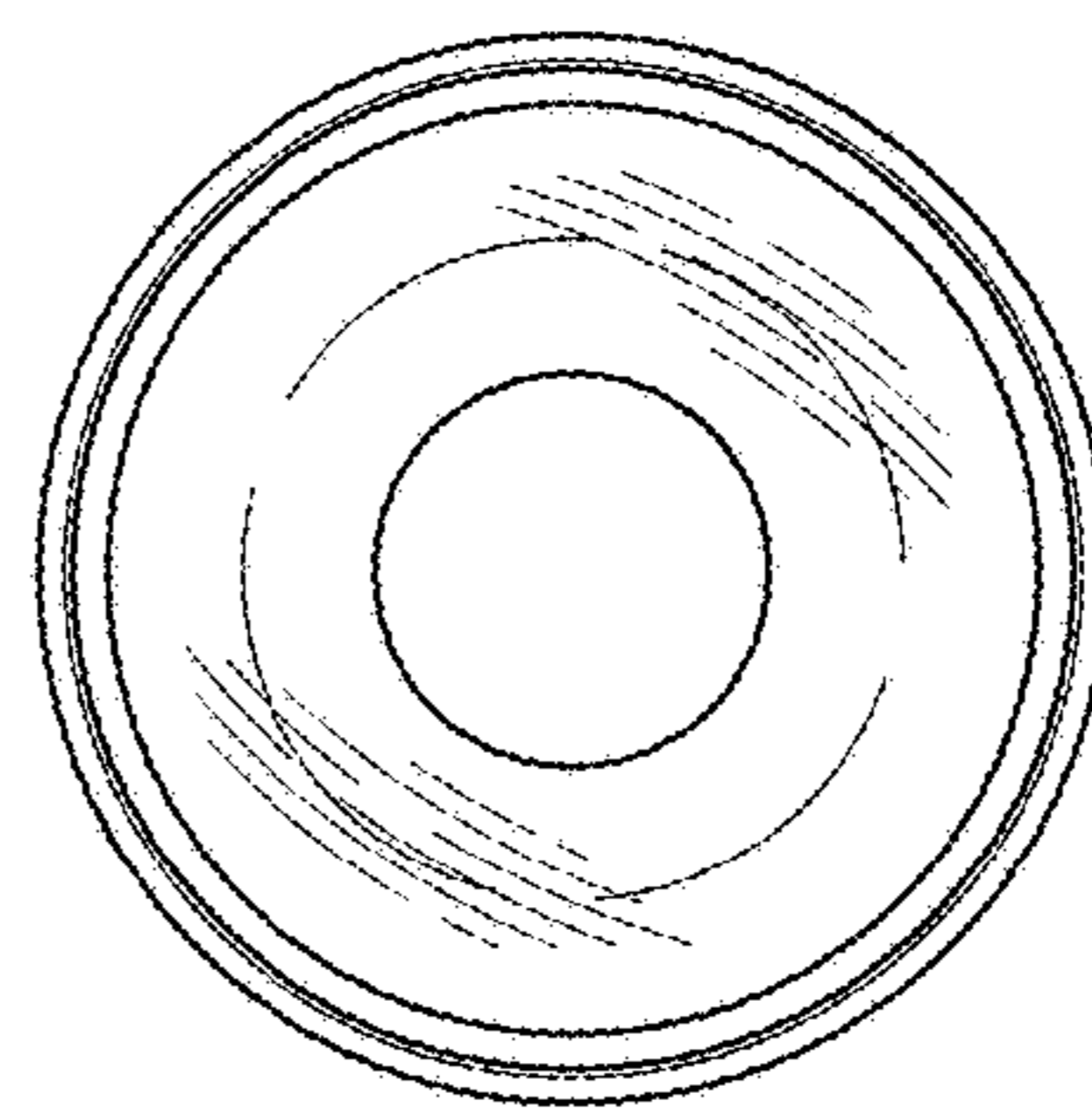


FIG.7