



US00D850204S

(12) **United States Design Patent**  
**Root et al.**

(10) **Patent No.:** **US D850,204 S**

(45) **Date of Patent:** **\*\* Jun. 4, 2019**

(54) **BUTTER DISH**

(71) Applicants: **Jeffrey G. Root**, Pound Ridge, NY  
(US); **Teresa J. Rivers**, Pound Ridge,  
NY (US)

(72) Inventors: **Jeffrey G. Root**, Pound Ridge, NY  
(US); **Teresa J. Rivers**, Pound Ridge,  
NY (US)

(\*\*) Term: **15 Years**

(21) Appl. No.: **29/604,796**

(22) Filed: **May 19, 2017**

(51) **LOC (11) Cl.** ..... **07-01**

(52) **U.S. Cl.**  
USPC ..... **D7/502**

(58) **Field of Classification Search**  
USPC ..... D7/502, 504, 550.1, 553.1–553.3, 554.3,  
D7/629, 538  
CPC ..... A47G 19/26; A47G 19/06; A47G 23/06  
See application file for complete search history.

(56) **References Cited**

U.S. PATENT DOCUMENTS

D155,474 S *	10/1949	Berch	.....	D7/502
D191,123 S *	8/1961	Jones	.....	D7/554.3
3,268,111 A	8/1966	Duddy		
D215,958 S *	11/1969	Daenen	.....	D7/502
D216,214 S *	12/1969	Daenen	.....	D7/502
4,083,453 A *	4/1978	Berger	.....	A47G 23/06 206/564
D282,042 S *	1/1986	Gallagher	.....	D7/554.3
D307,864 S *	5/1990	Sorensen	.....	D7/553.3
D486,995 S *	2/2004	Liu	.....	D7/502
D534,036 S *	12/2006	Vlahos	.....	D7/502
D623,472 S *	9/2010	Bodum	.....	D7/502
D720,961 S *	1/2015	Gabriel	.....	A47G 19/26 D7/502
8,960,441 B1 *	2/2015	Marquis	.....	A47G 19/26 206/525

D750,427 S \* 3/2016 Kautto ..... D7/629  
D830,765 S \* 10/2018 Croft ..... D7/391  
D836,398 S \* 12/2018 Jones ..... D7/555

(Continued)

*Primary Examiner* — Brett Miller

(74) *Attorney, Agent, or Firm* — Day Pitney LLP

(57) **CLAIM**

The ornamental design for a butter dish, as shown and described.

**DESCRIPTION**

FIG. 1 is an isometric view of an embodiment of the butter dish;

FIG. 2 is a front view of the butter dish, and is interchangeable with a back view of the butter dish;

FIG. 3 is a right side view of the butter dish, and is interchangeable with a left side view of the butter dish;

FIG. 4 is a top plan view of the butter dish;

FIG. 5 is a bottom pan view of the butter dish;

FIG. 6 is a front view of the butter dish with an accompanying knife and butter, the knife and butter represented by dashed lines and not included in the invention disclosed herein;

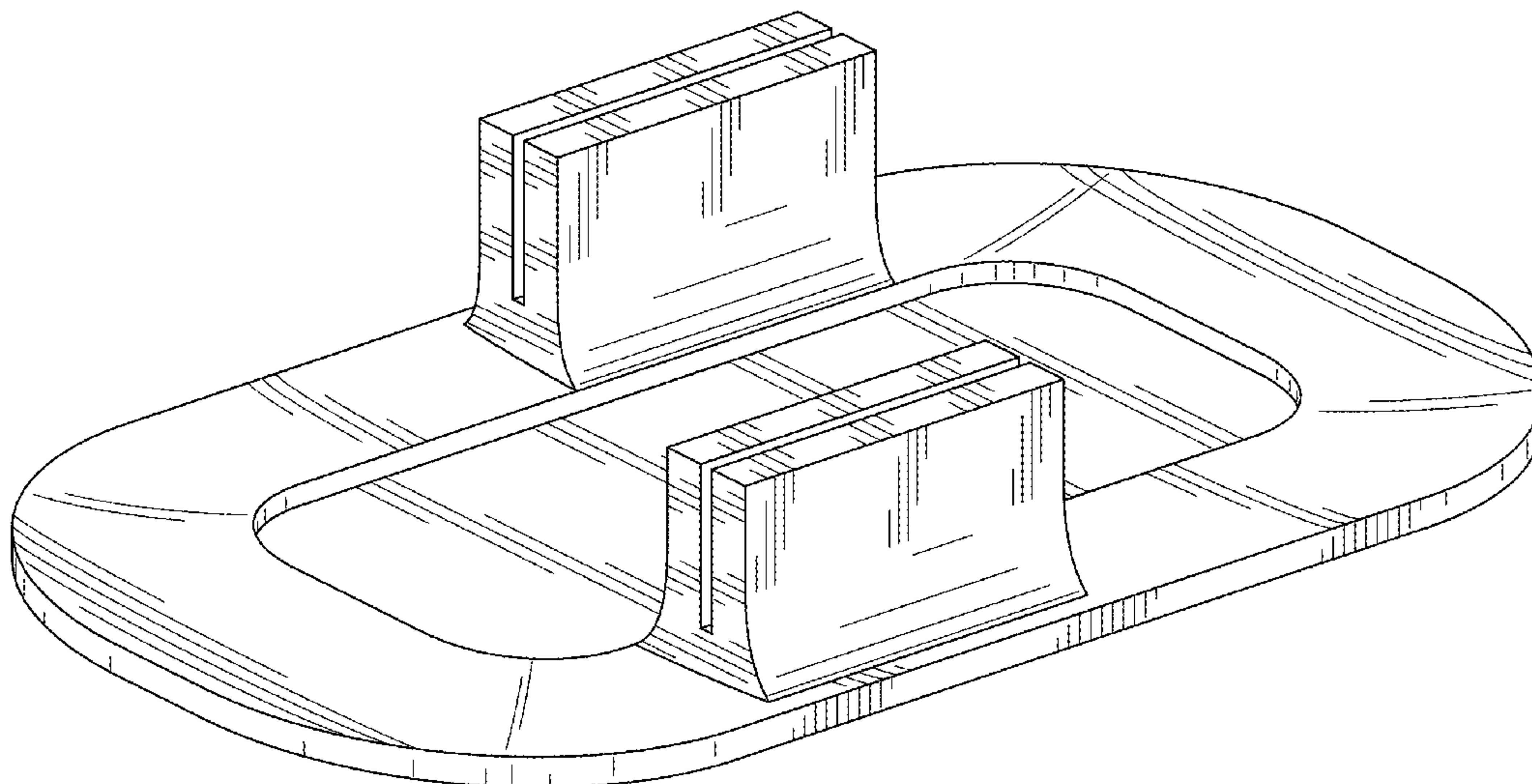
FIG. 7 is a right side view of the butter dish with butter, the butter represented by dashed lines and not included in the invention disclosed herein;

FIG. 8 is an isometric view of the butter dish with two accompanying knives and butter, the knives and butter represented by dashed lines and not included in the invention disclosed herein;

FIG. 9 is a front view of the butter dish with an accompanying knife, butter and lid; the knife, butter and lid represented by dashed lines and not included in the invention disclosed herein; and,

FIG. 10 is a front view of the butter dish with an accompanying knife, butter and second embodiment of a lid; the knife, butter and lid represented by dashed lines and not included in the invention disclosed herein.

**1 Claim, 9 Drawing Sheets**



(56)

**References Cited**

U.S. PATENT DOCUMENTS

2012/0111873 A1 5/2012 Gabriel  
2015/0282655 A1\* 10/2015 Donovan ..... A47G 19/06  
30/142

\* cited by examiner

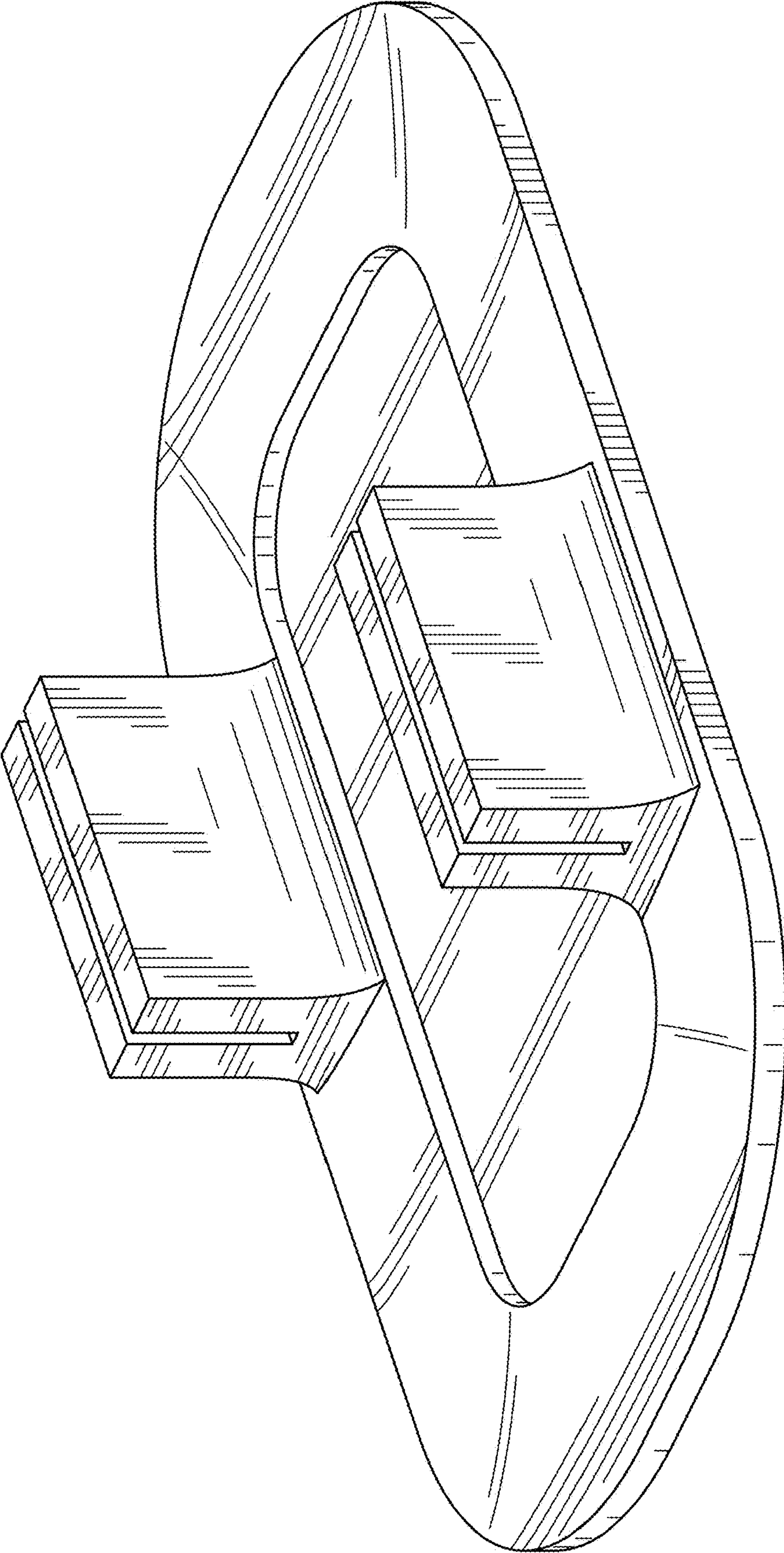


FIG. 1

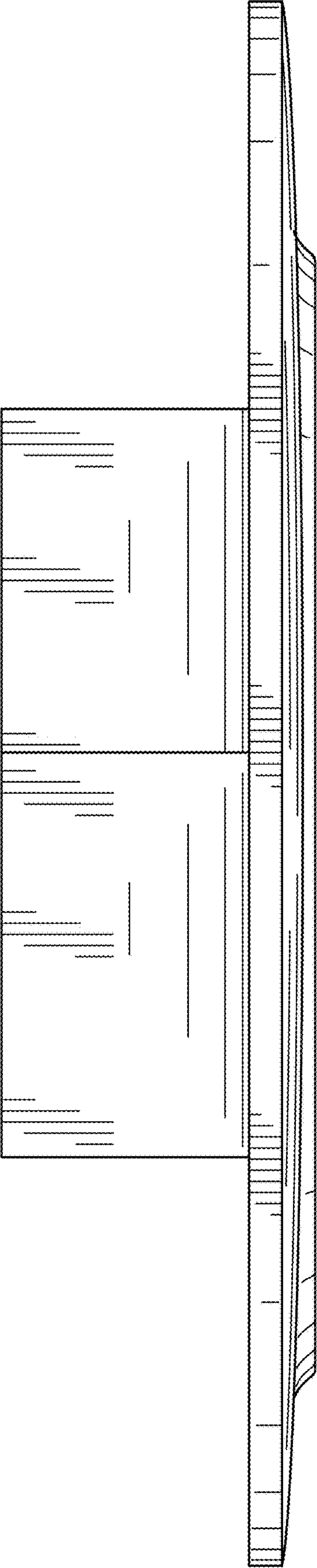


FIG. 2

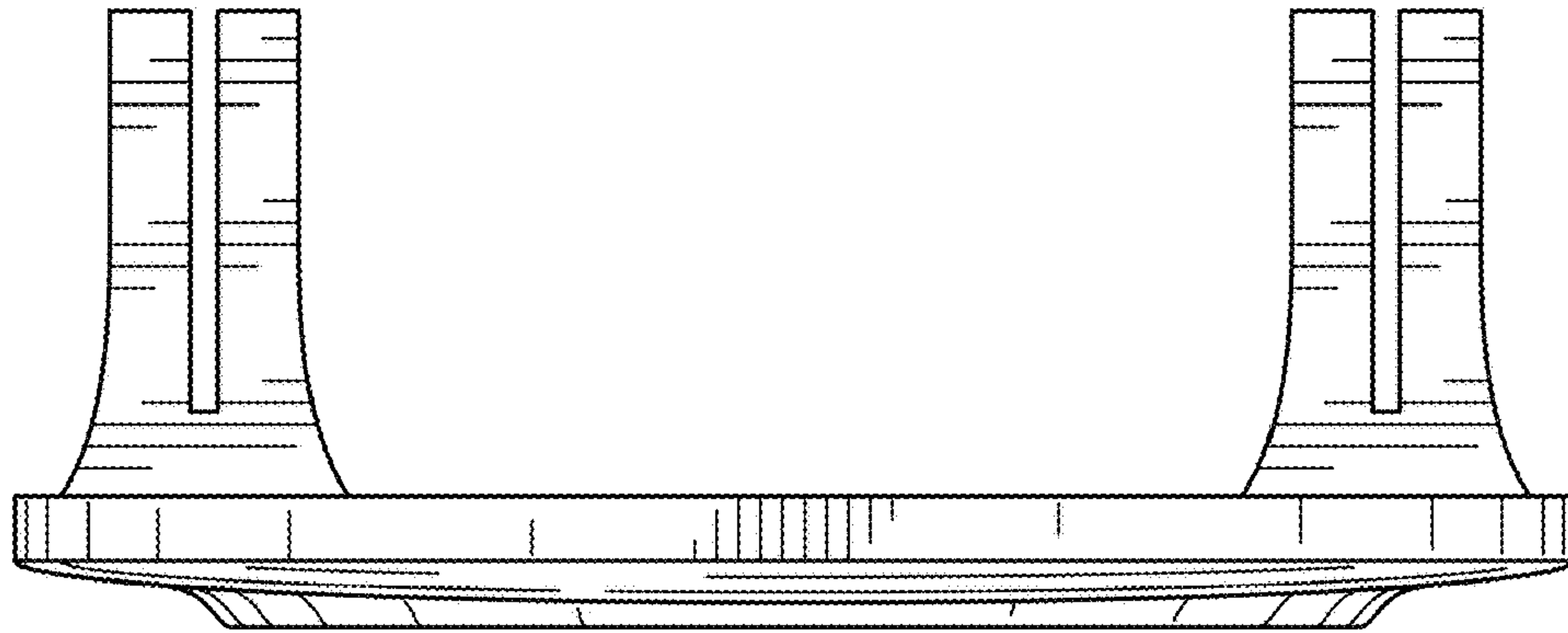


FIG. 3



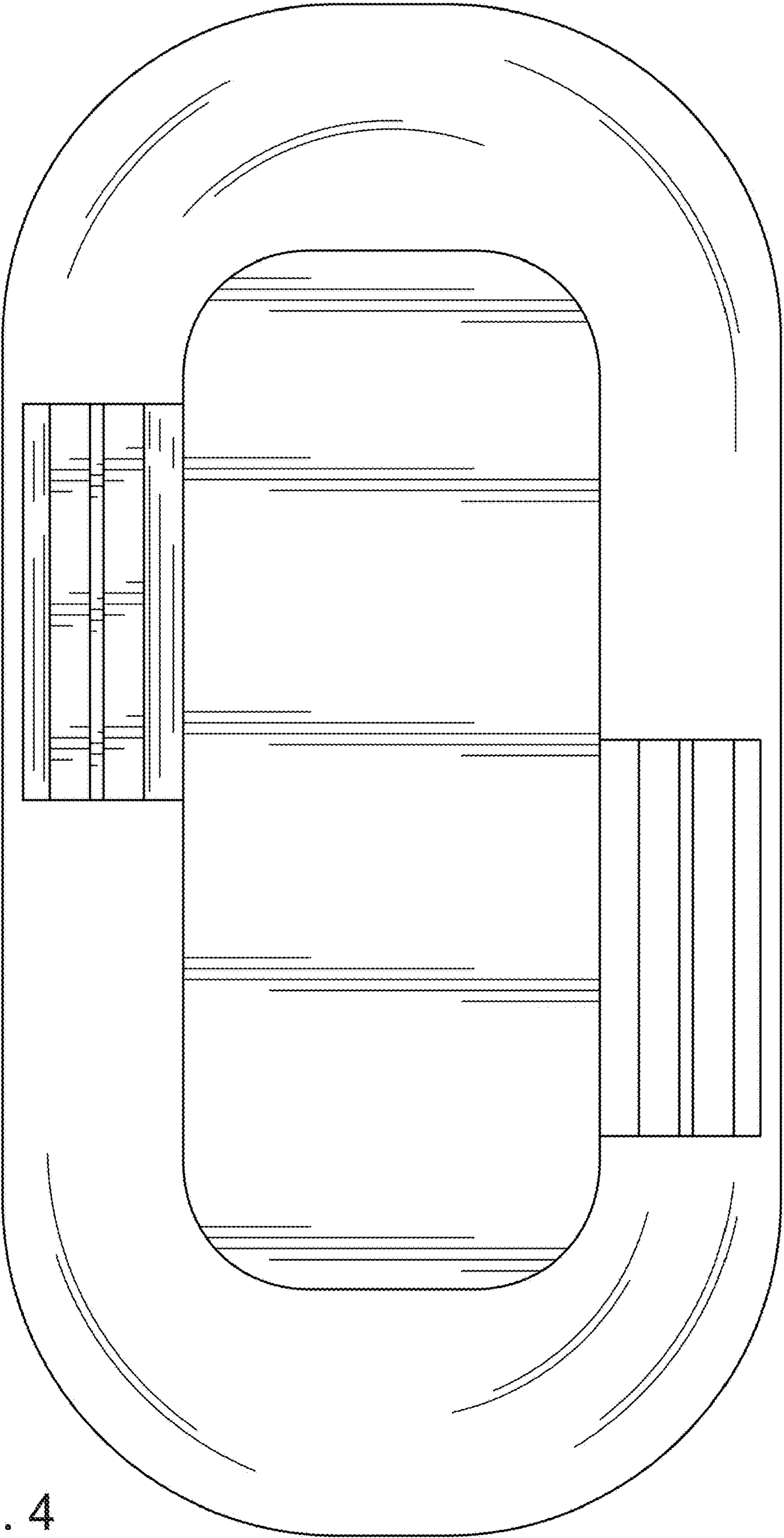


FIG. 4

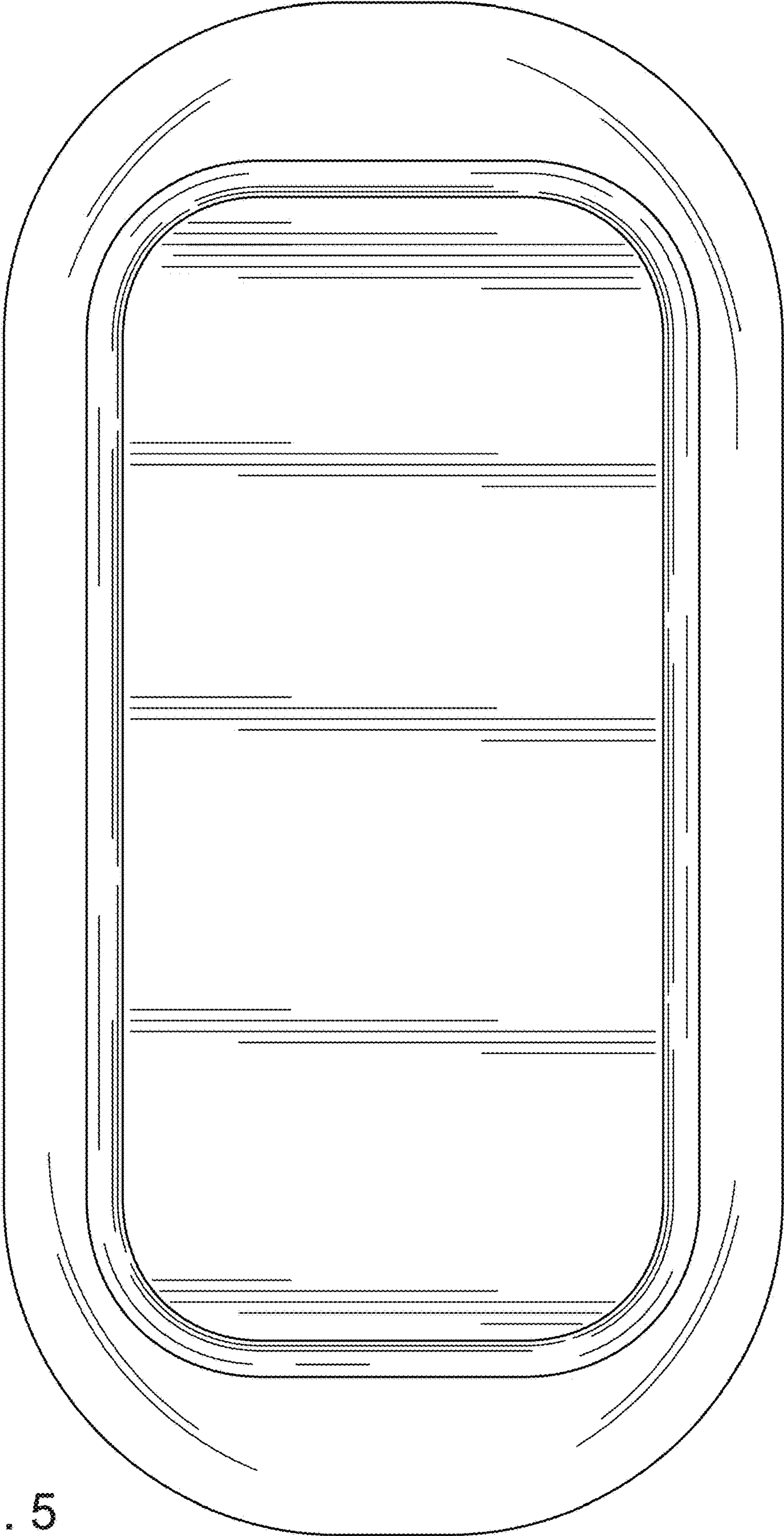


FIG. 5

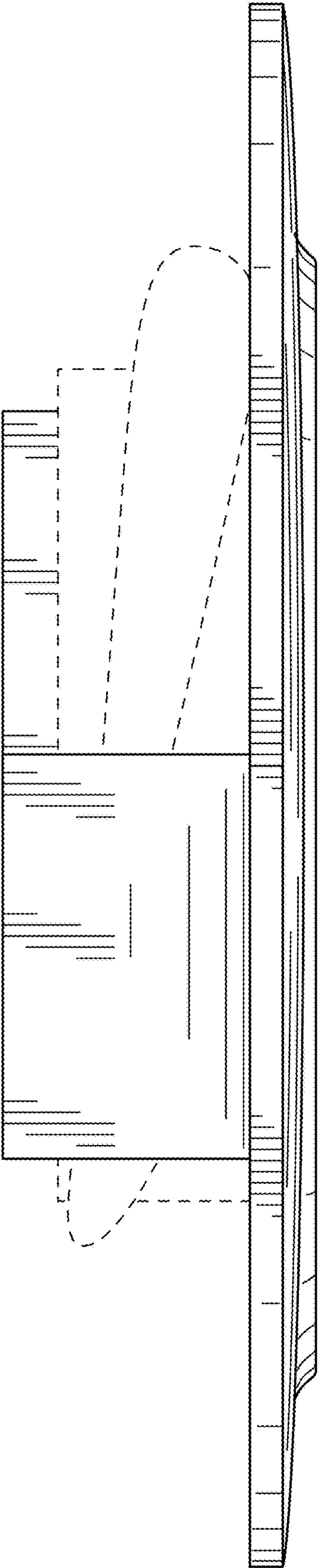


FIG. 6



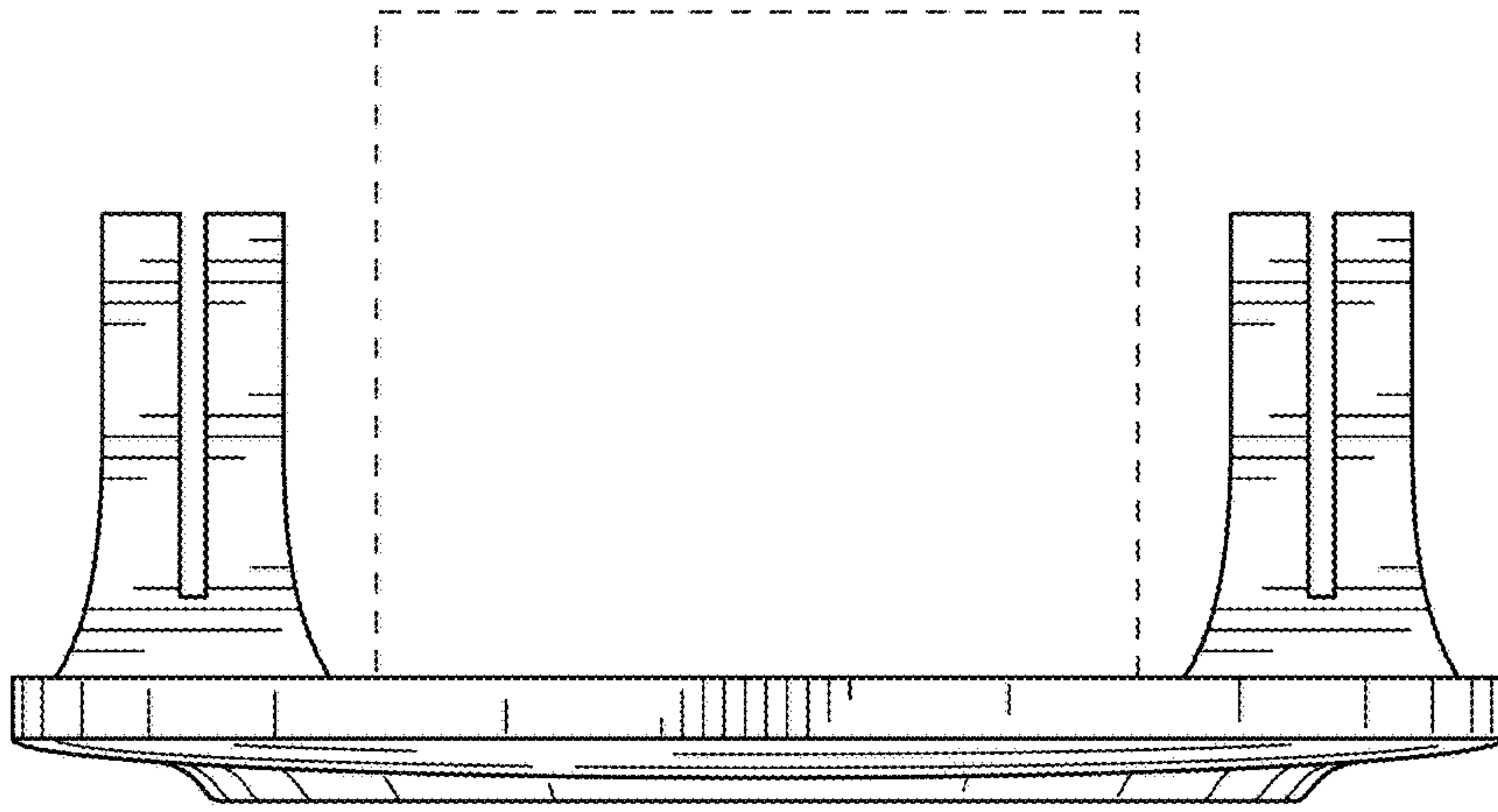


FIG. 7

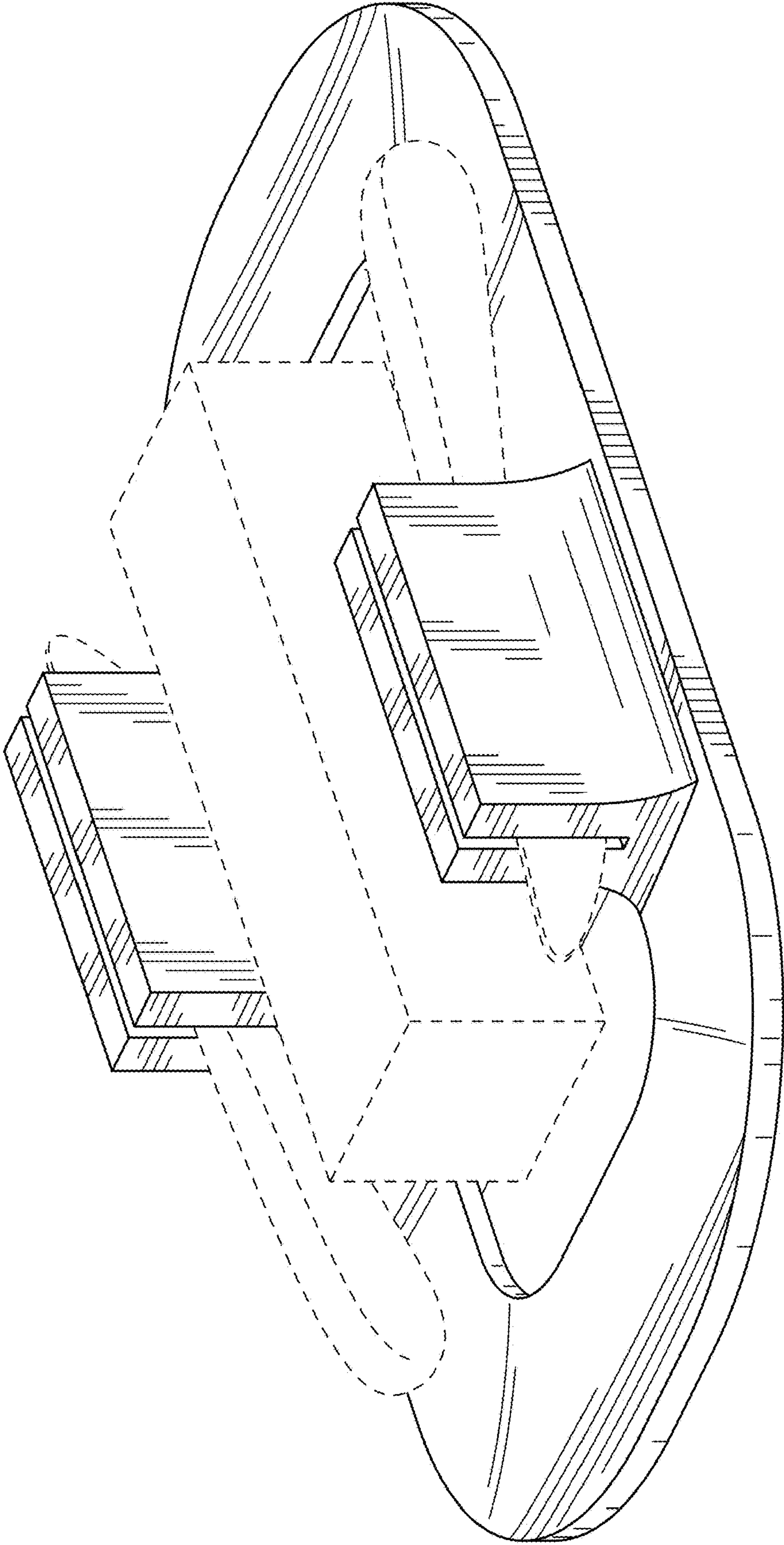


FIG. 8

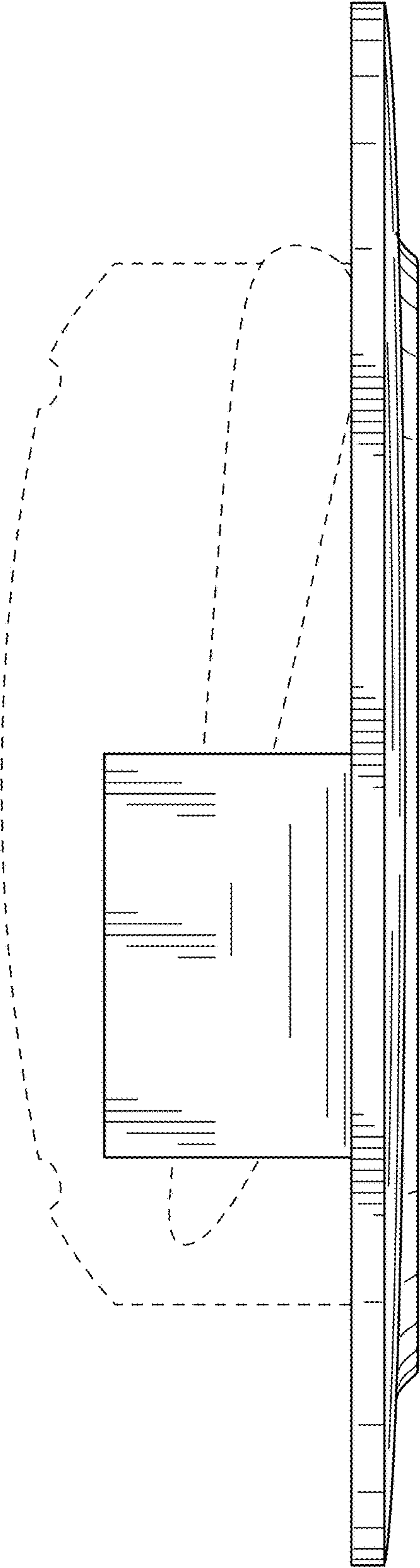


FIG. 9

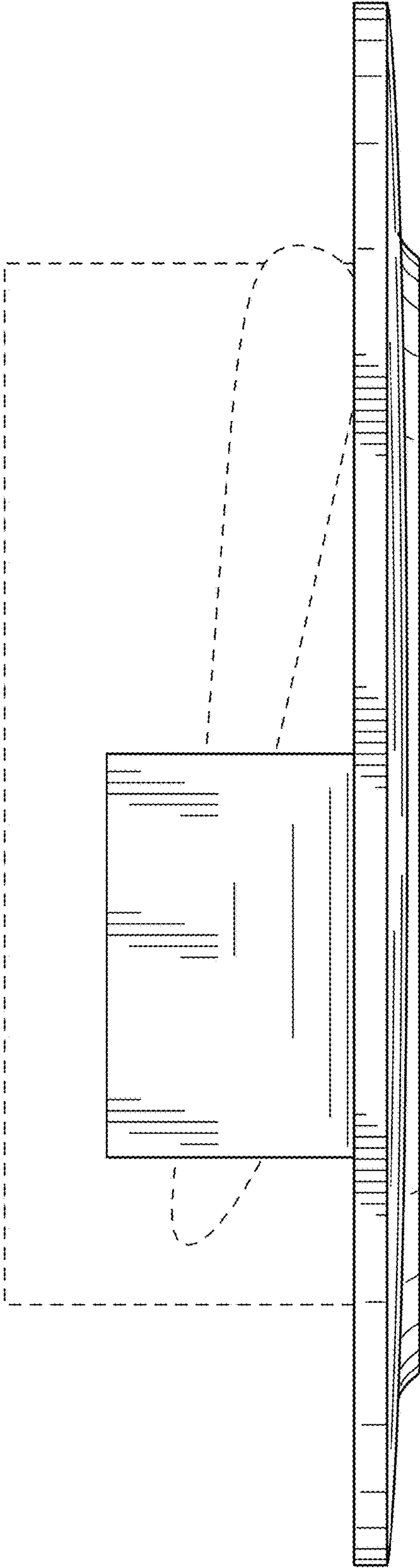


FIG. 10