



US00D850202S

(12) **United States Design Patent**
Khalaj

(10) **Patent No.:** **US D850,202 S**

(45) **Date of Patent:** **** Jun. 4, 2019**

- (54) **MESH CUTTING BLADE/FILTER**
- (71) Applicant: **Ben M. Khalaj**, Lake Forest, CA (US)
- (72) Inventor: **Ben M. Khalaj**, Lake Forest, CA (US)
- (**) Term: **15 Years**
- (21) Appl. No.: **29/613,846**
- (22) Filed: **Aug. 14, 2017**
- (51) **LOC (11) Cl.** **31-00**
- (52) **U.S. Cl.**
USPC **D7/412**; D7/378; D7/384
- (58) **Field of Classification Search**
USPC D1/128, 130, 199; D7/359, 372,
D7/376-386, 402, 409, 412-413, 602,
D7/629, 665-666, 669, 679, 693-694;
D8/70; D23/261, 269
CPC A21B 3/13; A21C 1/02; A21C 1/04; A23N
1/00; A23N 1/02; A47J 37/108; A47J
43/04; A47J 43/25; A47J 43/27; A47J
43/042; A47J 43/044; A47J 43/046; A47J
43/075; A47J 43/0722; A47J 43/0727;
B01F 3/00; B01F 3/0807; B01F 3/0853;
B01F 13/0059; B01F 13/0064; B02C
1/08; B02C 2/04; B02C 4/42; B02C
4/142; B02C 4/143; B02C 4/423; B02C
13/1835; B28C 5/10; B28C 5/12; B28C
5/14; B28C 5/16
See application file for complete search history.

- D383,886 S * 9/1997 Baumgartner D1/128
- D431,151 S * 9/2000 Brunianyn D7/354
- 6,523,460 B1 * 2/2003 Lange A47J 37/108
99/340
- D553,932 S * 10/2007 Boler, Jr. D8/70
- D653,734 S * 2/2012 Sisk D23/269
- D658,941 S * 5/2012 Trussell D7/354
- D662,775 S * 7/2012 Moulin D7/354
- D751,333 S * 3/2016 Moehl D7/354
- D824,496 S * 7/2018 D'Amico D23/261
- D838,432 S * 1/2019 Pruisken D1/128
- D838,818 S * 1/2019 Malesky D23/261

* cited by examiner

Primary Examiner — Ricky Pham

(57) **CLAIM**

The ornamental design for a mesh cutting blade/filter, as shown and described.

DESCRIPTION

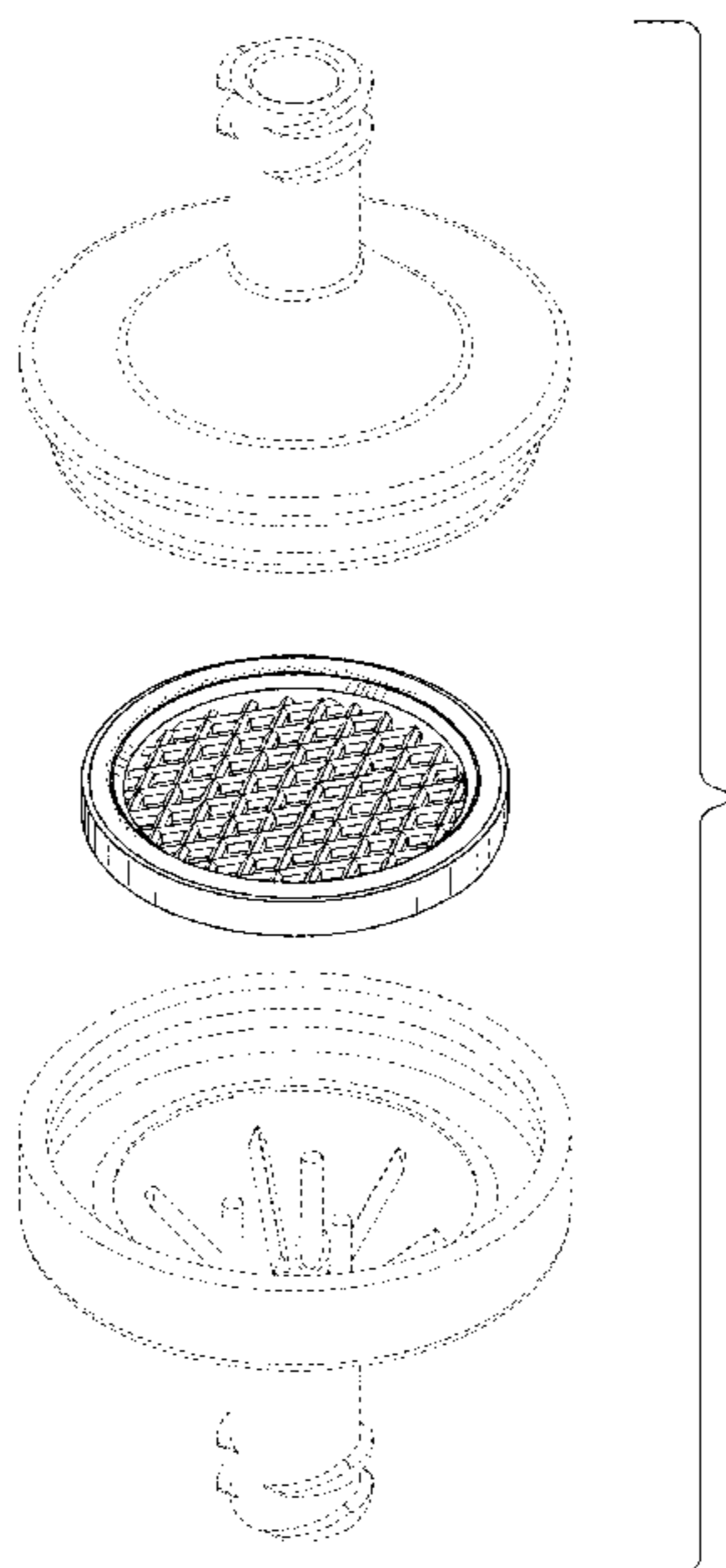
FIG. 1 is a top perspective view of a mesh cutting blade/filter showing my new design;
 FIG. 2 is a front elevation view thereof. Left side, right side and rear elevation being the same view;
 FIG. 3 is a top plan view thereof;
 FIG. 4 is bottom plan view thereof;
 FIG. 5 is a section view taken along line 4-4 in FIG. 4;
 FIG. 6 is an exploded perspective view similar to FIG. 1, but showing in conjunction with assembly; and,
 FIG. 7 is an exploded perspective view similar to FIG. 1, but showing in conjunction with a different assembly.
 The broken lines shown in FIG. 6 & FIG. 7 are for illustrative purposes only and form no part of the claimed design.

(56) **References Cited**

U.S. PATENT DOCUMENTS

- 2,077,757 A * 4/1937 Jackson A21B 3/13
126/390.1
- D277,044 S * 1/1985 Kuhlman D1/128

1 Claim, 5 Drawing Sheets



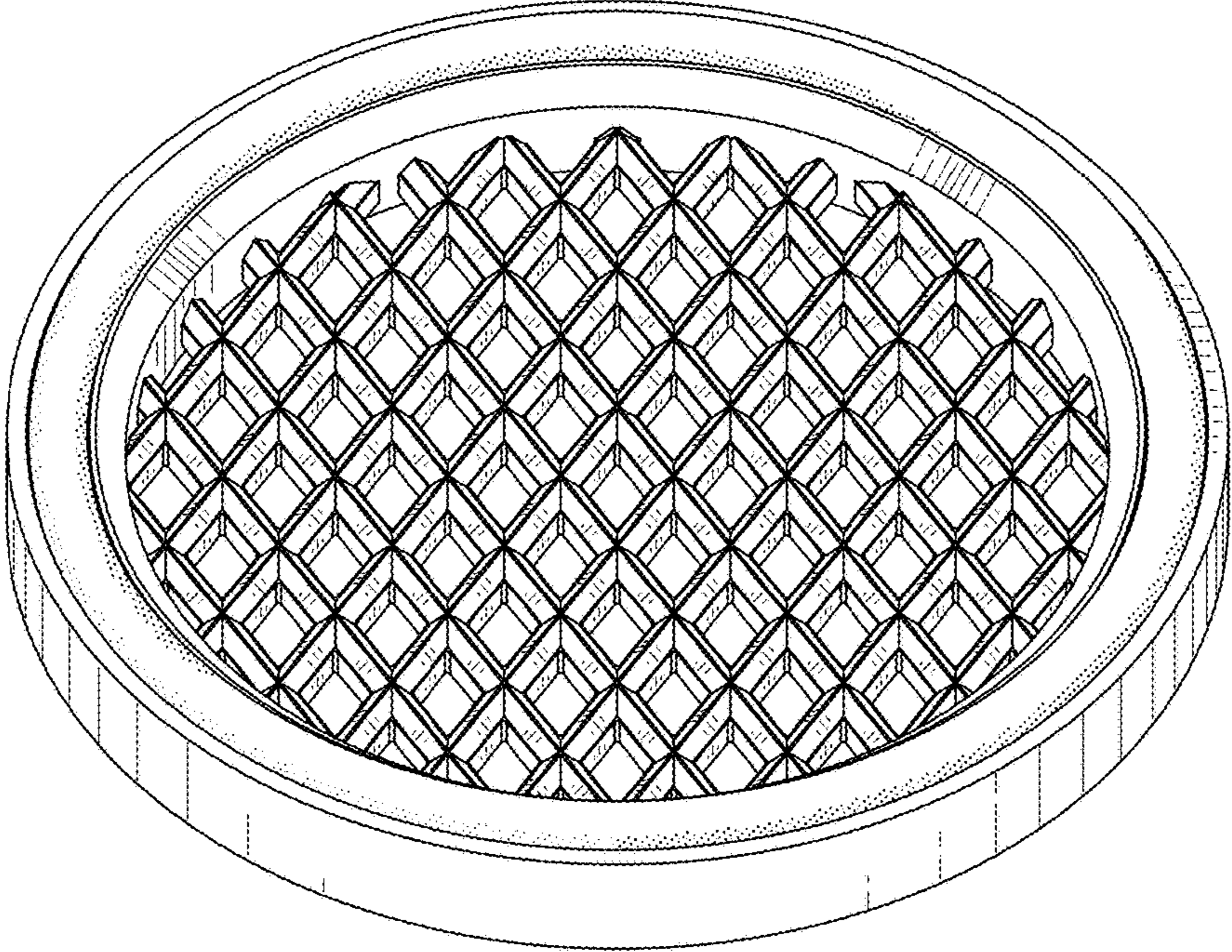


FIG. 1

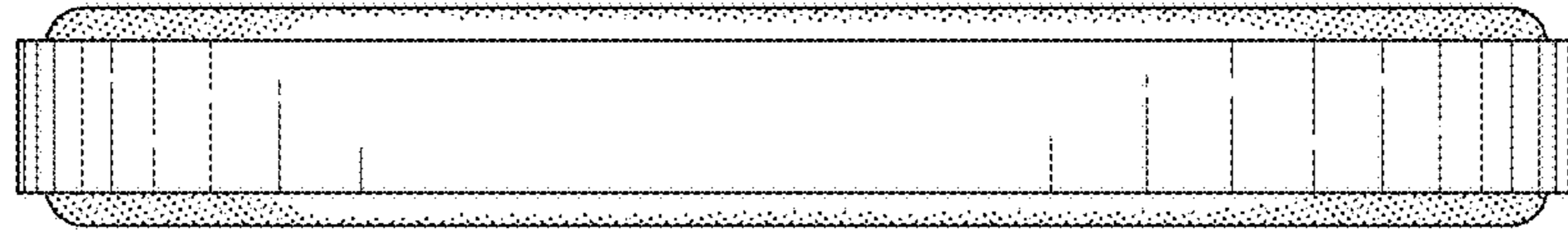


FIG. 2

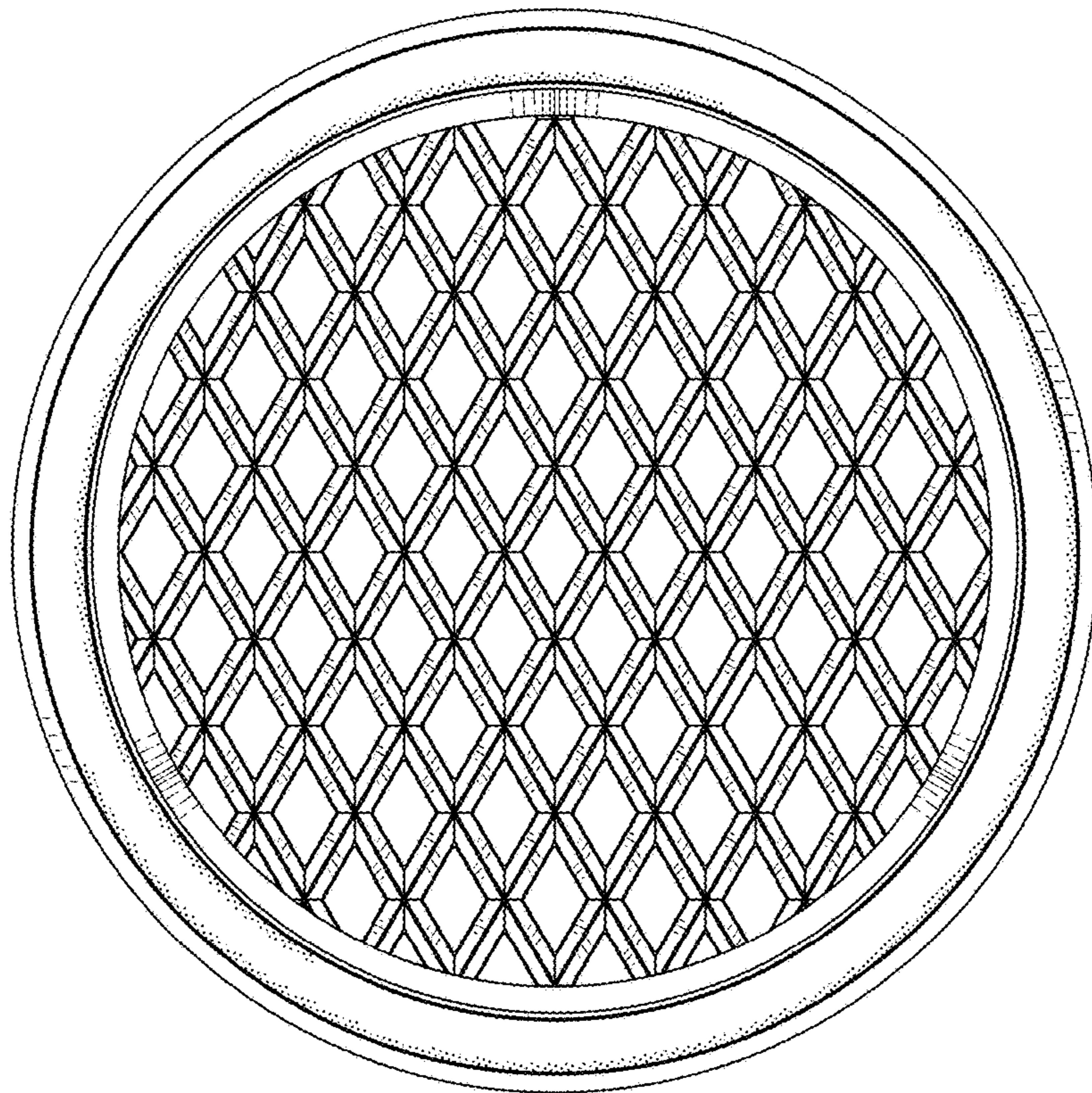


FIG. 3

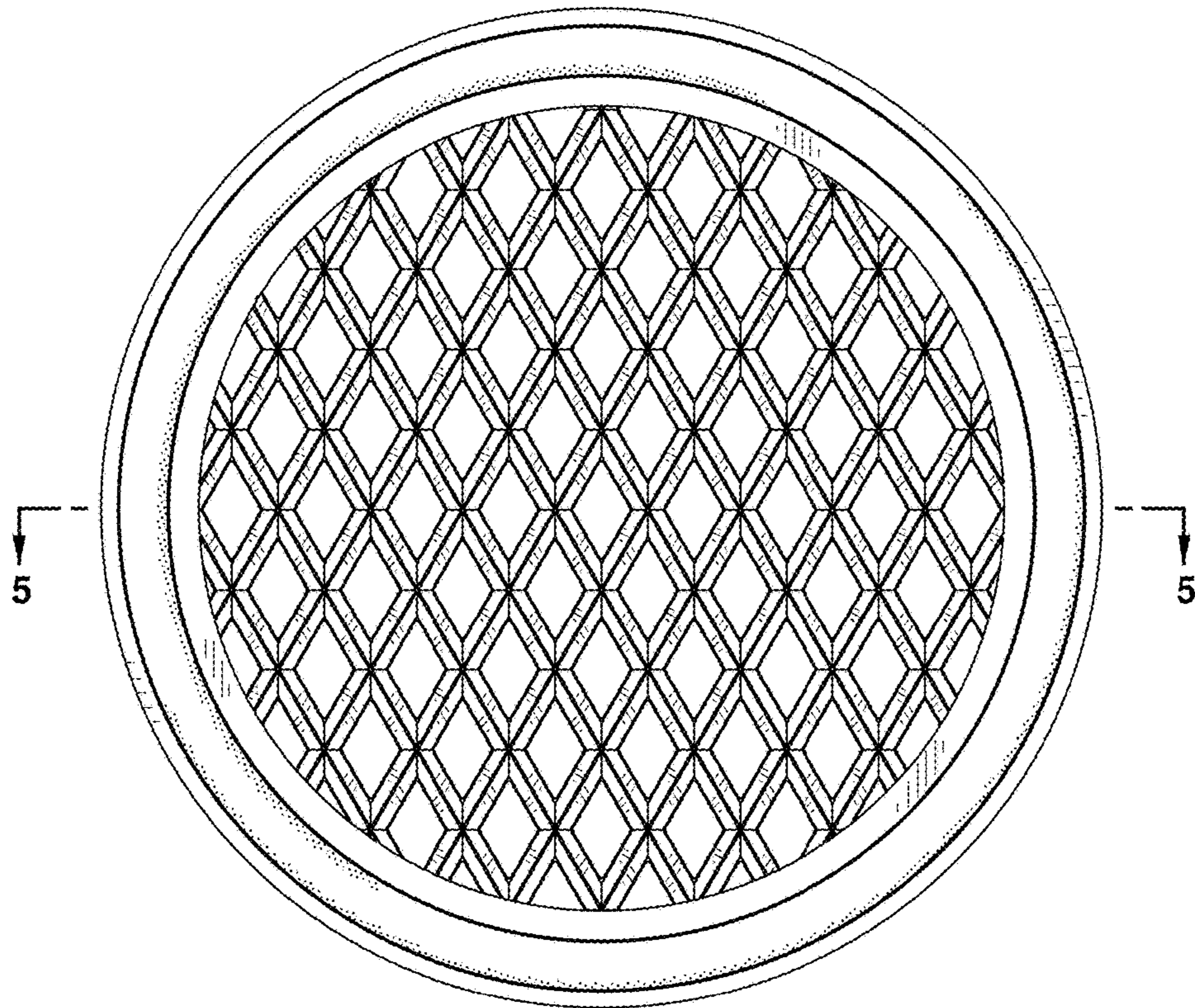


FIG. 4

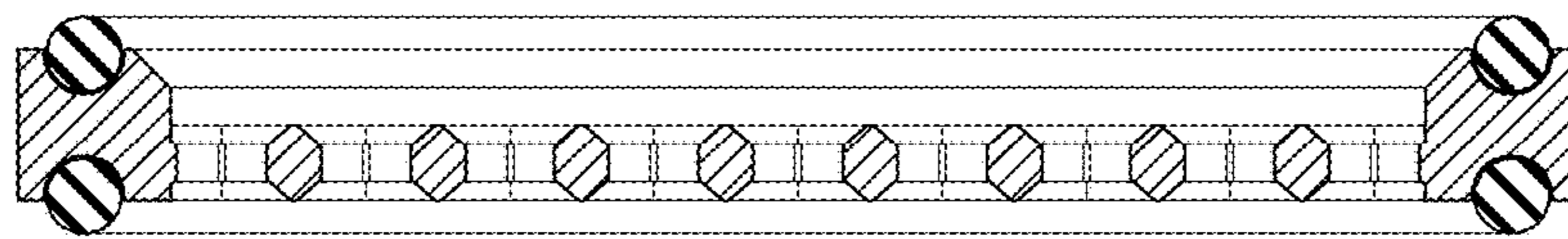


FIG. 5

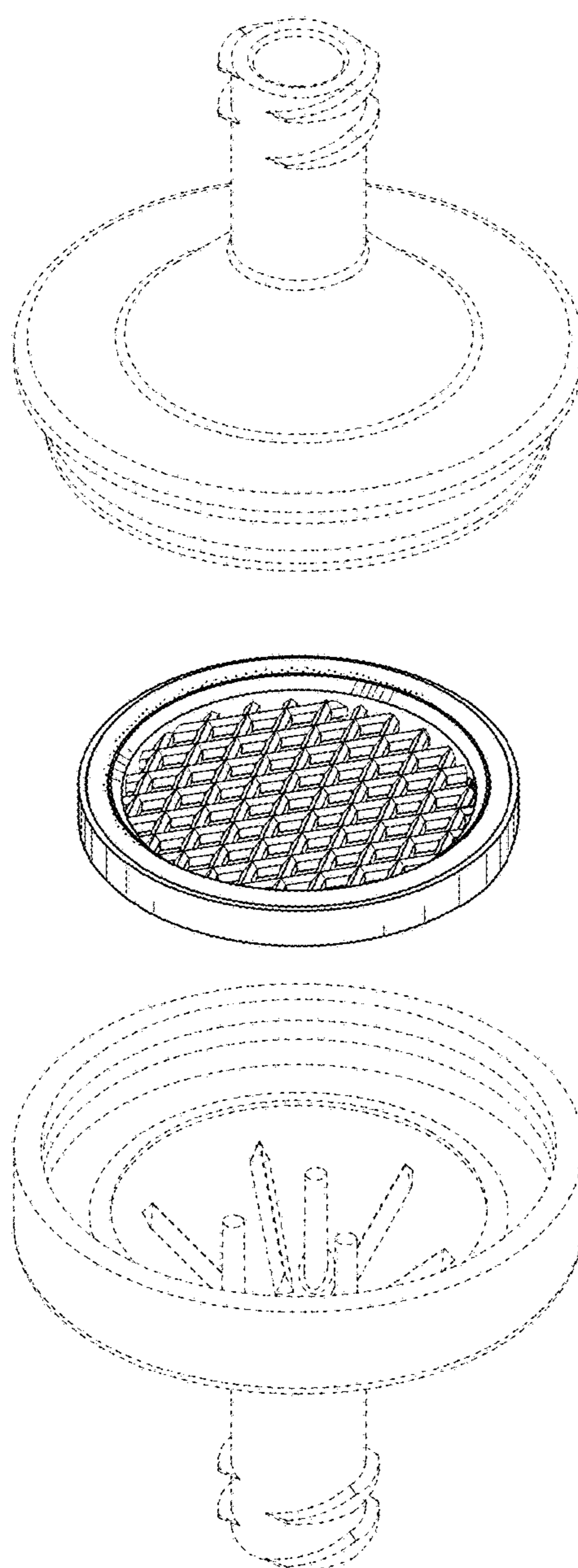


FIG. 6

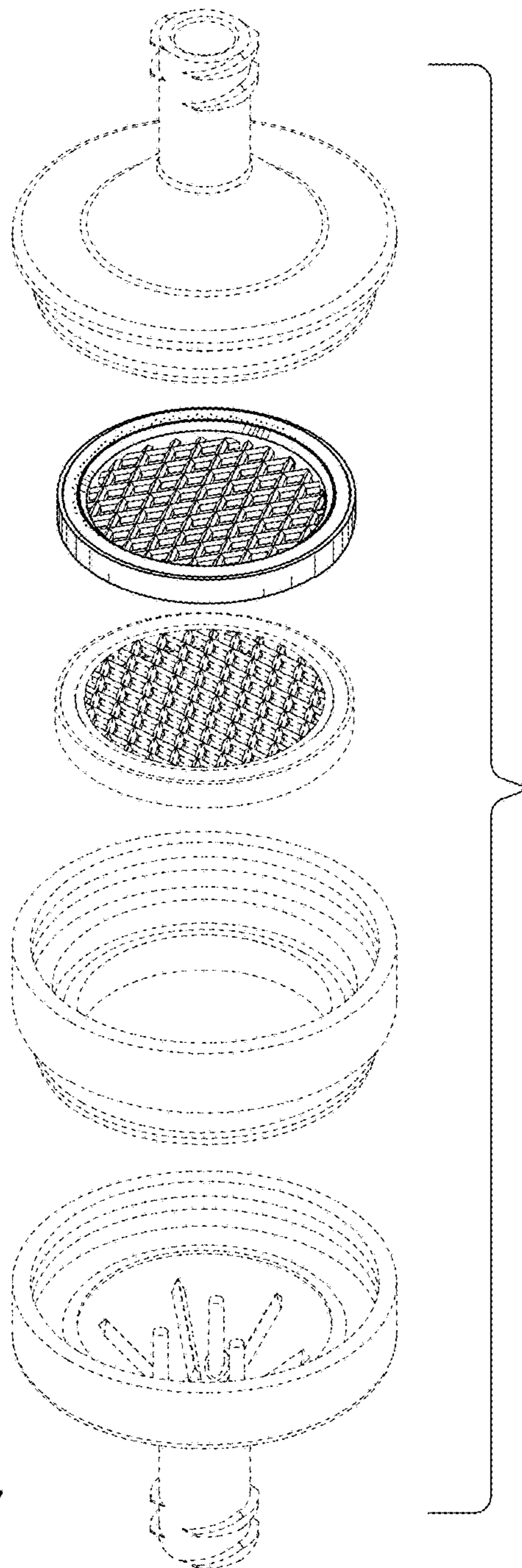


FIG. 7