



US00D850195S

(12) **United States Design Patent** (10) **Patent No.:** **US D850,195 S**  
**Ding et al.** (45) **Date of Patent:** **\*\* Jun. 4, 2019**

(54) **DECANTING DEVICE**  
(71) Applicant: **WENZHOU SORBO TECHNOLOGY Co., LTD**, Wenzhou (CN)

D713,929 S \* 9/2014 Zaji ..... D23/207  
D732,890 S \* 6/2015 Connors ..... D7/397  
9,579,612 B2 \* 2/2017 Stevenson ..... B01F 3/04794  
9,862,590 B2 \* 1/2018 Chung ..... B67D 1/10  
D812,421 S \* 3/2018 Schaarschmidt ..... D7/397  
D836,389 S \* 12/2018 Abante ..... D7/392.1  
2011/0024461 A1 \* 2/2011 Kilduff ..... B01F 3/0473  
222/190

(72) Inventors: **Zhenyao Ding**, Wenzhou (CN);  
**Jianjun Wu**, Wenzhou (CN)

(73) Assignee: **WENZHOU SORBO TECHNOLOGY Co., LTD**, Wenzhou (CN)

(\*\*) Term: **15 Years**

(21) Appl. No.: **29/646,839**

(22) Filed: **May 8, 2018**

(30) **Foreign Application Priority Data**

Nov. 8, 2017 (CN) ..... 2017 3 0548063

(51) **LOC (11) Cl.** ..... **07-99**

(52) **U.S. Cl.**  
USPC ..... **D7/397**

(58) **Field of Classification Search**  
USPC ..... D7/387, 392, 392.1, 395, 396.1, 397,  
D7/398, 400, 213; D9/434, 440, 439,  
D9/544, 545, 549, 551  
CPC ..... B65D 23/04; B65D 39/00; B65D 47/18;  
A47J 36/14  
See application file for complete search history.

(56) **References Cited**

**U.S. PATENT DOCUMENTS**

D421,872 S \* 3/2000 Wong ..... D7/376  
8,561,970 B1 \* 10/2013 Mills ..... B01F 13/002  
261/124  
D701,080 S \* 3/2014 Mills ..... D7/397  
D701,081 S \* 3/2014 Mills ..... D7/397  
D705,004 S \* 5/2014 Mills ..... D7/300.2

**OTHER PUBLICATIONS**

Wine Decanter posted at Alibaba.com, no posting date given [online], [site visited Feb. 12, 2019]. Available from Internet, <URL: https://www.alibaba.com/product-detail/Wine-Decanter-Promotional-Products-Premium-Aerator\_60861437612.html?spm=a2700.galleryofferlist.normalList.196.580d6947sZO65g> (Year: 2018).\*

\* cited by examiner

*Primary Examiner* — Derrick E Holland  
*Assistant Examiner* — Andrew Kerr  
(74) *Attorney, Agent, or Firm* — Gokalp Bayramoglu

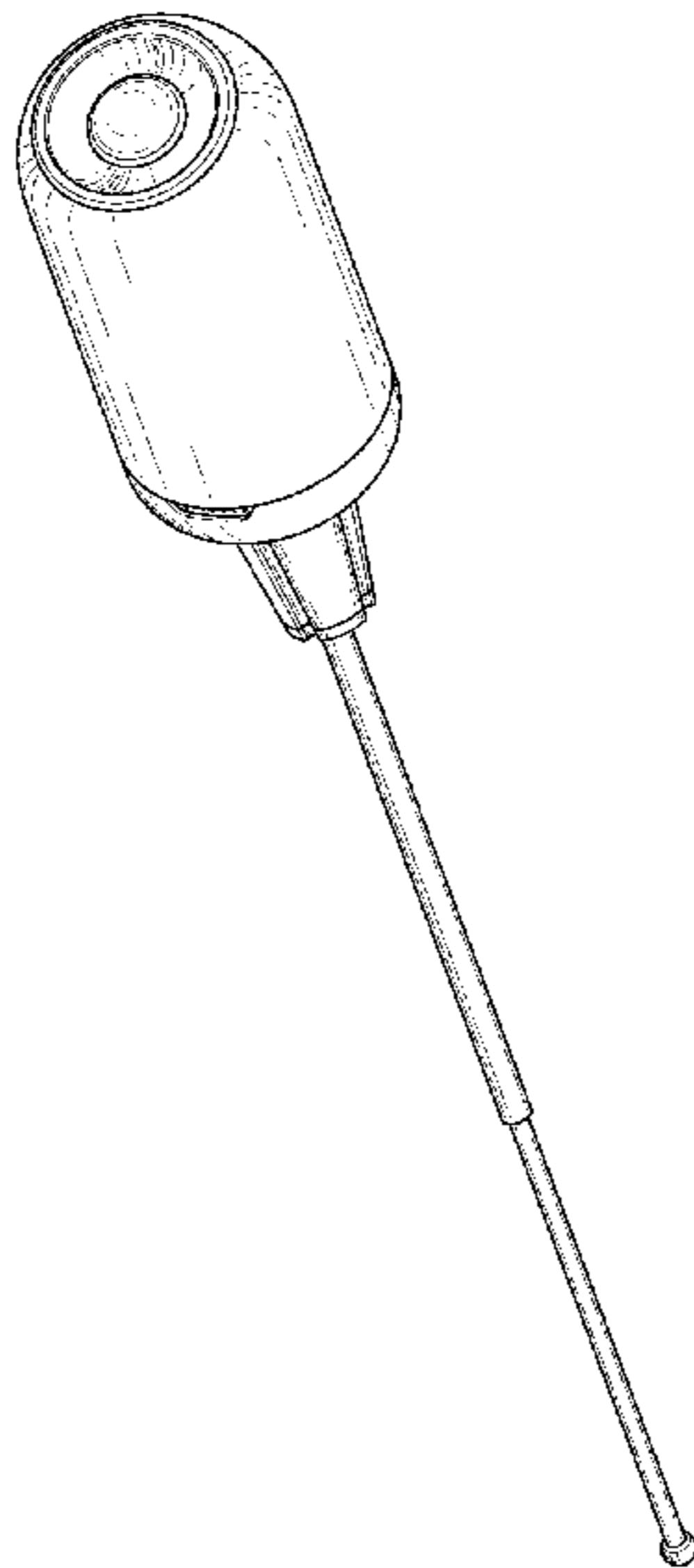
(57) **CLAIM**

The ornamental design for a decanting device, as shown and described.

**DESCRIPTION**

FIG. 1 is a perspective view of a decanting device showing the new design;  
FIG. 2 is a front view thereof;  
FIG. 3 is a partial enlarged view at part A thereof;  
FIG. 4 is a rear view thereof;  
FIG. 5 is a left side view thereof;  
FIG. 6 is a right side view thereof;  
FIG. 7 is a top view thereof; and,  
FIG. 8 is a bottom view thereof.  
The dot-dash broken lines in FIG. 3 define the bounds of the claim and form no part of the claimed design.

**1 Claim, 8 Drawing Sheets**



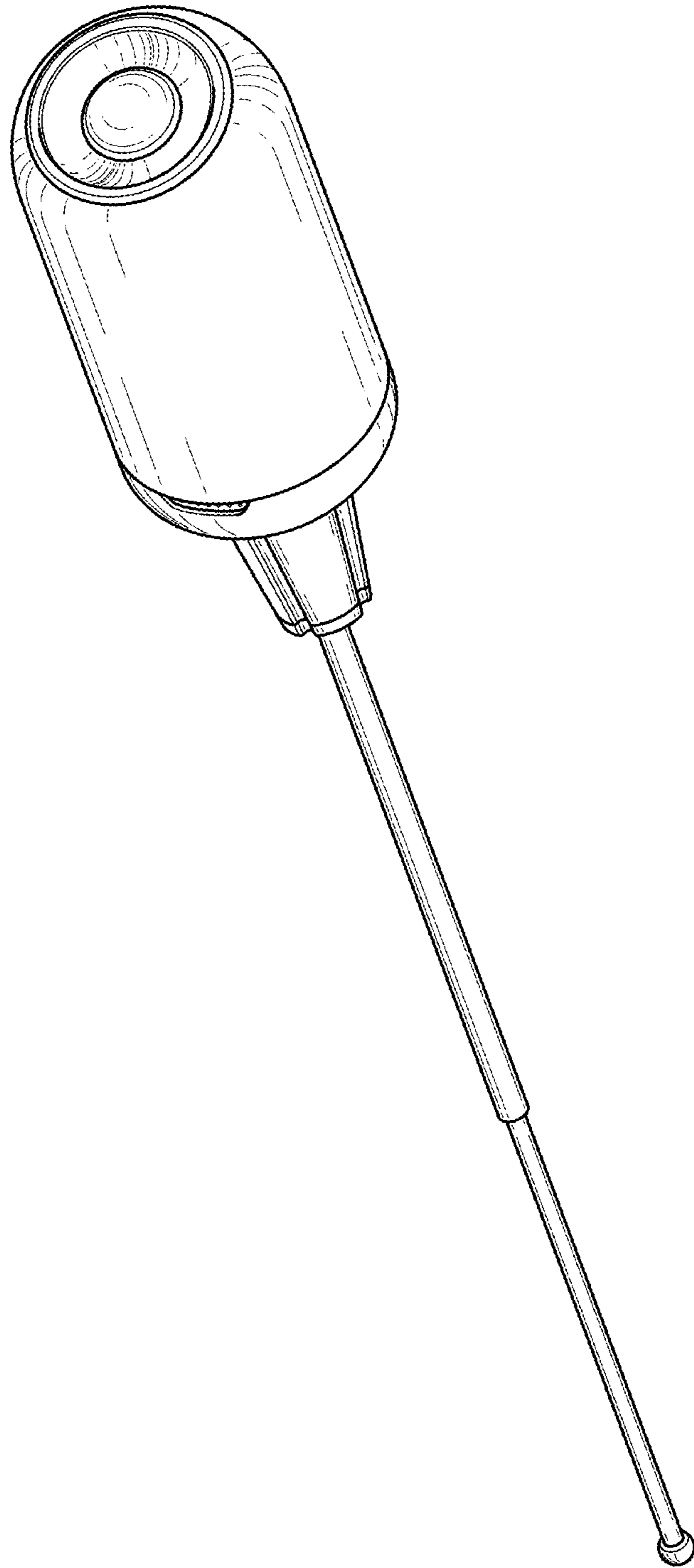


Fig. 1

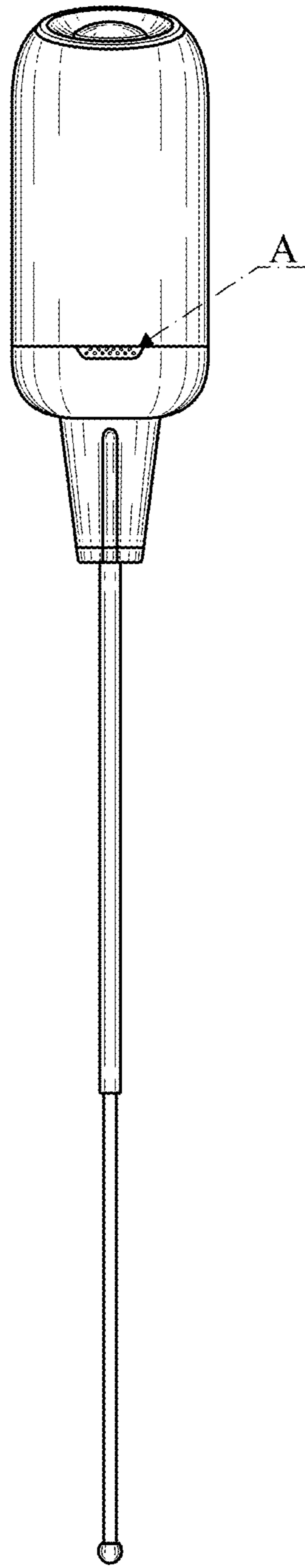


Fig. 2

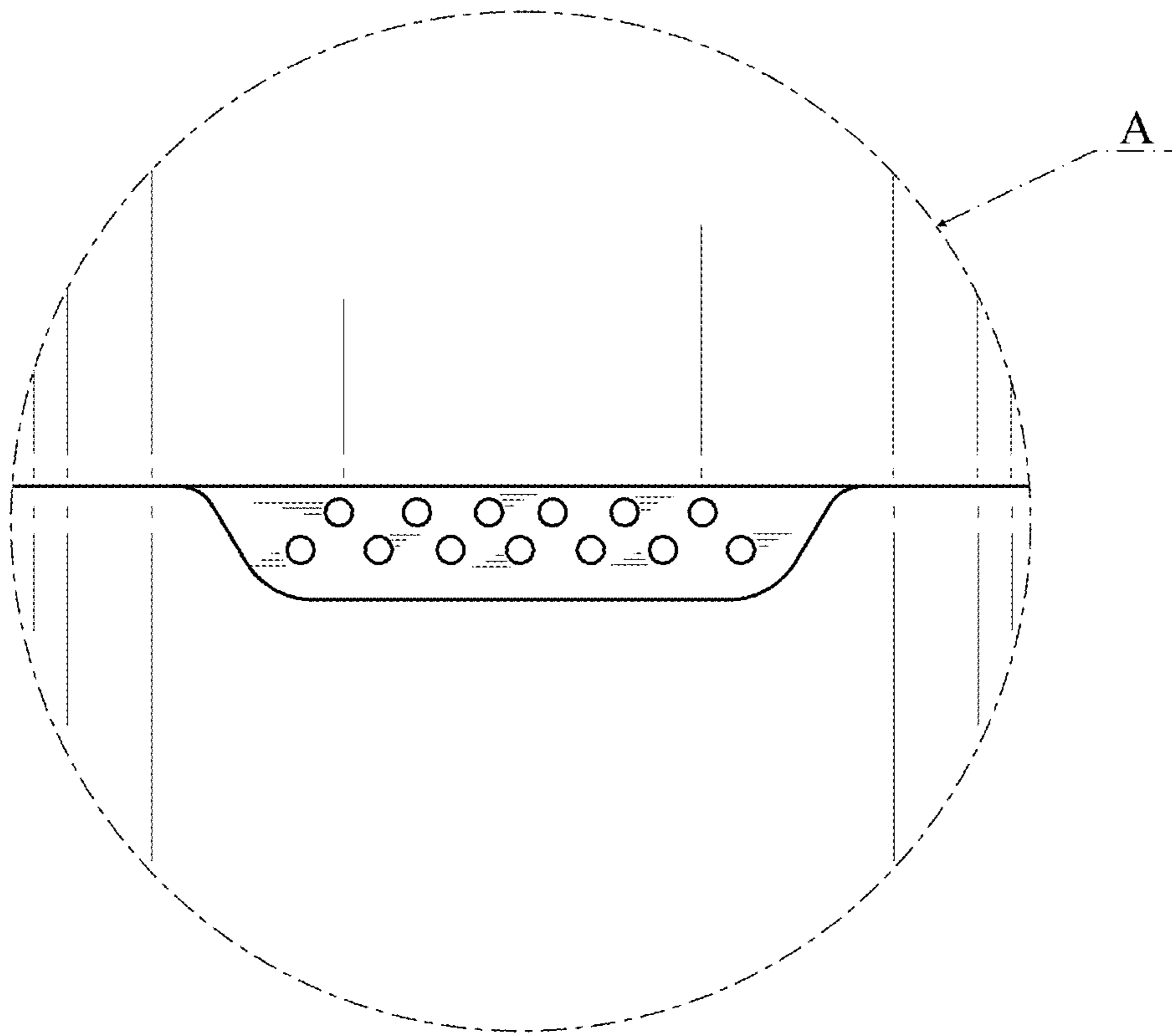


Fig. 3

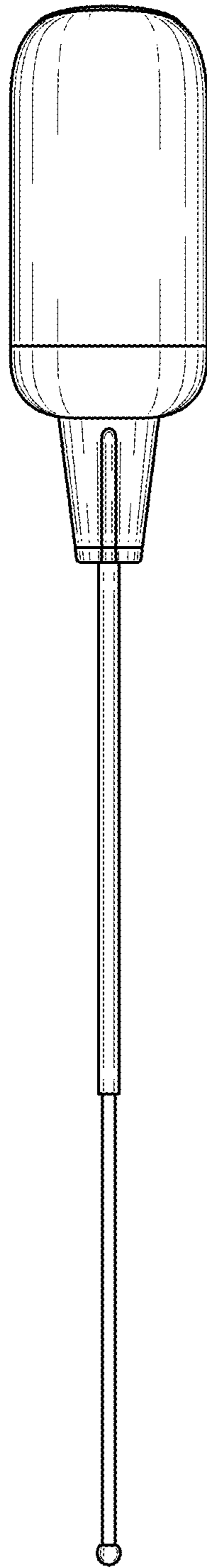


Fig. 4

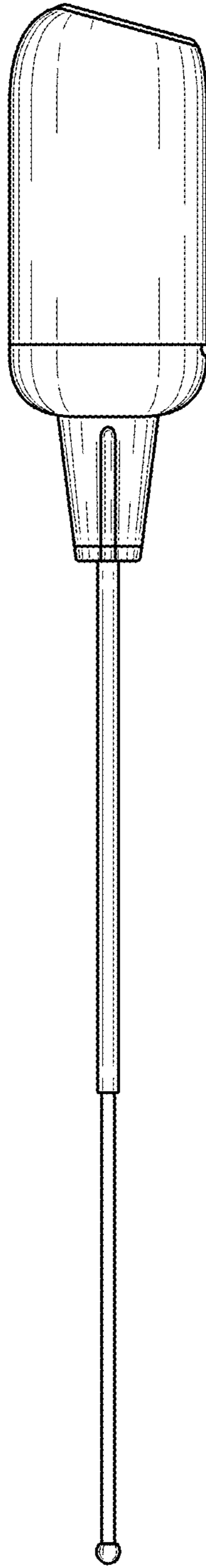


Fig. 5

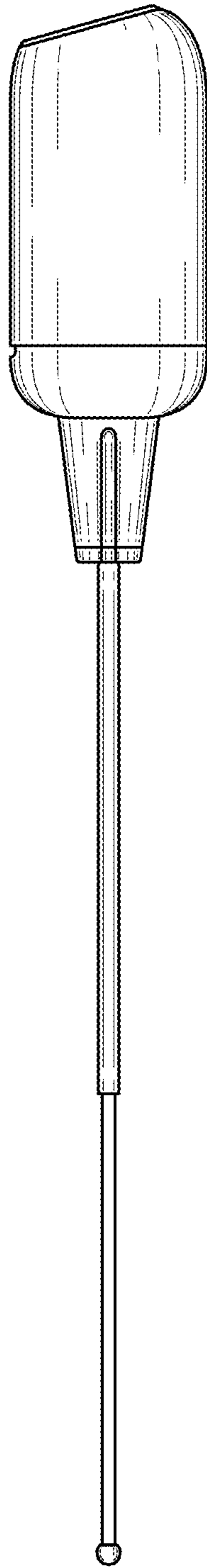


Fig. 6

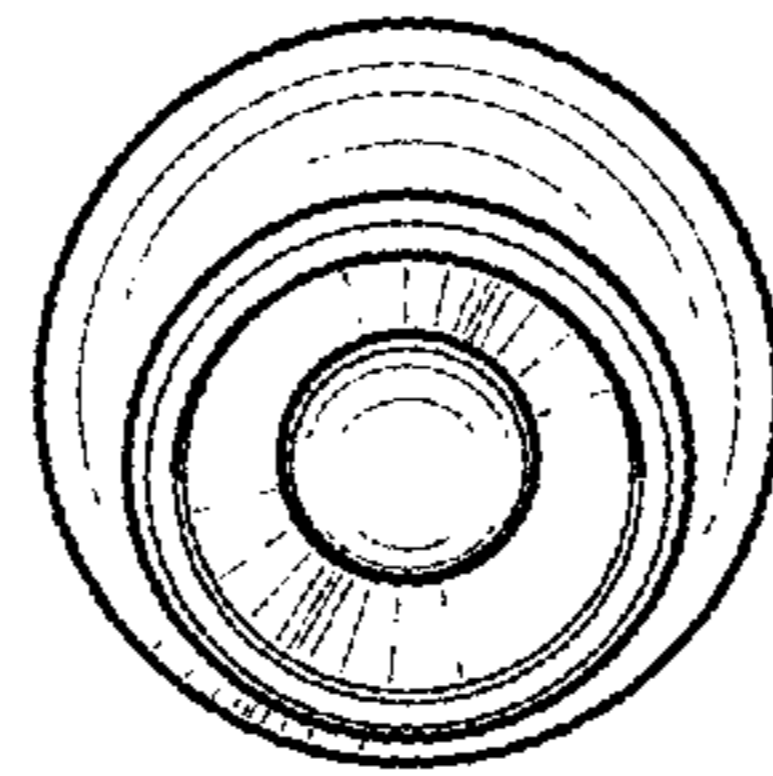


Fig. 7



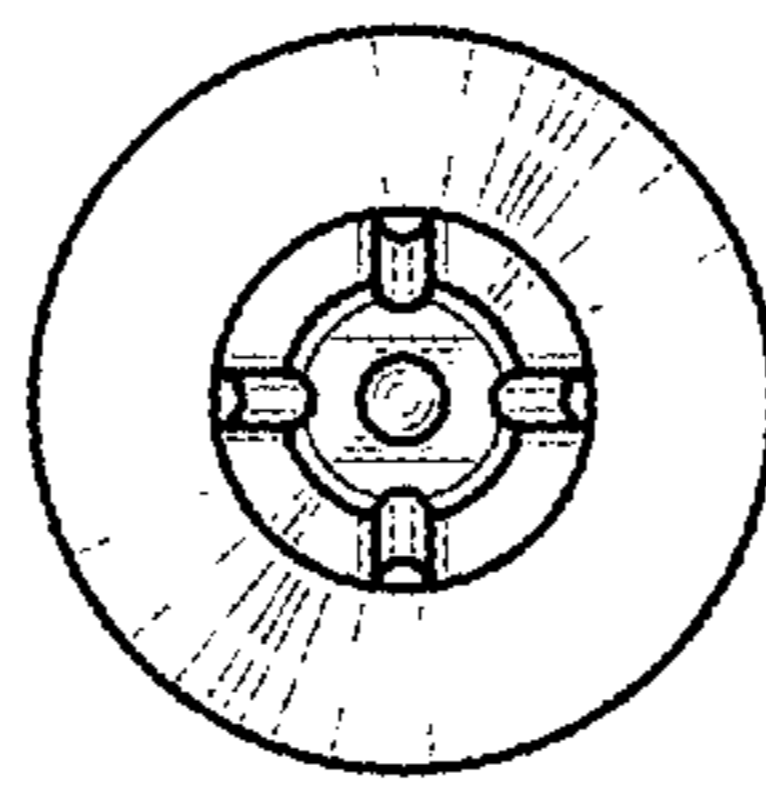


Fig. 8