



US00D850194S

(12) **United States Design Patent** (10) **Patent No.:** **US D850,194 S**
Bell et al. (45) **Date of Patent:** **** Jun. 4, 2019**

(54) **PITCHER LID**
(71) Applicant: **Brita LP**, Oakland, CA (US)
(72) Inventors: **Russell E. Bell**, Pleasanton, CA (US);
Nikhil P. Dani, Pleasanton, CA (US);
Brett Z. Green, Pleasanton, CA (US);
Dan Harden, San Jose, CA (US);
Piercy Yau, Causeway Bay (HK);
Elliot L. Ortiz, San Francisco, CA (US)

(73) Assignee: **Brita LP**, Oakland, CA (US)

(**) Term: **15 Years**

(21) Appl. No.: **29/636,216**

(22) Filed: **Feb. 7, 2018**

Related U.S. Application Data

(62) Division of application No. 29/574,152, filed on Aug. 12, 2016, now Pat. No. Des. 823,042.

(51) **LOC (11) Cl.** **07-99**

(52) **U.S. Cl.**
USPC **D7/397**

(58) **Field of Classification Search**
USPC D7/300, 302, 303, 305, 397, 399,
D7/316-319, 321, 600, 602, 619.1;
D9/516, 523, 524, 527, 528; D23/212
CPC A47J 27/21058; A47J 31/40; A47J 31/41;
A47G 19/12; A47G 19/14; A47G 19/145;
B01D 35/02; B65D 47/06
See application file for complete search history.

(56) **References Cited**

U.S. PATENT DOCUMENTS

D416,163 S 11/1999 Doritty et al.
D604,088 S * 11/2009 Bursztein D7/317

D620,304 S * 7/2010 Rajan D7/317
D626,777 S * 11/2010 Bell D7/317
D626,779 S 11/2010 Bell et al.
D632,520 S * 2/2011 Bell D7/317
D636,627 S * 4/2011 Harris D7/317
D668,094 S * 10/2012 Broen D7/317
D669,296 S 10/2012 Lane et al.
D680,789 S 4/2013 Bell et al.
D680,791 S 4/2013 Bell et al.
9,132,369 B2 9/2015 Bell et al.
9,282,836 B2 3/2016 Nishijima et al.
D794,993 S 8/2017 Hand
2004/0168957 A1 * 9/2004 Tsataros B01D 29/603
210/85
2007/0151979 A1 * 7/2007 Klump B65D 43/20
220/533
2011/0300275 A1 12/2011 Lackey et al.

* cited by examiner

Primary Examiner — Derrick E Holland

Assistant Examiner — Andrew Kerr

(74) *Attorney, Agent, or Firm* — Stacy H. Combs

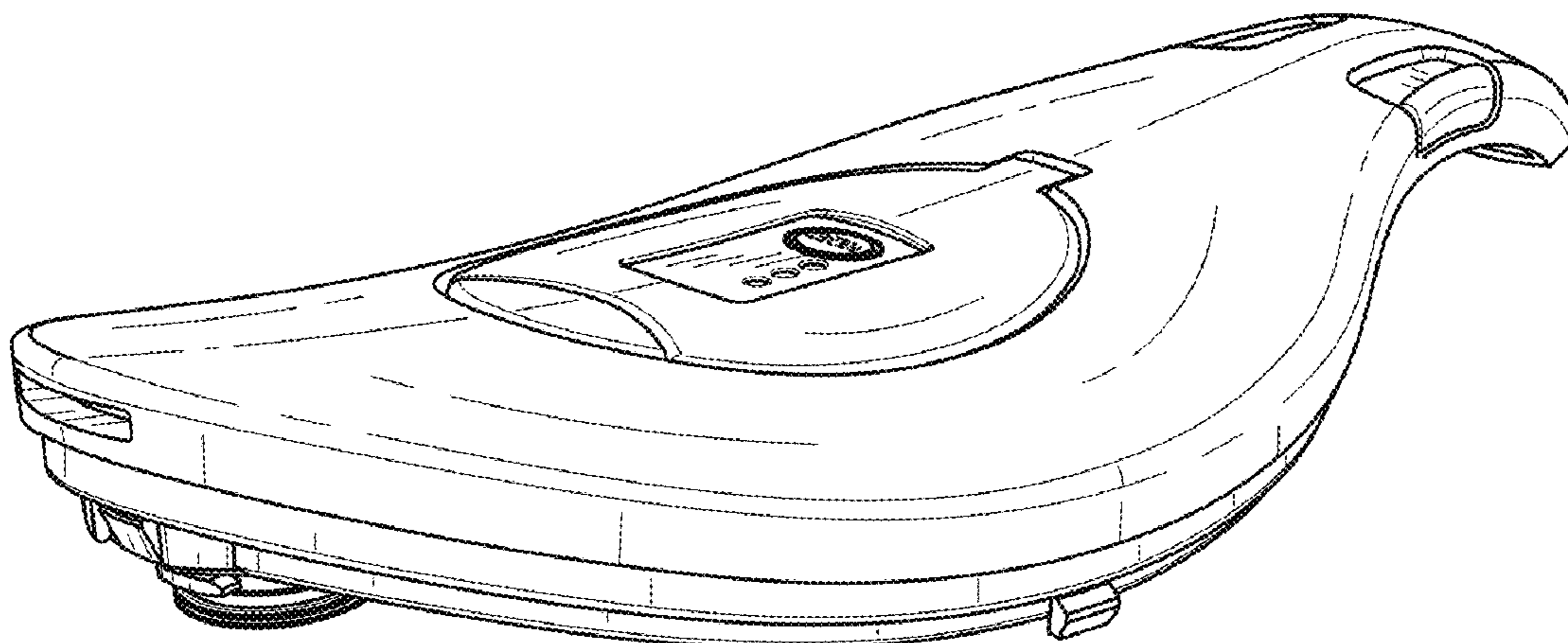
(57) **CLAIM**

The ornamental design for a pitcher lid, as shown and described.

DESCRIPTION

FIG. 1 is a front perspective view of a pitcher lid, showing our new design;
FIG. 2 is a rear perspective view thereof;
FIG. 3 is a front view thereof;
FIG. 4 is a rear view thereof;
FIG. 5 is a right side view thereof;
FIG. 6 is a left side view thereof;
FIG. 7 is a top view thereof; and,
FIG. 8 is a bottom view thereof.

1 Claim, 8 Drawing Sheets



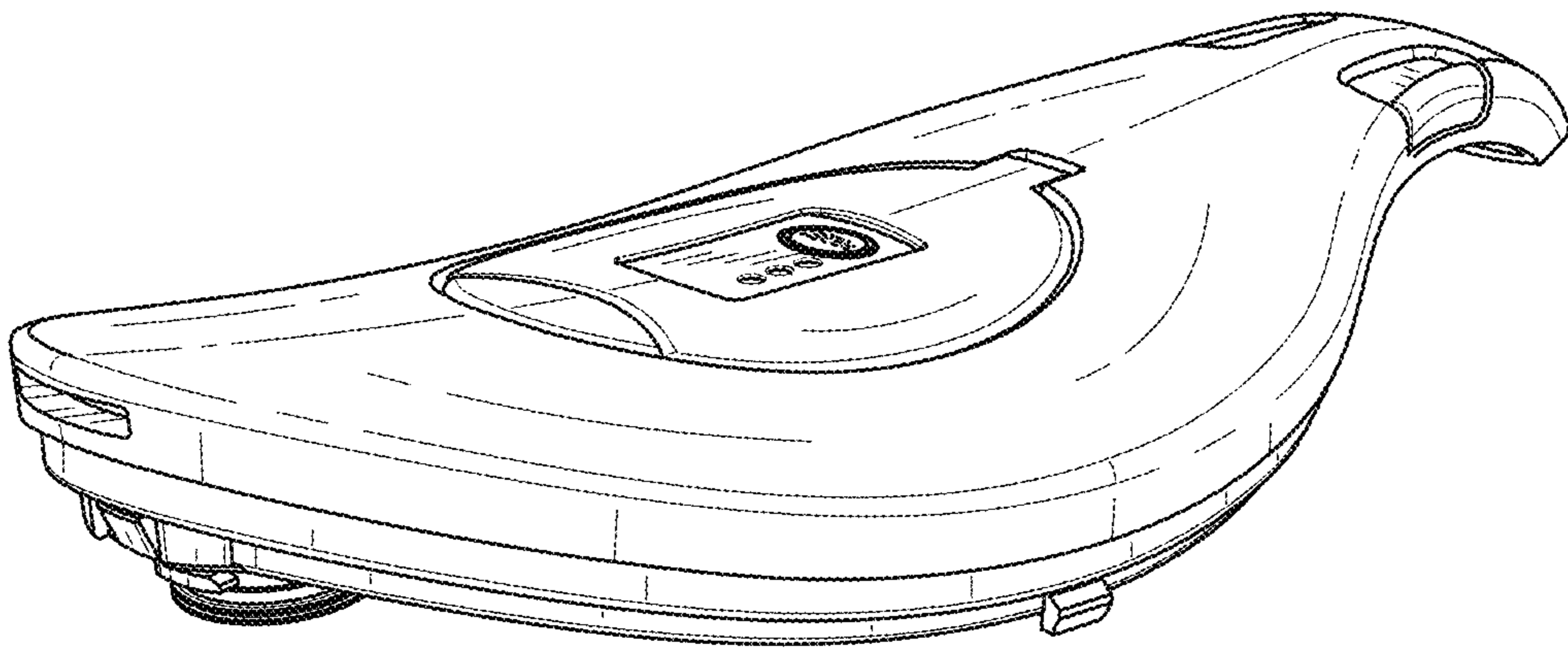


FIG. 1

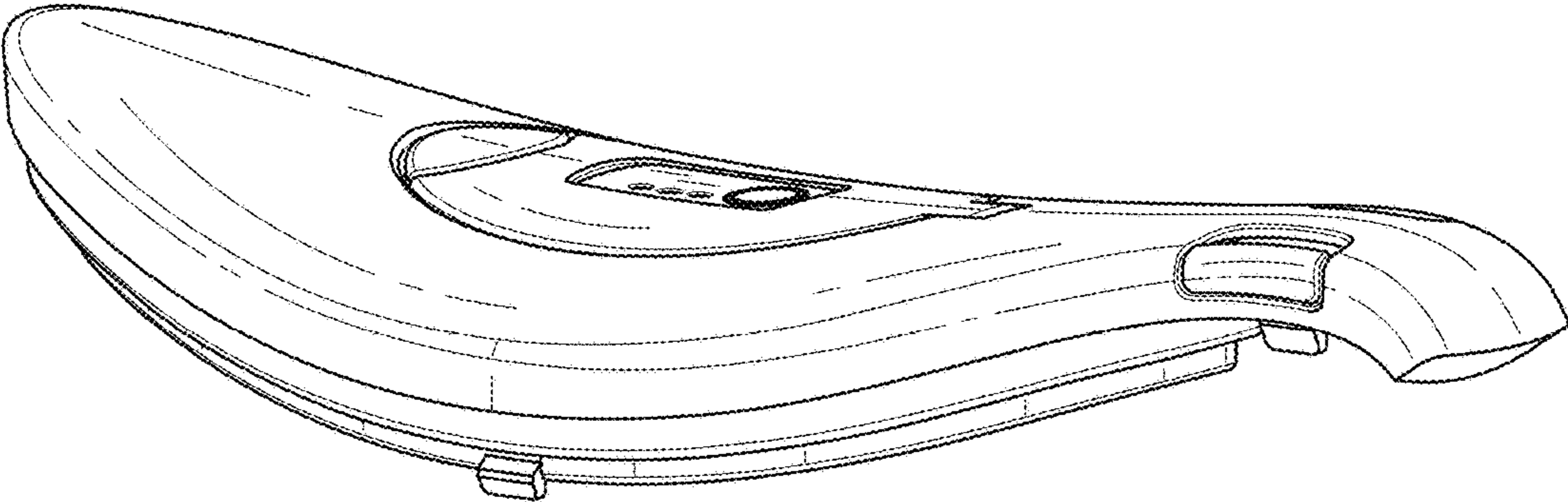


FIG. 2

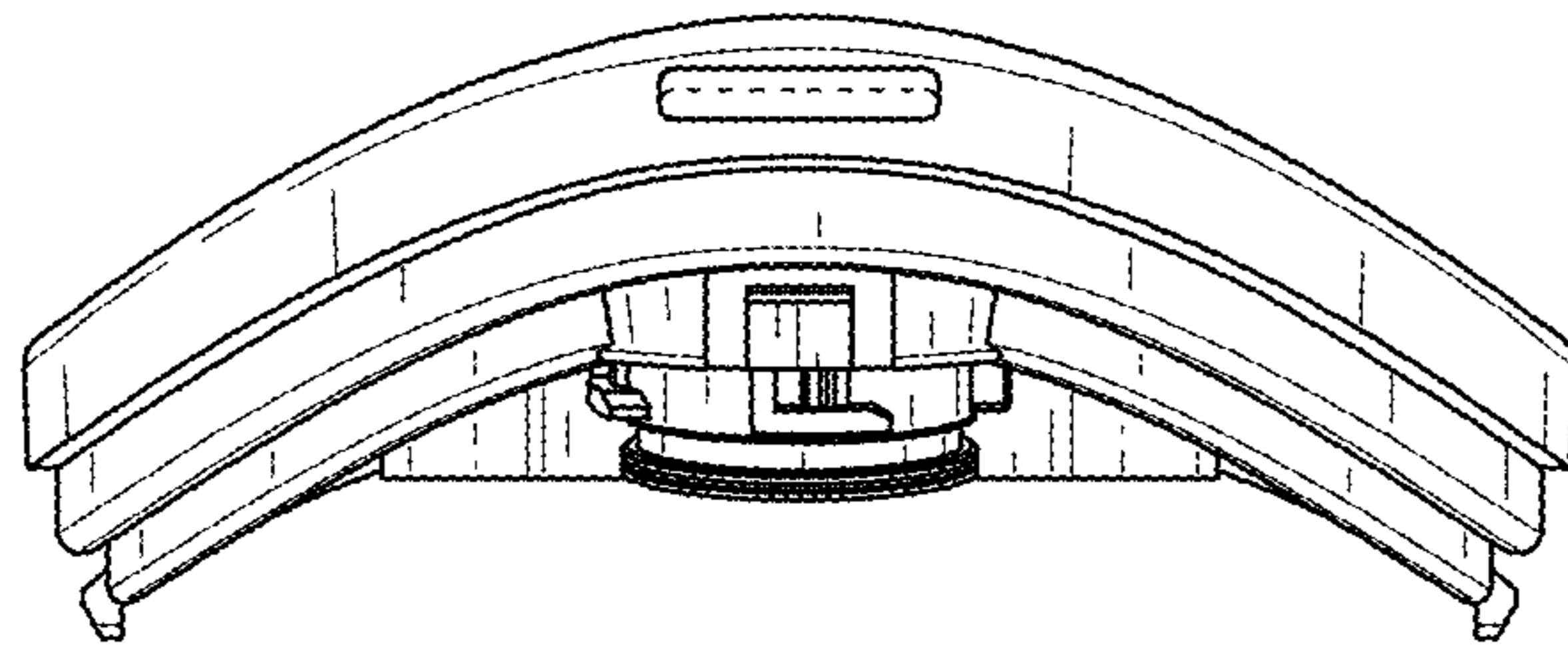


FIG. 3

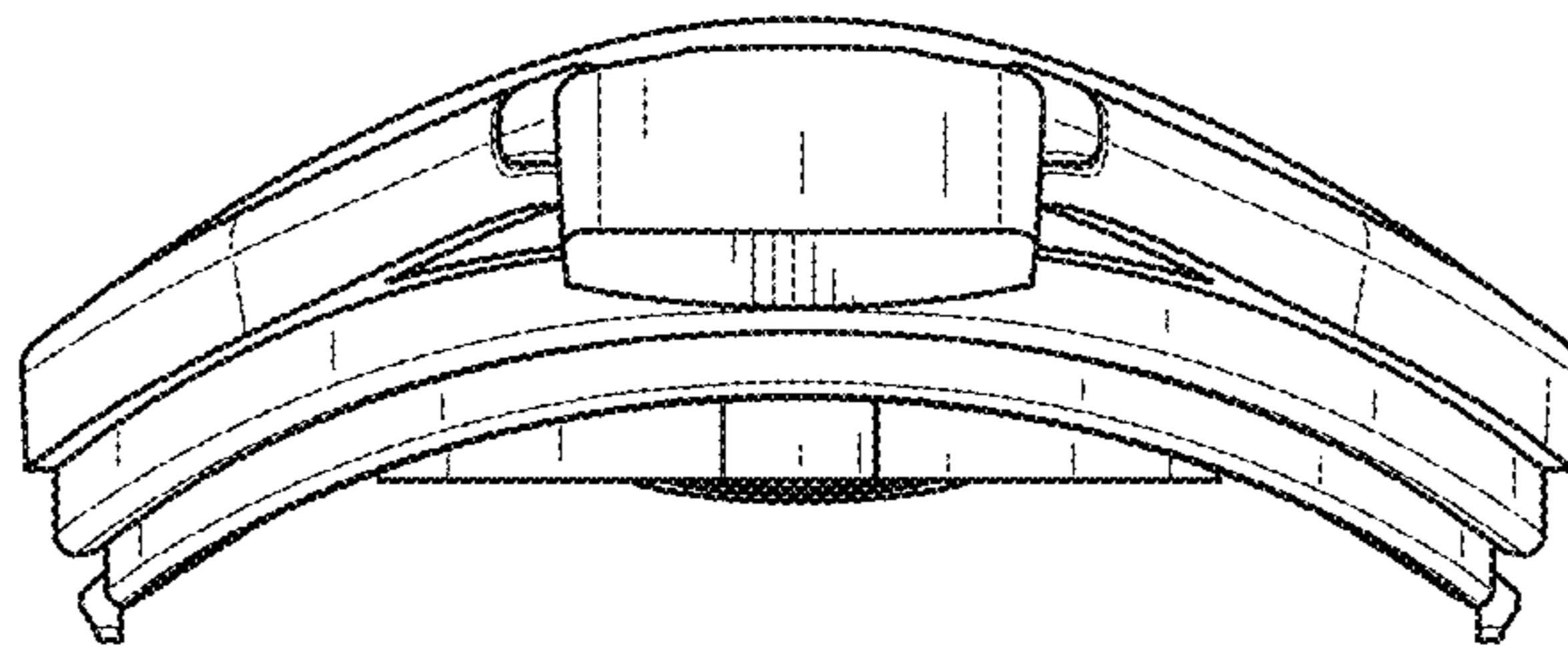


FIG. 4

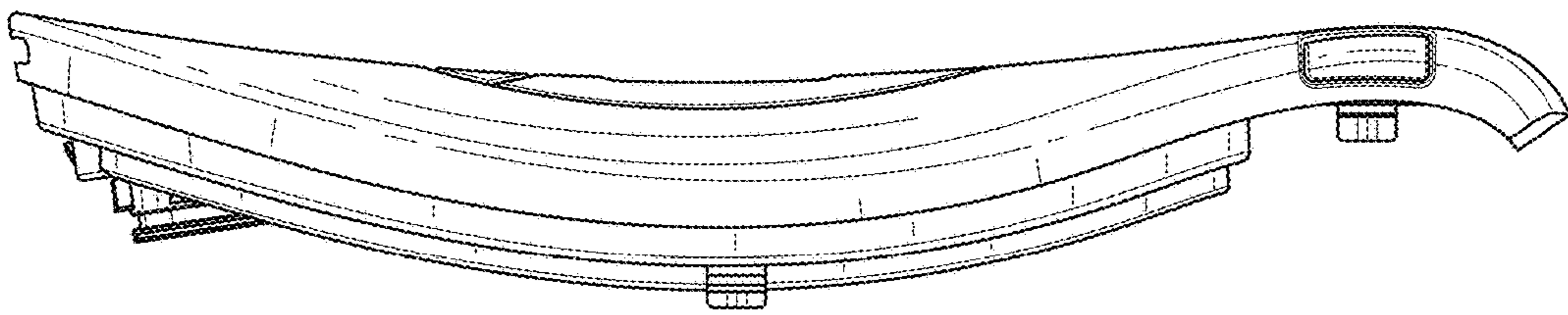


FIG. 5

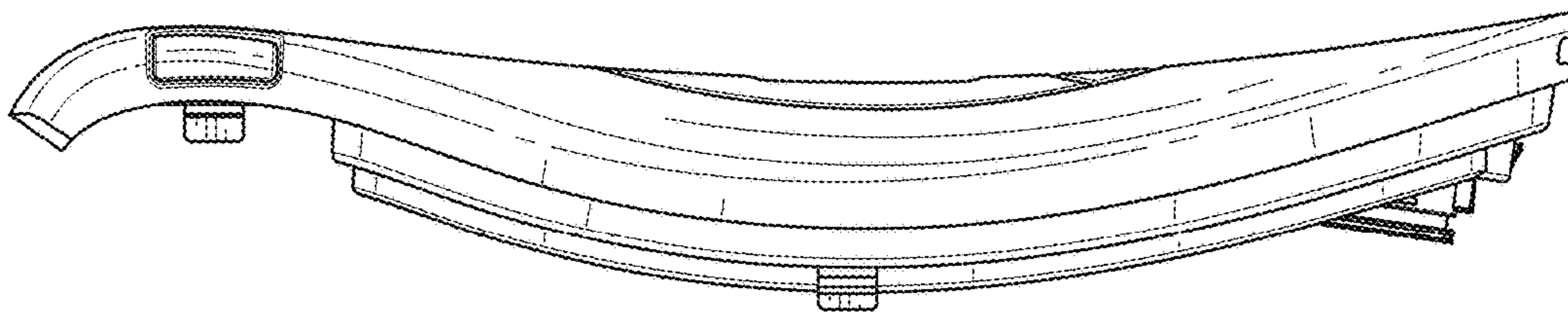


FIG. 6

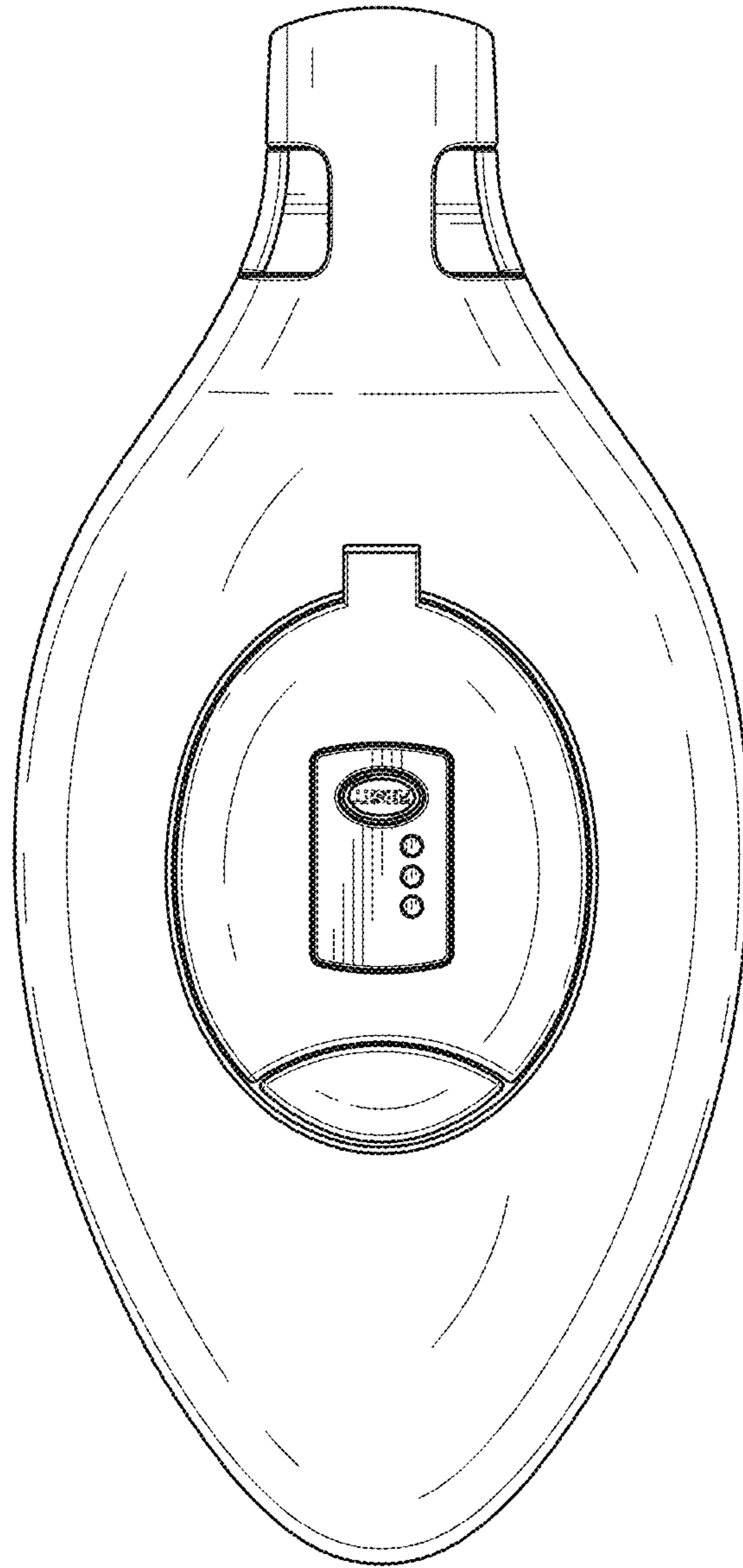


FIG. 7

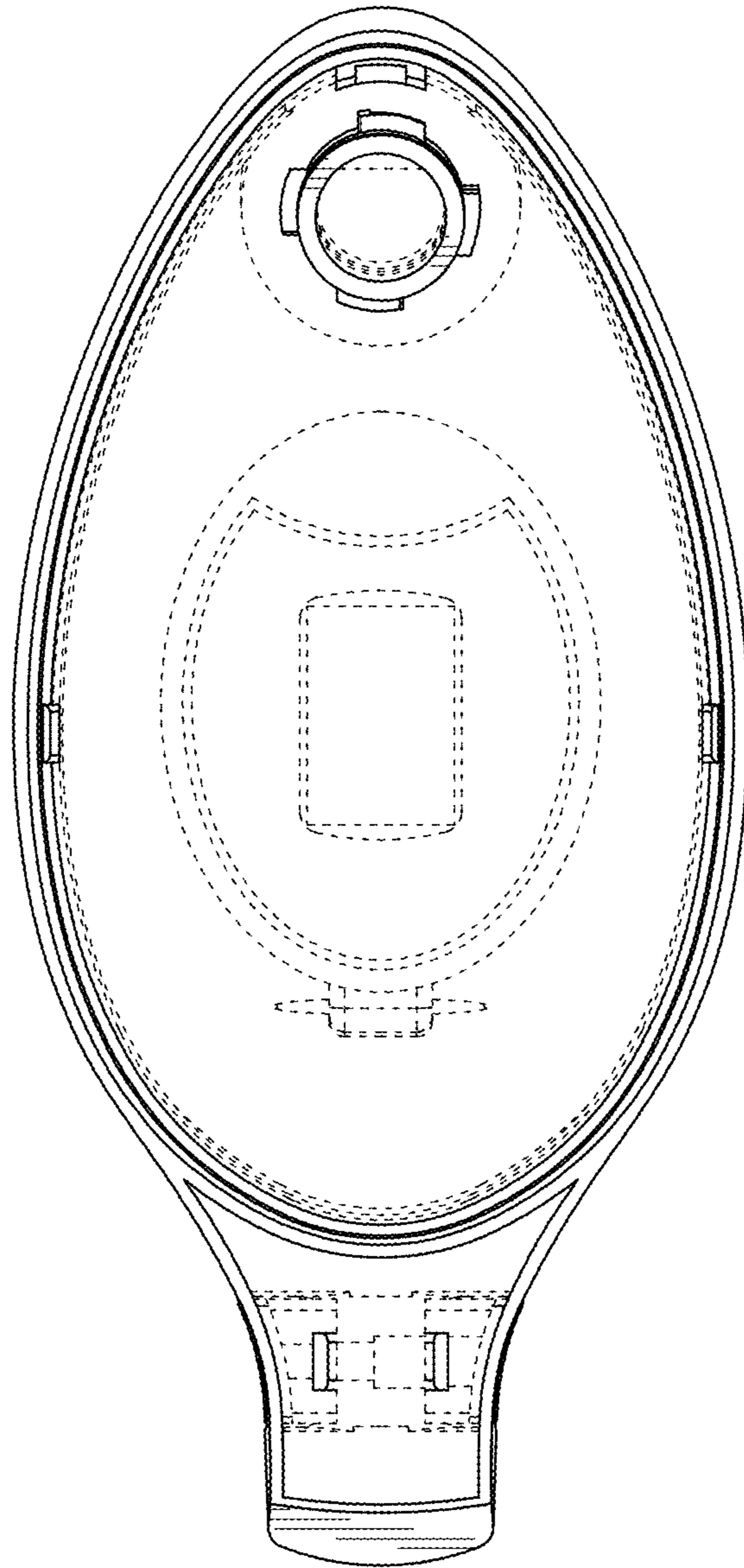


FIG. 8