



US00D850193S

(12) **United States Design Patent** (10) **Patent No.:** **US D850,193 S**  
**Bell et al.** (45) **Date of Patent:** **\*\* Jun. 4, 2019**

(54) **PITCHER LID**

(56) **References Cited**

(71) Applicant: **Brita LP**, Oakland, CA (US)

U.S. PATENT DOCUMENTS

(72) Inventors: **Russell E. Bell**, Pleasanton, CA (US);  
**Nikhil P. Dani**, Pleasanton, CA (US);  
**Brett Z. Green**, Pleasanton, CA (US);  
**Dan Harden**, San Jose, CA (US);  
**Piercy Yau**, Causeway Bay (HK);  
**Elliot L. Ortiz**, San Francisco, CA (US)

D416,163 S	11/1999	Doritty et al.	
D626,779 S	11/2010	Bell et al.	
D669,296 S	10/2012	Lane et al.	
D680,789 S	4/2013	Bell et al.	
D680,791 S	4/2013	Bell et al.	
D728,298 S *	5/2015	Ma .....	D7/317
9,132,369 B2	9/2015	Bell et al.	
9,282,836 B2	3/2016	Nishijima et al.	
D789,135 S *	6/2017	Green .....	D7/317
D794,993 S	8/2017	Hand	
D815,482 S *	4/2018	Bell .....	D7/318
2008/0047883 A1 *	2/2008	Fedotov .....	C02F 1/003 210/91
2011/0300275 A1	12/2011	Lackey et al.	

(73) Assignee: **Brita LP**

(\*\*) Term: **15 Years**

\* cited by examiner

(21) Appl. No.: **29/636,212**

*Primary Examiner* — Derrick E Holland

*Assistant Examiner* — Andrew Kerr

(22) Filed: **Feb. 7, 2018**

(74) *Attorney, Agent, or Firm* — Stacy H. Combs

**Related U.S. Application Data**

(57) **CLAIM**

The ornamental design for a pitcher lid, as shown and described.

(62) Division of application No. 29/574,137, filed on Aug. 12, 2016, now Pat. No. Des. 834,362.

**DESCRIPTION**

(51) **LOC (11) Cl.** ..... **07-99**

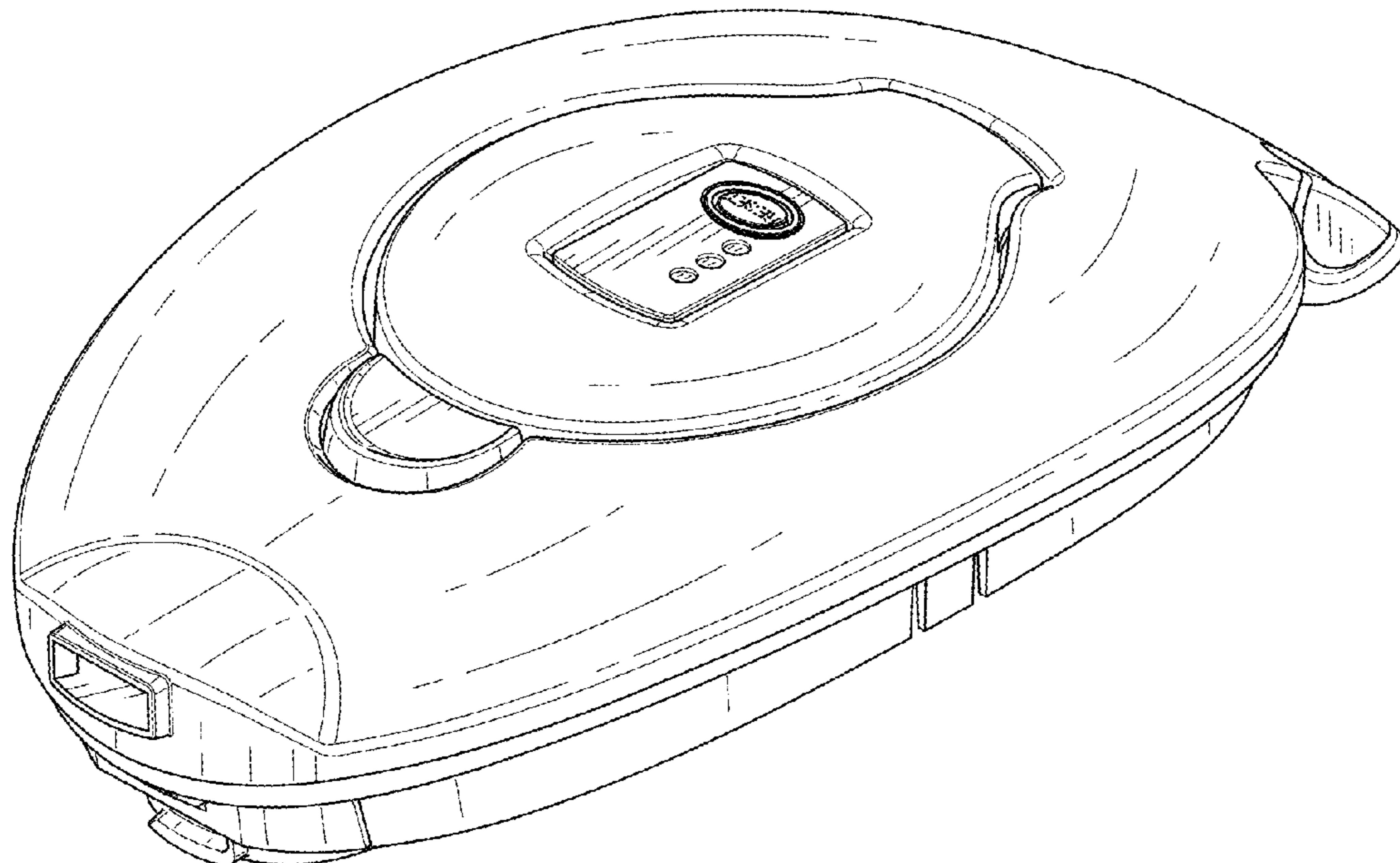
FIG. 1 is a front perspective view of a pitcher lid, showing our new design;  
FIG. 2 is a rear perspective view thereof;  
FIG. 3 is a front view thereof;  
FIG. 4 is a rear view thereof;  
FIG. 5 is a right side view thereof;  
FIG. 6 is a left side view thereof;  
FIG. 7 is a top view thereof; and,  
FIG. 8 is a bottom view thereof.

(52) **U.S. Cl.**  
USPC ..... **D7/397**

(58) **Field of Classification Search**  
USPC ..... D7/300, 302, 303, 305, 397, 399,  
D7/316–319, 321, 600, 602, 619.1, 392;  
D9/516, 523, 524, 527, 528; D23/212  
CPC ..... A47J 27/21058; A47J 31/40; A47J 31/41;  
A47G 19/12; A47G 19/14; A47G 19/145;  
B01D 35/02; B65D 47/06

See application file for complete search history.

**1 Claim, 5 Drawing Sheets**



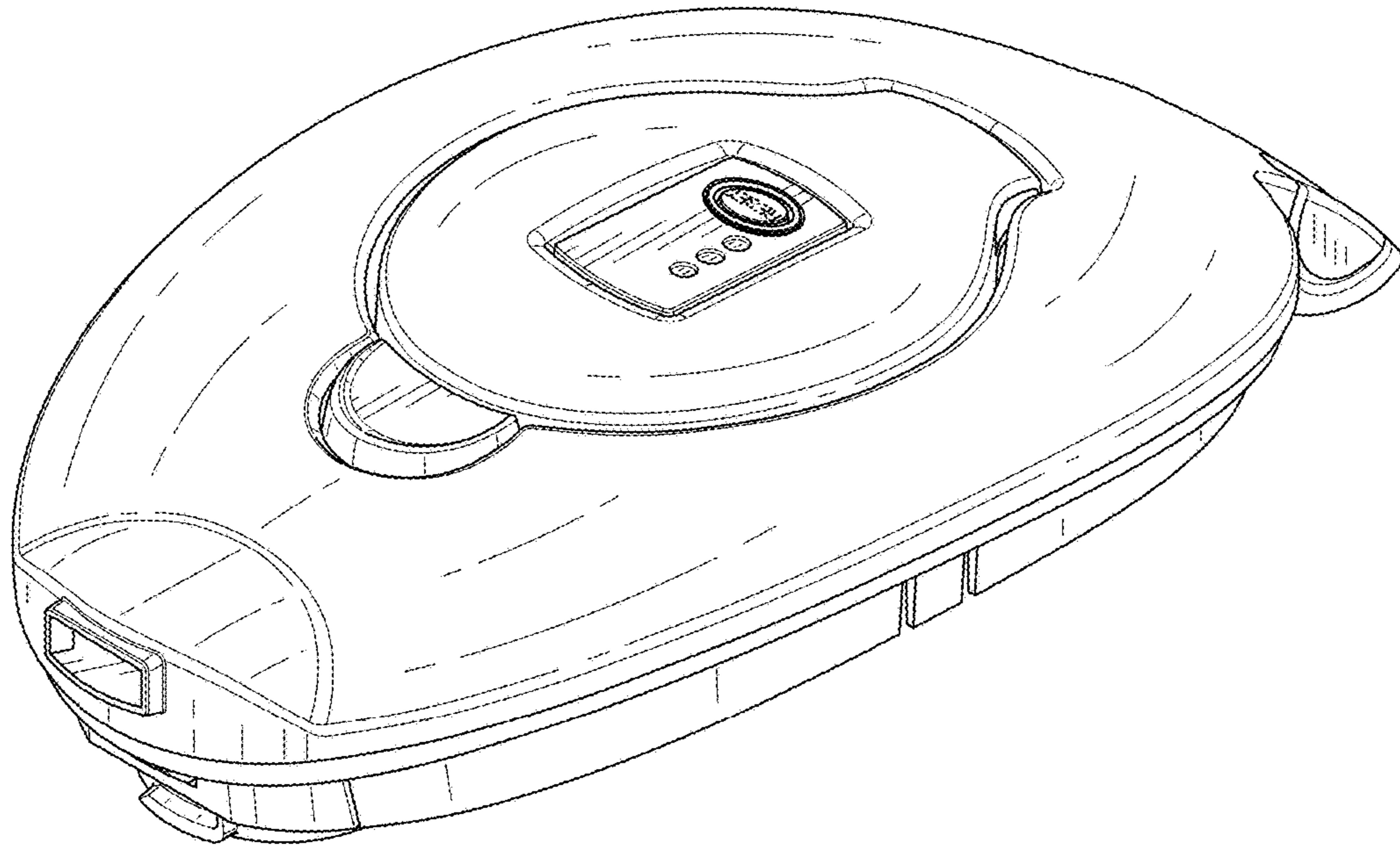


FIG. 1

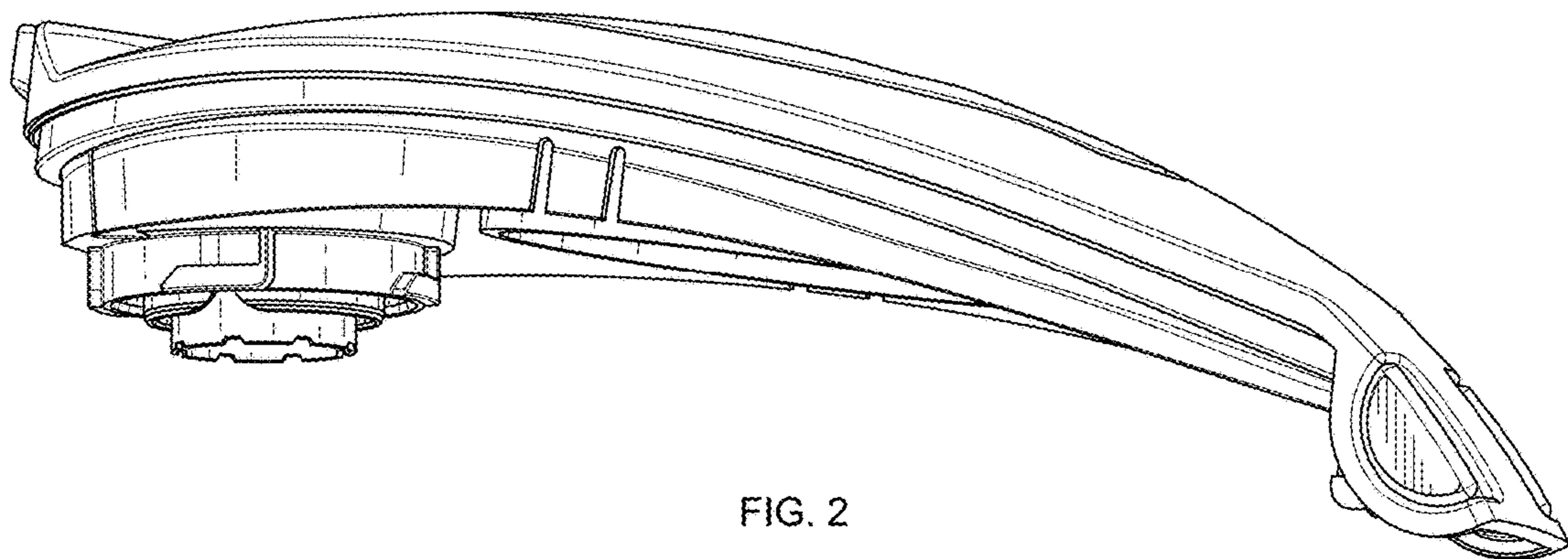


FIG. 2

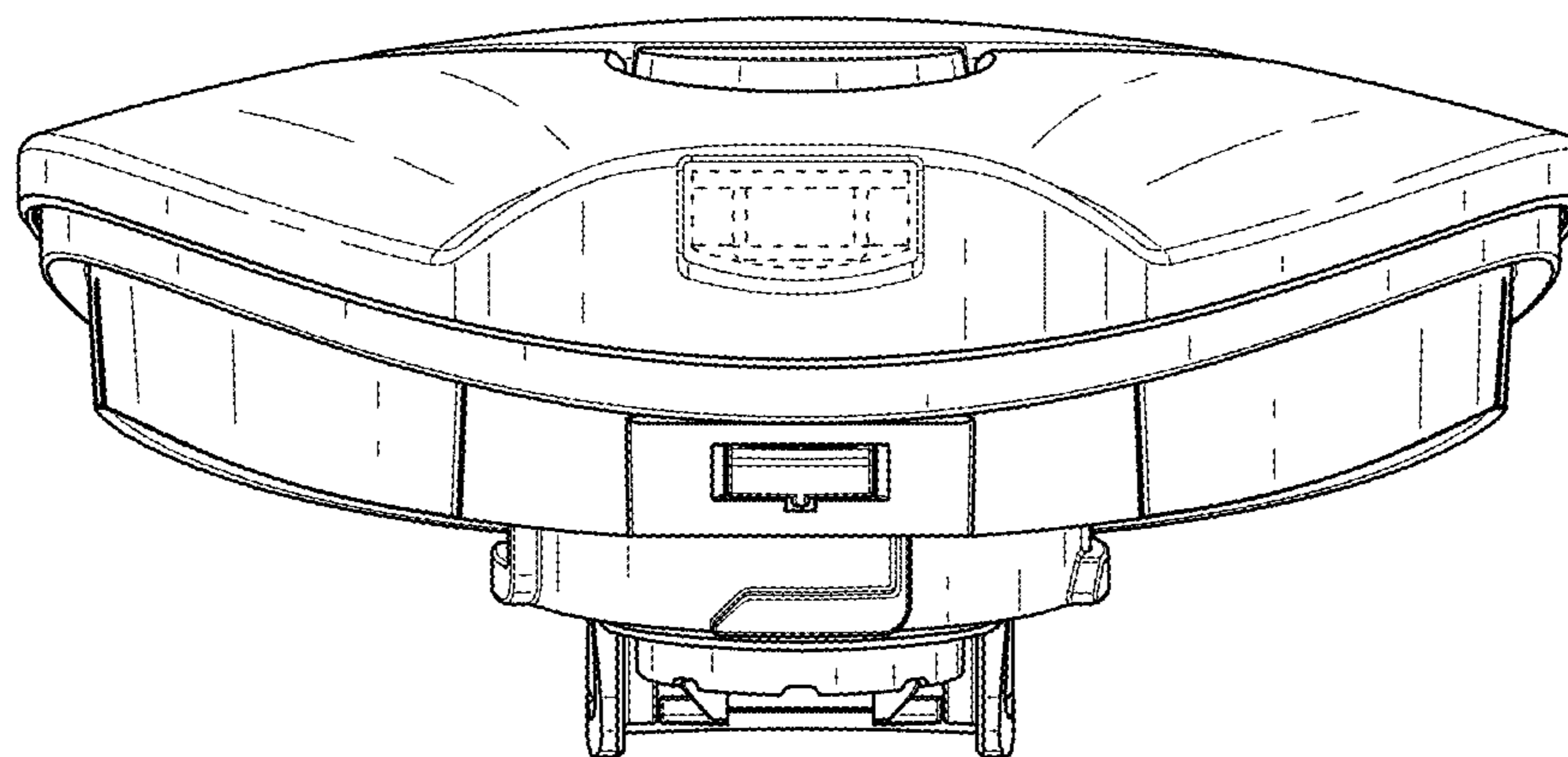


FIG. 3

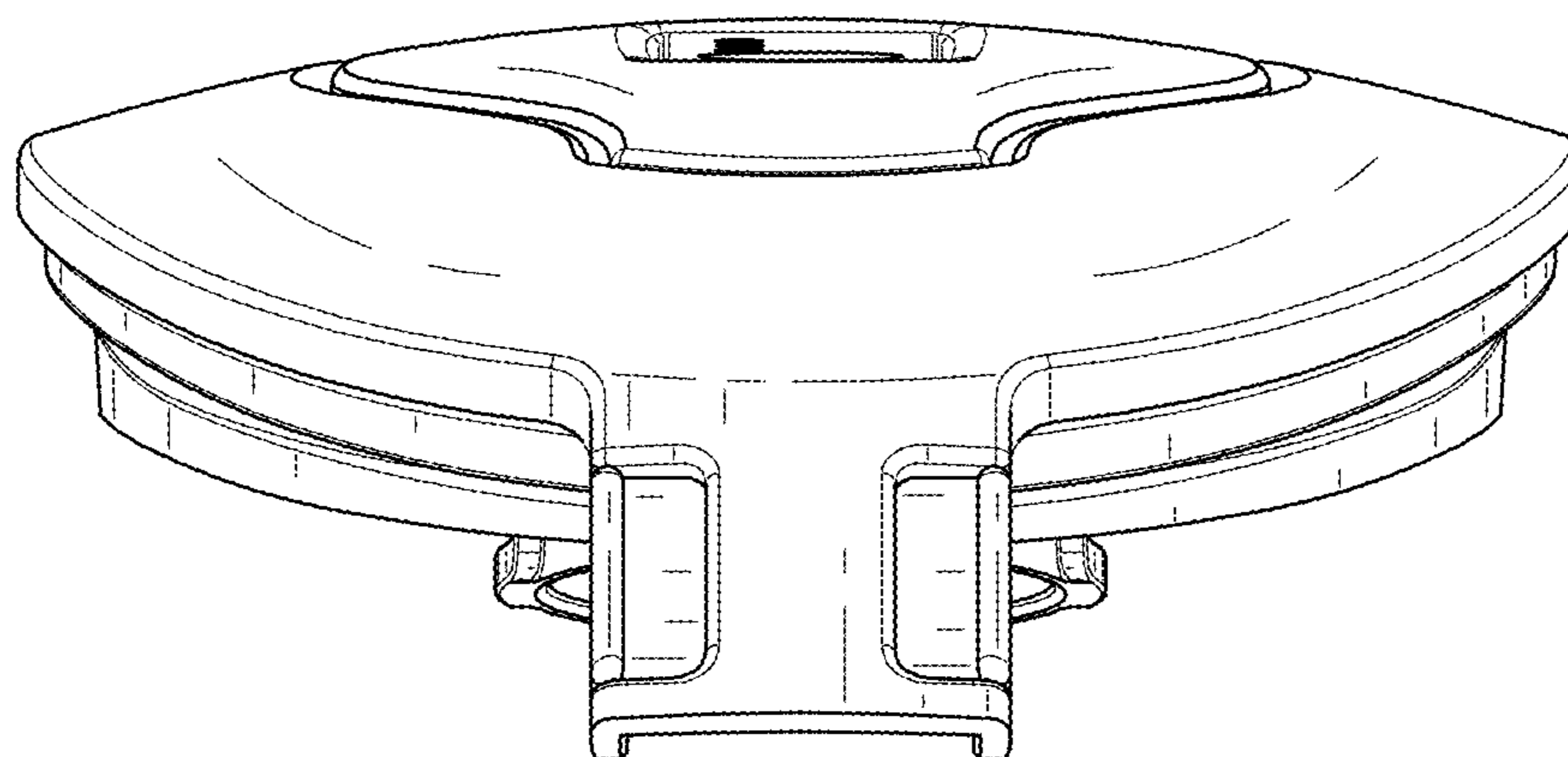


FIG. 4

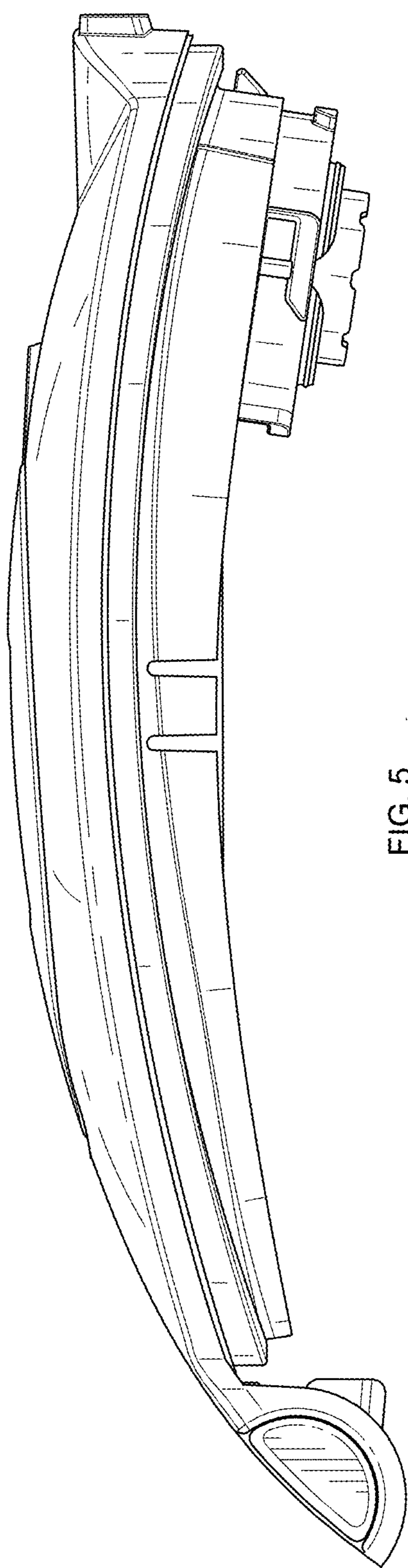


FIG. 5

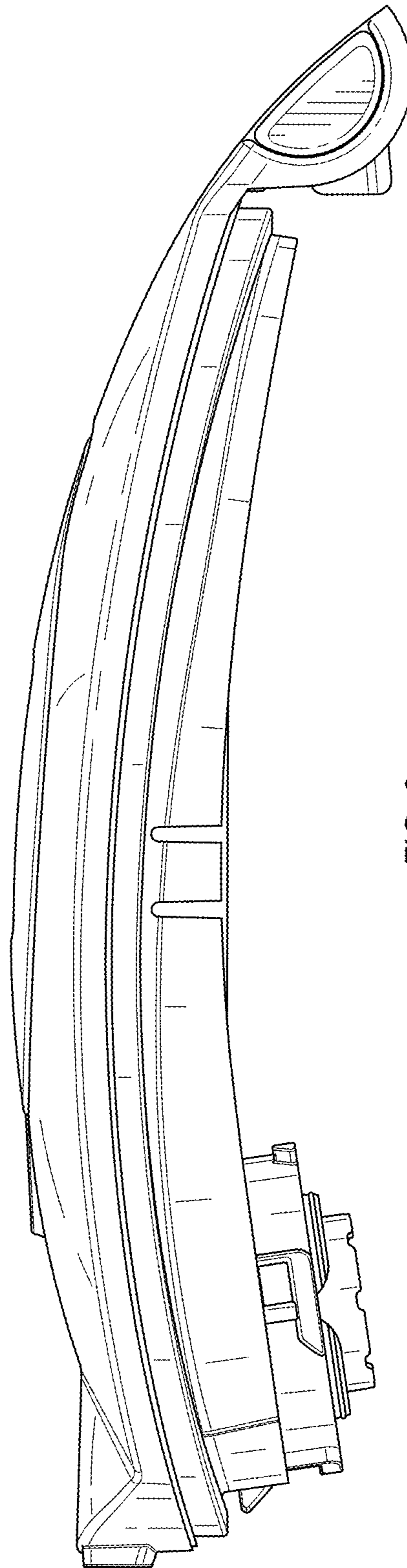


FIG. 6

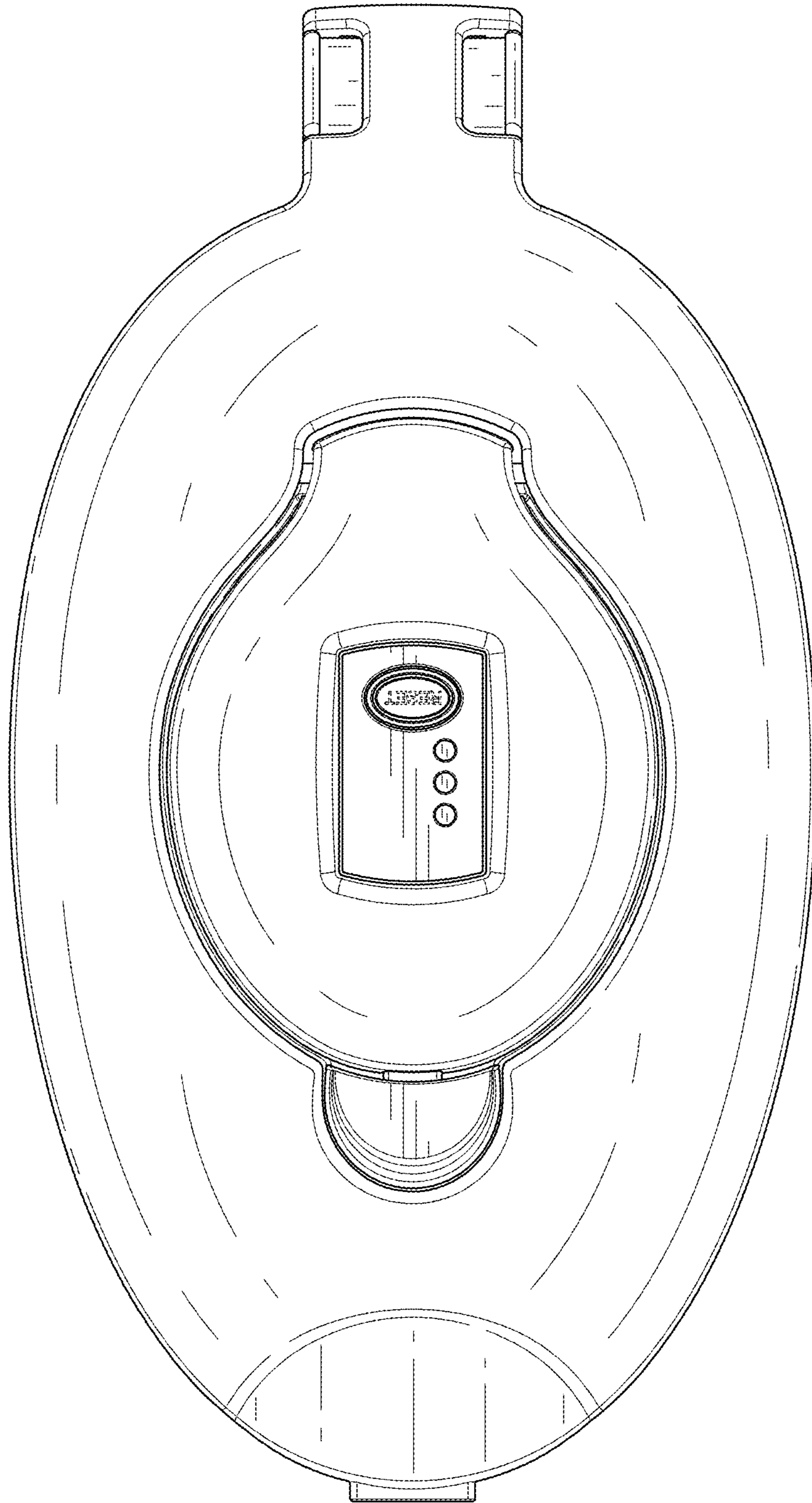


FIG. 7

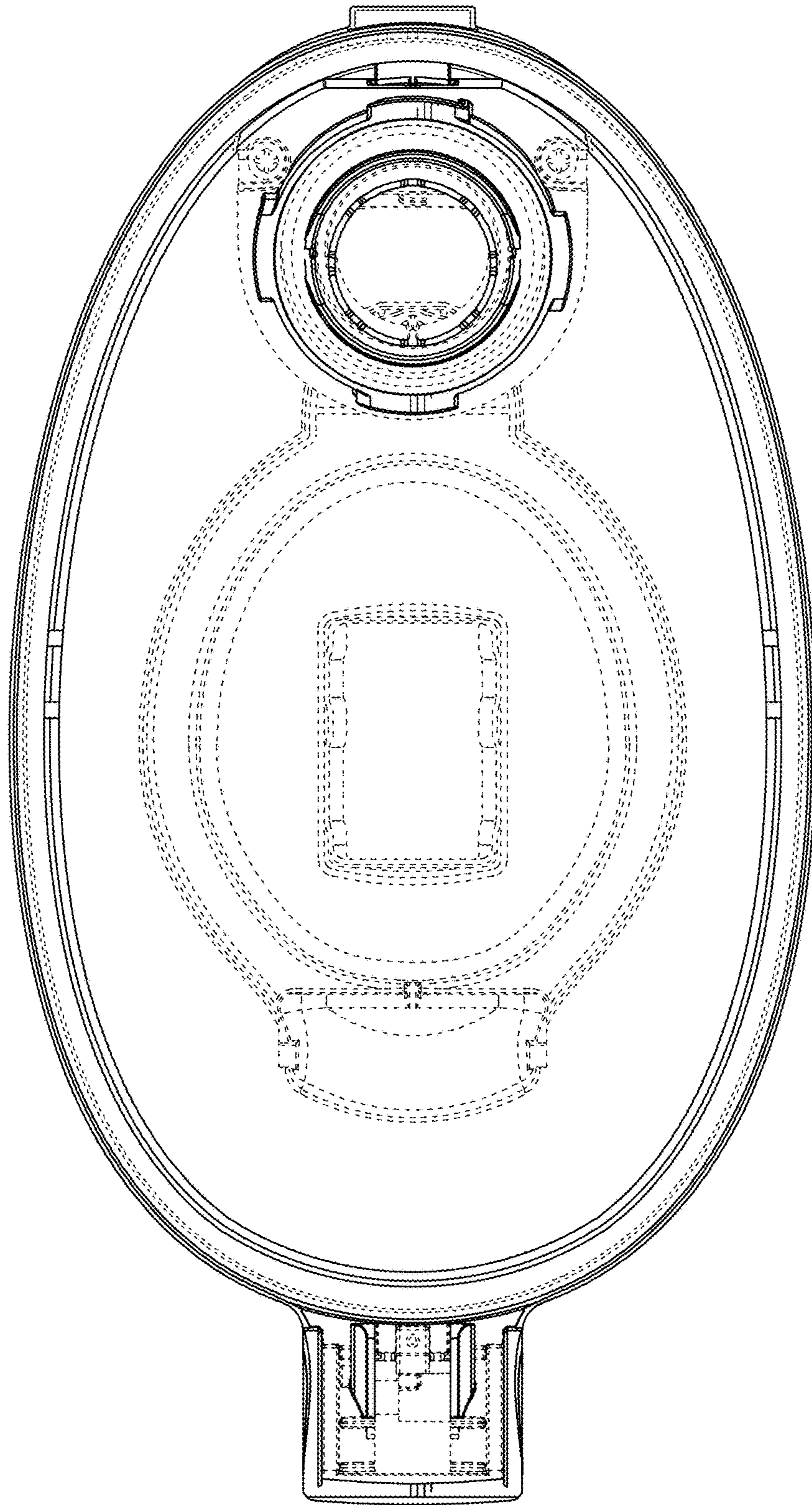


FIG. 8