



US00D850190S

(12) **United States Design Patent**
Evans et al.

(10) **Patent No.:** **US D850,190 S**
(45) **Date of Patent:** **** Jun. 4, 2019**

- (54) **SET OF STACKED UTENSILS**
- (71) Applicant: **JOSEPH JOSEPH, LTD.**, London (GB)
- (72) Inventors: **David Evans**, Cambridge (GB); **Ashley May**, Cambridge (GB)
- (73) Assignee: **JOSEPH JOSEPH, LTD.**, London (GB)
- (**) Term: **15 Years**
- (21) Appl. No.: **29/633,991**
- (22) Filed: **Jan. 17, 2018**

- (30) **Foreign Application Priority Data**
Jul. 17, 2017 (EM) 004107217-0016
- (51) **LOC (11) Cl.** **07-02**
- (52) **U.S. Cl.**
USPC **D7/395**; D7/645
- (58) **Field of Classification Search**
USPC D7/393-395, 376, 401.2, 643, 645, 664, D7/688, 691, 692; D8/107, 300, 303, D8/307, 313, 321; D4/138, 129
CPC A47J 43/28; A47J 43/288; G01F 19/00; G01F 19/002; A47G 21/06; Y10T 16/44
See application file for complete search history.

- (56) **References Cited**
U.S. PATENT DOCUMENTS
3,400,591 A * 9/1968 Larson G01F 19/002 30/324
4,317,284 A * 3/1982 Prindle A47G 21/06 30/147
4,524,512 A * 6/1985 Formo A47G 21/06 30/147
D318,600 S * 7/1991 Lillelund et al. D7/643

- D414,610 S * 10/1999 Davila D4/138
- D440,164 S * 4/2001 Kerr D10/46.3
- D443,836 S * 6/2001 Wright D10/46.3
- D509,708 S * 9/2005 Schmidt D7/645
- 7,013,568 B2 * 3/2006 Schmidt A47G 21/06 30/147
- D530,986 S * 10/2006 Lago-Arenas D7/645
- D536,222 S * 2/2007 Heiberg D7/645
- D625,153 S * 10/2010 Gallop D7/642
- 8,650,951 B2 * 2/2014 Kern G01F 19/002 73/426
- 8,726,525 B2 * 5/2014 Bagley B26B 21/52 30/279.2
- D716,108 S * 10/2014 Hoyord D7/669
- D722,837 S * 2/2015 Miksovsky D7/643
- D747,159 S * 1/2016 Frost D7/643
- D754,517 S * 4/2016 Henderson D8/107
- D756,171 S * 5/2016 Mou D7/653

(Continued)

Primary Examiner — Cynthia M. Chin
(74) *Attorney, Agent, or Firm* — Millen, White, Zelano & Branigan, PC

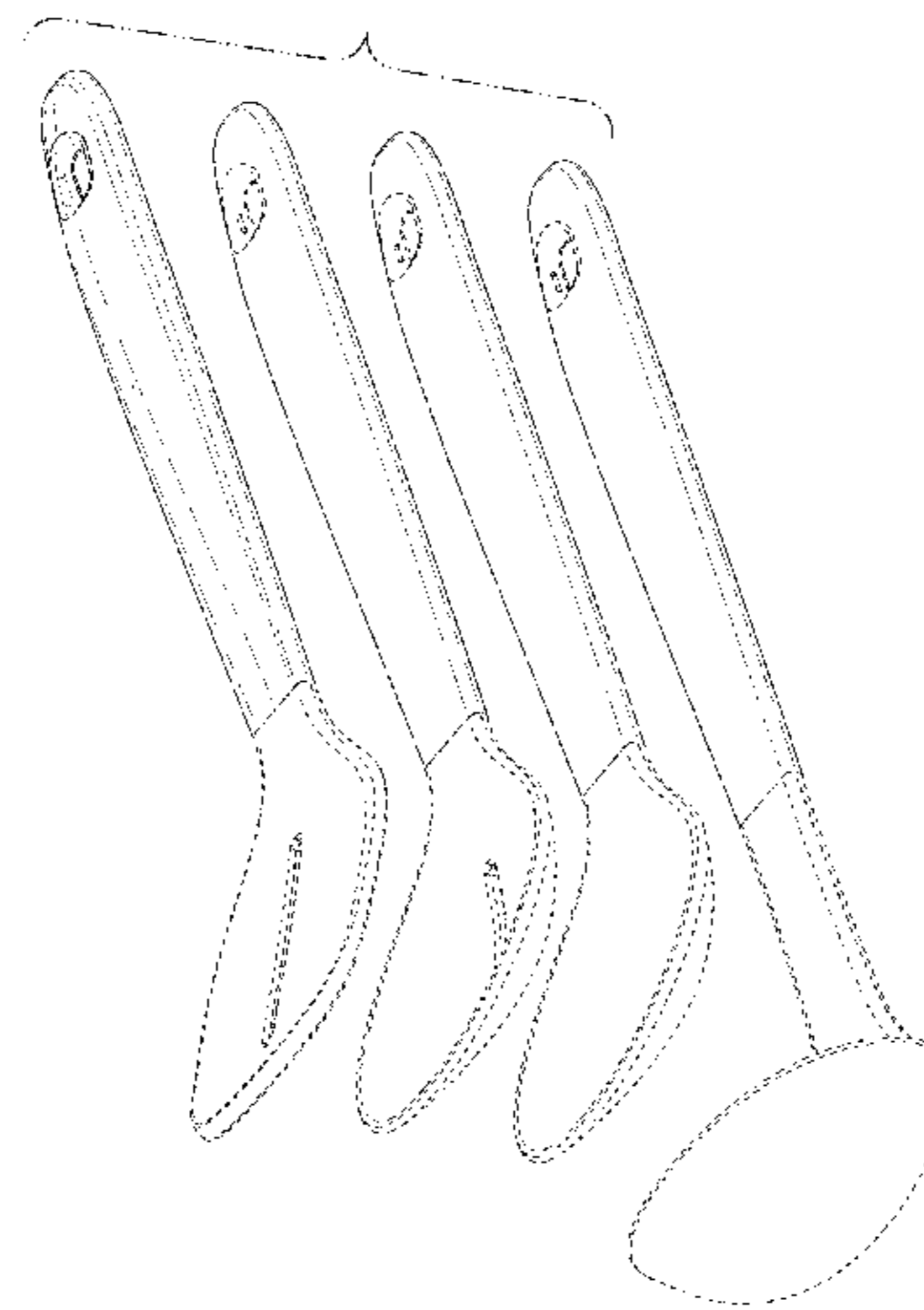
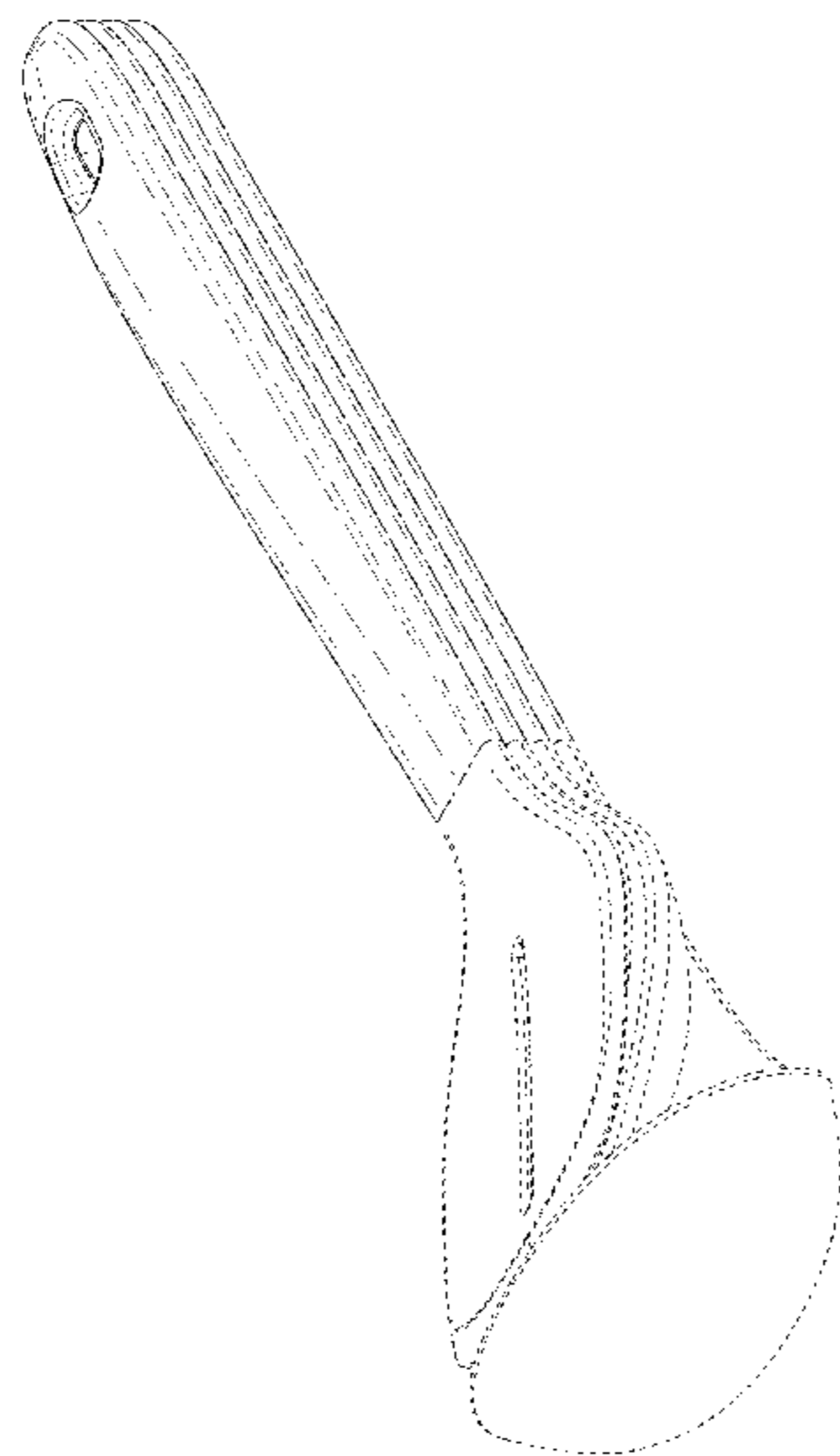
(57) **CLAIM**

The ornamental design for a set of stacked utensils, as shown and described.

DESCRIPTION

FIG. 1 is a perspective view of the set of stacked utensils showing my new design.
FIG. 2 is a front view thereof.
FIG. 3 is a back view thereof.
FIG. 4 is a side view thereof.
FIG. 5 is another side view thereof.
FIG. 6 is top view thereof.
FIG. 7 is bottom view thereof; and,
FIG. 8 is an exploded perspective view thereof.
The broken lines in the drawings illustrate portions of the set of stacked utensils which form no part of the claimed design.

1 Claim, 8 Drawing Sheets



(56)

References Cited

U.S. PATENT DOCUMENTS

D756,172 S * 5/2016 Mou D7/653
2014/0026425 A1* 1/2014 Kim A47G 21/06
30/147

* cited by examiner

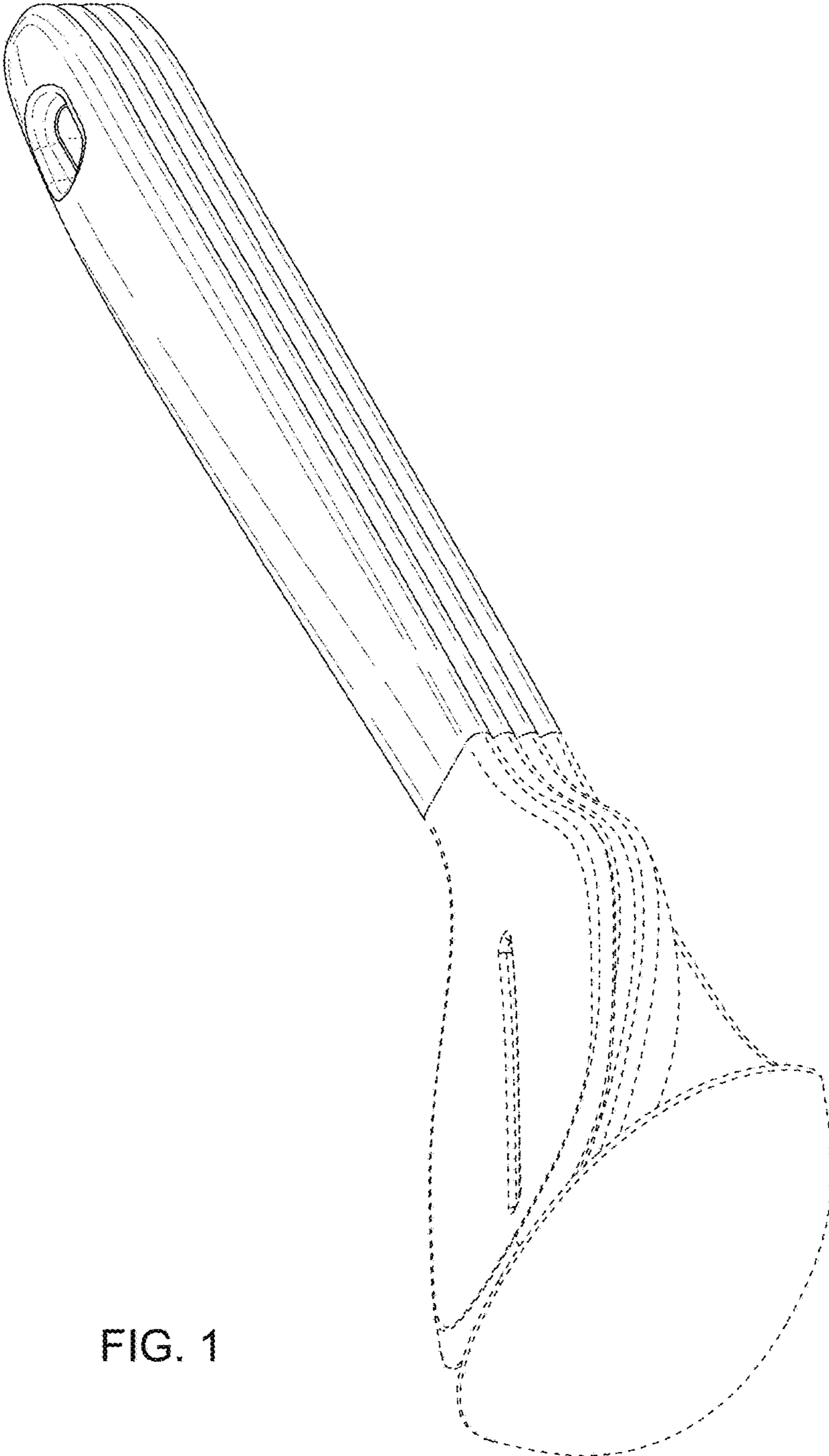


FIG. 1

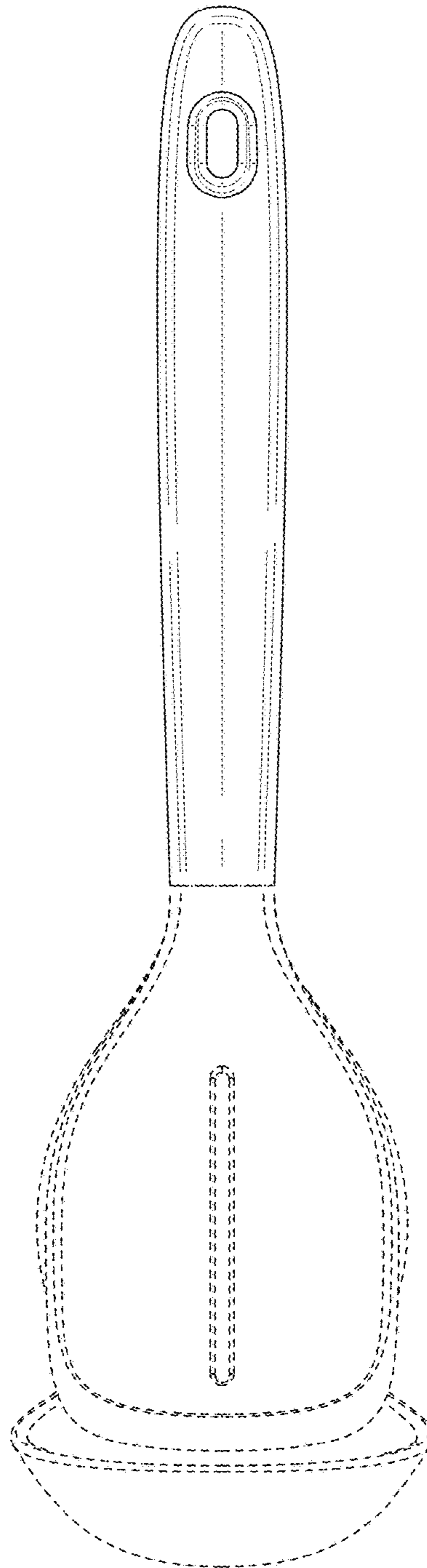


FIG. 2

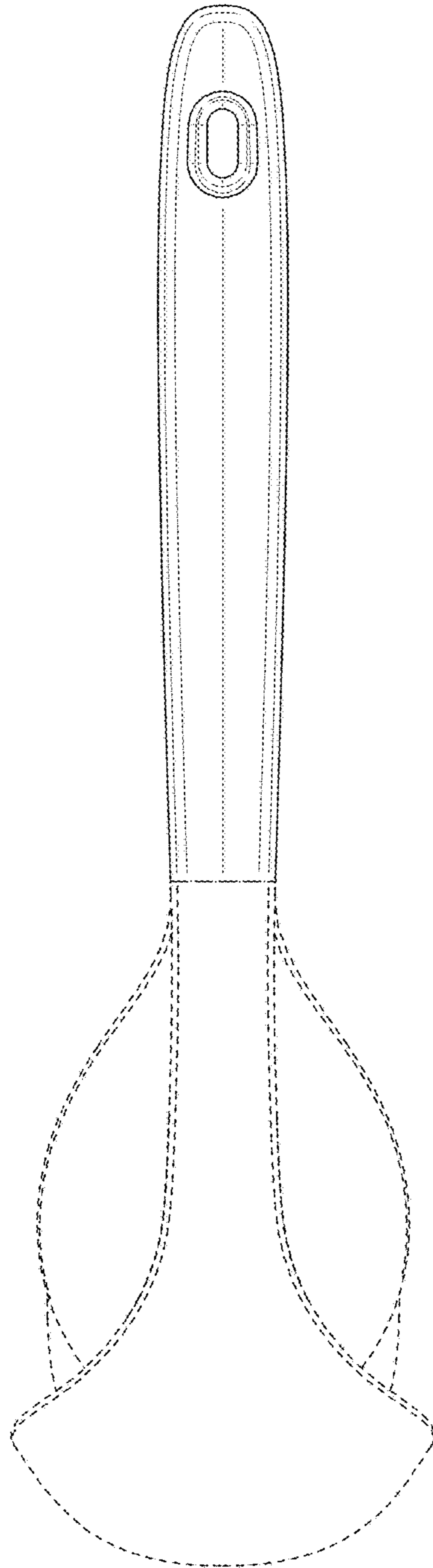


FIG. 3

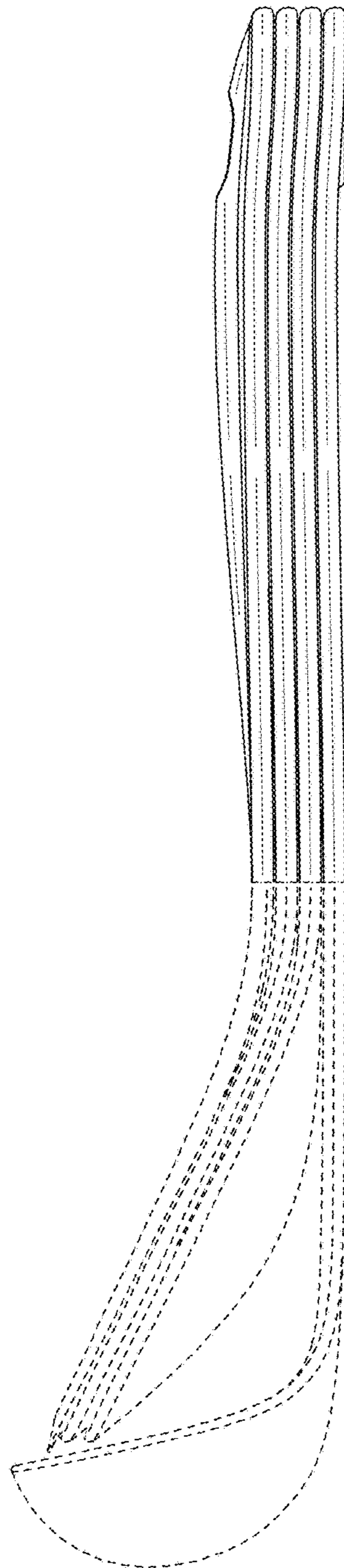


FIG. 4

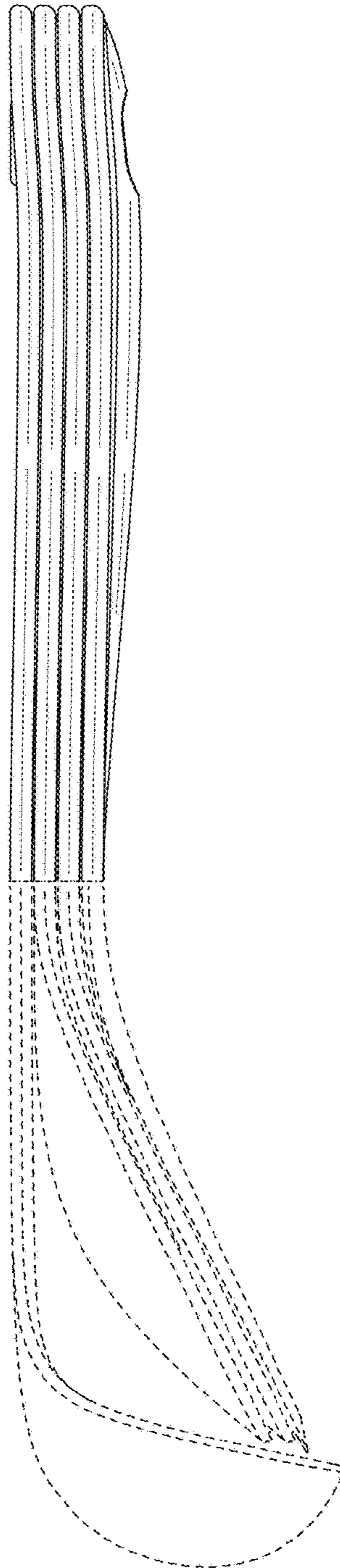


FIG. 5

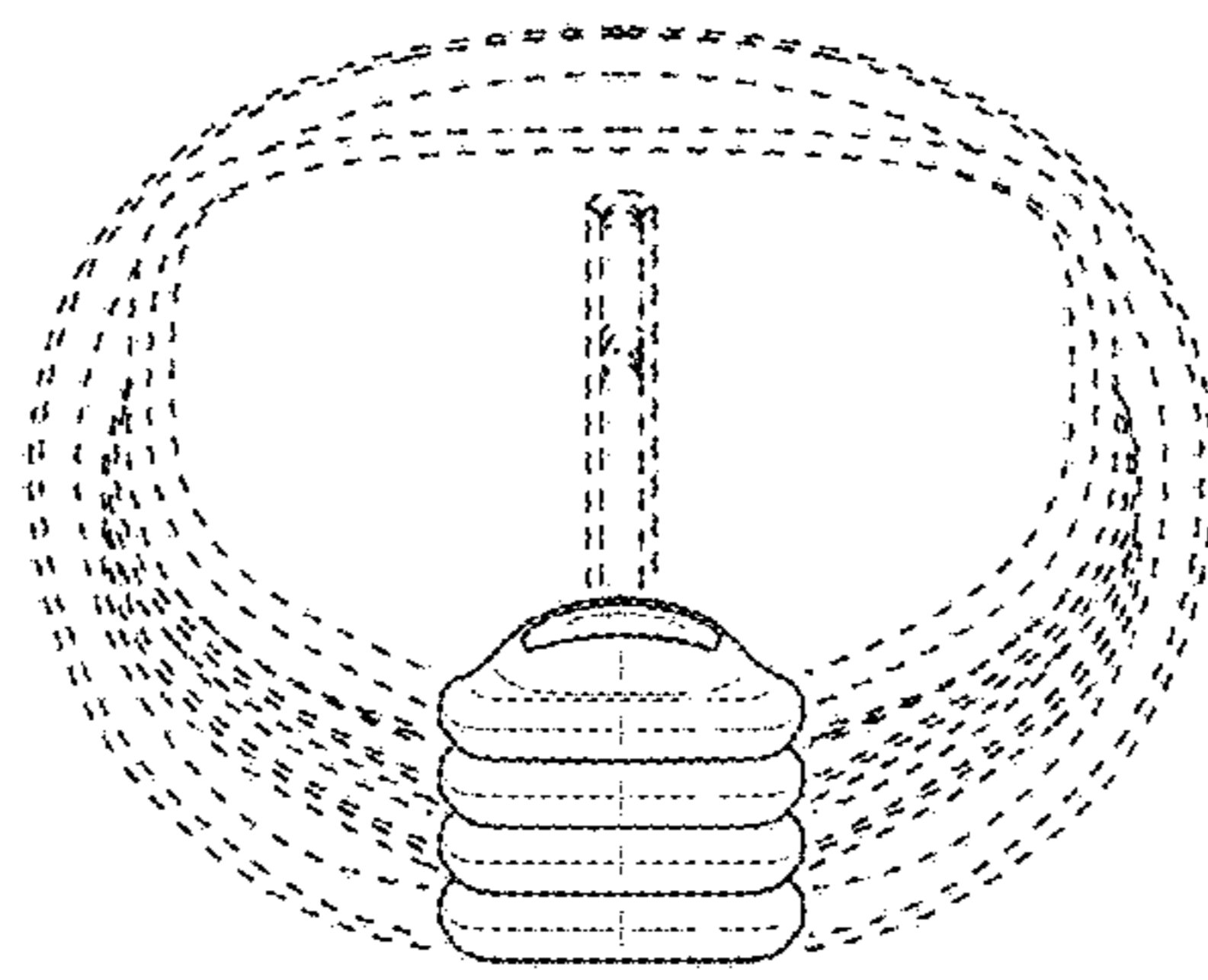


FIG. 6

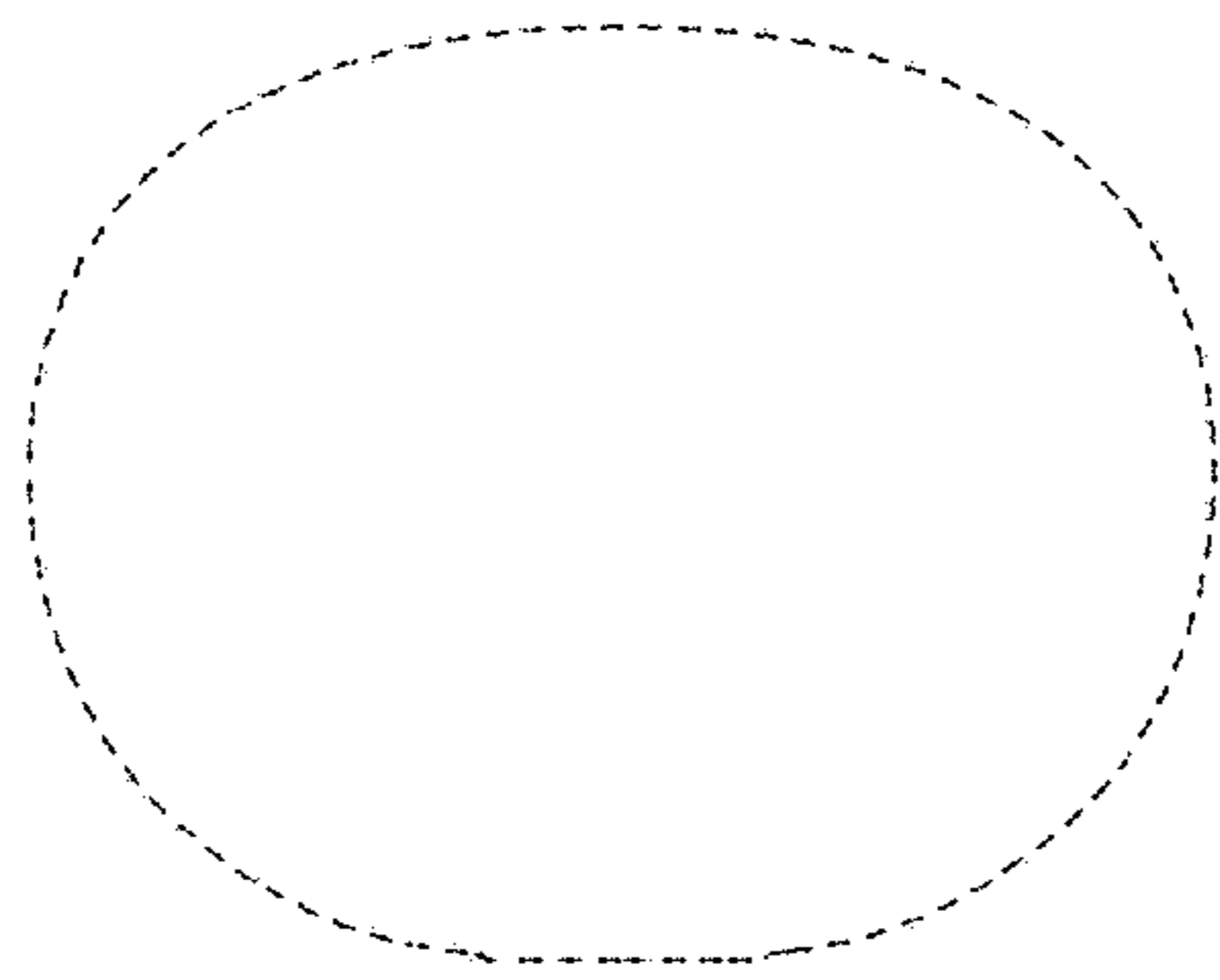


FIG. 7

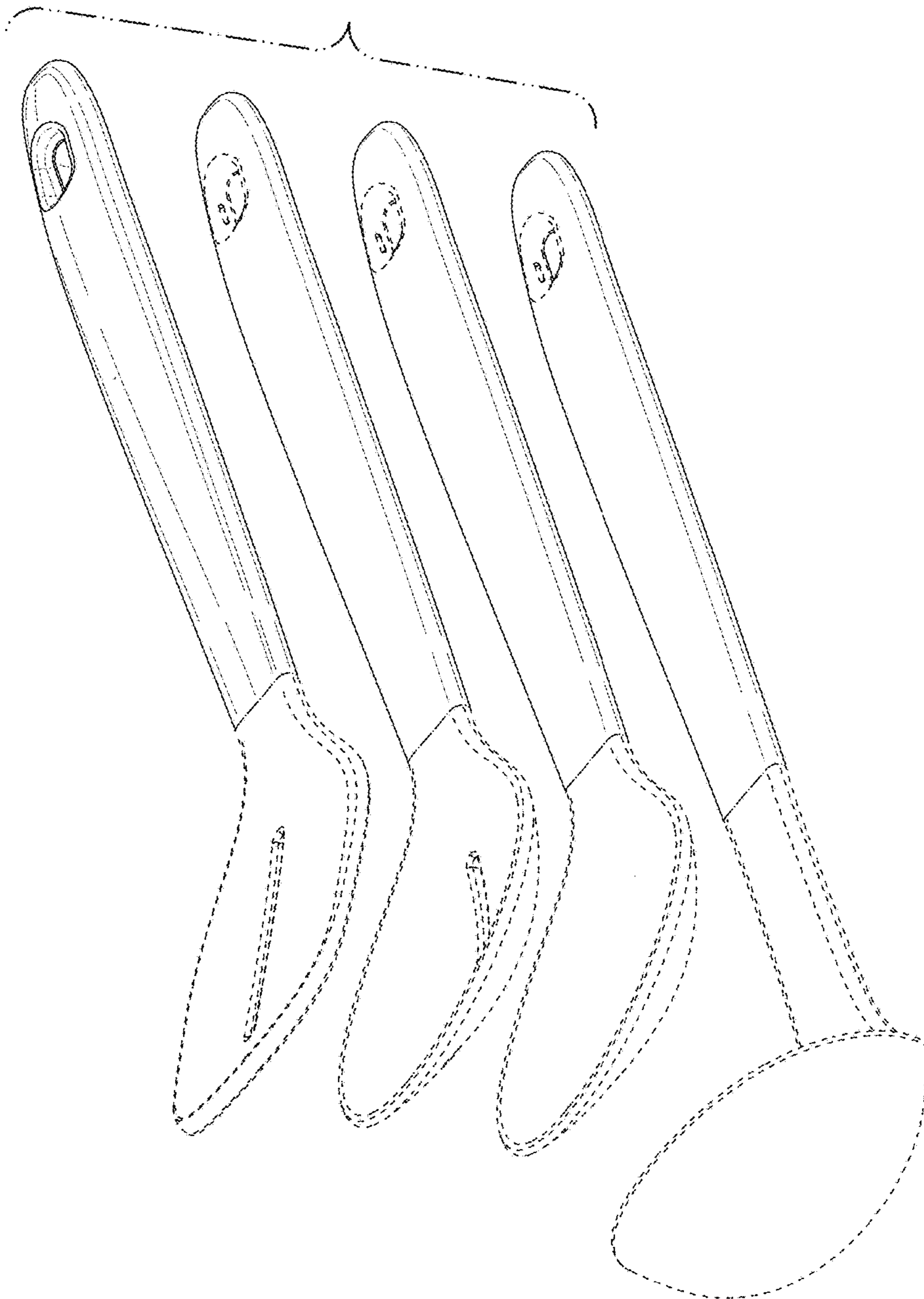


FIG. 8