

US00D850189S

(12) **United States Design Patent**
Burton

(10) **Patent No.:** **US D850,189 S**

(45) **Date of Patent:** **** Jun. 4, 2019**

(54) **SHAKER LID**

(71) Applicant: **Donna E. Burton**, Belmar, NJ (US)

(72) Inventor: **Donna E. Burton**, Belmar, NJ (US)

(**) Term: **15 Years**

(21) Appl. No.: **29/634,108**

(22) Filed: **Jan. 18, 2018**

(51) **LOC (11) Cl.** **07-99**

(52) **U.S. Cl.**
USPC **D7/392; D7/392.1; D9/449**

(58) **Field of Classification Search**
USPC D7/300, 300.1, 391, 392, 392.1, 598,
D7/591, 597, 900; D9/435, 446, 447,
D9/449

CPC A23L 2/00; B01F 13/00
See application file for complete search history.

(56) **References Cited**

U.S. PATENT DOCUMENTS

- 1,201,284 A * 10/1916 Gilchrist A47J 43/27
220/568
- 1,568,691 A * 1/1926 Pierson A47J 19/022
99/508
- 1,744,328 A * 1/1930 Morley A47J 43/27
215/383
- D96,965 S * 9/1935 Fuerst D7/300.1
- D96,966 S * 9/1935 Fuerst D7/300.1
- 2,090,320 A * 8/1937 Amick A47J 43/27
215/12.1
- 3,429,369 A * 2/1969 Segal A47G 19/26
126/261
- D297,298 S * 8/1988 Sarnoff D7/391
- D477,178 S * 7/2003 Cornfield D7/391
- D480,599 S * 10/2003 Linz D7/392
- D483,982 S * 12/2003 Irvine D7/300.1
- D503,886 S * 4/2005 Biesecker D7/391
- D505,294 S * 5/2005 Gauss D7/392.1
- D528,910 S * 9/2006 Kingsley D7/392.1
- D571,151 S * 6/2008 Lopez D7/300.1

- D575,580 S * 8/2008 Germany D7/392.1
- D653,076 S * 1/2012 Melzer D7/391
- D657,994 S * 4/2012 Wahl D7/392
- D672,241 S * 12/2012 Sawicki D9/449
- D710,696 S * 8/2014 Kwon D7/392.1
- D755,632 S * 5/2016 Jelich D9/449
- D758,189 S * 6/2016 Roth D7/392.1

(Continued)

OTHER PUBLICATIONS

SIC website, 30oz SIC Shaker Lid, Publication date unknown, [site visited Feb. 25, 2019], Available on the Internet URL <https://www.siccups.com/products/30oz-sic-shaker-lid>.*

(Continued)

Primary Examiner — Karen S Acker

Assistant Examiner — Steven B Reinholdt, Jr.

(74) *Attorney, Agent, or Firm* — Stuart M. Goldstein

(57) **CLAIM**

The ornamental design for a shaker lid, as shown and described.

DESCRIPTION

FIG. 1 is a top perspective view of a shaker lid showing my new design.

FIG. 2 is an elevation view thereof.

FIG. 3 is a top view thereof.

FIG. 4 is a bottom view thereof.

FIG. 5 is a top perspective view of the shaker lid of FIG. 1, with the cap removed.

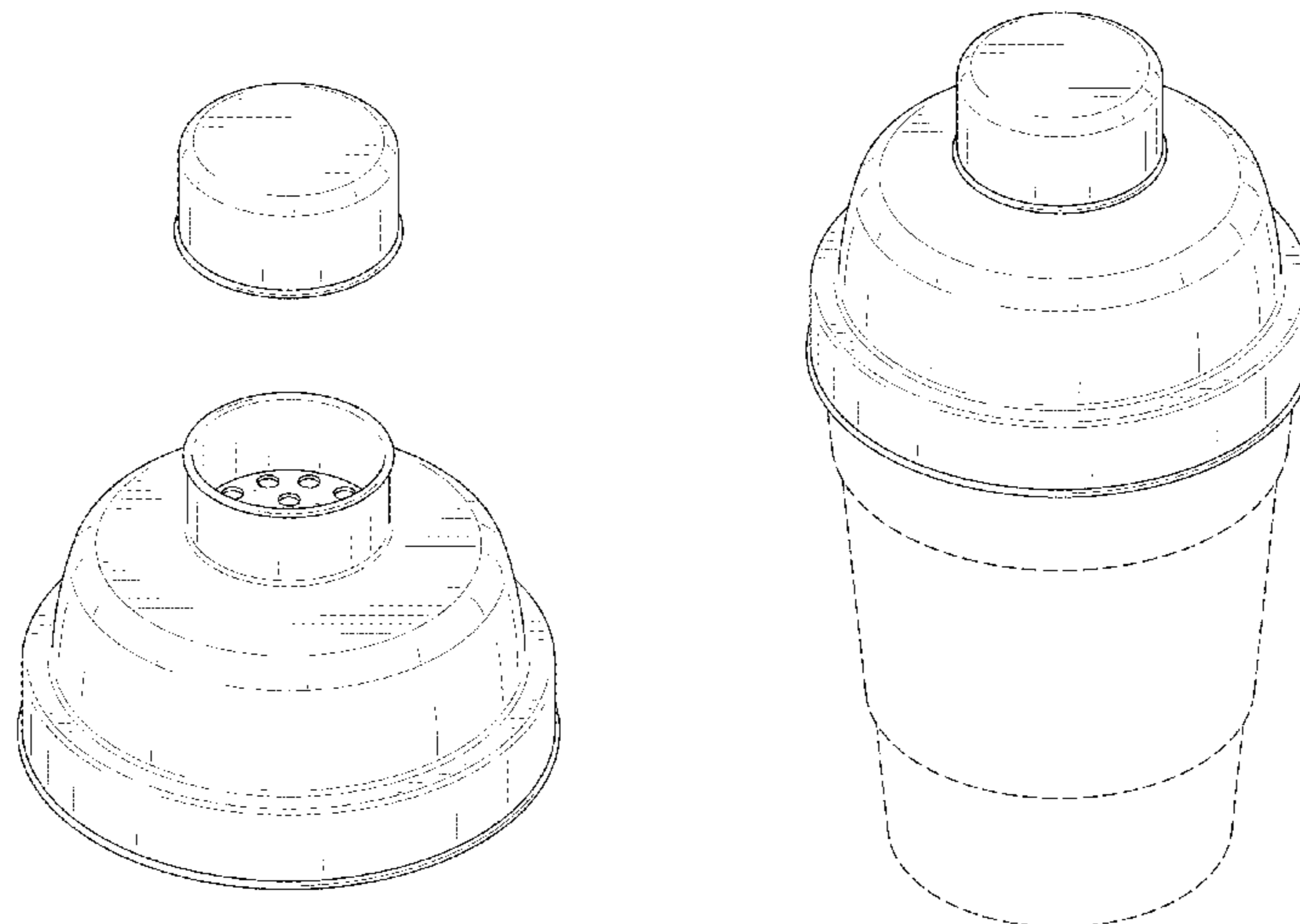
FIG. 6 is a bottom perspective view thereof.

FIG. 7 is a bottom view thereof; and,

FIG. 8 is a top perspective view of the shaker lid of FIG. 1 in a use configuration.

The broken lines showing a drinking cup are included for the purpose of illustrating environment that forms no part of the claimed design.

1 Claim, 7 Drawing Sheets



(56)

References Cited

U.S. PATENT DOCUMENTS

D758,800 S * 6/2016 Hayslett D7/300.1
D813,668 S * 3/2018 Miller D9/446
D825,242 S * 8/2018 Bosheng D7/300.1
D836,973 S * 1/2019 Masifilo D7/392
D839,741 S * 2/2019 Hawry D9/504
2004/0066705 A1* 4/2004 Linz A47J 43/27
366/130
2012/0147693 A1* 6/2012 Bahlenhorst A47J 43/25
366/130
2017/0354298 A1* 12/2017 Rizzuto A23L 3/364

OTHER PUBLICATIONS

2bModern, Art Deco Red Handblown Glass Cocktail, Publication date unknown, [site visited Feb. 25, 2019], Available on the Internet URL <https://www.2bmodern.com/products/art-deco-dark-red-handblown-glass-cocktail-shaker-vintage?variant=34652626954>.*

* cited by examiner

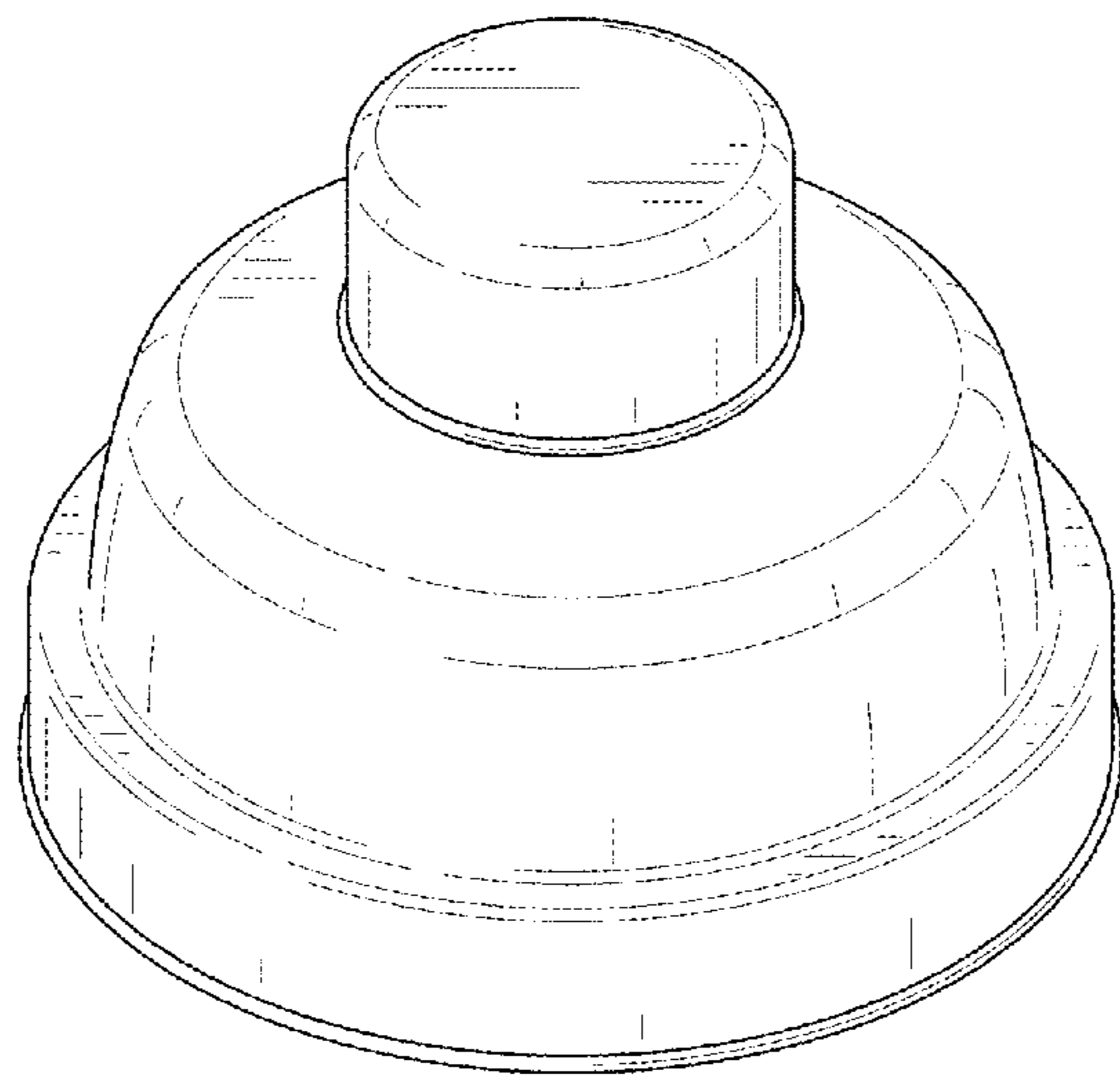


FIG. 1

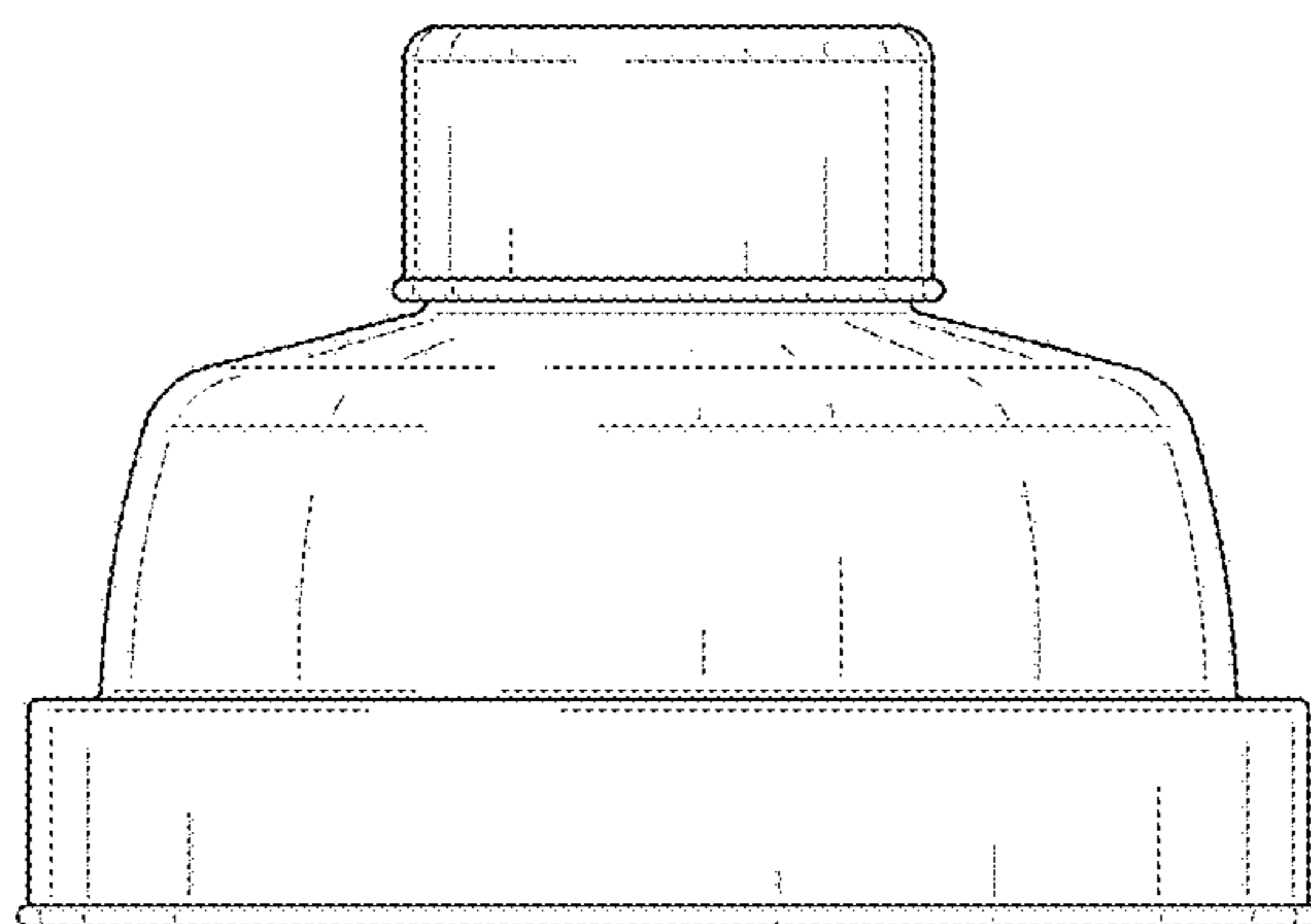


FIG. 2

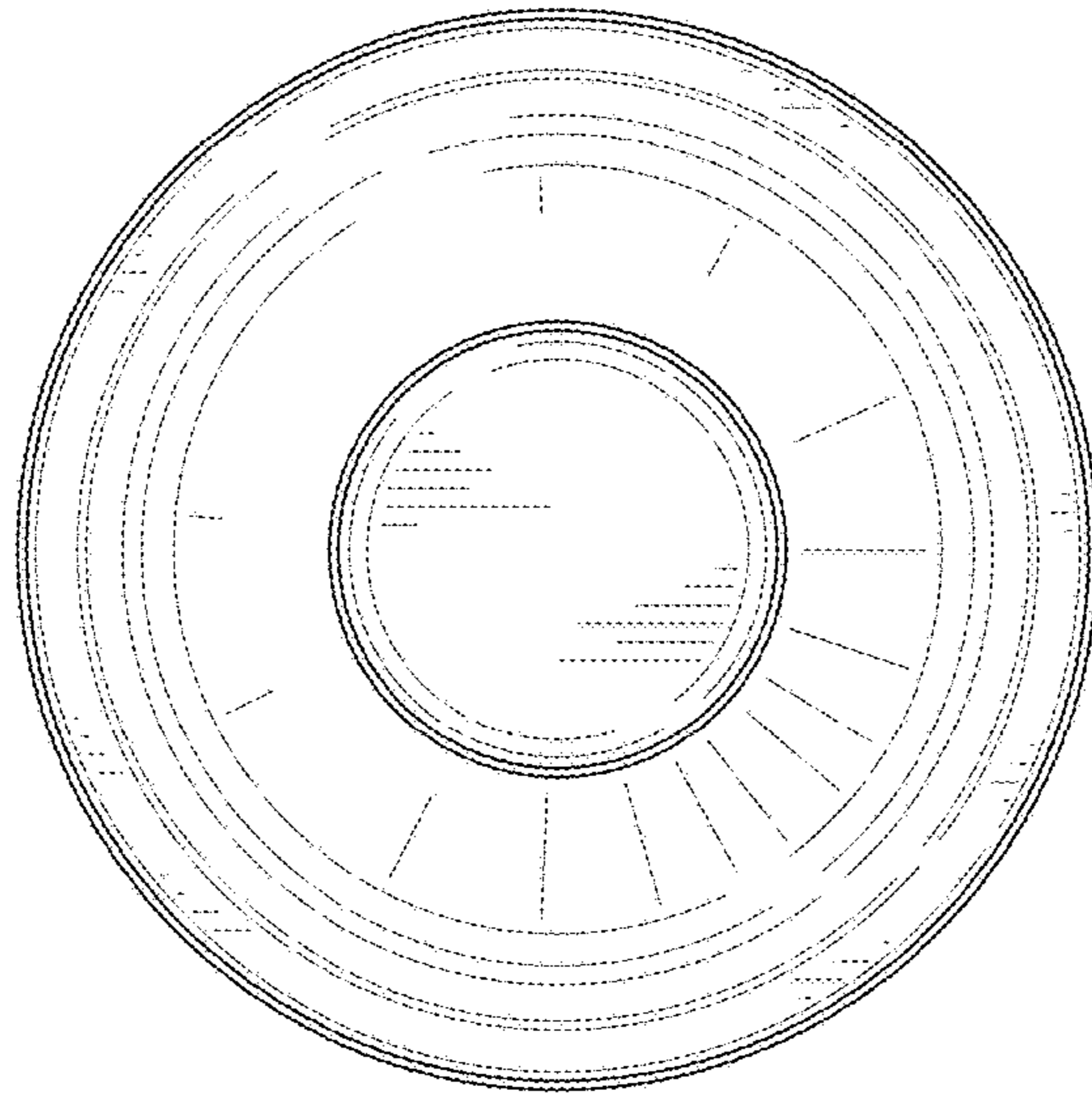


FIG. 3

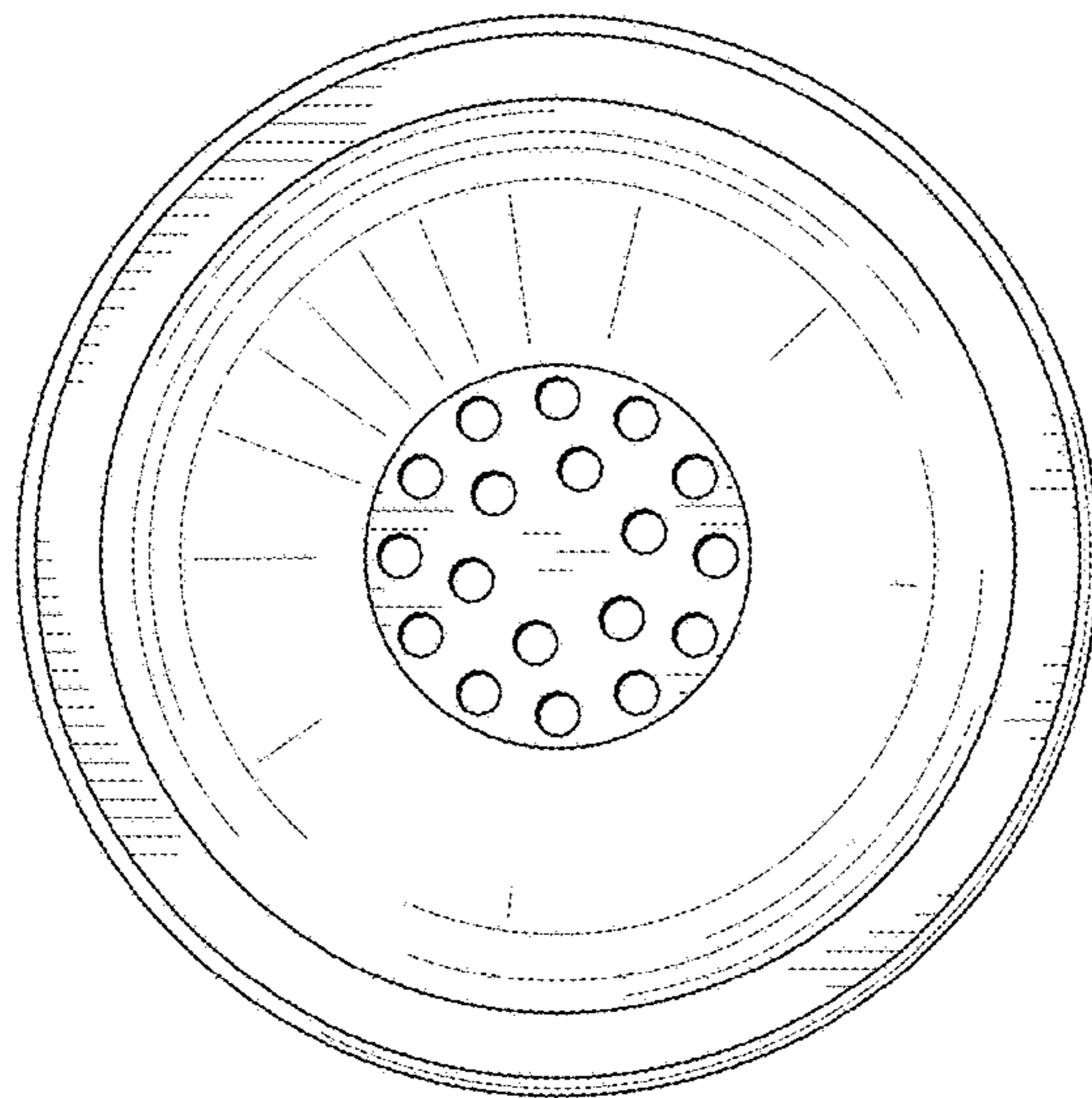


FIG. 4

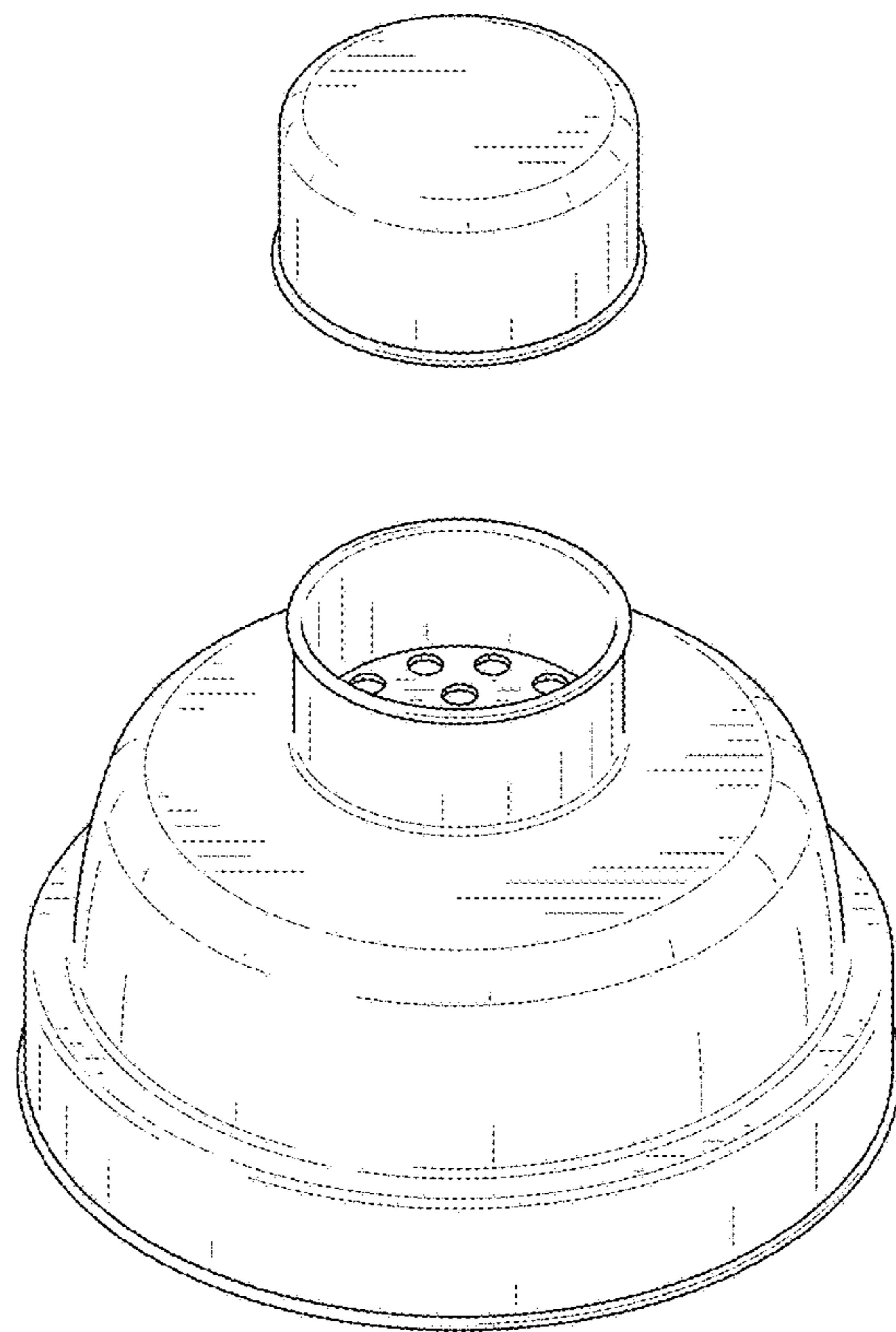


FIG. 5

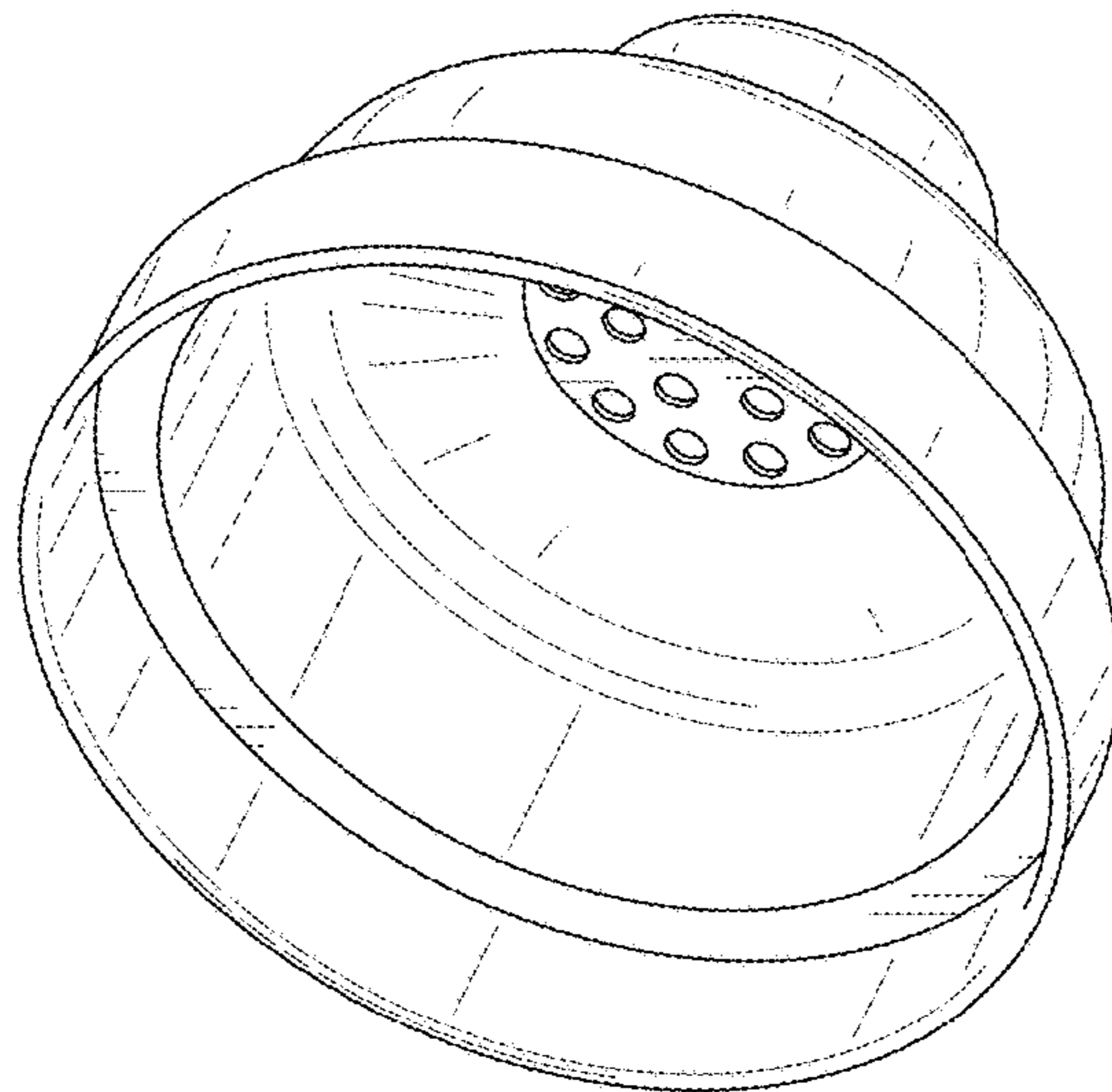


FIG. 6

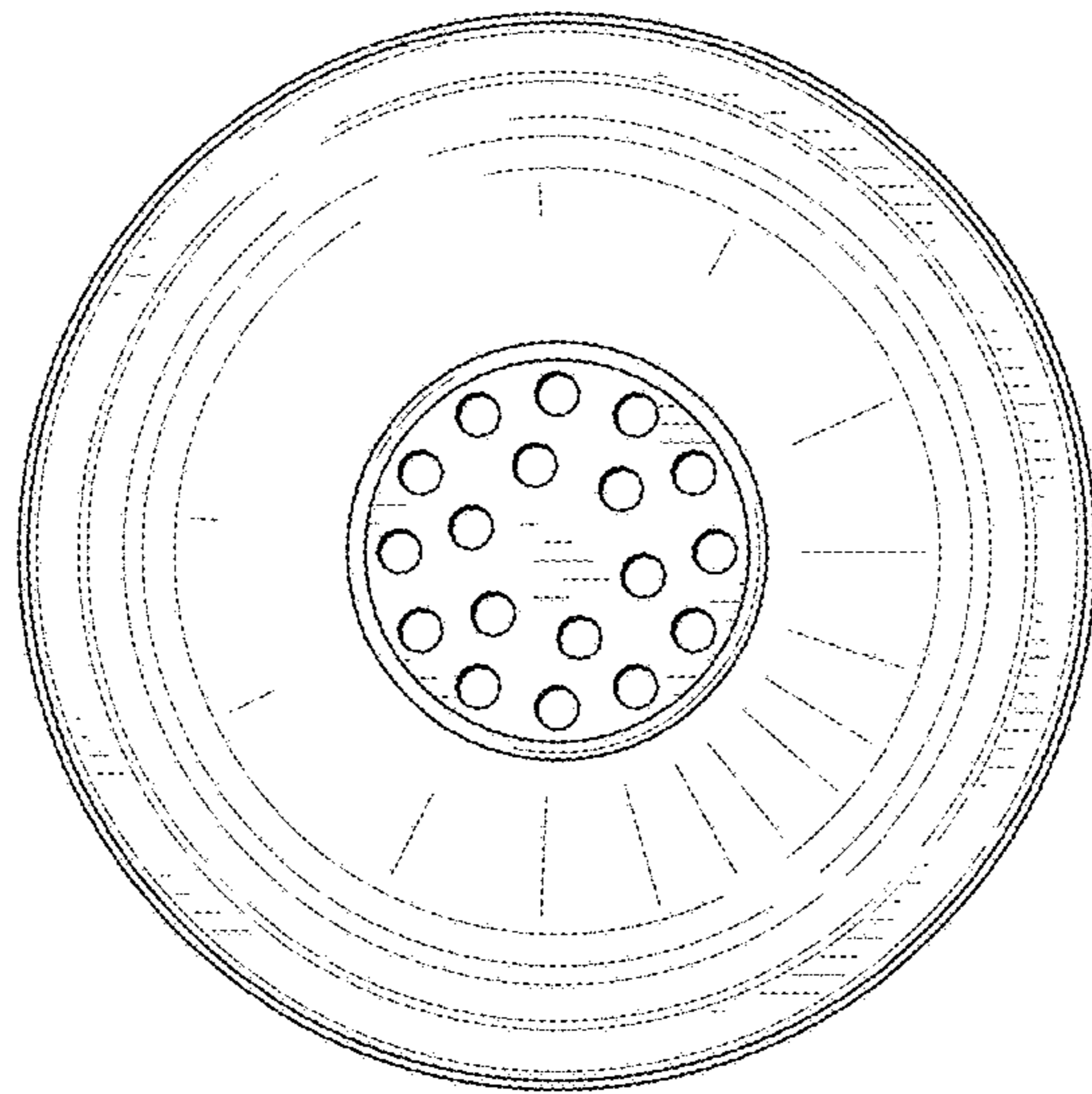


FIG. 7

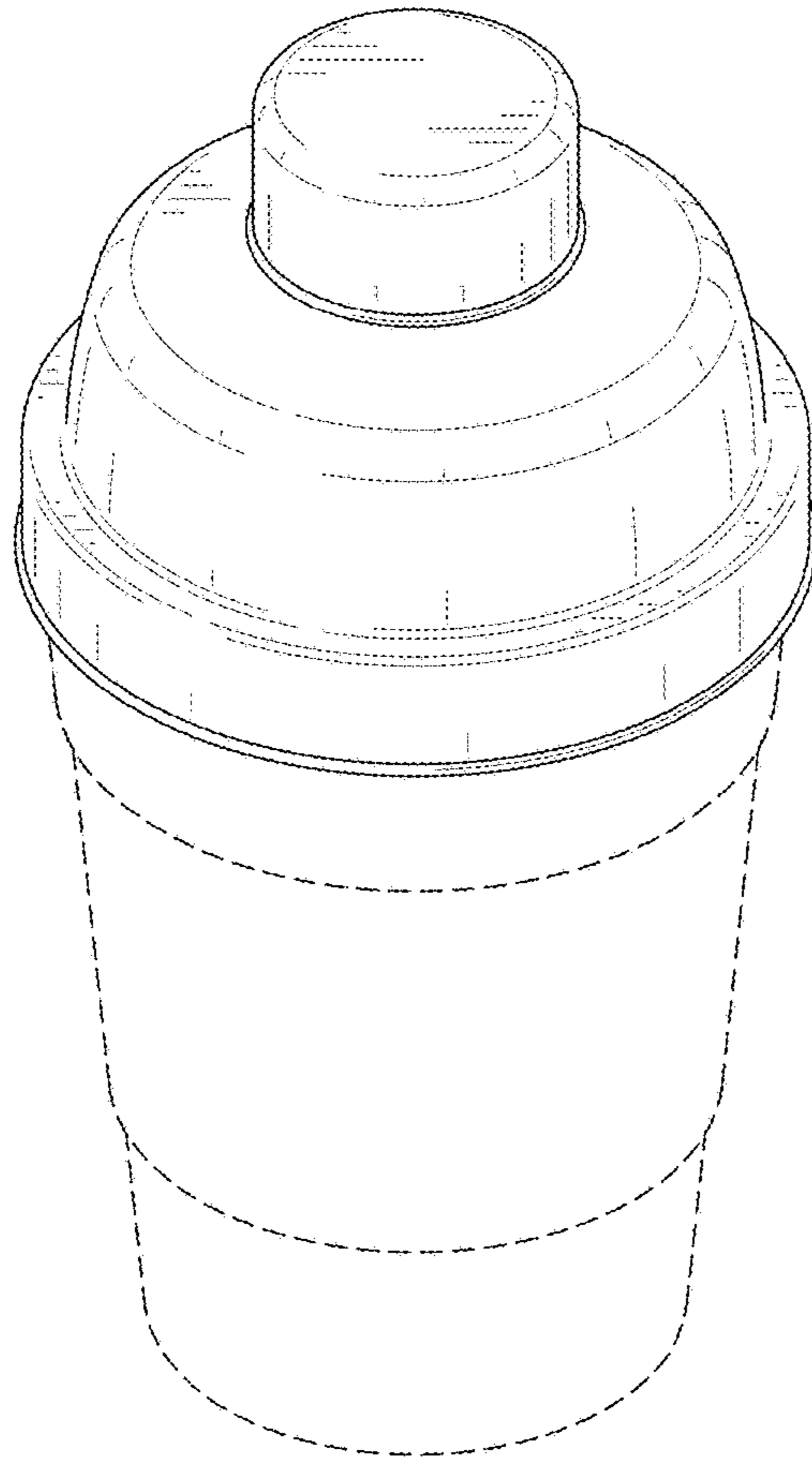


FIG. 8