



US00D850187S

(12) **United States Design Patent** (10) **Patent No.:** **US D850,187 S**  
**Pentelovitch et al.** (45) **Date of Patent:** **\*\* \*Jun. 4, 2019**

(54) **CONTAINER LID**

(71) Applicant: **Helen of Troy Limited**, Belleville, St. Michael (BB)

(72) Inventors: **Noah Ziman Pentelovitch**, New York, NY (US); **Conor Patrick McNamara**, Montclair, NJ (US); **Makiko Kida**, Chiba (JP); **Tamotsu Matsumoto**, Chiba (JP); **Nobuyuki Ogasawara**, Chiba (JP); **Yoshinori Nagata**, Chiba (JP)

(73) Assignee: **Helen of Troy Limited**, St. Michael (BB)

(\*) Notice: This patent is subject to a terminal disclaimer.

(\*\*) Term: **15 Years**

(21) Appl. No.: **29/631,351**

(22) Filed: **Dec. 29, 2017**

(51) **LOC (11) Cl.** ..... **07-02**

(52) **U.S. Cl.**  
USPC ..... **D7/391**

(58) **Field of Classification Search**  
USPC ..... D7/391, 392, 392.1, 393, 397, 601–602, D7/615, 629–630, 538–542; D9/414, D9/424–432, 435, 439, 451–452; D26/85  
CPC ..... A47J 36/027; A47J 36/06; A47J 37/10; A47J 37/101; B65D 21/0209; B65D 21/0219; B65D 43/00; B65D 43/02; B65D 43/0206; B65D 43/022; B65D 43/161; B65D 43/162; B65D 45/00; B65D 45/16; B65D 45/18; B65D 45/32; B65D 51/16; B65D 51/1683; B65D 51/1688; B65D 51/1694; B65D 2251/00; B65F 1/1615

See application file for complete search history.

(56) **References Cited**

U.S. PATENT DOCUMENTS

D162,579	S	*	3/1951	Roop	.....	D7/615
D282,044	S	*	1/1986	McClelland	.....	D7/391
D351,792	S	*	10/1994	Morris, Sr.	.....	D9/425
D403,582	S	*	1/1999	Nask	.....	D9/435
5,896,993	A	*	4/1999	Nask	.....	B65D 21/0219 206/508
D540,669	S	*	4/2007	George	.....	D7/392.1
D562,640	S	*	2/2008	Tucker	.....	D7/542
D572,086	S		7/2008	Matsumoto		

(Continued)

OTHER PUBLICATIONS

<https://www.oxo.com/products/storage-organization/food/pop-container-sm-square-0-3-qt-0-3-1> (website published prior to Dec. 29, 2016).

(Continued)

*Primary Examiner* — Ricky Pham

(74) *Attorney, Agent, or Firm* — Rankin, Hill & Clark LLP

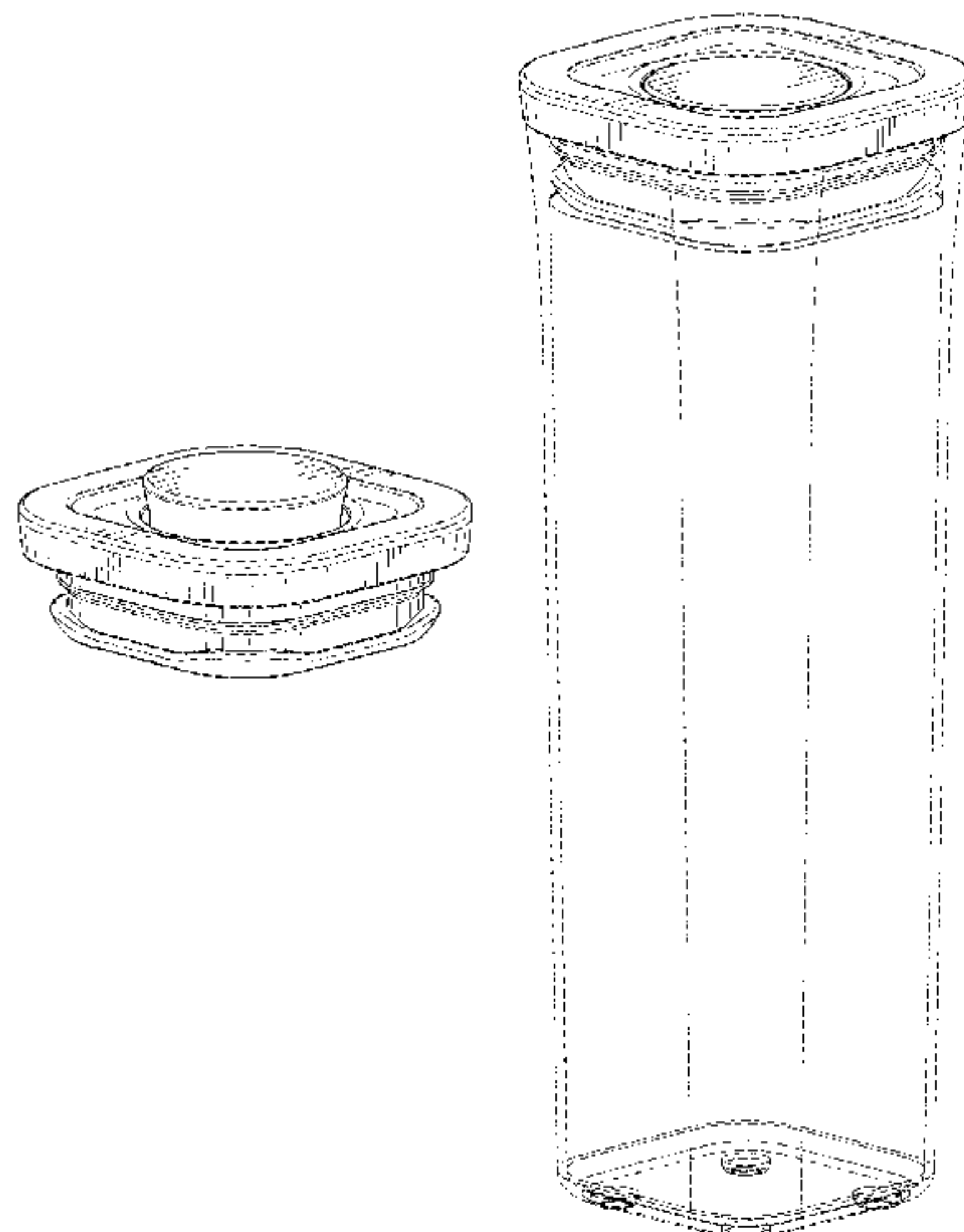
(57) **CLAIM**

The ornamental design for a container lid, as shown and described.

**DESCRIPTION**

FIG. 1 is a perspective view of a container lid with a button shown in an extended position;  
FIG. 2 is another upper perspective view thereof with the button in a depressed position;  
FIG. 3 is a lower perspective view thereof;  
FIG. 4 is a side elevation view thereof with the button in the extended position, all sides being identical;  
FIG. 5 is a side elevation view thereof with the button in the depressed position, all sides being identical;  
FIG. 6 is a top plan view thereof;  
FIG. 7 is a bottom plan view thereof; and,  
FIG. 8 is another upper perspective view thereof with the button in a depressed position.  
The broken lines in the drawings form no part of the claimed design.

**1 Claim, 8 Drawing Sheets**



(56)

**References Cited**

U.S. PATENT DOCUMENTS

D610,412 S \* 2/2010 Matsumoto ..... D7/629  
D655,158 S \* 3/2012 Drozek ..... D9/435  
D655,850 S \* 3/2012 Sabernig ..... D26/85  
D765,508 S \* 9/2016 Wu ..... D9/439  
D817,701 S \* 5/2018 Ho ..... D7/391  
2018/0016065 A1\* 1/2018 Ho ..... B65D 45/32

OTHER PUBLICATIONS

<https://www.target.com/s/oxo+softworks+pop+containers> (website published prior to Dec. 29, 2016).

\* cited by examiner

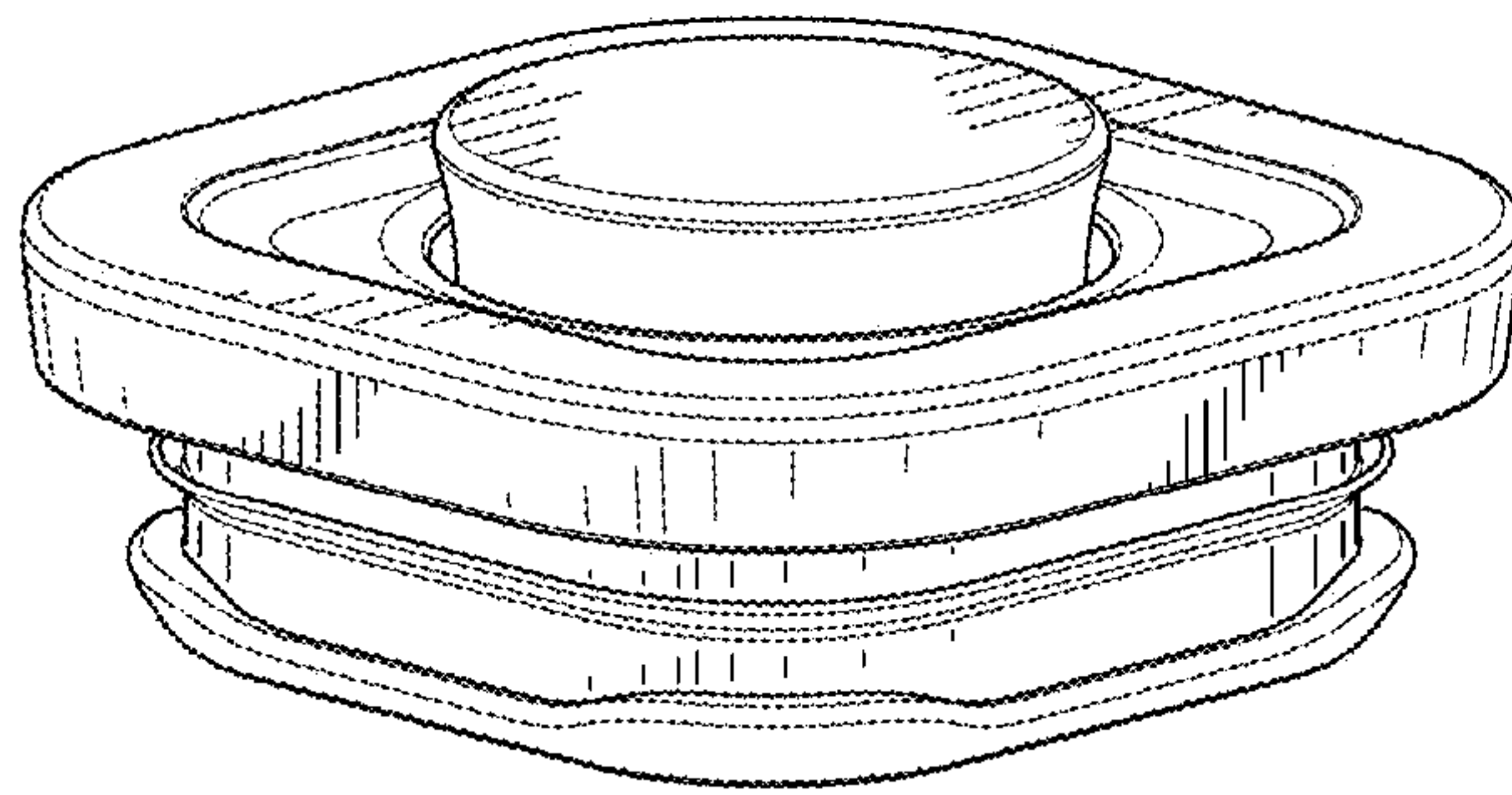


FIG. 1

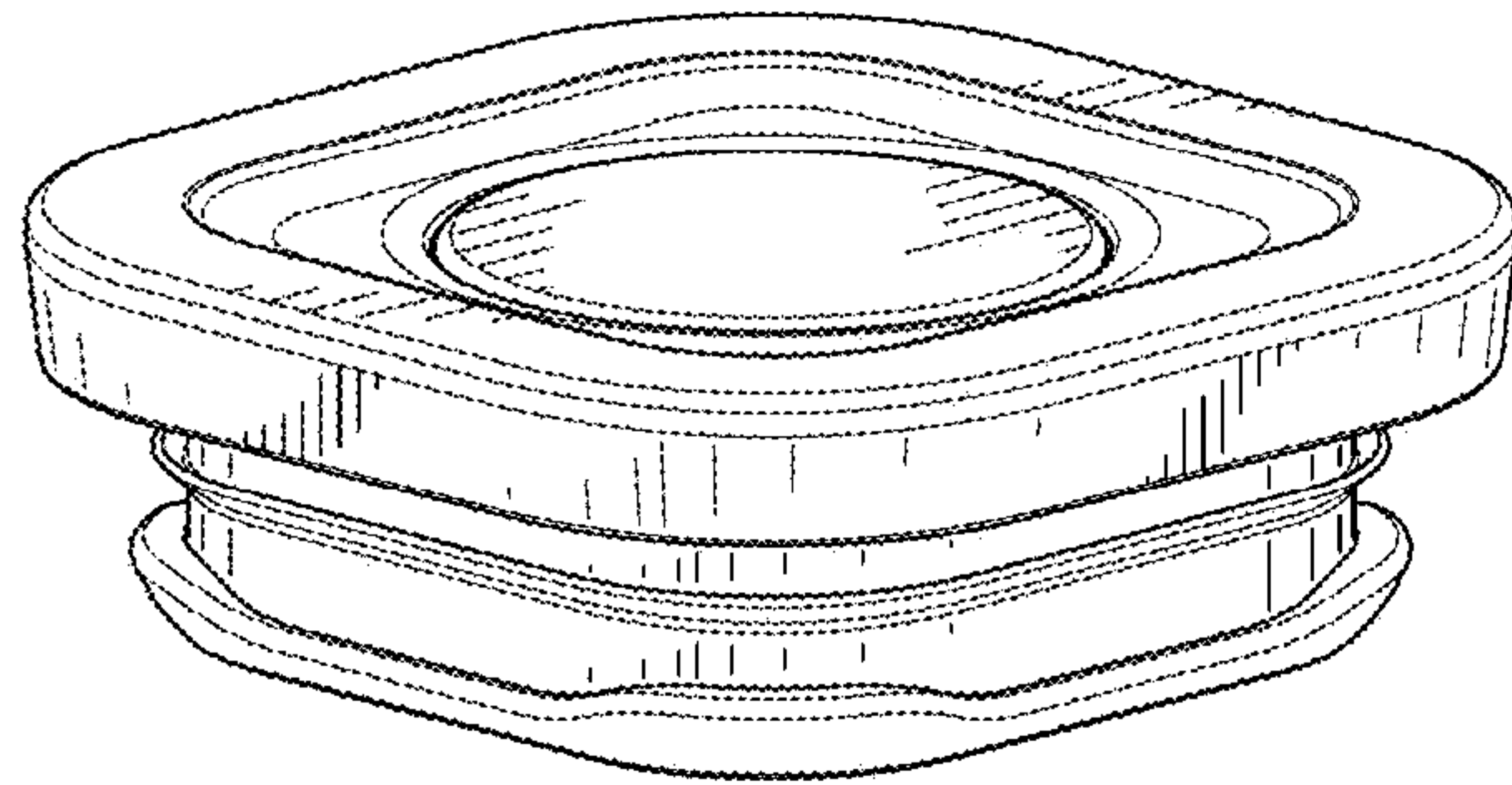


FIG.2

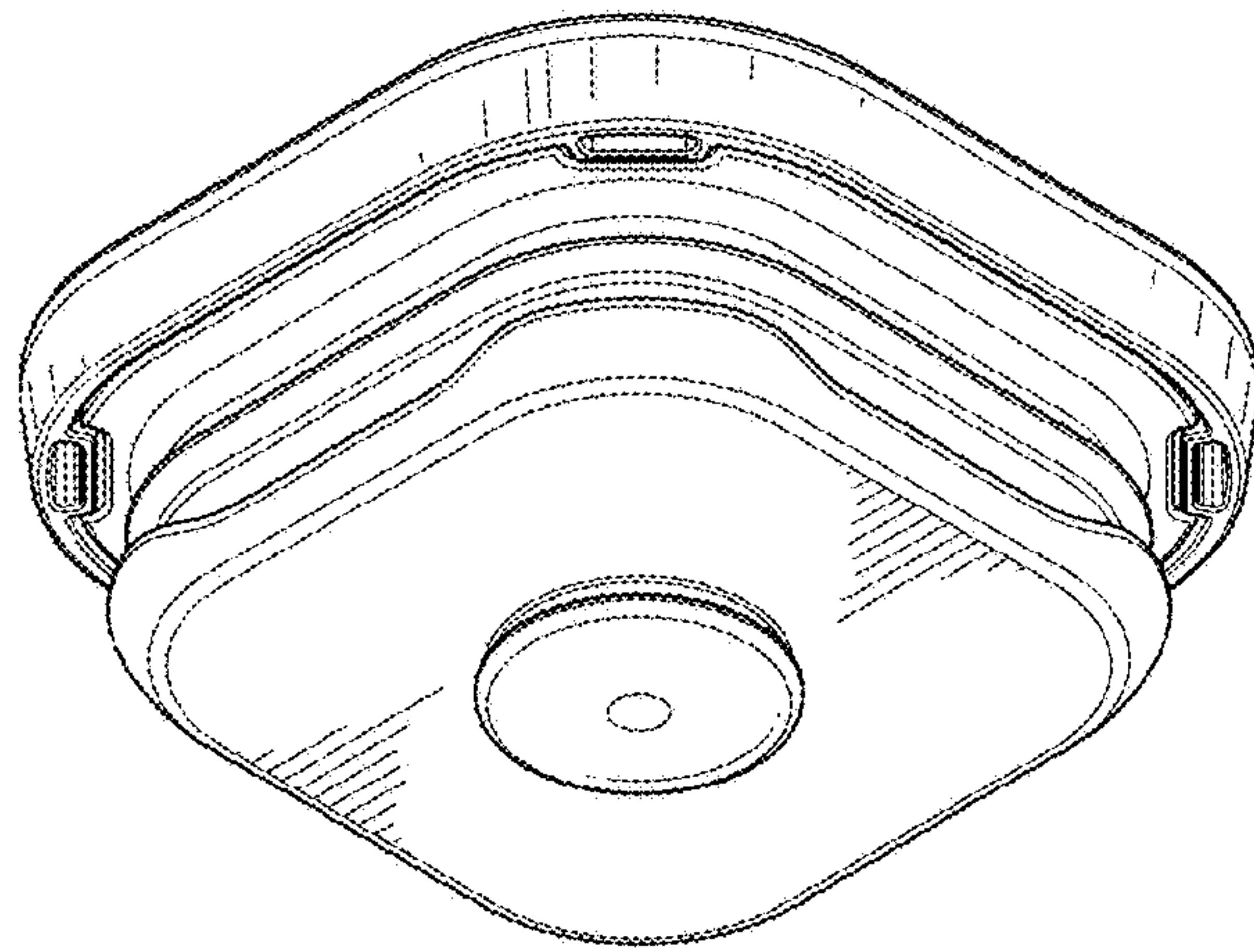


FIG. 3

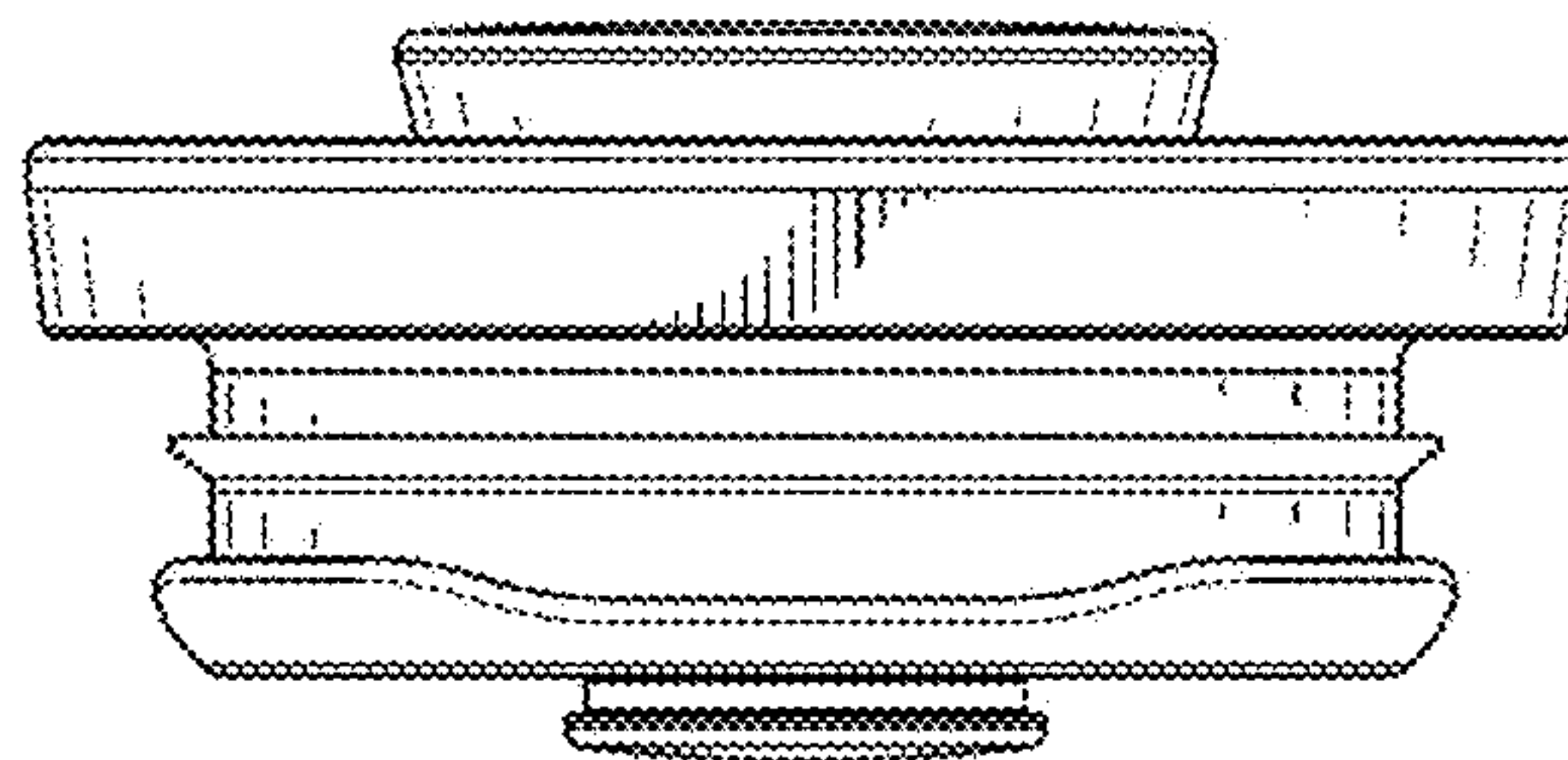


FIG.4

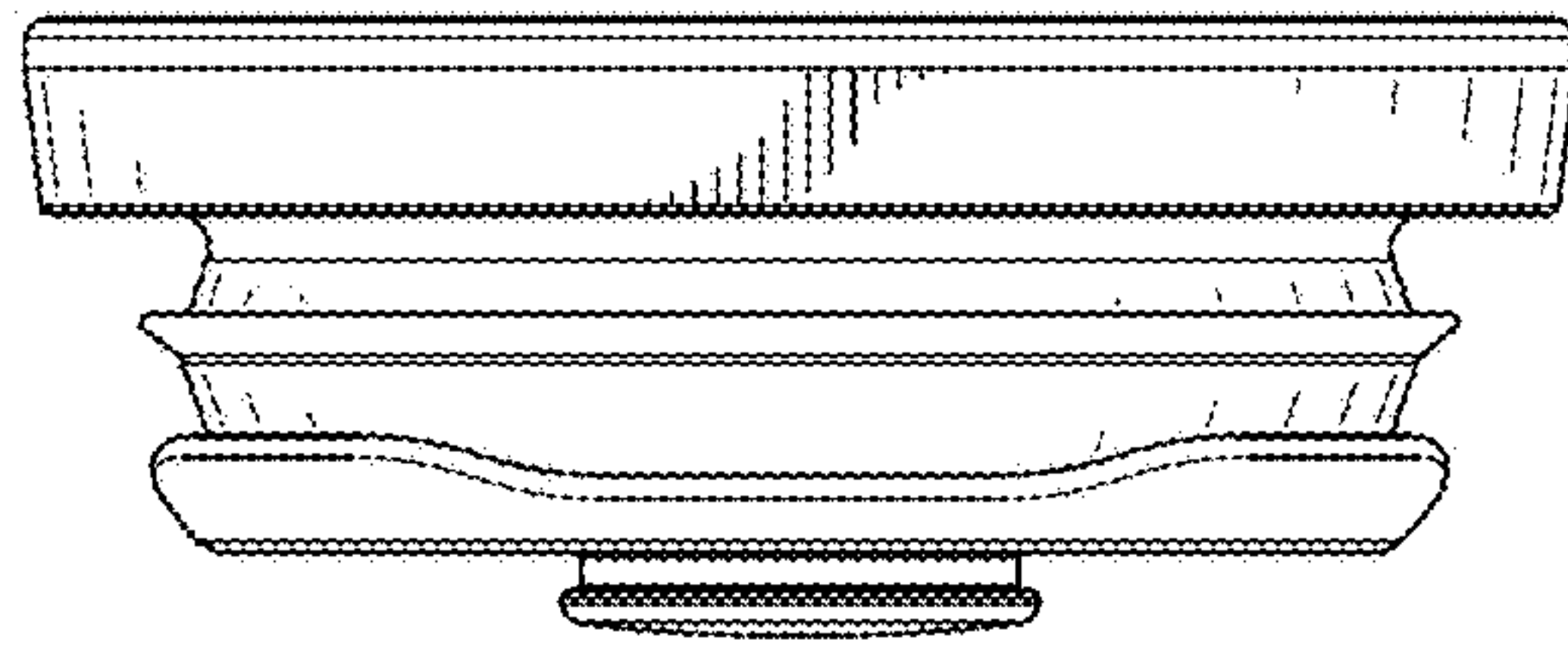


FIG.5



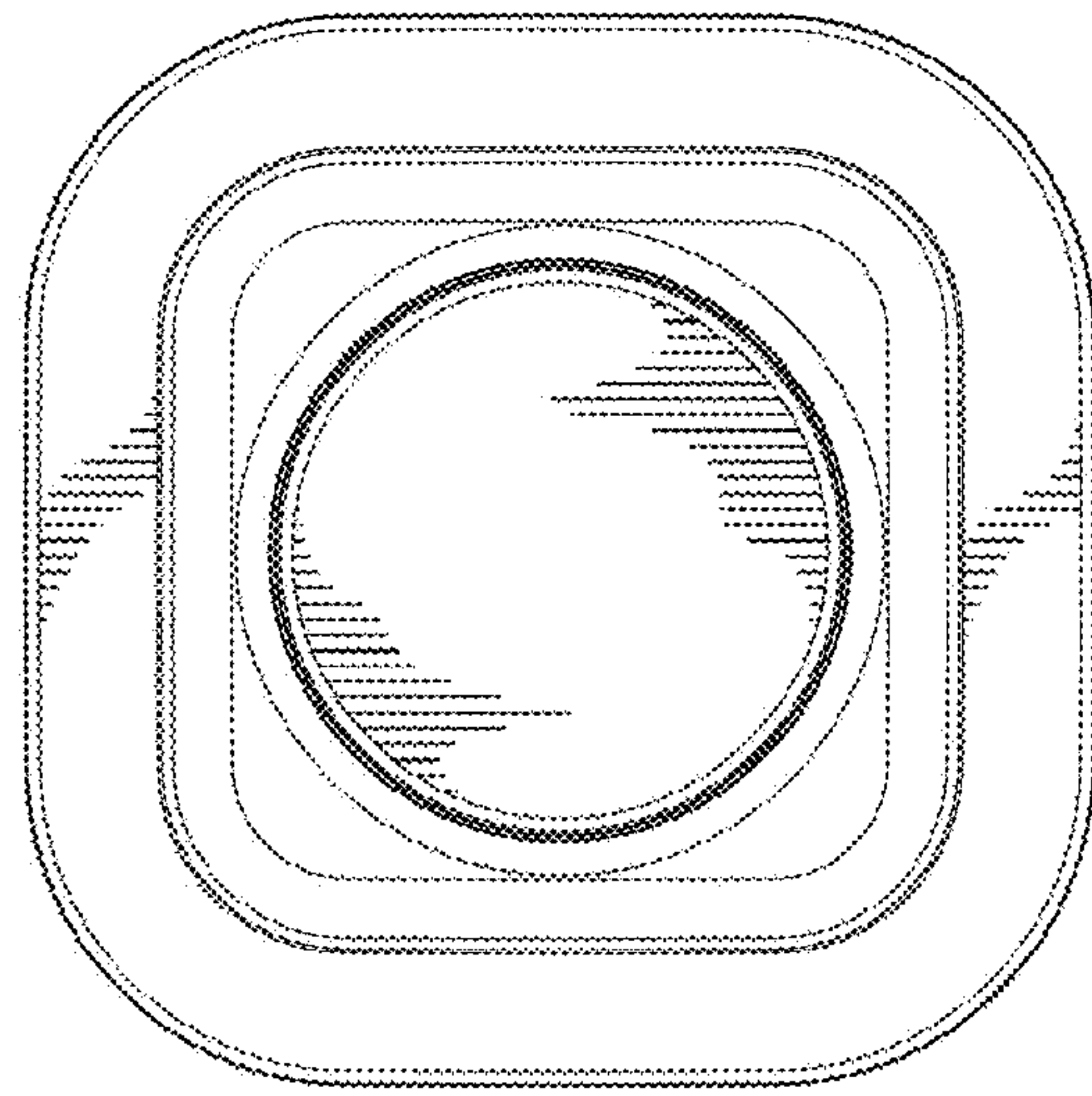


FIG. 6



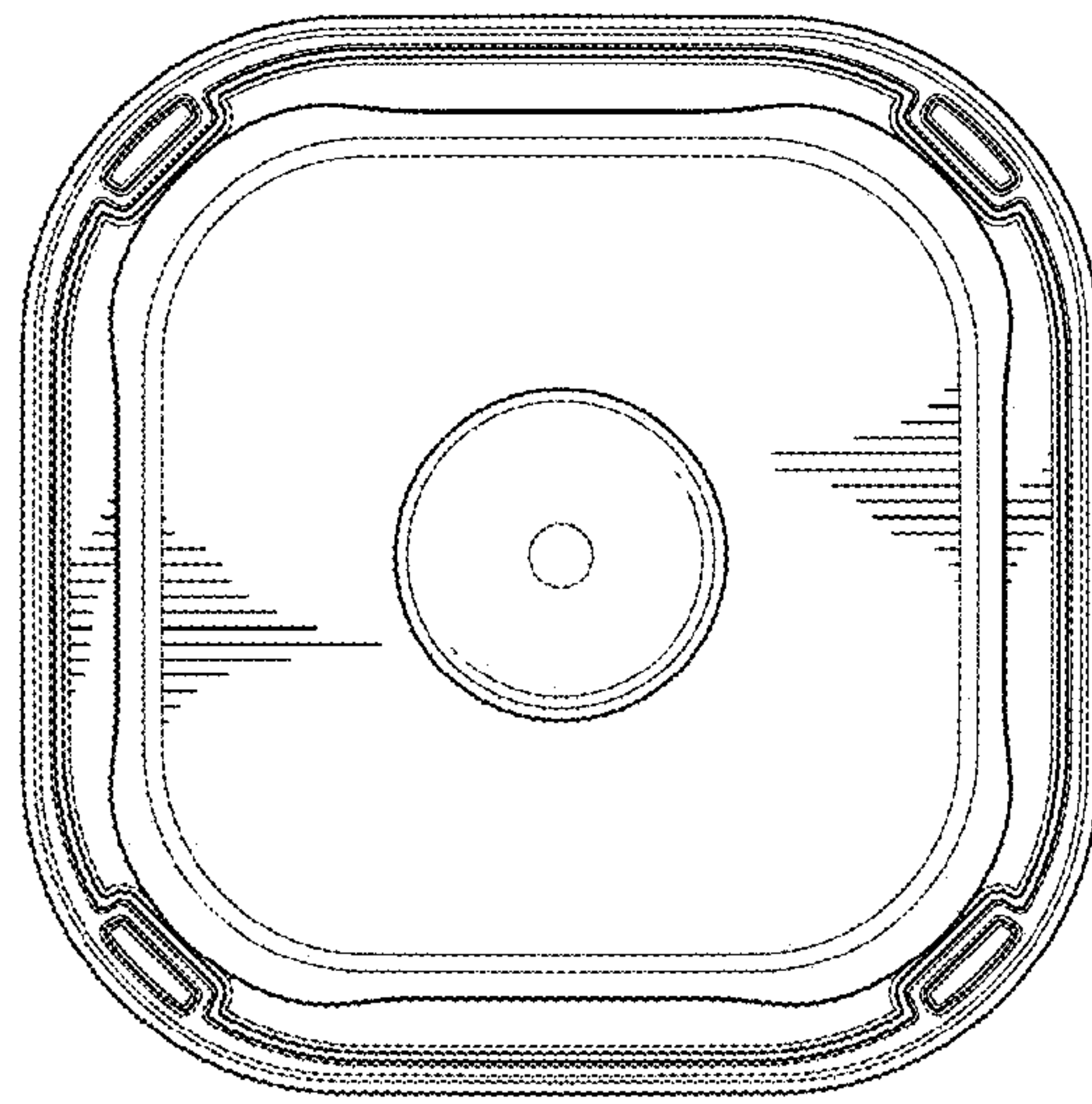


FIG.7

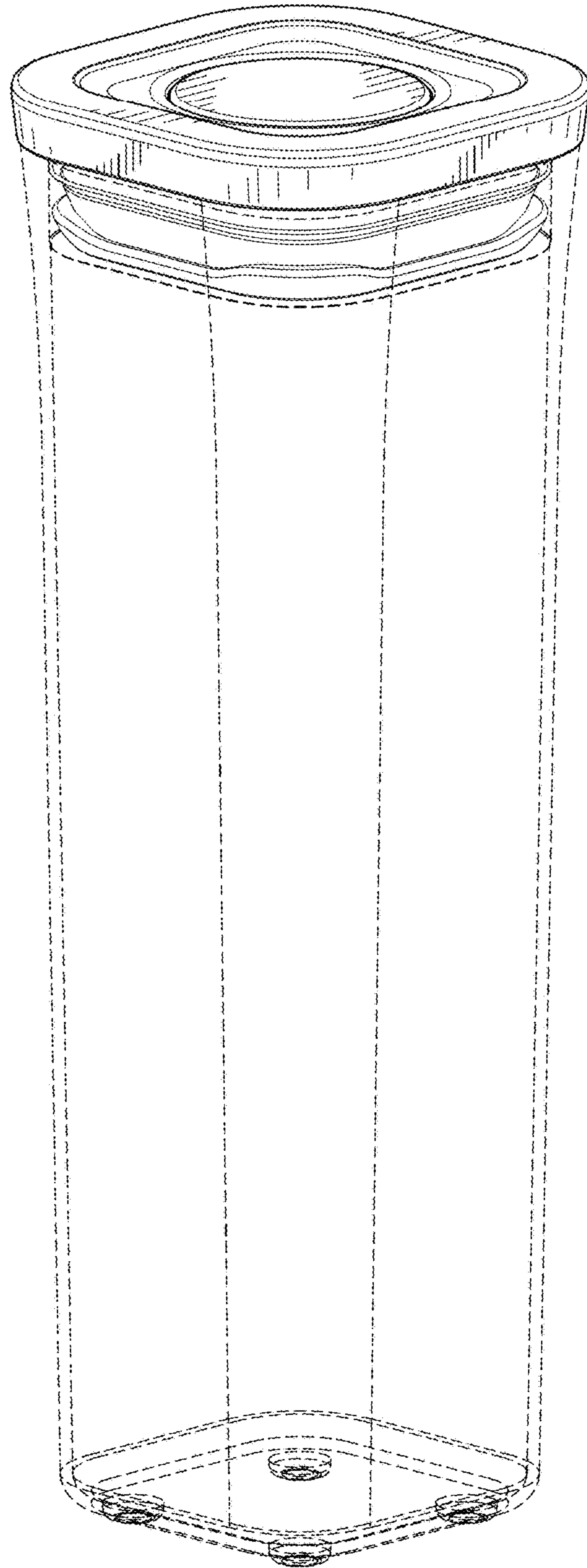


FIG.8