



US00D850186S

(12) **United States Design Patent**  
**Livingston**

(10) **Patent No.:** **US D850,186 S**  
(45) **Date of Patent:** **\*\* Jun. 4, 2019**

- (54) **COMBINED FRYING PAN AND COVER**
- (71) Applicant: **A. Stucki Company**, Moon Township, PA (US)
- (72) Inventor: **Victoria K. Livingston**, Bethel Park, PA (US)
- (73) Assignee: **A. Stucki Company**, Moon Township, PA (US)
- (\*\*) Term: **15 Years**
- (21) Appl. No.: **29/598,715**
- (22) Filed: **Mar. 28, 2017**
- (51) **LOC (11) Cl.** ..... **07-02**
- (52) **U.S. Cl.**  
USPC ..... **D7/361**
- (58) **Field of Classification Search**  
USPC ..... D7/323, 330-331, 337, 339, 347, D7/350-367, 378-384, 391-396, 401.2, D7/402, 409, 542-545, 560, 664; D8/107, 300, 303, 307, 313, 321; D4/129, 138  
CPC ..... A47G 19/12; A47J 27/00; A47J 27/002; A47J 27/004; A47J 27/006; A47J 27/02; A47J 27/022; A47J 27/04; A47J 27/043; A47J 36/025; A47J 36/06; A47J 36/08; A47J 36/18; A47J 36/20; A47J 36/22; A47J 37/00; A47J 37/10; A47J 37/101; A47J 37/108; A47J 37/067; A47J 45/08; A47J 45/061; A47J 45/085; A47J 45/071; A47J 45/072; B65D 25/2802; B65D 25/2882; B65D 25/2885; B65D 25/2888; B65D 25/2894; G07F 17/0064; G07F 17/0078; G07F 17/0085; H05B 6/12; H05B 6/1227; Y10S 220/912  
See application file for complete search history.

(56) **References Cited**  
U.S. PATENT DOCUMENTS

- D287,092 S \* 12/1986 Durand ..... D7/354
  - D323,097 S \* 1/1992 Picozza ..... D7/540
- (Continued)

*Primary Examiner* — Barbara Fox  
*Assistant Examiner* — Messina L Smith  
(74) *Attorney, Agent, or Firm* — Buchanan Ingersoll & Rooney PC

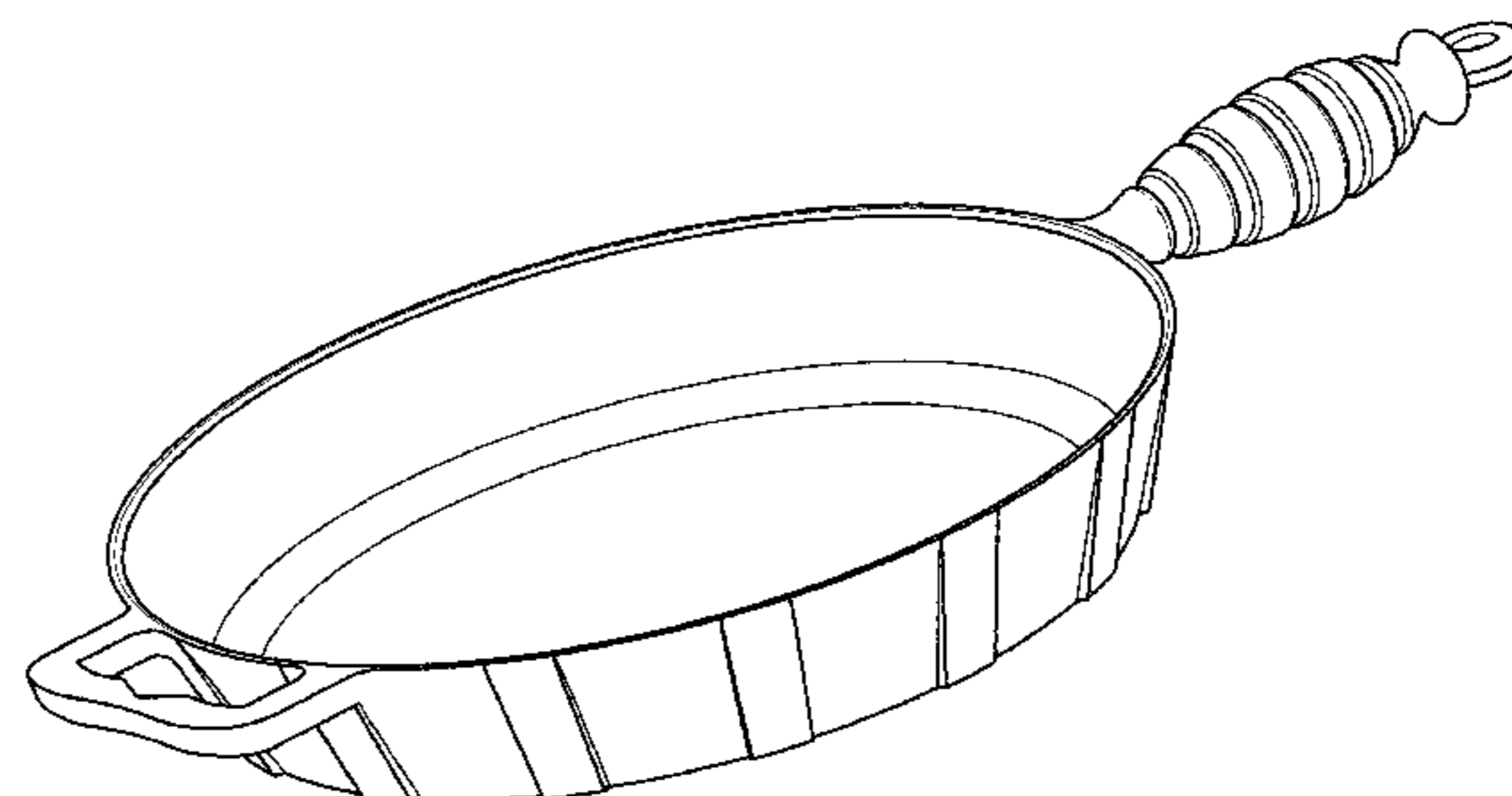
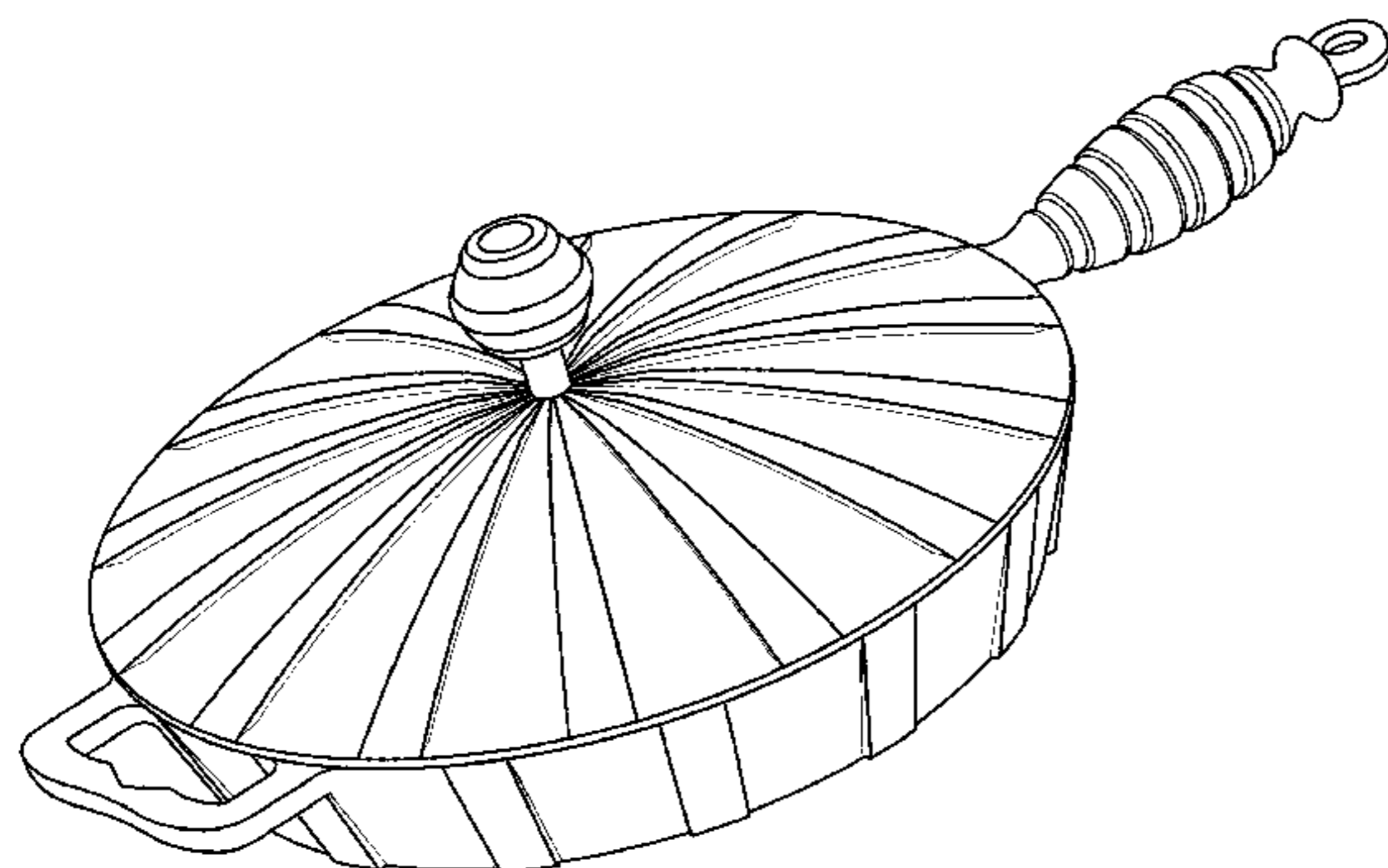
(57) **CLAIM**

The ornamental design for a combined frying pan and cover, as shown and described.

**DESCRIPTION**

FIG. 1 is a perspective view of a combined frying pan and cover showing my new design; FIG. 2 is a right side elevational view thereof; FIG. 3 is a left side elevational view thereof; FIG. 4 is a rear view thereof; FIG. 5 is a front view thereof; FIG. 6 is a top plan view thereof; FIG. 7 is a bottom plan view thereof; FIG. 8 is a perspective view of the frying pan, shown separately for ease of illustration; FIG. 9 is a right side elevational view thereof; FIG. 10 is a left side elevational view thereof; FIG. 11 is a rear view thereof; FIG. 12 is a front view thereof; FIG. 13 is a top plan view thereof; FIG. 14 is a bottom plan view thereof; FIG. 15 is a perspective view of the frying pan cover, shown separately for ease of illustration; FIG. 16 is right side elevational view thereof, a left side elevational view thereof, a rear view thereof, and a front view thereof; FIG. 17 is a top plan view thereof; and, FIG. 18 is a bottom plan view thereof. The broken lines in the drawings depict portions of the combined frying pan and cover that form no part of the claimed design.

**1 Claim, 18 Drawing Sheets**



(56)

**References Cited**

U.S. PATENT DOCUMENTS

D507,719 S *	7/2005	Spagnolo .....	D7/361
D544,307 S *	6/2007	Ablo .....	D7/538
D545,630 S *	7/2007	Serra .....	D7/545
D586,177 S *	2/2009	Loring .....	D7/361
D587,065 S *	2/2009	Loring .....	D7/391
D587,066 S *	2/2009	Loring .....	D7/391
D717,101 S *	11/2014	Shin .....	D7/354
D717,586 S *	11/2014	Whitehead .....	D7/354
2018/0020870 A1 *	1/2018	Myers .....	A47J 36/02

\* cited by examiner

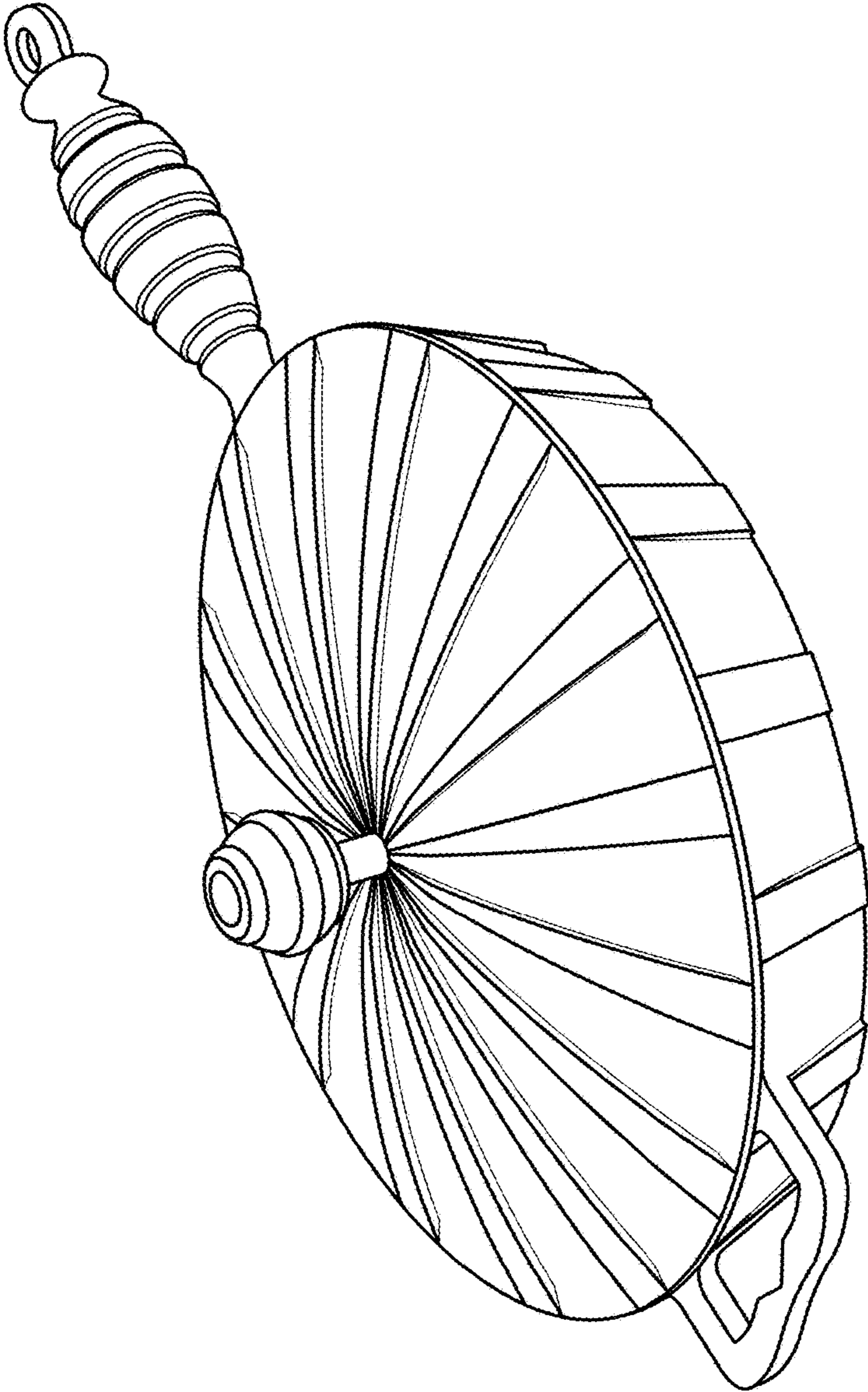


FIG. 1

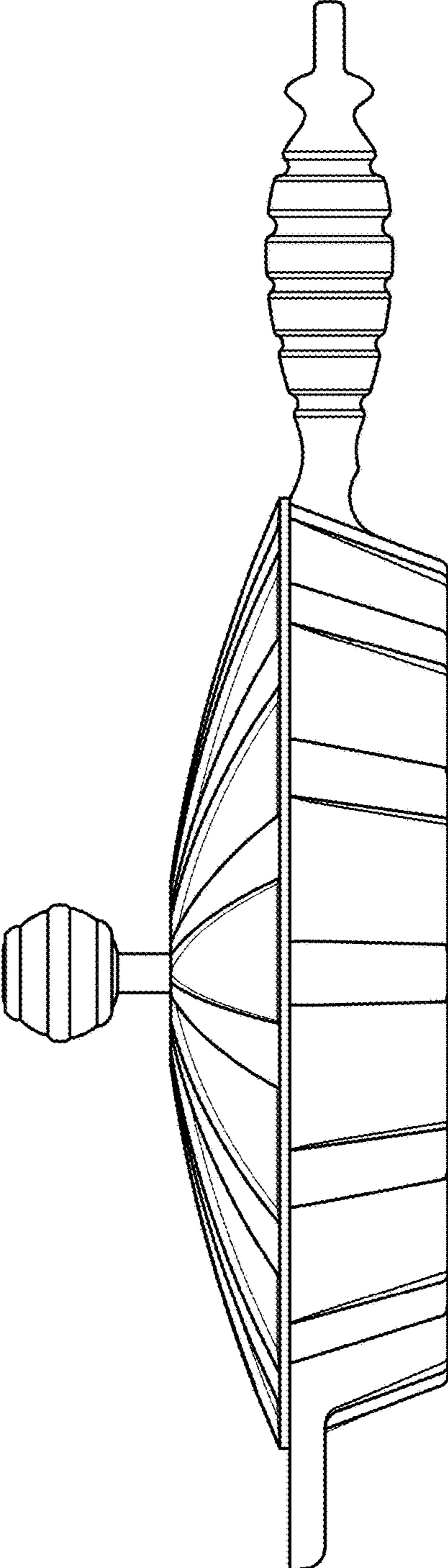


FIG. 2

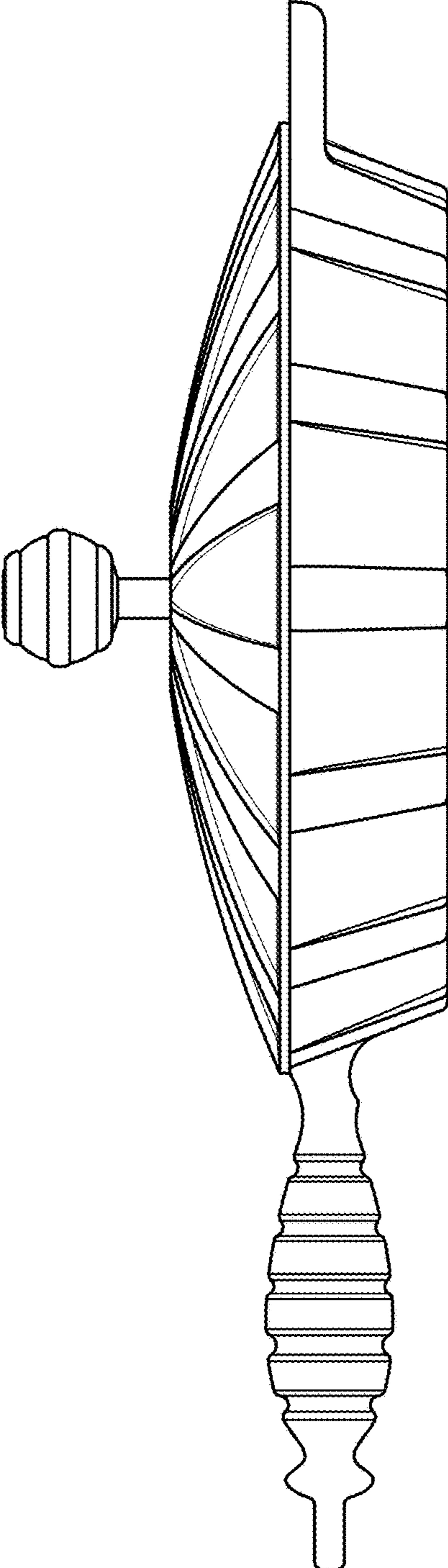


FIG. 3



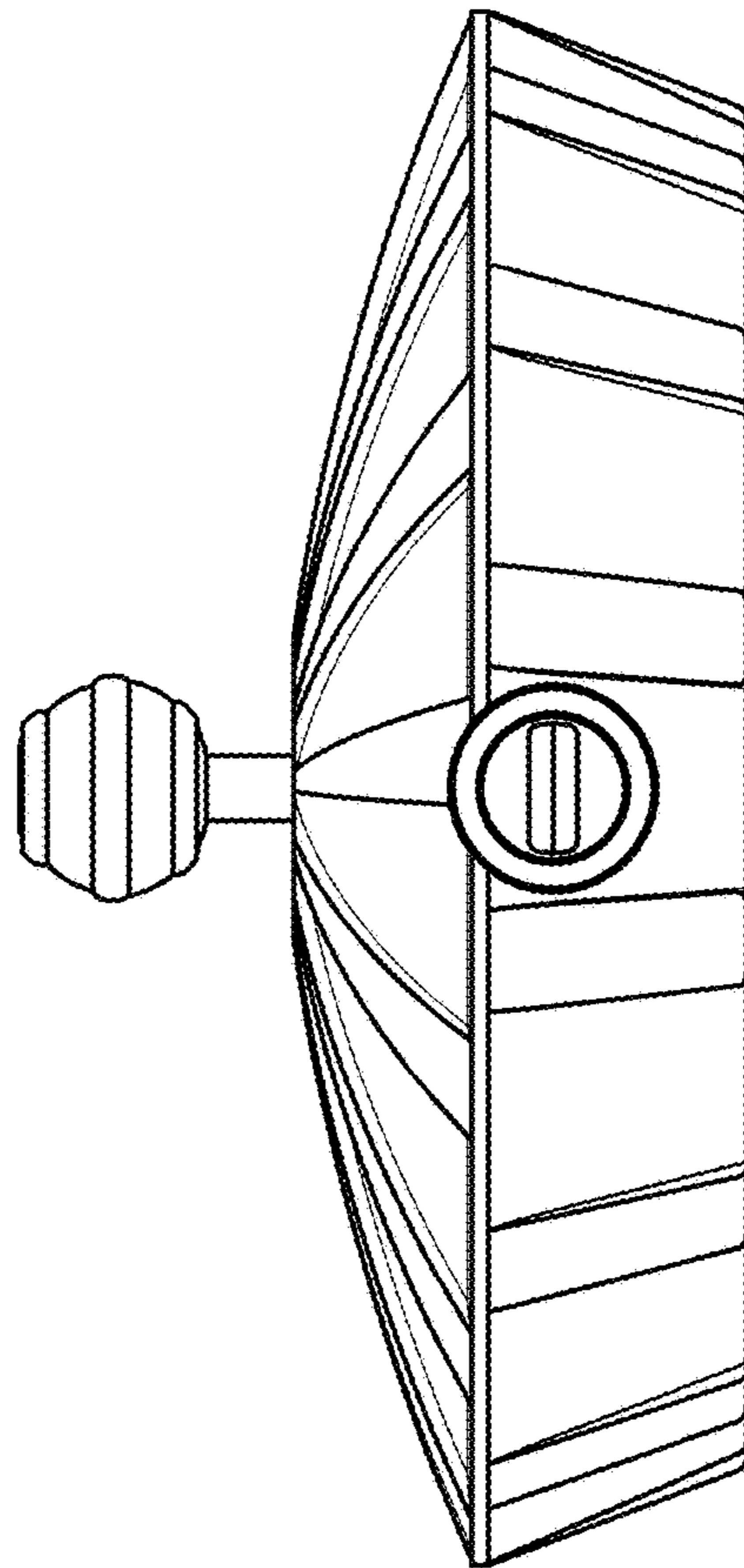


FIG. 4

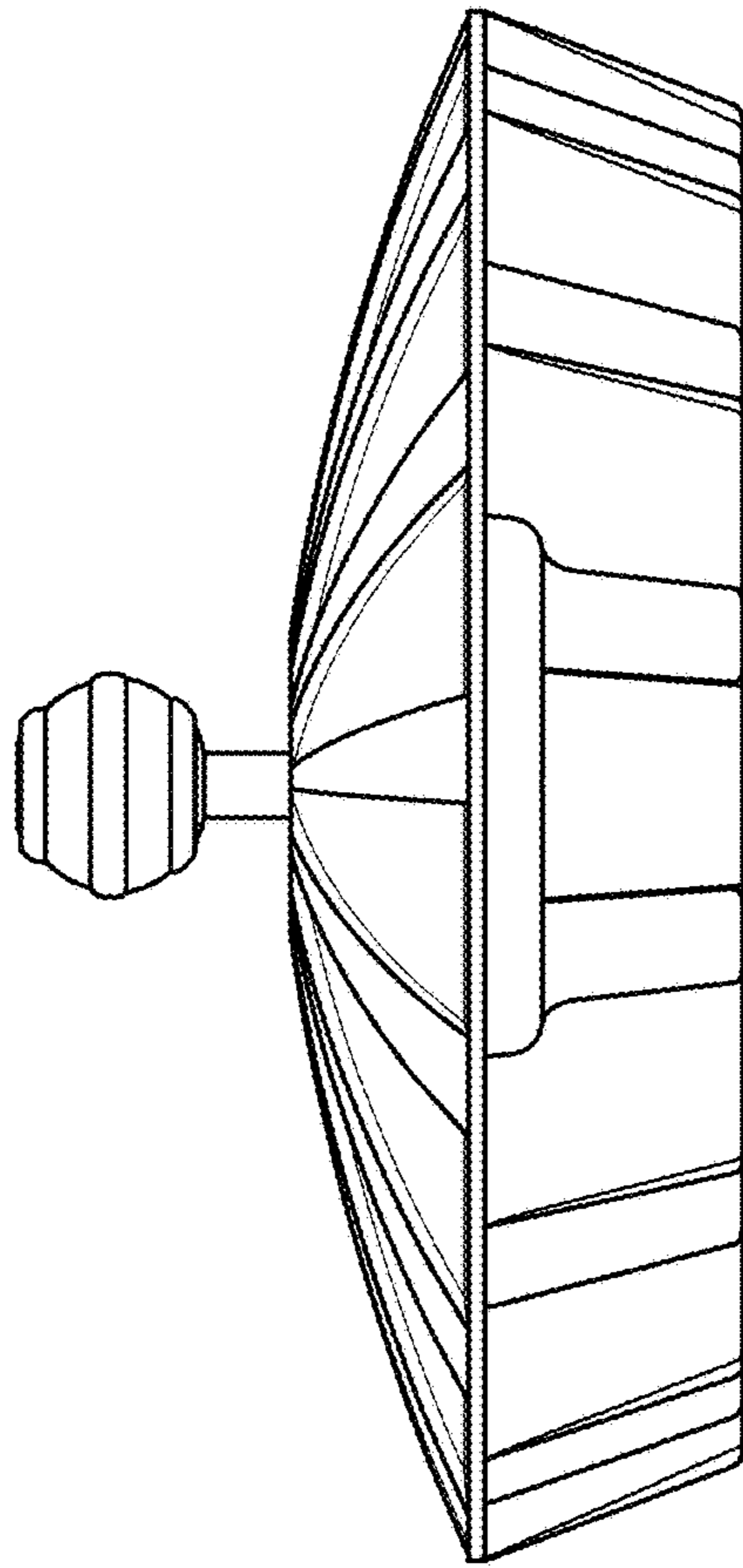


FIG. 5

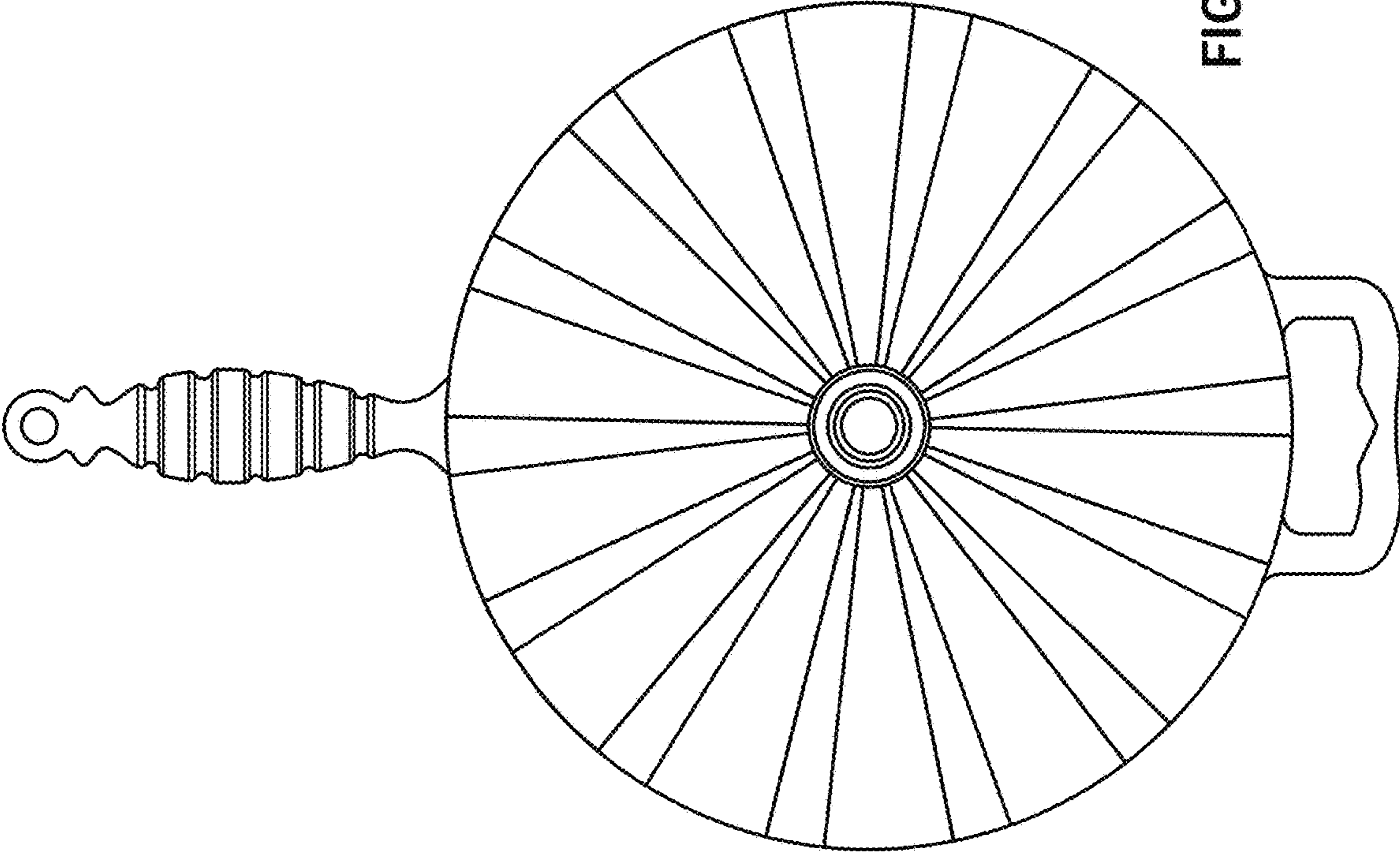


FIG. 6



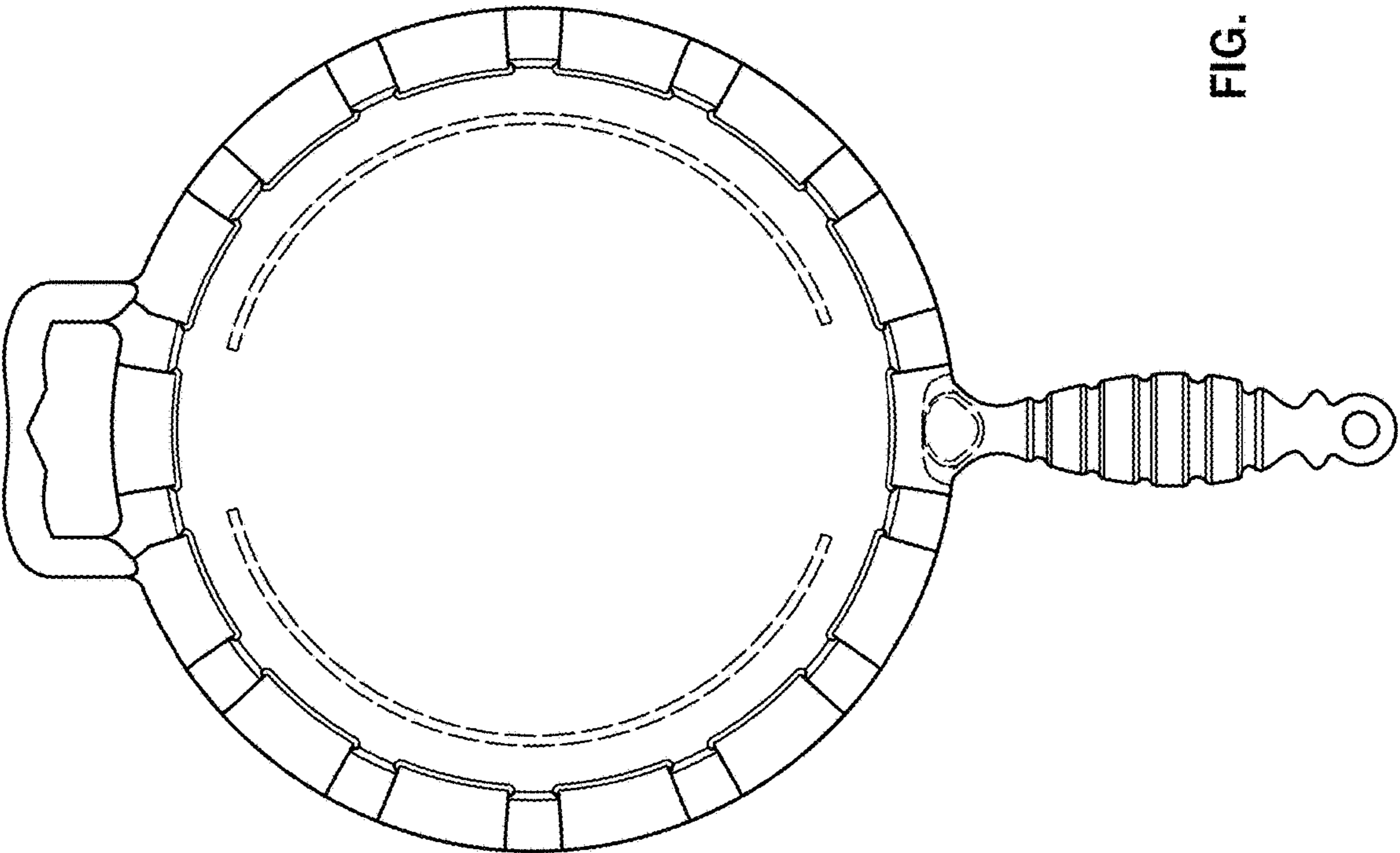


FIG. 7

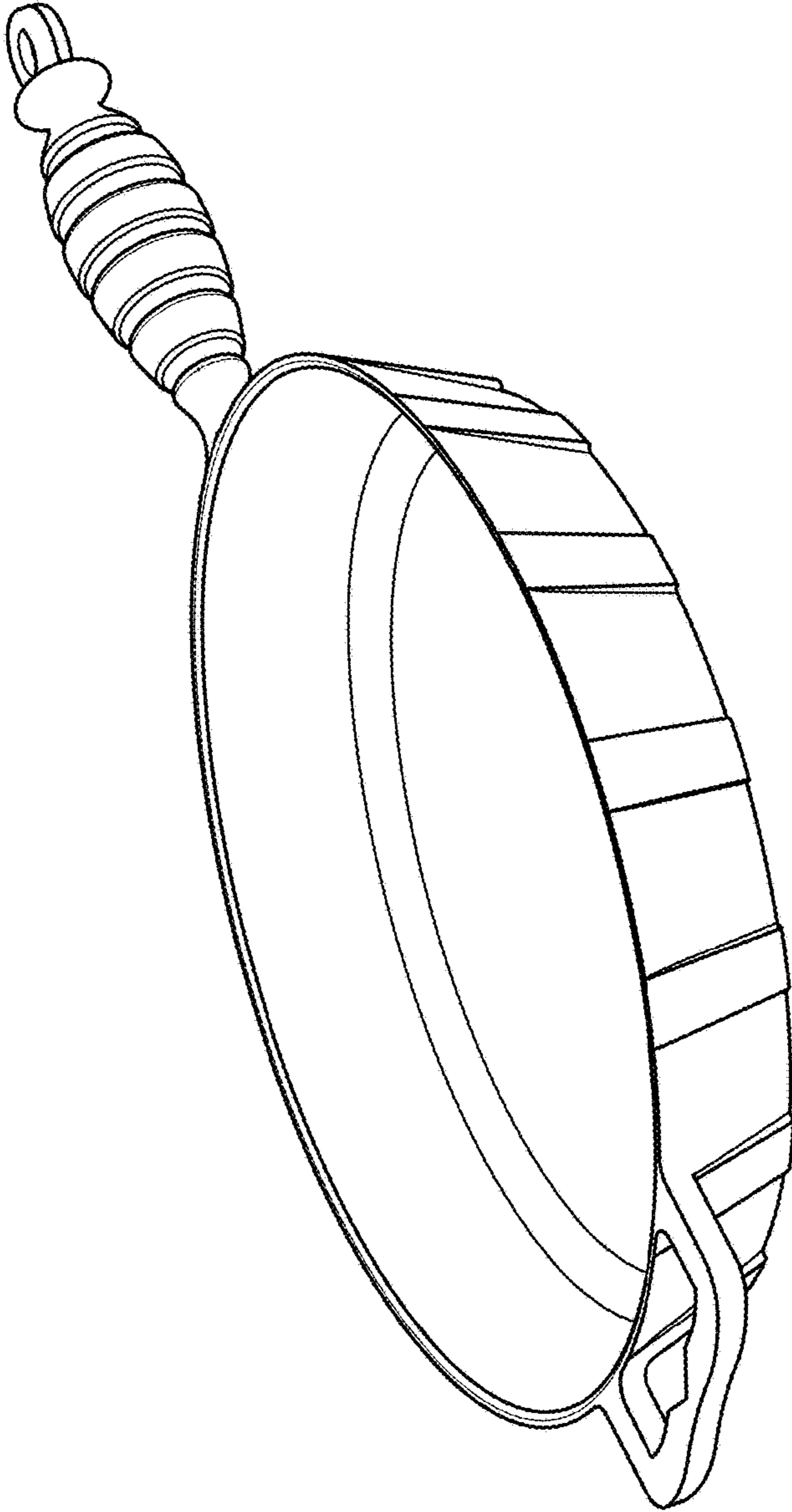


FIG. 8

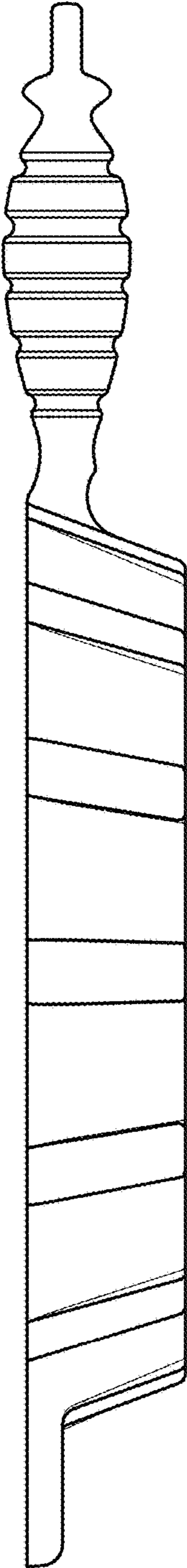


FIG. 9

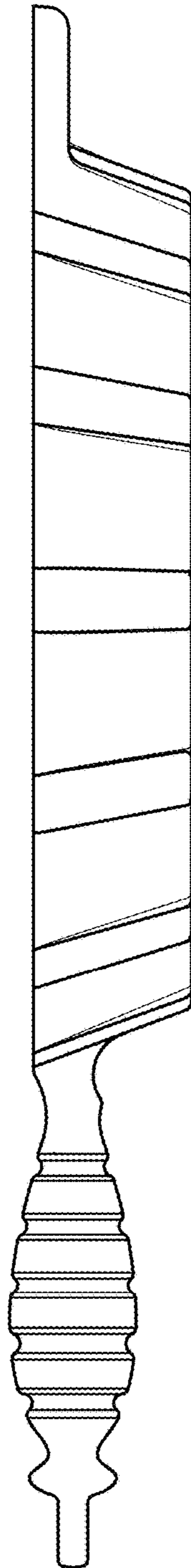


FIG. 10

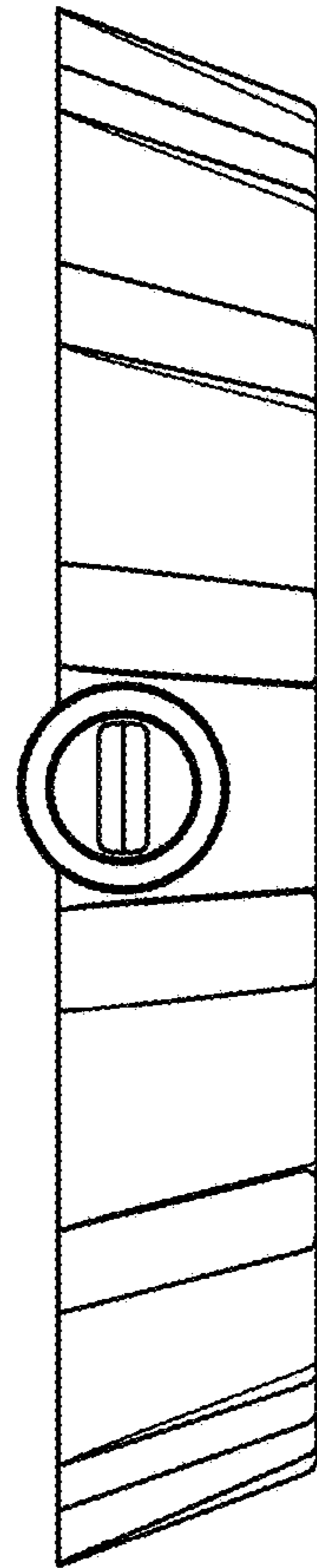


FIG. 11



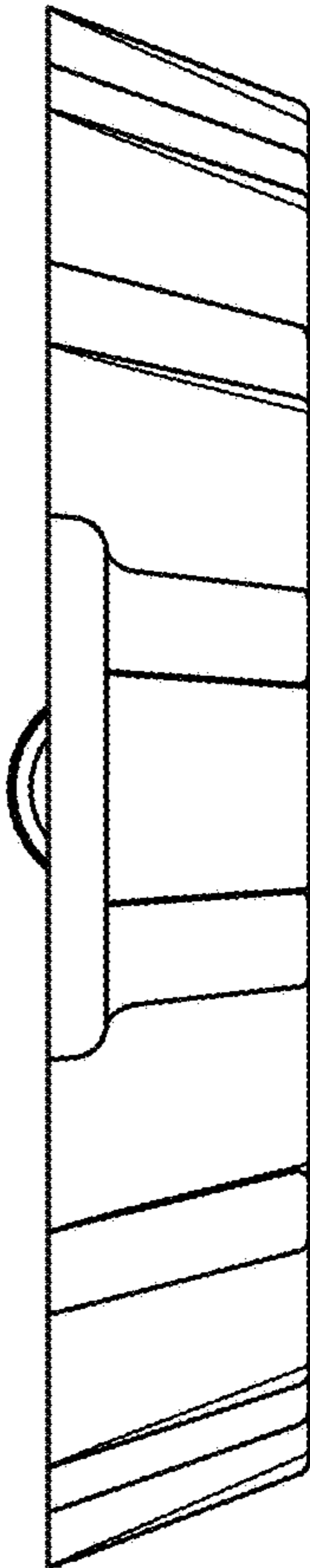


FIG. 12

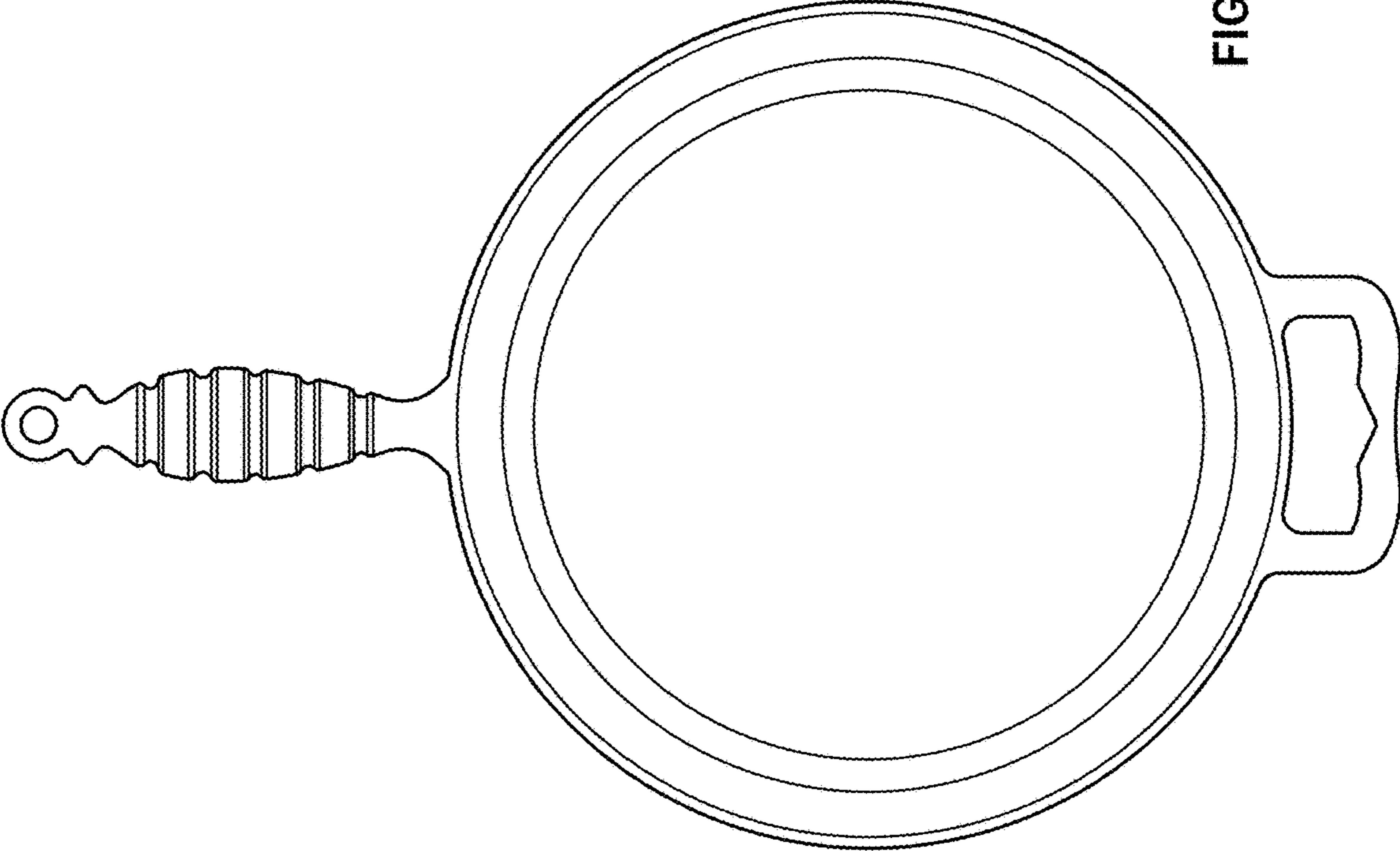


FIG. 13

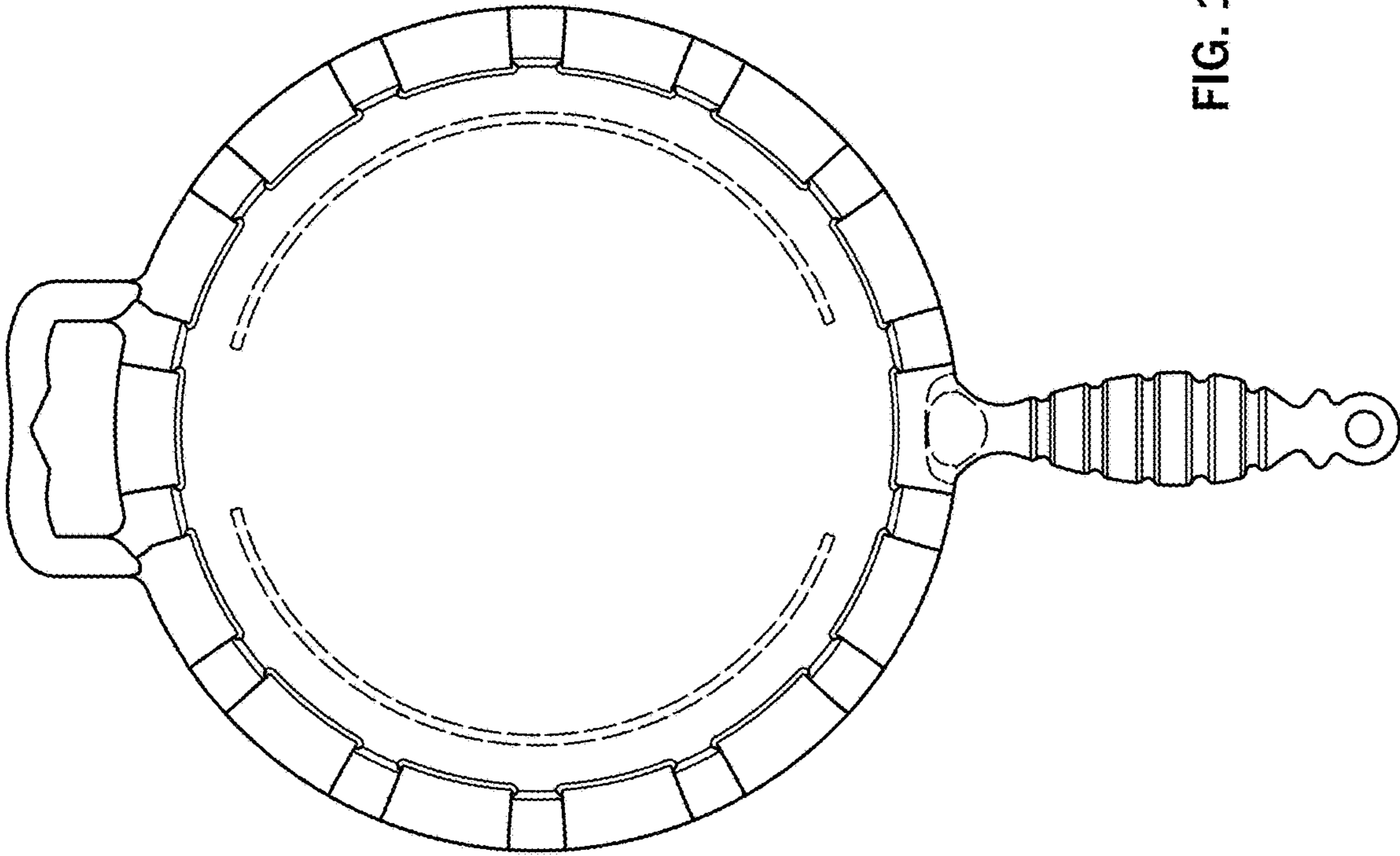


FIG. 14

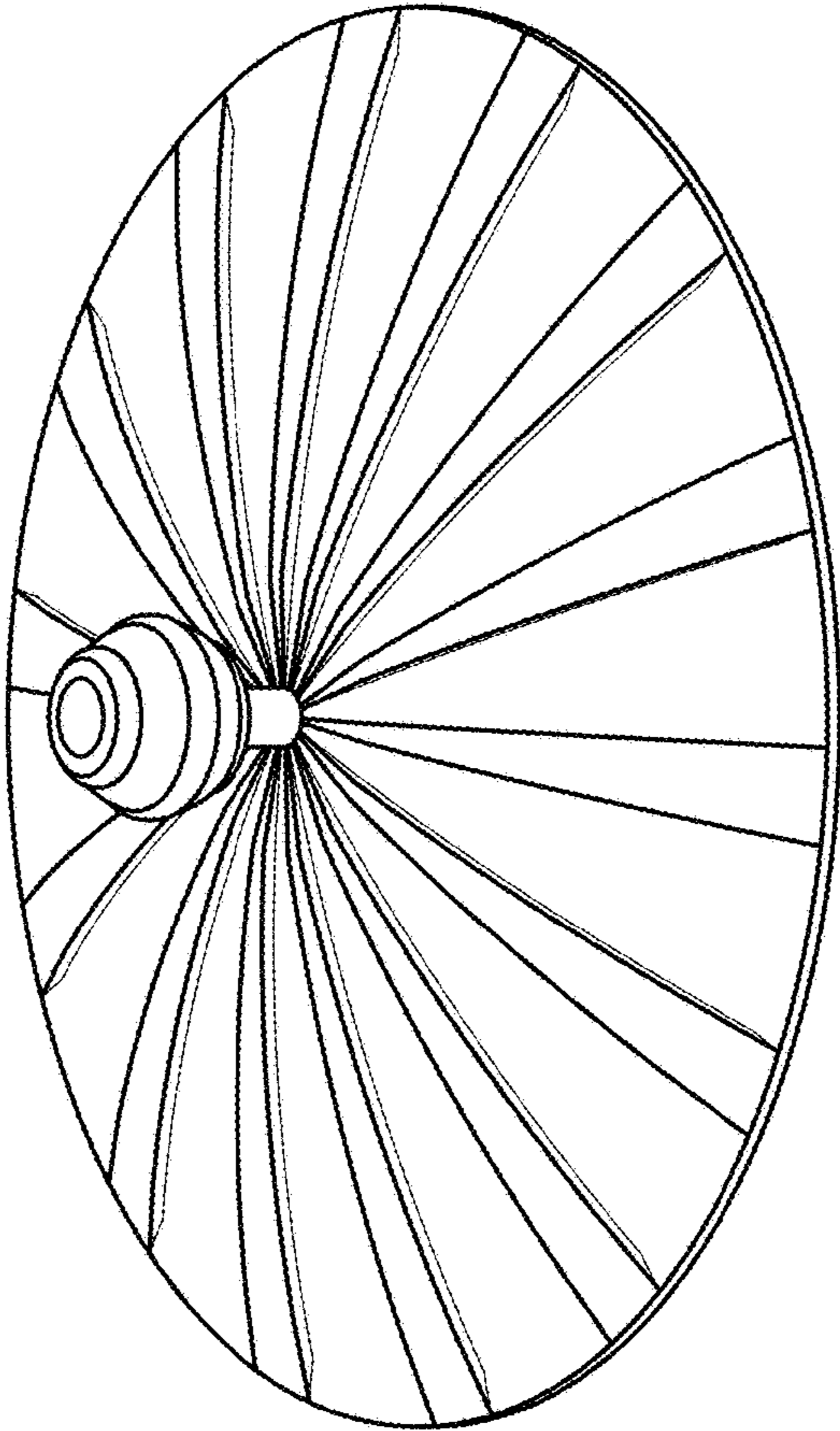


FIG. 15

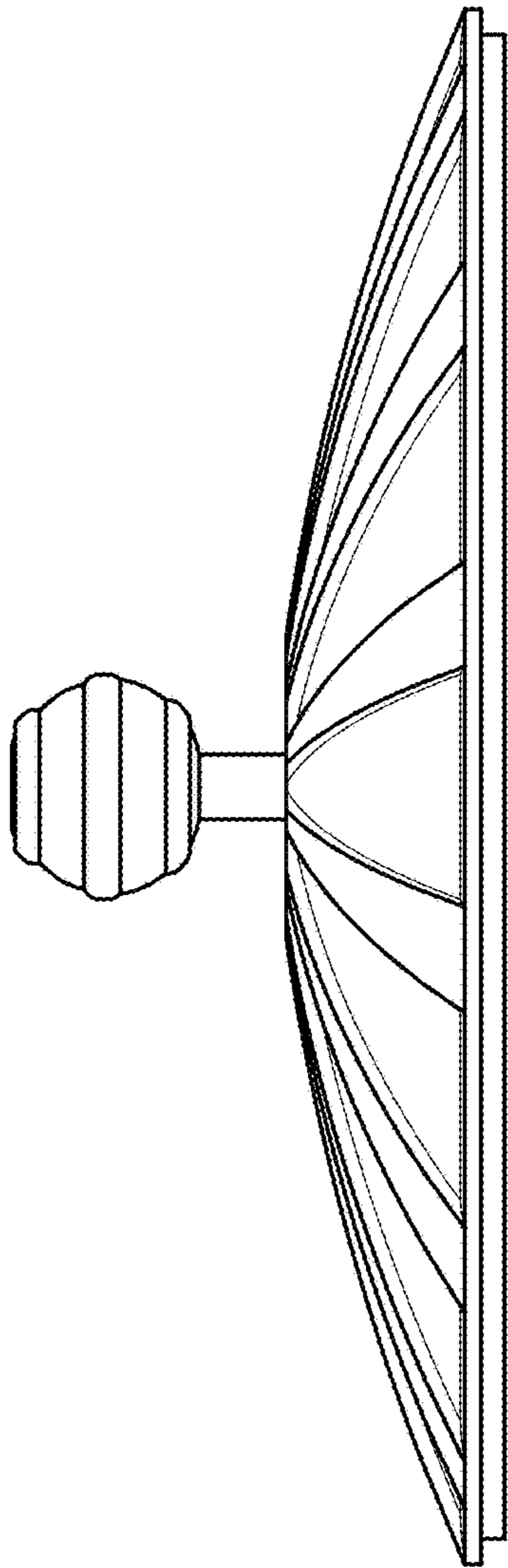


FIG. 16



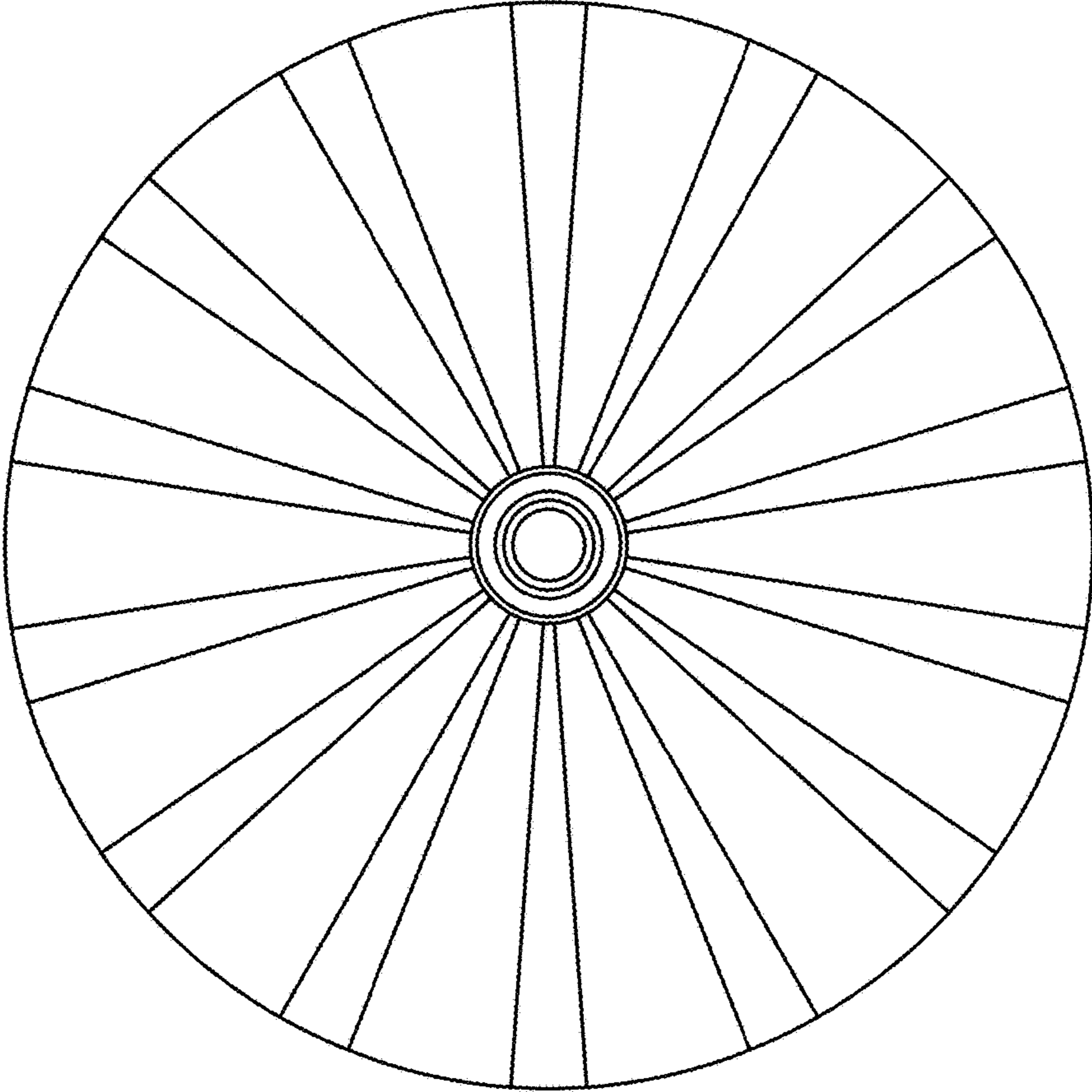


FIG. 17

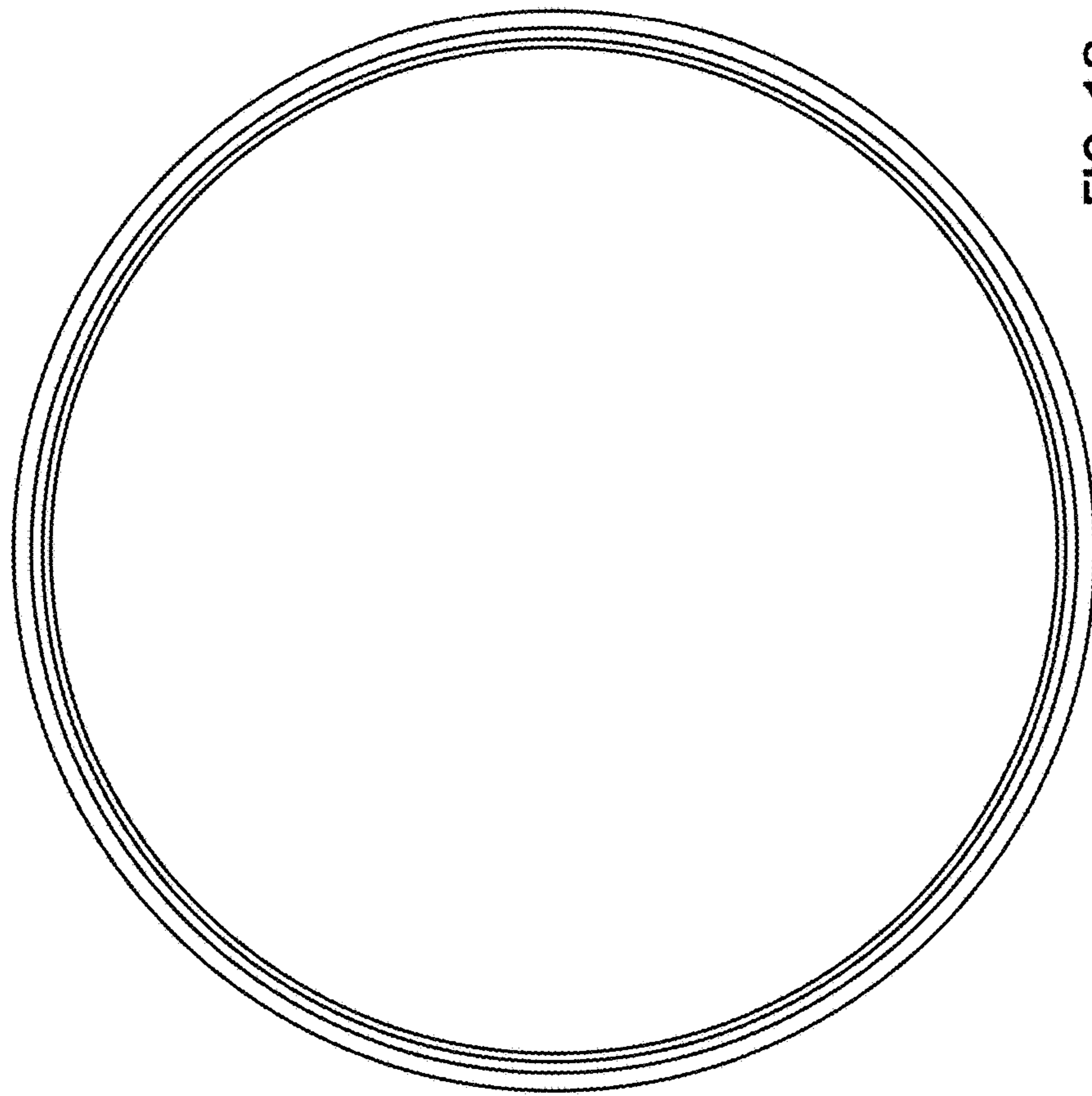


FIG. 18