



US00D850185S

(12) **United States Design Patent** (10) **Patent No.:** **US D850,185 S**
Terao (45) **Date of Patent:** **** Jun. 4, 2019**

(54) **RICE COOKER**
(71) Applicant: **BALMUDA INC.**, Tokyo (JP)
(72) Inventor: **Gen Terao**, Musashino (JP)
(**) Term: **15 Years**
(21) Appl. No.: **35/504,155**
(22) Filed: **Jun. 9, 2017**

D452,412 S * 12/2001 Jeong D7/354
D552,921 S * 10/2007 Garman D7/354
D557,552 S * 12/2007 Matras D7/354
D560,424 S * 1/2008 McLemore D7/355
D704,500 S * 5/2014 Kim D7/354
D715,088 S * 10/2014 Kim D7/354
D801,105 S * 10/2017 Sandberg D7/354
D803,614 S * 11/2017 Choi D7/354
D818,759 S * 5/2018 Choi D7/354
D830,103 S * 10/2018 Cao D7/354

* cited by examiner

(80) **Hague Agreement Data**
Int. Filing Date: **Jun. 9, 2017**
Int. Reg. No.: **DM/096611**
Int. Reg. Date: **Jun. 9, 2017**
Int. Reg. Pub. Date: **Dec. 15, 2017**

Primary Examiner — Sheryl Llane
Assistant Examiner — Nicole C Shiflet
(74) *Attorney, Agent, or Firm* — Oliff PLC

(30) **Foreign Application Priority Data**

Jan. 11, 2017 (JP) 2017-000281

(51) **LOC (11) Cl.** **07-02**
(52) **U.S. Cl.**
USPC **D7/354**

(58) **Field of Classification Search**
USPC D7/354-361, 323
CPC A47J 27/04; A47J 27/08; A47J 27/004;
A47J 37/12
See application file for complete search history.

(57) **CLAIM**

The ornamental design for a rice cooker, as shown and described.

DESCRIPTION

- 1. Rice cooker
- 1.1 : Front
- 1.2 : Back
- 1.3 : Left
- 1.4 : Top
- 1.5 : Bottom
- 1.6 : Perspective
- 1.7 : Perspective
- 1.8 : Right

The broken lines showing portions of the article form no part of the claimed design.

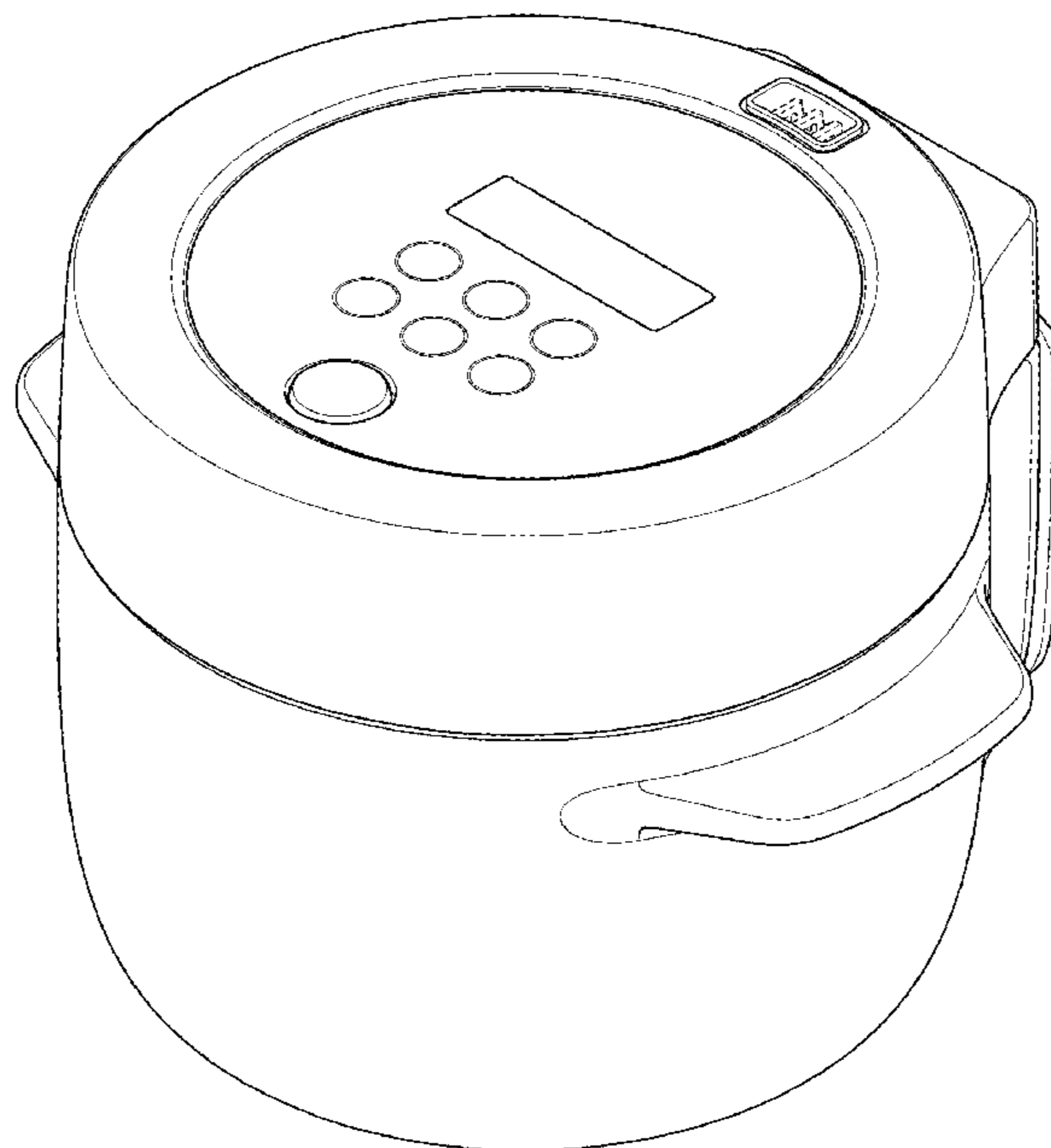
The characteristic feature of the design is its shape; the rectangle in the center of the top view is a liquid crystal display part.

(56) **References Cited**

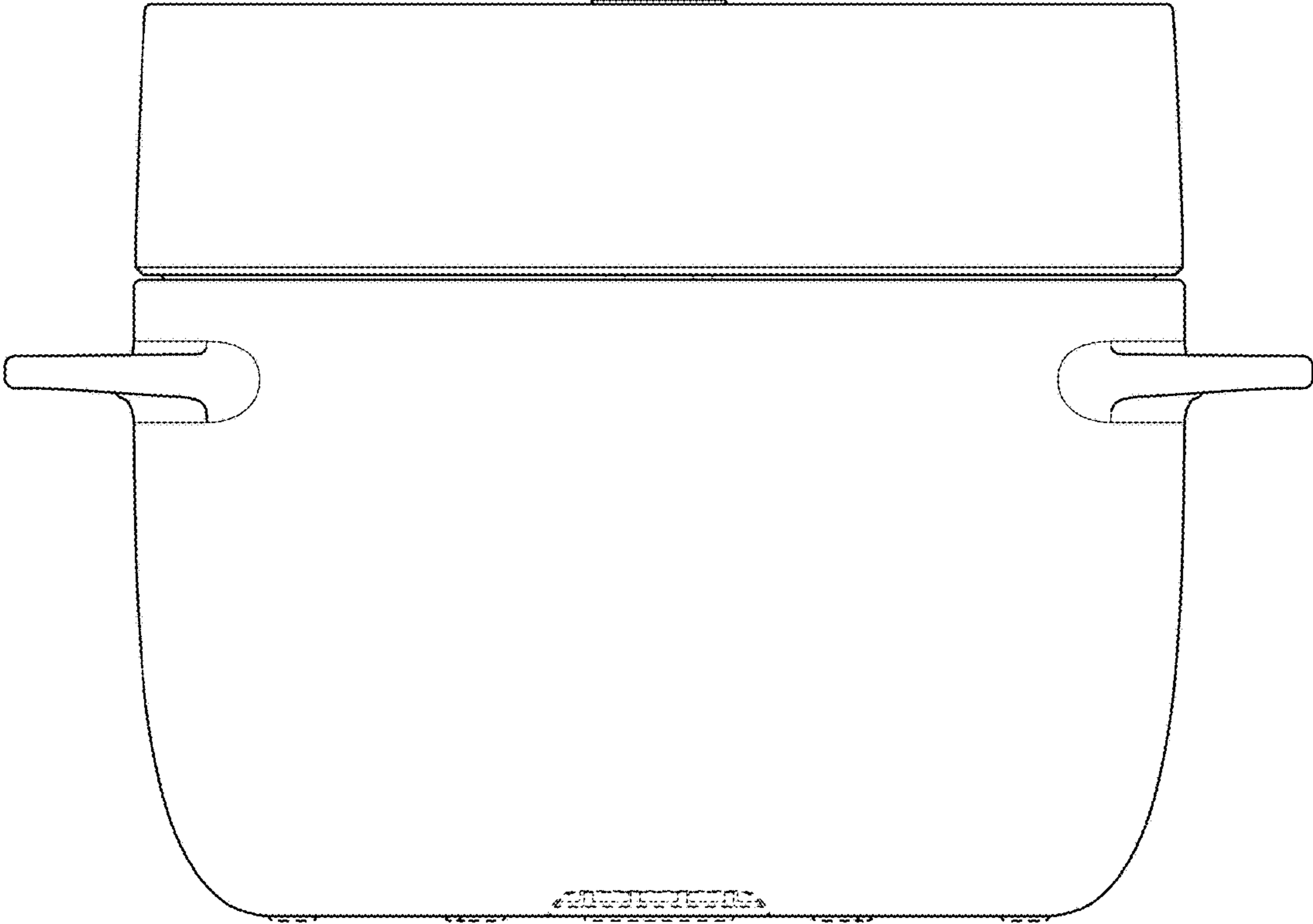
U.S. PATENT DOCUMENTS

D341,056 S * 11/1993 Powell D7/323
D427,481 S * 7/2000 De' Longhi D7/354
D427,841 S * 7/2000 De'Longhi D7/354

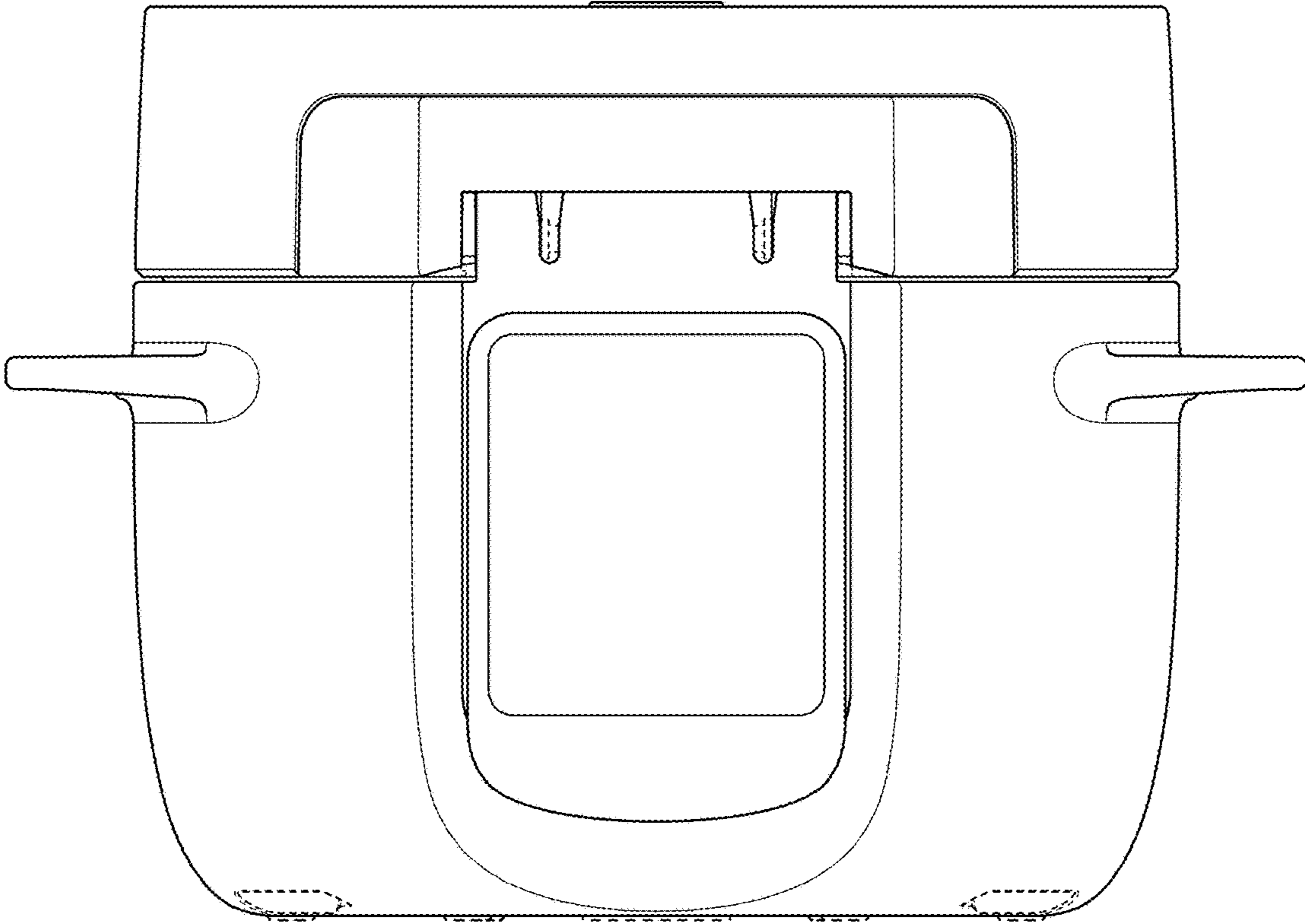
1 Claim, 8 Drawing Sheets



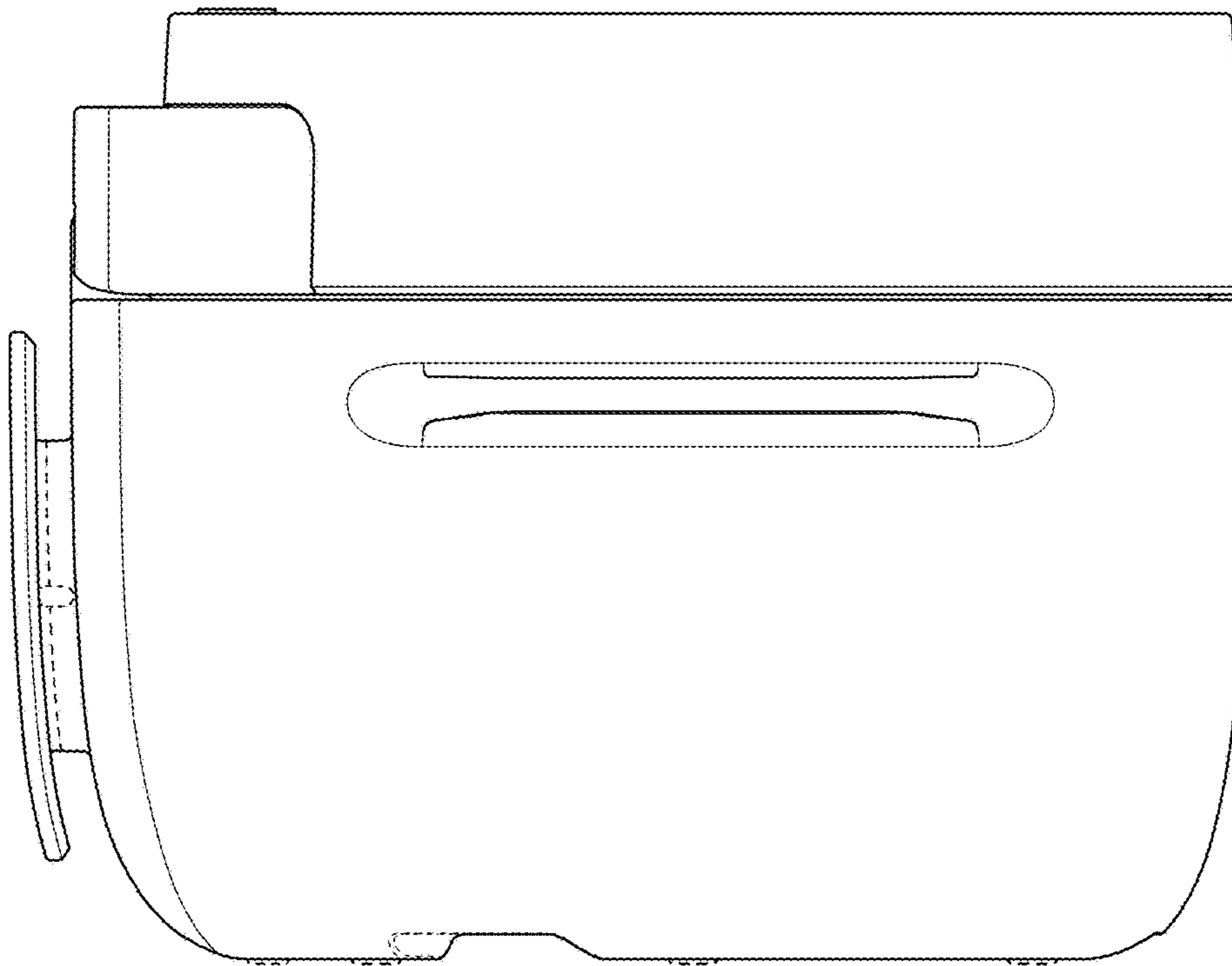
1. 1



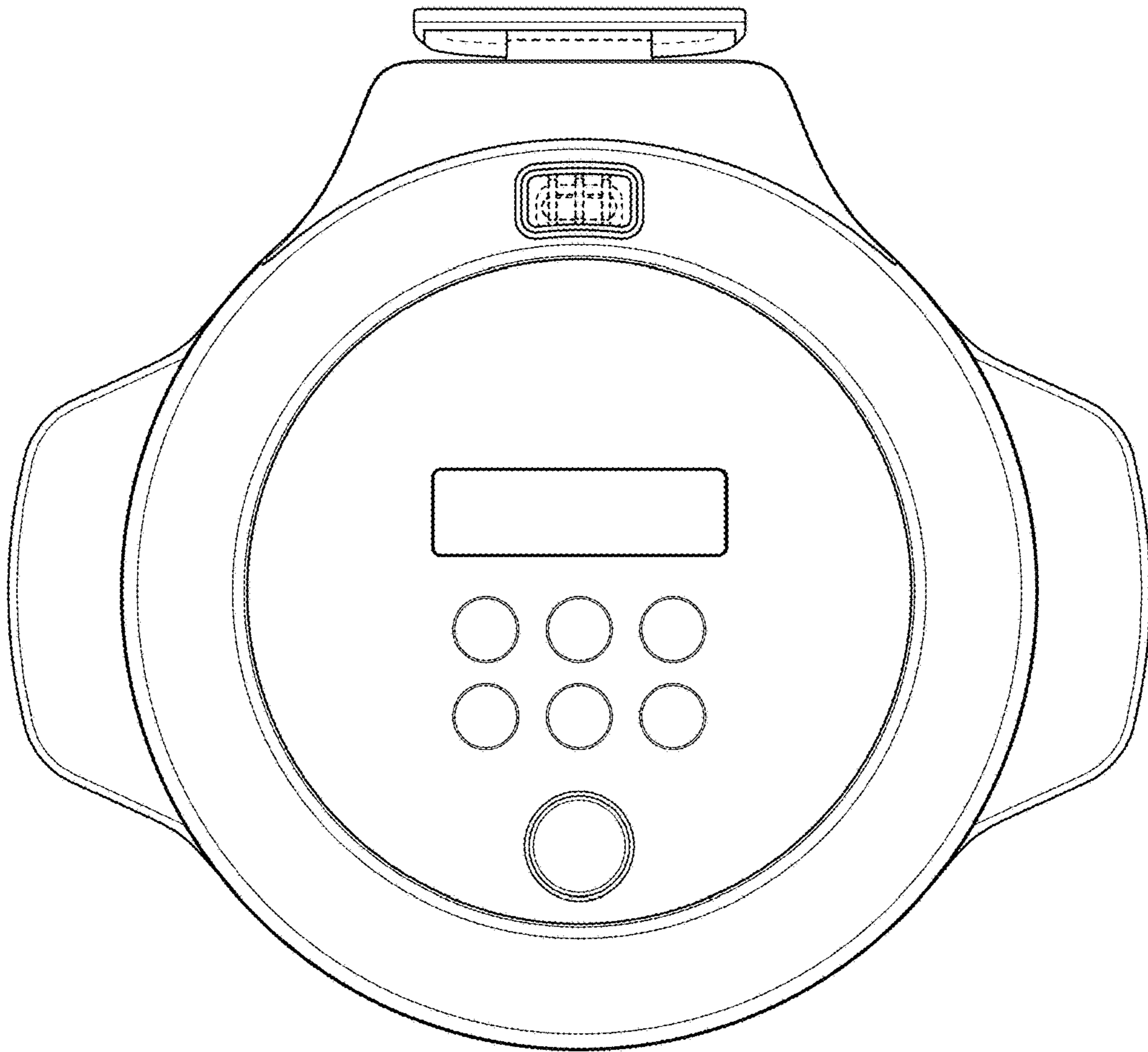
1. 2



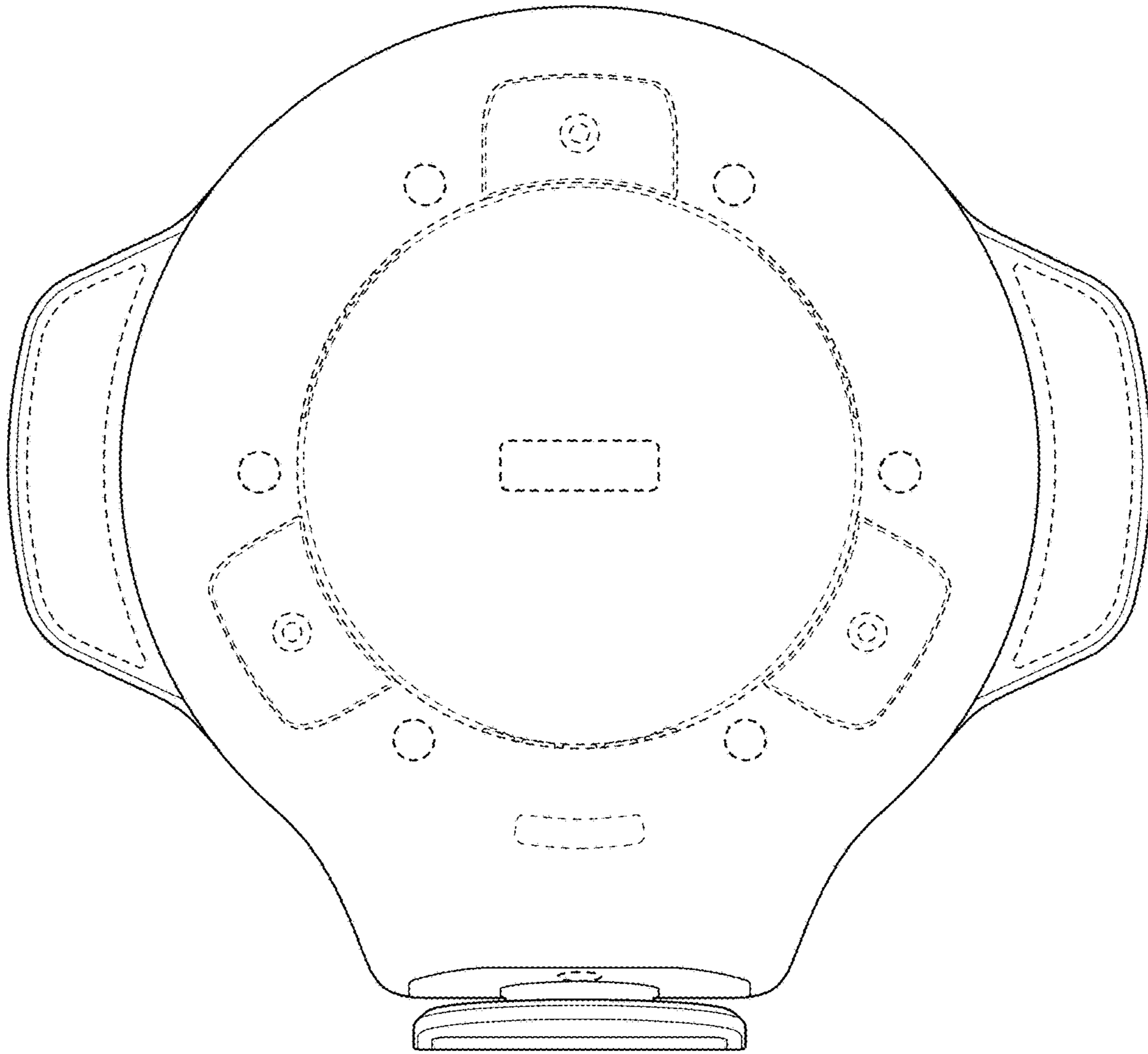
1. 3



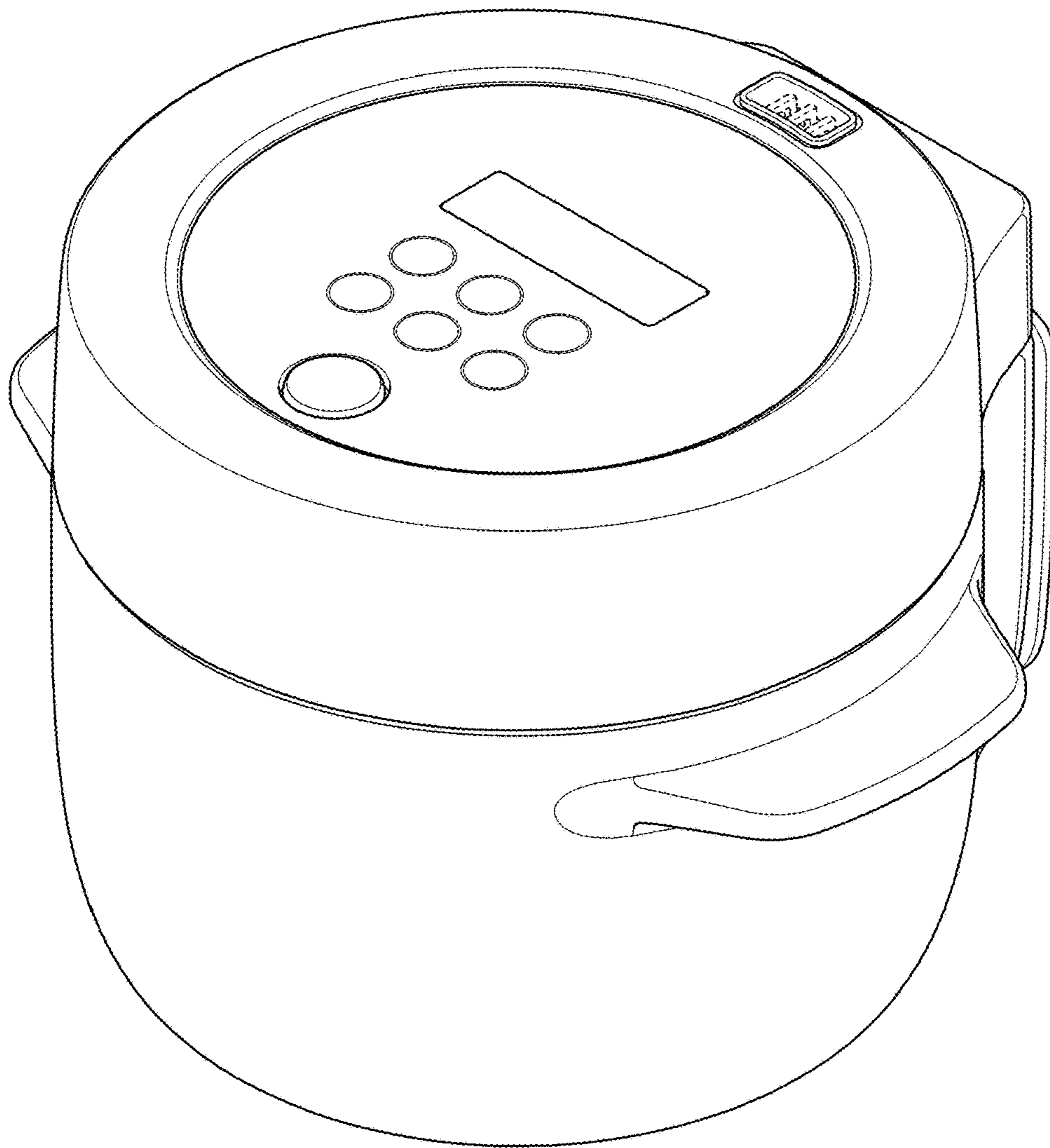
1.4



1.5



1. 6



1.7



1. 8

