



US00D850184S

(12) **United States Design Patent**
Marsh

(10) **Patent No.:** **US D850,184 S**
(45) **Date of Patent:** **** Jun. 4, 2019**

(54) **PORTABLE FLAME HEATED COOKER**

(71) Applicant: **Tom Marsh**, Jacksonville, FL (US)

(72) Inventor: **Tom Marsh**, Jacksonville, FL (US)

(**) Term: **15 Years**

(21) Appl. No.: **29/618,032**

(22) Filed: **Sep. 18, 2017**

(51) **LOC (11) Cl.** **07-02**

(52) **U.S. Cl.**

USPC **D7/354**

(58) **Field of Classification Search**

USPC D7/323, 354-363, 391, 393-396, 409,
D7/505

CPC A01K 1/0114; A47G 19/12; A47J 27/00;
A47J 27/002; A47J 27/004; A47J 27/04;
A47J 27/08; A47J 27/13; A47J 27/21;
A47J 27/58; A47J 36/025; A47J 36/027;
A47J 36/06; A47J 36/12; A47J 37/00;
A47J 37/10; A47J 37/101; A47J 37/103;
A47J 37/12; A47J 37/1204; A47J 45/061;
A47J 45/071; A47J 45/08; H05B 6/12

See application file for complete search history.

(56) **References Cited**

U.S. PATENT DOCUMENTS

1,651,442 A * 12/1927 Caskin A47J 27/04
126/369
3,278,074 A * 10/1966 Yamazaki A47J 27/13
220/212.5

D378,724 S * 4/1997 Young D7/360
7,114,459 B2 * 10/2006 Schmidt A01K 1/0114
119/161
D632,129 S * 2/2011 Chen D7/354
D635,819 S * 4/2011 Molayem D7/354
8,772,685 B2 * 7/2014 Backaert A47J 27/04
219/682
D762,084 S * 7/2016 Baba D7/354
2007/0158339 A1 * 7/2007 Beckman A47J 36/027
219/734
2009/0095169 A1 * 4/2009 York A47J 27/004
99/448

* cited by examiner

Primary Examiner — Ricky Pham

(74) *Attorney, Agent, or Firm* — Matthew P. Davies

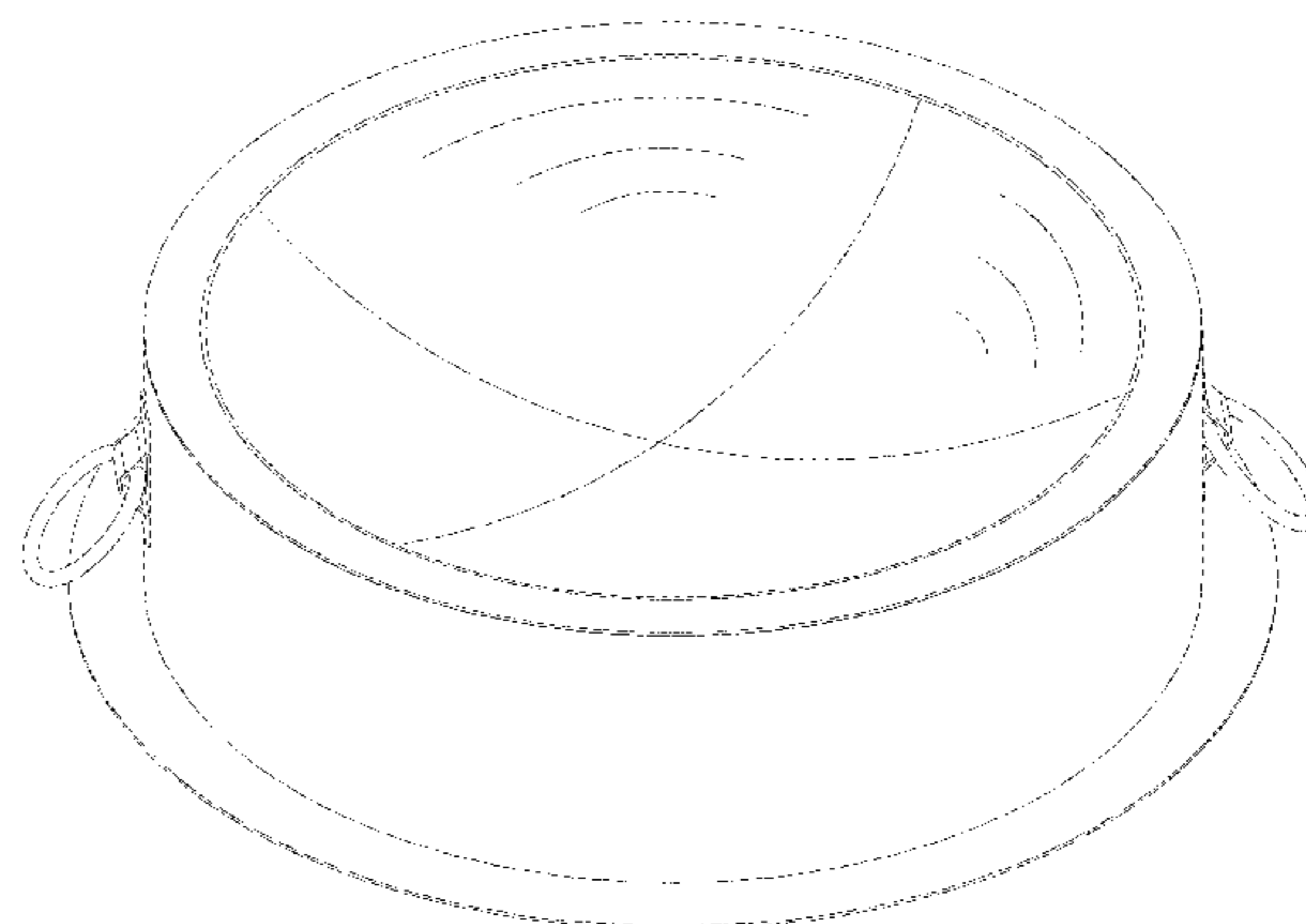
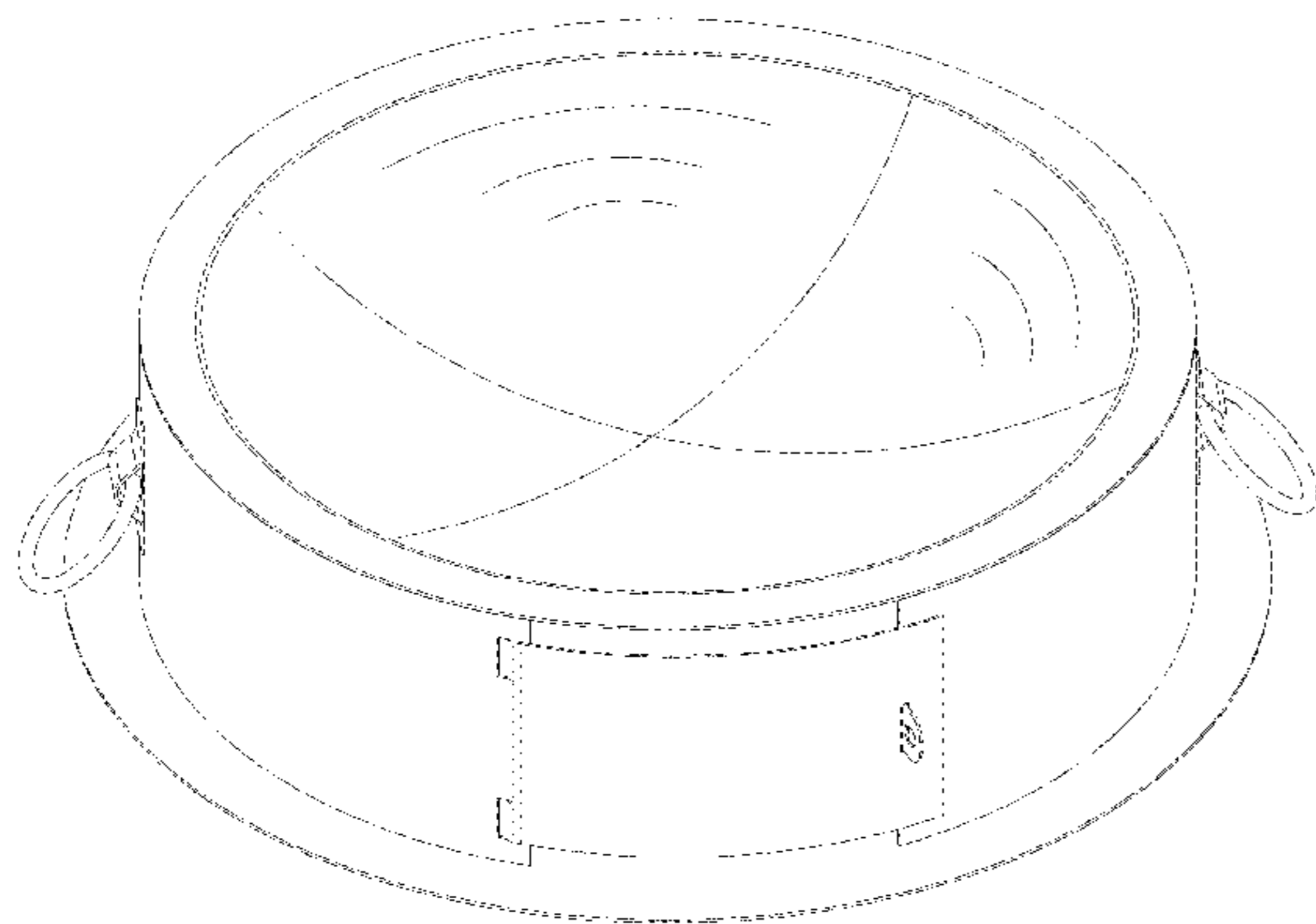
(57) **CLAIM**

The ornamental design for a portable flame heated cooker, as shown and described.

DESCRIPTION

FIG. 1. is an isometric view of the front of a portable flame heated cooker showing the access door and concave top; FIG. 2. is an isometric view of the back of a portable flame heated cooker showing concave top and side handles; and, FIG. 3. is an isometric view of the side of a portable flame heated cooker showing the concave top.

1 Claim, 3 Drawing Sheets



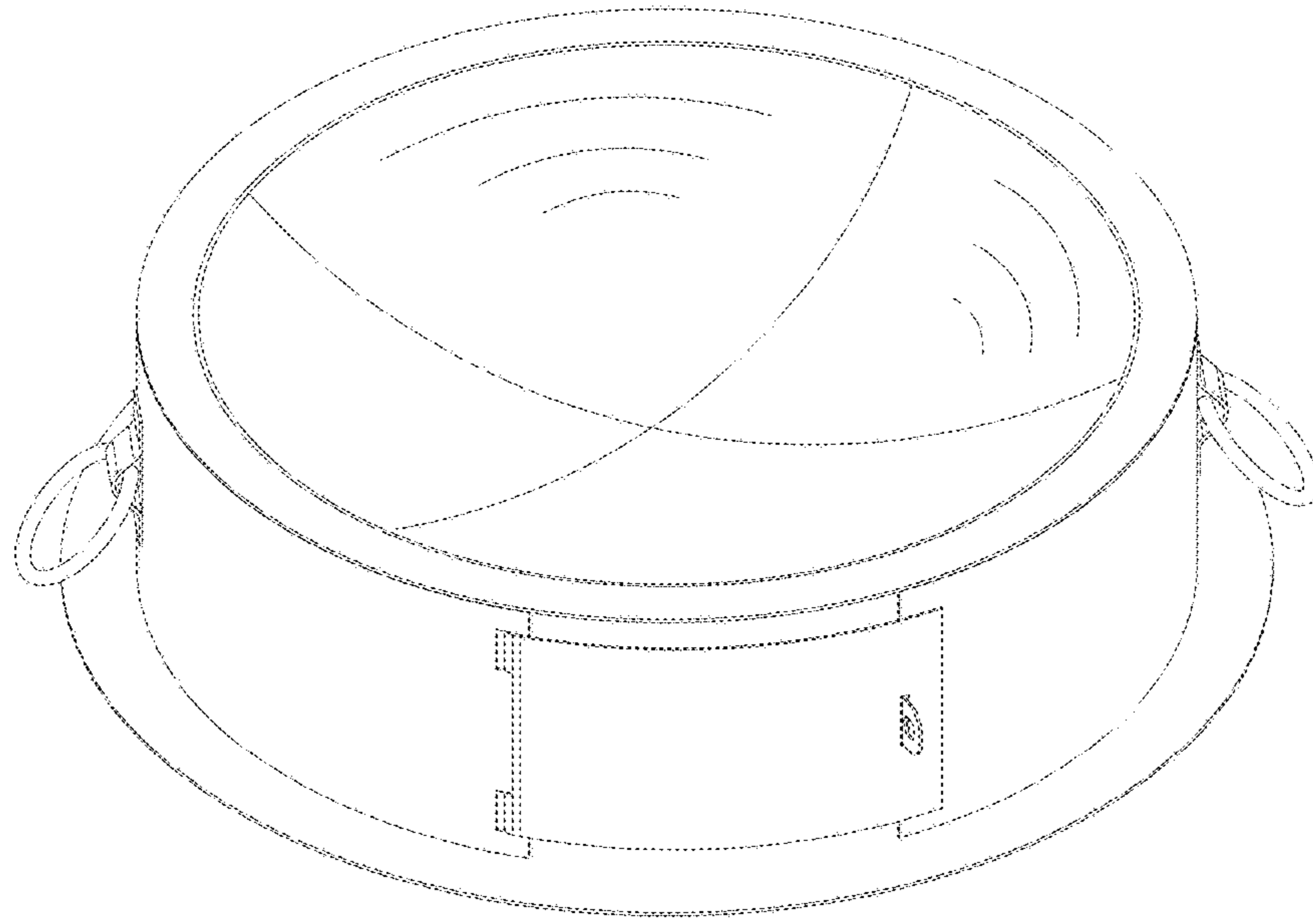


Fig. 1

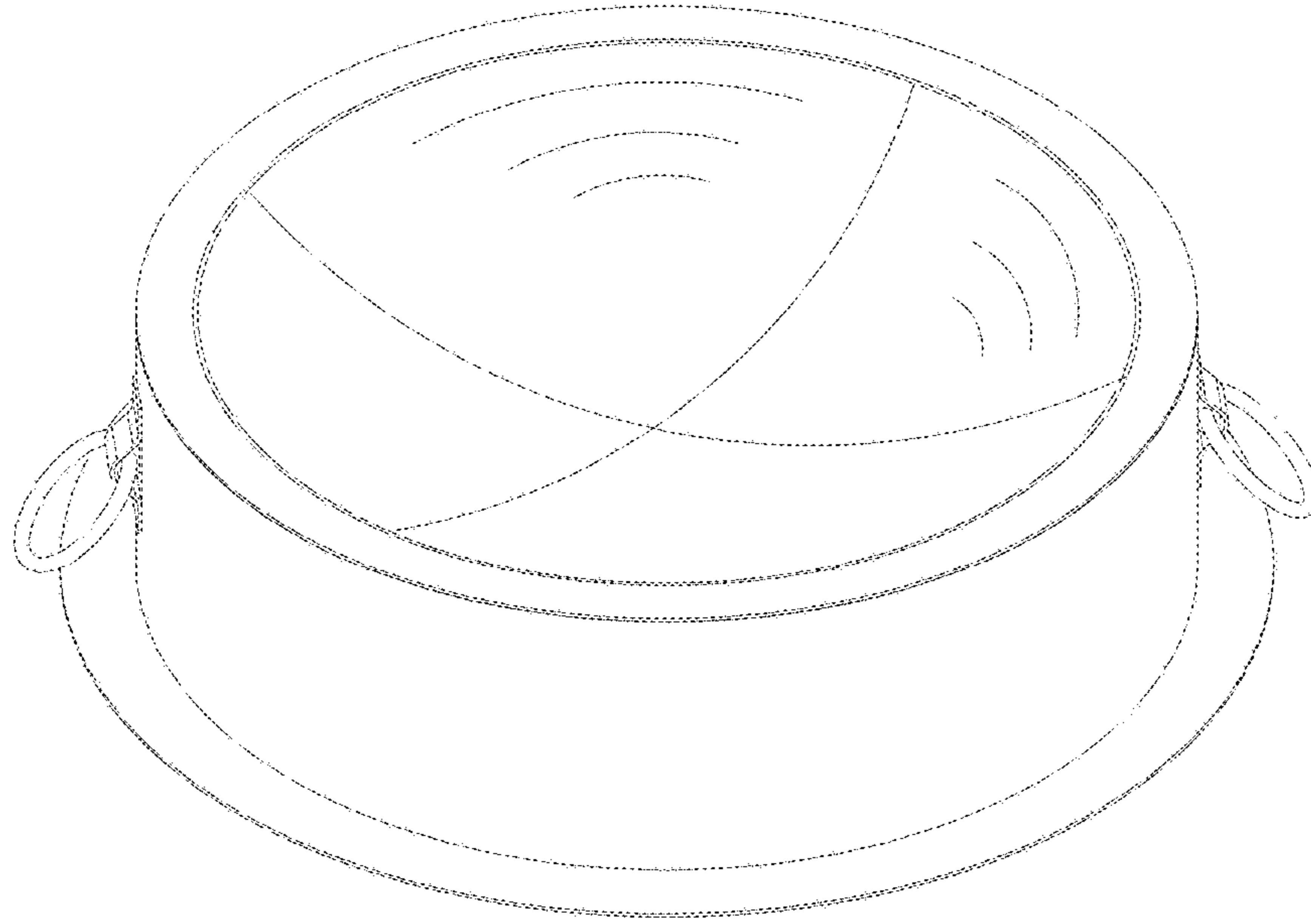


Fig. 2

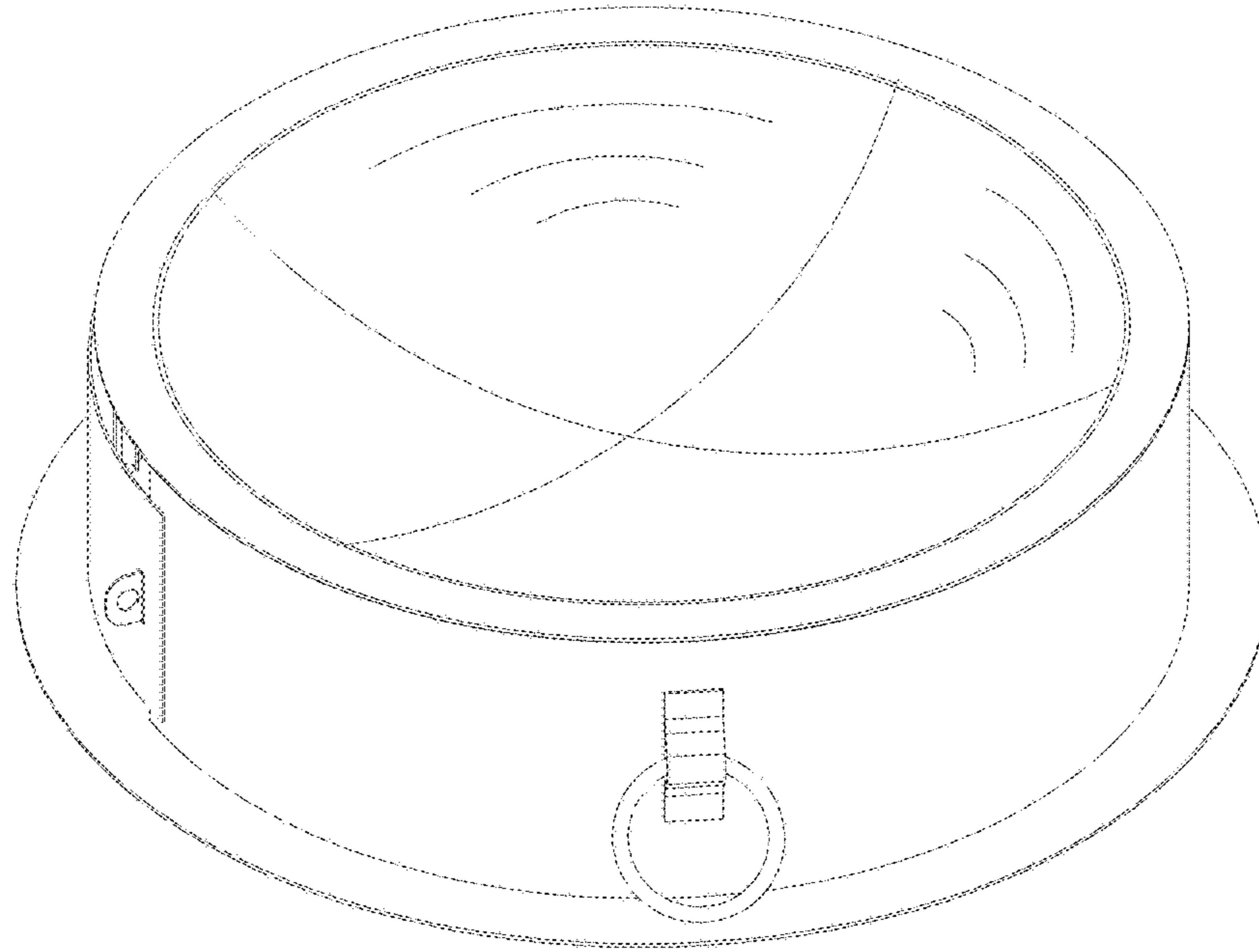


Fig.3