



US00D850180S

(12) **United States Design Patent**  
**Kanju**

(10) **Patent No.:** **US D850,180 S**

(45) **Date of Patent:** **\*\* Jun. 4, 2019**

(54) **CURVED CANOPY BED HEADBOARD**

2016/0166072 A1\* 6/2016 Edwards ..... A47B 81/005  
5/308

(71) Applicant: **Patrick Kanju**, Morrisville, NC (US)

\* cited by examiner

(72) Inventor: **Patrick Kanju**, Morrisville, NC (US)

*Primary Examiner* — Cathron C Brooks

(\*\*) Term: **15 Years**

(57) **CLAIM**

(21) Appl. No.: **29/634,071**

The ornamental design for a curved canopy bed headboard, as shown and described.

(22) Filed: **Jan. 18, 2018**

**DESCRIPTION**

(51) **LOC (11) Cl.** ..... **06-06**

(52) **U.S. Cl.**

USPC ..... **D6/718.3**

(58) **Field of Classification Search**

USPC .... D6/382–385, 388, 389, 393–394, 718.13,  
D6/718.14, 718.23

CPC ..... A47C 17/00; A47C 19/00; A47C 19/02;  
A47C 19/022

See application file for complete search history.

FIG. 1 is a top perspective view of a curved canopy bed headboard showing my new design;  
FIG. 2 is a bottom perspective view thereof;  
FIG. 3 is a front view thereof;  
FIG. 4 is a back view thereof;  
FIG. 5 is a top view thereof;  
FIG. 6 is a bottom view thereof;  
FIG. 7 is a left view thereof;  
FIG. 8 is a right view thereof; and,  
FIG. 9 is a top perspective view thereof.

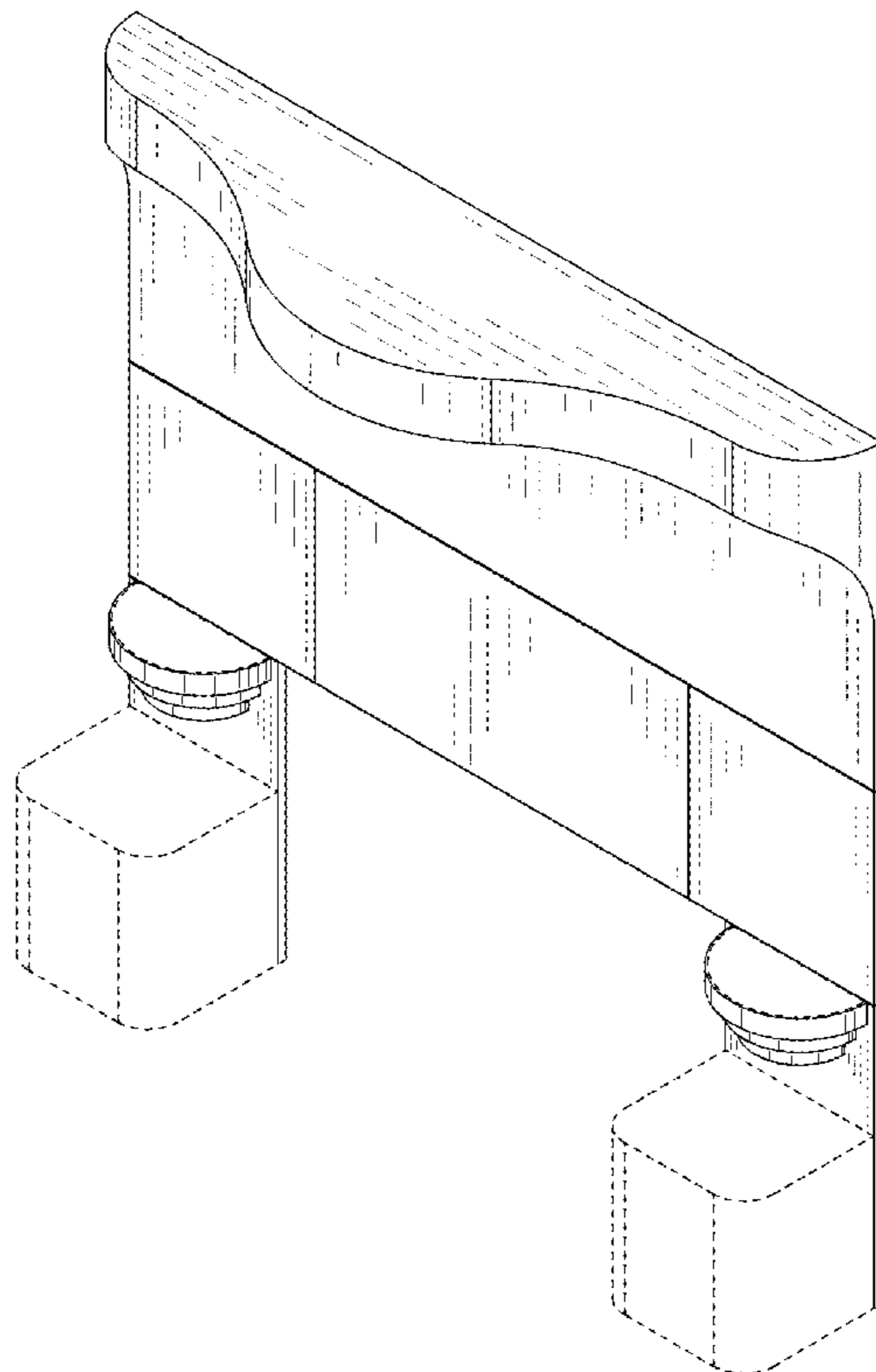
The broken lines showing of orifices in FIG. 1 and FIG. 9, the broken lines showing of drawers in FIG. 1-3 and FIG. 5-9, and the broken lines showing of a bed in FIG. 10 are included for the purpose of showing environmental structure and form no part of the claimed design.

(56) **References Cited**

**U.S. PATENT DOCUMENTS**

D340,533 S	*	10/1993	Beaulieu	.....	D25/58
D341,498 S	*	11/1993	Ball	.....	D6/383
D565,333 S	*	4/2008	Mohundro	.....	D6/718.22
D664,373 S	*	7/2012	Pamudji	.....	D6/393
D807,674 S	*	1/2018	Floco	.....	D6/718.3

**1 Claim, 9 Drawing Sheets**



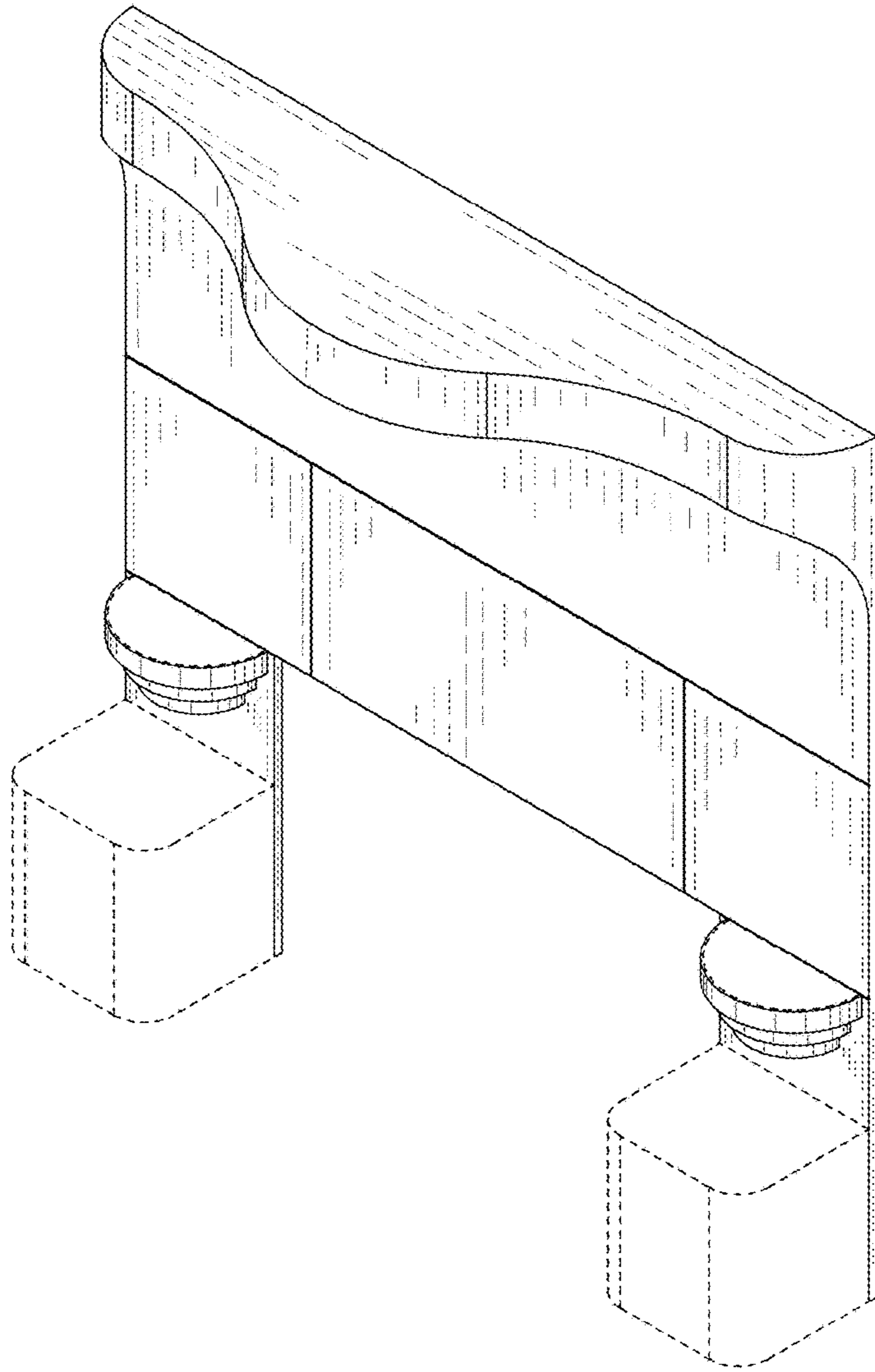


FIG. 1

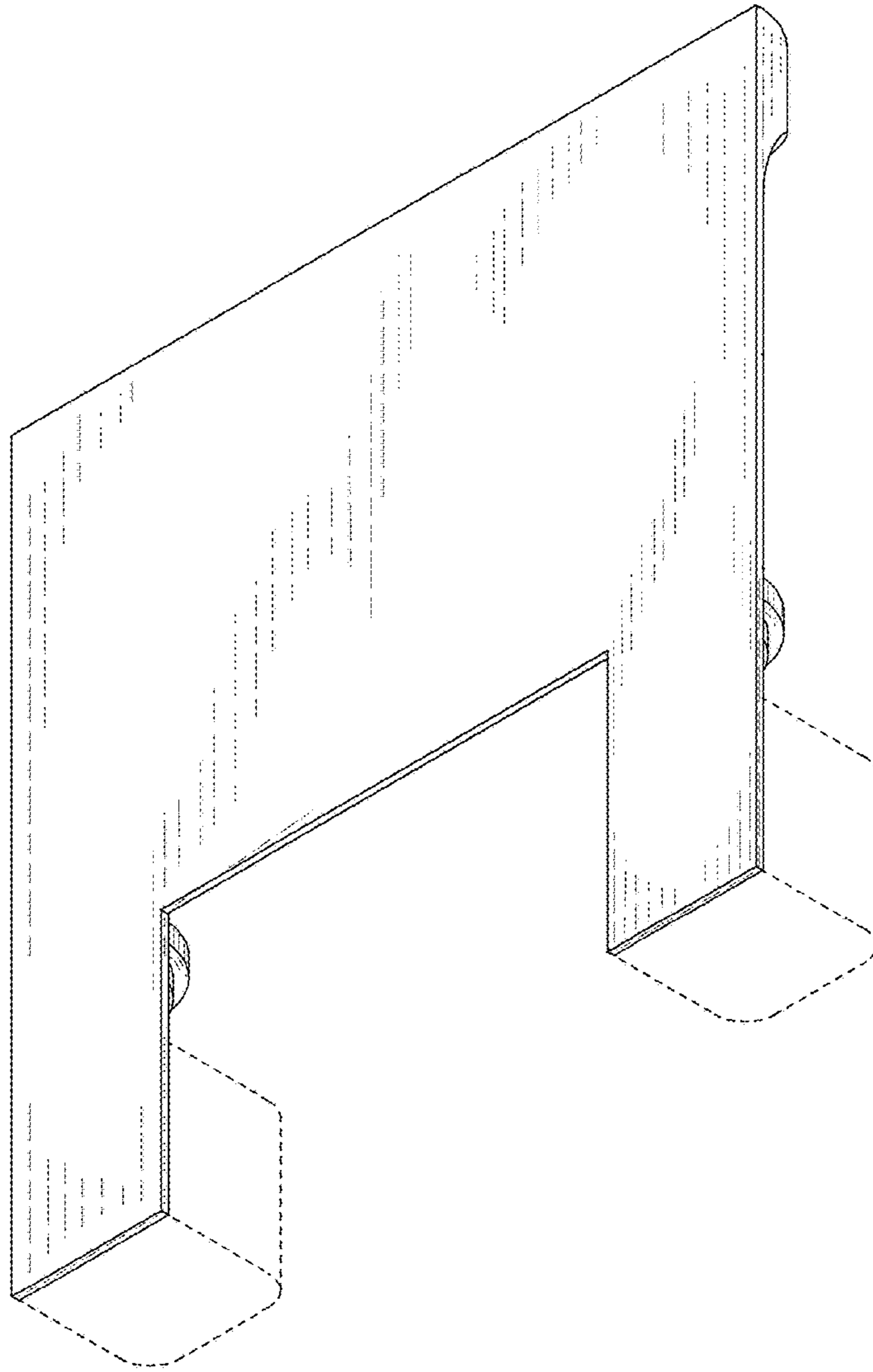


FIG. 2

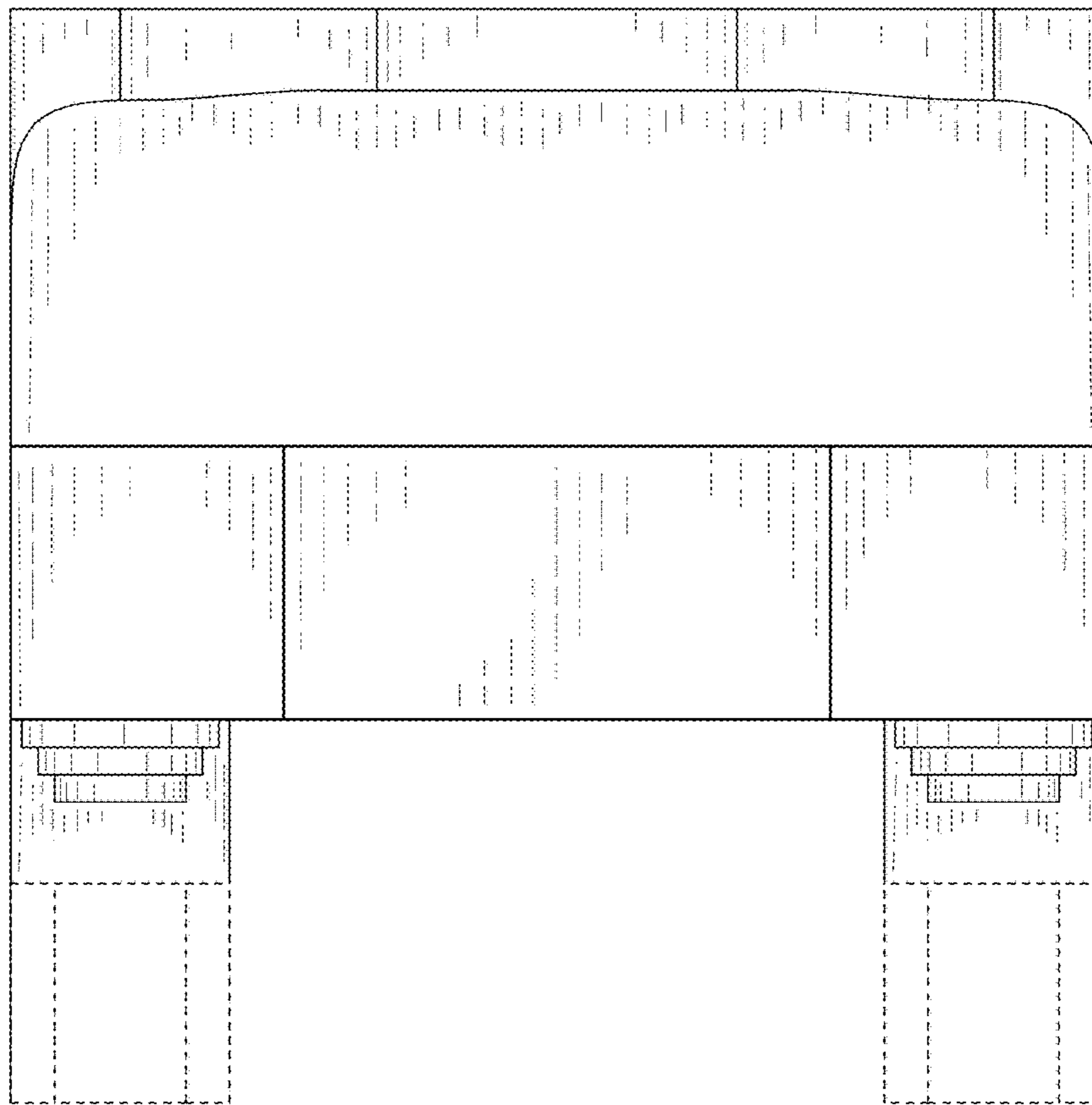


FIG. 3

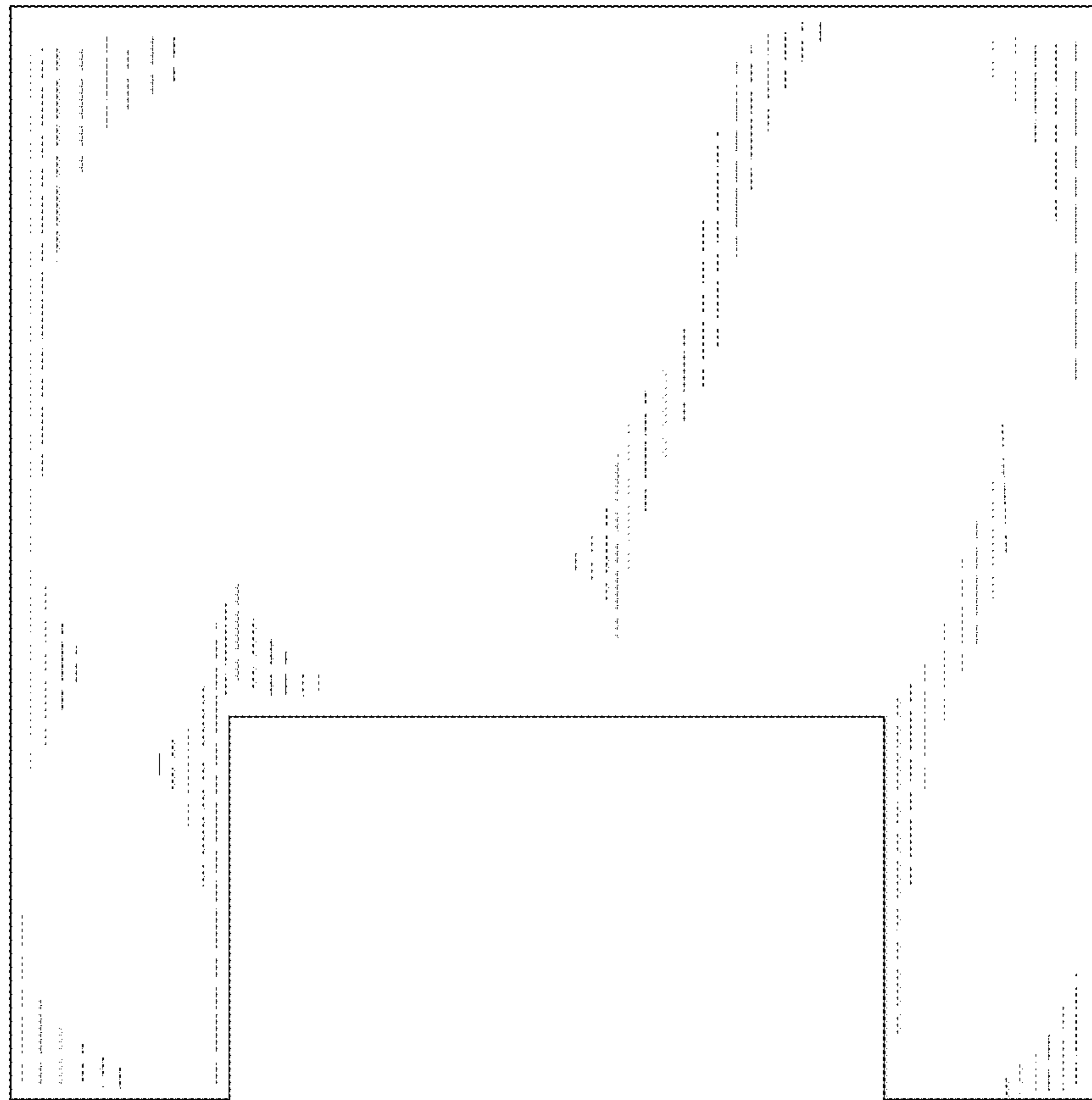


FIG. 4

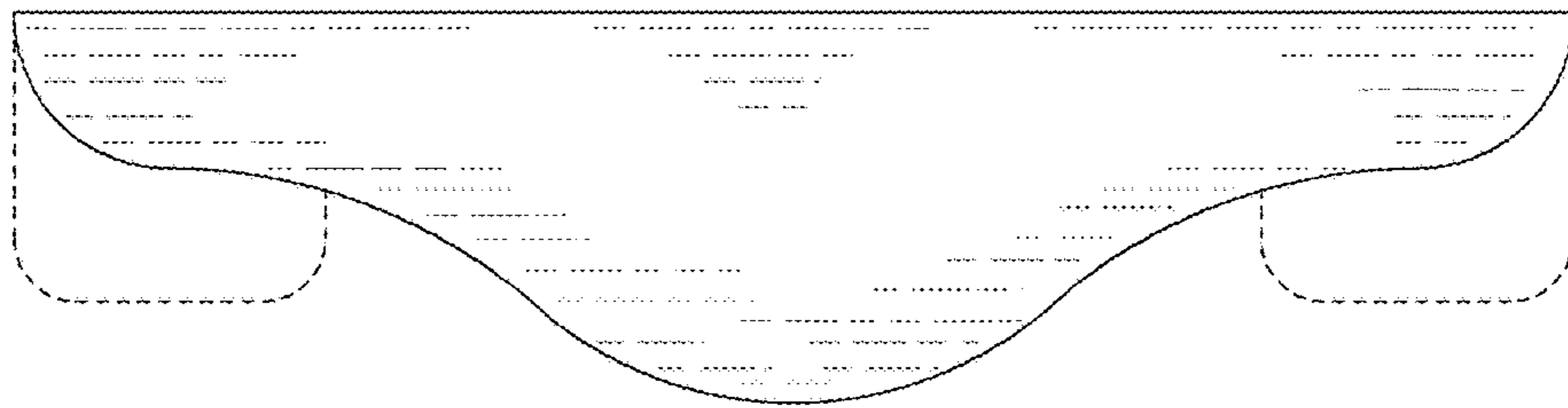


FIG. 5

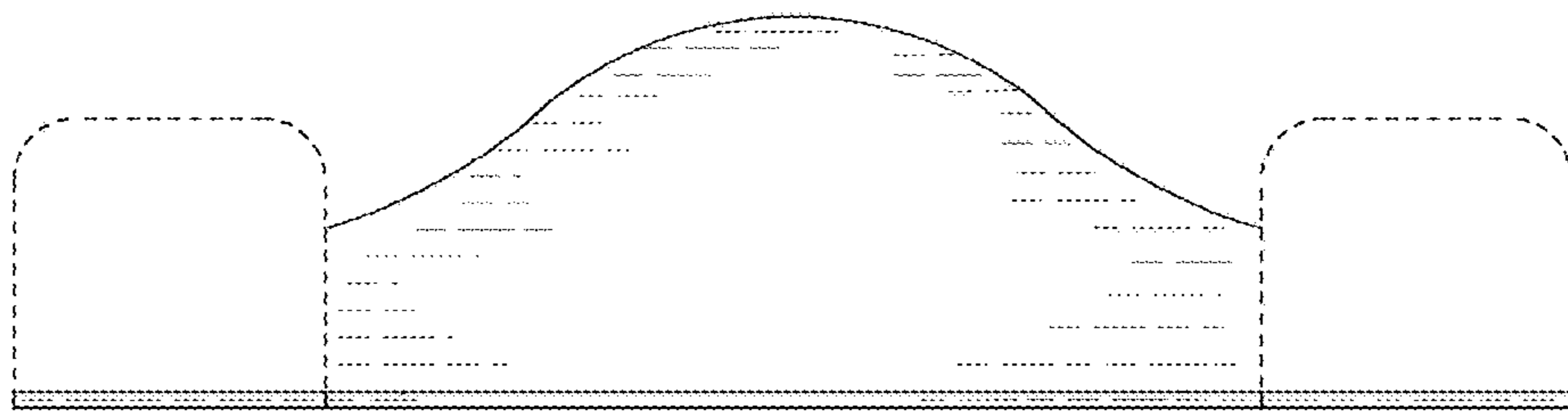


FIG. 6

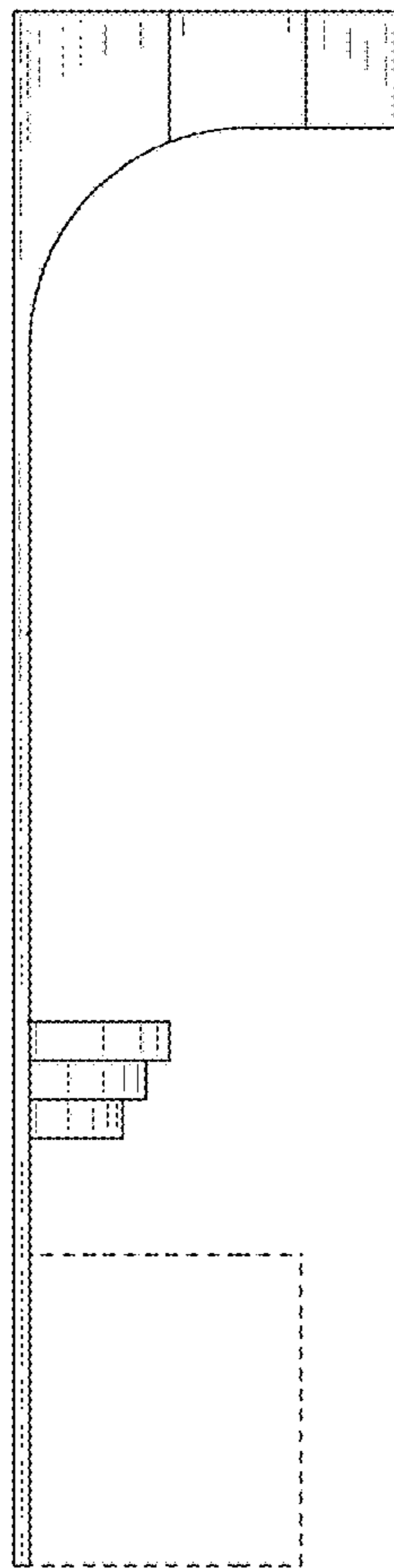


FIG. 7



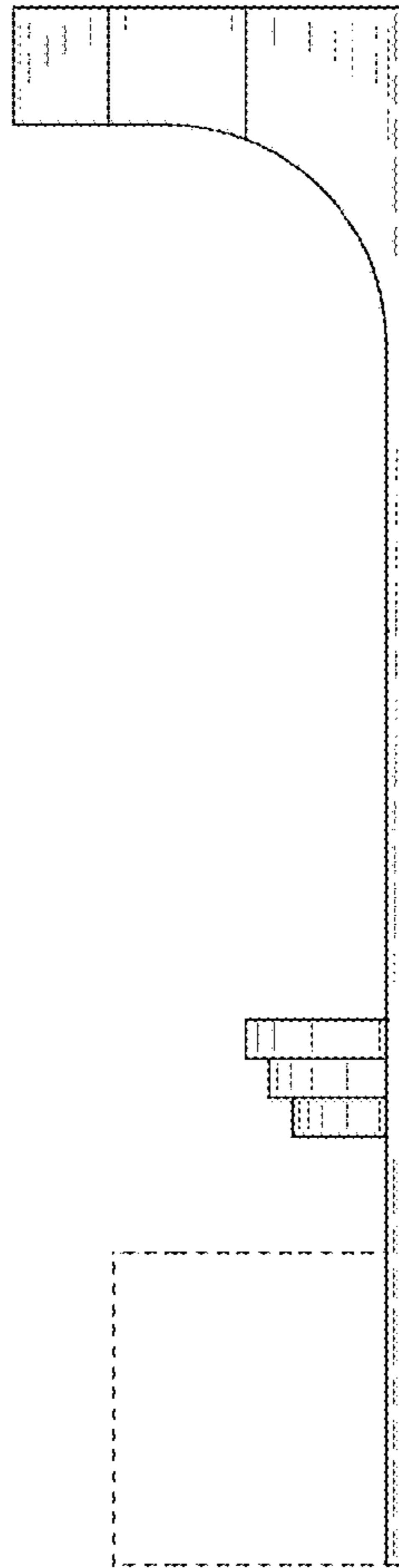


FIG. 8

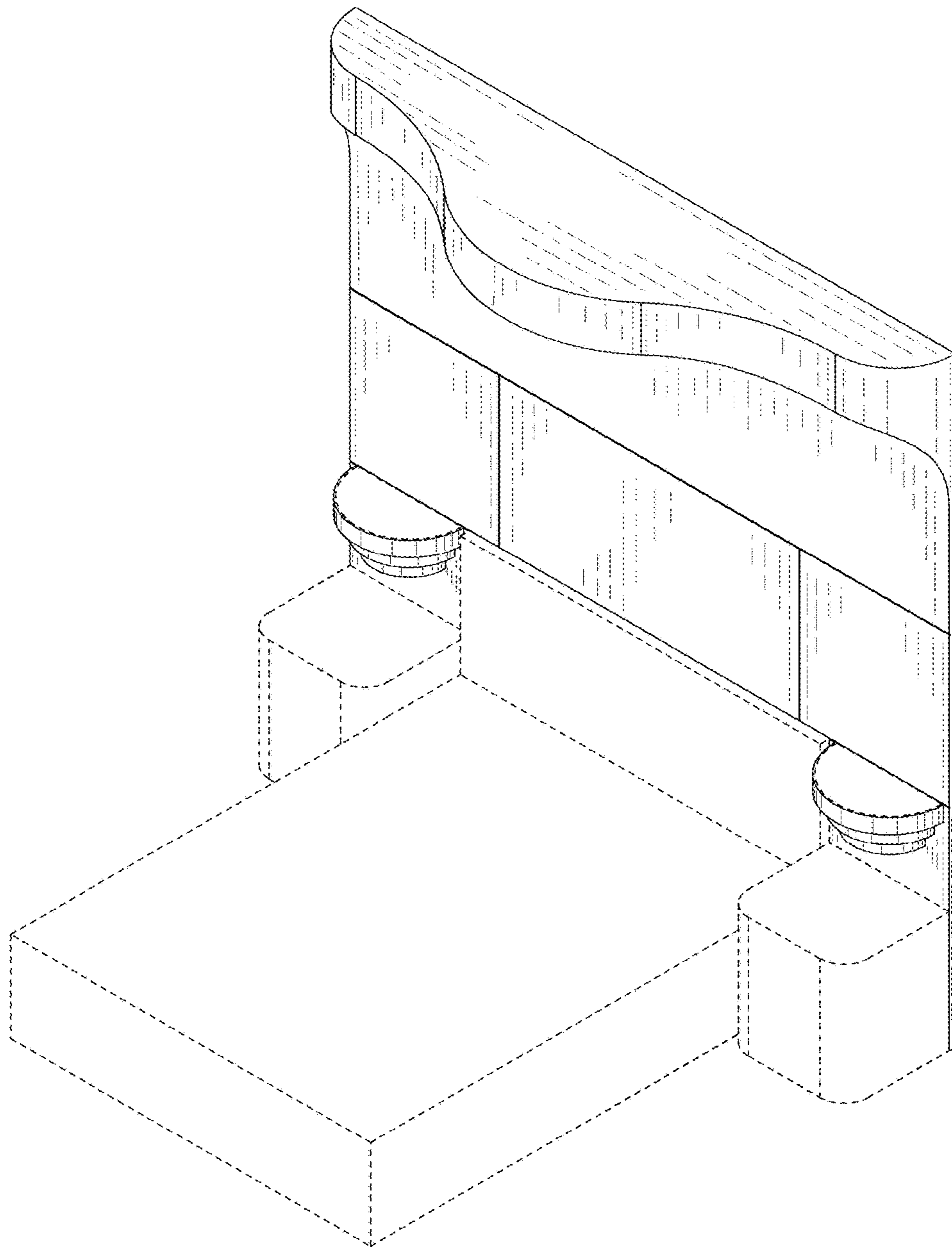


FIG. 9