



US00D850176S

(12) **United States Design Patent** (10) **Patent No.:** **US D850,176 S**
Lin (45) **Date of Patent:** **** Jun. 4, 2019**

- (54) **FEET OF A DESK**
- (71) Applicants: **Yi-Chen Tseng**, Taichung (TW);
HI-MAX INNOVATION CO., LTD.,
Taichung (TW)
- (72) Inventor: **Jhih-Fan Lin**, Taichung (TW)
- (73) Assignees: **Yi-Chen Tseng**, Taichung (TW);
Hi-Max Innovation Co., Ltd.,
Taichung (TW)
- (**) Term: **15 Years**
- (21) Appl. No.: **29/633,794**
- (22) Filed: **Jan. 16, 2018**
- (51) **LOC (11) Cl.** **06-06**
- (52) **U.S. Cl.**
USPC **D6/710**
- (58) **Field of Classification Search**
USPC D6/652, 654, 654.1, 654.17, 655, 655.1,
D6/655.11, 655.13, 655.14, 655.18, 656,
D6/656.12, 656.13, 656.15, 656.16,
D6/656.17, 656.19, 675, 686, 687, 688,
D6/691, 698, 707.19, 708.21, 709,
D6/709.18, 709.2, 709.21, 709.22, 710,
D6/711, 712
CPC .. A47B 3/00; A47B 3/08; A47B 3/083; A47B
3/087; A47B 21/00; A47B 21/02; A47B
21/03; A47B 21/06; A47B 21/0073; A47B
21/0076; A47B 21/0314
See application file for complete search history.

(56) **References Cited**

U.S. PATENT DOCUMENTS

D330,302 S *	10/1992	Heidmann	D6/709
D336,393 S *	6/1993	Saotome	D6/656.17
5,447,099 A *	9/1995	Adams	A47B 9/04 108/147
D372,817 S *	8/1996	Stevens	D6/698
D410,806 S *	6/1999	Olson	D6/656.16

6,029,587 A *	2/2000	Rozier, Jr.	A47B 9/14 108/147.21
D512,589 S *	12/2005	Montague, III	D6/709.2
D516,344 S *	3/2006	Cox	D6/709
D574,164 S *	8/2008	Lambert	D6/656
D644,860 S *	9/2011	Saito	D6/656.17
2002/0069794 A1 *	6/2002	Dame	A47B 13/003 108/50.01
2004/0194670 A1 *	10/2004	Lai	A47B 21/00 108/50.02

OTHER PUBLICATIONS

Student Height Adjustable Desk, posted at Hi-max.com.tw, posted on Nov. 30, 2018, site visited Dec. 7, 2018. online, available from internet: https://webcache.googleusercontent.com/search?q=cache:Ql2rWnnbyfegJ:https://www.hi-max.com.tw/product_detail.php%3Fsn%3D9+&cd=2&hl=en&ct=clnk&gl=us.*

* cited by examiner

Primary Examiner — Mary Ann Calabrese

Assistant Examiner — Catherine Ho

(74) *Attorney, Agent, or Firm* — Wang Law Firm, Inc.

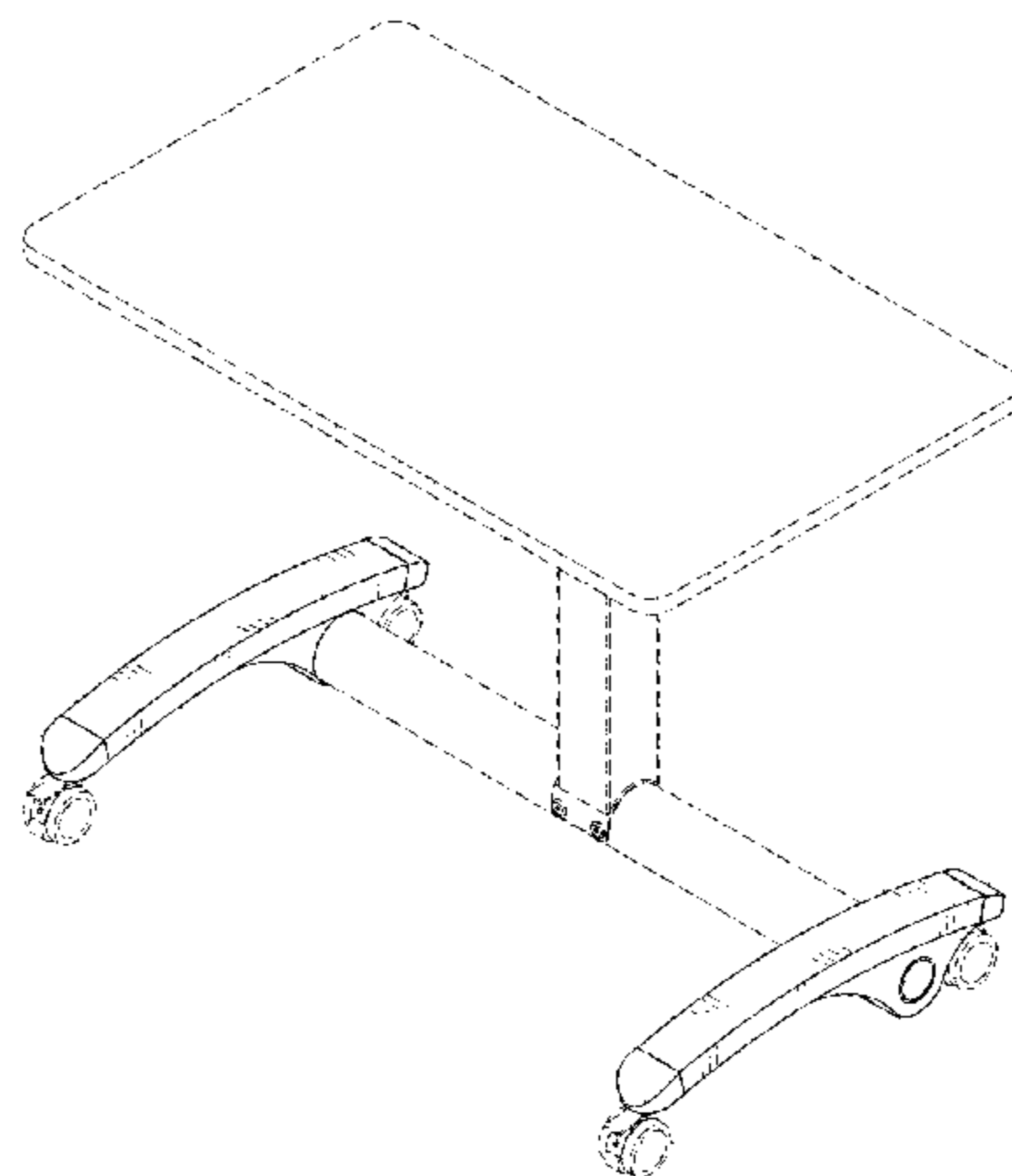
(57) **CLAIM**

The ornamental design for feet of a desk, as shown and described.

DESCRIPTION

FIG. 1 is a perspective view of feet of a desk, showing my new design;
 FIG. 2 is a front view thereof;
 FIG. 3 is a rear view thereof;
 FIG. 4 is a left view thereof;
 FIG. 5 is a right view thereof;
 FIG. 6 is a top view thereof; and,
 FIG. 7 is a bottom view thereof.
 All broken line portion of the figure drawings is included to show portions of the article that form no part of the claimed design.

1 Claim, 7 Drawing Sheets



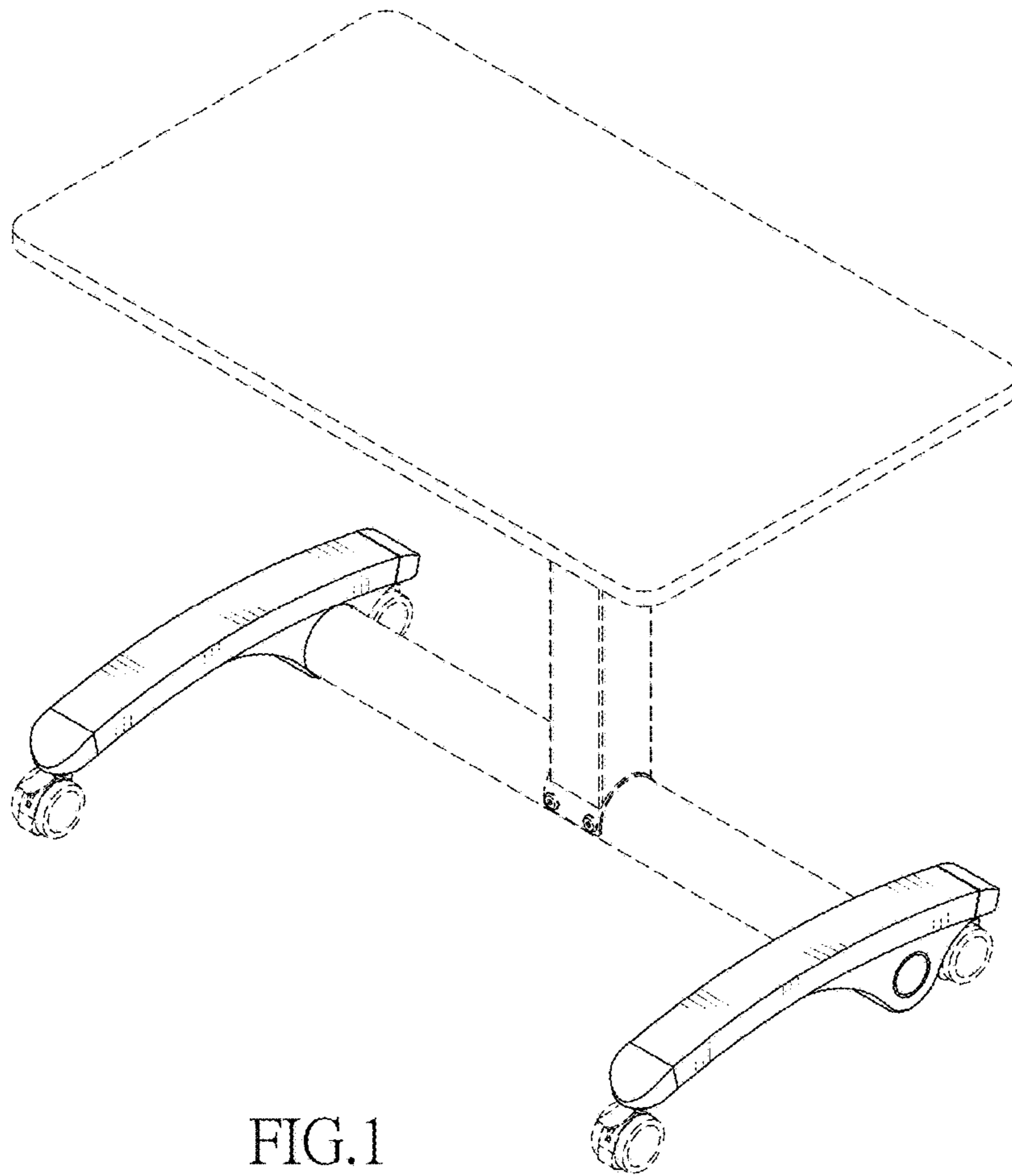


FIG. 1

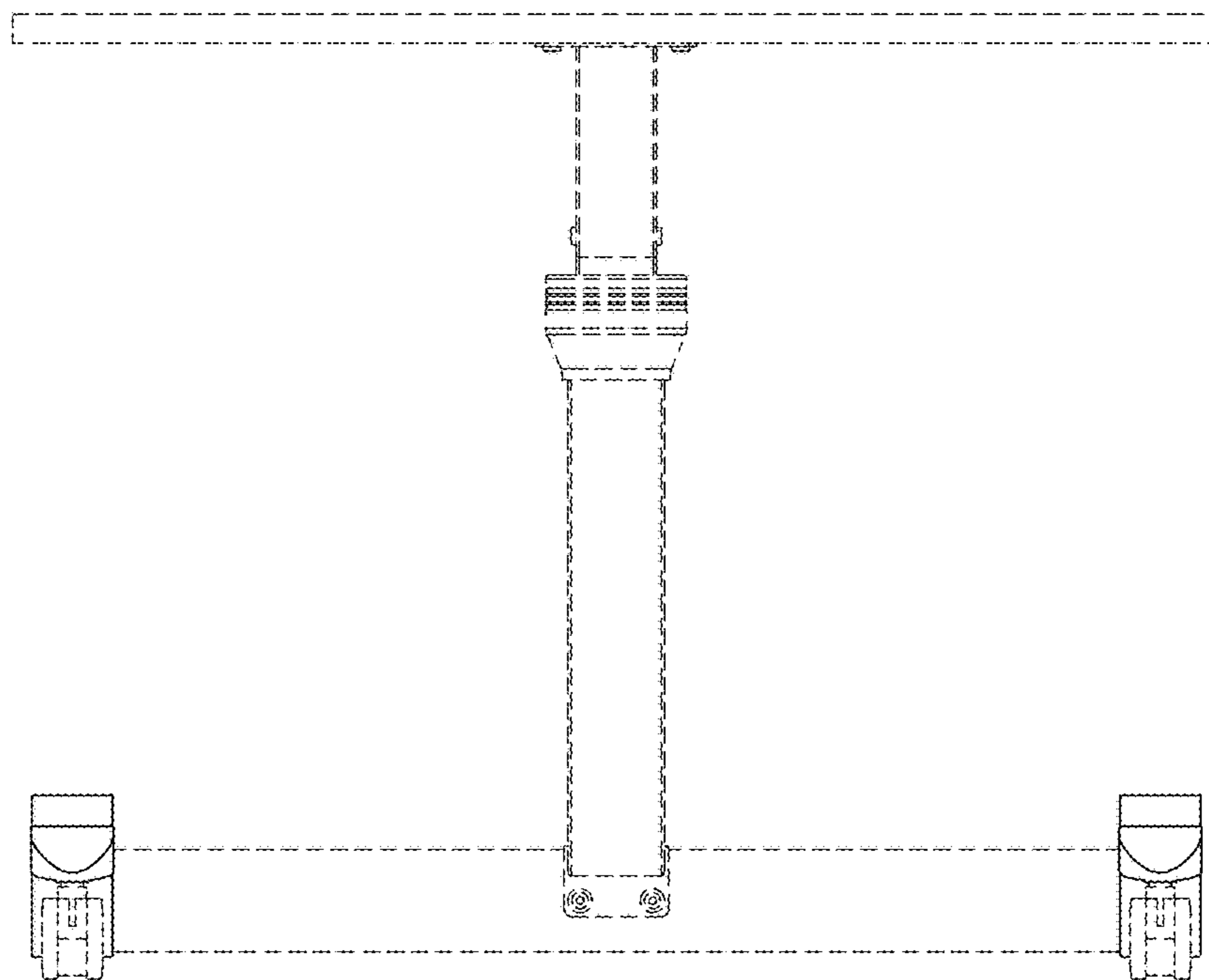


FIG.2

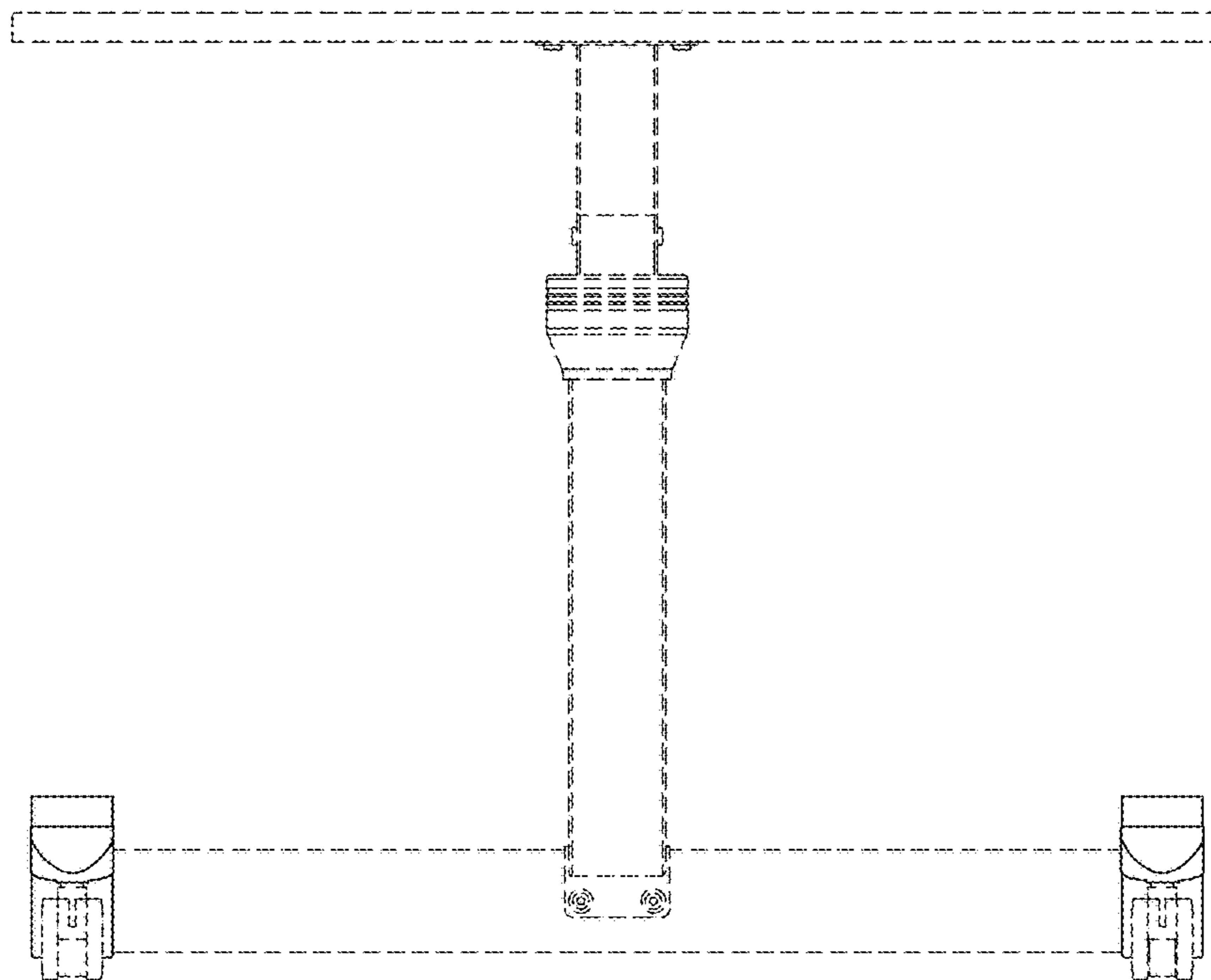


FIG.3

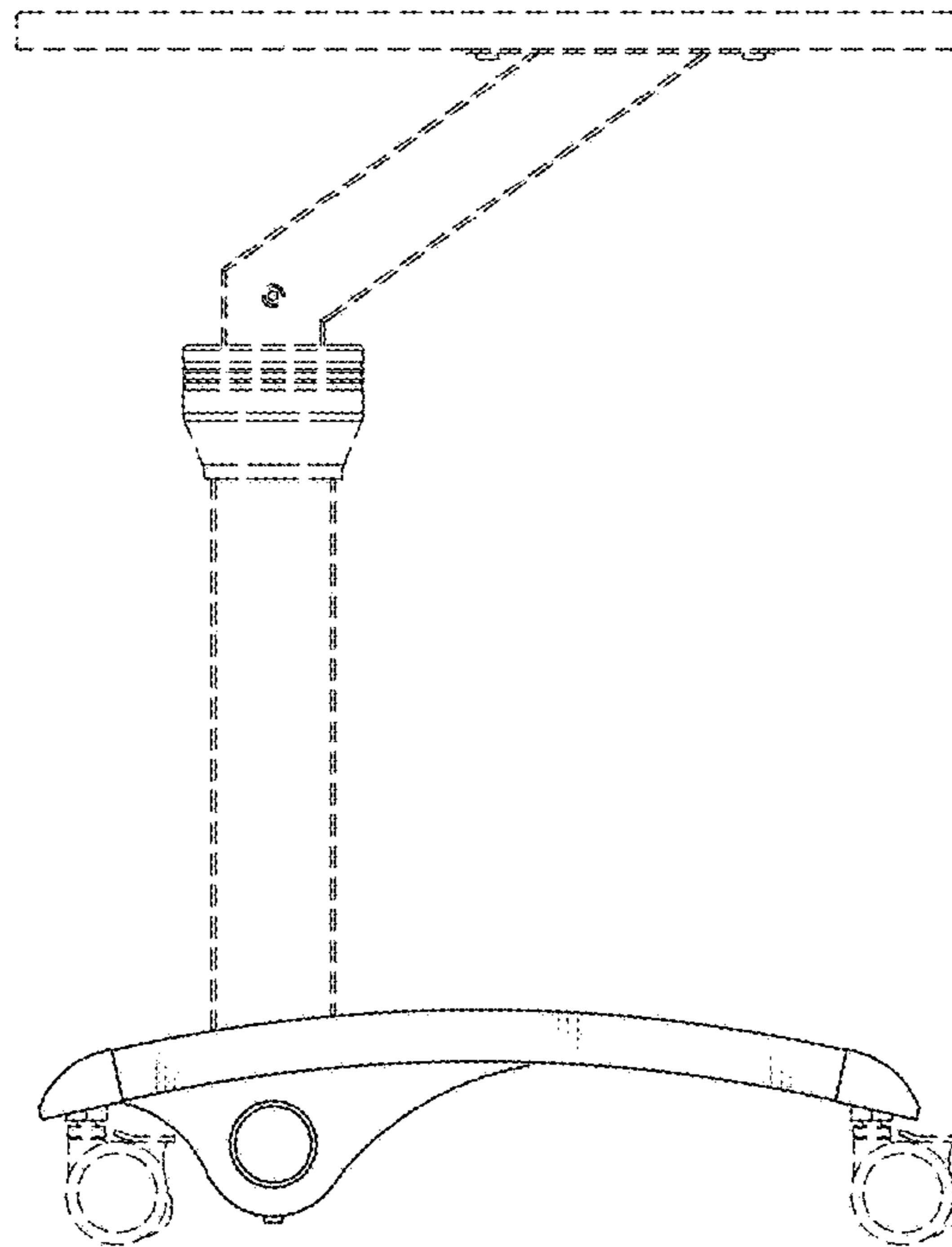


FIG.4

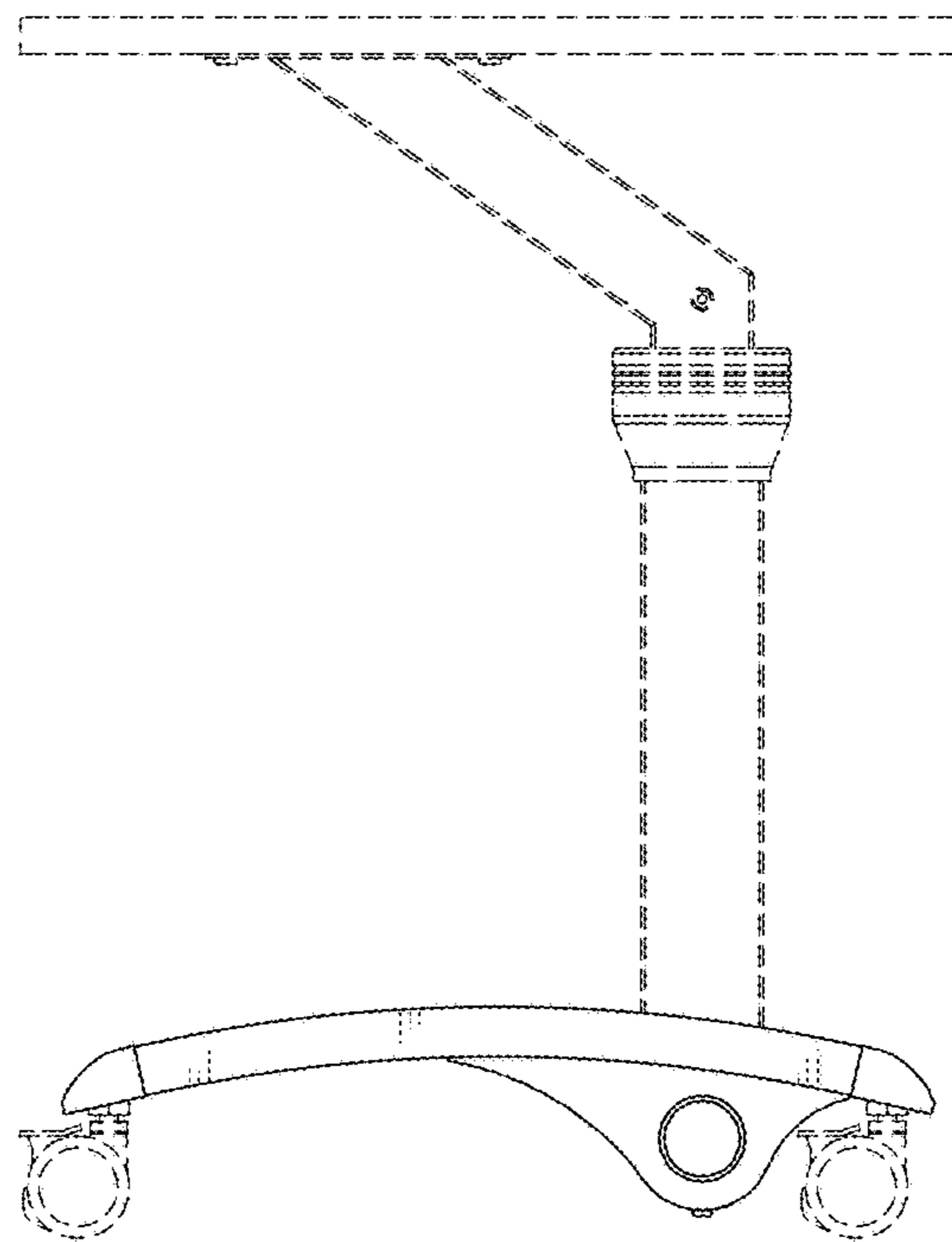


FIG.5



FIG.6

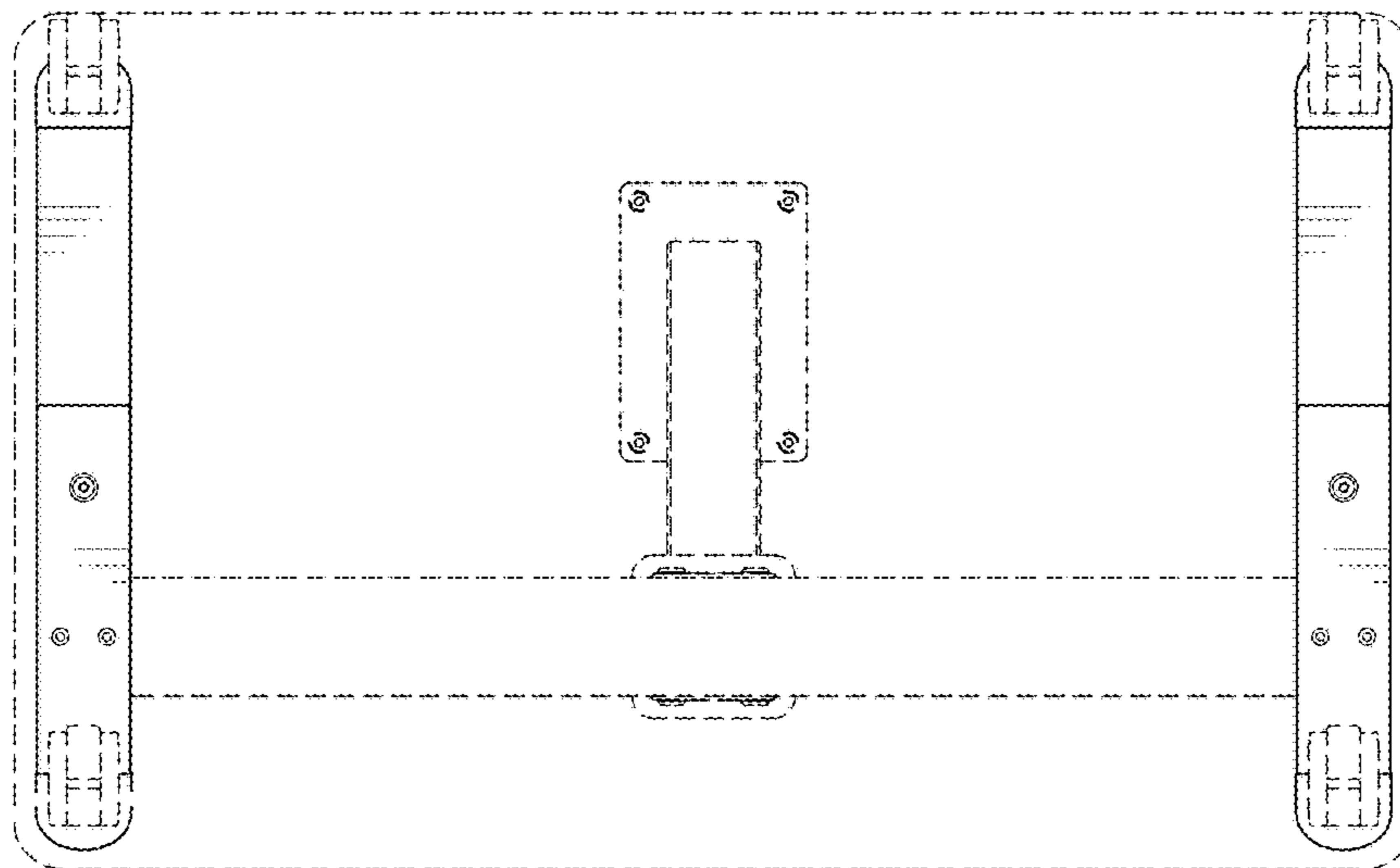


FIG.7